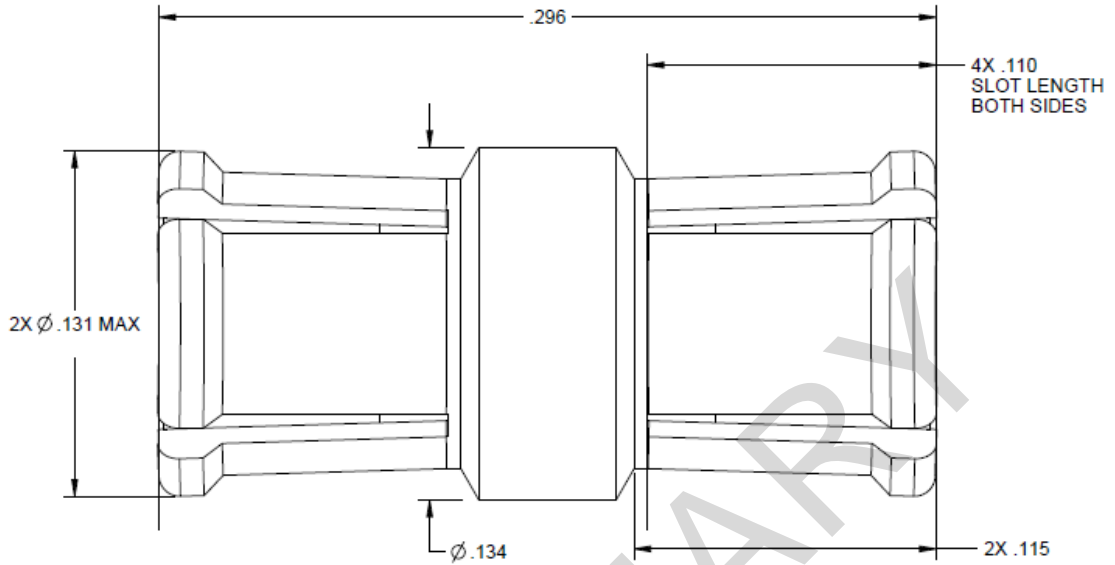


SMP

Female to Female Bullet,  
.296" length

**19K1RN19-K36D3**



All dimensions are in inches  
Unless otherwise specified tolerances are as follows:  
.XXX±.002

**Interface**

According to Rosenberger SMP Interface standards and latest revision of MIL-STD-348

**Material and plating**

**Connector parts**  
Body and Contact

**Material**  
BeCu per ASTM B196

**Plating**  
Hard gold per ASTM B488, 50µIN min, over Nickel per AMS-QQ-N-290, 50µIN min

Dielectric PTFE per ASTM D1710

**PROPRIETARY AND CONFIDENTIAL**  
 This data sheet is the property of Rosenberger North America Akron, LLC. By acceptance of this document, you agree that all the rights to drawings, specifications, processes, and other data therein, as well as the proprietary and novel features of the subject matter, are reserved by Rosenberger North America Akron, LLC, and are disclosed in confidence. They are not to be manufactured, used, sold, or disclosed to others, nor are devices embodying such features or information derived from these disclosures to be used or disclosed unless and until expressly authorized by Rosenberger North America Akron, LLC. These drawings, specifications, processes, etc., are and remain the property of Rosenberger North America Akron, LLC, and are not to be copied or reproduced without permission.

# Technical Data Sheet

# Rosenberger

SMP

Female to Female Bullet,  
.296" length

19K1RN19-K36D3

### Electrical data (@ STP unless otherwise specified)

Impedance (nominal)	50 Ω
Frequency	DC to 26.5 GHz
VSWR	≤ 1.35:1, DC to 26.5 GHz
Insertion loss	≤ .25 dB to 26.5 GHz
Insulation resistance	≥ 5 GΩ
Center contact resistance	≤ 6.0 mΩ
Outer contact resistance	≤ 2.0 mΩ
Test Voltage	500 V rms
RF High Potential	325 V rms @ 5 MHz

### Mechanical data

Mating cycles	
Full Detent	≥ 100
Limited Detent	≥ 500
Smooth Bore	≥ 1000
Engagement force (max)	
Full Detent	15 lbf
Limited Detent	10 lbf
Smooth Bore	2 lbf
Disengagement force (min)	
Full Detent	5 lbf
Limited Detent	2 lbf
Smooth Bore	0.5 lbf

### Environmental data

Temperature range	-55°C to +155°C
Thermal shock	MIL-STD-202 – 107, Condition B
Vibration	MIL-STD-202 – 204, Condition B
Shock	MIL-STD-202 – 213, Condition A
Moisture resistance	MIL-STD-202 – 106, except Step 7B
2002/95/EC (RoHS)	compliant

**PROPRIETARY AND CONFIDENTIAL**  
 This data sheet is the property of Rosenberger North America Akron, LLC. By acceptance of this document, you agree that all the rights to drawings, specifications, processes, and other data therein, as well as the proprietary and novel features of the subject matter, are reserved by Rosenberger North America Akron, LLC, and are disclosed in confidence. They are not to be manufactured, used, sold, or disclosed to others, nor are devices embodying such features or information derived from these disclosures to be used or disclosed unless and until expressly authorized by Rosenberger North America Akron, LLC. These drawings, specifications, processes, etc., are and remain the property of Rosenberger North America Akron, LLC, and are not to be copied or reproduced without permission.

PRELIMINARY

Draft	Date	Approved	Date	Rev.	Engineering change number	Name	Date
L.Evangelista	9/21/23	B.Fisher	9/22/23	200	OAL change from .309 to .296	L.Evangelista	9/26/23

Rosenberger North America Akron, LLC P.O. Box 309 Akron, PA USA 17501 <a href="http://www.rosenbergerna.com">www.rosenbergerna.com</a>				Tel. : +1.717.859.8900 Fax : +1.717.859.7044 Email : <a href="mailto:info@rosenbergerna.com">info@rosenbergerna.com</a>		Page 2 / 2	
--	--	--	--	---	--	---------------	--

## X-ON Electronics

Largest Supplier of Electrical and Electronic Components

*Click to view similar products for [RF Adapters - In Series](#) category:*

*Click to view products by [Rosenberger](#) manufacturer:*

Other Similar products are found below :

[5918-1103-000](#) [5919-9503-000](#) [651A505](#) [R114703000W](#) [R142720000W](#) [R222M40050](#) [R223703180](#) [HRM-513S](#) [KC-79-179](#) [KN-99-14](#)  
[252169-75](#) [252186](#) [R142710000](#) [R142723000](#) [R161703000](#) [R161715000W](#) [R405005000](#) [KA-99-56](#) [KC-59-270](#) [KC-59-284](#) [KC-79-131](#)  
[KC-99-35](#) [KC-99-40](#) [756-18-9](#) [84004734](#) [R164705000](#) [R222M40080](#) [R124720003W](#) [R142723000W](#) [R222M40060](#) [755-93-7](#) [3094317](#)  
[5917-9103-000](#) [920-56](#) [R125704001](#) [R143753000W](#) [R143720000](#) [9176-9113-000](#) [R222M40107](#) [R114009000](#) [R124720003](#) [AD48](#) [ADP-](#)  
[NF-NF](#) [R142562290](#) [ADAPT/SMAM/SMAM/RP](#) [CT3388](#) [CT2765](#) [2477400-1](#) [142-0901-431](#) [53BK501-K00N1](#)