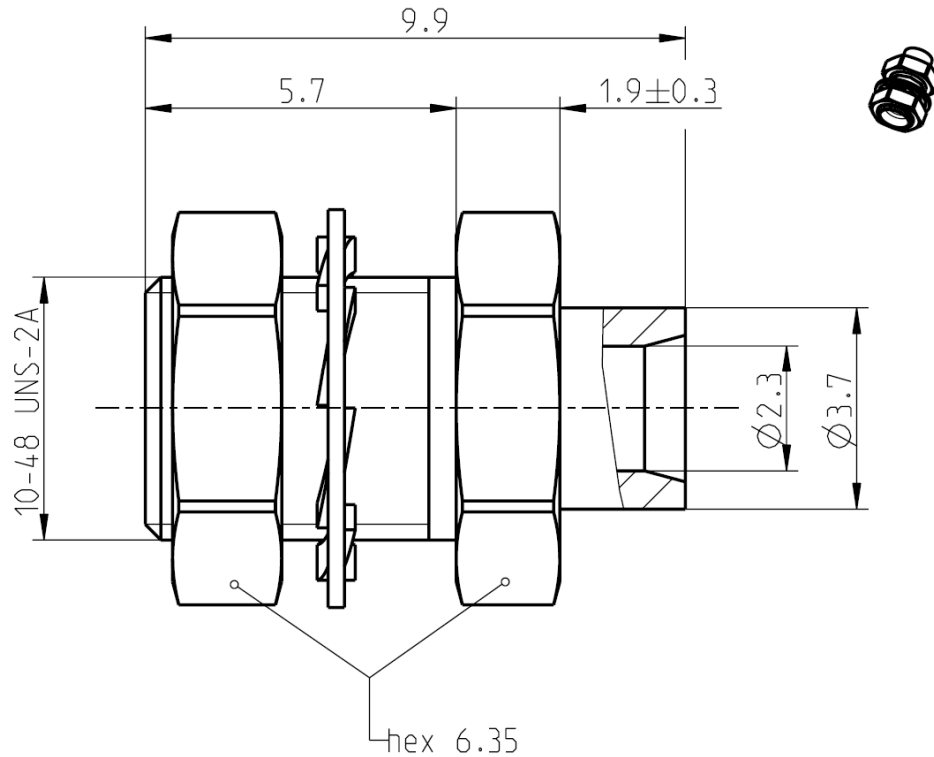


SMP

BULKHEAD PLUG
SMOOTH BORE

19S641-271L5-NM



All dimensions are in mm; tolerances acc. to ISO 2768 m-H

Interface

According to

MIL-STD-348A, Fig. 326

Documents

Assembly instruction
Panel piercing

19 E4
B 54

Material and plating

Connector parts

Center contact
Outer contact
Dielectric

Material

Spring bronze
Spring bronze
PTFE

Plating

AuroDur®, gold plated
AuroDur®, gold plated

SMP

**BULKHEAD PLUG
SMOOTH BORE**

19S641-271L5-NM

Electrical data

Impedance 50 Ω
 Frequency DC to 26.5 GHz
 Return loss ≥ 30 dB @ DC to 4 GHz
 ≥ 20 dB @ 4 GHz to 12 GHz
 ≥ 18 dB @ 12 GHz to 26.5 GHz
 Insertion loss ≤ 0.05 x √f [GHz] dB @DC to 12 GHz
 Insulation resistance ≥ 5 GΩ
 Center contact resistance ≤ 6 mΩ
 Outer contact resistance ≤ 2 mΩ
 Test voltage (at sea level) 500 V rms
 Working voltage (at sea level) 335 V rms
 Contact Current ≤ 1.2A DC max.

- Limitations are possible due to the used cable type -

Mechanical data

Mating cycles ≥ 1000
 Center contact captivation ≥ 7 N
 Engagement force
 - Smooth bore ≤ 9 N
 Disengagement force
 - Smooth bore ≥ 2.2 N

Environmental data

Temperature range -65 °C to +155 °C
 Thermal shock MIL-STD-202, Method 107, Condition B
 Vibration MIL-STD-202, Method 204, Condition B
 Shock MIL-STD-202, Method 213, Condition A
 Moisture resistance MIL-STD-202, Method 106
 RoHS compliant

Tooling

N/A

Suitable cables

RG 405 /U, UT 85-M17

Packing

Standard 25 pcs in bag
 Weight 1.6 g/pce

Dieses Dokument ist urheberrechtlich geschützt • This document is protected by copyright • Rosenberger Hochfrequenztechnik GmbH & Co. KG

RF_35/05.10/6.0

Draft	Date	Approved	Date	Rev.	Engineering change number	Name	Date
H. Wurm	12/04/12	C. Kainzmaier	25.06.15	b00	15-0820	M. Schönsmaul	25.06.15
Rosenberger Hochfrequenztechnik GmbH & Co. KG P.O.Box 1260 D-84526 Tittmoning Germany www.rosenberger.de						Tel. : +49 8684 18-0 Email : info@rosenberger.de	
							Page 2 / 2

X-ON Electronics

Largest Supplier of Electrical and Electronic Components

Click to view similar products for [RF Connectors / Coaxial Connectors](#) category:

Click to view products by [Rosenberger](#) manufacturer:

Other Similar products are found below :

[8915-1511-000](#) [89674-0827](#) [6001-7071-019](#) [6002-7051-003](#) [6002-7551-202](#) [6059674-1](#) [619550-1](#) [630059-000](#) [M39030/3-01N](#) [6500-7071-046](#) [6769](#) [CX050L2AQ](#) [7002-1541-010](#) [7002-1542-011](#) [7004-1512-000](#) [7009-1511-004](#) [7010-1511-000](#) [7029-1511-060](#) [7101-1541-010](#) [7101-1571-002](#) [7145-1521-002](#) [7203-1571-003](#) [7209-1511-011](#) [7210-1511-015](#) [7210-1511-019](#) [73137-5015](#) [73216-2241](#) [73404-2300](#) [7405-1521-005](#) [7405-1521-802](#) [8527](#) [8547](#) [FS11V](#) [877931](#) [9049-9513-000](#) [9074-9513-000](#) [9101-9573-002](#) [910A205F](#) [9130-9573-002](#) [PL11SC-026](#) [PL375-33](#) [PL40-5](#) [PL74C-221](#) [PL75MC-217](#) [PL803-7](#) [980-8666-005](#) [1200690078](#) [1-201144-1](#) [R107003010W](#) [R110A172100](#)