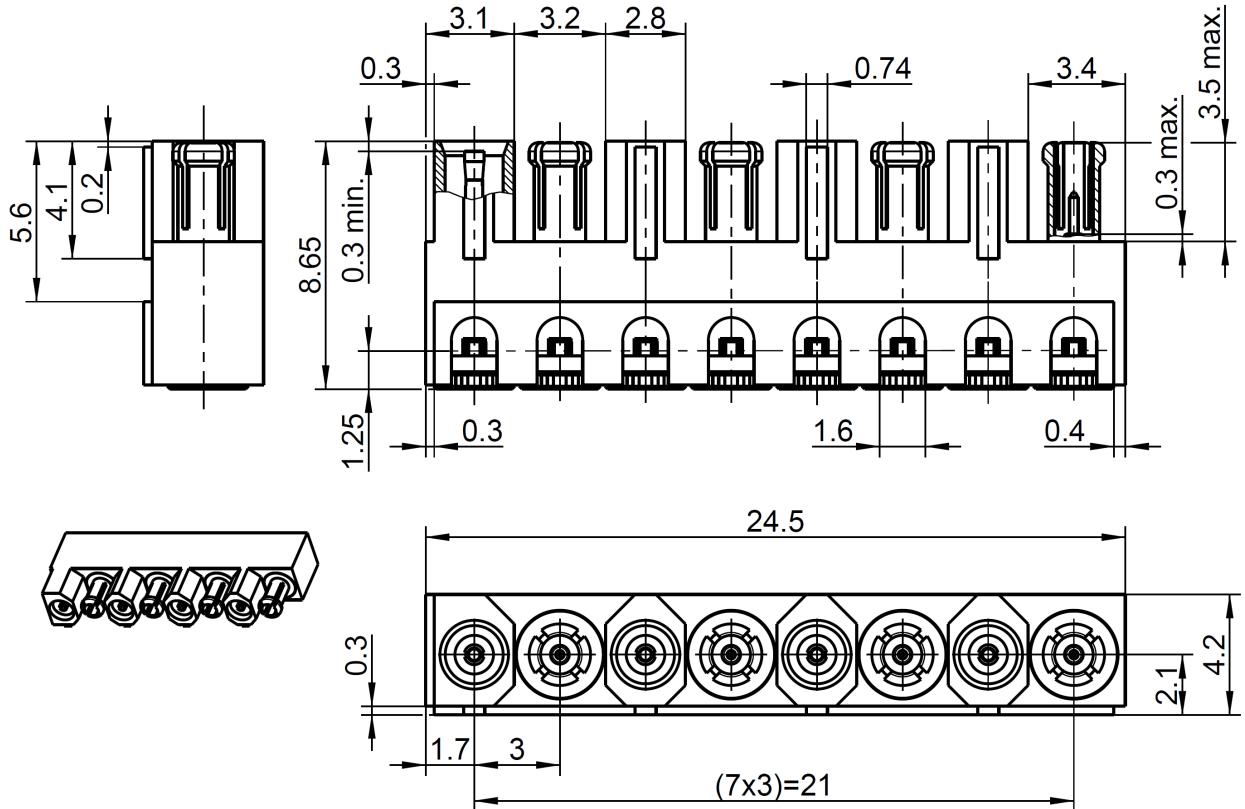


Insert  
Mini-Coax

8 Channel Block  
Right Angle

**23C25D-40ML5**



All dimensions are in mm; tolerances according to ISO 2768 m-H

**Interface**

According to

Rosenberger Mini-Coax

**Documents**

PCB - Layout

B 501B

**Material and plating**

**Connector parts**

- Center contact
- Outer contact male
- Outer contact female
- Body
- Dielectric

**Material**

- CuBe or equiv.
- CuBe
- Brass
- Brass
- PTFE

**Plating**

- AuroDur®, gold plated
- AuroDur®, gold plated
- AuroDur®, gold plated
- AuroDur®, gold plated

Insert  
Mini-Coax

8 Channel Block  
Right Angle

**23C25D-40ML5**

**Electrical data**

Impedance 50 Ω  
 Frequency DC to 40 GHz  
 Return loss ≥ 25 dB @ DC to 3 GHz  
 ≥ 20 dB @ 3 GHz to 6 GHz  
 ≥ 16 dB @ 6 GHz to 20 GHz  
 ≥ 12 dB @ 20 GHz to 40 GHz  
 Insertion loss ≤ 0.04 x √f [GHz] dB  
 Insulation resistance ≥ 1GΩ  
 Center contact resistance ≤ 10 mΩ  
 Outer contact resistance ≤ 3 mΩ  
 Test voltage (at sea level) 750 V rms  
 Working voltage (at sea level) 500 V rms  
 RF-leakage ≥ 80 dB @ DC to 1 GHz  
 ≥ 60 dB @ 1 GHz to 4 GHz

- Connector only, VSWR in application depends decisive on PCB layout -

**Mechanical data**

Mating cycles ≥ 500  
 Engagement force max. 50 N typical 40 N  
 Extraction force max. 50 N typical 40 N

**Environmental data**

Temperature range -40 °C to +125 °C  
 Climatic category IEC 60068-2-1 40/85/21  
 Dry heat IEC 60068-2-2  
 Damp heat IEC 60068-2-78  
 Shock IEC 60068-2-27 (50g halvesinus, 2 shocks/axis during 11 sec.)  
 Max. soldering temperature IEC 61760-1, +260 °C for 10 sec.  
 RoHS compliant

**Tooling**

N/A

**Weight**

4.0 g/pce

While the information has been carefully compiled to the best of our knowledge, nothing is intended as representation or warranty on our part and no statement herein shall be construed as recommendation to infringe existing patents. In the effort to improve our products, we reserve the right to make changes judged to be necessary.

Dieses Dokument ist urheberrechtlich geschützt • This document is protected by copyright • Rosenberger Hochfrequenztechnik GmbH & Co. KG

RF\_35/08.13/6.1

|  |          |                  |          |      |                           |  |               |
|--|----------|------------------|----------|------|---------------------------|--|---------------|
| Draft  | Date     | Approved         | Date     | Rev. | Engineering change number | Name   | Date          |
| Martin Moder   | 02.03.16 | Herbert Babinger | 29.05.19 | b00  | 19-0918                   | A. Youmsi  | 29.05.19      |
| Rosenberger Hochfrequenztechnik GmbH & Co. KG<br>P.O.Box 1260 D-84526 Tittmoning Germany<br><a href="http://www.rosenberger.de">www.rosenberger.de</a> |          |                  |          |      |                           | Tel. : +49 8684 18-0<br>Email : <a href="mailto:info@rosenberger.de">info@rosenberger.de</a> |               |
|  |          |                  |          |      |                           |  | Page<br>2 / 2 |

## X-ON Electronics

Largest Supplier of Electrical and Electronic Components

*Click to view similar products for [RF Connectors / Coaxial Connectors](#) category:*

*Click to view products by [Rosenberger](#) manufacturer:*

Other Similar products are found below :

[8915-1511-000](#) [89674-0827](#) [6001-7071-019](#) [6002-7051-003](#) [6002-7551-202](#) [6059674-1](#) [619550-1](#) [630059-000](#) [M39030/3-01N](#) [6500-7071-046](#) [6769](#) [CX050L2AQ](#) [7002-1541-010](#) [7002-1542-011](#) [7004-1512-000](#) [7009-1511-004](#) [7010-1511-000](#) [7029-1511-060](#) [7101-1541-010](#) [7101-1571-002](#) [7145-1521-002](#) [7203-1571-003](#) [7209-1511-011](#) [7210-1511-015](#) [7210-1511-019](#) [73137-5015](#) [73216-2241](#) [73404-2300](#) [7405-1521-005](#) [7405-1521-802](#) [8527](#) [8547](#) [FS11V](#) [877931](#) [9049-9513-000](#) [9074-9513-000](#) [9101-9573-002](#) [910A205F](#) [9130-9573-002](#) [PL11SC-026](#) [PL375-33](#) [PL40-5](#) [PL74C-221](#) [PL75MC-217](#) [PL803-7](#) [980-8666-005](#) [1200690078](#) [1-201144-1](#) [R107003010W](#) [R110A172100](#)