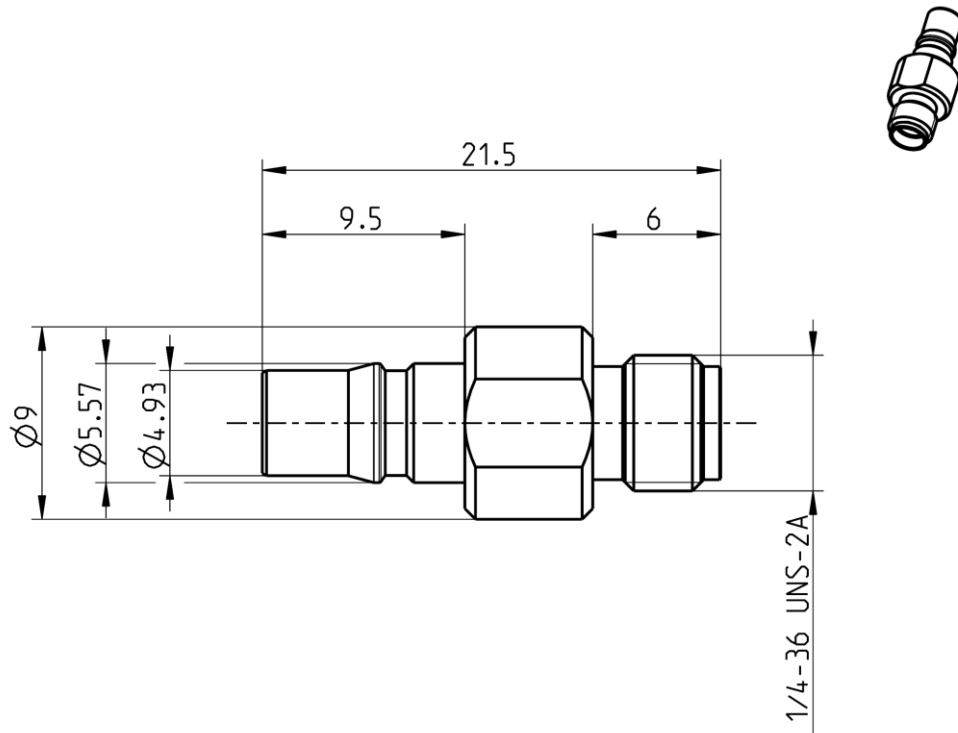


QMA

Adaptor  
QMA Jack – SMA Jack

**28K132-K00N5**



All dimensions are in mm; tolerances according to ISO 2768 m-H

**Interface**

According to QMA side: IEC 61169-50  
SMA side: IEC 60169-15; EN 122110; MIL-STD-348A, Fig. 310

**Documents**

N/A

**Material and plating**

**Connector parts**

Center contact  
Outer contact  
Dielectric

**Material**

CuBe  
Brass  
PTFE

**Plating**

AuroDur®, gold plated  
White bronze(e.g. Optalloy®)

Dieses Dokument ist urheberrechtlich geschützt • This document is protected by copyright • Rosenberger Hochfrequenztechnik GmbH & Co. KG

RF\_35/09.14/6.2

**Electrical data**

Impedance	50 Ω	
Frequency	DC to 18 GHz	
Return loss	≥ 32 dB, DC to 3 GHz	
	≥ 28 dB, 3 to 6 GHz	
Insertion loss	≤ 0.03 x √f(GHz) dB, DC to 6 GHz	
Insulation resistance	≥ 5 x10 <sup>3</sup> MΩ	
Center contact resistance	≤ 3 mΩ, QMA side	≤ 3 mΩ, SMA side
Outer contact resistance	≤ 2.5 mΩ, QMA side	≤ 2 mΩ, SMA side
Test voltage	1000 V rms	
Working voltage	480 V rms	
RF-leakage	≥ 95 dB up to 2 GHz	
	≥ 80 dB up to 4 GHz	
	≥ 70 dB up to 6 GHz	

**Mechanical data**

	QMA side	SMA side
Mating cycles	min. 100	min. 100
Coupling nut retention	N/A	N/A
Center contact captivation: axial	≥ 20 N	≥ 20 N
Coupling test torque	N/A	0.5 Nm
Recommended torque	N/A	max. 0.6 Nm
Engagement force	typ. 25 N	N/A
Disengagement force	typ. 20 N	N/A
Retention force for interface	60 N min.	N/A

**Environmental data**

Temperature range	-40°C to +85°C
Storage temperature	-40°C to +85°C
Thermal shock	IEC 60169-1 16.4 (-40 / +85°C)
Corrosion	IEC 60169-1 16.7 (48 hrs)
Vibration	IEC 60068-2-64 random
Damp heat, steady state	IEC 60169-1 16.3 (96 hrs)
RoHS	compliant

**Tooling**

N/A

**Suitable cables**

N/A

**Weight**

Weight 4.1 g/pce

While the information has been carefully compiled to the best of our knowledge, nothing is intended as representation or warranty on our part and no statement herein shall be construed as recommendation to infringe existing patents. In the effort to improve our products, we reserve the right to make changes judged to be necessary.

For the installation of the electrotechnical equipment, particular electrotechnical expertise is required.



Dieses Dokument ist urheberrechtlich geschützt • This document is protected by copyright • Rosenberger Hochfrequenztechnik GmbH & Co. KG

RF\_35/09.14/6.2

Draft	Date	Approved	Date	Rev.	Engineering change number	Name	Date
Rong Fang	26.02.07	Chr. Janßen	02.11.20	d00	20-1927	S. Huber-Siegl	02.11.20

Rosenberger Hochfrequenztechnik GmbH & Co. KG P.O.Box 1260 D-84526 Tittmoning Germany <a href="http://www.rosenberger.de">www.rosenberger.de</a>				Tel. : +49 8684 18-0 Email : <a href="mailto:info@rosenberger.de">info@rosenberger.de</a>		Page 2 / 2	
--	--	--	--	--	--	---------------	--

## X-ON Electronics

Largest Supplier of Electrical and Electronic Components

*Click to view similar products for* [RF Adapters - Between Series category:](#)

*Click to view products by* [Rosenberger manufacturer:](#)

Other Similar products are found below :

[5945-9503-000](#) [MCX/F-SMA/M](#) [R192417010](#) [ADBJ20-E1-BJ379](#) [ADM2](#) [ADPL75-A1-PL75](#) [242191](#) [9317505](#) [29-3835P](#) [AD130](#) [ADBJ20-E1-PL74](#) [ADBJ20-E2-BJ79](#) [ADBJ77-A1-PL375](#) [ADBJ77-E1-UPL20](#) [ADRMF370](#) [242215](#) [242228](#) [R125680000W](#) [R192430000](#) [UAD95](#) [1057367-1](#) [8311505](#) [R114704000](#) [R451034500](#) [R451030500](#) [R451543000](#) [HDVDPN](#) [ADBJ20-K1-PL20](#) [R451570000](#) [R451034000](#) [J9](#) [J3WE-5](#) [R451032500](#) [242201RP](#) [17K132-K00S5](#) [AD-RSMAF-RTNC](#) [53K156-K00N5](#) [02K119-K00E3](#) [29S132-K01N5](#) [53S156-K00N5](#) [02S119-S00E3](#) [28K132-K00N5](#) [02S109-K00S3](#) [27-8200TP](#) [242235](#) [ADBJ20-E1-BJ89](#) [000-2900](#) [321-102-003 \(SMA-50/2-H155/W1.03 AU\)](#) [1057377-1](#) [321-350-001 \(SMA-50-R/2-RG316/N2.01\)](#)