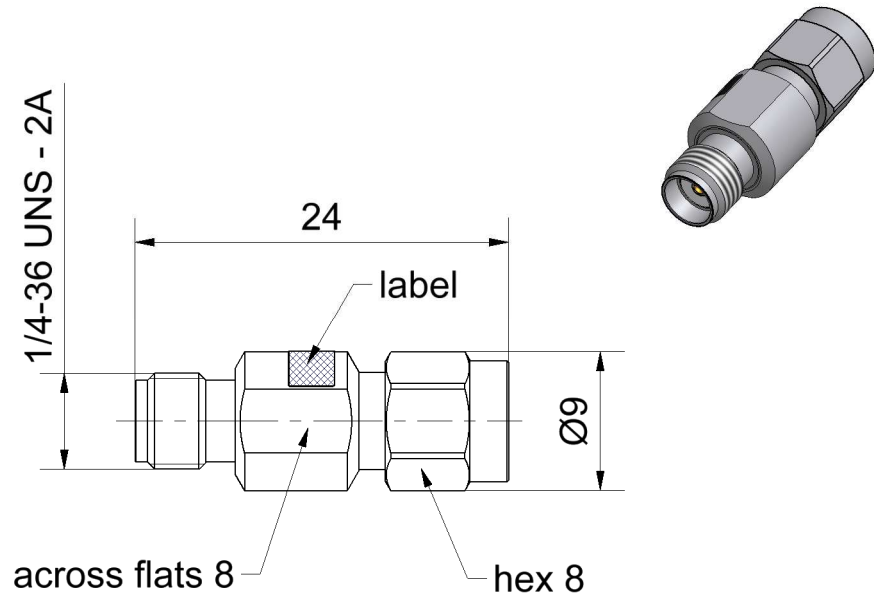


SMA

Attenuator
Plug/Jack 2 Watt

32AS102-K40S3



All dimensions are in mm; tolerances according to ISO 2768 m-H

Interface

According to

IEC 60169-15; EN 122110; MIL-STD-348

Documents

N/A

Material and plating

Connector parts

- Center contact - plug
- Outer contact - jack
- Outer contact
- Dielectric
- Substrate

Material

- Brass
- CuBe
- Stainless steel
- PTFE
- Al₂O₃

Plating

- Gold, min. 1.27 µm, over nickel
- Gold, min. 1.27 µm, over nickel
- Passivated

Dieses Dokument ist urheberrechtlich geschützt • This document is protected by copyright • Rosenberger Hochfrequenztechnik GmbH & Co. KG

RF_35/09;14/6.2

SMA

Attenuator
Plug/Jack 2 Watt

32AS102-K40S3

Electrical data

Impedance 50 Ω
 Frequency DC to 18 GHz
 Return loss ≥ 23.1 dB, DC to 4 GHz
 ≥ 19.1 dB, 4 GHz to 12.4 GHz
 ≥ 16.5 dB, 12.4 GHz to 18 GHz
 Attenuation 40 dB ± 1.0 dB, DC to 12.4 GHz
 40 dB ± 1.5 dB, 12.4 GHz to 18 GHz
 Power handling ≤ 2 W at 25°C

Mechanical data

Mating cycles ≥ 500
 Maximum torque 1.70 Nm
 Recommended torque 0.90 Nm

Environmental data

Temperature range -55°C to +155°C
 RoHS compliant

Packing

Standard 1 pce in bag
 Weight 6.0 g/pce

While the information has been carefully compiled to the best of our knowledge, nothing is intended as representation or warranty on our part and no statement herein shall be construed as recommendation to infringe existing patents. In the effort to improve our products, we reserve the right to make changes judged to be necessary.

Draft	Date	Approved	Date	Rev.	Engineering change number	Name	Date
Kerstin Herzog	06.12.04	Markus Müller	07.11.16	d00	15-1629	Marion Striegler	07.11.16

Rosenberger Hochfrequenztechnik GmbH & Co. KG P.O.Box 1260 D-84526 Tittmoning Germany www.rosenberger.de	Tel. : +49 8684 18-0 Email : info@rosenberger.de	Page 2 / 2
--	---	---------------

X-ON Electronics

Largest Supplier of Electrical and Electronic Components

Click to view similar products for [Attenuators - Interconnects](#) category:

Click to view products by [Rosenberger](#) manufacturer:

Other Similar products are found below :

[R411803119](#) [R413806115](#) [R413808000](#) [R413810115](#) [R413850115](#) [R414510000](#) [R414701000](#) [BNC-13](#) [R411800121](#) [R411801121](#)
[R412412124](#) [R412450000](#) [R413800000](#) [R413805000](#) [R413830000](#) [R413840115](#) [R414730000](#) [R415420000](#) [R415703000](#) [R416010000](#)
[R420003110](#) [R411801000](#) [R411815121](#) [R413305000](#) [R413801000](#) [R414520000](#) [R411808121](#) [R412500124](#) [R412414124](#) [R412501124](#)
[HMC-C584](#) [R413802000](#) [R412400124](#) [R411700124](#) [R417310130](#) [R411801119](#) [R412419124](#) [R411703124](#) [R412401124](#) [R443131000](#)
[R417130110](#) [R414700000](#) [R414505000](#) [R411802119](#) [R417720128](#) [R420706110](#) [R413811000](#) [R413803115](#) [R414501000](#) [R417903128](#)