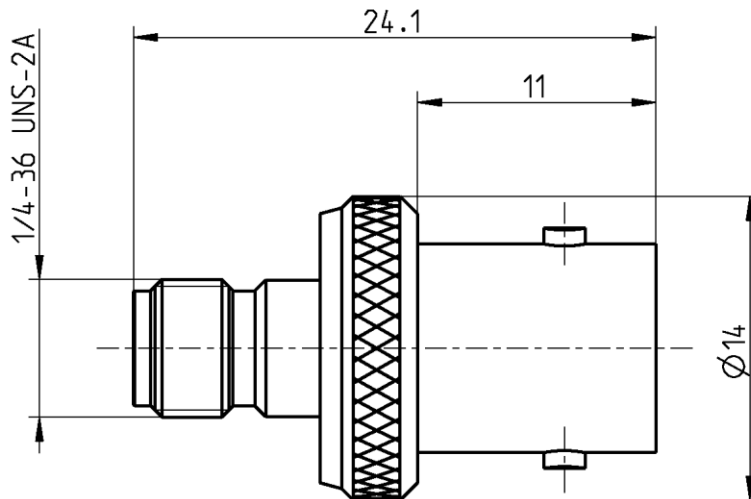


SMA
Adaptor
SMA Jack –
BNC Ω 50 Jack

32K151-K00L5



All dimensions are in mm; tolerances according to ISO 2768 m-H

Interface

According to SMA side: IEC 60169-15, EN 122110, MIL-STD-348A, Fig. 310
 BNC side: DIN EN 61169-8

Documents

N/A

Material and plating

Connector parts

Center contact
 Outer contact SMA side
 Outer contact BNC side
 Dielectric

Material

CuBe
 CuBe or equiv.
 Brass
 PTFE

Plating

AuroDur®, gold plated
 AuroDur®, gold plated
 Nickel, 2.5-5 µm

Dieses Dokument ist urheberrechtlich geschützt • This document is protected by copyright • Rosenberger Hochfrequenztechnik GmbH & Co. KG

RF_35/09.14/6.2

Technical Data Sheet

Rosenberger

SMA

Adaptor
SMA Jack –
BNC Ω 50 Jack

32K151-K00L5

Electrical data

Impedance	50 Ω
Frequency	DC to 10 GHz
VSWR	$\leq 1.05 + 0.005 \times f$ [GHz]
Insertion loss	$\leq 0.04 \times \sqrt{f(\text{GHz})}$ dB
Insulation resistance	$\geq 5 \times 10^3$ M Ω
Center contact resistance	≤ 3 m Ω , SMA side ≤ 1.5 m Ω , BNC side
Outer contact resistance	≤ 2 m Ω , SMA side ≤ 1.0 m Ω , BNC side
Test voltage	1000 V rms
Working voltage	400 V rms
Power handling (at 20 °C, sea level, VSWR 1.0)	≤ 80 W @ 2 GHz

Mechanical data

	SMA side	BNC side
Mating cycles	min. 500	min. 500
Center contact captivation: axial	≥ 27 N	≥ 27 N
Coupling test torque	max. 1.7 Nm	N/A
Recommended torque	0.8 Nm to 1.1 Nm	N/A

Environmental data

Temperature range	-55°C to +155°C
Thermal shock	MIL-STD-202, Meth. 107, Cond. B
Corrosion	MIL-STD-202, Meth. 101, Cond. B
Vibration	MIL-STD-202, Meth. 204, Cond. D
Shock	MIL-STD-202, Meth. 213, Cond. I
Moisture resistance	MIL-STD-202, Meth. 106
RoHS	compliant

Tooling

N/A

Suitable cables

N/A

Weight

Weight 8.7 g/pce

While the information has been carefully compiled to the best of our knowledge, nothing is intended as representation or warranty on our part and no statement herein shall be construed as recommendation to infringe existing patents. In the effort to improve our products, we reserve the right to make changes judged to be necessary.

For the installation of the electrotechnical equipment, particular electrotechnical expertise is required.



Draft	Date	Approved	Date	Rev.	Engineering change number	Name	Date
Rong Fang	13.09.04	Chr. Janßen	05.11.20	g00	20-1927	S. Huber-Siegl	05.11.20
Rosenberger Hochfrequenztechnik GmbH & Co. KG P.O.Box 1260 D-84526 Tittmoning Germany www.rosenberger.de					Tel. : +49 8684 18-0 Email : info@rosenberger.de		Page 2 / 2

X-ON Electronics

Largest Supplier of Electrical and Electronic Components

Click to view similar products for [RF Adapters - Between Series category](#):

Click to view products by [Rosenberger manufacturer](#):

Other Similar products are found below :

[5945-9503-000](#) [MCX/F-SMA/M](#) [R192417010](#) [ADBJ20-E1-BJ379](#) [ADM2](#) [ADPL75-A1-PL75](#) [242191](#) [9317505](#) [29-3835P](#) [AD130](#) [ADBJ20-E1-PL74](#) [ADBJ20-E2-BJ79](#) [ADBJ77-A1-PL375](#) [ADBJ77-E1-UPL20](#) [ADRMF370](#) [242215](#) [242228](#) [R125680000W](#) [R192430000](#) [UAD95](#) [1057367-1](#) [8311505](#) [R114704000](#) [R451034500](#) [R451030500](#) [R451543000](#) [HDVDPN](#) [ADBJ20-K1-PL20](#) [R451570000](#) [R451034000](#) [J9](#) [J3WE-5](#) [R451032500](#) [242201RP](#) [17K132-K00S5](#) [AD-RSMAF-RTNC](#) [53K156-K00N5](#) [02K119-K00E3](#) [29S132-K01N5](#) [53S156-K00N5](#) [02S119-S00E3](#) [28K132-K00N5](#) [02S109-K00S3](#) [27-8200TP](#) [242235](#) [ADBJ20-E1-BJ89](#) [000-2900](#) [321-102-003 \(SMA-50/2-H155/W1.03 AU\)](#) [1057377-1](#) [321-350-001 \(SMA-50-R/2-RG316/N2.01\)](#)