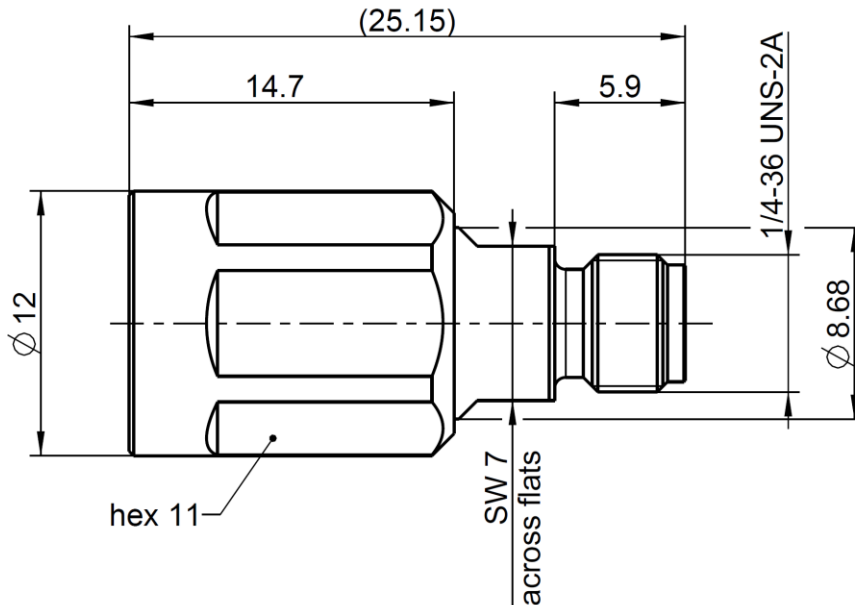


SMA

Adaptor  
NEX 10 Plug – SMA Jack

**32K189-S00N5**



All dimensions are in mm; tolerances according to ISO 2768 m-H

**Interface**

According to NEX10 side: NEX10™  
SMA side: IEC 60169-15, EN 122110, MIL-STD-348A, Fig. 310

**Documents**

N/A

**Material and plating**

**Connector parts**

Center contact  
Outer contact NEX10 side:  
Outer contact SMA side:  
Body  
Dielectric  
Gasket

**Material**

CuBe  
Spring bronze  
Brass  
PTFE  
Silicone

**Plating**

AuroDur®, gold plated  
Silver, 3-6 µm  
White bronze(e.g. Optalloy®)  
White bronze(e.g. Optalloy®)

SMA

Adaptor  
NEX 10 Plug – SMA Jack

**32K189-S00N5**

**Electrical data**

Impedance	50 Ω
Frequency	DC to 12 GHz
Return loss	≥ 36 dB @ DC to 4 GHz ≥ 34 dB @ 4 GHz to 6 GHz ≥ 32 dB @ 6 GHz to 10 GHz
Insertion loss	≤ 0.05 x √ f [GHz] dB
Insulation resistance	≥ 5 GΩ
Center contact resistance	≤ 2.0 mΩ, NEX10 side    ≤ 3 mΩ, SMA side
Outer contact resistance	≤ 1.0 mΩ, NEX10 side    ≤ 2 mΩ, SMA side
Working voltage	500 V rms
RF-leakage	≥ 100 dB @ DC to 1 GHz
Power handling (at 20 °C, sea level, VSWR 1.0)	≤ 200 W @ 2 GHz

**Mechanical data**

	NEX10 side	SMA side
Mating cycles	≥ 100	≥ 100
Center contact captivation axial	≥ 25 N	
Recommended torque	1.5 Nm	0.5 Nm

**Environmental data**

Temperature range	-55 °C to +125 °C operating temperature
Thermal shock	IEC 61169-1 9.4.4
Vibration	IEC 61169-1 9.3.3 and IEC 60068-2-64
Shock	IEC 61169-1 9.3.14
Degree of protection (mated pair)	IEC 60529, IP68 24h / 1m
RoHS	compliant

**Tooling**

N/A

**Suitable cables**

N/A

**Weight**

Weight 8.7 g/pce

While the information has been carefully compiled to the best of our knowledge, nothing is intended as representation or warranty on our part and no statement herein shall be construed as recommendation to infringe existing patents. In the effort to improve our products, we reserve the right to make changes judged to be necessary.

For the installation of the electrotechnical equipment, particular electrotechnical expertise is required.



Dieses Dokument ist urheberrechtlich geschützt • This document is protected by copyright • Rosenberger Hochfrequenztechnik GmbH & Co. KG

RF\_35/09.14/6.2

Draft	Date	Approved	Date	Rev.	Engineering change number	Name	Date
F. Fraunhofer	05.04.17	Chr. Janßen	09.11.20	c00	20-1927	S. Huber-Siegl	09.11.20
Rosenberger Hochfrequenztechnik GmbH & Co. KG P.O.Box 1260 D-84526 Tittmoning Germany <a href="http://www.rosenberger.de">www.rosenberger.de</a>					Tel. : +49 8684 18-0 Email : <a href="mailto:info@rosenberger.de">info@rosenberger.de</a>		Page 2 / 2

## X-ON Electronics

Largest Supplier of Electrical and Electronic Components

*Click to view similar products for* [RF Adapters - Between Series category:](#)

*Click to view products by* [Rosenberger manufacturer:](#)

Other Similar products are found below :

[5945-9503-000](#) [MCX/F-SMA/M](#) [R192417010](#) [ADBJ20-E1-BJ379](#) [ADM2](#) [ADPL75-A1-PL75](#) [242191](#) [9317505](#) [29-3835P](#) [AD130](#) [ADBJ20-E1-PL74](#) [ADBJ20-E2-BJ79](#) [ADBJ77-A1-PL375](#) [ADBJ77-E1-UPL20](#) [ADRMF370](#) [242215](#) [242228](#) [R125680000W](#) [R192430000](#) [UAD95](#) [1057367-1](#) [8311505](#) [R114704000](#) [R451034500](#) [R451030500](#) [R451543000](#) [HDVDPN](#) [ADBJ20-K1-PL20](#) [R451570000](#) [R451034000](#) [J9](#) [J3WE-5](#) [R451032500](#) [242201RP](#) [17K132-K00S5](#) [AD-RSMAF-RTNC](#) [53K156-K00N5](#) [02K119-K00E3](#) [29S132-K01N5](#) [53S156-K00N5](#) [02S119-S00E3](#) [28K132-K00N5](#) [02S109-K00S3](#) [27-8200TP](#) [242235](#) [ADBJ20-E1-BJ89](#) [000-2900](#) [321-102-003 \(SMA-50/2-H155/W1.03 AU\)](#) [1057377-1](#) [321-350-001 \(SMA-50-R/2-RG316/N2.01\)](#)