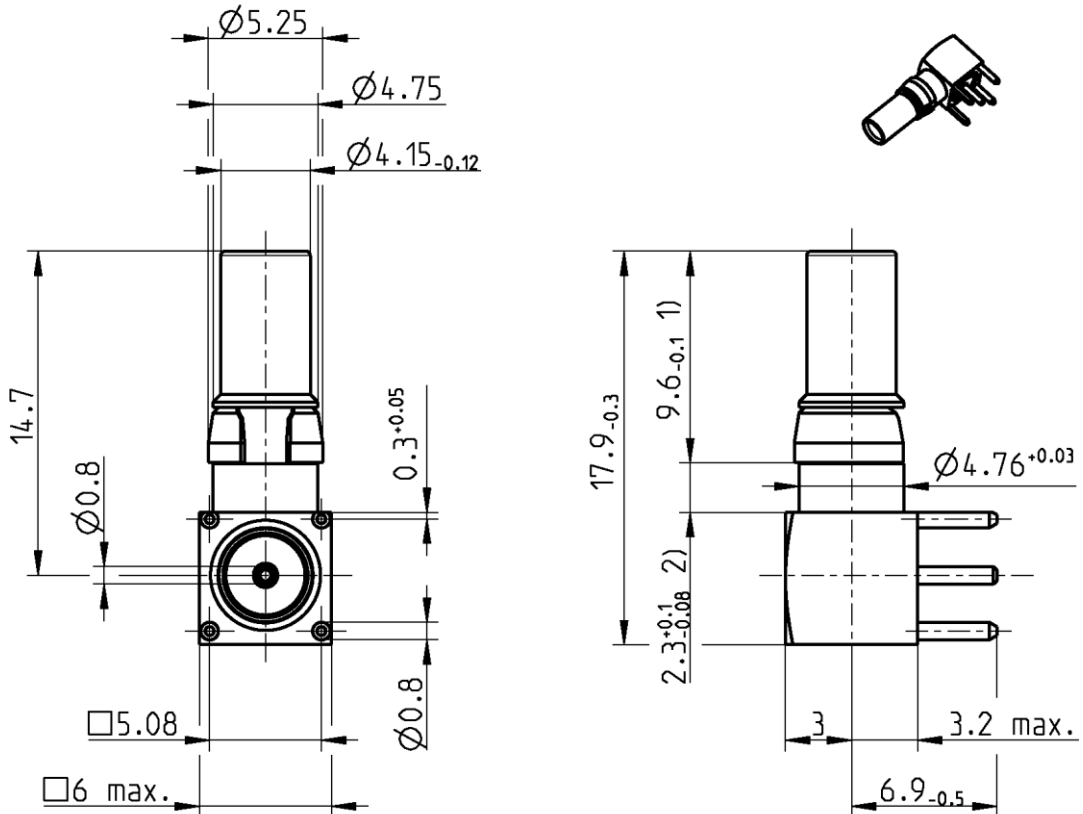


Insert Coax
1.0-2.3
DIN 41626

Right Angle Jack PCB

45K201-400L5



- 1) Measured when retaining clip is fully pushed towards contact area.
- 2) The border dimension includes the necessary axial misalignment of the retaining clip.

All dimensions are in mm; tolerances according to ISO 2768 m-H

Interface

According to

DIN 41626-T2, BS 9525 F0011

Documents

PCB layout

B 30c

Material and plating

Connector parts

Center contact
Outer contact
Body
Clip
Dielectric

Material

CuBe
Brass
Brass
CuBe
PTFE

Plating

AuroDur®, gold plated
AuroDur®, gold plated
Gold, 0.1 µm min.
Nickel, 2.5-5 µm

Insert Coax
1.0-2.3
DIN 41626

Right Angle Jack PCB

45K201-400L5

Electrical data

Impedance 50 Ω
 Frequency DC to 6 GHz
 Return loss ≥ 25 dB, DC to 2 GHz
 ≥ 23 dB, 2 to 4 GHz
 ≥ 16 dB, 4 to 6 GHz
 Insertion loss ≤ 0.1 x √f(GHz) dB
 Insulation resistance ≥ 200 MΩ
 Center contact resistance ≤ 10 mΩ
 Outer contact resistance ≤ 3 mΩ
 Test voltage 750 V rms
 Working voltage 250 V rms
 RF-leakage ≥ 80 dB up to 0.5 GHz
 ≥ 65 dB up to 1.5 GHz

- VSWR in application depends decisive on PCB layout -

Mechanical data

Mating cycles ≥ 500
 Center contact captivation ≥ 10 N
 Connector captivation in plastic ≥ 52 N
 Engaging and disengaging force ≤ 10 N

Environmental data

Temperature range -55°C to +125°C
 Climatic class IEC 60068-2-1 55/125/21
 IEC 60068-2-2
 IEC 60068-2-3
 Max. soldering temperature IEC 61760-1, +260°C for 10 sec.
 RoHS compliant

Tooling

N/A

Suitable cables

N/A

Weight

Weight 2.3 g/pce

While the information has been carefully compiled to the best of our knowledge, nothing is intended as representation or warranty on our part and no statement herein shall be construed as recommendation to infringe existing patents. In the effort to improve our products, we reserve the right to make changes judged to be necessary.

For the installation of the electrotechnical equipment, particular electrotechnical expertise is required.



Draft	Date	Approved	Date	Rev.	Engineering change number	Name	Date
Wengler Jürgen	13.09.04	Chr. Janßen	01.12.20	c00	20-1927	S. Huber-Siegl	01.12.20

Rosenberger Hochfrequenztechnik GmbH & Co. KG P.O.Box 1260 D-84526 Tittmoning Germany http://www.rosenberger.com/				Tel. : +49 8684 18-0 Email : info@rosenberger.com		Page 2 / 2	
---	--	--	--	--	--	---------------	--

X-ON Electronics

Largest Supplier of Electrical and Electronic Components

Click to view similar products for [RF Connectors / Coaxial Connectors](#) category:

Click to view products by [Rosenberger](#) manufacturer:

Other Similar products are found below :

[8915-1511-000](#) [89674-0827](#) [6001-7071-019](#) [6002-7051-003](#) [6002-7551-202](#) [6059674-1](#) [619550-1](#) [630059-000](#) [M39030/3-01N](#) [6500-7071-046](#) [6769](#) [CX050L2AQ](#) [7002-1541-010](#) [7002-1542-011](#) [7004-1512-000](#) [7009-1511-004](#) [7010-1511-000](#) [7029-1511-060](#) [7101-1541-010](#) [7101-1571-002](#) [7145-1521-002](#) [7203-1571-003](#) [7209-1511-011](#) [7210-1511-015](#) [7210-1511-019](#) [73137-5015](#) [73216-2241](#) [73404-2300](#) [7405-1521-005](#) [7405-1521-802](#) [8527](#) [8547](#) [FS11V](#) [877931](#) [8808-1511-001](#) [9049-9513-000](#) [9074-9513-000](#) [9101-9573-002](#) [910A205F](#) [9130-9573-002](#) [PL11SC-026](#) [PL375-33](#) [PL40-5](#) [PL74C-221](#) [PL75MC-217](#) [PL803-7](#) [1200690078](#) [1-201144-1](#) [R107003010W](#) [R110A172100](#)