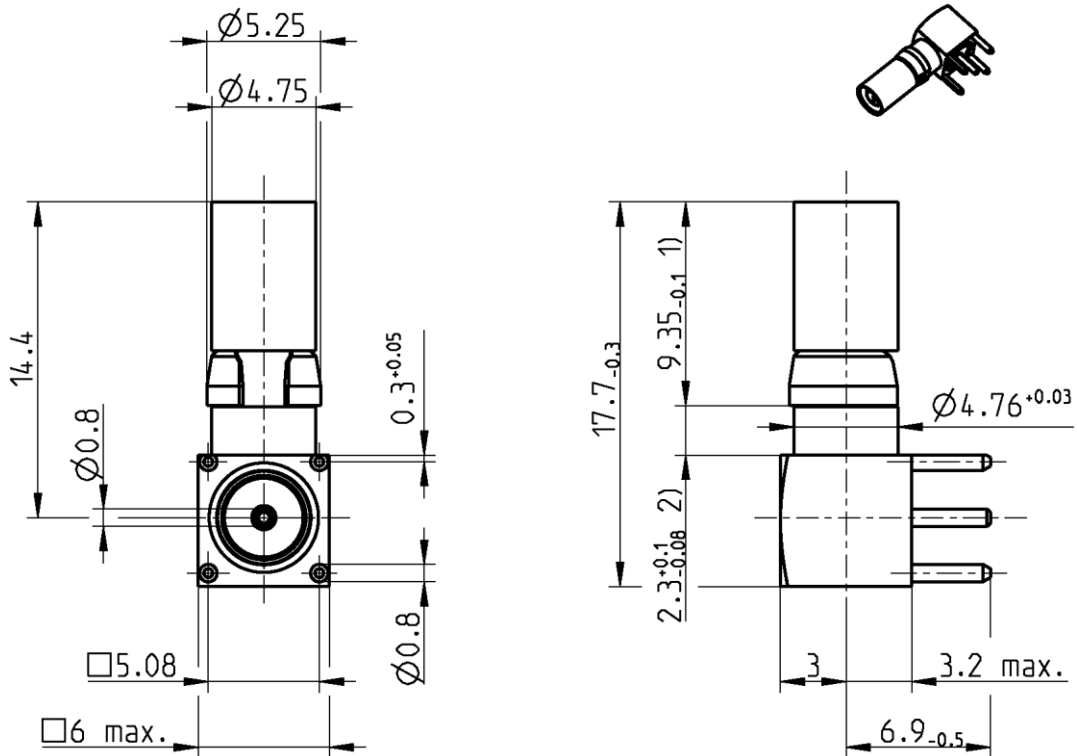


Insert Coax
1.0-2.3
DIN 41626

Right Angle Plug PCB

45S201-400L5



- 1) Measured when retaining clip is fully pushed towards contact area.
- 2) The border dimension includes the necessary axial misalignment of the retaining clip.

All dimensions are in mm; tolerances according to ISO 2768 m-H

Interface

According to

DIN 41626-T2, BS 9525 F0011

Documents

PCB layout

B 30c

Material and plating

Connector parts

Center contact
Outer contact
Body
Clip
Dielectric

Material

CuBe
CuBe
Brass
CuBe
PTFE

Plating

AuroDur®, gold plated
AuroDur®, gold plated
AuroDur®, gold plated
Nickel, 2.5-5 µm

Technical Data Sheet

Rosenberger

Insert Coax
1.0-2.3
DIN 41626

Right Angle Plug PCB

45S201-400L5

Electrical data

Impedance	50 Ω
Frequency	DC to 4 GHz
Return loss	≥ 21 dB, DC to 4 GHz
Insertion loss	≤ 0.05 x √f(GHz) dB
Insulation resistance	≥ 200 MΩ
Center contact resistance	≤ 10 mΩ
Outer contact resistance	≤ 3 mΩ
Test voltage	750 V rms
Working voltage	250 V rms
RF-leakage	≥ 80 dB up to 0.5 GHz ≥ 65 dB up to 1.5 GHz

- VSWR in application depends decisive on PCB layout -

Mechanical data

Mating cycles	≥ 500
Center contact captivation	≥ 10 N
Connector captivation in plastic	≥ 52 N
Engaging and disengaging force	≤ 10 N

Environmental data

Temperature range	-55°C to +125°C
Climatic class	IEC 60068-2-1 55/125/21 IEC 60068-2-2 IEC 60068-2-3
Max. soldering temperature	IEC 61760-1, +260°C for 10 sec.
RoHS	compliant

Tooling

N/A

Suitable cables

N/A

Weight

Weight 2.3 g/pce

While the information has been carefully compiled to the best of our knowledge, nothing is intended as representation or warranty on our part and no statement herein shall be construed as recommendation to infringe existing patents. In the effort to improve our products, we reserve the right to make changes judged to be necessary.

For the installation of the electrotechnical equipment, particular electrotechnical expertise is required.



Draft	Date	Approved	Date	Rev.	Engineering change number	Name	Date
J. Krautenbacher	01.07.08	Chr. Janßen	01.12.20	f00	20-1927	S. Huber-Siegl	01.12.20
Rosenberger Hochfrequenztechnik GmbH & Co. KG P.O.Box 1260 D-84526 Tittmoning Germany http://www.rosenberger.com/						Tel. : +49 8684 18-0 Email : info@rosenberger.com	
						Page 2 / 2	

X-ON Electronics

Largest Supplier of Electrical and Electronic Components

Click to view similar products for [RF Connectors / Coaxial Connectors](#) category:

Click to view products by [Rosenberger](#) manufacturer:

Other Similar products are found below :

[8915-1511-000](#) [89674-0827](#) [6001-7071-019](#) [6002-7051-003](#) [6002-7551-202](#) [6059674-1](#) [619550-1](#) [630059-000](#) [M39030/3-01N](#) [6500-7071-046](#) [6769](#) [CX050L2AQ](#) [7002-1541-010](#) [7002-1542-011](#) [7004-1512-000](#) [7009-1511-004](#) [7010-1511-000](#) [7029-1511-060](#) [7101-1541-010](#) [7101-1571-002](#) [7145-1521-002](#) [7203-1571-003](#) [7209-1511-011](#) [7210-1511-015](#) [7210-1511-019](#) [73137-5015](#) [73216-2241](#) [73404-2300](#) [7405-1521-005](#) [7405-1521-802](#) [8527](#) [8547](#) [FS11V](#) [877931](#) [8808-1511-001](#) [9049-9513-000](#) [9074-9513-000](#) [9101-9573-002](#) [910A205F](#) [9130-9573-002](#) [PL11SC-026](#) [PL375-33](#) [PL40-5](#) [PL74C-221](#) [PL75MC-217](#) [PL803-7](#) [1200690078](#) [1-201144-1](#) [R107003010W](#) [R110A172100](#)