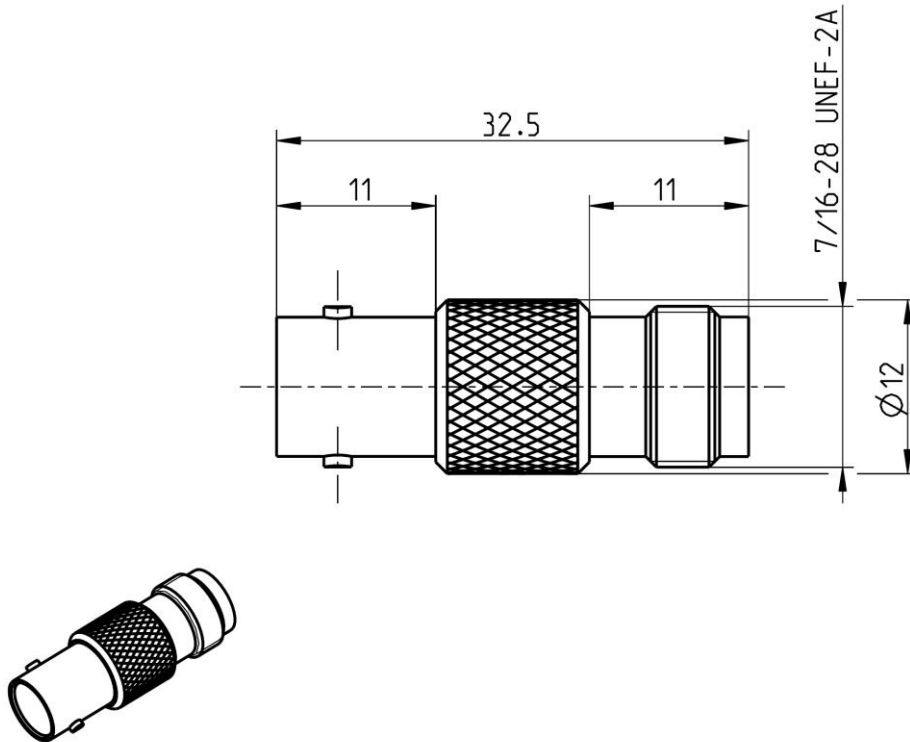


BNC 50 Ω
TNC 50 Ω

Adaptor
BNC 50 Ω Jack –
TNC 50 Ω Jack

51K156-K00N5



All dimensions are in mm; tolerances according to ISO 2768 m-H

Interface

According to	BNC side:	DIN EN 61169-8
	TNC side:	IEC 60169-17, MIL-PRF-39012, DIN EN 122200

Documents

N/A

Material and plating

Connector parts

Center contact BNC and TNC side
Outer contact BNC and TNC side
Body
Dielectric

Material

Spring bronze
Brass
Brass
PTFE

Plating

AuroDur®, gold plated
Flash white bronze over silver(e.g. Optargen®)
Flash white bronze over silver(e.g. Optargen®)

Technical Data Sheet

Rosenberger

BNC 50 Ω
TNC 50 Ω

Adaptor
BNC 50 Ω Jack –
TNC 50 Ω Jack

51K156-K00N5

Electrical data

Impedance	50 Ω
Frequency	DC to 10 GHz
Return loss	≥ 30 dB, DC to 2.5 GHz ≥ 20 dB, 2.5 to 6 GHz
Insertion loss	≤ 0.05 x √f [GHz] dB, DC to 6 GHz
Insulation resistance	≥ 5 x 10 ³ MΩ
Center contact resistance	≤ 1.5 mΩ, BNC and TNC side
Outer contact resistance	≤ 1 mΩ, BNC and TNC side
Test voltage	1500 V rms
Working voltage	400 V rms
Power handling (at 20 °C, sea level, VSWR 1.0)	≤ 80 W @ 2 GHz

Mechanical data

	BNC side	TNC side
Mating cycles	min. 500	min. 500
Center contact captivation: axial	≥ 15 N	≥ 15 N
Coupling test torque	N/A	max. 1.7 Nm
Recommended torque	N/A	0.46 Nm to 0.69 Nm

Environmental data

Temperature range	-45°C to +85°C
Thermal shock	MIL-STD-202, Meth. 107, Cond. B
Corrosion	MIL-STD-202, Meth. 101, Cond. B
Vibration	MIL-STD-202, Meth. 204, Cond. B
Shock	MIL-STD-202, Meth. 213, Cond. G
Moisture resistance	MIL-STD-202, Meth. 106
RoHS	compliant

Tooling

N/A

Suitable cables

N/A

Weight

Weight 13 g/pce

While the information has been carefully compiled to the best of our knowledge, nothing is intended as representation or warranty on our part and no statement herein shall be construed as recommendation to infringe existing patents. In the effort to improve our products, we reserve the right to make changes judged to be necessary.

For the installation of the electrotechnical equipment, particular electrotechnical expertise is required.



Draft	Date	Approved	Date	Rev.	Engineering change number	Name	Date
Chr. Entsfellner	10.07.08	Chr. Janßen	03.12.20	g00	20-1927	S. Huber-Siegl	03.12.20

Rosenberger Hochfrequenztechnik GmbH & Co. KG
P.O.Box 1260 D-84526 Tittmoning Germany
<http://www.rosenberger.com/>

Tel. : +49 8684 18-0
Email : info@rosenberger.com

Page

2 / 2

X-ON Electronics

Largest Supplier of Electrical and Electronic Components

Click to view similar products for [RF Adapters - Between Series category:](#)

Click to view products by [Rosenberger manufacturer:](#)

Other Similar products are found below :

[5945-9503-000](#) [MCX/F-SMA/M](#) [R192417010](#) [ADBJ20-E1-BJ379](#) [ADM2](#) [ADPL75-A1-PL75](#) [242191](#) [9317505](#) [29-3835P](#) [AD130](#) [ADBJ20-E1-PL74](#) [ADBJ20-E2-BJ79](#) [ADBJ77-E1-UPL20](#) [ADRMF370](#) [242215](#) [242228](#) [R125680000W](#) [R192430000](#) [UAD95](#) [1057367-1](#) [8311505](#) [R114704000](#) [R451034500](#) [R451030500](#) [R451543000](#) [HDVDPN](#) [ADBJ20-K1-PL20](#) [R451570000](#) [R192419000](#) [R451034000](#) [J9](#) [J3WE-5](#) [R451032500](#) [242201RP](#) [17K132-K00S5](#) [AD-RSMAF-RTNC](#) [53K156-K00N5](#) [02K119-K00E3](#) [29S132-K01N5](#) [53S156-K00N5](#) [02S119-S00E3](#) [28K132-K00N5](#) [02S109-K00S3](#) [27-8200TP](#) [242235](#) [ADBJ20-E1-BJ89](#) [000-2900](#) [321-102-003 \(SMA-50/2-H155/W1.03 AU\)](#) [1057377-1](#) [321-350-001 \(SMA-50-R/2-RG316/N2.01\)](#)