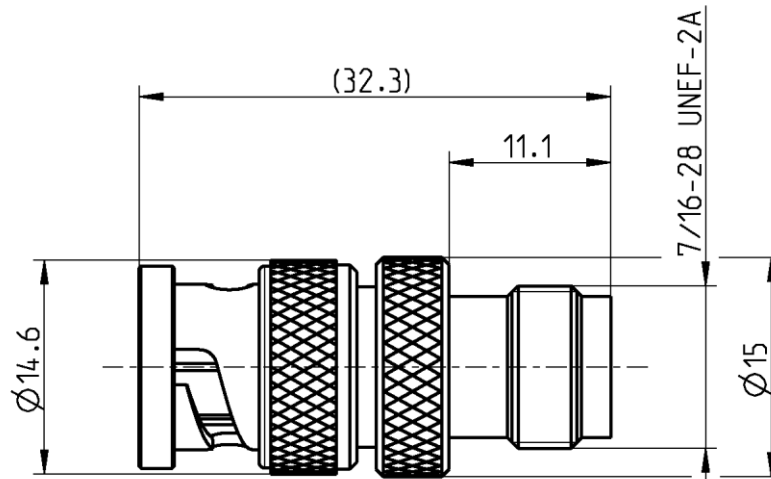


BNC 50 Ω Adaptor
 BNC 50 Ω Plug –
 TNC 50 Ω Jack

51S156-K00N5



All dimensions are in mm; tolerances according to ISO 2768 m-H

Interface

According to BNC side: DIN EN 61169-8
 TNC side: IEC 60169-17, MIL-PRF-39012, DIN EN 122200

Documents

N/A

Material and plating

Connector parts

Center contact BNC and TNC side
 Outer contact BNC and TNC side
 Body
 Dielectric
 Gasket

Material

CuBe
 Brass
 Brass
 PTFE
 NeopreneCR 50C6

Plating

AuroDur®, gold plated
 Flash white bronze over silver(e.g. Optargen®)
 Flash white bronze over silver(e.g. Optargen®)

Dieses Dokument ist urheberrechtlich geschützt • This document is protected by copyright • Rosenberger Hochfrequenztechnik GmbH & Co. KG

RFB00035/12.20/6.4

BNC 50 Ω Adaptor
BNC 50 Ω Plug –
TNC 50 Ω Jack

51S156-K00N5

Electrical data

Impedance 50 Ω
 Frequency DC to 10 GHz
 Return loss ≥ 35 dB, DC to 1 GHz
 ≥ 30 dB, 1 to 2.5 GHz
 ≥ 20 dB, 2.5 to 4 GHz
 Insertion loss ≤ 0.05 x √f [GHz] dB, DC to 4 GHz
 Insulation resistance ≥ 5 x10³ MΩ
 Center contact resistance ≤ 1.5 mΩ, BNC and TNC side
 Outer contact resistance ≤ 1 mΩ, BNC and TNC side
 Test voltage 1500 V rms
 Working voltage 400 V rms
 Power handling (at 20 °C, sea level, VSWR 1.0) ≤ 80 W @ 2 GHz

Mechanical data

	BNC side	TNC side
Mating cycles	min. 500	min. 500
Center contact captivation: axial	≥ 15 N	≥ 15 N
Coupling test torque	N/A	max. 1.7 Nm
Recommended torque	N/A	0.46 Nm to 0.69 Nm

Environmental data

Temperature range -55°C to +155°C
 Thermal shock MIL-STD-202, Meth. 107, Cond. B
 Corrosion MIL-STD-202, Meth. 101, Cond. B
 Vibration MIL-STD-202, Meth. 204, Cond. B
 Shock MIL-STD-202, Meth. 213, Cond. G
 Moisture resistance MIL-STD-202, Meth. 106
 RoHS compliant

Tooling

N/A

Suitable cables

N/A

Weight

Weight 19.2 g/pce

While the information has been carefully compiled to the best of our knowledge, nothing is intended as representation or warranty on our part and no statement herein shall be construed as recommendation to infringe existing patents. In the effort to improve our products, we reserve the right to make changes judged to be necessary.

For the installation of the electrotechnical equipment, particular electrotechnical expertise is required.



Draft	Date	Approved	Date	Rev.	Engineering change number	Name	Date
Chr. Entsfellner	17.07.08	Chr. Janßen	21.12.20	f00	20-1927	S. Huber-Siegl	21.12.20
Rosenberger Hochfrequenztechnik GmbH & Co. KG P.O.Box 1260 D-84526 Tittmoning Germany www.rosenberger.com						Tel. : +49 8684 18-0 Email : info@rosenberger.com	
						Page 2 / 2	

X-ON Electronics

Largest Supplier of Electrical and Electronic Components

Click to view similar products for [RF Adapters - Between Series](#) category:

Click to view products by [Rosenberger](#) manufacturer:

Other Similar products are found below :

[5945-9503-000](#) [MCX/F-SMA/M](#) [R192417010](#) [ADBJ20-E1-BJ379](#) [ADM2](#) [ADPL75-A1-PL75](#) [242191](#) [9317505](#) [29-3835P](#) [AD130](#) [ADBJ20-E1-PL74](#) [ADBJ20-E2-BJ79](#) [ADBJ77-A1-PL375](#) [ADBJ77-E1-UPL20](#) [ADRMF370](#) [242215](#) [242228](#) [R125680000W](#) [R192430000](#) [UAD95](#) [1057367-1](#) [8311505](#) [R114704000](#) [R451034500](#) [R451030500](#) [R451543000](#) [HDVDPN](#) [ADBJ20-K1-PL20](#) [R451570000](#) [R451034000](#) [J9](#) [J3WE-5](#) [R451032500](#) [242201RP](#) [17K132-K00S5](#) [AD-RSMAF-RTNC](#) [53K156-K00N5](#) [02K119-K00E3](#) [29S132-K01N5](#) [53S156-K00N5](#) [02S119-S00E3](#) [28K132-K00N5](#) [02S109-K00S3](#) [27-8200TP](#) [242235](#) [ADBJ20-E1-BJ89](#) [000-2900](#) [321-102-003 \(SMA-50/2-H155/W1.03 AU\)](#) [1057377-1](#) [321-350-001 \(SMA-50-R/2-RG316/N2.01\)](#)