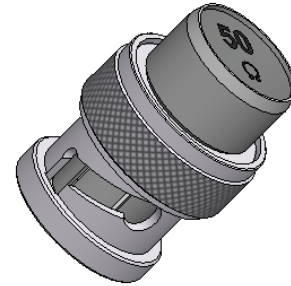
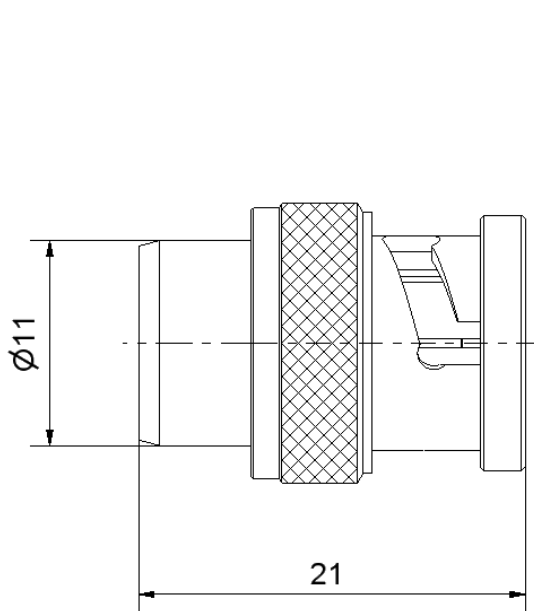


BNC 50 Ω

Termination
Plug 1 Watt

51S1RR-001N4



All dimensions are in mm; tolerances according to ISO 2768 m-H

Interface

According to IEC 61169-8

Documents

N/A

Material and plating

Connector parts

Center contact
Outer contact
Body
Dielectric
Substrate
Gasket

Material

Brass
Brass
Brass
PTFE
Al₂O₃
NeoprenCR 50C6

Plating

Gold, min. 0.8 μm, over nickel
White bronze(e.g. Optalloy®)
White bronze(e.g. Optalloy®)

BNC 50 Ω

Termination
Plug 1 Watt

51S1RR-001N4

Electrical data

Impedance 50 Ω
 Frequency DC to 2 GHz
 Return loss ≥ 20.8 dB, DC to 1 GHz
 ≥ 15.6 dB, 1 GHz to 2 GHz
 Power handling (at 20 °C, sea level, VSWR 1.0) 1 W at 25°C
 derated linearity to 0 Watts at 125°C

Mechanical data

Mating cycles ≥ 500
 Center contact captivation) ≥ 27 N

Environmental data

Temperature range -55°C to +155°C
 RoHS compliant

Tooling

N/A

Suitable cables

N/A

Weight

10.0 g/pce

While the information has been carefully compiled to the best of our knowledge, nothing is intended as representation or warranty on our part and no statement herein shall be construed as recommendation to infringe existing patents. In the effort to improve our products, we reserve the right to make changes judged to be necessary.

Draft	Date	Approved	Date	Rev.	Engineering change number	Name	Date
Kerstin Herzog	19.08.04	F. Reiner	20.06.18	c01	18-1026	M.Ruf	20.06.18

X-ON Electronics

Largest Supplier of Electrical and Electronic Components

Click to view similar products for [RF Terminators](#) category:

Click to view products by [Rosenberger](#) manufacturer:

Other Similar products are found below :

[M390303-02N](#) [M39030/3-04S](#) [M39030/3-09S](#) [M39030/3-11N](#) [TNG1-9-78-D3](#) [TNA2-50](#) [TNG1-6-78](#) [TNH1-1-50](#) [TNGFL1-1-78](#)
[R4042N5000](#) [53S1RR-001N3](#) [142275](#) [56S1RR-001N4](#) [65_BNC-50-0-7/133_NE](#) [71S1RR-001N4](#) [02S17R-001D3](#) [R404240120](#) [R404260000](#)
[HT-10-2](#) [FL LCX 50-OHM-RSMA](#) [M39030/3-04N](#) [TNA1-6-50](#) [131-3801-811](#) [TNA1-1-50](#) [65_N-50-0-51/113_NE](#) [65_BNC-50-0-2/133_NE](#)
[65_N-50-0-1/133_NE](#) [65002_N-50-1/122_NE](#) [65_MMCX-50-0-31/111_OE](#) [18K15R-0.5E3](#) [2702702](#) [TRM-2161-M0-35M-02](#) [53S17R-](#)
[001N3](#) [1100.19.0001](#) [6701.01.B](#) [18S24H-40ML5](#) [TRM-2053-M0-NNN-02](#) [R404759000](#) [M39030/6-02N](#) [TRM-2053-MC-NNN-02](#)
[M39030/3-03S](#) [SF8012-6009](#) [6701.01.A](#) [65_MCX-50-0-4/111_NE](#) [65_716-50-0-2/003_-E](#) [65_SMB-50-0-1/111_NE](#) [M39030/3-12N](#) [82-](#)
[5722-RFX](#) [8018-6174](#) [SF8018-6005](#)