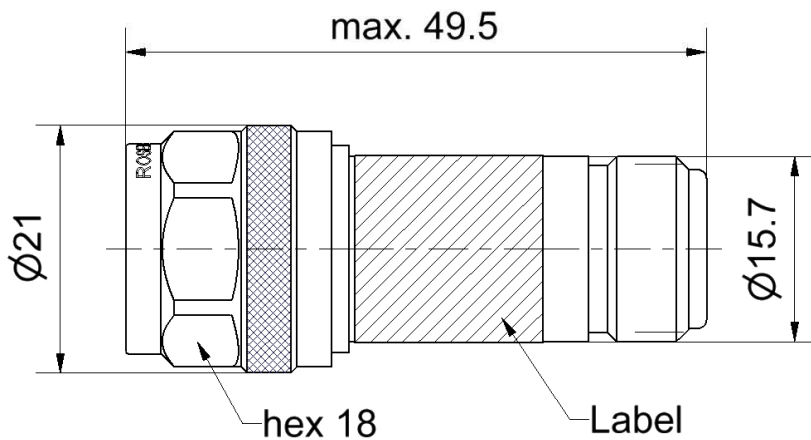


N 50 Ω

Attenuator  
Plug/Jack

**53AS102-K20N3**



All dimensions are in mm; tolerances according to ISO 2768 m-H

**Interface**

According to IEC 61169-16

**Documents**

N/A

**Material and plating**

**Connector parts**

- Center contact - plug
- Center contact - jack
- Outer contact
- Coupling nut
- Dielectric
- Substrate

**Material**

- Brass
- CuBe
- Brass
- Brass
- PTFE
- Al<sub>2</sub>O<sub>3</sub>

**Plating**

- Gold, min. 1.27 µm, over nickel
- Gold, min. 1.27 µm, over nickel
- Flash white bronze over silver(e.g. Optargen®)
- Flash white bronze over silver(e.g. Optargen®)

Dieses Dokument ist urheberrechtlich geschützt • This document is protected by copyright • Rosenberger Hochfrequenztechnik GmbH & Co. KG

RF\_35/09;14/6.2

N 50 Ω

Attenuator  
Plug/Jack

**53AS102-K20N3**

**Electrical data**

Impedance 50 Ω  
 Frequency DC to 12.4 GHz  
 Return loss ≥ 26.4 dB, DC to 4 GHz  
 ≥ 20.8 dB, 4 GHz to 10 GHz  
 ≥ 19.1 dB, 10 to 12.4 GHz  
 Attenuation 20 dB ± 0.3 dB, DC to 4 GHz  
 20 dB ± 0.6 dB, 4 GHz to 8 GHz  
 20 dB ± 1.0 dB, 8 GHz to 12.4 GHz  
 Power handling 2 W at 25°C  
 derated linearity to 0 Watts at 125°C

**Mechanical data**

Mating cycles ≥ 500  
 Coupling nut retention ≥ 450 N  
 Center contact captivation ≥ 28 N  
 Maximum torque 1.70 Nm  
 Recommended torque 0.70 Nm to 1.10 Nm

**Environmental data**

Operating temperature range<sup>1</sup> 0 °C to +50 °C  
 Storage temperature range -40 °C to +85 °C  
 RoHS compliant

<sup>1</sup> Temperature range over which these specifications are valid.

**Packing**

Standard 1 pce in bag  
 Weight 67.0 g/pce

While the information has been carefully compiled to the best of our knowledge, nothing is intended as representation or warranty on our part and no statement herein shall be construed as recommendation to infringe existing patents. In the effort to improve our products, we reserve the right to make changes judged to be necessary.

Dieses Dokument ist urheberrechtlich geschützt • This document is protected by copyright • Rosenberger Hochfrequenztechnik GmbH & Co. KG

RF\_35/09;14/6.2

Draft	Date	Approved	Date	Rev.	Engineering change number	Name	Date
Kerstin Herzog	06.01.05	Lars Ramtke	22.01.16	b00	16-0025	Marion Striegler	22.01.16

Rosenberger Hochfrequenztechnik GmbH & Co. KG P.O.Box 1260 D-84526 Tittmoning Germany www.rosenberger.de	Tel. : +49 8684 18-0 Email : info@rosenberger.de	Page 2 / 2
--	---	---------------

## X-ON Electronics

Largest Supplier of Electrical and Electronic Components

*Click to view similar products for [Attenuators - Interconnects](#) category:*

*Click to view products by [Rosenberger](#) manufacturer:*

Other Similar products are found below :

[R411803119](#) [R413806115](#) [R413808000](#) [R413810115](#) [R413850115](#) [R414510000](#) [R414701000](#) [BNC-13](#) [R411800121](#) [R411801121](#)  
[R412412124](#) [R412450000](#) [R413800000](#) [R413805000](#) [R413830000](#) [R413840115](#) [R414730000](#) [R415420000](#) [R415703000](#) [R416010000](#)  
[R420003110](#) [R411801000](#) [R411815121](#) [R413305000](#) [R413801000](#) [R414520000](#) [R411808121](#) [R412500124](#) [R412414124](#) [R412501124](#)  
[HMC-C584](#) [R413802000](#) [R412400124](#) [R411700124](#) [R417310130](#) [R411801119](#) [R412419124](#) [R411703124](#) [R412401124](#) [R443131000](#)  
[R417130110](#) [R414700000](#) [R414505000](#) [R411802119](#) [R417720128](#) [R420706110](#) [R413811000](#) [R413803115](#) [R414501000](#) [R417903128](#)