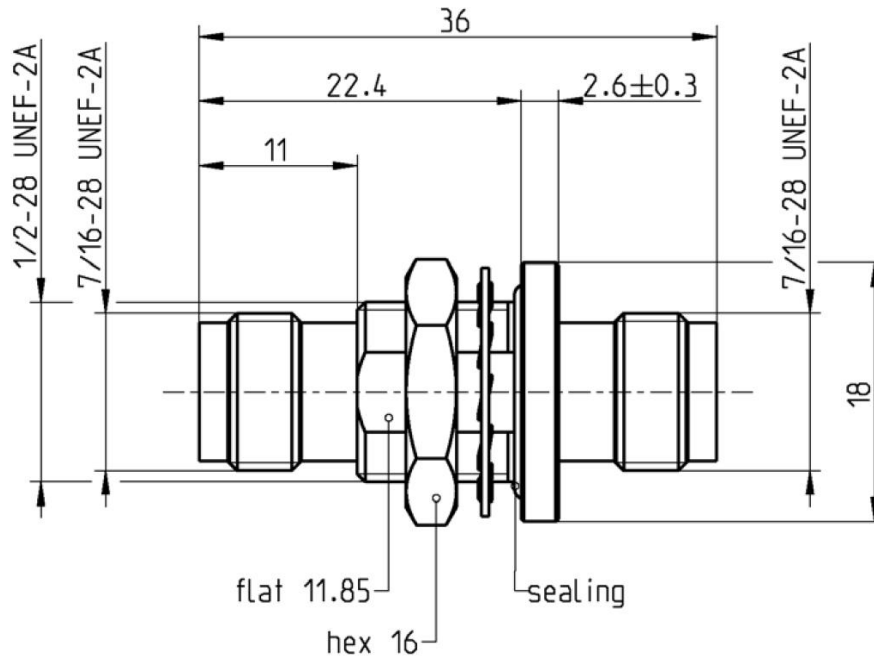


TNC 50 Ω

ADAPTOR  
JACK - JACK

**56K501-K00N5**



All dimensions are in mm; tolerances according to ISO 2768 m-H

**Interface**

According to IEC 60169-17, MIL-PRF-39012, DIN EN 122200

**Documents**

Panel piercing B 3

**Material and plating**

**Connector parts**

- Center contact
- Outer contact
- Body
- Dielectric
- Gasket

**Material**

- CuBe
- Brass
- Brass
- PTFE
- NBR

**Plating**

- AuroDur®, gold plated
- Flash white bronze over silver(e.g. Optargen®)
- Flash white bronze over silver(e.g. Optargen®)

Dieses Dokument ist urheberrechtlich geschützt • This document is protected by copyright • Rosenberger Hochfrequenztechnik GmbH & Co. KG

RF\_35/08.13/6.1

TNC 50 Ω

ADAPTOR  
JACK - JACK

**56K501-K00N5**

**Electrical data**

Impedance 50 Ω  
 Frequency DC to 10 GHz  
 Return loss ≥ 30 dB @ DC to 2.5 GHz  
 ≥ 20 dB @ 2.5 GHz to 6 GHz  
 Insertion loss ≤ 0.05 x √ f [GHz] dB, DC to 6 GHz  
 Insulation resistance ≥ 5 GΩ  
 Center contact resistance ≤ 1.5 mΩ  
 Outer contact resistance ≤ 1 mΩ  
 Test voltage (at sea level) 1500 V rms  
 Working voltage (at sea level) 500 V rms  
 Power handling (at 20 °C, sea level, VSWR 1.0) 80 W @ 2 GHz

**Mechanical data**

Mating cycles ≥ 500  
 Center contact captivation: axial ≥ 15 N  
 Coupling test torque ≤ 1.7 Nm  
 Recommended torque 0.46 Nm to 0.69 Nm

**Environmental data**

Temperature range -25 °C to +110 °C  
 Thermal shock MIL-STD-202, Method 107, Condition B  
 Corrosion MIL-STD-202, Method 101, Condition B  
 Vibration MIL-STD-202, Method 204, Condition B  
 Shock MIL-STD-202, Method 213, Condition G  
 Moisture resistance MIL-STD-202, Method 106  
 Degree of protection (mated pair) IEC 60529, IP 68 (assembled in housing)  
 RoHS compliant

**Tooling**

N/A

**Suitable cables**

N/A

**Weight**

Weight 22.1 g/pce

While the information has been carefully compiled to the best of our knowledge, nothing is intended as representation or warranty on our part and no statement herein shall be construed as recommendation to infringe existing patents. In the effort to improve our products, we reserve the right to make changes judged to be necessary.

For the installation of the electrotechnical equipment, particular electrotechnical expertise is required.



Dieses Dokument ist urheberrechtlich geschützt • This document is protected by copyright • Rosenberger Hochfrequenztechnik GmbH & Co. KG

RF\_35/08\_13/6.1

Draft	Date	Approved	Date	Rev.	Engineering change number	Name	Date
Inge Mühlauer	10.08.04	Chr. Janßen	28.01.21	e00	20-1927	S. Huber-Siegl	28.01.21

Rosenberger Hochfrequenztechnik GmbH & Co. KG P.O.Box 1260 D-84526 Tittmoning Germany <a href="http://www.rosenberger.com">www.rosenberger.com</a>				Tel. : +49 8684 18-0 Email : <a href="mailto:info@rosenberger.com">info@rosenberger.com</a>			Page 2 / 2
--	--	--	--	--	--	--	---------------

## X-ON Electronics

Largest Supplier of Electrical and Electronic Components

*Click to view similar products for [RF Adapters - In Series](#) category:*

*Click to view products by [Rosenberger](#) manufacturer:*

Other Similar products are found below :

[5916-1103-603](#) [5919-1503-000](#) [5919-9503-000](#) [651A505](#) [82-5552](#) [9030-9523-502](#) [PN2C](#) [A0407000](#) [R114703000W](#) [R125771001](#)  
[R127871001](#) [R141710000W](#) [R141723161](#) [R141730000](#) [R143730700](#) [R143770000](#) [R161703000W](#) [R161753000W](#) [R161791530W](#)  
[R201705000](#) [R222705200](#) [R222M40010W](#) [R222M40050](#) [R223703180](#) [R316754000](#) [R405006000](#) [R443162000](#) [AD78TL](#) [HRM-513S](#)  
[1996352-2](#) [2157155-1](#) [252169-75](#) [AD158](#) [2101130-1](#) [252186](#) [R114704000W](#) [R114720000W](#) [R125705001](#) [R125705701](#) [R125771000](#)  
[R125771001W](#) [R127704001](#) [R127.870.001](#) [R127872001](#) [R141717000](#) [R142710000](#) [R142723000](#) [R143703000](#) [R143704000](#) [R143705700](#)