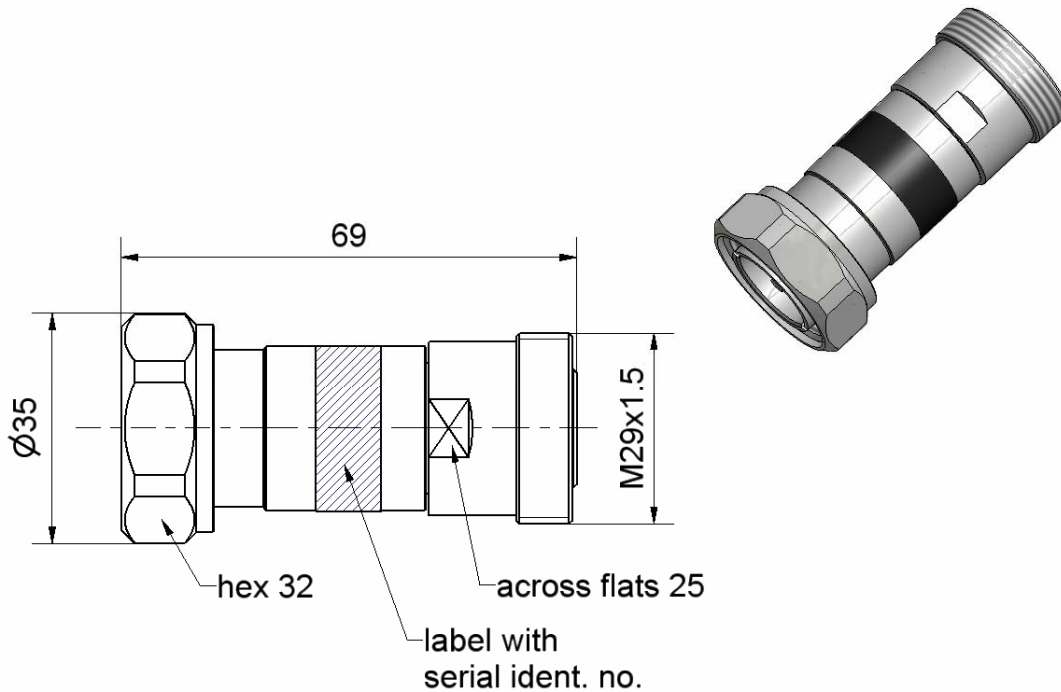


7/16  
50Ω

ATTENUATOR PLUG/JACK

**60AS105-K40N1**



All dimensions are in mm; tolerances according to ISO 2768 m-H

**Interface**

According to IEC 60169-4, VG 95250, EN 122190, DIN 47223

**Documents**

N/A

**Material and plating**

**Connector parts**

Center contact - plug  
Center contact - jack  
Outer contact  
Body  
Coupling nut  
Dielectric  
Substrate

**Material**

Brass  
Beryllium copper  
Brass  
Brass  
Brass  
PPE  
ALN

**Plating**

Silver, 3-6 µm  
Silver, 3-6 µm  
Flash white bronze over silver(e.g. Optargen®)  
Flash white bronze over silver(e.g. Optargen®)  
Flash white bronze over silver(e.g. Optargen®)

7/16  
50Ω

ATTENUATOR PLUG/JACK

**60AS105-K40N1**

**Electrical data**

Impedance 50 Ω  
 Frequency DC to 8 GHz  
 Return loss ≥ 30.7 dB, DC to 1 GHz  
 ≥ 26.4 dB, 1 GHz to 2 GHz  
 ≥ 20.0 dB, 2 GHz to 8 GHz  
 Attenuation 40 dB  
 Tolerances ≤ ± 0.4 dB, DC to 2 GHz  
 ≤ ± 0.5 dB, 2 GHz to 4 GHz  
 ≤ ± 1.2 dB, 4 GHz to 8 GHz  
 Center contact resistance ≤ 4.0 mΩ  
 Outer contact resistance ≤ 1.5 mΩ  
 Power handling 5 W at 25°C  
 derated linearity to 0 Watts at 125°C

**Mechanical data**

Mating cycles min. 500  
 Coupling nut retention ≥ 1000 N  
 Center contact captivation ≥ 200 N  
 Coupling test torque max. 35 Nm  
 Recommended torque 25 Nm to 30 Nm

**Environmental data**

Temperature range -65°C to +85°C  
 2002/95/EC (RoHS) compliant

**Tooling**

N/A

**Suitable cables**

N/A

**Packing**

Standard 1 pce in bag  
 Weight 222 g/pce

While the information has been carefully compiled to the best of our knowledge, nothing is intended as representation or warranty on our part and no statement herein shall be construed as recommendation to infringe existing patents. In the effort to improve our products, we reserve the right to make changes judged to be necessary.

Draft	Date	Approved	Date	Rev.	Engineering change number	Name	Date
Kerstin Herzog	23/03/05	Frank Weiß	10/06/08	d00	08-0348	Kerstin HobraK	11/06/08
Rosenberger Hochfrequenztechnik GmbH & Co. KG P.O.Box 1260 D-84526 Tittmoning Germany <a href="http://www.rosenberger.de">www.rosenberger.de</a>					Tel.: +49 8684 18-0 Fax: +49 8684 18-499 email: <a href="mailto:info@rosenberger.de">info@rosenberger.de</a>		Page 2 / 2

## X-ON Electronics

Largest Supplier of Electrical and Electronic Components

*Click to view similar products for [Attenuators - Interconnects](#) category:*

*Click to view products by [Rosenberger](#) manufacturer:*

Other Similar products are found below :

[R411803119](#) [R413806115](#) [R413808000](#) [R413810115](#) [R413850115](#) [R414510000](#) [R414701000](#) [BNC-13](#) [R411800121](#) [R411801121](#)  
[R412412124](#) [R412450000](#) [R413800000](#) [R413805000](#) [R413830000](#) [R413840115](#) [R414730000](#) [R415420000](#) [R415703000](#) [R416010000](#)  
[R420003110](#) [R411801000](#) [R411815121](#) [R413305000](#) [R413801000](#) [R414520000](#) [R411808121](#) [R412500124](#) [R412414124](#) [R412501124](#)  
[HMC-C584](#) [R413802000](#) [R412400124](#) [R411700124](#) [R417310130](#) [R411801119](#) [R412419124](#) [R411703124](#) [R412401124](#) [R443131000](#)  
[R417130110](#) [R414700000](#) [R414505000](#) [R411802119](#) [R417720128](#) [R420706110](#) [R413811000](#) [R413803115](#) [R414501000](#) [R417903128](#)