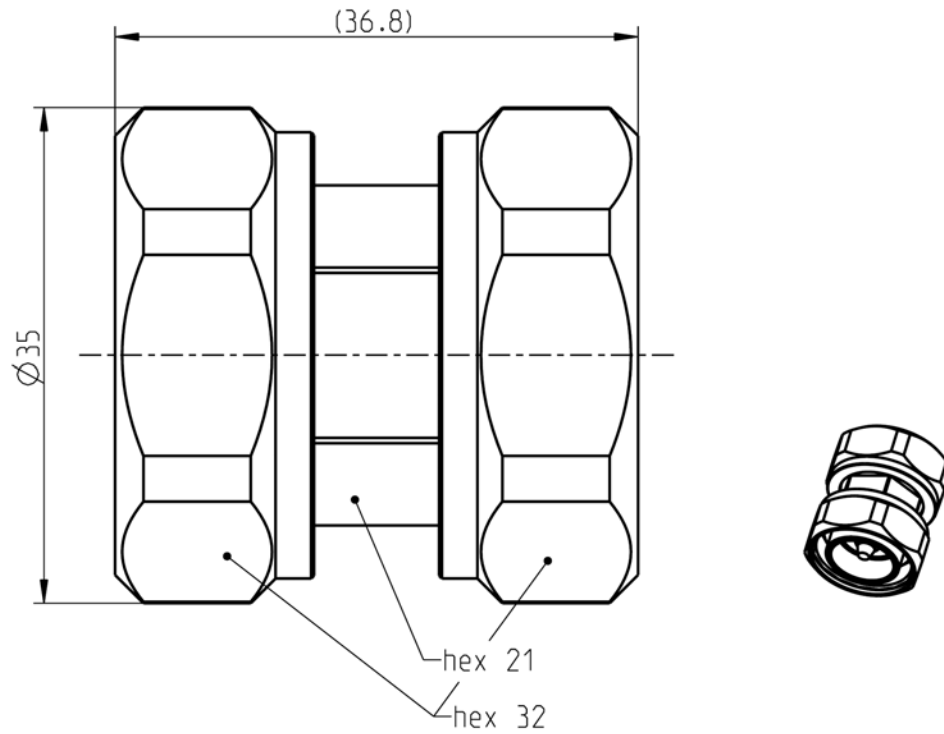


7-16

Adaptor
Plug - Plug

60S101-SIMN1



All dimensions are in mm; tolerances according to ISO 2768 m-H

Interface

According to

IEC 61169-4, EN 122190, DIN 47223

Material and Plating

Connector parts

- Center contact
- Outer contact
- Dielectric
- Gasket

Material

- Brass
- Brass
- PTFE
- Silicone

Plating

- Silver, 3-6 µm
- Flash white bronze over silver(e.g. Optargen®)

Dieses Dokument ist urheberrechtlich geschützt • This document is protected by copyright • Rosenberger Hochfrequenztechnik GmbH & Co. KG

RF_35/05.10/6.0

7-16

Adaptor
Plug - Plug

60S101-SIMN1

Electrical Data

Impedance	50 Ω
Frequency	DC to 7.5 GHz
Return loss	≥ 40 dB @ DC to 3 GHz ≥ 35 dB @ 3 GHz to 4.5 GHz ≥ 30 dB @ 4.5 GHz to 7.5 GHz ≥ 25 dB @ 7.5 GHz to 8.3 GHz
Insertion loss	≤ 0.5 x √f [GHz] dB
Insulation resistance	≥ 10 GΩ
Center contact resistance	≤ 0.4 mΩ
Outer contact resistance	≤ 1.5 mΩ
Working voltage (at sea level)	500 V rms
Power handling (at 20 °C, sea level, VSWR 1.0)	1800 W @ 1 GHz 800 W @ 4 GHz
RF-leakage	≥ 128 dB @ DC to 1 GHz
Intermodulation (3 rd order)	≤ -128 dBm @ 2 x 20 W

Mechanical Data

Mating cycles	≥ 500
Coupling nut retention	≥ 1000 N
Center contact captivation: axial	≥ 200 N
radial	≥ 2 Ncm
Coupling torque (recommended)	25 to 30 Nm
Proof torque	≤ 35 Nm

Environmental Data

Temperature range	-55 °C to +155 °C
Rapid change of temperature	DIN EN 122190, Sub-clause 4.6.7
Corrosion resistance	DIN EN 122190, Sub-clause 4.6.10
Vibration	DIN EN 122190, Sub-clause 4.6.3
Climatic category	DIN EN 122190, Sub-clause 4.6.5 (55/155/56)
Damp heat	DIN EN 122190, Sub-clause 4.6.6
Degree of protection (mated pair)	IEC 60529, IP68 2.5 bar 1h
RoHS	compliant

Weight

Weight	125 g/pc
--------	----------

While the information has been carefully compiled to the best of our knowledge, nothing is intended as representation or warranty on our part and no statement herein shall be construed as recommendation to infringe existing patents. In the effort to improve our products, we reserve the right to make changes judged to be necessary.

Draft	Date	Approved	Date	Rev.	Engineering change number	Name	Date
Benjamin Kaindl	12.03.12	J_Gramsamer	01.04.15	b00	15-0397	J_Krautenb.	01.04.15
Rosenberger Hochfrequenztechnik GmbH & Co. KG P.O.Box 1260 D-84526 Tittmoning Germany www.rosenberger.de					Tel. : +49 8684 18-0 Email : info@rosenberger.de		Page 2 / 2

Dieses Dokument ist urheberrechtlich geschützt • This document is protected by copyright • Rosenberger Hochfrequenztechnik GmbH & Co. KG

RF_35/05.10/6.0

X-ON Electronics

Largest Supplier of Electrical and Electronic Components

Click to view similar products for [RF Adapters - In Series](#) category:

Click to view products by [Rosenberger](#) manufacturer:

Other Similar products are found below :

[5916-1103-603](#) [5919-1503-000](#) [651A505](#) [82-5552](#) [9030-9523-502](#) [PN2C](#) [A0407000](#) [R114703000W](#) [R125771001](#) [R141710000W](#)
[R141723161](#) [R141730000](#) [R143730700](#) [R143770000](#) [R161703000W](#) [R161753000W](#) [R161791530W](#) [R201705000](#) [R222705200](#)
[R222M40010W](#) [R223703180](#) [R316754000](#) [R405006000](#) [R443162000](#) [AD78TL](#) [HRM-513S](#) [1996352-2](#) [2157155-1](#) [252169-75](#) [AD158](#)
[2101130-1](#) [252186](#) [R114704000W](#) [R114720000W](#) [R125705001](#) [R125705701](#) [R125771000](#) [R125771001W](#) [R127704001](#) [R127.870.001](#)
[R127872001](#) [R141717000](#) [R142710000](#) [R142723000](#) [R143703000](#) [R143704000](#) [R143705700](#) [R161715000W](#) [R161771000W](#) [R176754000](#)