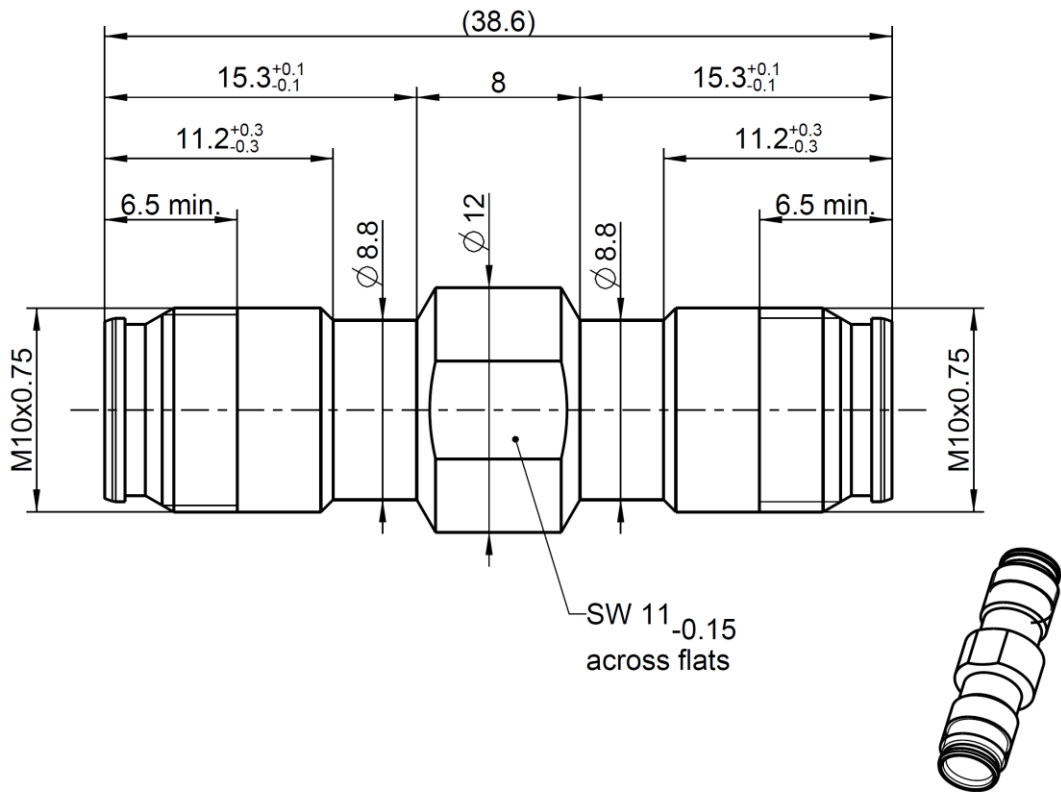


NEX10

Adaptor
NEX10® Jack - NEX10® Jack

89K101-K00N1



All dimensions are in mm; tolerances according to ISO 2768 m-H

Interface

According to NEX10®

Material and Plating

Connector parts

Center contact
Outer contact
Body
Dielectric

Material

CuBe
Brass
Brass
PTFE

Plating

Silver, 3-6 μ m
White bronze(e.g. Optalloy®)
White bronze(e.g. Optalloy®)

Dieses Dokument ist urheberrechtlich geschützt • This document is protected by copyright • Rosenberger Hochfrequenztechnik GmbH & Co. KG

RFB00035/12.20/6.4

NEX10

Adaptor
NEX10® Jack - NEX10® Jack

89K101-K00N1

Electrical Data

Impedance 50 Ω
 Frequency DC to 20 GHz
 Return loss ≥ 30 dB @ DC to 4 GHz
 ≥ 28 dB @ 4 GHz to 6 GHz
 ≥ 25 dB @ 6 GHz to 10 GHz
 Insertion loss ≤ 0.05 x √ f [GHz] dB
 Insulation resistance ≥ 5 GΩ
 Center contact resistance ≤ 2.0 mΩ,
 Outer contact resistance ≤ 1.0 mΩ,
 Working voltage 500 V rms
 RF-leakage ≥ 110 dB @ DC to 6 GHz (tool tightened plugs)
 Power handling 100 W @ 2.0 GHz and 85 °C ambient temperature

Mechanical Data

Mating cycles ≥ 100
 Recommended torque 1.5 Nm

Environmental Data

Temperature range -55 °C to +125 °C operating temperature
 Thermal shock IEC 61169-1 9.4.4
 Vibration IEC 61169-1 9.3.3 and IEC 60068-2-64
 Shock IEC 61169-1 9.3.14
 Degree of protection (mated pair) IEC 60529, IP68 24h / 1m
 RoHS compliant

Tooling

N/A

Suitable Cables

N/A

Weight

17.5 g/pc

While the information has been carefully compiled to the best of our knowledge, nothing is intended as representation or warranty on our part and no statement herein shall be construed as recommendation to infringe existing patents. In the effort to improve our products, we reserve the right to make changes judged to be necessary.

For the installation of the electrotechnical equipment, particular electrotechnical expertise is required.



Draft	Date	Approved	Date	Rev.	Engineering change number	Name	Date
F. Fraunhofer	15.12.2017	Chr. Janßen	02.02.2021	b00	20-1927	B. Wollitzer	02.02.2021
Rosenberger Hochfrequenztechnik GmbH & Co. KG P.O.Box 1260 D-84526 Tittmoning Germany www.rosenberger.com						Tel. : +49 8684 18-0 Email : info@rosenberger.com	
						Page 2 / 2	

X-ON Electronics

Largest Supplier of Electrical and Electronic Components

Click to view similar products for [RF Adapters - In Series](#) category:

Click to view products by [Rosenberger](#) manufacturer:

Other Similar products are found below :

[5916-1103-603](#) [5919-1503-000](#) [5919-9503-000](#) [651A505](#) [82-5552](#) [9030-9523-502](#) [PN2C](#) [A0407000](#) [R114703000W](#) [R125771001](#)
[R127871001](#) [R141710000W](#) [R141723161](#) [R141730000](#) [R143730700](#) [R143770000](#) [R161703000W](#) [R161753000W](#) [R161791530W](#)
[R201705000](#) [R222705200](#) [R222M40010W](#) [R222M40050](#) [R223703180](#) [R316754000](#) [R405006000](#) [R443162000](#) [AD78TL](#) [HRM-513S](#)
[1996352-2](#) [2157155-1](#) [252169-75](#) [AD158](#) [2101130-1](#) [252186](#) [R114704000W](#) [R114720000W](#) [R125705001](#) [R125705701](#) [R125771000](#)
[R125771001W](#) [R127704001](#) [R127.870.001](#) [R127872001](#) [R141717000](#) [R142710000](#) [R142723000](#) [R143703000](#) [R143704000](#) [R143705700](#)