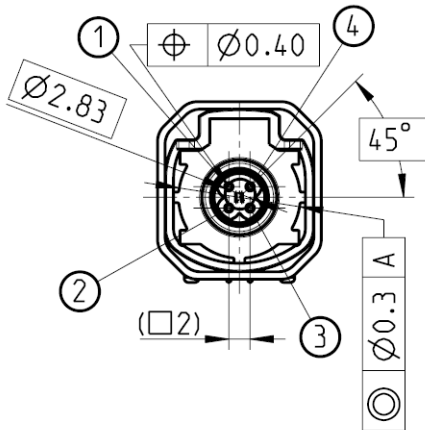
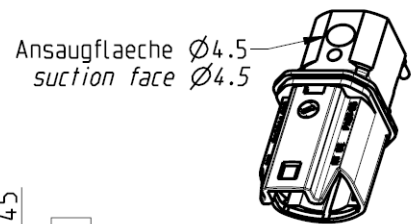
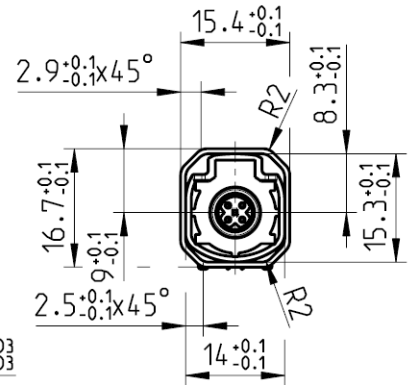
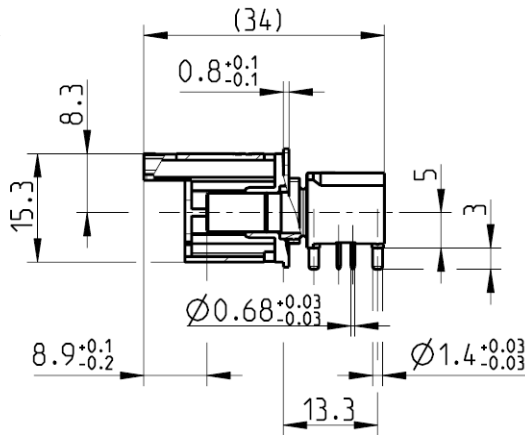
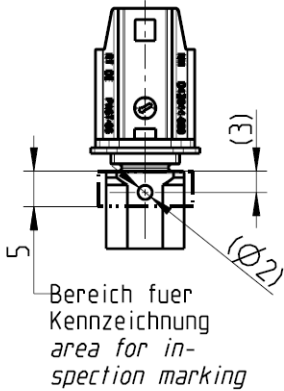
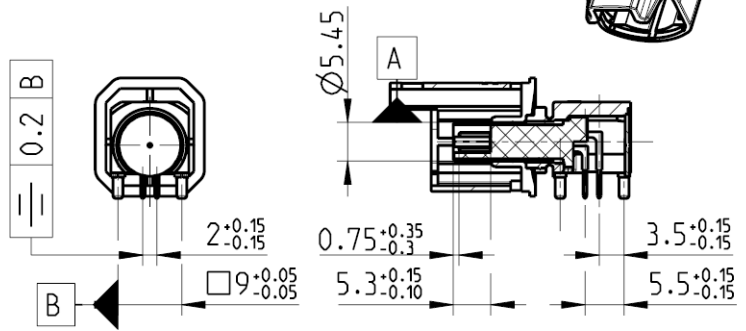


Gutteil Kennzeichnung  
quality inspection marking



○ = Pinbelegung / pinning



All dimensions are in mm; tolerances according to ISO 2768 m-H  
EMC-screening must be assured by chassis compartment. Control box manufacturer is responsible for EMC-screening.  
The plastic housing has to be sealed to the chassis.

**Interface**

According to RN 061-01

**Remarks**

Available Waterproof jack for the Inline connection D4K14A-1D5A5-Y

**Documents**

Assembly instruction MA\_D4V024  
PCB layout MB\_261  
Pinning instruction RN 053-01  
Test specification RN 061-01

**Material and plating****Connector parts**

Center contact

Outer contact 1 (Interface)

Outer contact 2 (PCB)

Cover

Dielectric

Housing

**Material**

Spring bronze

Brass

Zinc Alloy

Alpaca

LCP

PA 6T/66

**Plating**

Gold, 0.15 µm (Interface)

Tin, 0.5-2 µm (PCB)

Nickel, 2.5-5 µm

Tin, 6-8 µm

**Electrical data**

Impedance, differential mode

100 Ω differential signalling, for one pair or quad cable shielded

Frequency

DC to 2.0 GHz

Return loss

≥ 20 dB to 1.0 GHz

≥ 17 dB to 2.0 GHz

Insertion loss

≤ 0.1 dB @ 1.0 GHz

Skew (between signal contacts)

≤ 5 psec.

Nearend-Crosstalk

≤ 30 dB

Farend-Crosstalk

≤ 35 dB

Insulation resistance

≥ 1x10<sup>3</sup> MΩ

Signal contact resistance

≤ 10 mΩ

Outer contact resistance

≤ 7.5 mΩ

Test voltage

250 V rms

Working voltage

100 V rms

Power current

≤ 1.5 A DC

RF-leakage ( shielding effectiveness )

≥ 75 dB up to 1 GHz (IEC 62153-4-7)

≥ 65 dB up to 2 GHz (IEC 62153-4-7)

**Mechanical data**

Mating cycles

≥ 25

Engagement force

≤ 40 N

Disengagement force

≥ 5 N

Retention force primary lock

≥ 80 N

Coding efficiency

≥ 80 N

**Environmental data**

Temperature range

-40°C to +105°C

Thermal shock

DIN IEC 60068-2-14 (-40°C - +105°C)

Temperature humidity cycling

USCar 2 – 4 – 5.6.2 (test temperature 105°C)

Vibration

DIN IEC 60068-2-64 (class 2)

Mechanical shock

DIN IEC 60068-2-27

Dry Heat

DIN IEC 60068-2-2 (temperature 105°C)

Max. soldering temperature

+260°C for 10 sec.

Water resistant

DIN 40050 IPX6K/IPX9K

Waterproof engine compartment connector  
2002/95/EC (RoHS)LV 214 Test group B,C  
compliant

HSD RIGHT ANGLE PLUG FOR PCB

**D4S24D-400A5-Y**

**Tooling**

N/A

**Suitable cables**

N/A

**Packing**

Standard








25 pcs in blister

Weight

9.5 g/pce

**Coding**

Part Number has to be accomplished by codification

Coding	Plug	Colour	RAL	Part-Number
A		black	sim. 9005	D4S24D-400A5-A
B		white	sim. 9001	D4S24D-400A5-B
C		blue	sim. 5005	D4S24D-400A5-C
D		bordeaux	sim. 4004	D4S24D-400A5-D
E		green	sim. 6002	D4S24D-400A5-E
F		brown	sim. 8011	D4S24D-400A5-F
Z		waterblue	sim. 5021	D4S24D-400A5-Z

While the information has been carefully compiled to the best of our knowledge, nothing is intended as representation or warranty on our part and no statement herein shall be construed as recommendation to infringe existing patents. In the effort to improve our products, we reserve the right to make changes judged to be necessary.

Draft	Date	Approved	Date	Rev.	Engineering change number	Name	Date
M. Singhammer	21/11/07	Lankes	26.06.10	c00	10-0408	M. Pemwieser	10/06/10

Rosenberger Hochfrequenztechnik GmbH & Co. KG  
 P.O.Box 1260 D-84526 Tittmoning Germany  
[www.rosenberger.de](http://www.rosenberger.de)

Tel.: +49 8684 18-0  
 Fax: +49 8684 18-499  
 email: [info@rosenberger.de](mailto:info@rosenberger.de)

Page

3 / 3

## X-ON Electronics

Largest Supplier of Electrical and Electronic Components

*Click to view similar products for [RF Connectors / Coaxial Connectors](#) category:*

*Click to view products by [Rosenberger](#) manufacturer:*

Other Similar products are found below :

[8915-1511-000](#) [89674-0827](#) [6001-7071-019](#) [6002-7051-003](#) [6059674-1](#) [619550-1](#) [630059-000](#) [M39030/3-01N](#) [6769](#) [CX050L2AQ](#) [7002-1541-010](#) [7002-1542-011](#) [7002-1572-002](#) [7003-1542-011](#) [7004-1512-000](#) [7009-1511-004](#) [7010-1511-000](#) [7029-1511-060](#) [7101-1541-010](#) [7101-1571-002](#) [7145-1521-002](#) [7203-1571-003](#) [7209-1511-011](#) [7210-1511-015](#) [7210-1511-019](#) [73137-5015](#) [73216-2241](#) [73404-2300](#) [7405-1521-005](#) [7405-1521-802](#) [8527](#) [8547](#) [FS11V](#) [9049-9513-000](#) [9074-9513-000](#) [910A205F](#) [PL11SC-026](#) [PL375-33](#) [PL40-5](#) [PL74C-221](#) [PL75MC-217](#) [PL803-7](#) [980-8666-005](#) [1200690078](#) [1-201144-1](#) [R107003010W](#) [R110A172100](#) [R112186000](#) [R113053000W](#) [R113081000](#)