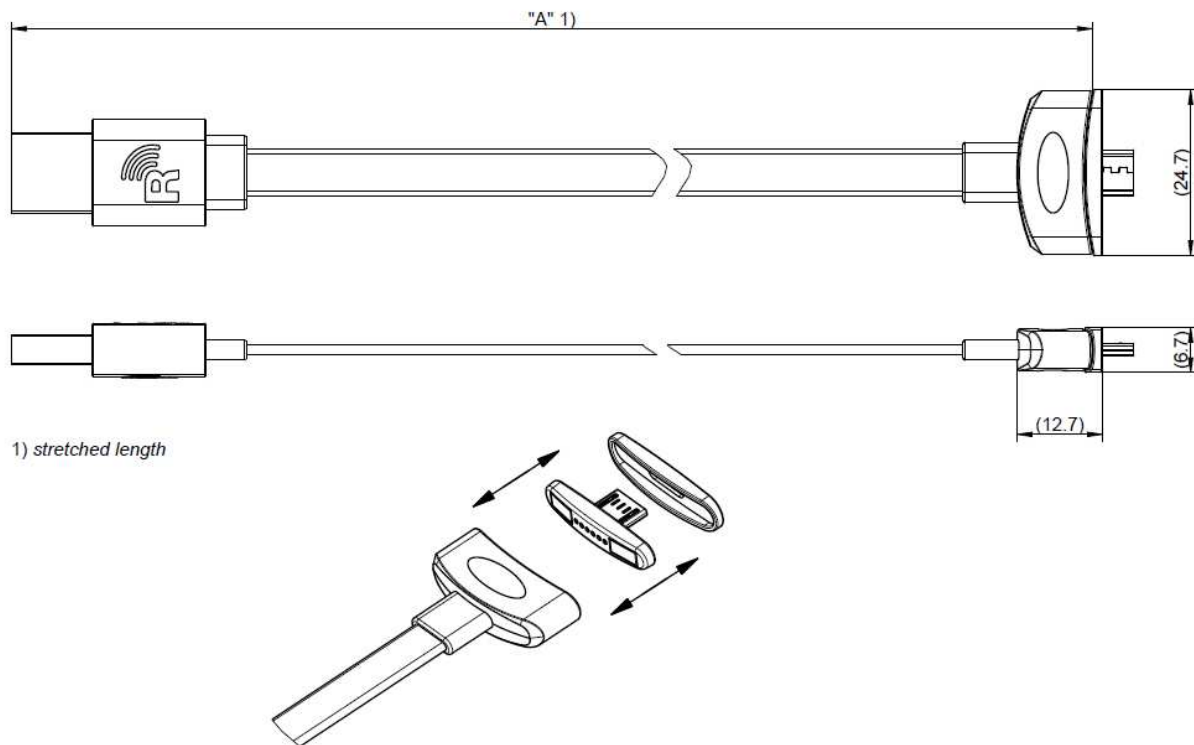


L99 USB 2.0 A MALE TO USB 2.0 MICRO-B ADAPTER

**L99-M0014-XXX-Y**



All dimensions are in mm; tolerances according to ISO 2768 c

**Interface**

According to MU1S199-K01L-Y

**Available length**

Description	Length "A" in [mm] <sup>1</sup>
L99-M0014-XXX-Y	XXX ± 1%

<sup>1</sup>length < 300 ± 3 mm

**Available colour**

Description	Colour "Y" in
L99-M0014-XXX-Y	A- white
	B- black

**Technical data cable interfaces**

USB 2.0 480Mbit/s  
 gold contacts  
 1.0 meter length  
 USB 2.0 A-plug male version  
 Magnetic interface for magnetic adapter

L99 USB 2.0 A MALE TO USB  
2.0 MICRO-B ADAPTER

**L99-M0014-XXX-Y**

**Technical data magnetic adapter**

USB 2.0 480Mbit/s  
gold contacts  
Magnetic interface for cable interface  
USB Micro B 2.0 Plug

**Electrical data**

USB Standard 2.0

**Mechanical data**

Mating cycles USB	acc. to USB 2.0 specification
Mating cycles Adapter	min. 10000
Disengagement force (USB interface)	min. 11 N max. 16 N
Disengagement force (magnetic interface)	min. 6 N max. 11 N

**Environmental data**

Temperature range	-25°C to +50°C
RoHS	compliant

**Packing**

Standard	plastic bag
Weight	25.1g/piece

**Safety instruction**

**Caution**

Magnets can impact the function of pace makers and implantable cardioverter-defibrillators (e.g. actuation of reed switch). Keep a minimum distance of 0.5 m (50 cm) from magnetic components in order to prevent malfunction and danger to health.

While the information has been carefully compiled to the best of our knowledge, nothing is intended as representation or warranty on our part and no statement herein shall be construed as recommendation to infringe existing patents. In the effort to improve our products, we reserve the right to make changes judged to be necessary.

Draft	Date	Approved	Date	Rev.	Engineering change number	Name	Date
M. Portenkirchner	23/03/16	C. Kainzmaier	21.08.18	a00	18-s302	M. Schönsmaul	21.08.18
Rosenberger Hochfrequenztechnik GmbH & Co. KG P.O.Box 1260 D-84526 Tittmoning Germany <a href="http://www.rosenberger.de">www.rosenberger.de</a>				Tel.: +49 8684 18-0 Fax: +49 8684 18-499 email: <a href="mailto:info@rosenberger.de">info@rosenberger.de</a>			Page 2 / 2

## X-ON Electronics

Largest Supplier of Electrical and Electronic Components

*Click to view similar products for [USB Cables / IEEE 1394 Cables](#) category:*

*Click to view products by [Rosenberger](#) manufacturer:*

Other Similar products are found below :

[68768-0173](#) [FNY-W6003-01](#) [88764-0800](#) [148700-1](#) [17-200621](#) [17-250051P](#) [954](#) [17-200261](#) [AC102012-1](#) [AC102012-2](#) [FTP-629Y601](#) [45-1345-15](#) [45-1358-15](#) [45-1363-15](#) [IP-USB1\(C10\)S-RW](#) [CABLE/RTP/USB/DT](#) [45-1351-15](#) [45-1357-15](#) [45-1433-1](#) [687680278](#)  
[USBFTVX2SA2N03A](#) [USBFTV2SA2N03A](#) [USBFTV2SA2N05A](#) [MDM9PH004B](#) [MDM9PH004P](#) [FTP-629Y401](#) [FTP-628Y302](#) [FTP-628Y402](#) [CSMNB9MF-5](#) [FNY-W6022](#) [UA-30AMF-SD7B03](#) [UA-30AMFM-SL7B03](#) [USBAPSCC7202A](#) [17-200641](#) [UES-1001A160](#) [UES-1003A160](#) [USBFTVX7SA2N20A](#) [FTP-629Y602](#) [USBCAMCM100](#) [USB A/F\\*2 to 2.54 2\\*5P-SH L=400mm](#) [68784-0075](#) [MINI-SCREW-USB-DATACABLE](#) [19800-010500-200-RS](#) [103-1092-BL-F0050](#) [103-1020-BL-00100](#) [103-1092-BL-F0200](#) [103-1092-BL-F0100](#) [105-1092-BL-00300](#) [105-1092-BL-00200](#) [105-1031-BL-00200](#)