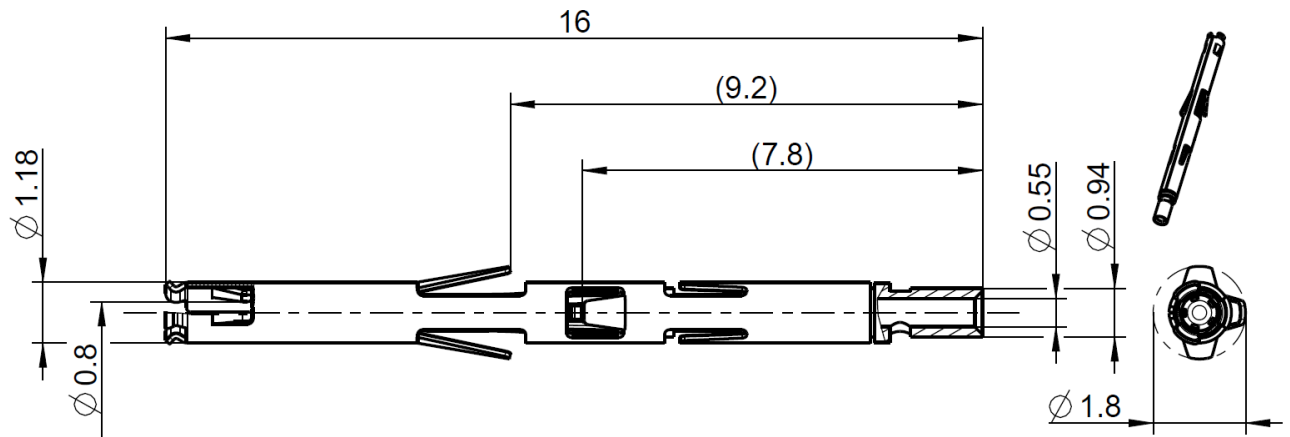


MF

straight jack

**MF1K109-199L-NM**



All dimensions are in mm; tolerances according to ISO 2768 m-H

**Interface**

According to N/A

**Documents**

Assembly instruction MA\_MF-A9  
 Panel piercing MB\_394  
 Instructions for Removal MF\_MV-A002

**Material and plating**

**Connector parts**

|         |                                  |   |
|---------|----------------------------------|---|
| Contact | <b>Material</b><br>Spring bronze | <b>Plating</b><br>AuroDur®, gold plated |
| Body    | Spring bronze                    |   |

**Electrical data**

Contact resistance initial  $\leq 70 \text{ m}\Omega$   
 Current typ. 2 A DC max.

**Mechanical data**

Mating cycles up to 100.000  
 Engagement force 0.3 N  
 Disengagement force 0.3 N

**Environmental data**

Temperature range -25°C .. +85°C  
 RoHS compliant

**Tooling**

Crimping tool (optional) 11W150-000  
 Crimp insert (optional) 11W150-401

**Suitable cables**

AWG26

Dieses Dokument ist urheberrechtlich geschützt • This document is protected by copyright • Rosenberger Hochfrequenztechnik GmbH & Co. KG

RF\_35/05.10/6.0

**Technical Data Sheet****Rosenberger**

MF

straight jack

**MF1K109-199L-NM****Packing**Standard  
Weight25 pcs in bag  
xx.x g/pce (TBD)

Dieses Dokument ist urheberrechtlich geschützt • This document is protected by copyright • Rosenberger Hochfrequenztechnik GmbH &amp; Co. KG

RF\_35/05.10/6.0

While the information has been carefully compiled to the best of our knowledge, nothing is intended as representation or warranty on our part and no statement herein shall be construed as recommendation to infringe existing patents. In the effort to improve our products, we reserve the right to make changes judged to be necessary.

| Draft  | Date     | Approved      | Date     | Rev. | Engineering change number   | Name     | Date          |
|--|----------|---------------|----------|------|---|----------|---------------|
| G.Lapper   | 27/04/11 | C. Kainzmaier | 16.12.15 | a00  | 15-s454   | S. Doerr | 16.12.15      |
| Rosenberger Hochfrequenztechnik GmbH & Co. KG<br>P.O.Box 1260 D-84526 Tittmoning Germany<br><a href="http://www.rosenberger.de">www.rosenberger.de</a> |          |               |          |      | Tel. : +49 8684 18-0<br>Fax : +49 8684 18-499<br>Email : <a href="mailto:info@rosenberger.de">info@rosenberger.de</a> |          | Page<br>2 / 2 |

## X-ON Electronics

Largest Supplier of Electrical and Electronic Components

*Click to view similar products for [RF Connectors / Coaxial Connectors](#) category:*

*Click to view products by [Rosenberger](#) manufacturer:*

Other Similar products are found below :

[8915-1511-000](#) [89674-0827](#) [6001-7071-019](#) [6002-7051-003](#) [6002-7551-202](#) [6059674-1](#) [619550-1](#) [630059-000](#) [M39030/3-01N](#) [6500-7071-046](#) [6769](#) [CX050L2AQ](#) [7002-1541-010](#) [7002-1542-011](#) [7004-1512-000](#) [7009-1511-004](#) [7010-1511-000](#) [7029-1511-060](#) [7101-1541-010](#) [7101-1571-002](#) [7145-1521-002](#) [7203-1571-003](#) [7209-1511-011](#) [7210-1511-015](#) [7210-1511-019](#) [73137-5015](#) [73216-2241](#) [73404-2300](#) [7405-1521-005](#) [7405-1521-802](#) [8527](#) [8547](#) [FS11V](#) [877931](#) [8808-1511-001](#) [9049-9513-000](#) [9074-9513-000](#) [9101-9573-002](#) [910A205F](#) [9130-9573-002](#) [PL11SC-026](#) [PL375-33](#) [PL40-5](#) [PL74C-221](#) [PL75MC-217](#) [PL803-7](#) [1200690078](#) [1-201144-1](#) [R107003010W](#) [R110A172100](#)