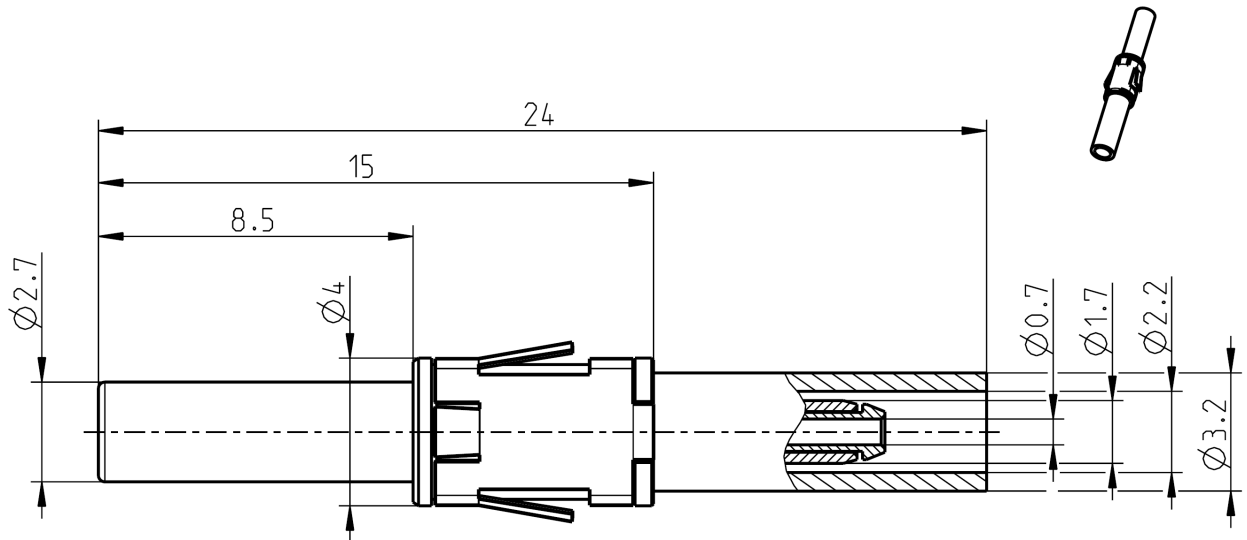


MF

straight plug

**MF1S111-1H8L5-NM**



All dimensions are in mm; tolerances according to ISO 2768 m-H

**Interface**

According to N/A

**Documents**

Assembly instruction MF-A7  
 Panel piercing MB\_385

**Material and plating**

**Connector parts**

Center contact	Spring bronze
Outer contact	Spring bronze
Body	Spring bronze
Dielectric	PTFE
Crimping ferrule	Brass

**Plating**

AuroDur®, gold plated  
 AuroDur®, gold plated

Dieses Dokument ist urheberrechtlich geschützt • This document is protected by copyright • Rosenberger Hochfrequenztechnik GmbH & Co. KG

RF\_35/05:10/6.0

MF

straight plug

**MF1S111-1H8L5-NM**

**Electrical data**

Impedance	50 Ω
Frequency	DC to 2 GHz
Return loss	≥ TBM dB, DC to 2 GHz
Insertion loss	TBM
Insulation resistance	≥ 5 x10 <sup>3</sup> MΩ
Center contact resistance	initial ≤ 30 mΩ
Outer contact resistance	initial ≤ 30 mΩ
Test voltage (at sea level)	TBM
Working voltage (at sea level)	TBM

**Mechanical data**

Mating cycles	min. 50.000
Engagement force	3 N
Disengagement force	3 N

**Environmental data**

Temperature range	-25°C .. +85°C
Thermal shock(optional)	MIL-STD-202, Meth. 107, Cond. B <b>TBM</b>
Corrosion(optional)	MIL-STD-202, Meth. 101, Cond. B <b>TBM</b>
Vibration(optional)	MIL-STD-202, Meth. 204, Cond. D <b>TBM</b>
Shock(optional)	MIL-STD-202, Meth. 213, Cond. I <b>TBM</b>
Moisture resistance(optional) (RoHS)	MIL-STD-202, Meth. 106 <b>TBM</b> compliant

**Tooling**

Crimping tool (optional)	11W150-000
Crimp insert (optional)	11W150-401

**Suitable cables**

6YC6Y 0.2/0.6 - 50

**Packing**

Standard	50 pcs in bag
Weight	1.12 g/pce

While the information has been carefully compiled to the best of our knowledge, nothing is intended as representation or warranty on our part and no statement herein shall be construed as recommendation to infringe existing patents. In the effort to improve our products, we reserve the right to make changes judged to be necessary.

Draft	Date	Approved	Date	Rev.	Engineering change number	Name	Date
G.Lapper	27/04/11	C. Kainzmaier	06.07.15	a00	15-s276	M. Schönsmaul	06.07.15

Rosenberger Hochfrequenztechnik GmbH & Co. KG P.O.Box 1260 D-84526 Tittmoning Germany <a href="http://www.rosenberger.de">www.rosenberger.de</a>				Tel. : +49 8684 18-0 Fax : +49 8684 18-499 Email : <a href="mailto:info@rosenberger.de">info@rosenberger.de</a>		Page 2 / 2	
--	--	--	--	---	--	---------------	--

## X-ON Electronics

Largest Supplier of Electrical and Electronic Components

*Click to view similar products for [RF Connectors / Coaxial Connectors](#) category:*

*Click to view products by [Rosenberger](#) manufacturer:*

Other Similar products are found below :

[8915-1511-000](#) [89674-0827](#) [6001-7071-019](#) [6002-7051-003](#) [6002-7551-202](#) [6059674-1](#) [619550-1](#) [630059-000](#) [M39030/3-01N](#) [6500-7071-046](#) [6769](#) [CX050L2AQ](#) [7002-1541-010](#) [7002-1542-011](#) [7004-1512-000](#) [7009-1511-004](#) [7010-1511-000](#) [7029-1511-060](#) [7101-1541-010](#) [7101-1571-002](#) [7145-1521-002](#) [7203-1571-003](#) [7209-1511-011](#) [7210-1511-015](#) [7210-1511-019](#) [73137-5015](#) [73216-2241](#) [73404-2300](#) [7405-1521-005](#) [7405-1521-802](#) [8527](#) [8547](#) [FS11V](#) [877931](#) [9049-9513-000](#) [9074-9513-000](#) [9101-9573-002](#) [910A205F](#) [9130-9573-002](#) [PL11SC-026](#) [PL375-33](#) [PL40-5](#) [PL74C-221](#) [PL75MC-217](#) [PL803-7](#) [980-8666-005](#) [1200690078](#) [1-201144-1](#) [R107003010W](#) [R110A172100](#)