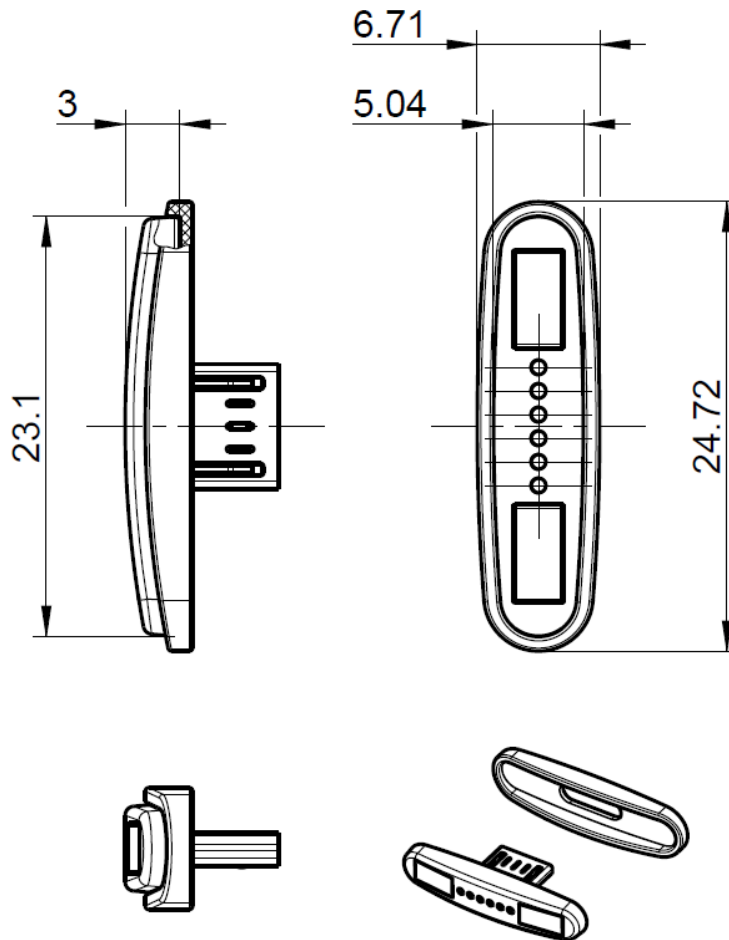


MU

Magnetic Micro B Adapter

MU1S199-K01L-Y



All dimensions are in mm; tolerances according to ISO 2768 m-H

General Information

Magnetic Micro B Adapter with magnetic interface for Magnetic Micro B cable assembly

Available Colour

Description	Colour "Y" in
MU1S199-K01L-Y	A- white, similar RAL 9010
	B- black, similar RAL 9005

Dieses Dokument ist urheberrechtlich geschützt • This document is protected by copyright • Rosenberger Hochfrequenztechnik GmbH & Co. KG

RF_35/09.14/6.2

MU

Magnetic Micro B Adapter

MU1S199-K01L-Y

Material and Plating

Micro B Adapter

Housing
Magnets
Gold contacts
PCB
Silicone cover

Material

PC+ABS
NdFeB
Brass
FR4
Silicone

Plating/ Colour

see colour table
Nickel plated
Gold plated
--
see colour table

Connectors

Micro B Plug

USB Micro B acc. to USB 2.0 On-The-Go Specification

Electrical Data

Designed for USB 2.0 Specification

5 V DC, 0.5 A, 480 Mbit/s

Test voltage

500 V DC

Insulation resistance @500V

≥ 100 MΩ

Contact resistance

typically ≤ 50 mΩ

Mechanical Data

Disengagement force magnetic interface

6- 11 N

Disengagement force Micro B plug

11- 16 N

Mating cycles magnetic interface with load acc. to USB 2.0

min. 10.000

Environmental Data

Temperature range

-20 °C to +50 °C

Magnets start losing their magnetic properties above 65 °C

Dieses Dokument ist urheberrechtlich geschützt • This document is protected by copyright • Rosenberger Hochfrequenztechnik GmbH & Co. KG

RF_35/09:14/6.2

MU

Magnetic Micro
B Adapter

MU1S199-K01L-Y

Compliance

RoHS compliant

Packing

Standard 200 pcs per blister
Weight Depending on 0,9g

Caution!

Magnets can impact the function of pace makers and implantable cardioverter-defibrillators (e.g. actuation of reed switch). Keep a minimum distance of 0.2 m (20 cm) between the magnetic connector and the implanted devices to prevent malfunction and danger to health.

While the information has been carefully compiled to the best of our knowledge, nothing is intended as representation or warranty on our part and no statement herein shall be construed as recommendation to infringe existing patents. In the effort to improve our products, we reserve the right to make changes judged to be necessary.

Draft	Date	Approved	Date	Rev.	Engineering change number	Name	Date
M. Portenkirchner	23.03.16	C. Kainzmaier	21.08.18	a00	18-s302	M. Schönsmaul	21.08.18

Rosenberger Hochfrequenztechnik GmbH & Co. KG P.O.Box 1260 D-84526 Tittmoning Germany www.rosenberger.de	Tel. : +49 8684 18-0 Email : info@rosenberger.de	Page 3 / 3
--	--	---------------

X-ON Electronics

Largest Supplier of Electrical and Electronic Components

Click to view similar products for [USB Connectors](#) category:

Click to view products by [Rosenberger](#) manufacturer:

Other Similar products are found below :

[65-647-8-BK-BU](#) [950](#) [952](#) [E8144-B01021-L](#) [A-USB B-TOP-C](#) [MUSBA511N5](#) [MUSBD11135](#) [217450-1](#) [KMBVX-TH-5S-B30](#) [896-30-004-00-000000](#) [KUSBVX-BS1N-W30](#) [KUSBX-AP-KIT-SCBLK](#) [KUSBX-AS2N-W](#) [KUSBX-SMT2AP1S-W](#) [KUSBX-SMT2AP1S-W30](#) [935](#) [957](#) [30-498-6](#) [SK-60A-2](#) [17-210051](#) [1734082-1](#) [30-1574](#) [30-470](#) [30-489](#) [30-541](#) [30-572-3](#) [A-USB A-2P-C](#) [MIKROE-1451](#) [USBFTV2PEM2G](#) [USBFTVC6ZN](#) [KUSBX-AS2N-W30](#) [KUSBX-SLAS1N-W](#) [KUSBX-SMT-AS1N-W30](#) [4689-1](#) [1-1734084-2](#) [E8110-001-01](#) [33UBARS1-04SW11](#) [33UBAR-04SW11](#) [USBF21ZNSCC](#) [USBBFTV6ZC](#) [10135326-001LF](#) [M9177/3-1](#) [USB-A-S-F-B-VT](#) [925](#) [4198](#) [690-024-633-031](#) [KUSBEX-BSFS1N-W](#) [USBFTVC6MRG](#) [UA-20BMFA-SL8001](#) [17-250101](#)