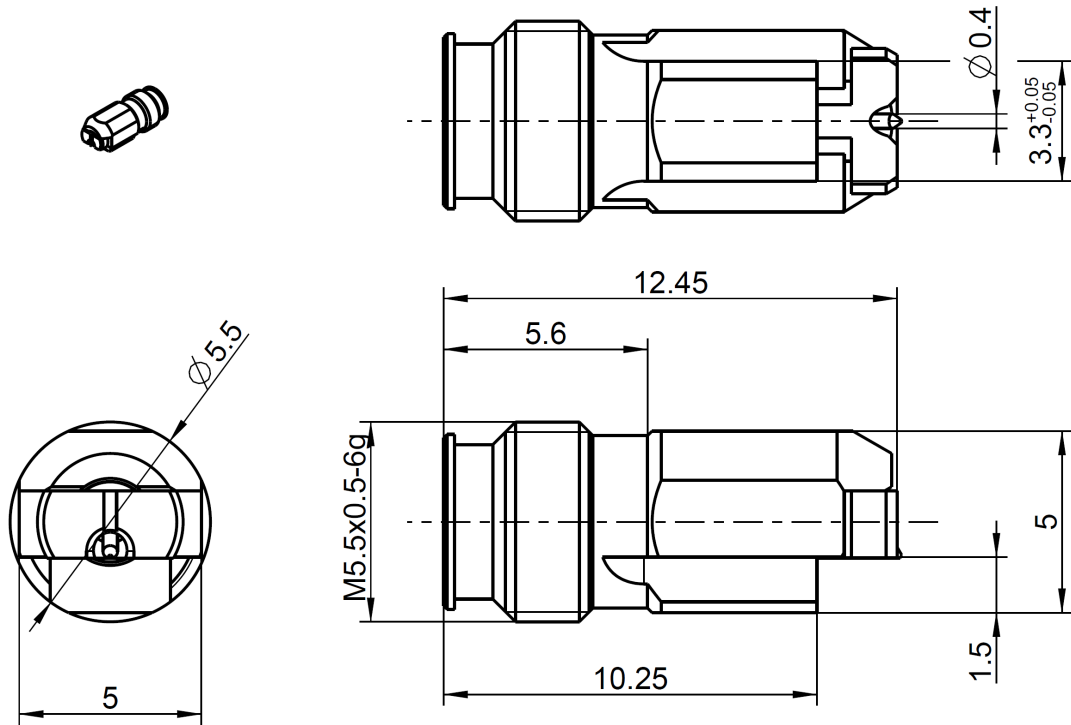


RPC-1.35

Right Angle Jack  
PCB

**P9K241-40ML5**



All dimensions are in mm; tolerances according to ISO 2768 m-H

**Interface**

According to IEC 61169-65

**Documents**

PCB layout B 781

**Material and plating**

**Connector parts**

Center contact  
Outer contact  
Dielectric

**Material**

CuBe  
CuBe or equiv.  
PEEK

**Plating**

AuroDur®, gold plated  
AuroDur®, gold plated

RPC-1.35

Right Angle Jack  
PCB

**P9K241-40ML5**

**Electrical data**

Impedance	50 Ω
Frequency	DC to 90 GHz
Return loss	≥ 19 dB, DC to 26,5 GHz ≥ 17 dB, 26,5 to 40 GHz ≥ 14 dB, 40 to 70 GHz ≥ 12 dB, 70 to 90 GHz
Insertion loss	≤ 0.05 x √f(GHz) dB
Insulation resistance	≥ 5 GΩ
Test voltage (at sea level)	500 V rms
Working voltage (at sea level)	150 V rms
RF-leakage	≥ 90 dB up to 1 GHz

*Return loss in application depends decisive on PCB layout*

**Mechanical data**

Mating cycles	≥ 3000
Center contact captivation	≥ 10 N
Coupling test torque	1.65 Nm
Coupling torque recommended	0.80 Nm to 1.00 Nm

**Environmental data**

Temperature range	-55°C to +125°C
Corrosion	IEC 61169-1, Subclause 9.4.10
Vibration	IEC 61169-1, Subclause 9.3.3
Shock	IEC 61169-1, Subclause 9.3.14
Moisture resistance	IEC 61169-1, Subclause 9.4.3
Max. soldering temperature	IEC 61760-1, +260°C for 10 sec.
RoHS	compliant

**Tooling**

N/A

**Weight**

1.6 g/pce

While the information has been carefully compiled to the best of our knowledge, nothing is intended as representation or warranty on our part and no statement herein shall be construed as recommendation to infringe existing patents. In the effort to improve our products, we reserve the right to make changes judged to be necessary.

For the installation of the electrotechnical equipment, particular electrotechnical expertise is required.



Draft	Date	Approved	Date	Rev.	Engineering change number	Name	Date
Herbert Babinger	30.10.18	Martin Moder	29.06.21	a00	21-s127	M.Ruf	29.06.21

Rosenberger Hochfrequenztechnik GmbH & Co. KG  
P.O.Box 1260 D-84526 Tittmoning Germany  
[www.rosenberger.com](http://www.rosenberger.com)

Tel. : +49 8684 18-0  
Email : [info@rosenberger.com](mailto:info@rosenberger.com)

Page  
2 / 2

## X-ON Electronics

Largest Supplier of Electrical and Electronic Components

*Click to view similar products for [RF Connectors / Coaxial Connectors](#) category:*

*Click to view products by [Rosenberger](#) manufacturer:*

Other Similar products are found below :

[8915-1511-000](#) [89674-0827](#) [6001-7071-019](#) [6002-7051-003](#) [6002-7551-202](#) [6059674-1](#) [619550-1](#) [630059-000](#) [M39030/3-01N](#) [6500-7071-046](#) [6769](#) [CX050L2AQ](#) [7002-1541-010](#) [7002-1542-011](#) [7004-1512-000](#) [7009-1511-004](#) [7010-1511-000](#) [7029-1511-060](#) [7101-1541-010](#) [7101-1571-002](#) [7145-1521-002](#) [7203-1571-003](#) [7209-1511-011](#) [7210-1511-015](#) [7210-1511-019](#) [73137-5015](#) [73216-2241](#) [73404-2300](#) [7405-1521-005](#) [7405-1521-802](#) [8527](#) [8547](#) [FS11V](#) [877931](#) [9049-9513-000](#) [9074-9513-000](#) [9101-9573-002](#) [910A205F](#) [9130-9573-002](#) [PL11SC-026](#) [PL375-33](#) [PL40-5](#) [PL74C-221](#) [PL75MC-217](#) [PL803-7](#) [980-8666-005](#) [1200690078](#) [1-201144-1](#) [R107003010W](#) [R110A172100](#)