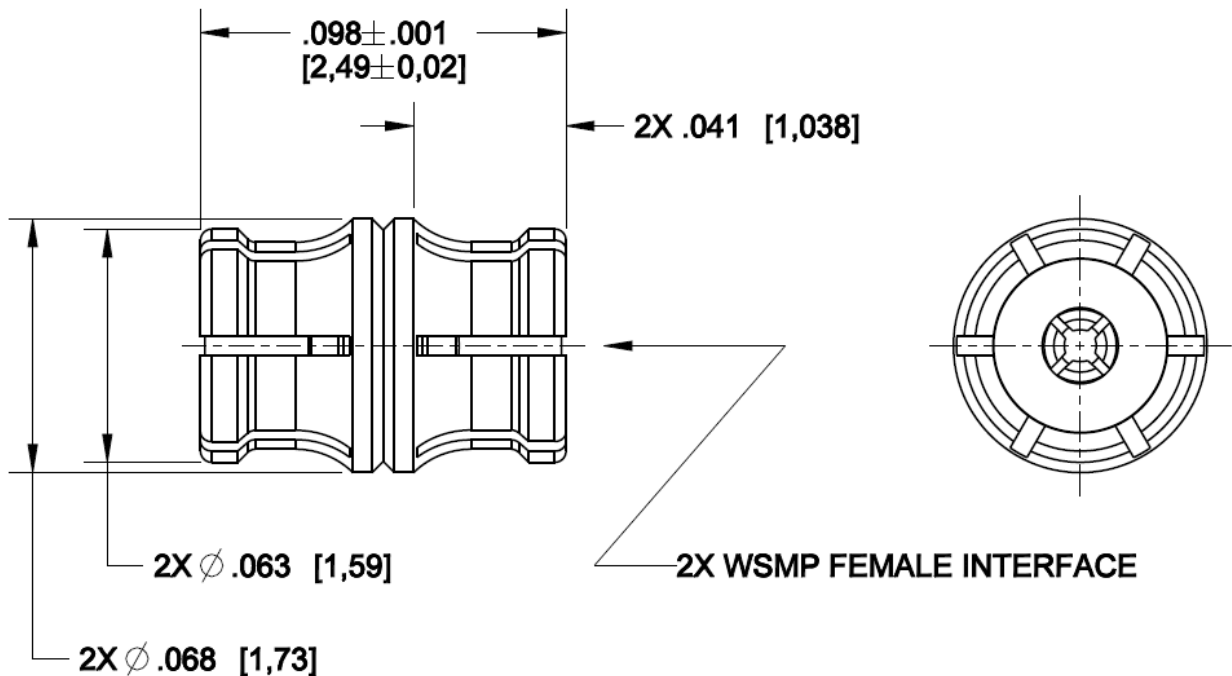
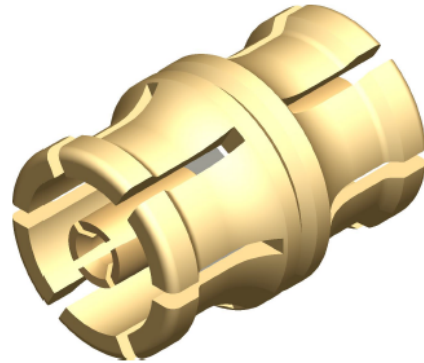


WSMP

Adaptor (Bullet)
Female to Female

W1K10A-K00D3



All dimensions are in inches [mm]
Unless otherwise specified, tolerances are as follows: .XXX ± .002 [0,05]

Interface

According to Rosenberger WSMP™ Interface standards

Material and plating

Connector parts
Body and contact

Material
CuBe per ASTM B196

Plating
Hard gold, 50µIN [1,27µm] min, over
nickel, 50µIN [1,27µm] min

Dielectric

PTFE per ASTM D1710

Dieses Dokument ist urheberrechtlich geschützt • This document is protected by copyright • Rosenberger Hochfrequenztechnik GmbH & Co. KG

Technical Data Sheet

Rosenberger

WSMP

Adaptor (Bullet)
Female to Female

W1K10A-K00D3

Electrical data

Impedance	50 Ω
Frequency	DC to 100 GHz
Return loss (typical)	≥ 26 dB, DC to 26.5 GHz ≥ 19 dB, 26.5 to 65 GHz
Insertion loss	$\leq 0.12 \times \sqrt{f(\text{GHz})}$ dB
Insulation resistance	$\geq 3,500$ M Ω
Center contact resistance	≤ 6.0 m Ω
Outer contact resistance	≤ 2.0 m Ω
Test voltage (at sea level)	250 V rms
RF High Potential (at sea level)	150 V rms @ 5 MHz
RF leakage	≥ -80 dB (typical mated pair)

Mechanical data

Mating cycles	
- Full Detent	≥ 100
- Smooth Bore	≥ 500
Engagement force (typical)	
- Full Detent	2.5 lb _f [11 N]
- Smooth Bore	1.2 lb _f [5.3 N]
Disengagement force (typical)	
- Full Detent	4.5 lb _f [20 N]
- Smooth Bore	1.0 lb _f [4.5 N]

Environmental data

Temperature range	-55°C to +165°C
Thermal shock	MIL-STD-202-107, Condition B
Corrosion	MIL-STD-202-101
Vibration	MIL-STD-202-204, Condition D
Shock	MIL-STD-202-213, Condition I
Moisture resistance 2002/95/EC (RoHS)	MIL-STD-202-106, except Step 7B compliant

Tooling

Installation/Extraction tool	W1W002-000
------------------------------	------------

Packing

Standard

Dieses Dokument ist urheberrechtlich geschützt • This document is protected by copyright • Rosenberger Hochfrequenztechnik GmbH & Co. KG

RF_35/05_10/6.0

Draft	Date	Approved	Date	Rev.	Engineering change number	Name	Date
R. Hosler	10/12/15	M. Peeran	10/12/15	a01	Revised per 19-0674	P. Sill	5/16/19

Rosenberger of North America, LLC P.O. Box 309 Akron, PA USA 17501 www.rosenbergerna.com	Tel. : +1.717.859.8900 Fax : +1.717.859.7044 Email : info@rosenbergerna.com	Page 2 / 2
---	---	---------------

X-ON Electronics

Largest Supplier of Electrical and Electronic Components

Click to view similar products for [RF Adapters - In Series](#) category:

Click to view products by [Rosenberger](#) manufacturer:

Other Similar products are found below :

[5916-1103-603](#) [5919-1503-000](#) [651A505](#) [82-5552](#) [9030-9523-502](#) [PN2C](#) [A0407000](#) [R114703000W](#) [R125771001](#) [R141710000W](#)
[R141723161](#) [R141730000](#) [R143730700](#) [R143770000](#) [R161703000W](#) [R161753000W](#) [R161791530W](#) [R201705000](#) [R222705200](#)
[R222M40010W](#) [R223703180](#) [R316754000](#) [R405006000](#) [R443162000](#) [AD78TL](#) [HRM-513S](#) [1996352-2](#) [2157155-1](#) [252169-75](#) [AD158](#)
[2101130-1](#) [252186](#) [R114704000W](#) [R114720000W](#) [R125705001](#) [R125705701](#) [R125771000](#) [R125771001W](#) [R127704001](#) [R127.870.001](#)
[R127872001](#) [R141717000](#) [R142710000](#) [R142723000](#) [R143703000](#) [R143704000](#) [R143705700](#) [R161715000W](#) [R161771000W](#) [R176754000](#)