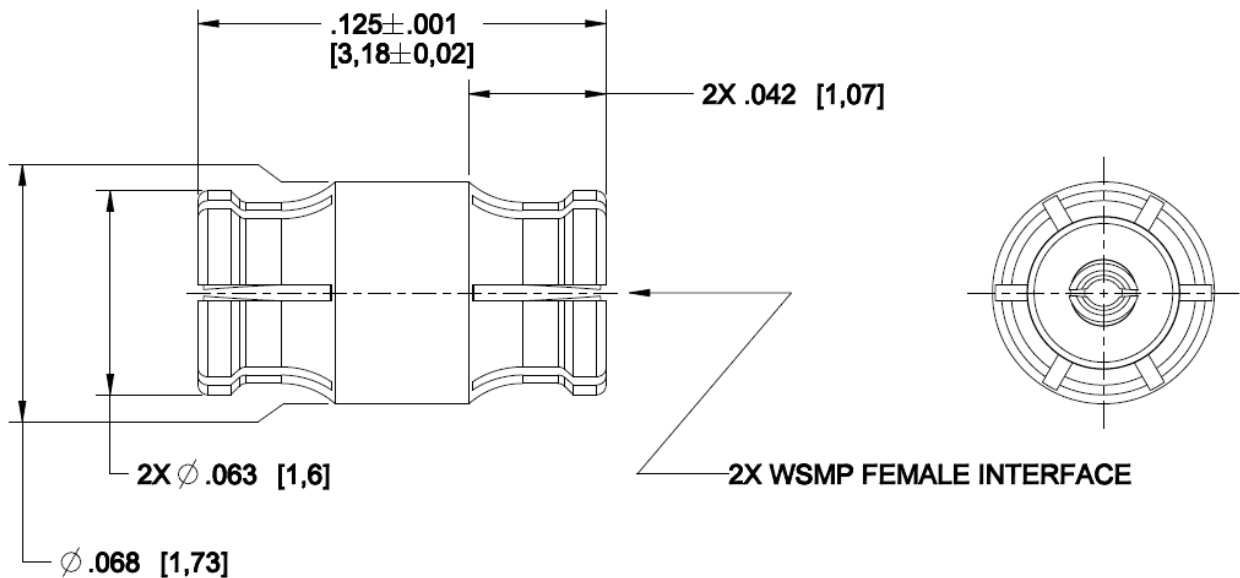
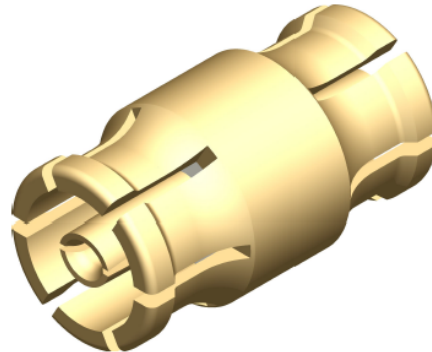


WSMP

Adaptor (Bullet)
Female to Female

W1K10C-K00D3



All dimensions are in inches [mm]
Unless otherwise specified, tolerances are as follows: .XXX ± .002 [0,05]

Interface

According to Rosenberger WSMP™ Interface standards

Material and plating

Connector parts

Body and contact

Material

CuBe per ASTM B196

Plating

Hard gold, 50µIN [1,27µm] min, over nickel, 50µIN [1,27µm] min

Dielectric

PTFE per ASTM D1710

Dieses Dokument ist urheberrechtlich geschützt • This document is protected by copyright • Rosenberger Hochfrequenztechnik GmbH & Co. KG

WSMP

Adaptor (Bullet)
Female to Female

W1K10C-K00D3

Electrical data

Impedance 50 Ω
 Frequency DC to 100 GHz
 Return loss (typical) ≥ 26 dB, DC to 26.5 GHz
 ≥ 19 dB, 26.5 to 65 GHz
 Insertion loss ≤ 0.12 x √f(GHz) dB
 Insulation resistance ≥ 3.5 x10³ MΩ
 Center contact resistance ≤ 6.0 mΩ
 Outer contact resistance ≤ 2.0 mΩ
 Test voltage (at sea level) 250 V rms
 RF High Potential (at sea level) 150 V rms @ 5 MHz
 RF-leakage ≥ -80 dB (typical mated pair)

Mechanical data

Mating cycles
 - Full Detent ≥ 100
 - Smooth Bore ≥ 500
 Engagement force (typical)
 - Full Detent 2.5 lb_f [11 N]
 - Smooth Bore 1.2 lb_f [5.3 N]
 Disengagement force (typical)
 - Full Detent 4.5 lb_f [20 N]
 - Smooth Bore 1.0 lb_f [4.5 N]

Environmental data

Temperature range -55°C to +165°C
 Thermal shock MIL-STD-202-107, Condition B
 Corrosion MIL-STD-202-101
 Vibration MIL-STD-202-204, Condition D
 Shock MIL-STD-202-213, Condition I
 Moisture resistance MIL-STD-202-106, except Step 7B
 2002/95/EC (RoHS) compliant

Tooling

Installation/Extraction tool W1W002-000

Packing

Standard

Dieses Dokument ist urheberrechtlich geschützt • This document is protected by copyright • Rosenberger Hochfrequenztechnik GmbH & Co. KG

RF_35/05.10/6.0

Draft	Date	Approved	Date	Rev.	Engineering change number	Name	Date
R. Hosler	7/22/2013	J. Mohammed	7/22/2013	a01	Revised per ECN 19-0674	M. Peeran	5/16/2019
Rosenberger of North America, LLC P.O. Box 309 Akron, PA USA 17501 www.rosenbergerna.com					Tel. : +1.717.859.8900 Fax : +1.717.859.7044 Email : info@rosenbergerna.com		Page 2 / 2

X-ON Electronics

Largest Supplier of Electrical and Electronic Components

Click to view similar products for [RF Adapters - In Series](#) category:

Click to view products by [Rosenberger](#) manufacturer:

Other Similar products are found below :

[5916-1103-603](#) [5919-1503-000](#) [651A505](#) [82-5552](#) [9030-9523-502](#) [PN2C](#) [A0407000](#) [R114703000W](#) [R125771001](#) [R141710000W](#)
[R141723161](#) [R141730000](#) [R143730700](#) [R143770000](#) [R161703000W](#) [R161753000W](#) [R161791530W](#) [R201705000](#) [R222705200](#)
[R222M40010W](#) [R223703180](#) [R316754000](#) [R405006000](#) [R443162000](#) [AD78TL](#) [HRM-513S](#) [1996352-2](#) [2157155-1](#) [252169-75](#) [AD158](#)
[2101130-1](#) [252186](#) [R114704000W](#) [R114720000W](#) [R125705001](#) [R125705701](#) [R125771000](#) [R125771001W](#) [R127704001](#) [R127.870.001](#)
[R127872001](#) [R141717000](#) [R142710000](#) [R142723000](#) [R143703000](#) [R143704000](#) [R143705700](#) [R161715000W](#) [R161771000W](#) [R176754000](#)