

Kit Resistors



Chip Type Kit Resistors



Coated Type Kit Resistors

Ordering Procedure: Ex: 0603, 1/16W, +/-1%, E6 series, Chip Kit Resistors

0 6 0 3 W G F E 0 0 6 K I T

Resistor Size:

- Chip type:
0402, 0603, 0805, 1206, 2512
- Coated type:
Carbon Film Fixed Resistors
(see page 23 for boxes no.1st - 7th)
Metal Film Fixed Resistors
(see page 26 for boxes no.1st - 7th)

Wattage:

- Normal:
WG = 1/16W
WA = 1/10W
W8 = 1/8W
W4 = 1/4W
W2 = 1/2W
1W = 1W
- Small size:
SA = 1/10WS
S8 = 1/8WS
S4 = 1/4WS
S2 = 1/2WS

Resistance value:

- For Kit Resistors
E006 = E6 Series
E012 = E12 Series
E024 = E24 series

Special Feature:

- KIT = Kit resistors (with resistors)
- KON = Album only (no resistors)
- KIL = Index only
- KIN = Insert only
- KIC = Insert and Album, Cover lid, (No resistors)

Tolerance:

- F = ±1%
J = ±5%

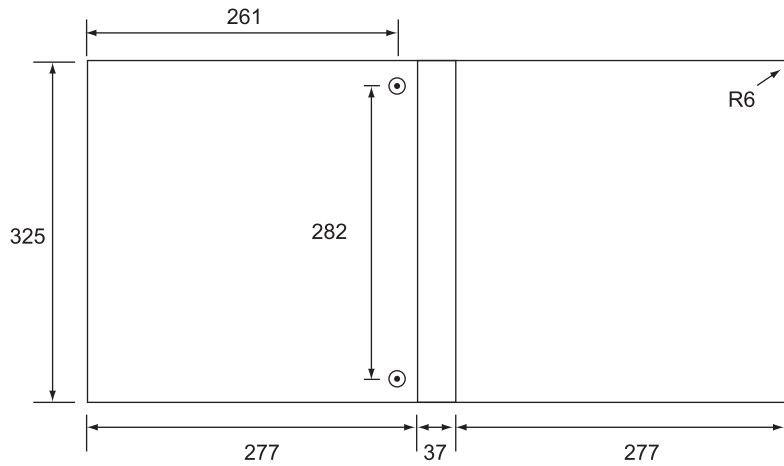
Sample:

- 1.) SMD Kit 1/16W (0603) 1% E6 Series - 0603WGFE006KIT
- 2.) Album only Kit 1/16W (0603) 1% E6 Series - 0603WGFE006KON (no chip resistors)

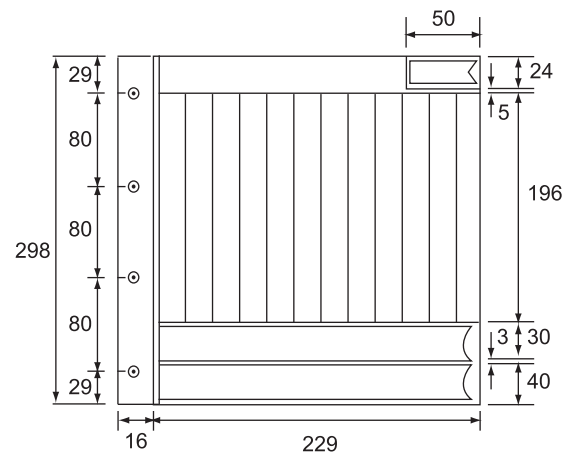
Kit Resistors

Chip Type

Album Kit Dimension

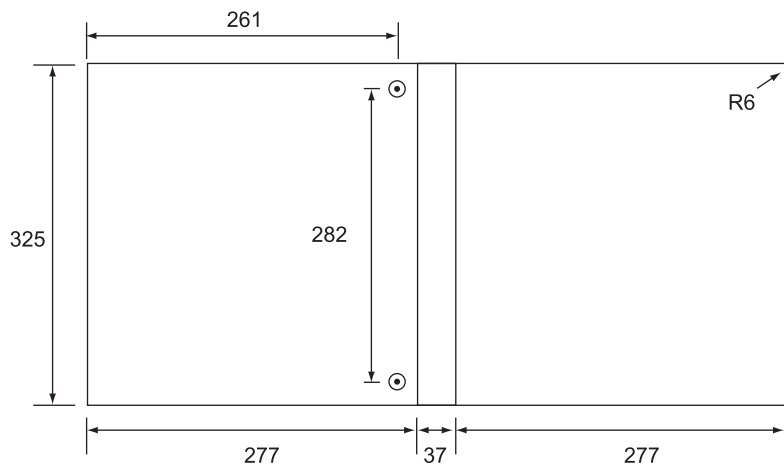


Inserts for Chip Kit

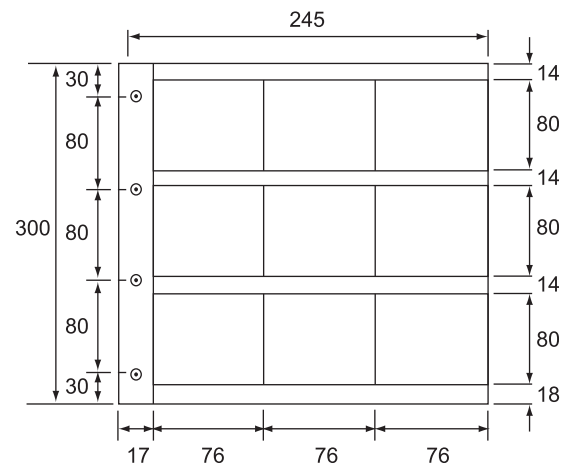


Coated Type

Album Kit Dimension



Inserts for Coated Kit



X-ON Electronics

Largest Supplier of Electrical and Electronic Components

Click to view similar products for [Thick Film Resistors - SMD category](#):

Click to view products by [Royal Ohm manufacturer](#):

Other Similar products are found below :

[CRG1206F1K58](#) [CRL0603-FW-R700ELF](#) [M55342K06B6E19RWL](#) [RC1005F1072CS](#) [RC1005F471CS](#) [RC1005F4751CS](#)
[RCP0603W100RGED](#) [RCWP72251K47FKWB](#) [RLR05C7501GPB14](#) [RLR07C5111FSBSL](#) [ERJ-1GMF1R00C](#) [ERJ-1GMF1R20C](#) [ERJ-1GMF2R55C](#) [ERJ-1GMF8R66C](#) [25121WF1003T4E](#) [25121WF220JT4E](#) [25121WF470KT4E](#) [25.501.3653.0](#) [290-1.0M-RC](#) [292-4.7K-RC](#)
[304-1.0M-RC](#) [25121WF100KT4E](#) [25121WF4700T4E](#) [292-470K-RC](#) [302-1.0M-RC](#) [CPG1206F10KC](#) [CRCW02011R00FXED](#)
[CRCW060315K0FKEE](#) [CRCW06031K30FKEC](#) [CRCW060320K5FKEE](#) [CRG0201F10K](#) [RCG0402150RFKED](#) [RCG04023K92FKED](#)
[RCP2512B100RGWB](#) [RCWP110010R0FKS3](#) [RCWP11002K00FKS3](#) [RCWP110051R1FKS3](#) [RCWP12061K00FKS2](#) [3520510RJT](#)
[352075KJT](#) [M55342K11B9E53RUL](#) [RMC16-102JT](#) [RMC1JPTE](#) [TR0603MR-075K1L](#) [MM02041001FRC](#) [MMB0207-50-10R0FTR-L](#) [5-2176094-4](#) [35202K7JT](#) [WF06Q1000FTL](#) [ERJ-S03J1R0V](#)