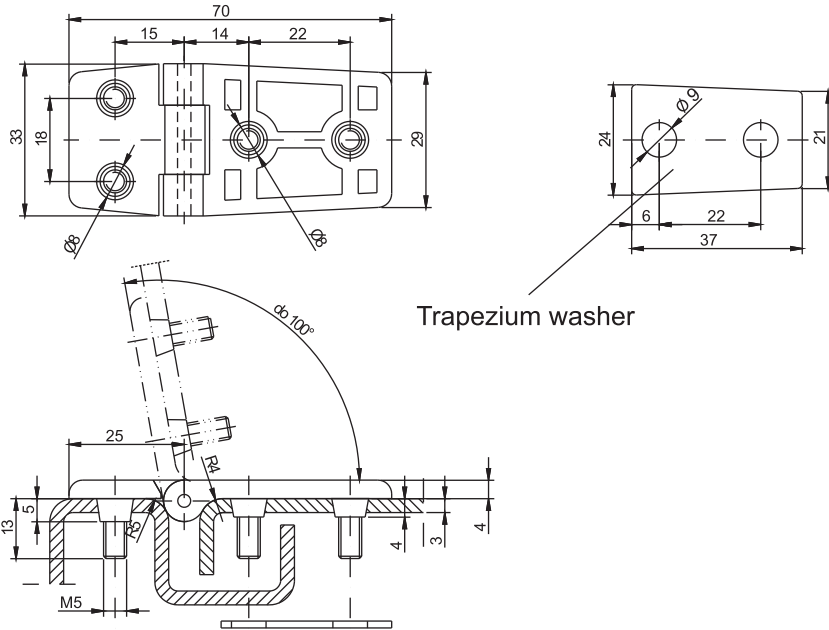
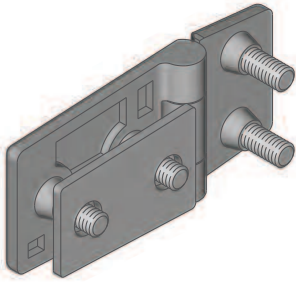
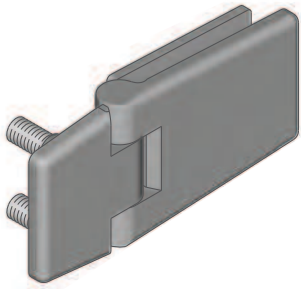
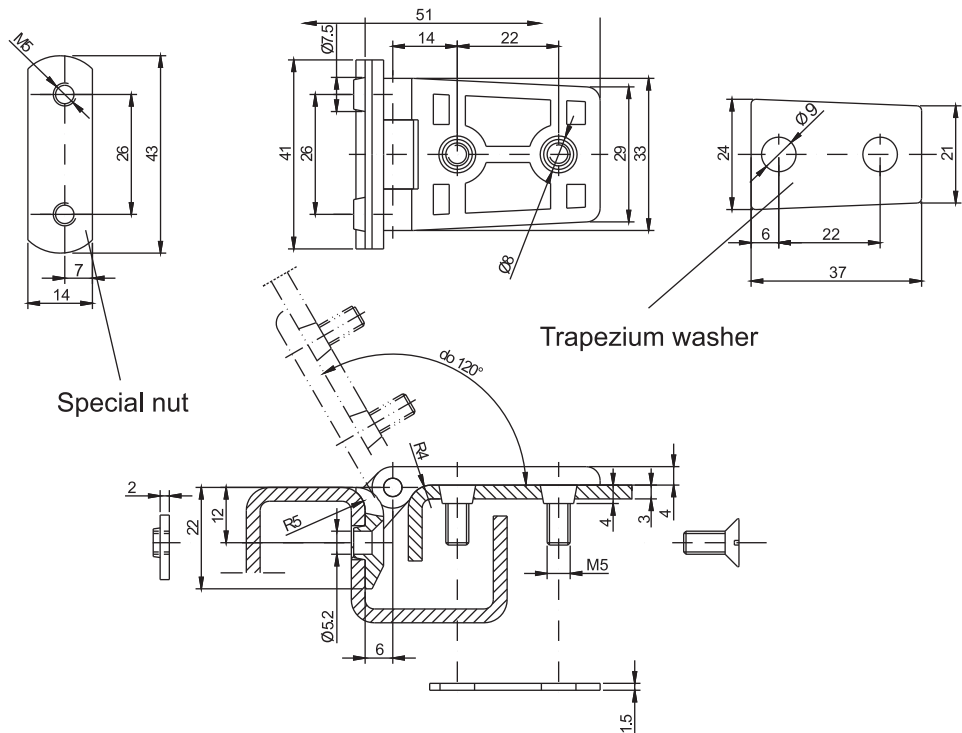
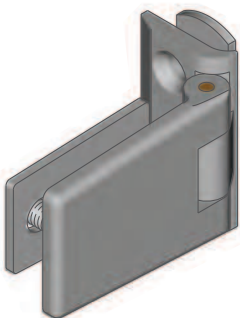
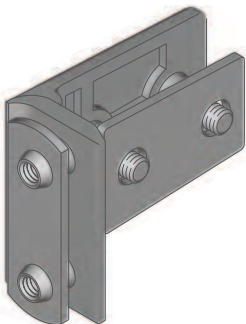


EXTERNAL HINGES



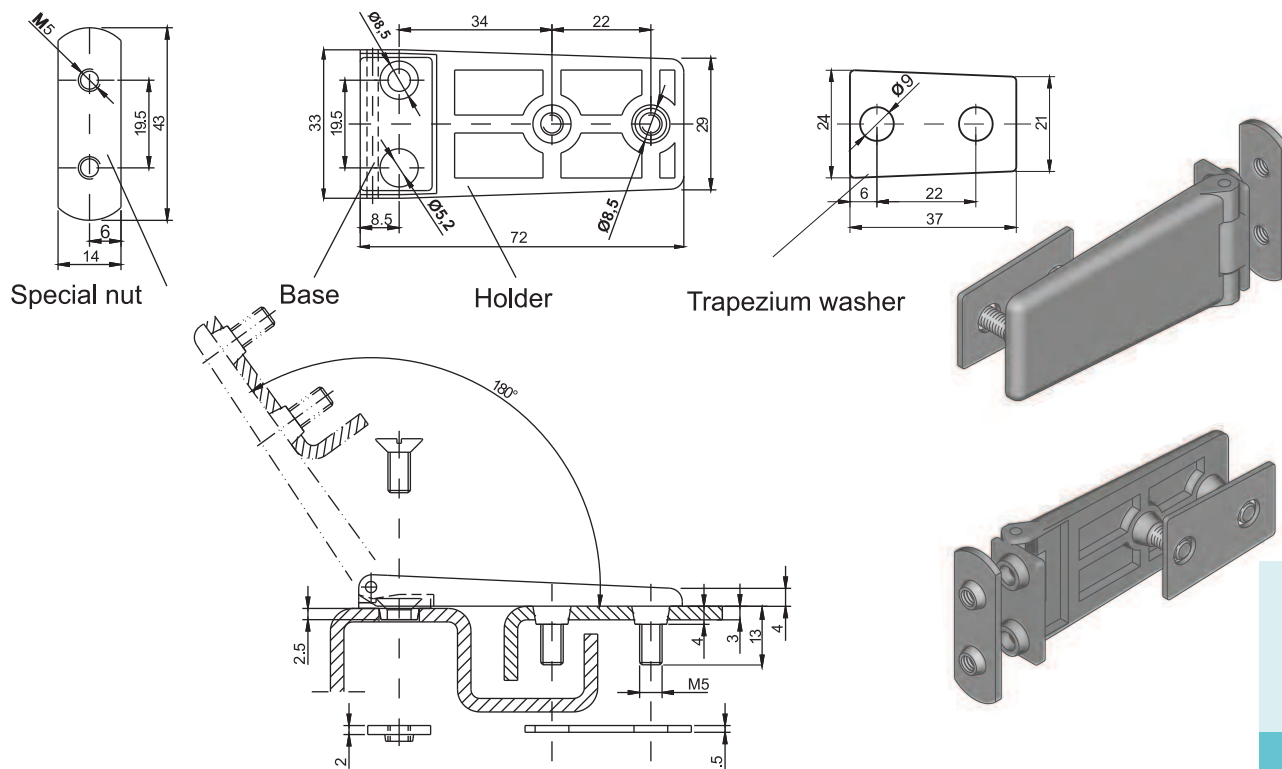
CATALOGUE NUMBER	FINISH	COMPONENTS	MATERIAL
3.ZN1.001	RAL 9005, 7035, *	Holder, Base, Pin	ZAMAK 5
		Washer, nut	Steel zinc plated

When ordering, specify the color or finishing type



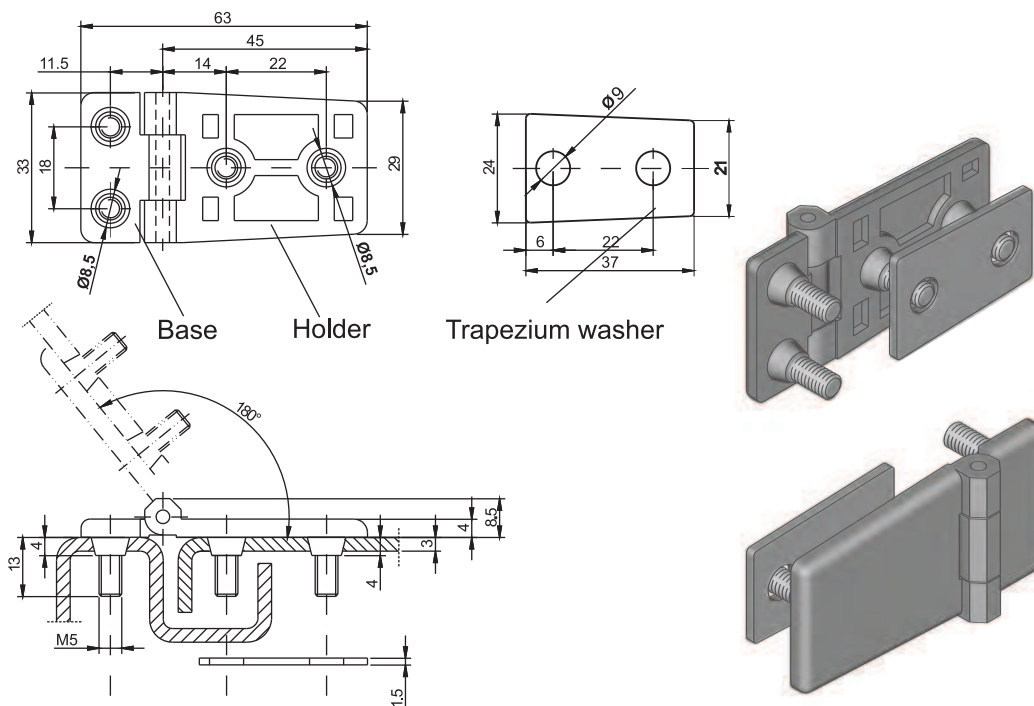
CATALOGUE NUMBER	FINISH	COMPONENTS	MATERIAL
3.ZN2.001	RAL 9005, 7035, *	Holder, Base, Pin	ZAMAK 5
		Washer, nut	Steel zinc plated

* possibility to make a different color
When ordering, specify the color or finishing type



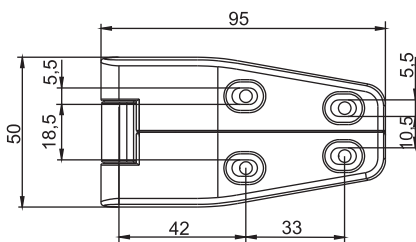
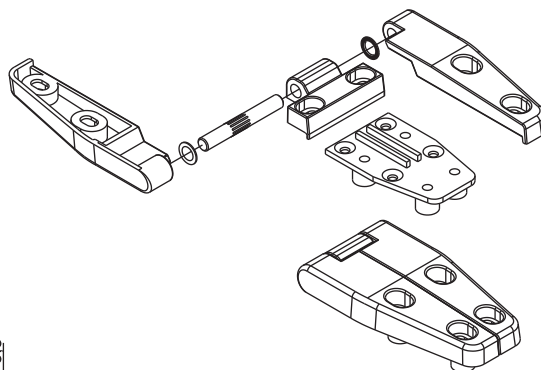
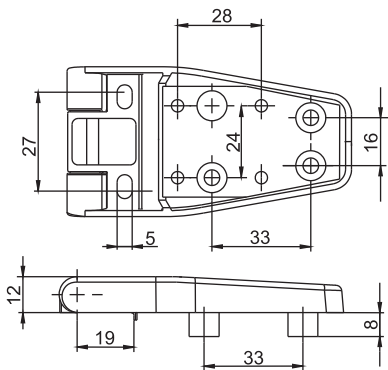
CATALOGUE NUMBER	FINISH	COMPONENTS	MATERIAL
3.ZN3.001	RAL 9005, 7035, *	Holder, Base,	ZAMAK 5
		Pin Washer, nut	Steel zinc plated

When ordering, specify the color or finishing type



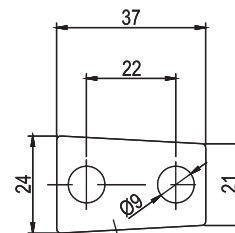
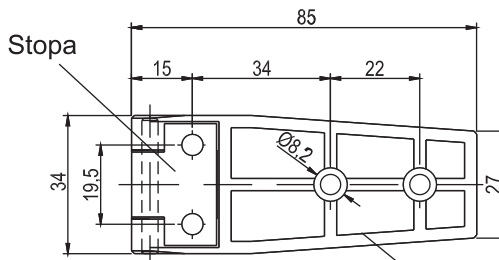
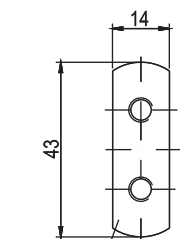
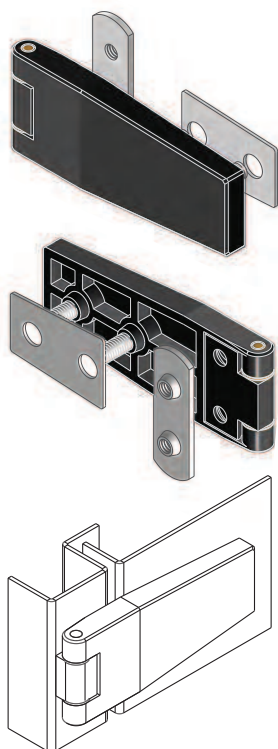
CATALOGUE NUMBER	FINISH	COMPONENTS	MATERIAL
3.ZN4.001	RAL 9005, 7035, *	Holder, Base,	ZAMAK 5
		Pin Washer, nut	Steel zinc plated

* possibility to make a different color
When ordering, specify the color or finishing type

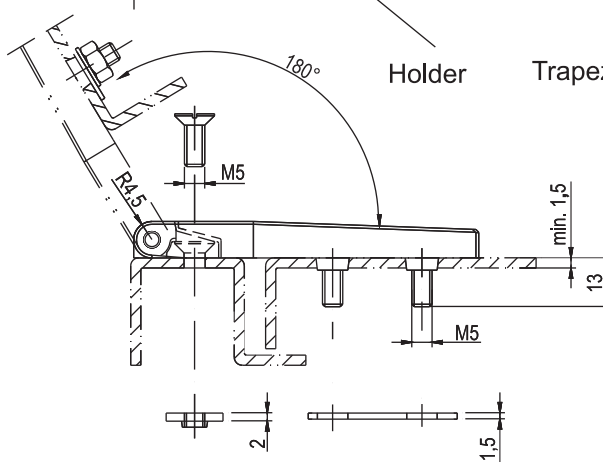
NEW


CATALOGUE NUMBER	FINISH	COMPONENTS	MATERIAL
3.ZN115.001	RAL 9005, 7035	Holder, Base,	ZAMAK 5
		Pin Washer, nut	Steel zinc plated

When ordering, specify the color or finishing type

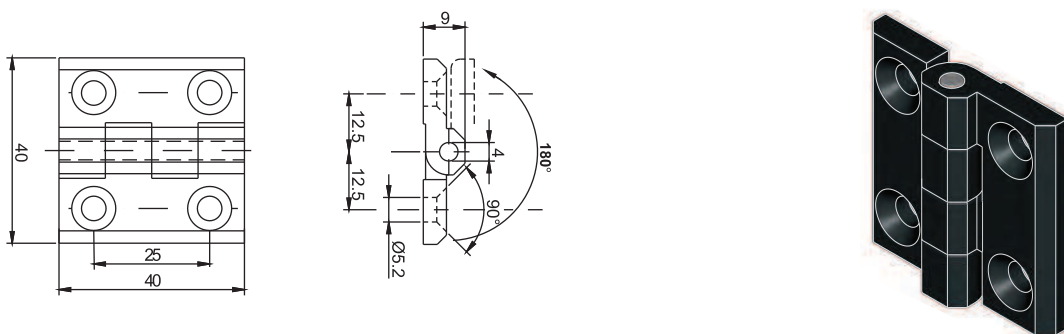


Special nut



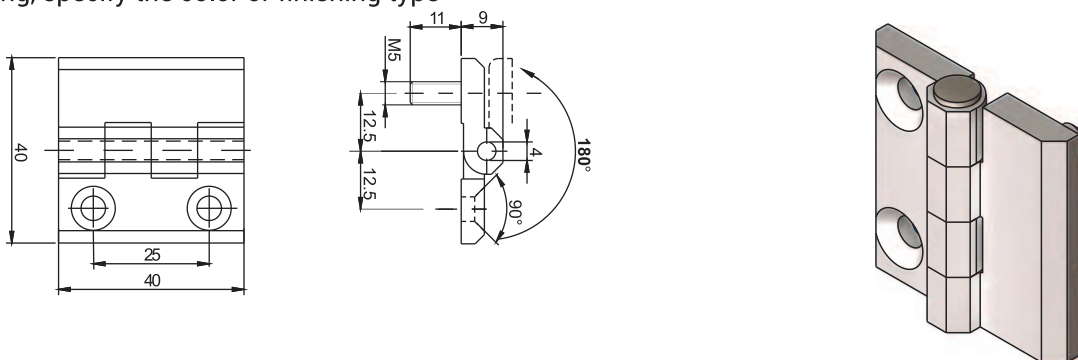
CATALOGUE NUMBER	FINISH	COMPONENTS	MATERIAL
3.ZN110.001	RAL 9005, 7035	Holder, Base,	ZAMAK 5
		Pin Washer, nut	Steel zinc plated

When ordering, specify the color or finishing type



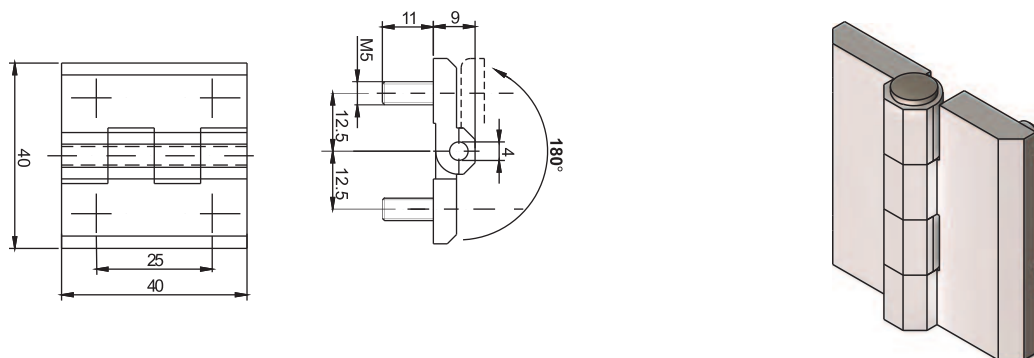
CATALOGUE NUMBER	FINISH	COMPONENTS	MATERIAL
3.ZN60.001	Chrome RAL 9005,7035	Holder, Base	ZAMAK 5
3.ZN60.003	Burnish	Holder, Base	Stainless steel

When ordering, specify the color or finishing type



CATALOGUE NUMBER	FINISH	COMPONENTS	MATERIAL
3.ZN60.004	Chrome RAL 9005, 7035	Holder, Base	ZAMAK 5
		Screw	Steel zinc plated, *

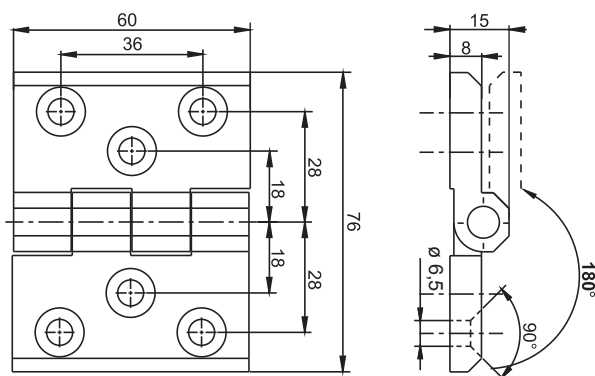
When ordering, specify the color or finishing type



CATALOGUE NUMBER	FINISH	COMPONENTS	MATERIAL
3.ZN60.002	Chrome RAL 9005, 7035	Holder, Base	ZAMAK 5
		Screw	Steel zinc plated, *

* possibility to order stainless steel pin.
When ordering, specify the color or finishing type

HINGES
3A

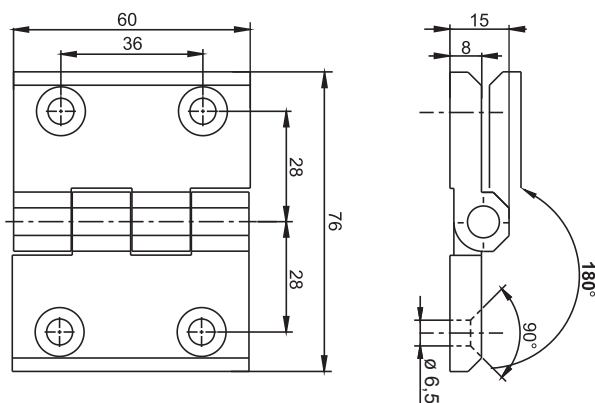
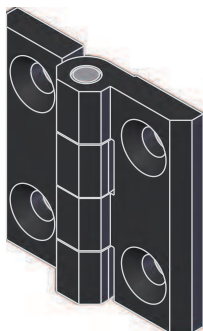


CATALOGUE NUMBER	FINISH	COMPONENTS	MATERIAL
3.ZN66.001	Chrome RAL 9005,7035	Holder, Base	ZAMAK 5

When ordering, specify the color or finishing type

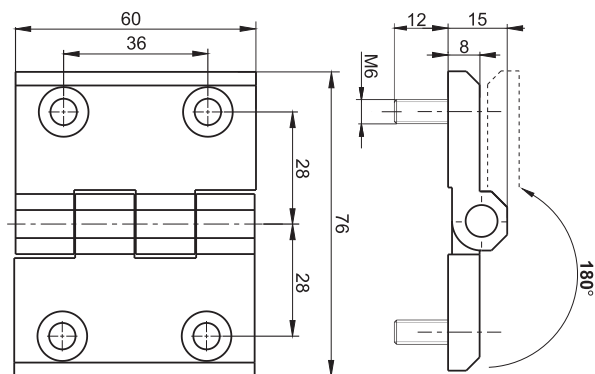
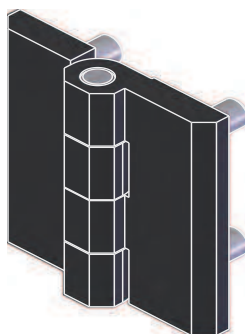
HINGES

3A



CATALOGUE NUMBER	FINISH	COMPONENTS	MATERIAL
3.ZN66.002	Chrome RAL 9005, 7035	Holder, Base	ZAMAK 5

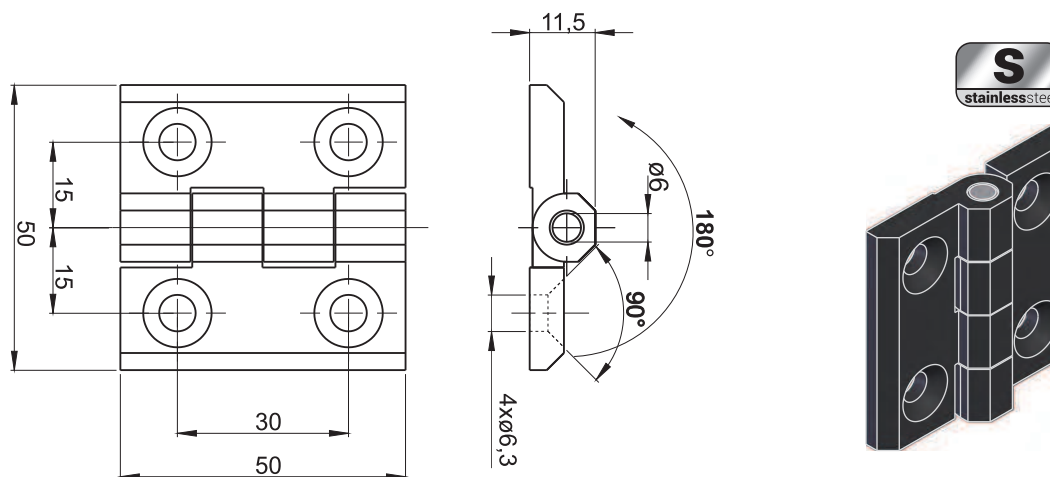
When ordering, specify the color or finishing type



CATALOGUE NUMBER	FINISH	COMPONENTS	MATERIAL
3.ZN66.003	Chrome RAL 9005, 7035	Holder, Base	ZAMAK 5
		Screw	Steel zinc plated, *

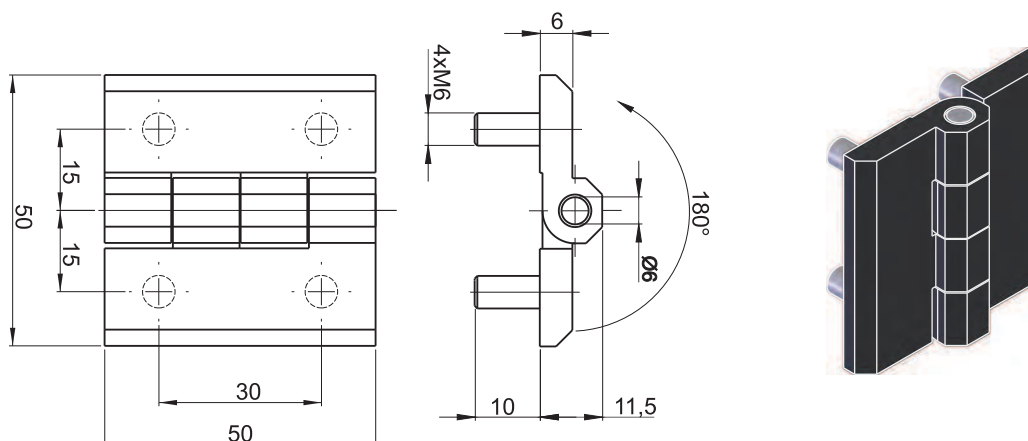
* possibility to order stainless steel pin.

When ordering, specify the color or finishing type



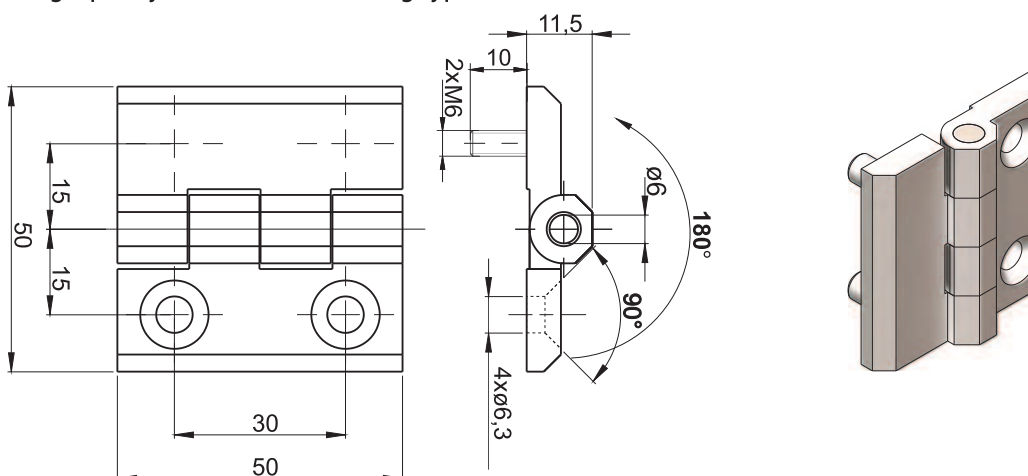
CATALOGUE NUMBER	FINISH	COMPONENTS	MATERIAL
3.ZN65.001	Chrome RAL 9005,7035	Holder, Base	ZAMAK 5
		Screw	Stainless steel

When ordering, specify the color or finishing type



CATALOGUE NUMBER	FINISH	COMPONENTS	MATERIAL
3.ZN65.002	Chrome RAL 9005, 7035	Holder, Base	ZAMAK 5
		Screw	Steel zinc plated, *

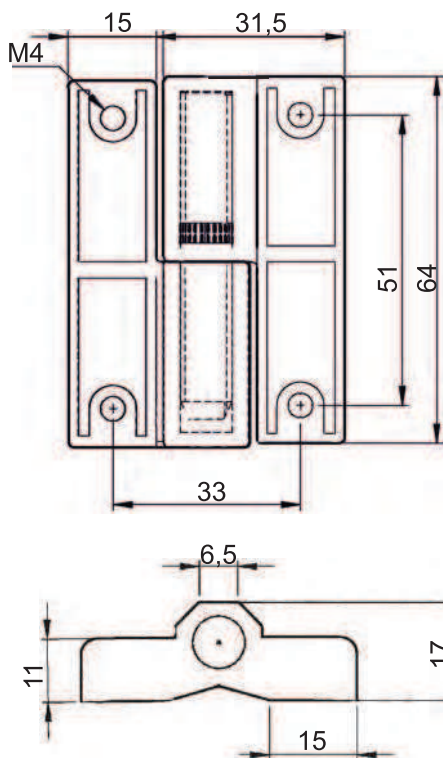
When ordering, specify the color or finishing type



CATALOGUE NUMBER	FINISH	COMPONENTS	MATERIAL
3.ZN65.003	Chrome RAL 9005, 7035	Holder, Base	ZAMAK 5
		Screw	Steel zinc plated, *

* possibility to order stainless steel pin.

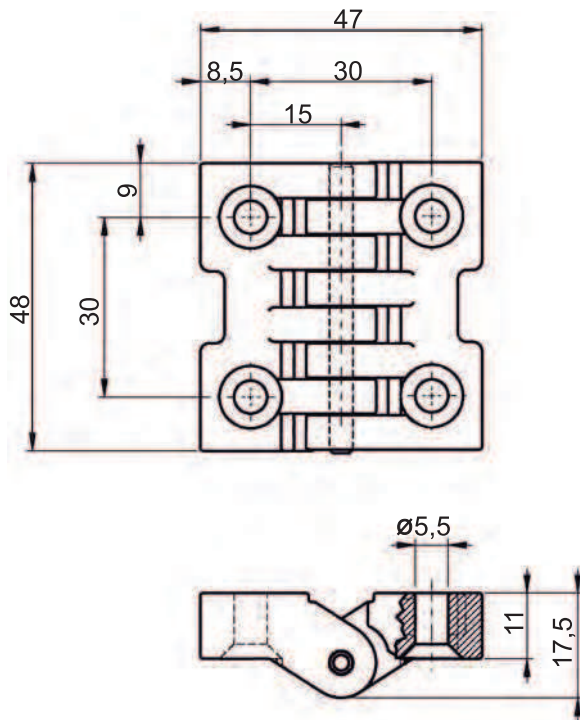
When ordering, specify the color or finishing type

NEW


CATALOGUE NUMBER	FINISH	COMPONENTS	MATERIAL
3.526.001	Chrome RAL 9005,7035	Holder, Base	ZAMAK 5
		Pin	Steel zinc plated

NEW

When ordering, specify the color or finishing type

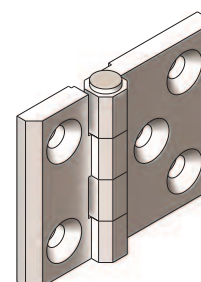
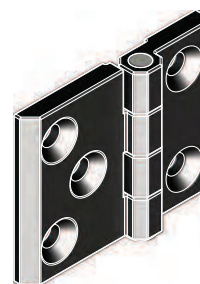
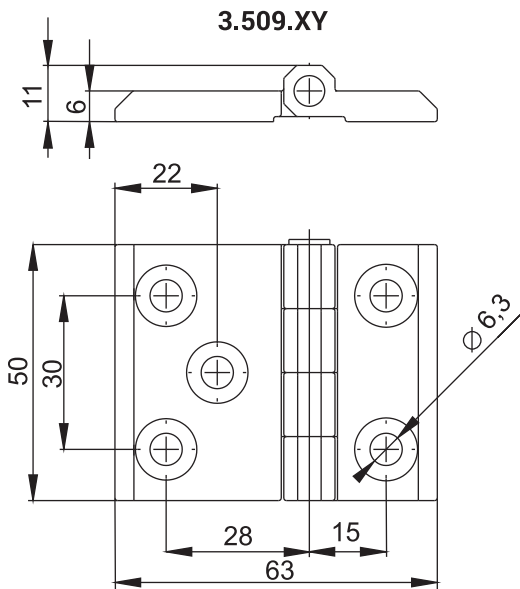


CATALOGUE NUMBER	FINISH	COMPONENTS	MATERIAL
3.527.001	Chrome RAL 9005, 7035	Holder, Base	Polyamide
		Pin	Steel zinc plated

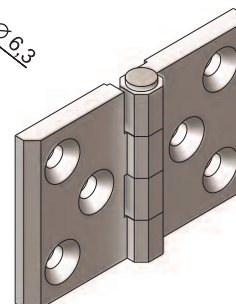
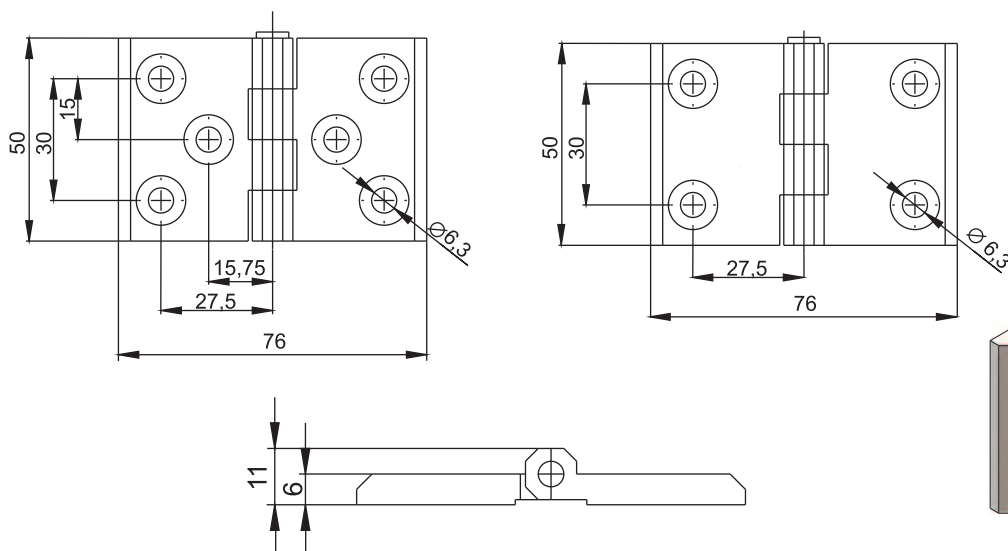
When ordering, specify the color or finishing type

 HINGES
3A

3A-7



3.510.XY



HINGES

3A

where:

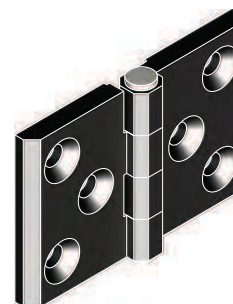
X - the way of assembling the hinge

- 0 - version with 4 holes
- 1 - version with 5 holes
- 2 - version with 6 holes

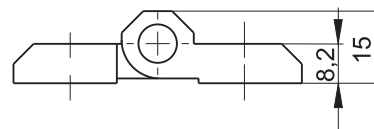
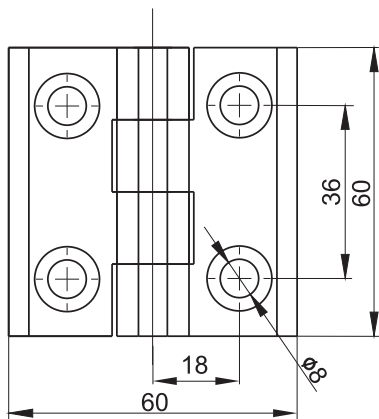
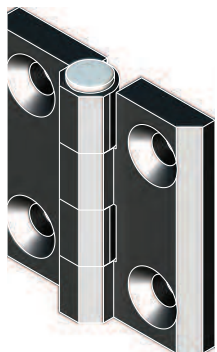
Y - finish

- 1 - Chrome
- 2 - RAL 9005
- 3 - Polyamide

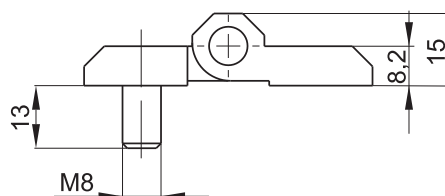
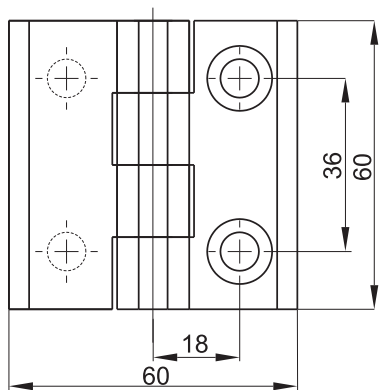
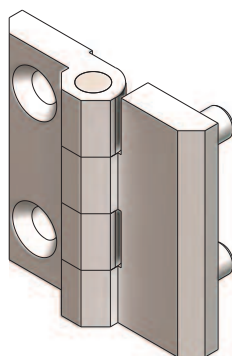
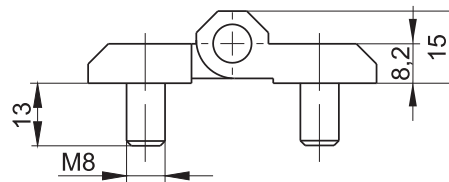
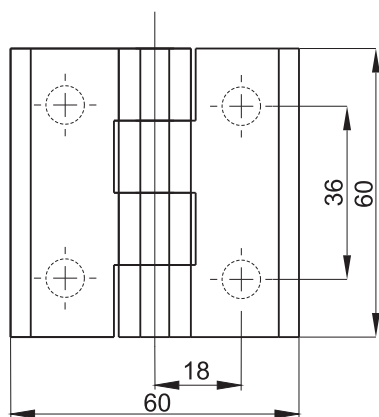
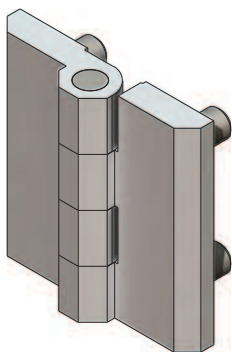
HINGE	FINISH		
3.509.XY	11	12	-
3.510.XY	21	22	23
	01	02	-



CATALOGUE NUMBER	COMPONENTS	MATERIAL
3.509.XY	Holder, Base	ZAMAK 5
3.510.XY	Pin	Steel zinc plated



Use screws M8 DIN965

HINGES
3A


HINGE	FINISH	
	3.511.XY	11
21		22
31		32

where:

X - the way of assembling the hinge

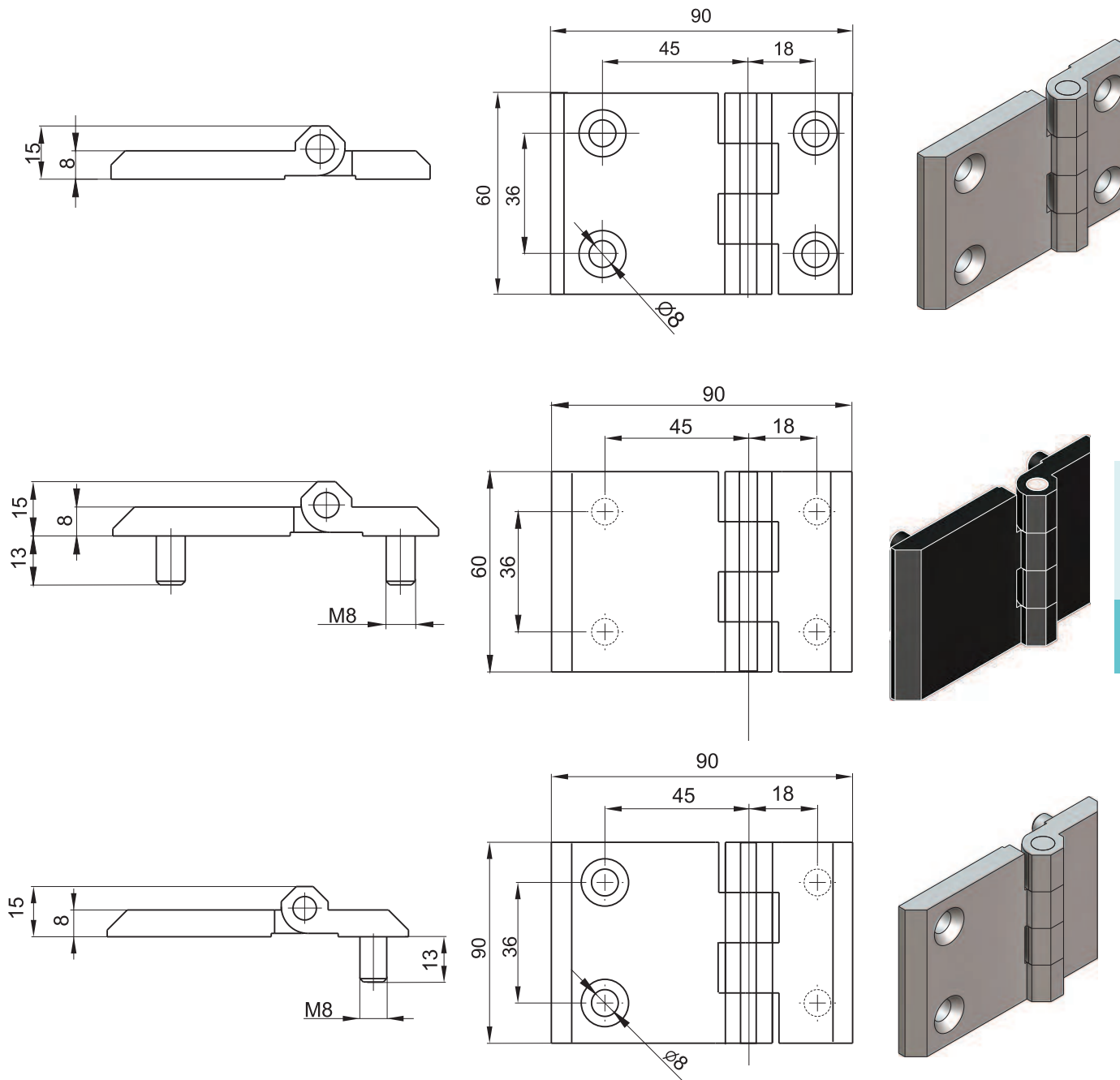
- 1 - version with 4 holes
- 2 - version with 4 threaded pins
- 3 - version with 2 holes and 2

Y - finish

- 1 - Chrome
- 2 - RAL 9005

CATALOGUE NUMBER	COMPONENTS	MATERIAL
3.511.XY*	Holder, Base	ZAMAK 5
	Pin	Steel zinc plated

* possibility to order stainless steel pin.

HINGE 3.512

HINGES
3A

where:

X - the way of assembling the hinge

- 1 - version with 4 holes
- 2 - version with 4 threaded pins
- 3 - version with 2 holes and 2 threaded pins

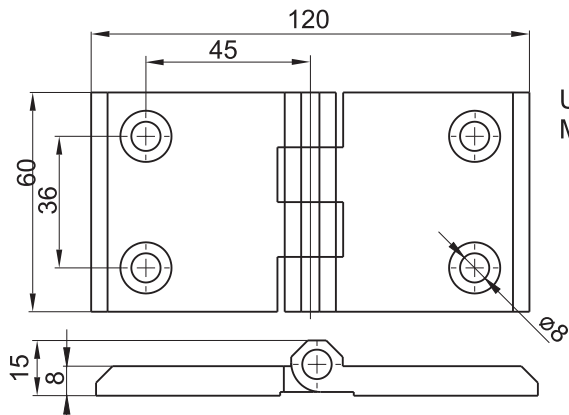
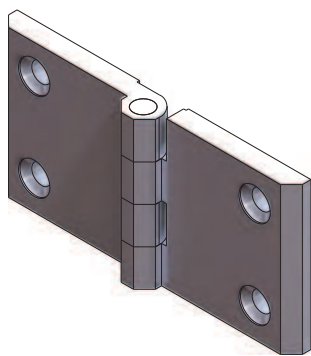
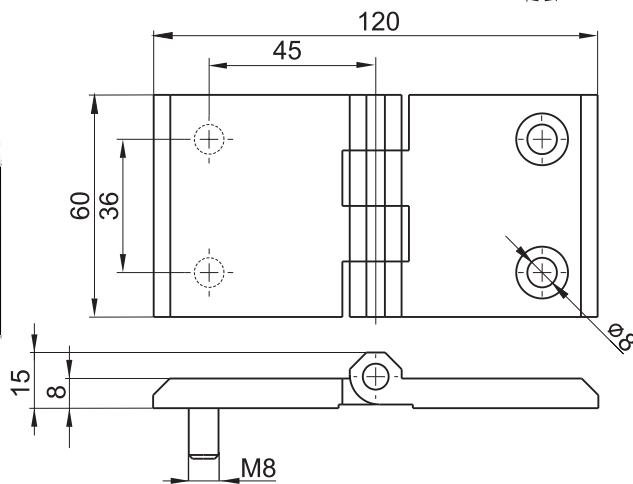
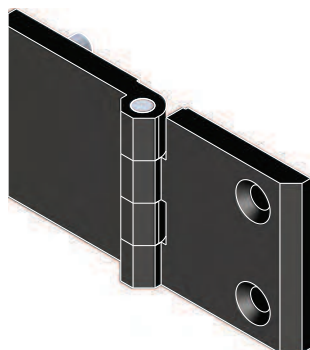
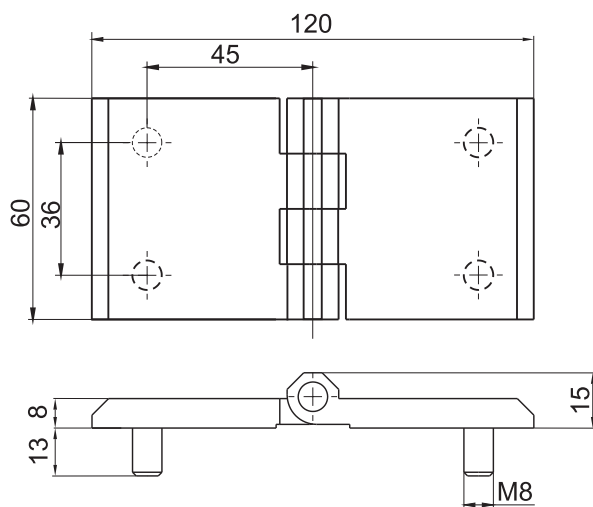
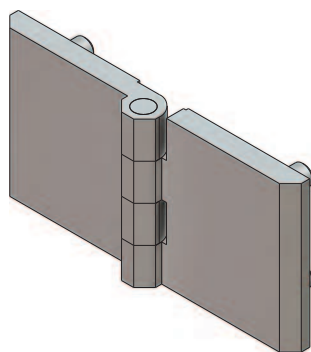
Y - finish

- 1 - Chrome
- 2 - RAL 9005

HINGE	FINISH	
	3.512.XY	11
21		22
31		32

CATALOGUE NUMBER	COMPONENTS	MATERIAL
3.512.XY*	Holder, Base	ZAMAK 5
	Pin	Steel zinc plated

* possibility to order stainless steel pin.


 Use screws
 M8 DIN965


HINGE	FINISH	
	3.513.XY	11
21		22
31		32

where:

X - the way of assembling the hinge

1 - version with 4 holes

2 - version with 4 threaded pins

3 - version with 2 holes and 2 threaded pins

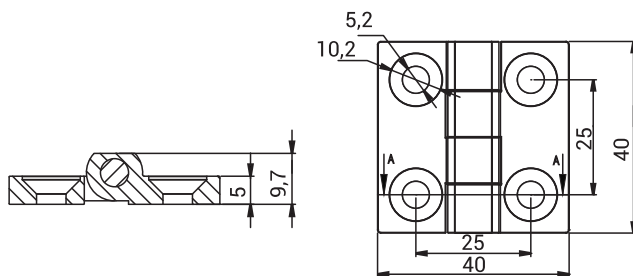
Y - finish

1 - Chrome

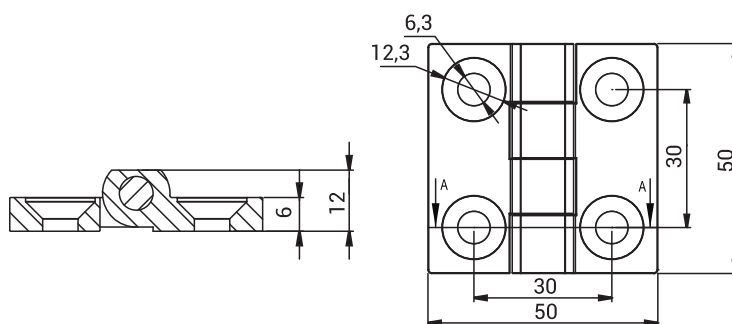
2 - RAL 9005

CATALOGUE NUMBER	COMPONENTS	MATERIAL
3.513.XY*	Holder, Base	ZAMAK 5
	Pin	Steel zinc plated

* possibility to order stainless steel pin.



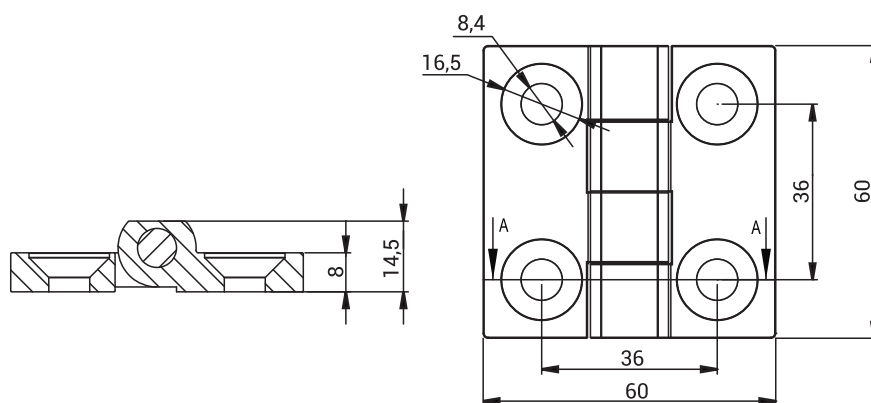
CATALOGUE NUMBER	FINISH	COMPONENTS	MATERIAL
3.540.001	RAL 9005	Holder, Base	Stainless steel



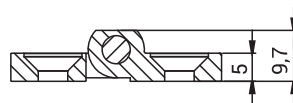
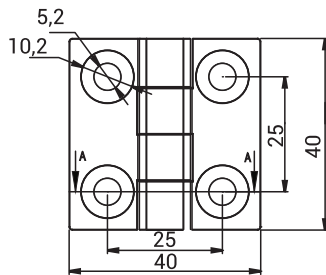
HINGES

3A

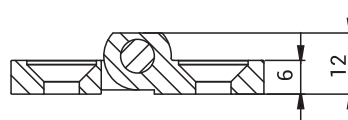
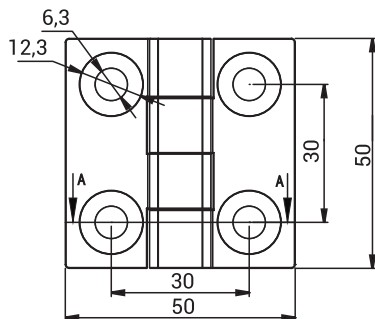
CATALOGUE NUMBER	FINISH	COMPONENTS	MATERIAL
3.540.002	RAL 9005	Holder, Base	Stainless steel



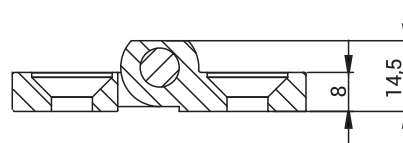
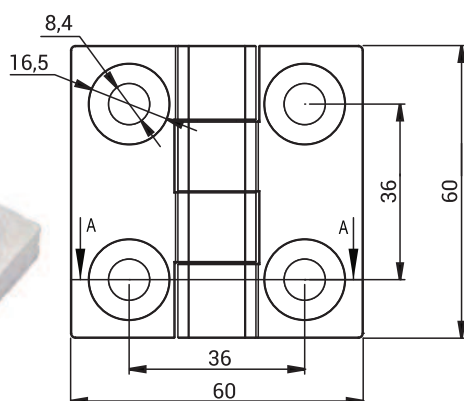
CATALOGUE NUMBER	FINISH	COMPONENTS	MATERIAL
3.540.003	RAL 9005	Holder, Base	Stainless steel



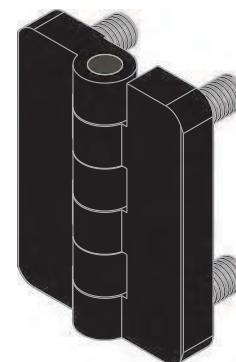
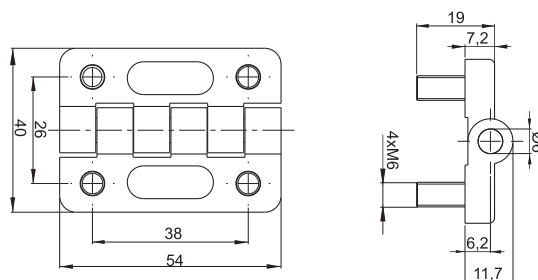
CATALOGUE NUMBER	FINISH	COMPONENTS	MATERIAL
3.541.001	Burnish	Holder, Base	Stainless steel



CATALOGUE NUMBER	FINISH	COMPONENTS	MATERIAL
3.541.002	Burnish	Holder, Base	Stainless steel



CATALOGUE NUMBER	FINISH	COMPONENTS	MATERIAL
3.541.003	Burnish	Holder, Base	Stainless steel

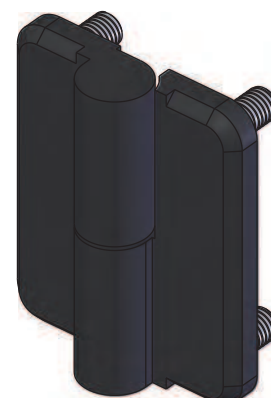
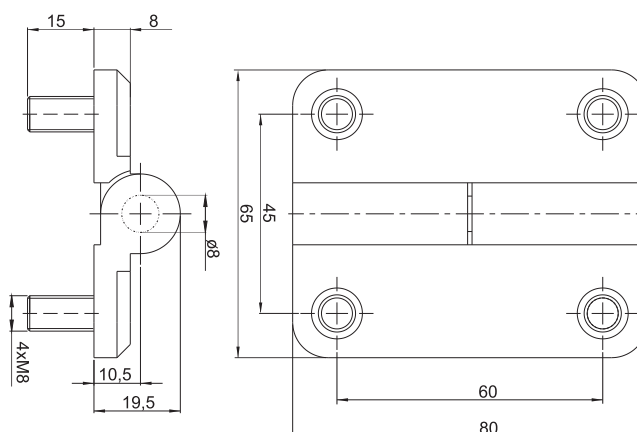


CATALOGUE NUMBER	FINISH	COMPONENTS	MATERIAL
3.ZN68.001*	RAL 9005	Holder, Base	ZAMAK 5
		Pin	Steel zinc plated



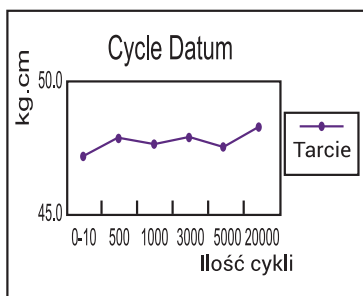
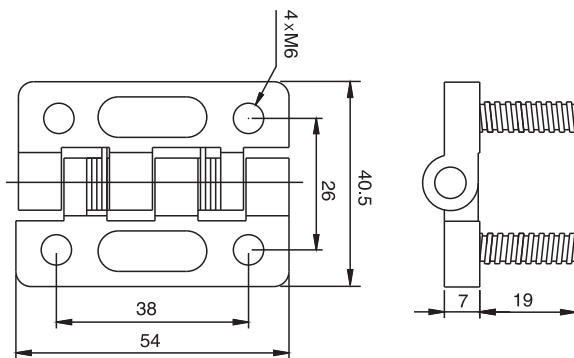
VERSION RIGHT
3.ZN67.001
3.ZN67.003

VERSION LEFT
3.ZN67.002
3.ZN67.004

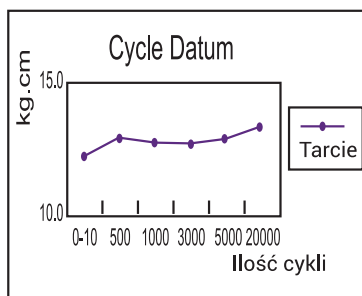


CATALOGUE NUMBER	FINISH	COMPONENTS	MATERIAL
3.ZN67.001*	RAL 9005	Holder, Base	ZAMAK 5
3.ZN67.002*		Pin	Steel zinc plated
3.ZN67.003*	RAL 7035	Holder, Base	ZAMAK 5
3.ZN67.004*		Pin	Steel zinc plated

* possibility to order stainless steel pin.

NEW


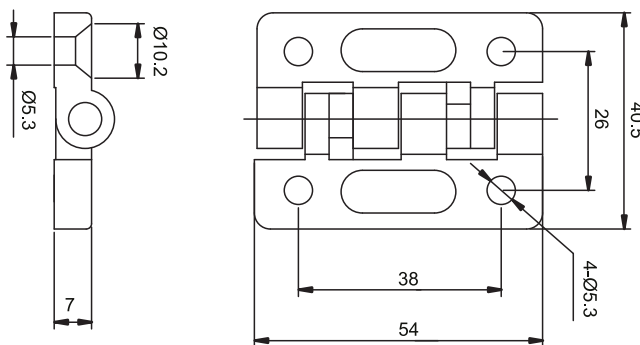
Hinge 3.543.001



Hinge 3.543.002

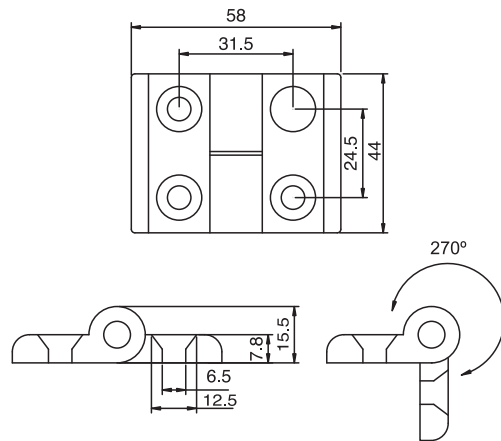
Type	Torque
3.543.001	47 kg.cm ± 15%
3.543.002	12 kg.cm ± 15%

CATALOGUE NUMBER	FINISH	COMPONENTS	MATERIAL
3.543.001	RAL9005	Holder, Base	ZAMAK5
3.543.002		Pin	Stainless steel

NEW


CATALOGUE NUMBER	FINISH	COMPONENTS	MATERIAL
3.543.101	RAL9005	Holder, Base	ZAMAK5

Hinges with linear course of frictional resistance.



NEW

3.544.001
Version right



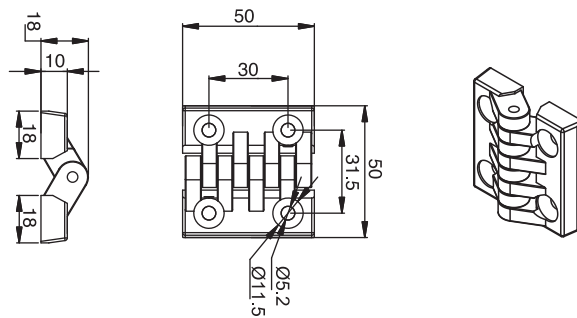
3.544.002
Version left



CATALOGUE NUMBER	FINISH	COMPONENTS	MATERIAL
3.544.001	RAL 9005	Holder, Base	Polyamide
3.544.002			

HINGES

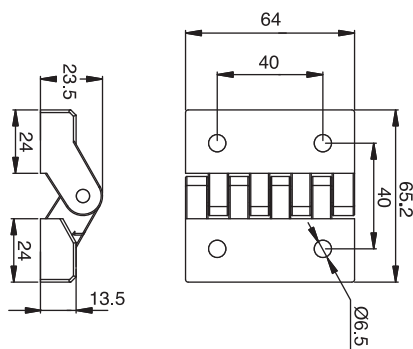
3A



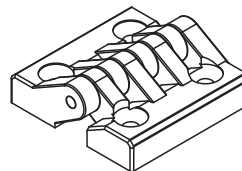
NEW



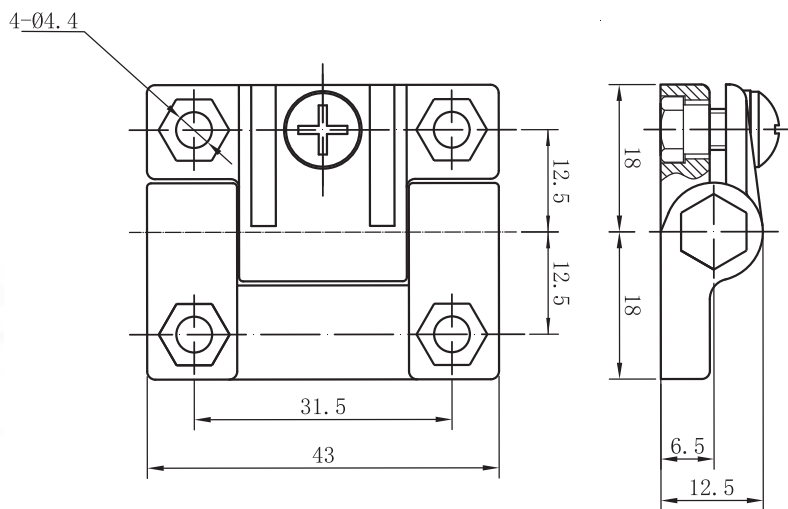
CATALOGUE NUMBER	FINISH	COMPONENTS	MATERIAL
3.545.001	RAL 9005	Holder, Base	Polyamide



NEW



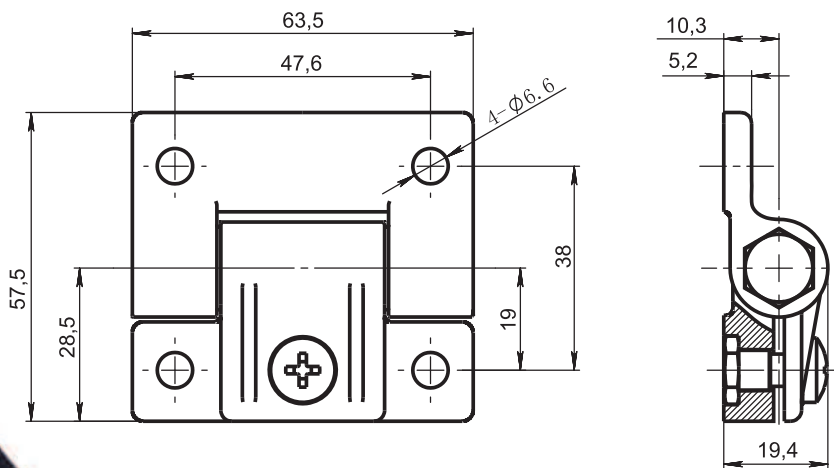
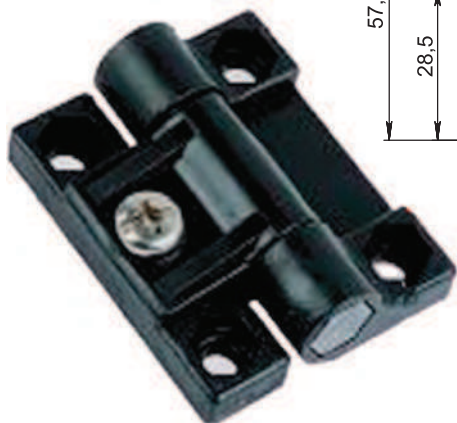
CATALOGUE NUMBER	FINISH	COMPONENTS	MATERIAL
3.545.002	RAL 9005	Holder, Base	Polyamide

NEW

Screw adjustment

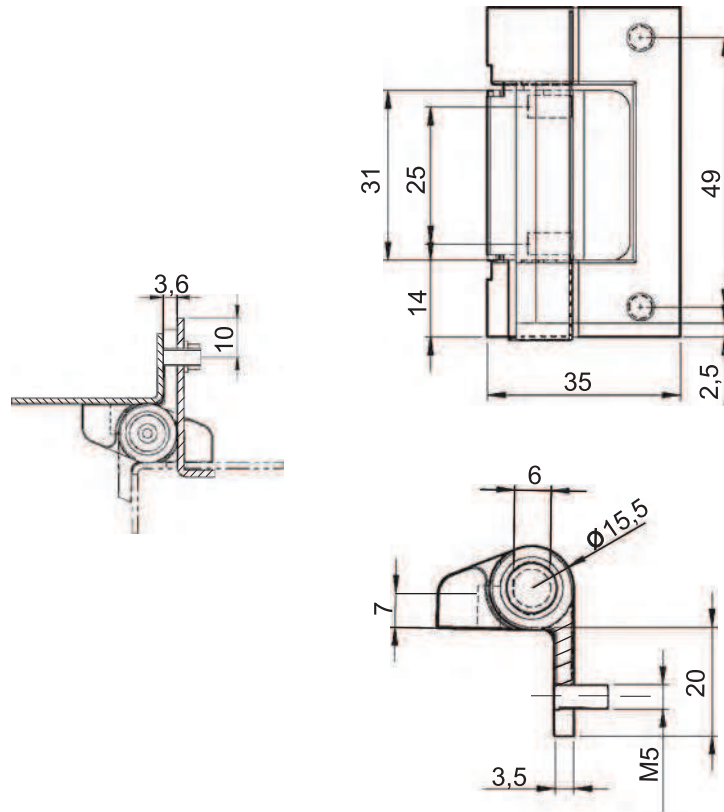
CATALOGUE NUMBER	FINISH	COMPONENTS	MATERIAL
3.516.002	RAL 9005	Holder, Base	Polyamide
		Pin	Steel zinc plated

HINGES

3A


Screw adjustment

CATALOGUE NUMBER	FINISH	COMPONENTS	MATERIAL
3.516.001	RAL 9005	Holder, Base	Polyamide
		Pin	Steel zinc plated



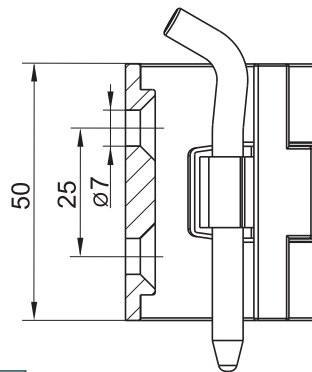
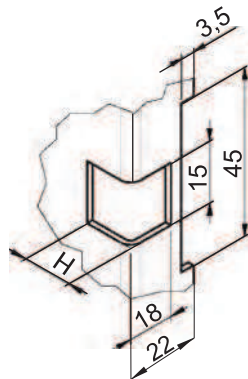
NEW



HINGES
3A

CATALOGUE NUMBER	FINISH	COMPONENTS	MATERIAL
3.528.001	Chrome RAL 9005	Holder, Base	ZAMAK 5
		Pin	Steel zinc plated, *

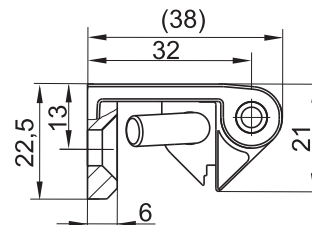
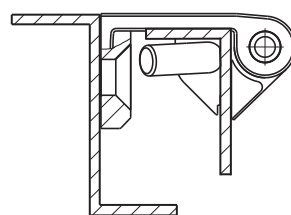
When ordering, specify the color or finishing type



NEW

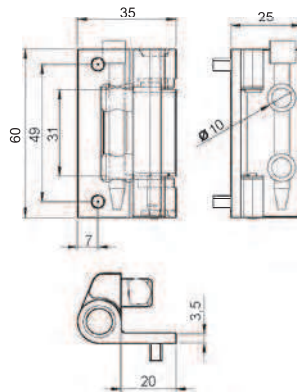


H [mm]	APPLICATION
13	only sheets 1,5 mm
15	only sheets 2 mm



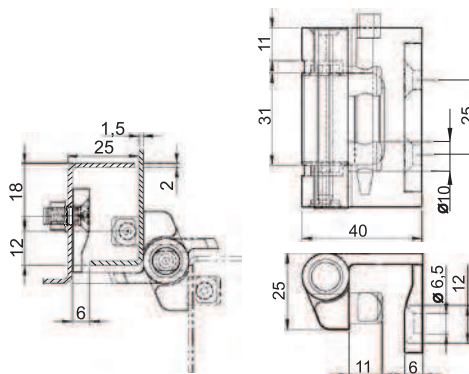
CATALOGUE NUMBER	FINISH	COMPONENTS	MATERIAL
3.ZN105.001*	Chrom RAL 9005	Holder, Base	ZAMAK 5
		Pin	Steel zinc plated

* possibility to order stainless steel pin.
When ordering, specify the color or finishing type

NEW


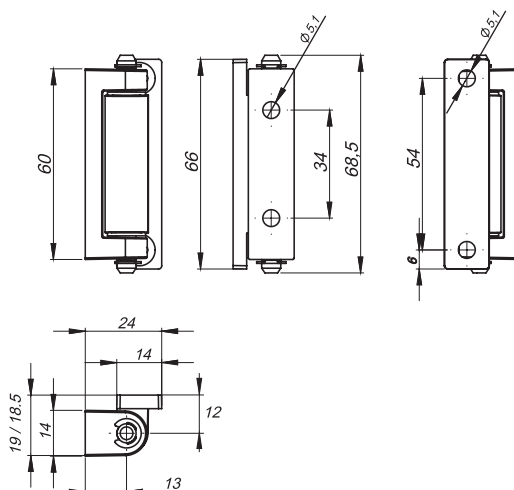
CATALOGUE NUMBER	FINISH	COMPONENTS	MATERIAL
3.529.001*	Chrome RAL 9005	Holder, Base	ZAMAK 5
		Pin	Steel zinc plated,*

* possible to order stainless steel pin.
When ordering, specify the color or finishing type

NEW


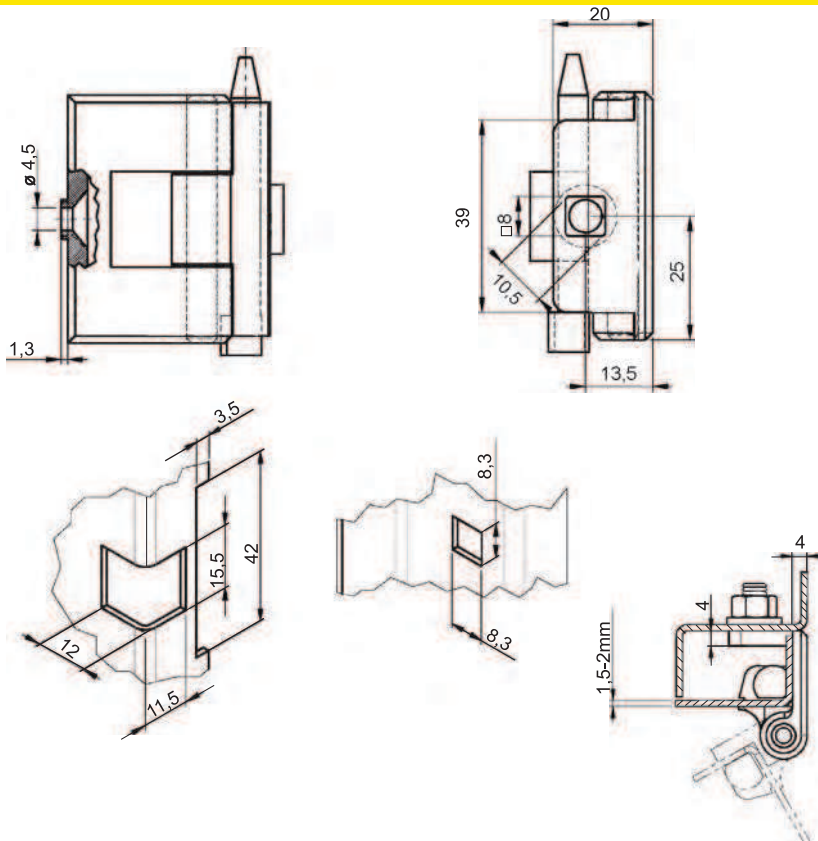
CATALOGUE NUMBER	FINISH	COMPONENTS	MATERIAL
3.530.001**	Chrome RAL 9005	Holder, Base	ZAMAK 5
		Pin	Steel zinc plated

** possible to order polyamide pin.
When ordering, specify the color or finishing type

NEW


CATALOGUE NUMBER	FINISH	COMPONENTS	MATERIAL
3.531.001*	Chrom RAL 9005	Holder, Base	ZAMAK 5
		Pin	Steel zinc plated

* possibility to order stainless steel pin
When ordering, specify the color or finishing type

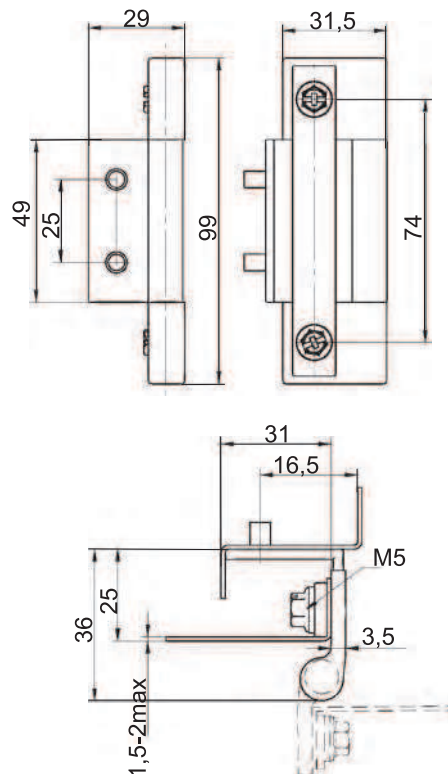


HINGES

3A

CATALOGUE NUMBER	FINISH	COMPONENTS	MATERIAL
3.528.001*	Chrome RAL 9005	Holder, Base	ZAMAK 5
		Pin	Steel zinc plated

When ordering, specify the color or finishing type

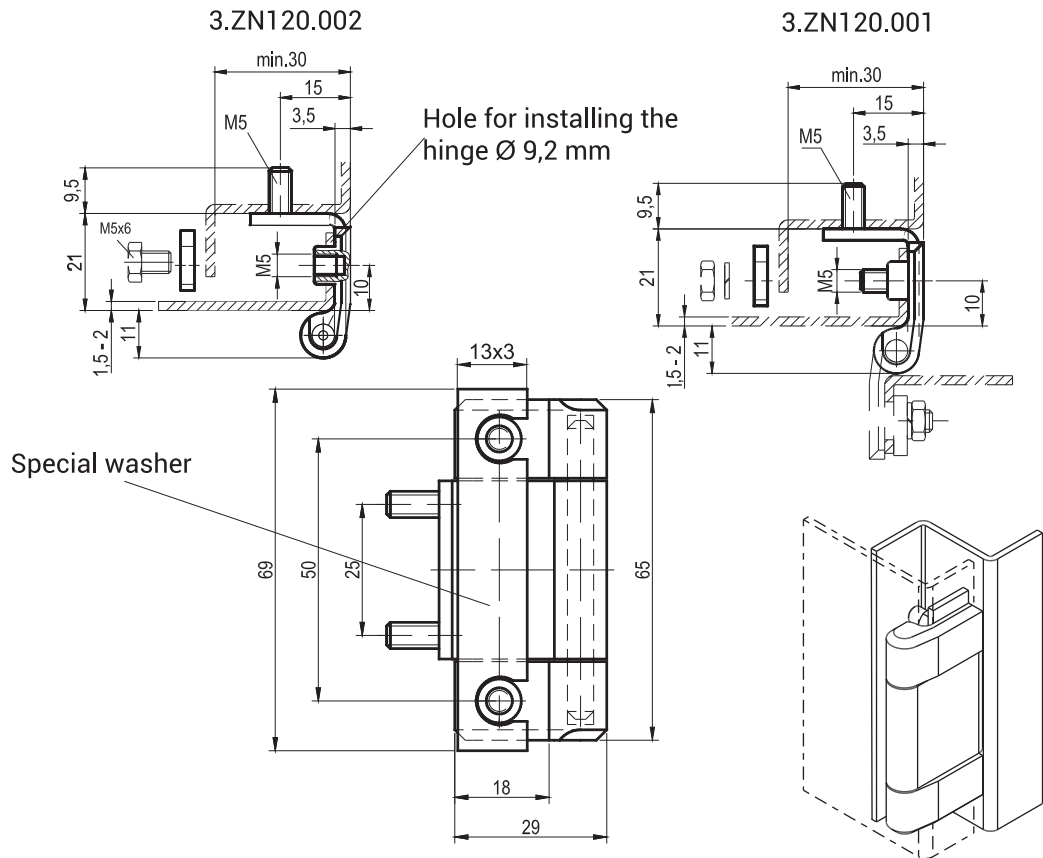
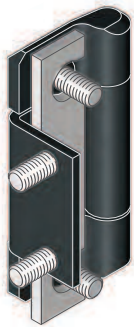
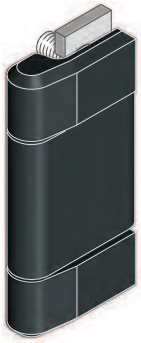


NEW



CATALOGUE NUMBER	FINISH	COMPONENTS	MATERIAL
3.536.001	RAL 9005	Holder	ZAMAK 5
		Base	Steel zinc plated

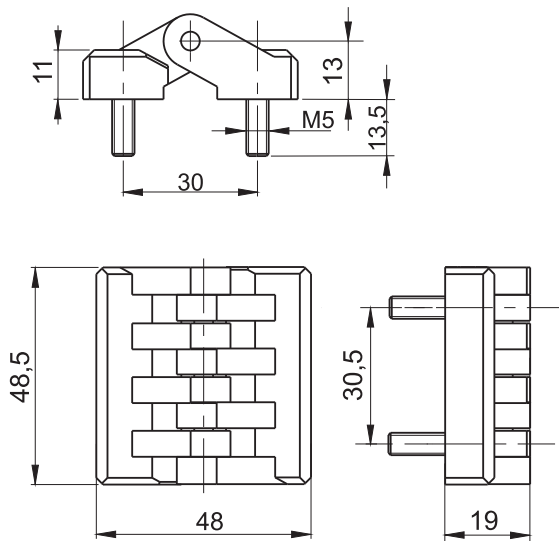
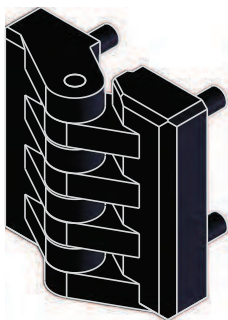
* possibility to order with polyamide pin



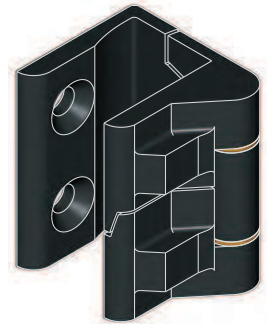
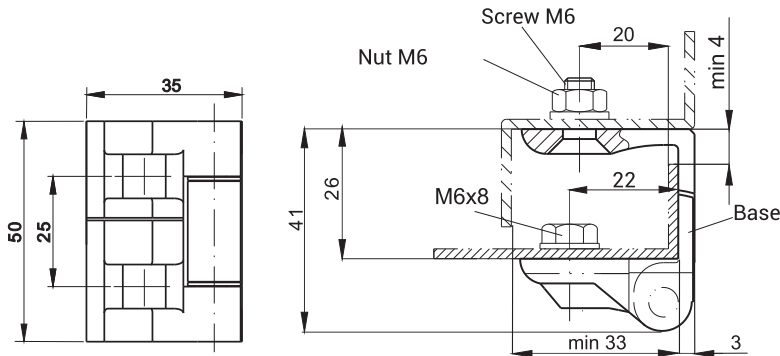
Note:
When using the hinge to sheet a thickness of 1 mm, should order special washer having a thickness of 1 mm

CATALOGUE NUMBER	FINISH	COMPONENTS	MATERIAL
3.ZN120.001	RAL 9005	Holder, Base	ZAMAK 5
3.ZN120.002	RAL 7035		
		Pin	Steel zinc plated

When ordering, specify the color or finishing type

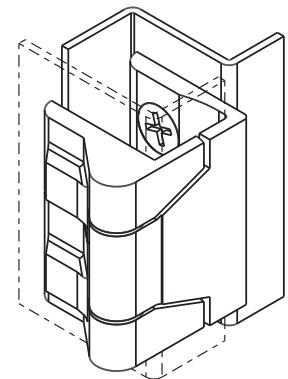
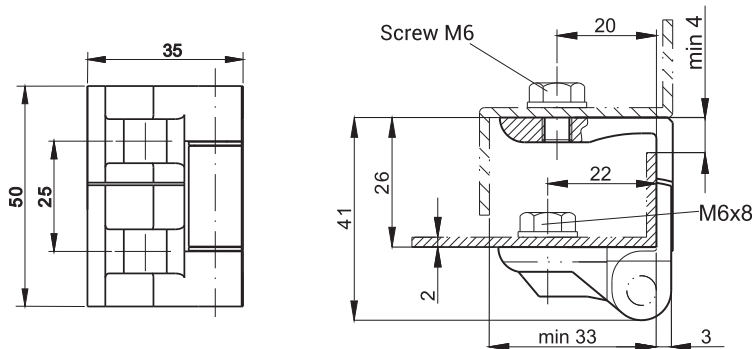


CATALOGUE NUMBER	FINISH	COMPONENTS	MATERIAL
3.ZN48-PA.001	RAL 9005	Holder, Base	Polyamide
		Pin	Stainless steel



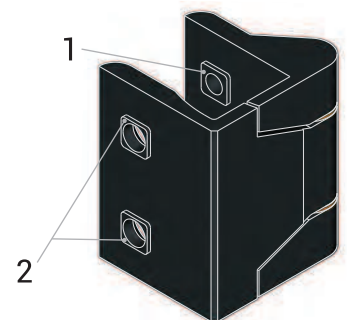
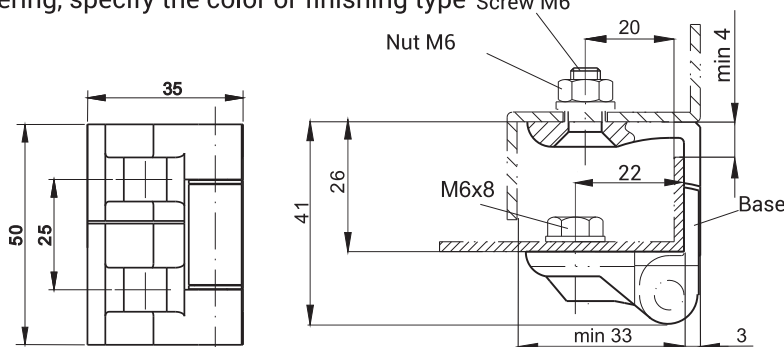
CATALOGUE NUMBER	FINISH	COMPONENTS	MATERIAL
3.ZN130.001	RAL 9005 RAL 7035, *	Holder	ZAMAK 5
		Base	ZAMAK 5
		Pin	Steel zinc plated

When ordering, specify the color or finishing type



CATALOGUE NUMBER	FINISH	COMPONENTS	MATERIAL
3.ZN130.002	RAL 9005 RAL 7035, *	Holder	ZAMAK 5
		Base	ZAMAK 5
		Pin	Steel zinc plated

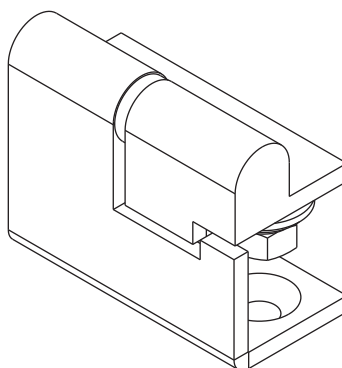
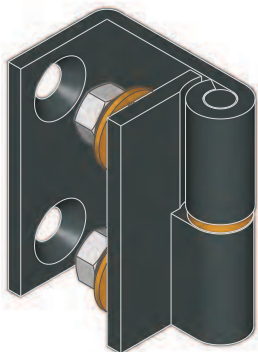
When ordering, specify the color or finishing type



1. Holder with shoulder □ 8x1mm in standard version
2. Base with shoulder □ 8x1mm in version 3.ZN130.003

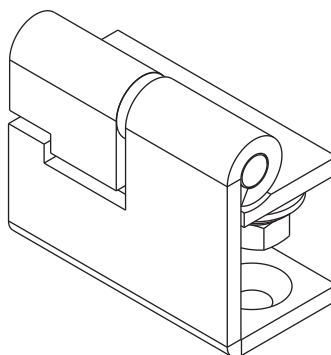
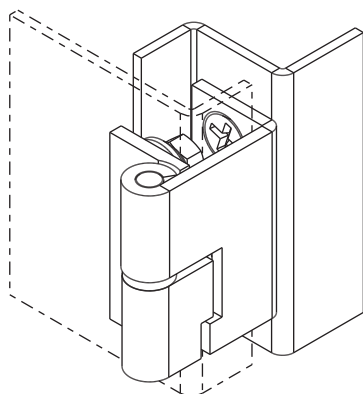
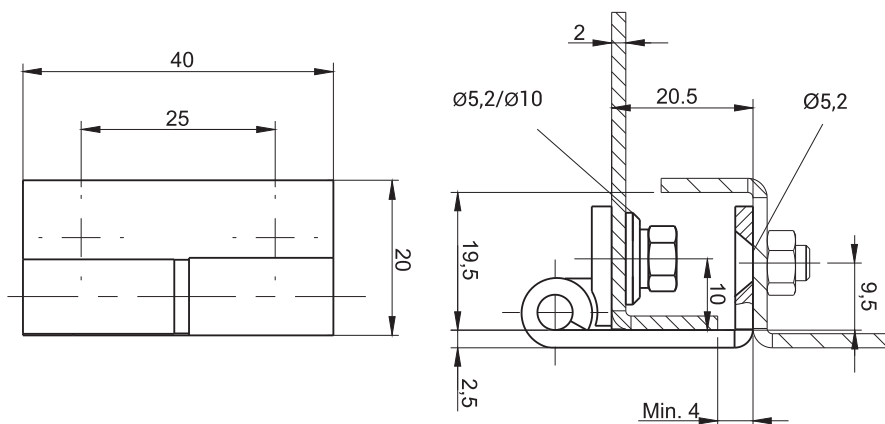
CATALOGUE NUMBER	FINISH	COMPONENTS	MATERIAL
3.ZN130.003	RAL 9005 RAL 7035,*	Holder	ZAMAK 5
		Base	ZAMAK 5
		Pin	Steel zinc plated

When ordering, specify the color or finishing type


RIGHT VERSION

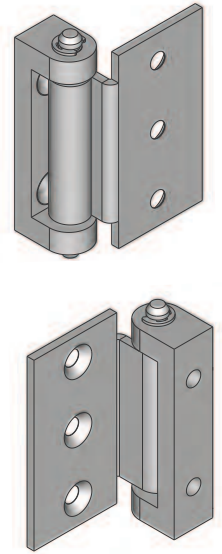
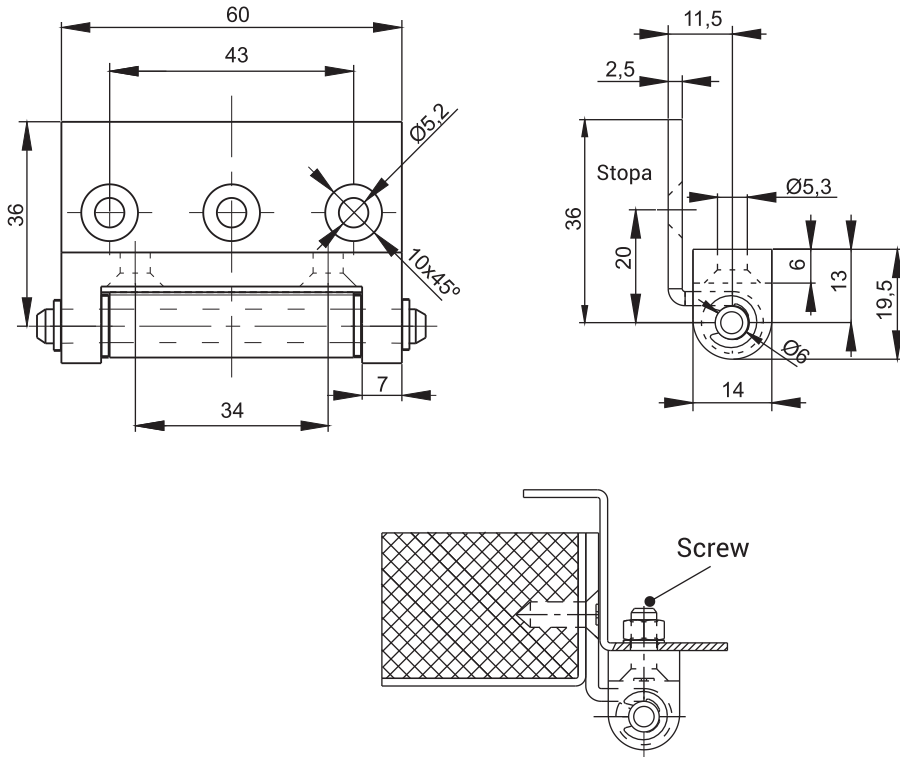
CATALOGUE NUMBER	FINISH	COMPONENTS	MATERIAL
3.ZN140.001	RAL 9005 RAL 7035	Holder	Brass
		Base	Steel zinc plated
		Pin	Steel zinc plated

When ordering, specify the color or finishing type


LEFT VERSION


CATALOGUE NUMBER	FINISH	COMPONENTS	MATERIAL
3.ZN140.002	RAL 9005 RAL 7035	Holder	Brass
		Base	Steel zinc plated
		Pin	Steel zinc plated

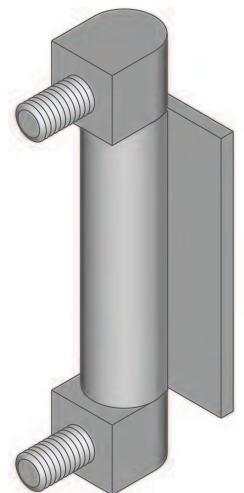
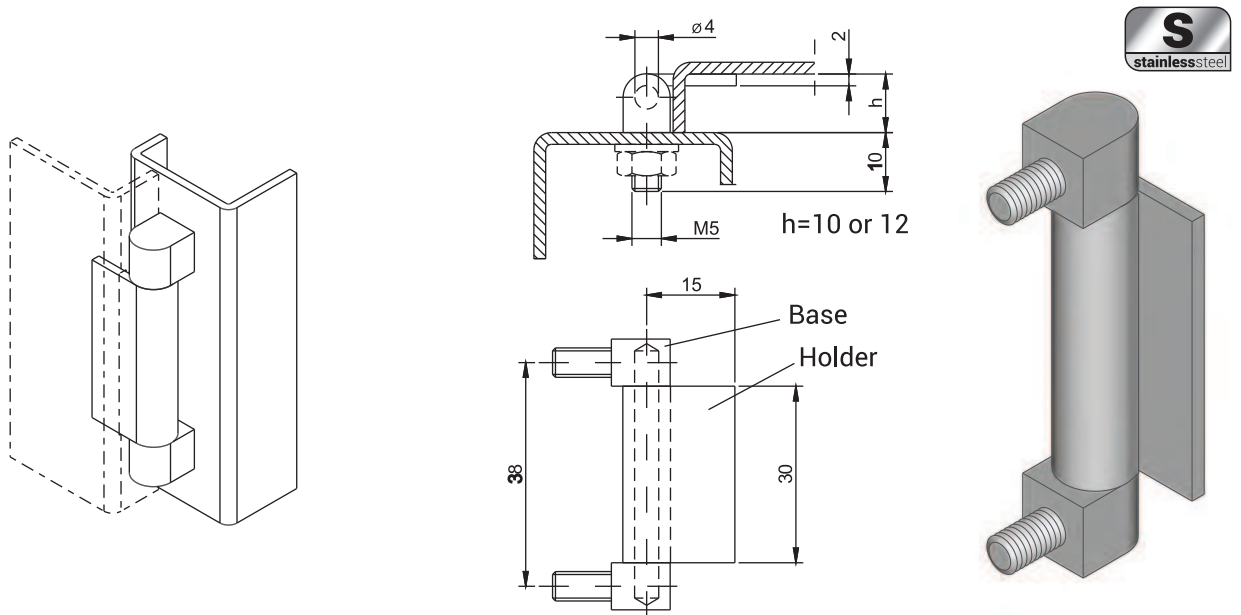
When ordering, specify the color or finishing type



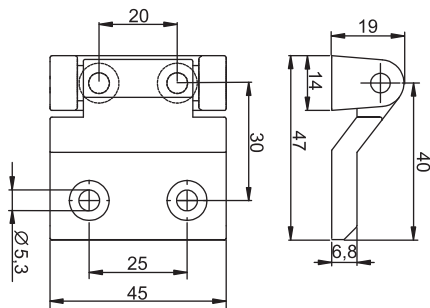
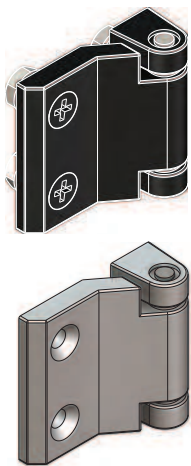
HINGES

3A

CATALOGUE NUMBER	COMPONENTS	MATERIAL
3.ST42.001	Holder	Steel zinc plated
	Base	Steel zinc plated
	Pin	Steel zinc plated



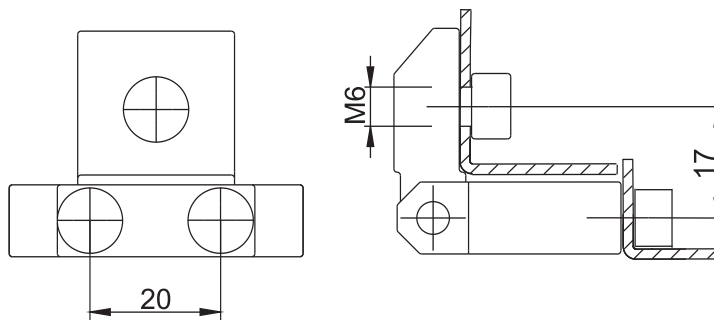
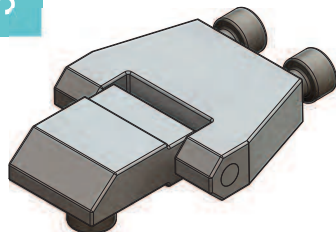
CATALOGUE NUMBER	COMPONENTS	MATERIAL
3.ST23.001	Holder	Steel zinc plated
	Base, Pin	Steel zinc plated
3.ST23.001SN	Holder	Stainless steel
	Base, Pin	Stainless steel



CATALOGUE NUMBER	FINISH	COMPONENTS	MATERIAL
3.514.001	Chrome	Holder, Base	ZAMAK5
		Pin	Steel zinc plated
3.514.002	RAL 9005	Holder, Base	ZAMAK 5
		Pin	Steel zinc plated

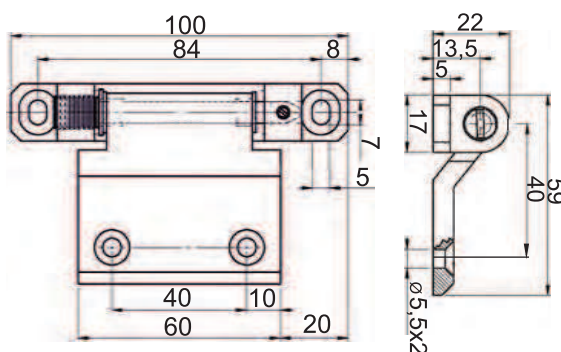
HINGES

3A



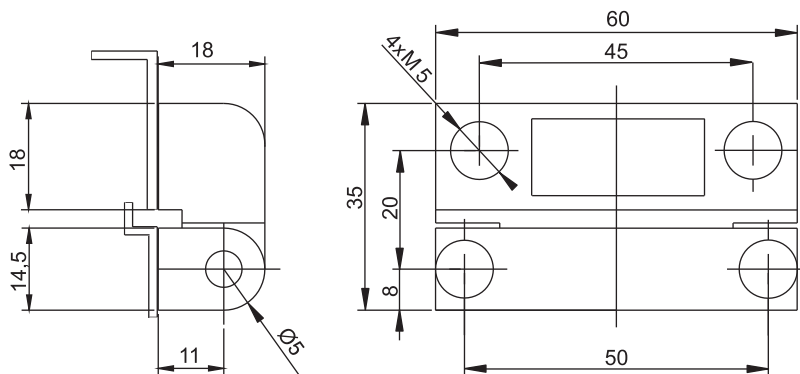
CATALOGUE NUMBER	FINISH	COMPONENTS	MATERIAL
3.515.001	Chrome	Holder, Base	ZAMAK 5
		Pin	Steel zinc plated
3.515.002	RAL 9005	Holder, Base	ZAMAK 5
		Pin	Steel zinc plated

NEW



CATALOGUE NUMBER	FINISH	COMPONENTS	MATERIAL
3.535.001	RAL 9005	Holder	ZAMAK 5
	Chrome	Base	ZAMAK 5

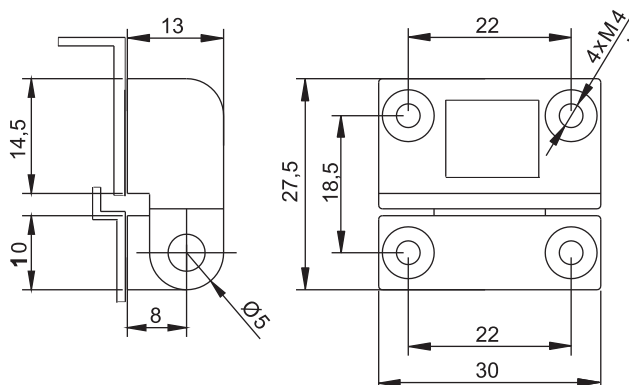
When ordering, specify the color or finishing type



NEW



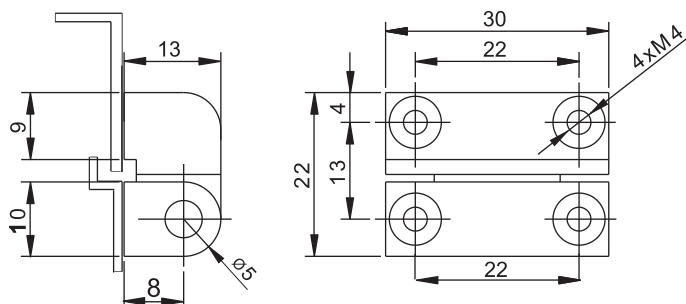
CATALOGUE NUMBER	HINGE	FINISH [X]	
	3.517.001.X	3.517.001.X	1
		2	Nickel
CATALOGUE NUMBER	COMPONENTS	MATERIAL	
3.517.001.X	Holder, Base	ZAMAK 5	
	Pin	Steel zinc plated	



NEW



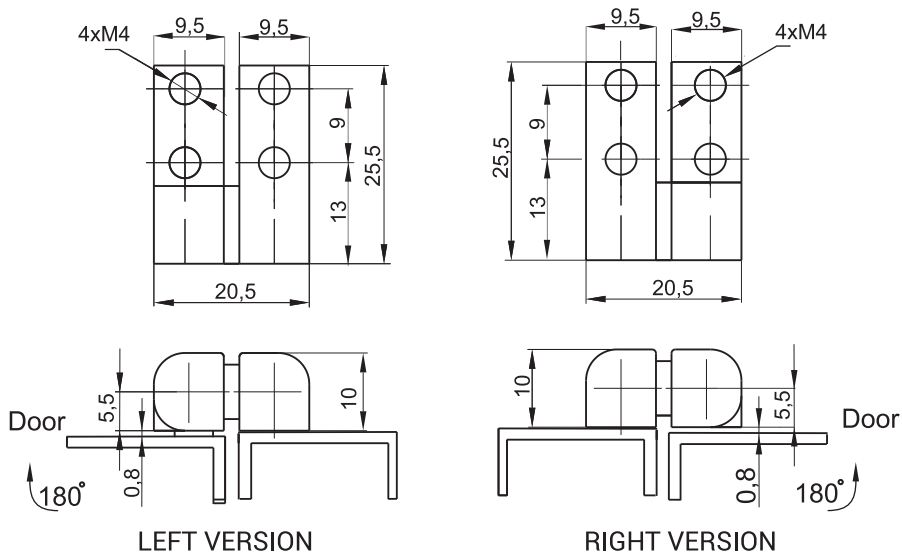
CATALOGUE NUMBER	HINGE	FINISH [X]	
	3.517.002.X	3.517.002.X	1
		2	Nickel
CATALOGUE NUMBER	COMPONENTS	MATERIAL	
3.517.002.X	Holder, Base	ZAMAK 5	
	Pin	Steel zinc plated	



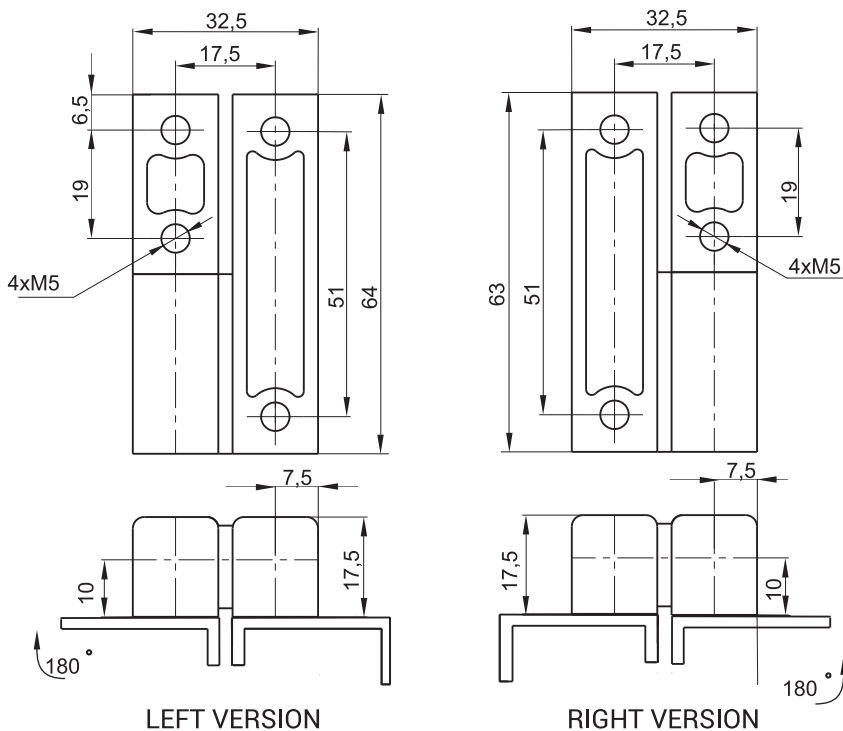
NEW



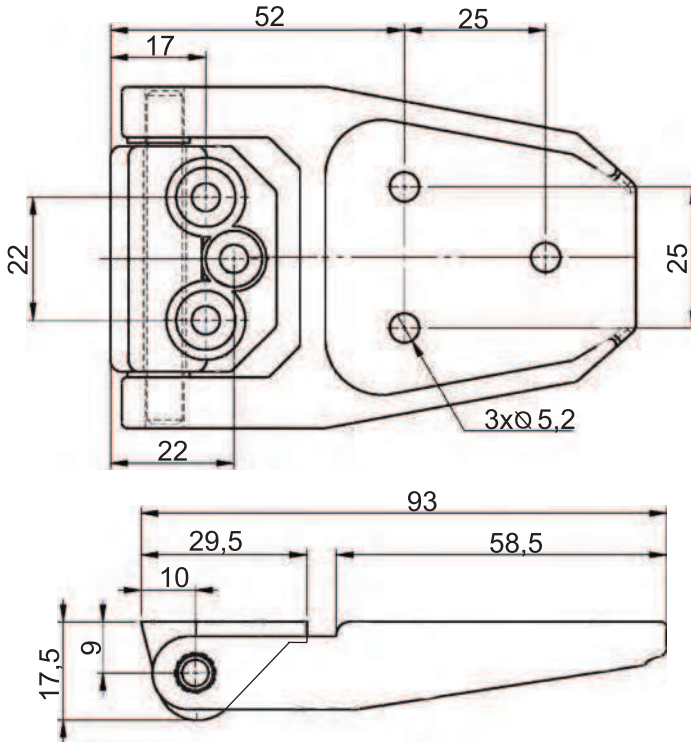
CATALOGUE NUMBER	HINGE	FINISH [X]	
	3.517.003.X	3.517.003.X	1
		2	Nickel
CATALOGUE NUMBER	COMPONENTS	MATERIAL	
3.517.003.X	Holder, Base	ZAMAK 5	
	Pin	Steel zinc plated	

NEW


CATALOGUE NUMBER	VERSION [X]	where:	
3.518.001.X	L	L - left version	
	P.	P - right version	
CATALOGUE NUMBER	FINISH	COMPONENTS	MATERIAL
3.518.001	RAL 9005	Holder, Base	ZAMAK 5
		Pin	Steel zinc plated

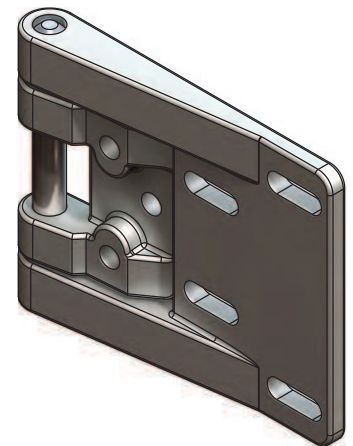
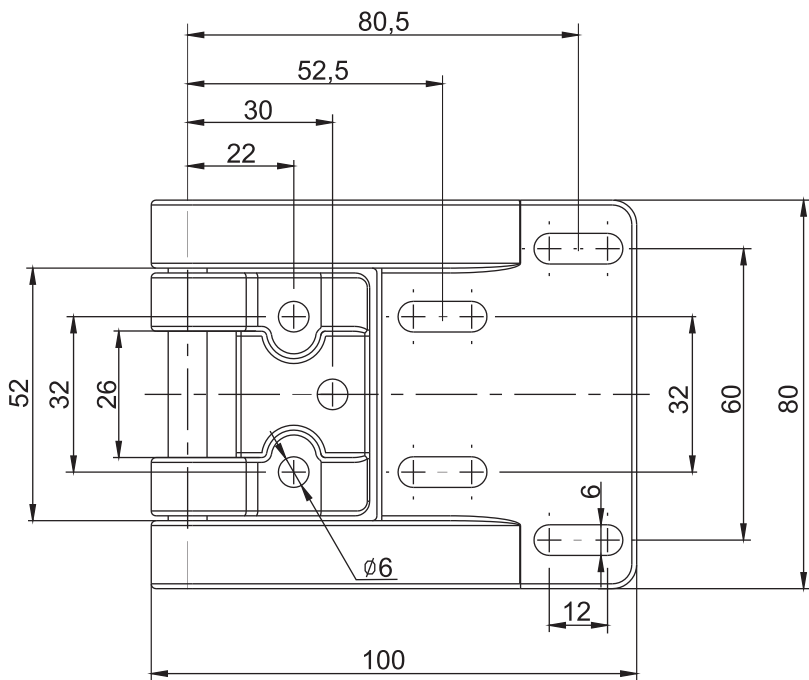
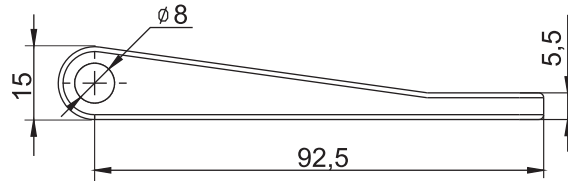
NEW


CATALOGUE NUMBER	VERSION [X]	where:	
3.518.002.X	L	L - left version	
	P.	P - right version	
CATALOGUE NUMBER	FINISH	COMPONENTS	MATERIAL
3.518.002	RAL 9005	Holder, Base	ZAMAK 5
		Pin	Steel zinc plated



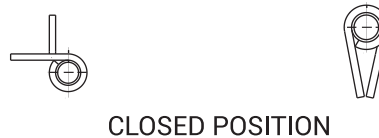
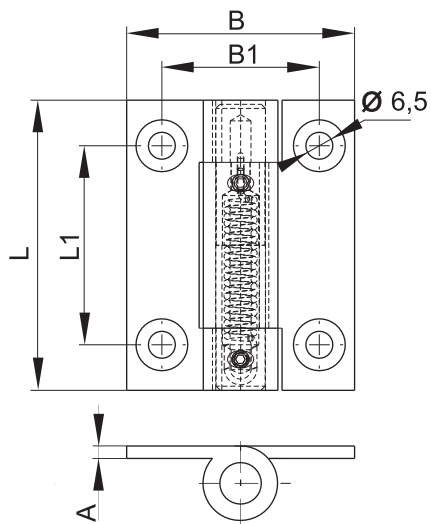
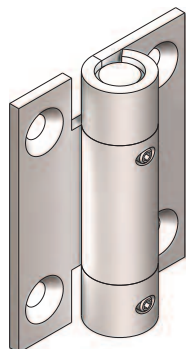
CATALOGUE NUMBER	FINISH	COMPONENTS	MATERIAL
3.534.001	RAL 9005	Holder, Base	Polyamide
		Pin	Polyamide

HINGES
3A



CATALOGUE NUMBER	FINISH	COMPONENTS	MATERIAL
3.ZN156.001	RAL 9005,7035 Chrome	Holder, Base	ZAMAK 5
		Pin	Steel zinc plated

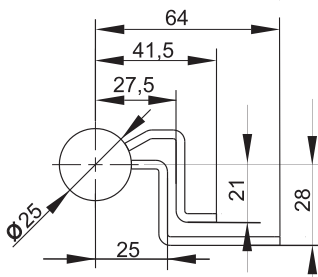
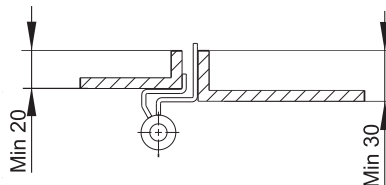
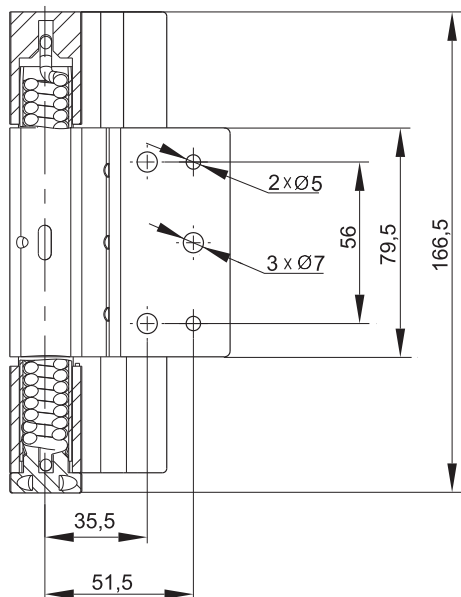
When ordering, specify the color or finishing type

NEW


HINGE	X	A	L	L1	B	B1
3.ST108.001.0X	1	3	70	48	55	38
	2	3	80	60	65	45
	3	3	60	36	76	56
CATALOGUE NUMBER		COMPONENTS			MATERIAL	
3.ST108.001		Holder, Base			Steel zinc plated	
		Pin			Steel zinc plated	

HINGES

3A

NEW


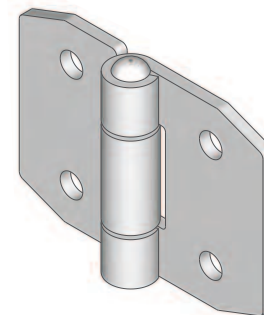
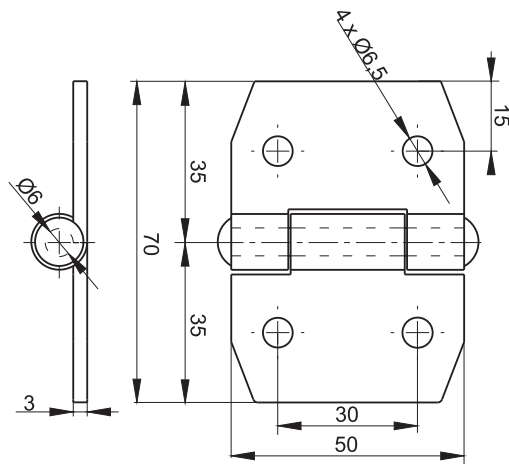
CATALOGUE NUMBER	VERSION [X]
3.ST109.001-X	A
	B

where:

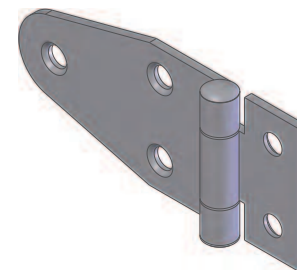
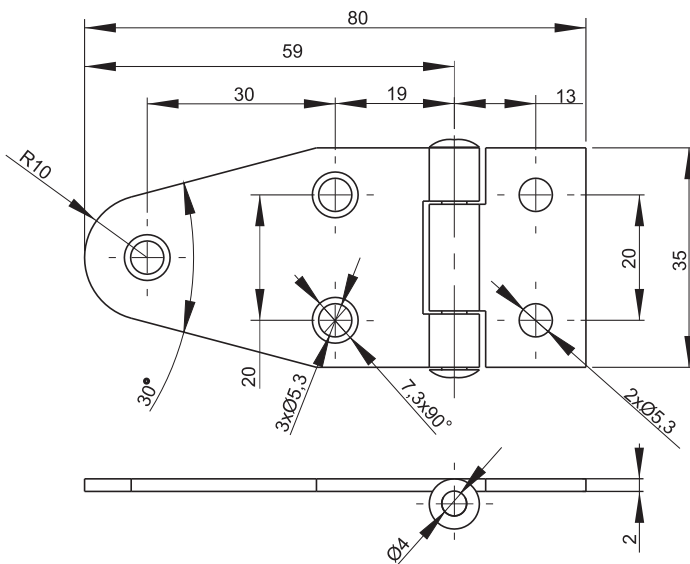
A - A spring hinge provided with a spring causing self-closing door

B - hinge bearing - without spring

CATALOGUE NUMBER	COMPONENTS	MATERIAL
3.ST109.001	Holder, Base	Steel zinc plated
	Pin	Steel zinc plated



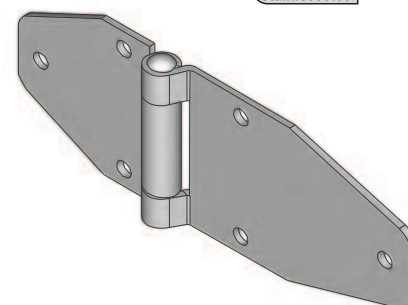
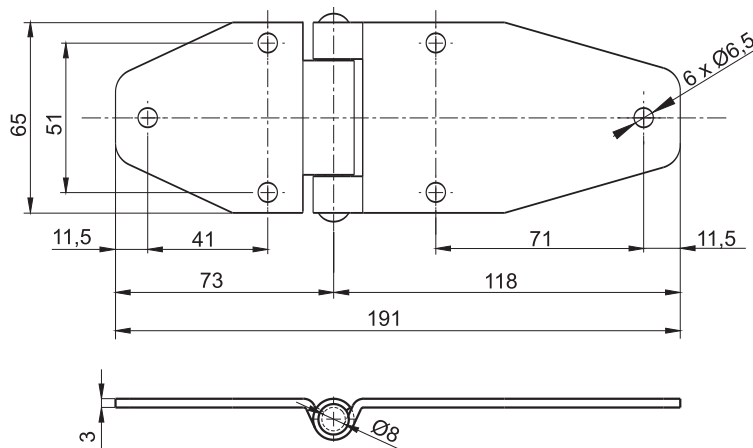
CATALOGUE NUMBER	COMPONENTS	MATERIAL
3.ST30.001	Holder, Base, Pin	Steel zinc plated
3.ST30.001SN	Holder, Base, Pin	Steel zinc plated



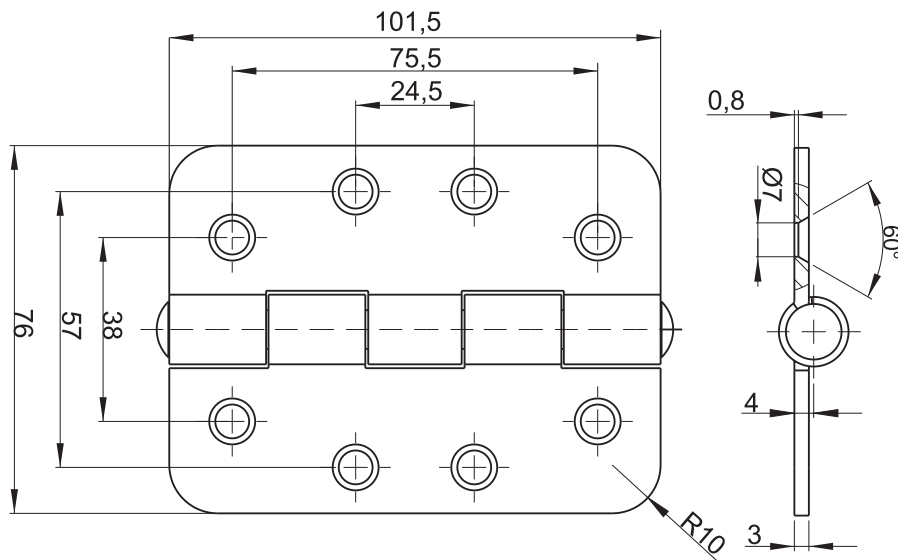
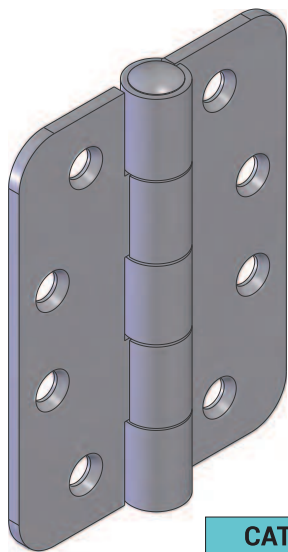
HINGES

3A

CATALOGUE NUMBER	COMPONENTS	MATERIAL
3.ST35-1.001	Holder, Base, Pin	Steel zinc plated
3.ST35-1.001SN	Holder, Base, Pin	Stainless steel



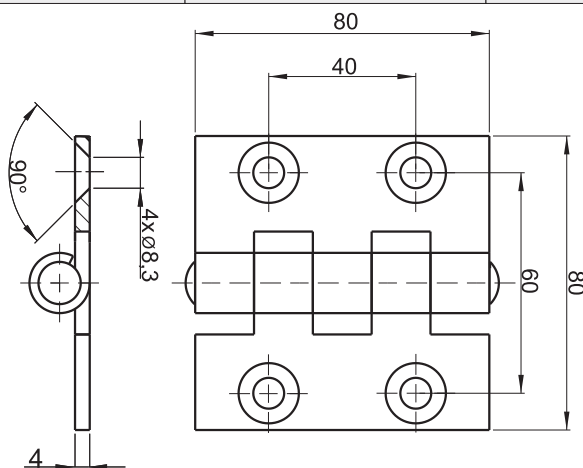
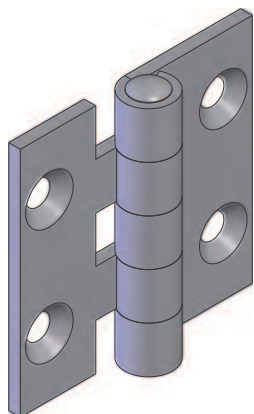
CATALOGUE NUMBER	COMPONENTS	MATERIAL
3.ST35.001	Holder, Base, Pin	Steel zinc plated
	Holder, Base, Pin	Stainless steel



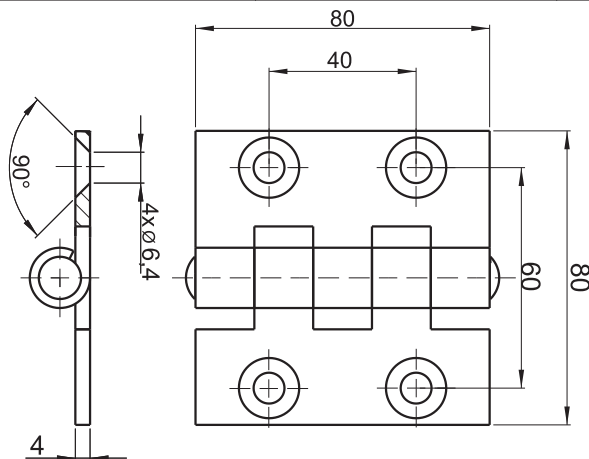
CATALOGUE NUMBER	COMPONENTS	MATERIAL
3.ST35-2.002	Holder, Base	Stainless steel
	Pin	Stainless steel

HINGES

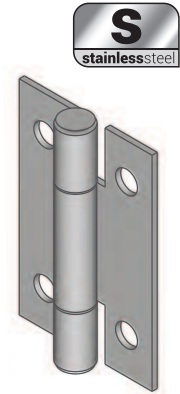
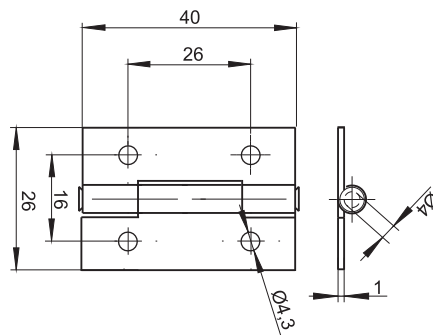
3A



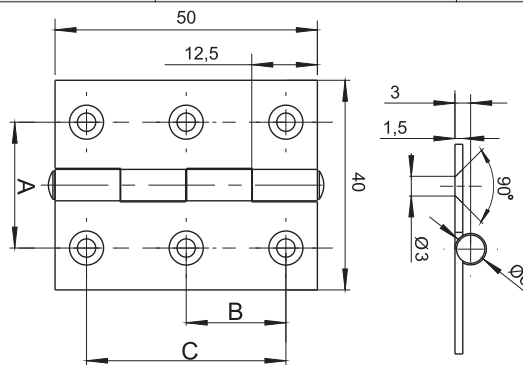
CATALOGUE NUMBER	COMPONENTS	MATERIAL
3.ST58.001	Holder, Base	Steel zinc plated
	Pin	Stainless steel



CATALOGUE NUMBER	COMPONENTS	MATERIAL
3.ST58.002	Holder, Base	Steel zinc plated
	Pin	Stainless steel



CATALOGUE NUMBER	COMPONENTS	MATERIAL
3.ST37.001	Holder, Base, Pin	Steel zinc plated
3.ST37.001SN	Holder, Base, Pin	Stainless steel



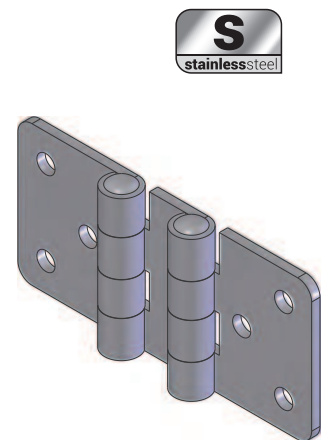
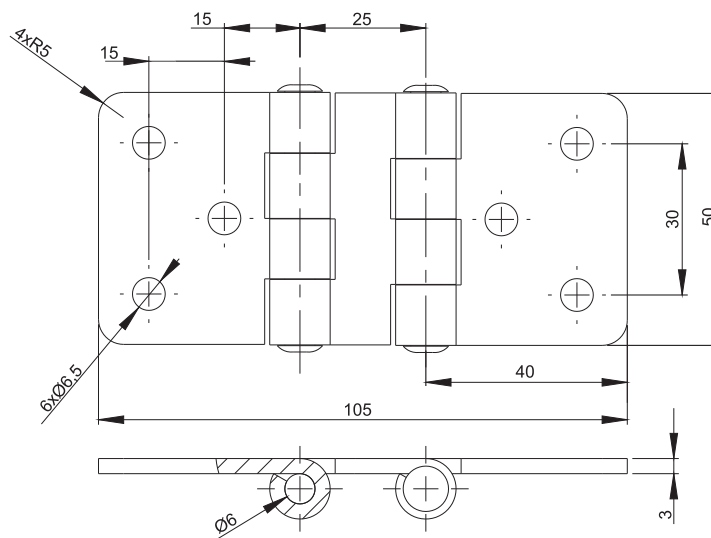
	X	A	B	C
3.ST48.00X	1	24	19	38
3.ST48.00X SN	2	23	17,5	35
	3*	23	17,5	35

where:
X - indication of the hinge

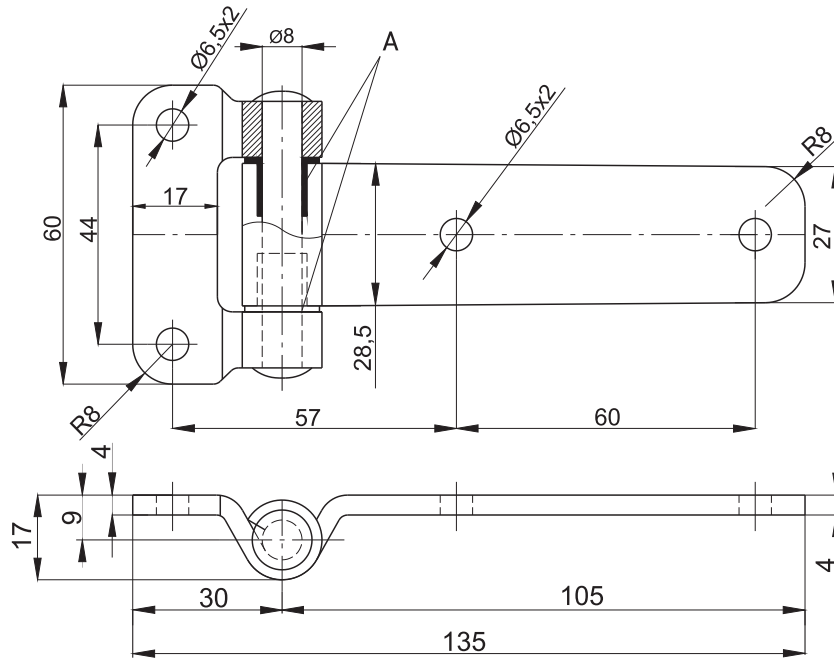
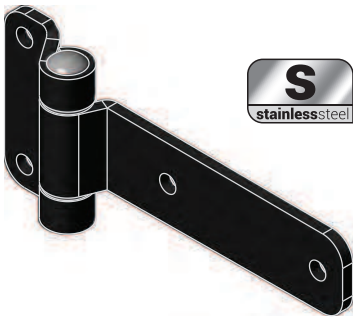
* -no chamfer on mounting holes

CATALOGUE NUMBER	FINISH	COMPONENTS	MATERIAL
3.ST48.00X	RAL 9005, 7035	Holder, Base, Pin	Steel zinc plated
3.ST48.00X SN	-	Holder, Base, Pin	Stainless steel

When ordering, specify the color or finishing type

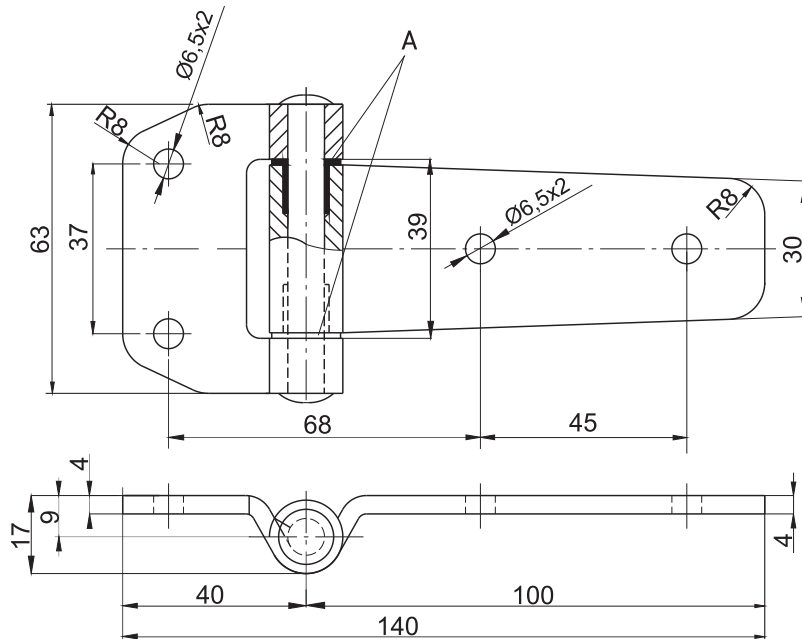
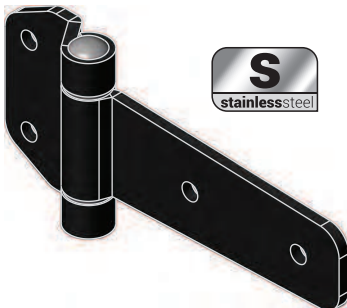


CATALOGUE NUMBER	COMPONENTS	MATERIAL
3.ST55.001	Holder, Base, Pin	Steel zinc plated
3.ST55.001SN	Holder, Base, Pin	Stainless steel



CATALOGUE NUMBER	FINISH	COMPONENTS	MATERIAL
3.ST56.001	RAL 9005	Holder, Base	Steel zinc plated
		Pin	Stainless steel

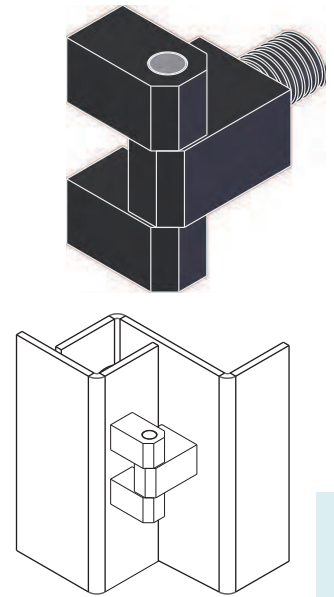
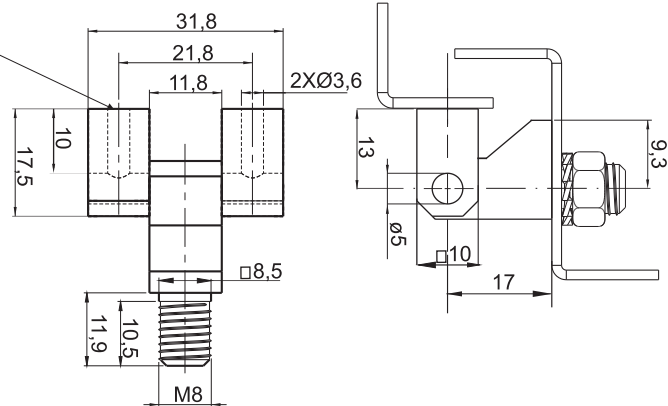
A - plastic washers



CATALOGUE NUMBER	FINISH	COMPONENTS	MATERIAL
3.ST56.100	RAL 9005	Holder, Base	Steel zinc plated
		Pin	Stainless steel

A - plastic washers

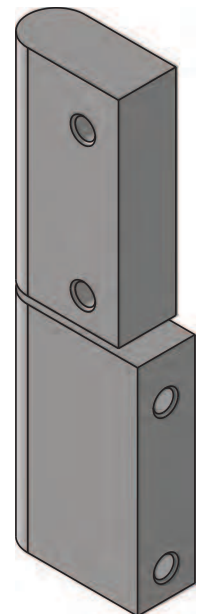
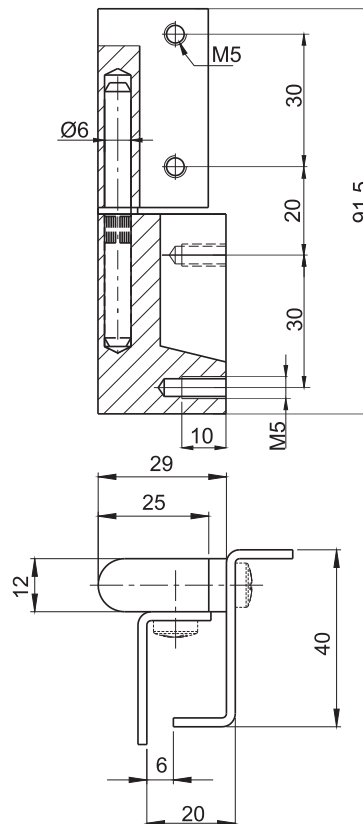
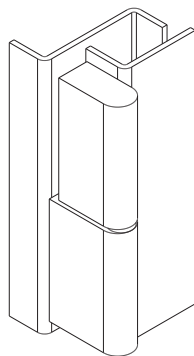
Screws M4
DIN 7516



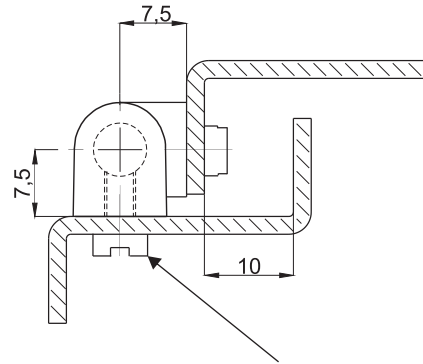
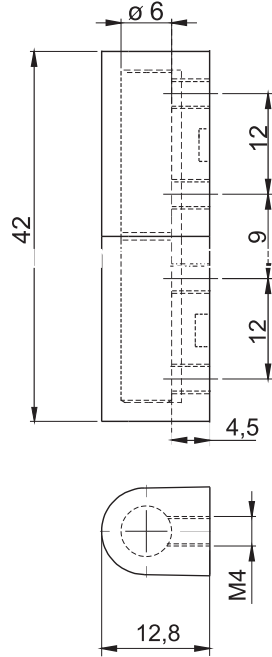
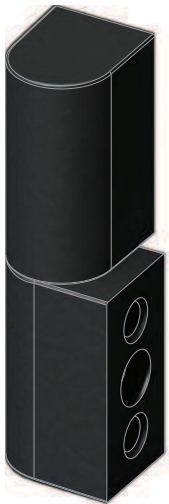
CATALOGUE NUMBER	FINISH	COMPONENTS	MATERIAL
3.ZN20.001	RAL 9005	Holder, Base	ZAMAK 5
		Pin	Steel zinc plated, *

HINGES

3A



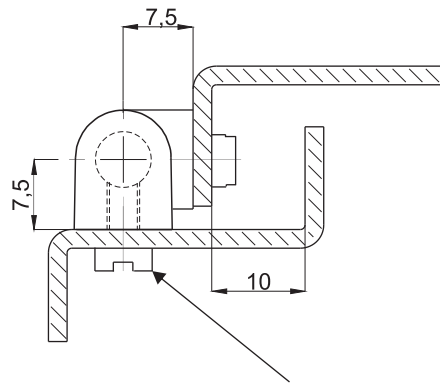
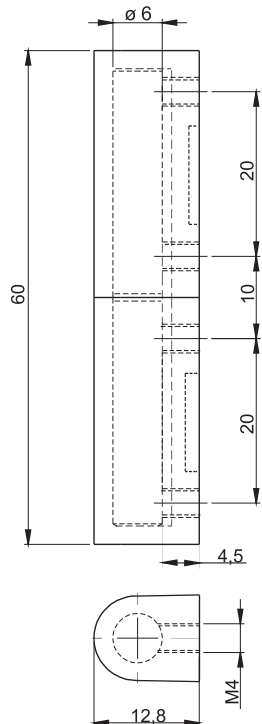
CATALOGUE NUMBER	FINISH	COMPONENTS	MATERIAL
3.ST49.001	RAL 9005	Holder, Base	ZAMAK 5
		Pin	Steel zinc plated



Screws M4 with cylindrical head
DIN 84, ISO1207 **

CATALOGUE NUMBER	FINISH	COMPONENTS	MATERIAL
3.ZN155.001	RAL 9005	Holder, Base	ZAMAK 5
		Pin	Steel zinc plated, *

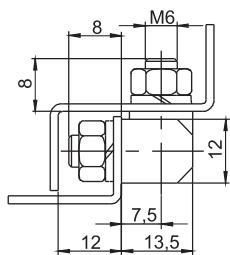
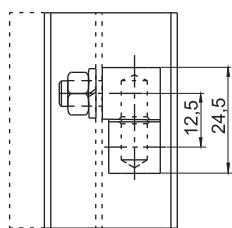
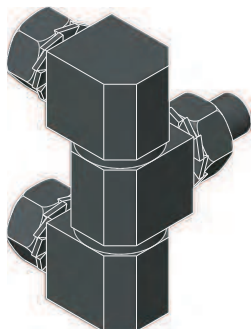
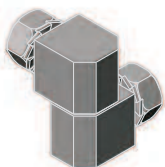
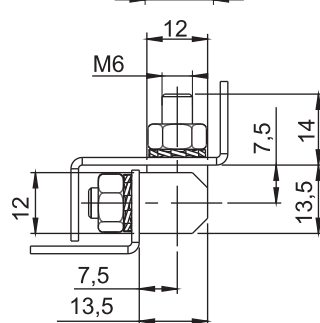
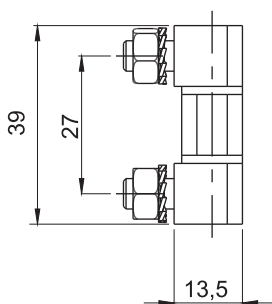
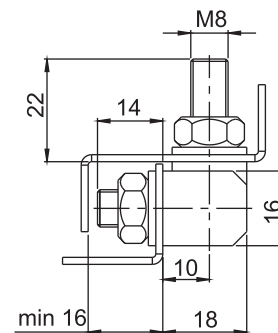
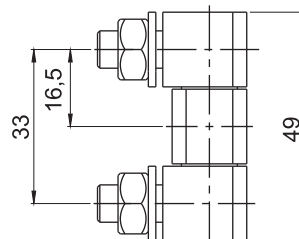
* possibility to order stainless steel pin.
**not included order



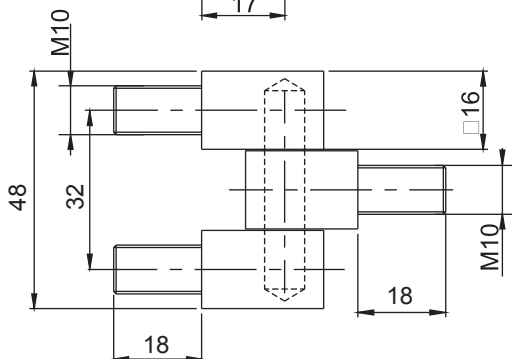
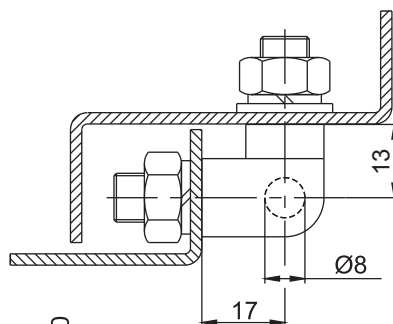
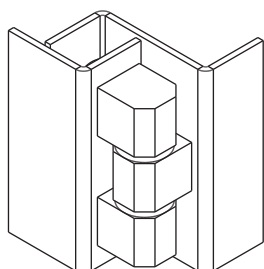
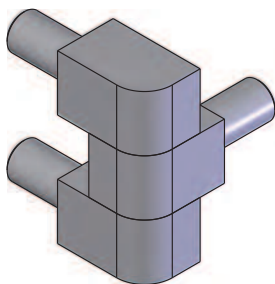
Screws M4 with cylindrical head
DIN 84, ISO1207 **

CATALOGUE NUMBER	FINISH	COMPONENTS	MATERIAL
3.ZN155.002	RAL 9005	Holder, Base	ZAMAK 5
		Pin	Steel zinc plated, *

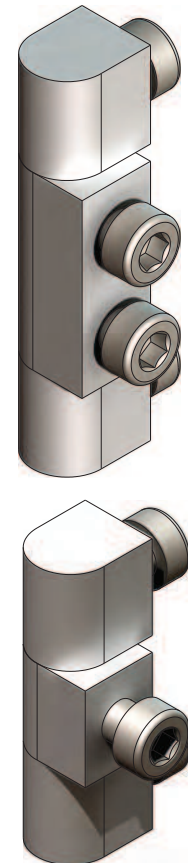
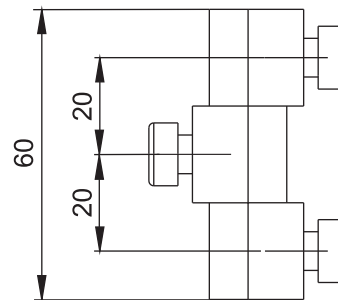
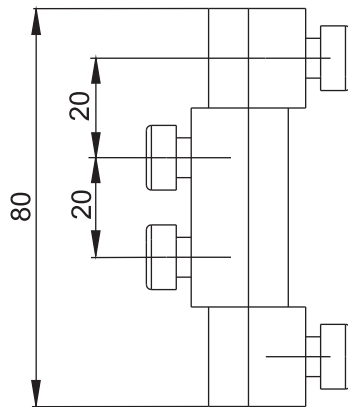
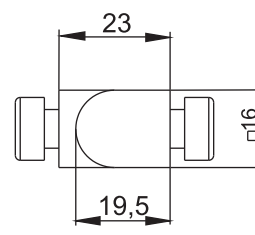
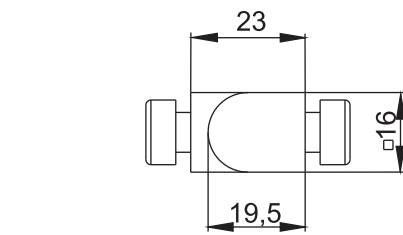
* possibility to order stainless steel pin.
**not included order


3.STZH2.001

3.STZH3.001

3.STZH3-1.001

CATALOGUE NUMBER	COMPONENTS	MATERIAL
3.STZH2.001 3.STZH3.001 3.STZH3-1.001	Holder, Base, Pin	Steel zinc plated
3.STZH2.001SN 3.STZH3.001SN 3.STZH3-1.001SN	Holder, Base, Pin	Stainless steel



CATALOGUE NUMBER	COMPONENTS	MATERIAL
3.ST73.001	Holder, Base, Pin	Steel zinc plated



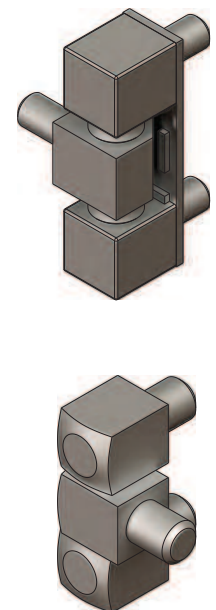
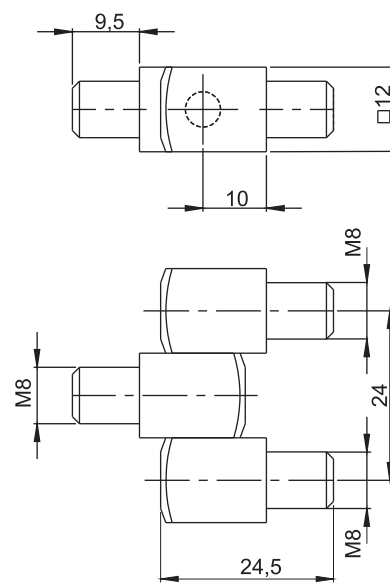
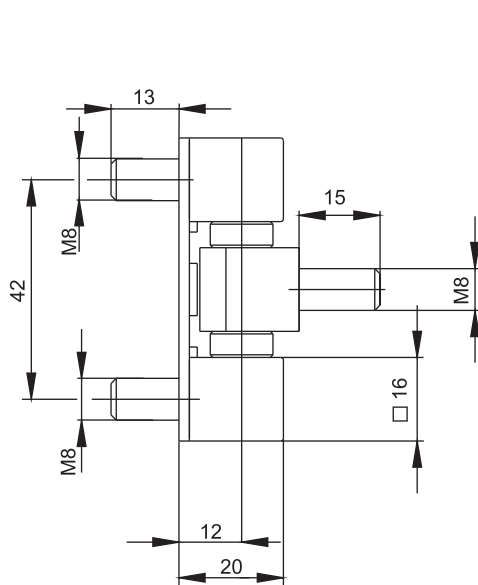
3.504.001

3.505.001

HINGES

3A

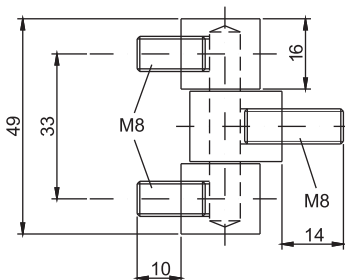
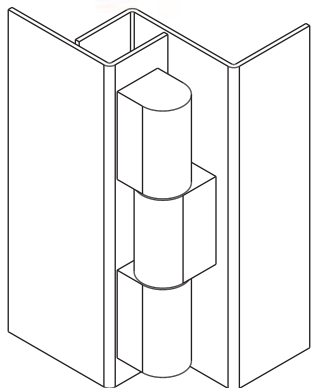
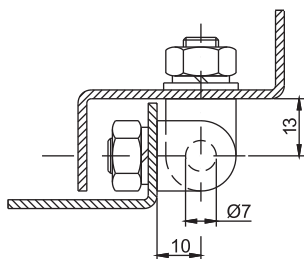
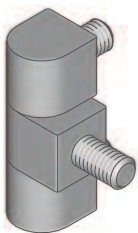
CATALOGUE NUMBER	FINISH	COMPONENTS	MATERIAL
3.504.001	Chrome	Holder, Base	Brass
3.505.001		Pin	Steel zinc plated



3.506.001

3.507.001

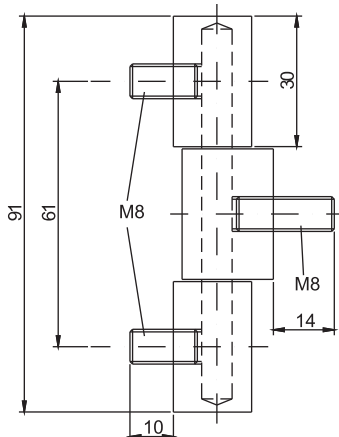
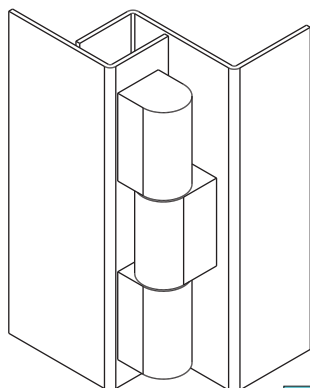
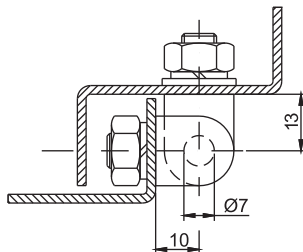
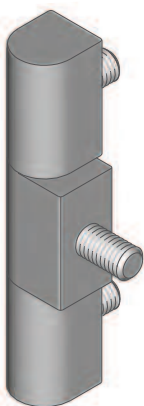
CATALOGUE NUMBER	FINISH	COMPONENTS	MATERIAL
3.506.001	Nickel	Holder, Base	Brass
3.507.001		Pin	Steel zinc plated



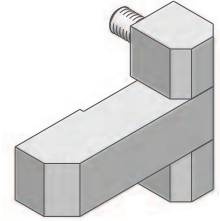
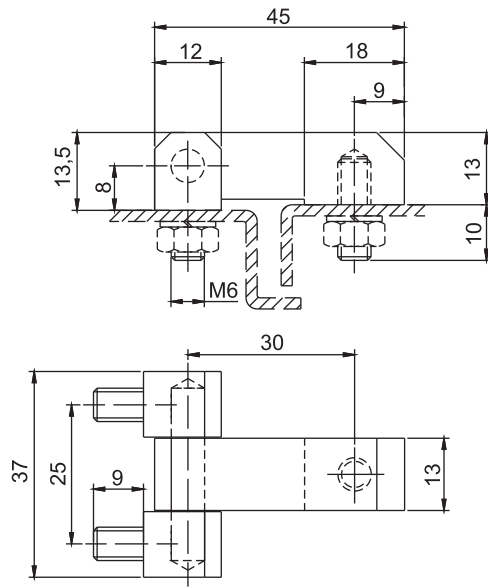
HINGES

3A

CATALOGUE NUMBER	COMPONENTS	MATERIAL
3.ST17.001	Holder, Base, Pin	Steel zinc plated
3.ST17.001SN	Holder, Base, Pin	Stainless steel



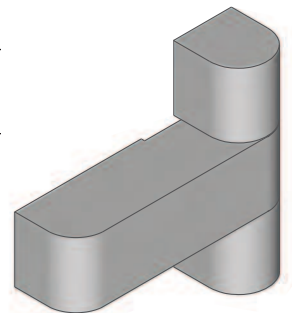
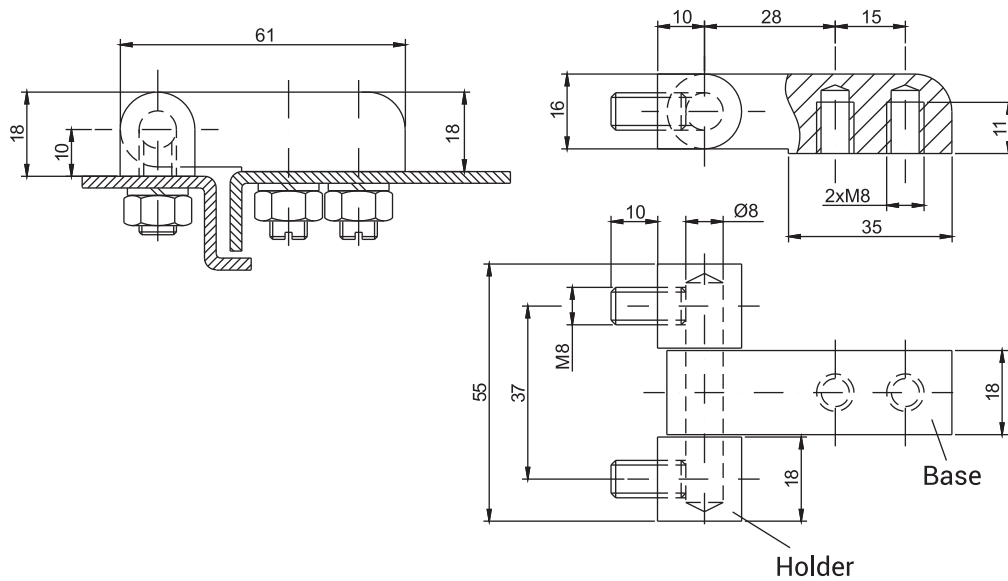
CATALOGUE NUMBER	COMPONENTS	MATERIAL
3.ST18.001	Holder, Base, Pin	Steel zinc plated
3.ST18.001SN	Holder, Base, Pin	Stainless steel



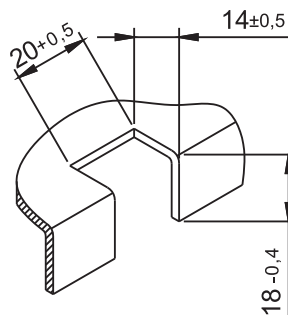
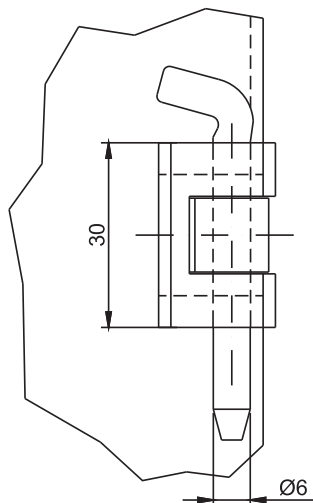
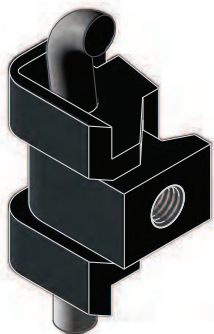
CATALOGUE NUMBER	COMPONENTS	MATERIAL
3.ST22.001	Holder, Base, Pin	Steel zinc plated
3.ST22.001SN	Holder, Base, Pin	Stainless steel

HINGES

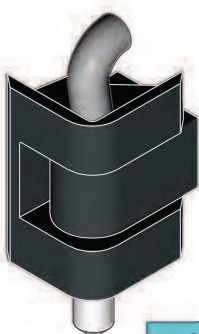
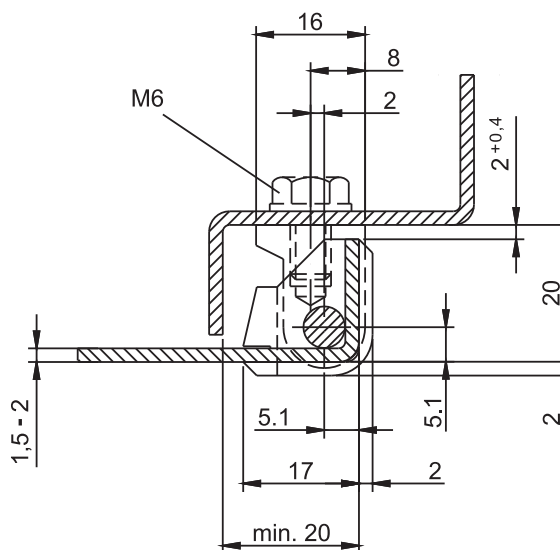
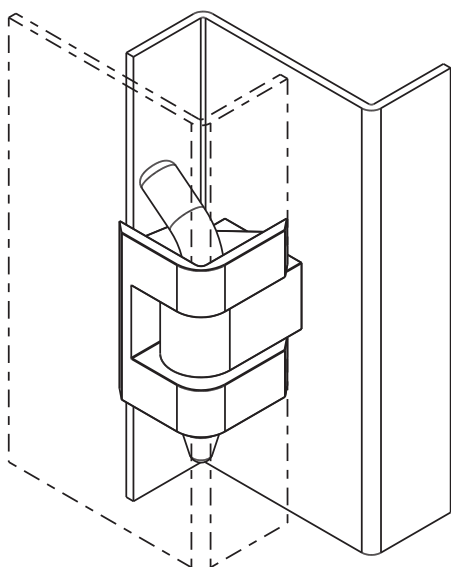
3A



CATALOGUE NUMBER	COMPONENTS	MATERIAL
3.ST21.001	Holder, Base, Pin	Steel zinc plated
3.ST21.001SN	Holder, Base, Pin	Stainless steel



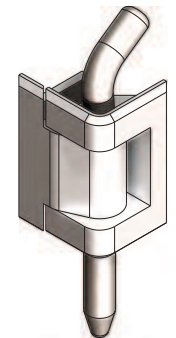
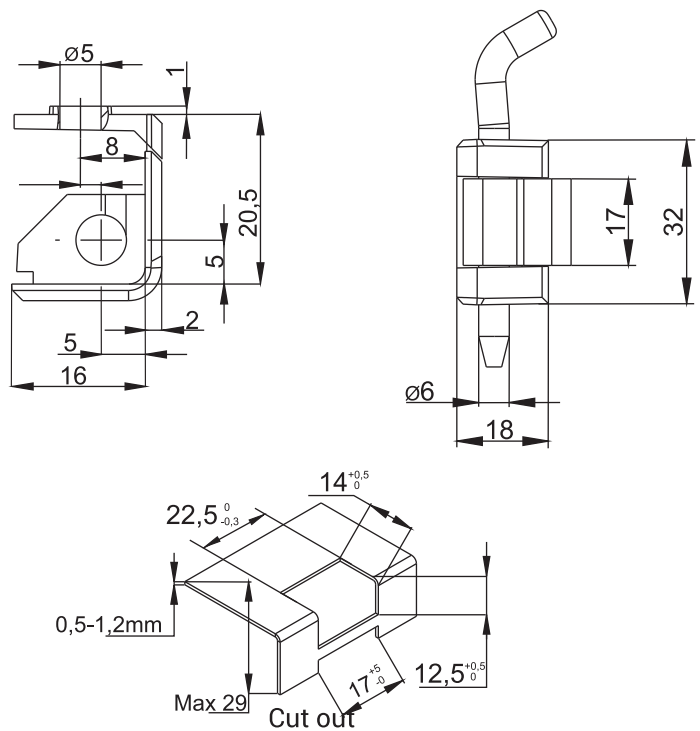
Mounting hole



CATALOGUE NUMBER	FINISH	COMPONENTS	MATERIAL
3.ZN70.001	RAL 9005, 7035, *	Holder, Base	ZAMAK 5
		Pin	Steel zinc plated
3.ZN70.002	-	Holder, Base, Pin	Stainless steel

* possibility to make a different color
 When ordering, specify the color or finishing type

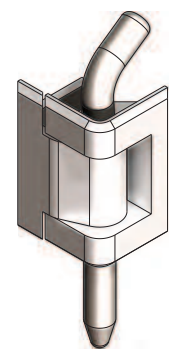
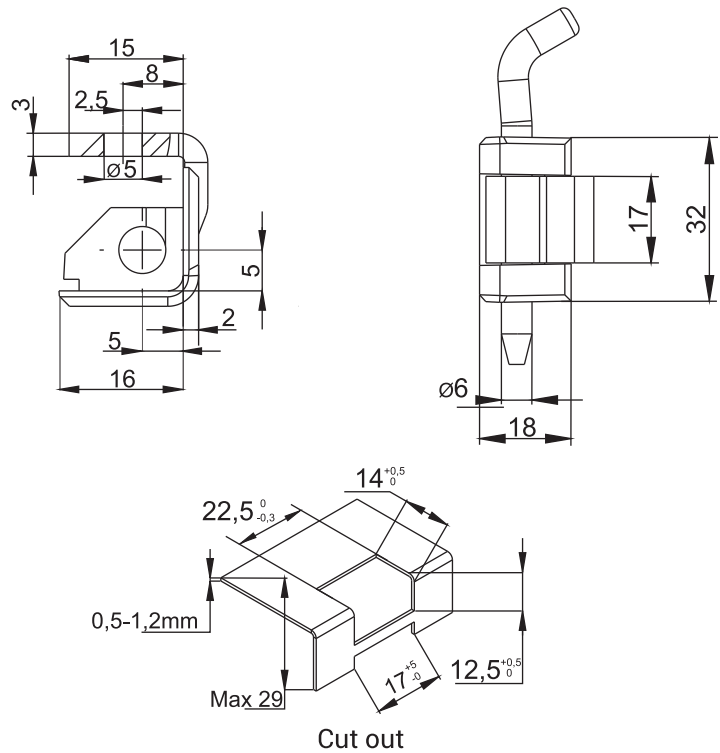
NEW



HINGES
3A

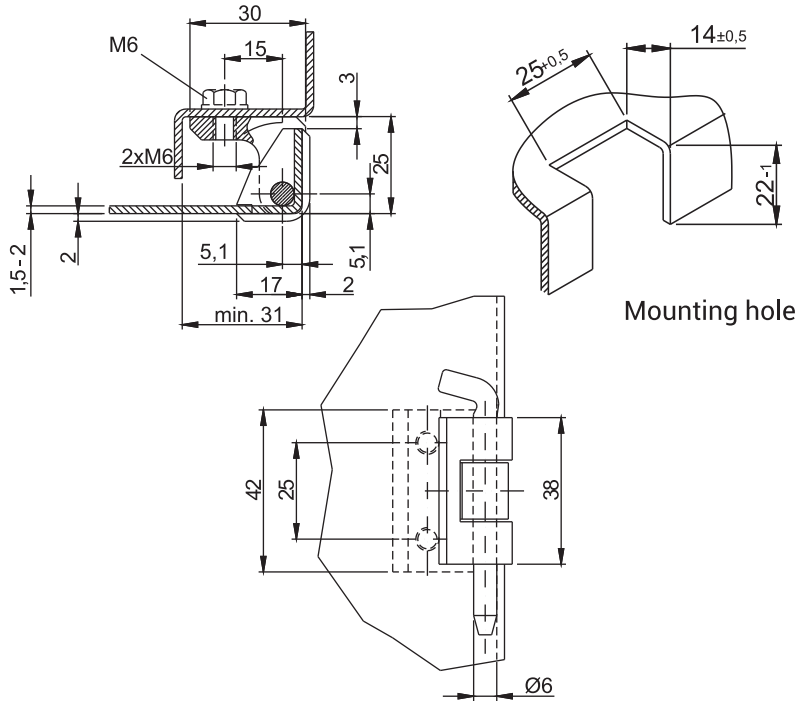
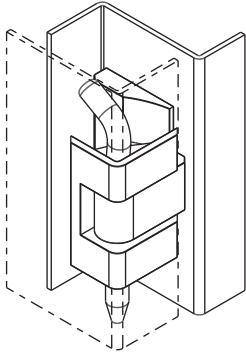
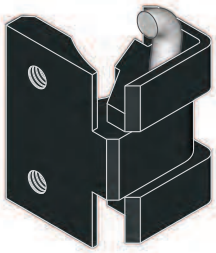
CATALOGUE NUMBER	FINISH	COMPONENTS	MATERIAL
3.ZN75.001	RAL 9005, 7035 Chrome	Holder	ZAMAK 5
		Base	ZAMAK 5

When ordering, specify the color or finishing type



CATALOGUE NUMBER	FINISH	COMPONENTS	MATERIAL
3.ZN75.003	RAL 9005, 7035 Chrome	Holder	Steel zinc plated
		Base	ZAMAK 5

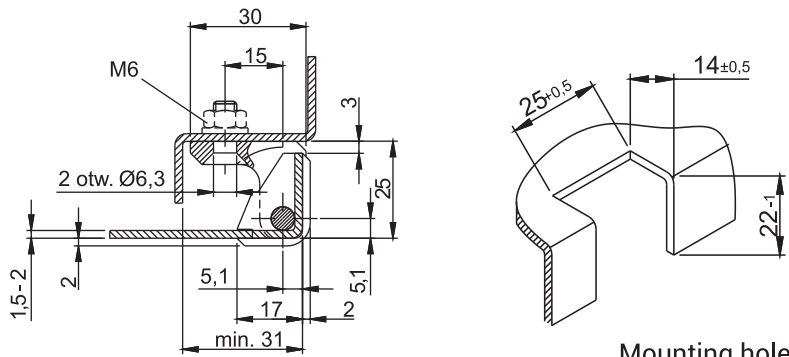
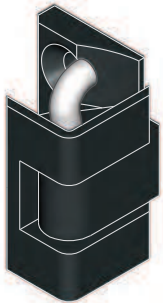
When ordering, specify the color or finishing type



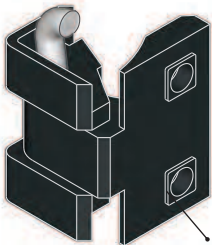
Mounting hole

CATALOGUE NUMBER	FINISH	COMPONENTS	MATERIAL
3.ZN80.001	RAL 9005, 7035, *	Holder, Base	ZAMAK 5
		Pin	Steel zinc plated

* possibility to make a different color
When ordering, specify the color or finishing type



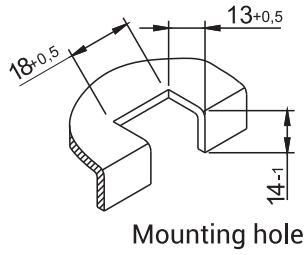
Mounting hole



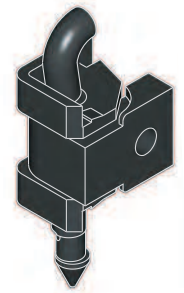
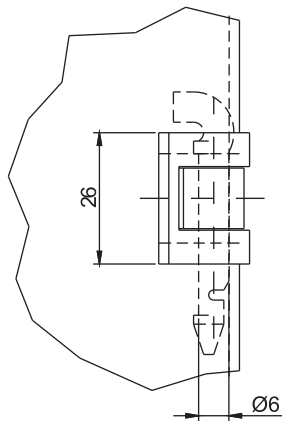
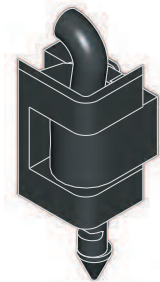
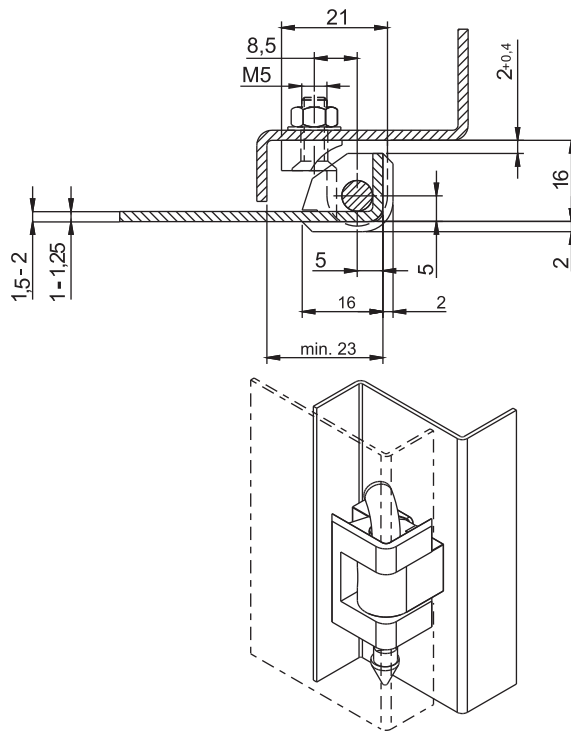
** - with weaning \square 8x1 mm

CATALOGUE NUMBER	FINISH	COMPONENTS	MATERIAL
3.ZN80.002	RAL 9005, 7035, *	Holder, Base	ZAMAK 5
		Pin	Steel zinc plated

* possibility to make a different color
** possibility to order the hinge with the basewith weaning
When ordering, specify the color or finishing type

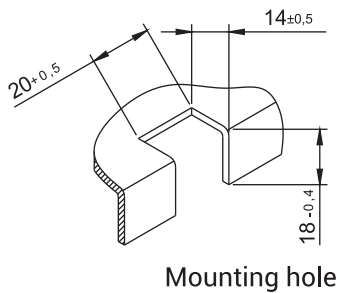
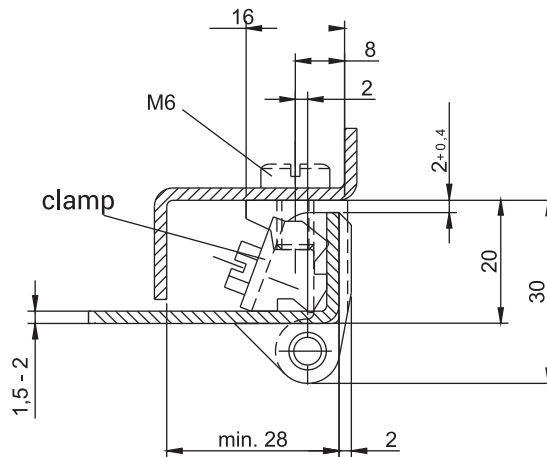
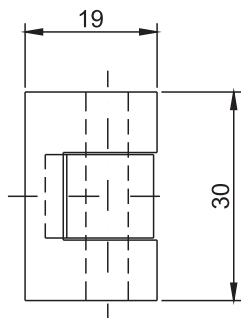


Mounting hole

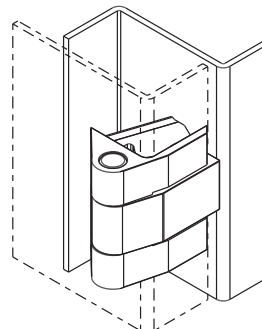


CATALOGUE NUMBER	FINISH	COMPONENTS	MATERIAL
3.ZN90.001	RAL 9005, 7035	Holder, Base, Pin	Polyamide

When ordering, specify the color or finishing type

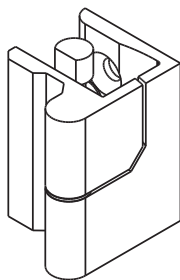
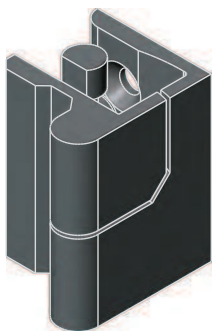
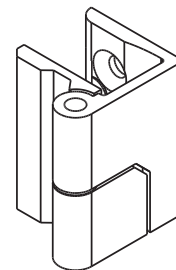
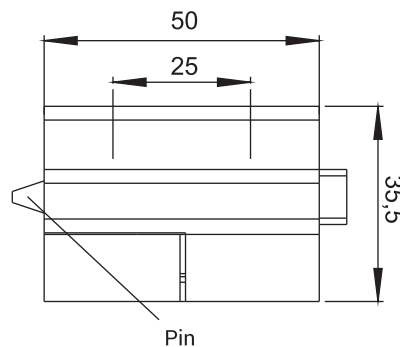
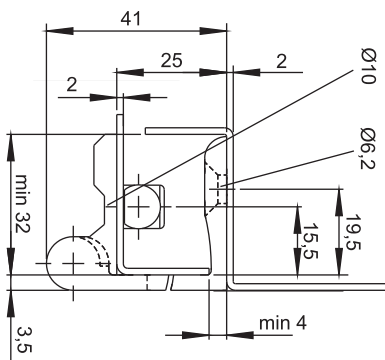
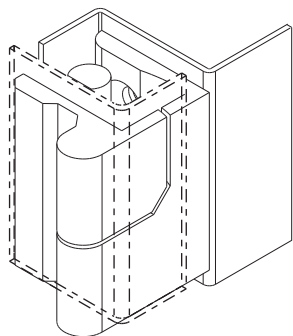


Mounting hole

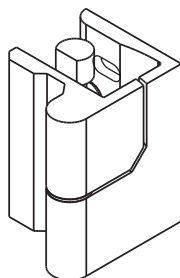
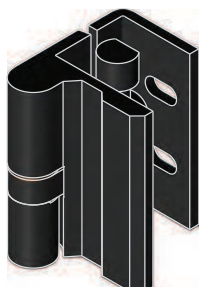
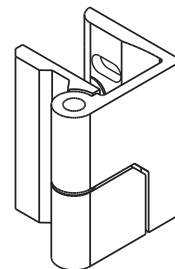
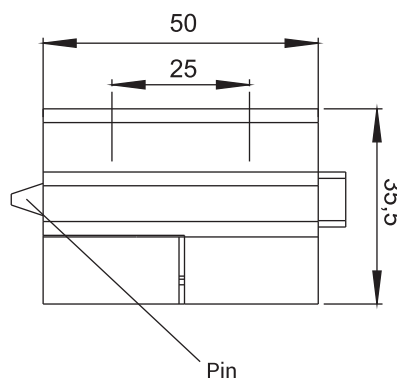
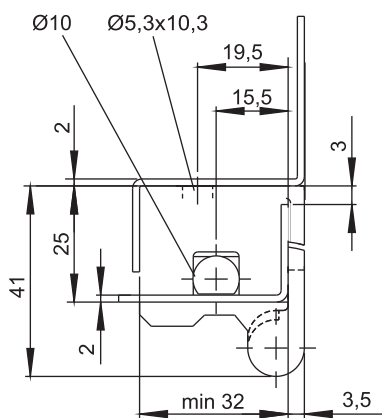


CATALOGUE NUMBER	FINISH	COMPONENTS	MATERIAL
3.ZN100.001	RAL 9005, 7035, *	Holder, Base	ZAMAK 5
		Close tight element, Pin	Steel zinc plated

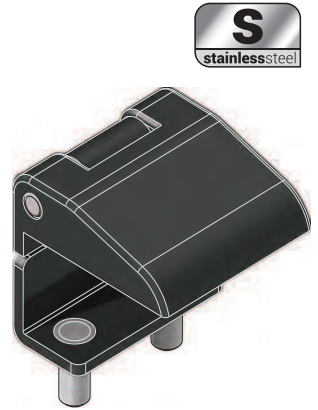
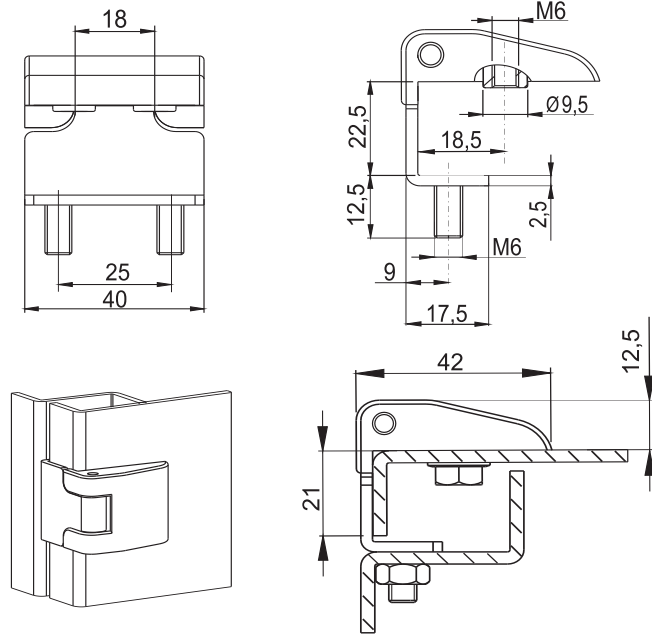
* possibility to make a different color
When ordering, specify the color or finishing type


RIGHT VERSION

LEFT VERSION


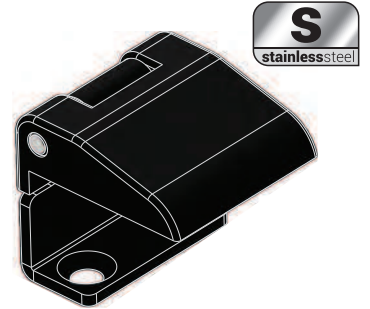
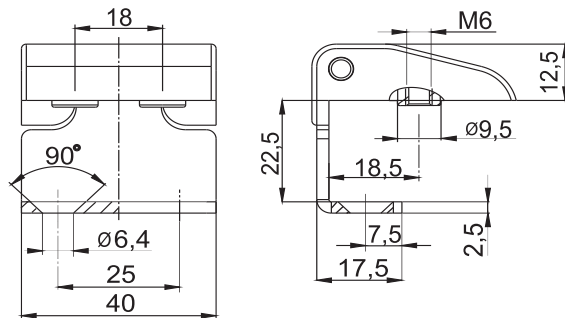
CATALOGUE NUMBER	FINISH	COMPONENTS	MATERIAL
3.ZN150.001	RAL 9005	Holder	ZAMAK 5
3.ZN150.002		Base	Aluminum
		Pin, Screw	Steel zinc plated


RIGHT VERSION

LEFT VERSION


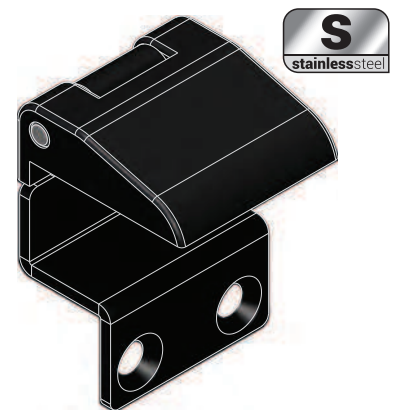
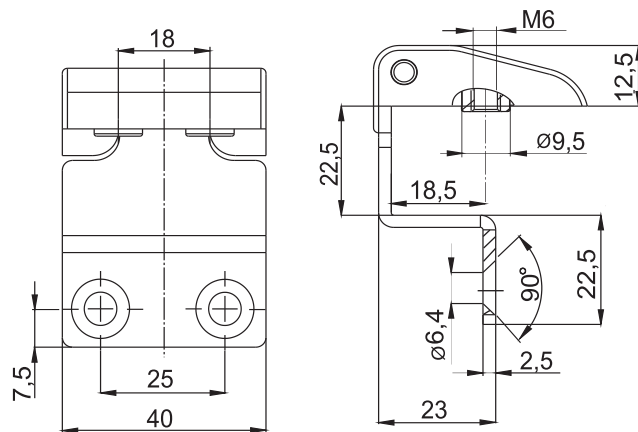
CATALOGUE NUMBER	FINISH	COMPONENTS	MATERIAL
3.ZN150.005	RAL 9005	Holder	ZAMAK 5
3.ZN150.006		Base, Pin	Steel zinc plated, *



CATALOGUE NUMBER	FINISH	COMPONENTS	MATERIAL
3.ZN154.001	RAL 9005	Holder	ZAMAK 5
		Base	Steel zinc plated
		Pin	Stainless steel

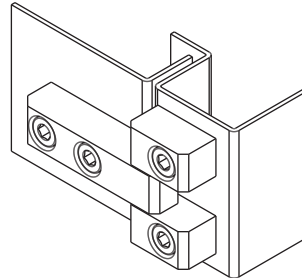
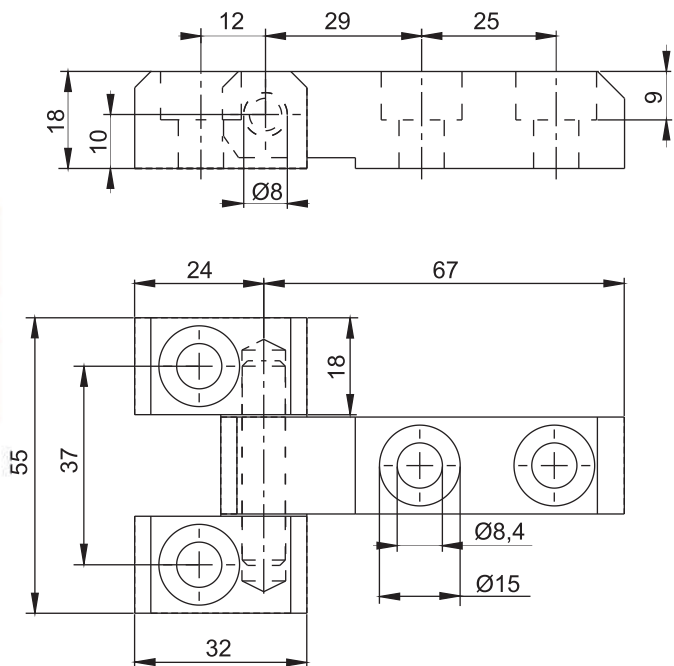
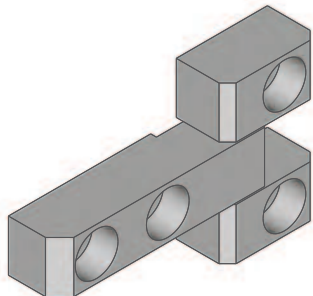


CATALOGUE NUMBER	FINISH	COMPONENTS	MATERIAL
3.ZN154.002	RAL 9005	Holder	ZAMAK 5
		Base	Steel zinc plated
		Pin	Stainless steel



CATALOGUE NUMBER	FINISH	COMPONENTS	MATERIAL
3.ZN154.003	RAL 9005, 7035, *	Holder	ZAMAK 5
		Base	Steel zinc plated
		Pin	Stainless steel

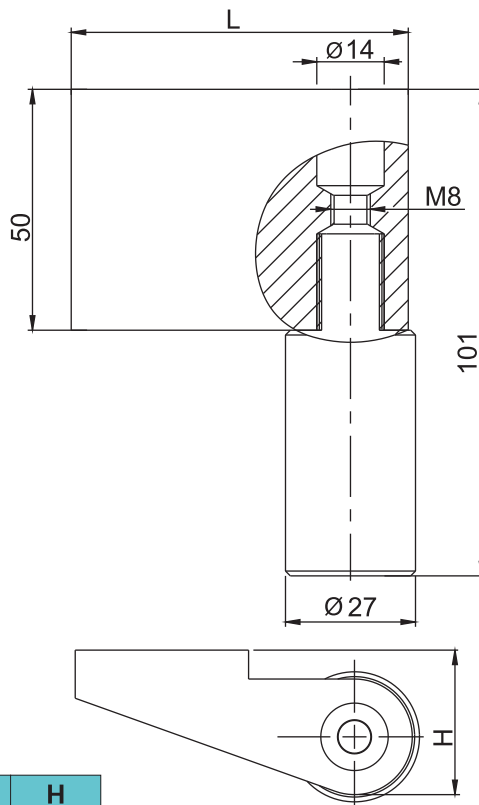
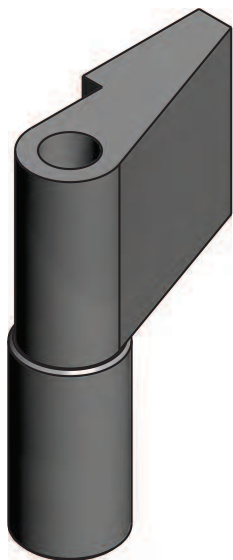
When ordering, specify the color or finishing type



HINGES

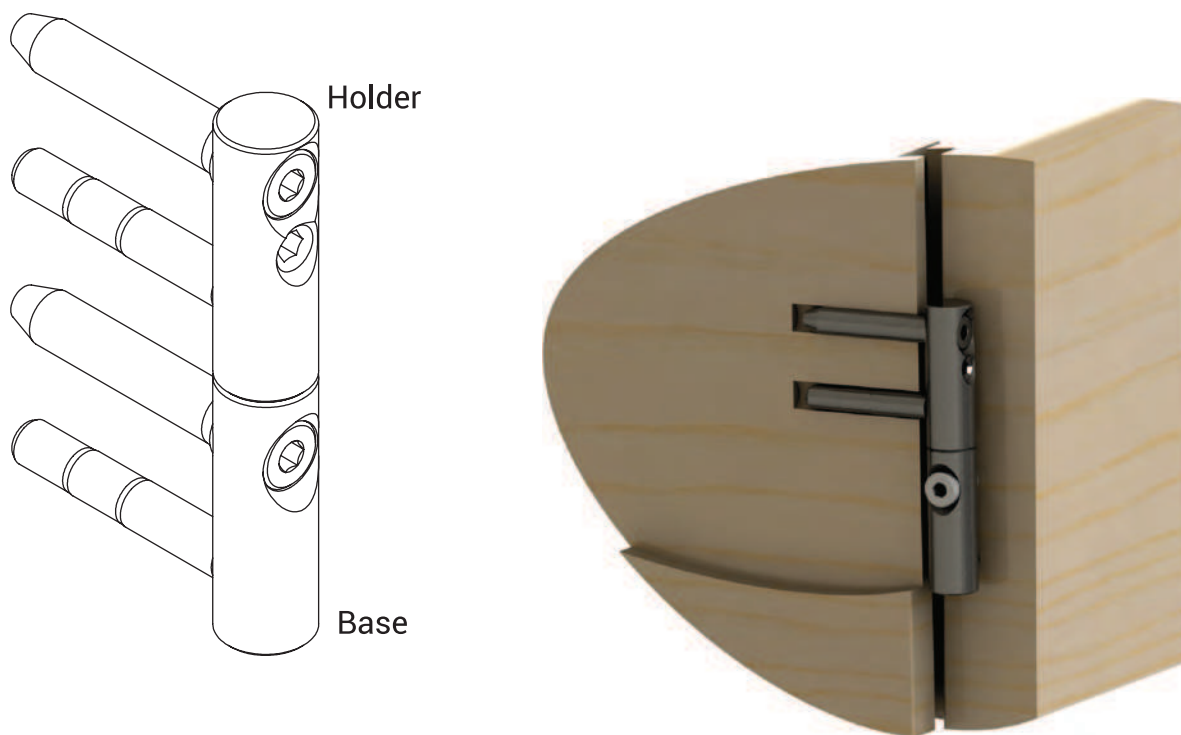
3A

CATALOGUE NUMBER	COMPONENTS	MATERIAL
3.ST29.001	Holder, Base	Steel zinc plated
3.ST29.001SN	Holder, Base	Stainless steel

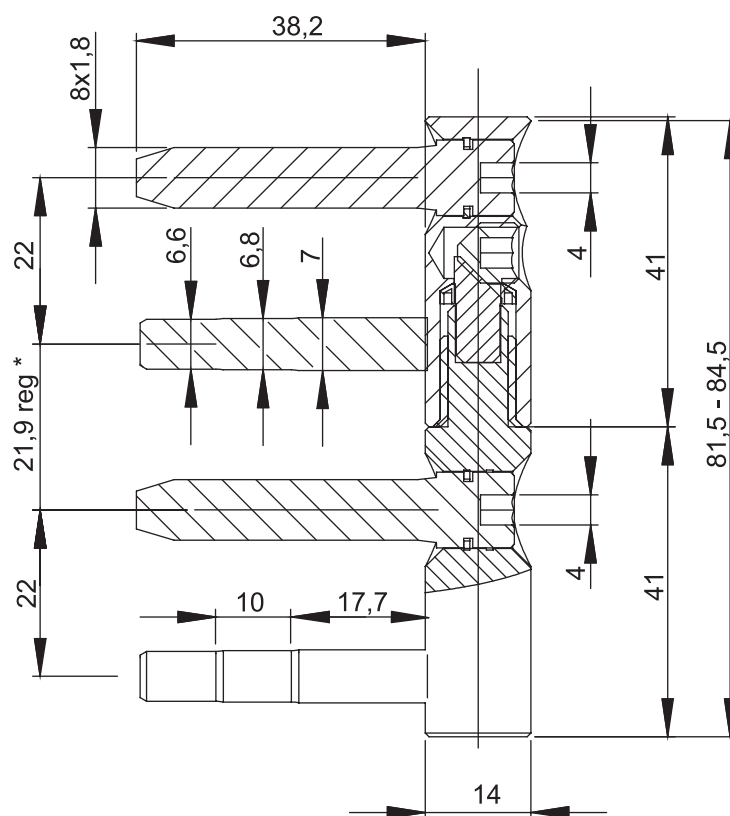


Hinge	X	L	H
3.ST102.00X	1	70	30
	2	90	30

CATALOGUE NUMBER	COMPONENTS	MATERIAL
3.ST102.00X	Fin	Steel
	Pin	Steel



HINGES
3A



CAT. NUMBER	COMPONENTS	MATERIAL
3.STM1.001	Base	Steel zinc plated
	Holder	Steel zinc plated

* height adjustment of the hinge holder use to 3 mm



HINGES
3A

X-ON Electronics

Largest Supplier of Electrical and Electronic Components

Click to view similar products for [Mounting Fixings](#) category:

Click to view products by [Roztocze](#) manufacturer:

Other Similar products are found below :

[5912235-1 REV](#) - [71-215091-8S](#) [71-344699-4S](#) [75-69211-3P](#) [75-69214-6P](#) [75-69224-28P](#) [75-69232-17S](#) [7717-8DAP](#) [85043GULPR](#)
[85048GBESR](#) [PMS27488-001-01](#) [1-18023-0](#) [H-118-2](#) [1301790551](#) [1302263564](#) [BR16A](#) [NT20SATT01](#) [22594-8](#) [89078GBESR](#)
[9150700000](#) [SF4011-60101](#) [1671](#) [1855-54](#) [1996901-1](#) [2079844-1](#) [2193](#) [2518](#) [H-118-1](#) [BACC47CN2S](#) [LF9Z-1SB22](#) [WMLX-109](#)
[ELXA051G1](#) [2547](#) [1453315-11](#) [71-452350-8S](#) [71-572965-8S](#) [75-69214-7J](#) [75-69224-28G](#) [75-69811-3S](#) [H373247-15](#) [81517301](#) [P954-1](#)
[860099-1](#) [1189-90](#) [1106352-2](#) [M39014/01-1570](#) [30809-700](#) [6024](#) [197-007](#) [BRKT-ND](#)