



1

Locking systems

2

Locks
Latches



3

External hinges

4

Clamps



5

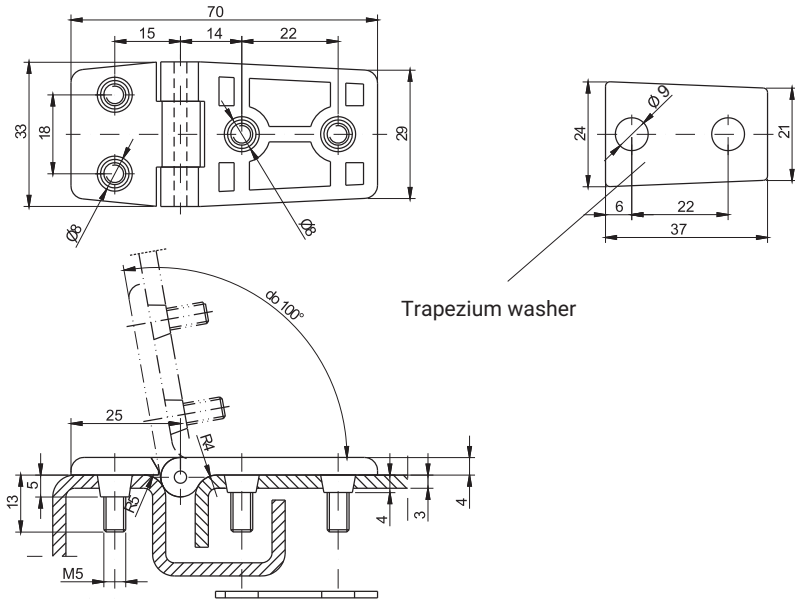
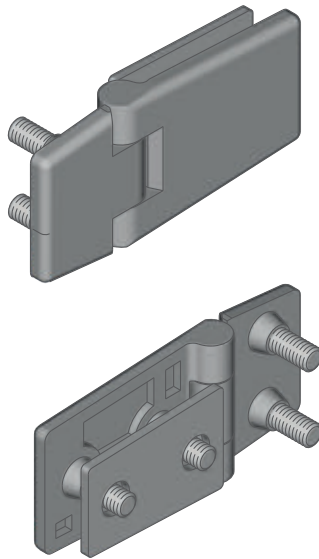
Accessories

6

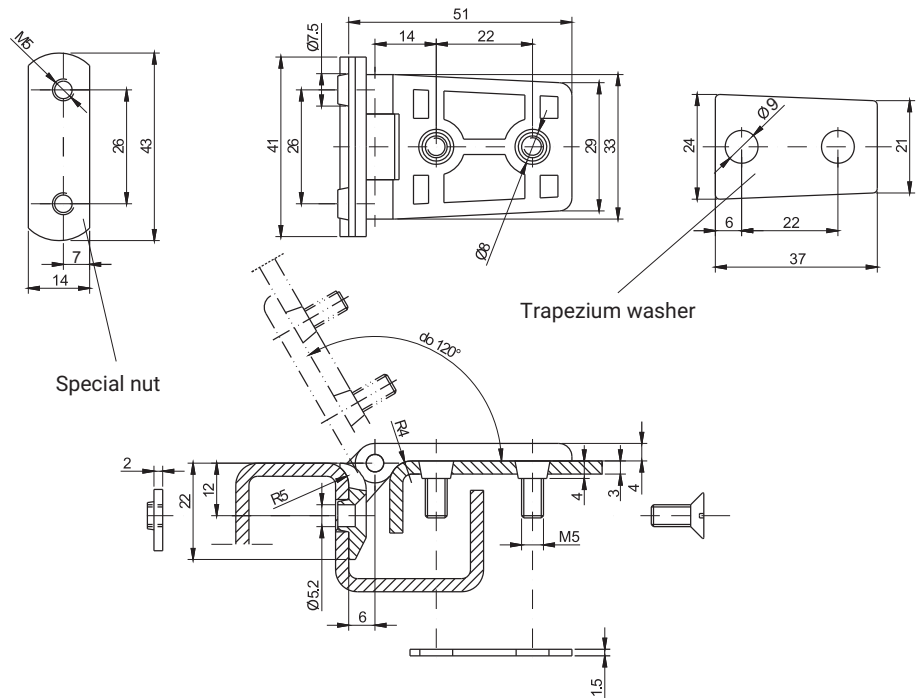
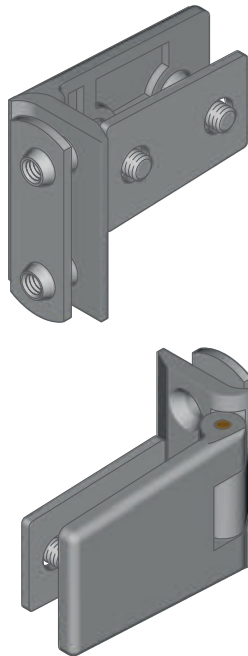
Gasketing profiles

7

Custom products



| CATALOGUE NUMBER | COMPONENTS | MATERIAL | FINISH [C] | |
|------------------|--------------|-------------------|------------|----------|
| | | | RAL 9005 | RAL 7035 |
| 3.ZN1.001 | Holder, Base | ZAMAK 5 | | |
| | Pin | Brass | 04 | 05 |
| | Washer, nut | Steel zinc plated | | |

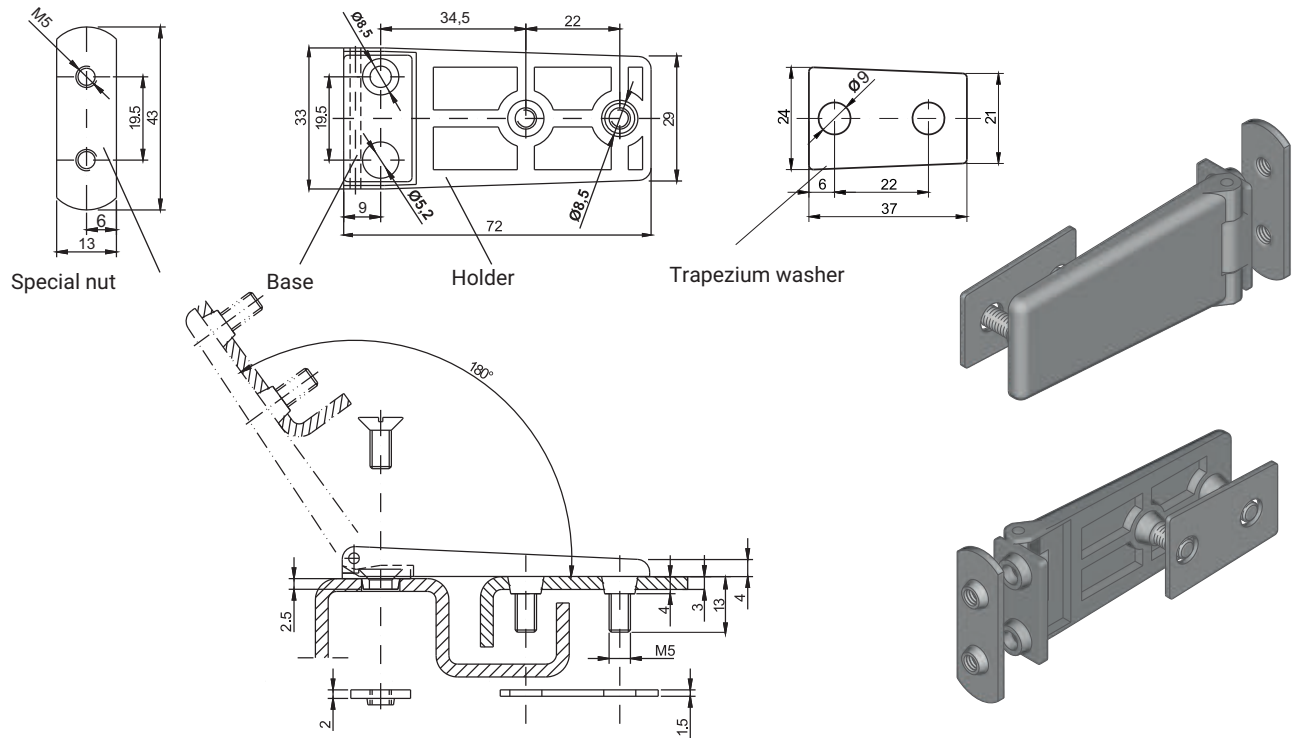


| CATALOGUE NUMBER | COMPONENTS | MATERIAL | FINISH [C] | |
|------------------|--------------|-------------------|------------|----------|
| | | | RAL 9005 | RAL 7035 |
| 3.ZN2.001 | Holder, Base | ZAMAK 5 | | |
| | Pin | Brass | 04 | 05 |
| | Washer, nut | Steel zinc plated | | |

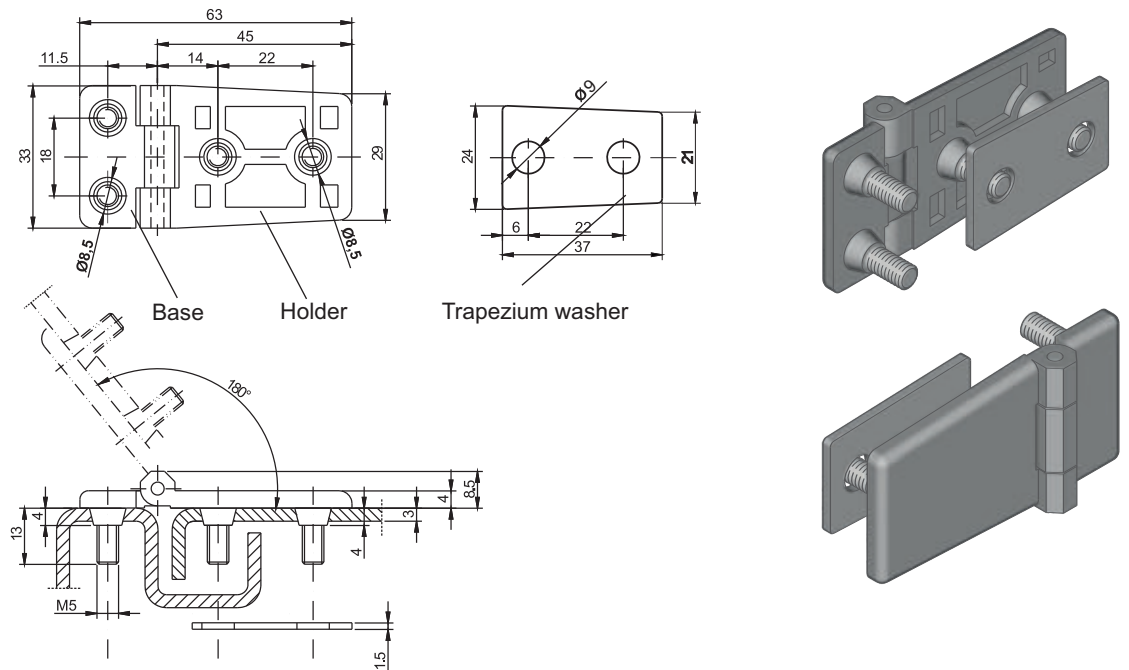
How to order:

Catalogue number
Finish

3.ZN1.001 — C



| CATALOGUE NUMBER | COMPONENTS | MATERIAL | FINISH [C] | |
|------------------|---------------|-------------------|------------|----------|
| | | | RAL 9005 | RAL 7035 |
| 3.ZN3.001 | Holder, Base, | ZAMAK 5 | 04 | 05 |
| | Pin | Brass | | |
| | Washer, nut | Steel zinc plated | | |



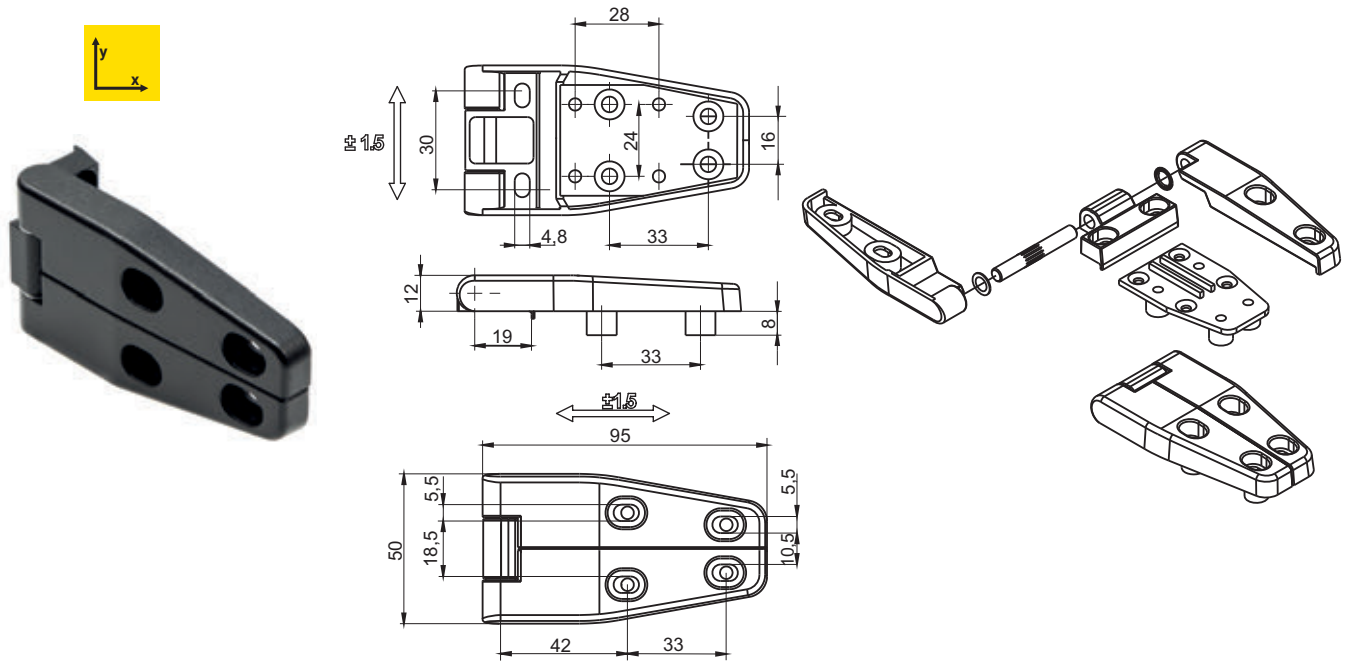
| CATALOGUE NUMBER | COMPONENTS | MATERIAL | FINISH [C] | |
|------------------|---------------|-------------------|------------|----------|
| | | | RAL 9005 | RAL 7035 |
| 3.ZN4.001 | Holder, Base, | ZAMAK 5 | 04 | 05 |
| | Pin | Steel zinc plated | | |
| | Washer | | | |

How to order:

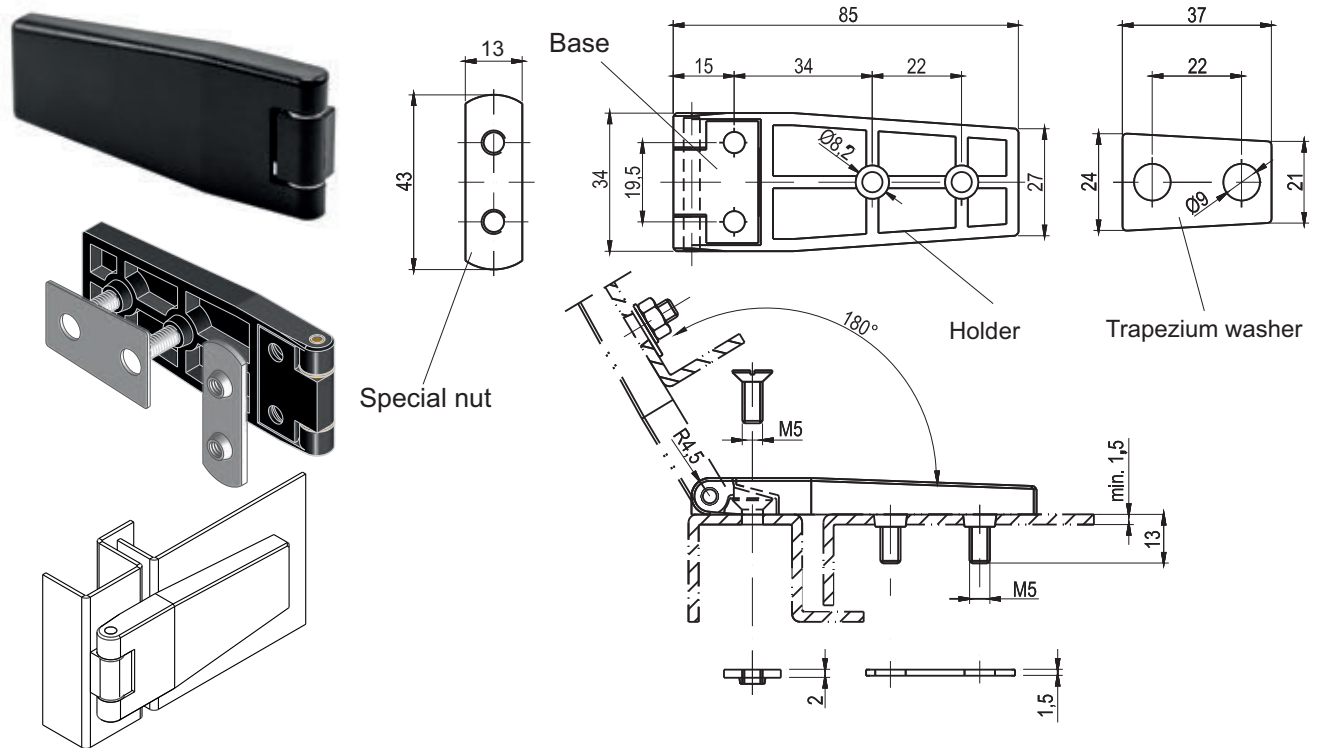
Catalogue number

Finish

3.ZN3.001 — C



| CATALOGUE NUMBER | COMPONENTS | MATERIAL | FINISH [C] | |
|------------------|--------------------|-------------------|------------|----------|
| | | | RAL 9005 | RAL 7035 |
| 3.ZN115.001 | Holder, Base, | ZAMAK 5 | 04 | 05 |
| | Pin Washer, Nut | Steel zinc plated | | |



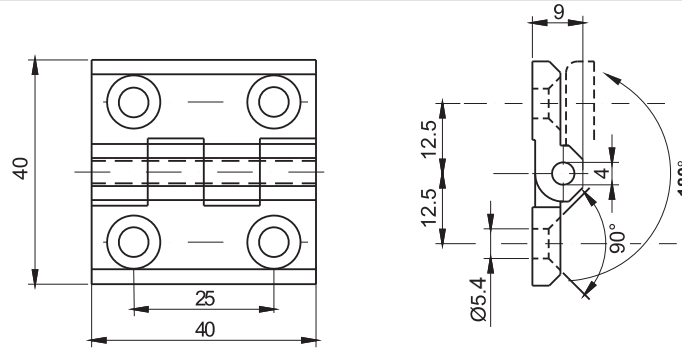
| CATALOGUE NUMBER | COMPONENTS | MATERIAL | FINISH [C] | |
|------------------|--------------------|-------------------|------------|----------|
| | | | RAL 9005 | RAL 7035 |
| 3.ZN110.001 | Holder, Base, | ZAMAK 5 | 04 | 05 |
| | Pin Washer, Nut | Steel zinc plated | | |

How to order:
 Catalogue number 3.ZN115.001
 Finish C

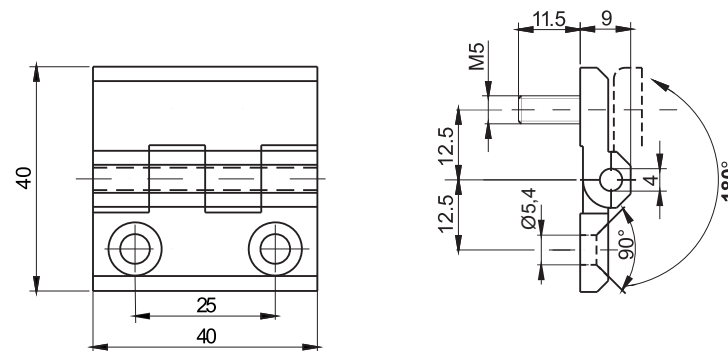
3A-3

| External hinges

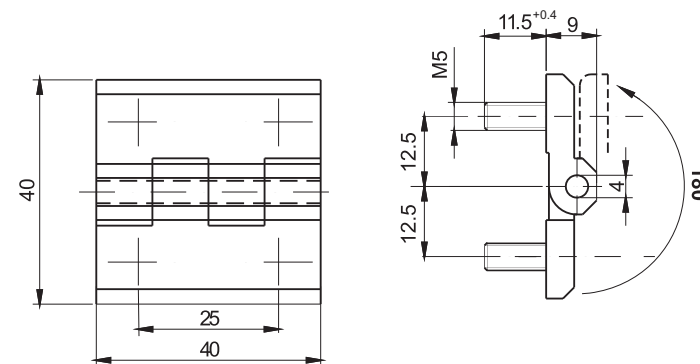
www.roztocze.eu



| CATALOGUE NUMBER | COMPONENTS | MATERIAL | FINISH [C] | | | |
|------------------|-------------------|--------------------------|------------|---------|---------|-----------------|
| | | | Chrome | RAL9005 | RAL7035 | Stainless steel |
| 3.ZN60.001 | Holder, Base | ZAMAK 5 * | 01 | 04 | 05 | - |
| | Pin | Stainless steel * | | | | |
| 3.ZN60.001PA | Holder, Base | Polyamide | - | 07 | - | - |
| | Pin | Stainless steel * | | | | |
| 3.ZN60.003SN | Holder, Base, Pin | Stainless steel polished | - | - | - | 9.1 |



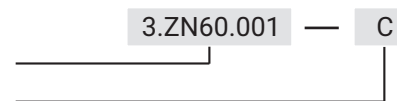
| CATALOGUE NUMBER | COMPONENTS | MATERIAL | FINISH [C] | | |
|------------------|--------------|---------------------|------------|---------|---------|
| | | | Chrome | RAL9005 | RAL7035 |
| 3.ZN60.004 | Holder, Base | ZAMAK 5 * | 01 | 04 | 05 |
| | Screw | Steel zinc plated * | | | |
| | Screw | Steel zinc plated * | | | |



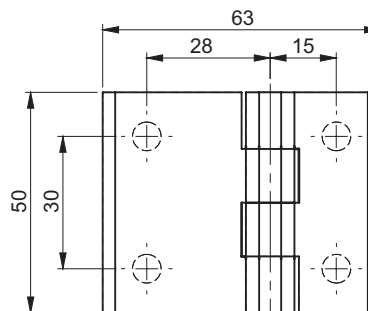
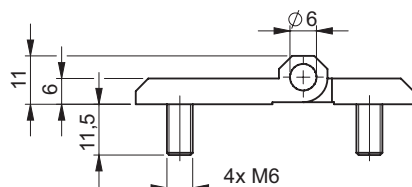
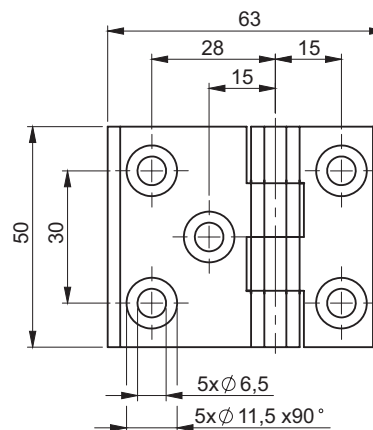
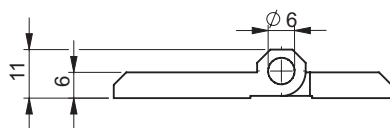
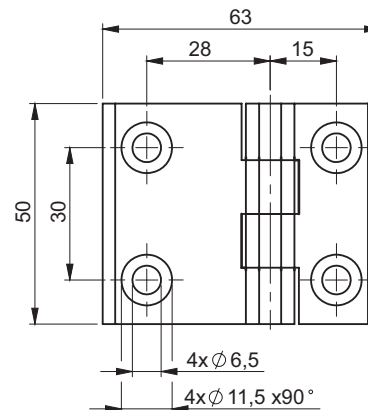
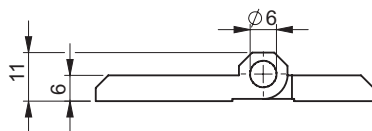
| CATALOGUE NUMBER | COMPONENTS | MATERIAL | FINISH [C] | | |
|------------------|--------------|---------------------|------------|---------|---------|
| | | | Chrome | RAL9005 | RAL7035 |
| 3.ZN60.002 | Holder, Base | ZAMAK 5 * | 01 | 04 | 05 |
| | Pin | Steel zinc plated * | | | |
| | Screw | Steel zinc plated * | | | |

How to order:

Catalogue number
Finish



3.509.XY

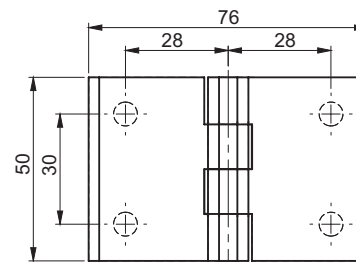
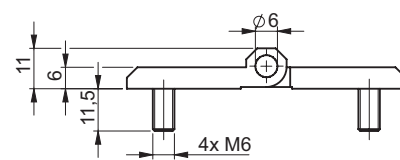
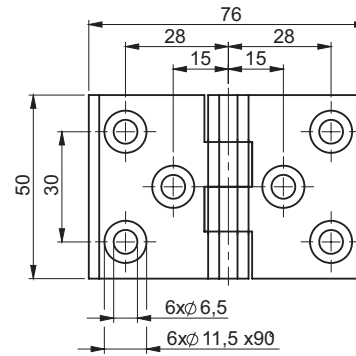
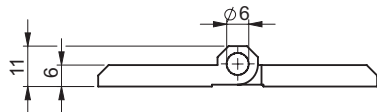
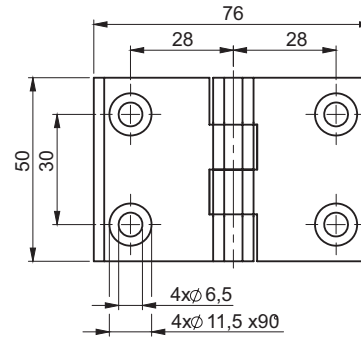
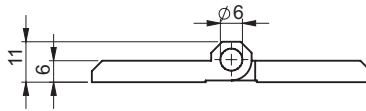
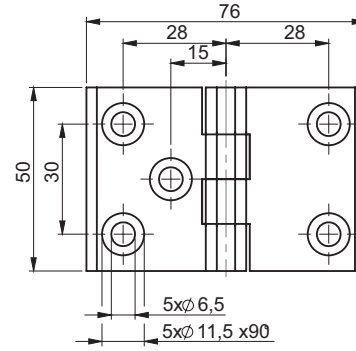
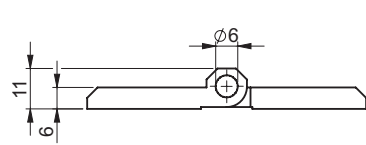


where:

- X** - the way of assembling the hinge
 - 0 - version with 4 holes
 - 1 - version with 5 holes
 - 3 - version with 4 screw
- Y** - finish
 - 1 - Chrome
 - 2 - RAL 9005

| HINGE | FINISH | |
|-------|----------|----|
| | 3.509.XY | 01 |
| | 11 | 12 |
| | 31 | 32 |

| CATALOGUE NUMBER | COMPONENTS | MATERIAL |
|------------------|--------------|-------------------|
| 3.509.XY | Holder, Base | ZAMAK 5 |
| | Pin | Stainless steel |
| | Screw | Steel zinc plated |



where:

X - the way of assembling the hinge

0 - version with 4 holes

1 - version with 5 holes

2 - version with 6 holes

3 - version with 4 screw

Y - finish

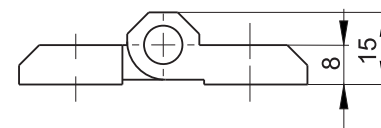
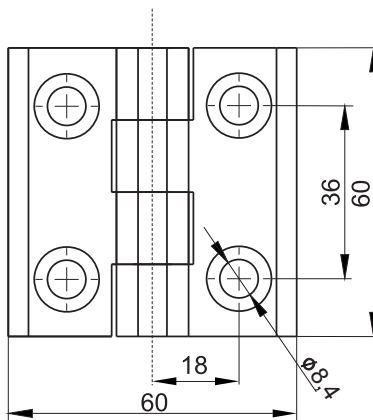
1 - Chrome

2 - RAL 9005

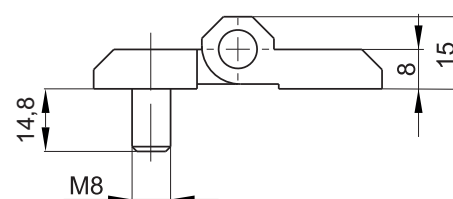
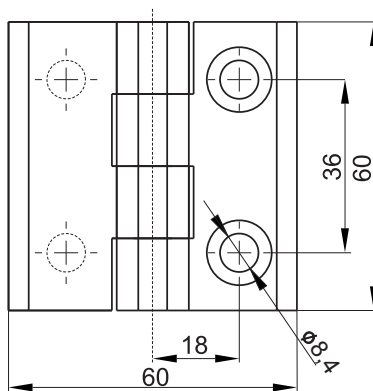
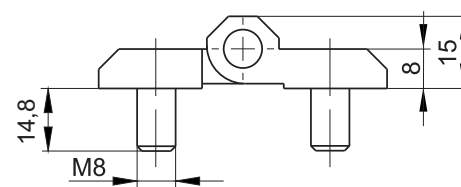
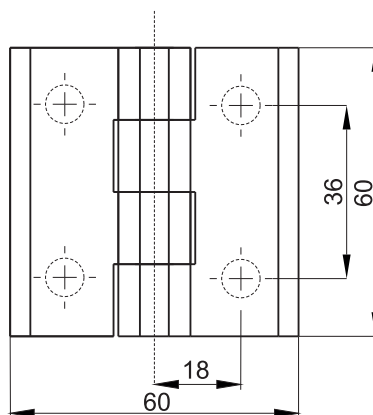
3 - Polyamide

| HINGE | FINISH | | |
|----------|--------|----|----|
| | 01 | 02 | - |
| 3.510.XY | 11 | 12 | - |
| | 21 | 22 | 23 |
| | 31 | 32 | - |

| CATALOGUE NUMBER | COMPONENTS | MATERIAL |
|------------------|--------------|--------------------|
| 3.510.XY | Holder, Base | ZAMAK 5/ Polyamide |
| | Pin | Stainless steel |
| | Screw | Steel zinc plated |



Use screws M8 DIN965



where:

X - the way of assembling the hinge

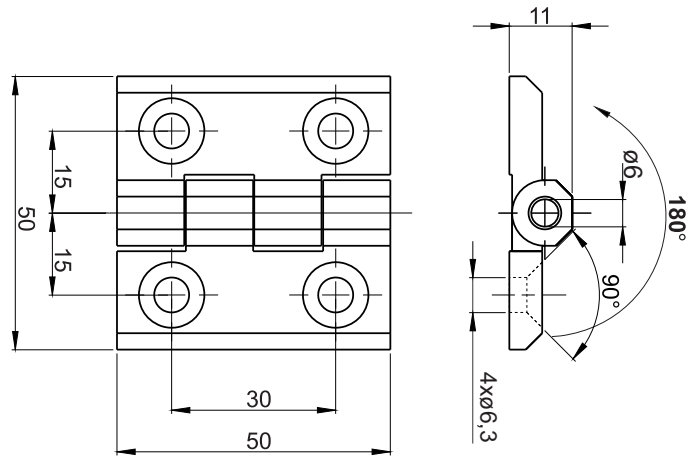
- 1 - version with 4 holes
- 2 - version with 4 threaded pins
- 3 - version with 2 holes and 2

Y - finish

- 1 - Chrome
- 2 - RAL 9005

| HINGE | FINISH | |
|-------|----------|----|
| | 3.511.XY | 11 |
| 21 | | 22 |
| 31 | | 32 |

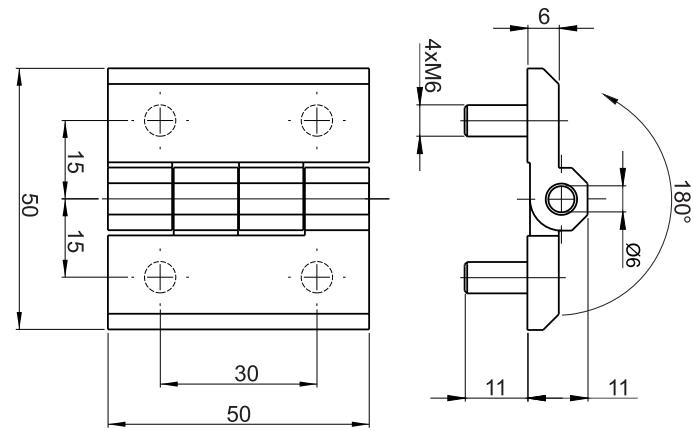
| CATALOGUE NUMBER | COMPONENTS | MATERIAL |
|------------------|--------------|-------------------|
| 3.511.XY | Holder, Base | ZAMAK 5 |
| | Pin | Steel zinc plated |



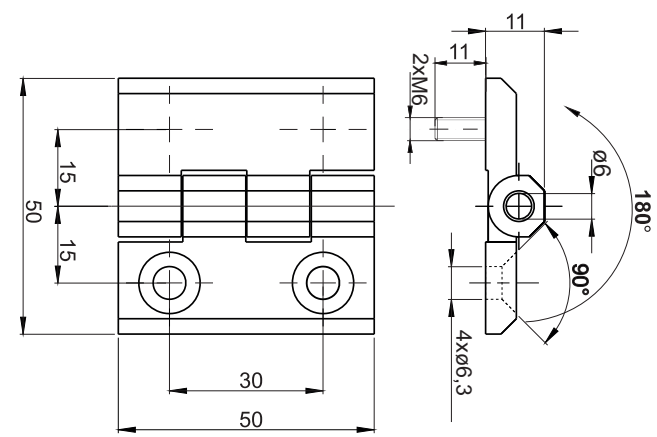
stainless steel



| CATALOGUE NUMBER | COMPONENTS | MATERIAL | FINISH [C] | | |
|------------------|--------------|-----------|------------|---------|---------|
| | | | Chrome | RAL9005 | RAL7035 |
| 3.ZN65.001 | Holder, Base | ZAMAK 5 * | 01 | 04 | 05 |

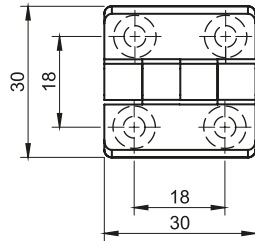
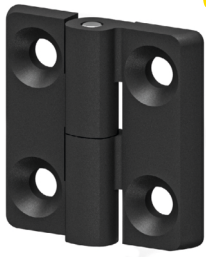


| CATALOGUE NUMBER | COMPONENTS | MATERIAL | FINISH [C] | | |
|------------------|--------------|--------------------|------------|---------|---------|
| | | | Chrome | RAL9005 | RAL7035 |
| 3.ZN65.002 | Holder, Base | ZAMAK 5* | 01 | 04 | 05 |
| | Screw | Steel zinc plated* | | | |

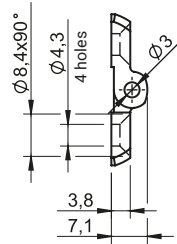


| CATALOGUE NUMBER | COMPONENTS | MATERIAL | FINISH [C] | | |
|------------------|--------------|--------------------|------------|---------|---------|
| | | | Chrome | RAL9005 | RAL7035 |
| 3.ZN65.003 | Holder, Base | ZAMAK 5* | 01 | 04 | 05 |
| | Screw | Steel zinc plated* | | | |

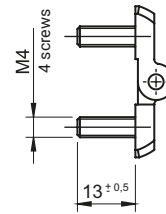
How to order:
 Catalogue number: 3.ZN65.001
 Finish: C



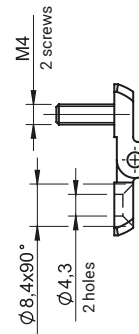
3.ZN30.101



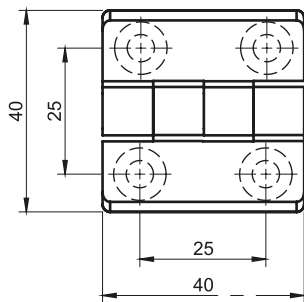
3.ZN30.102



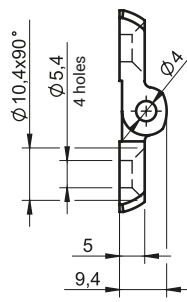
3.ZN30.103



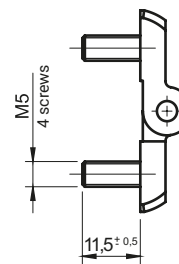
| CATALOGUE NUMBER | COMPONENTS | MATERIAL | FINISH [C] |
|------------------|--------------|-------------------|------------|
| | | | RAL 9005 |
| 3.ZN30.101 | Holder, Base | Polyamide | 07 |
| 3.ZN30.102 | Pin | Stainless steel | - |
| 3.ZN30.103 | Screws | Steel zinc plated | - |



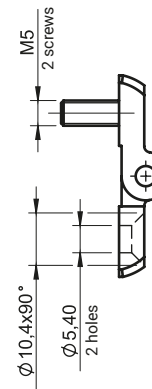
3.ZN60.101



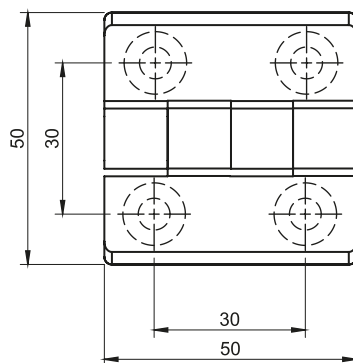
3.ZN60.102



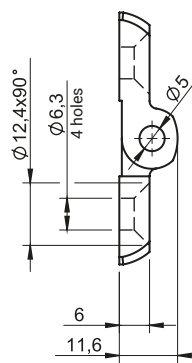
3.ZN60.103



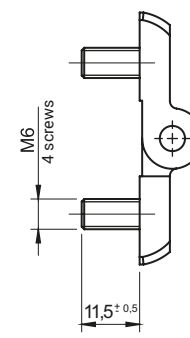
| CATALOGUE NUMBER | COMPONENTS | MATERIAL | FINISH [C] |
|------------------|--------------|-------------------|------------|
| | | | RAL 9005 |
| 3.ZN60.101 | Holder, Base | Polyamide | 07 |
| 3.ZN60.102 | Pin | Stainless steel | - |
| 3.ZN60.103 | Screws | Steel zinc plated | - |



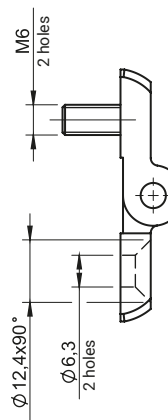
3.ZN65.101



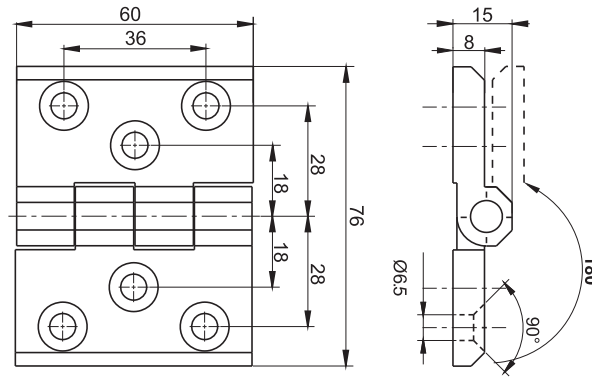
3.ZN65.102



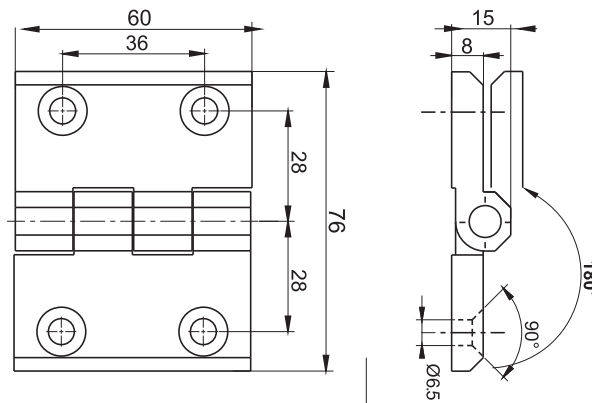
3.ZN65.103



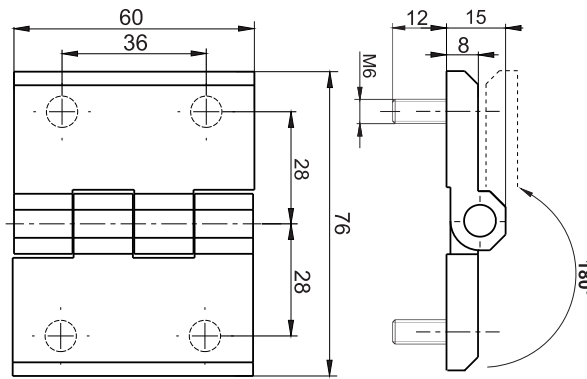
| CATALOGUE NUMBER | COMPONENTS | MATERIAL | FINISH [C] |
|------------------|--------------|-------------------|------------|
| | | | RAL 9005 |
| 3.ZN65.101 | Holder, Base | Polyamide | 07 |
| 3.ZN65.102 | Pin | Stainless steel | - |
| 3.ZN65.103 | Screws | Steel zinc plated | - |



| CATALOGUE NUMBER | COMPONENTS | MATERIAL | FINISH [C] | | |
|------------------|--------------|-----------------|------------|---------|---------|
| | | | Chrome | RAL9005 | RAL7035 |
| 3.ZN66.001 | Holder, Base | ZAMAK 5 | 01 | 04 | 05 |
| | Pin | Stainless steel | | | |



| CATALOGUE NUMBER | COMPONENTS | MATERIAL | FINISH [C] | | |
|------------------|--------------|-----------------|------------|---------|---------|
| | | | Chrome | RAL9005 | RAL7035 |
| 3.ZN66.002 | Holder, Base | ZAMAK 5 | 01 | 04 | 05 |
| | Pin | Stainless steel | | | |



| CATALOGUE NUMBER | COMPONENTS | MATERIAL | FINISH [C] | |
|------------------|-----------------|--------------------|------------|---------|
| | Holder, Base | ZAMAK 5 | RAL9005 | RAL7035 |
| | Screw | Steel zinc plated* | 04 | 05 |
| Pin | Stainless steel | | | |

How to order:

Catalogue number

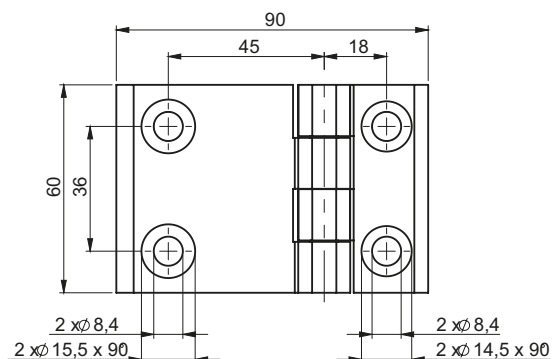
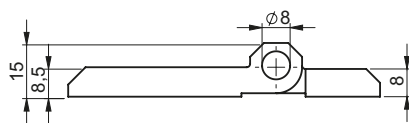
Finish

3.ZN66.001

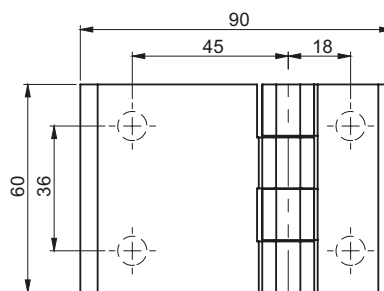
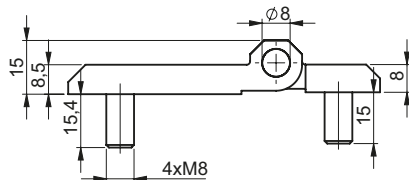
C



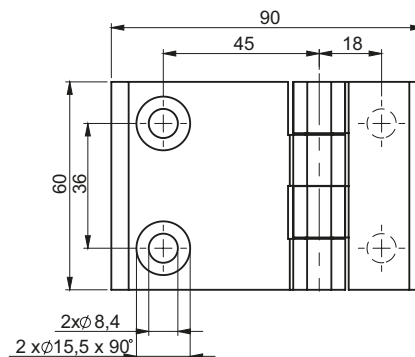
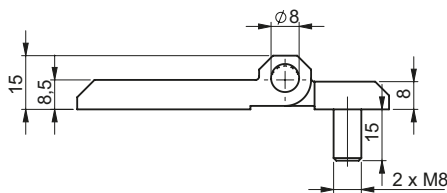
X=1



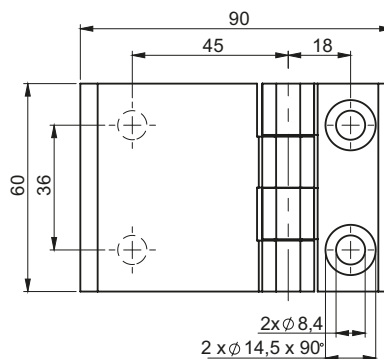
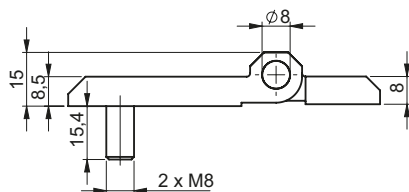
X=2



X=3



X=4



where:

X - the way of assembling the hinge

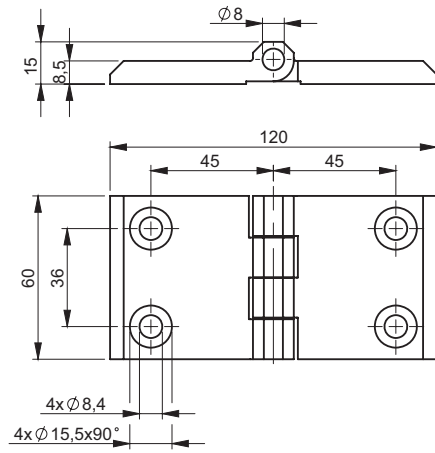
- 1 - version with 4 holes
- 2 - version with 4 threaded pins
- 3 - version with 2 holes and 2 threaded pins
- 4 - version with 2 threaded pins and 2 holes

Y - finish

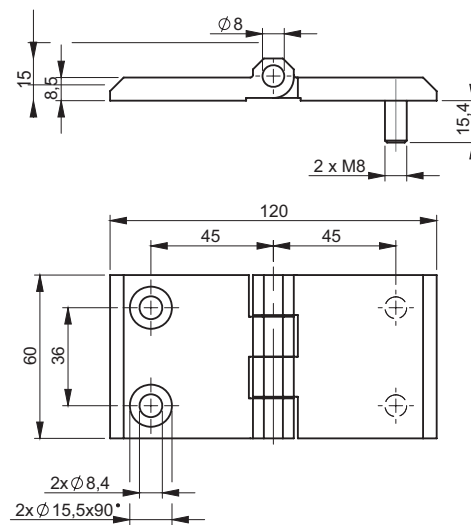
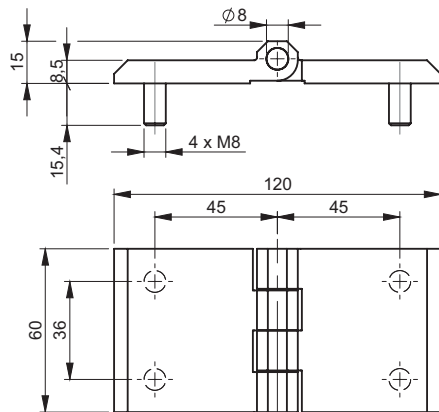
- 1 - Chrome
- 2 - RAL 9005

| HINGE | FINISH | |
|-------|----------|----|
| | 3.512.XY | 11 |
| 21 | | 22 |
| 31 | | 32 |
| 41 | | 42 |

| CATALOGUE NUMBER | COMPONENTS | MATERIAL |
|------------------|--------------|-----------------|
| 3.512.XY* | Holder, Base | ZAMAK 5 |
| | Pin | Stainless steel |



Use screws
M8 DIN965



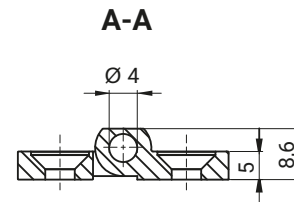
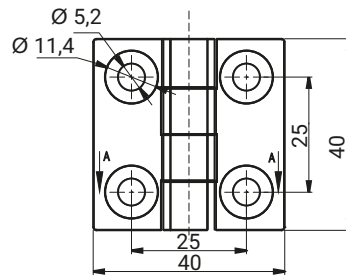
| HINGE | FINISH | |
|-------|----------|----|
| | 3.513.XY | 11 |
| 21 | | 22 |
| 31 | | 32 |

where:

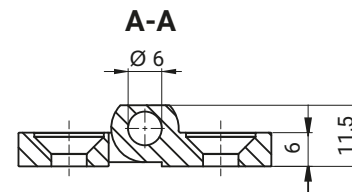
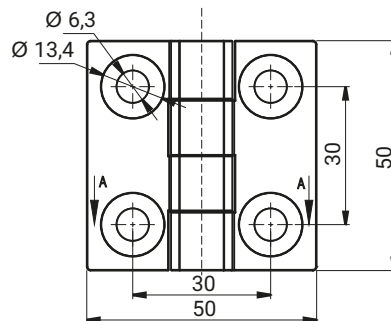
- X** - the way of assembling the hinge
 - 1 - version with 4 holes
 - 2 - version with 4 threaded pins
 - 3 - version with 2 holes and 2 threaded pins

- Y** - finish
 - 1 - Chrome
 - 2 - RAL 9005

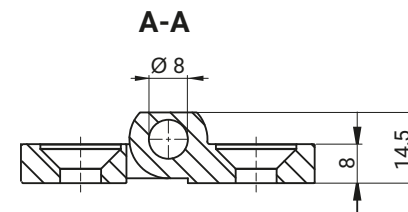
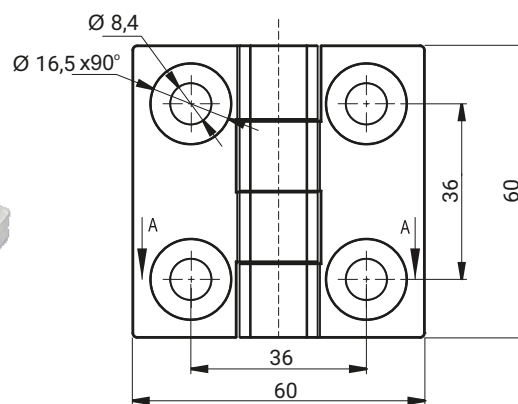
| CATALOGUE NUMBER | COMPONENTS | MATERIAL |
|------------------|--------------|-------------------|
| 3.513.XY | Holder, Base | ZAMAK 5 |
| | Pin | Steel zinc plated |



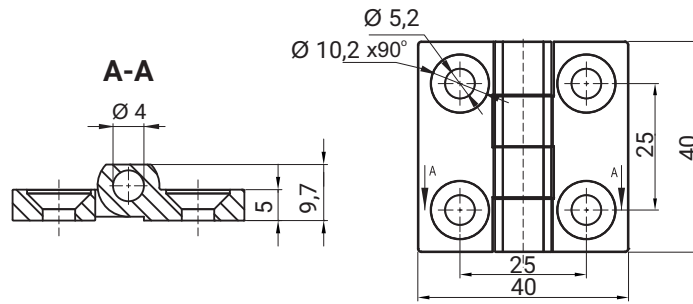
| CATALOGUE NUMBER | COMPONENTS | MATERIAL | FINISH |
|------------------|--------------|-----------------|-----------|
| 3.541.001SN | Holder, Base | Stainless steel | Burnished |



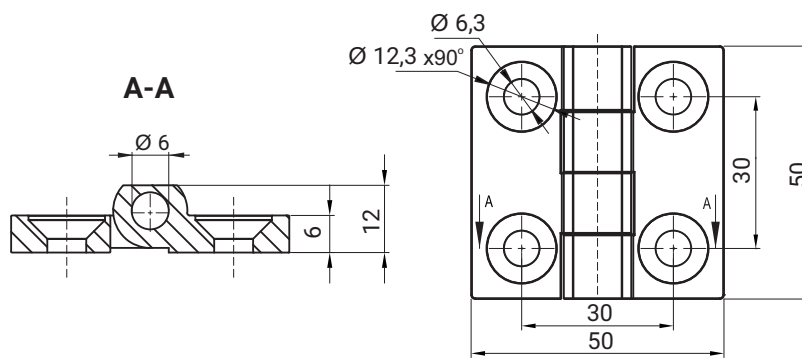
| CATALOGUE NUMBER | COMPONENTS | MATERIAL | FINISH |
|------------------|--------------|-----------------|-----------|
| 3.541.002SN | Holder, Base | Stainless steel | Burnished |



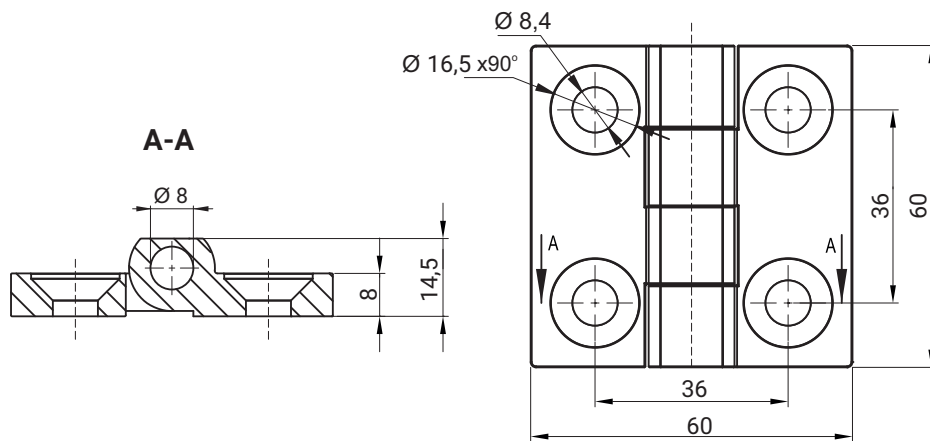
| CATALOGUE NUMBER | COMPONENTS | MATERIAL | FINISH |
|------------------|--------------|-----------------|-----------|
| 3.541.003SN | Holder, Base | Stainless steel | Burnished |



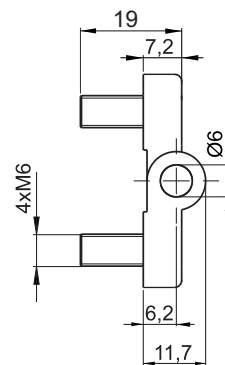
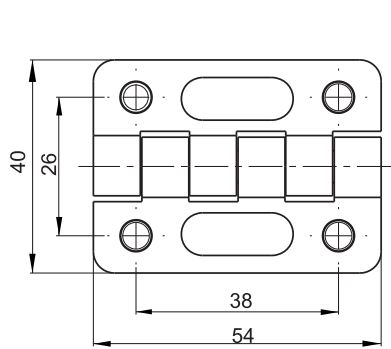
| CATALOGUE NUMBER | COMPONENTS | MATERIAL | FINISH [C] |
|------------------|--------------|-----------------|------------|
| | | | RAL 9005 |
| 3.540.001SN | Holder, Base | Stainless steel | 04 |



| CATALOGUE NUMBER | COMPONENTS | MATERIAL | FINISH [C] |
|------------------|--------------|-----------------|------------|
| | | | RAL 9005 |
| 3.540.002SN | Holder, Base | Stainless steel | 04 |



| CATALOGUE NUMBER | COMPONENTS | MATERIAL | FINISH [C] |
|------------------|--------------|-----------------|------------|
| | | | RAL 9005 |
| 3.540.003SN | Holder, Base | Stainless steel | 04 |



| CATALOGUE NUMBER | COMPONENTS | MATERIAL | FINISH [C] | |
|------------------|--------------|-------------------|------------|--|
| | | | RAL 9005 | |
| 3.ZN68.001* | Holder, Base | ZAMAK 5 | 04 | |
| | Pin | Steel zinc plated | | |

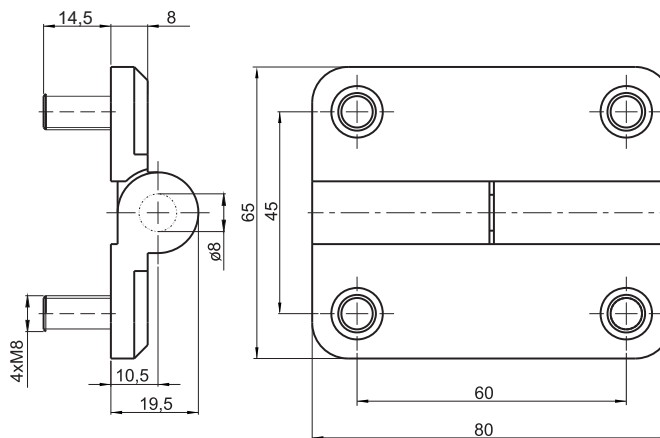


VERSION LEFT

3.ZN67.002
3.ZN67.004

VERSION RIGHT

3.ZN67.001
3.ZN67.003



| CATALOGUE NUMBER | COMPONENTS | MATERIAL | FINISH [C] | |
|------------------|--------------|-------------------|------------|----------|
| | | | RAL 9005 | RAL 7035 |
| 3.ZN67.001* | Holder, Base | ZAMAK 5 | 04 | - |
| 3.ZN67.002* | Pin | Steel zinc plated | | |
| 3.ZN67.003* | Holder, Base | ZAMAK 5 | - | 05 |
| 3.ZN67.004* | Pin | Steel zinc plated | | |

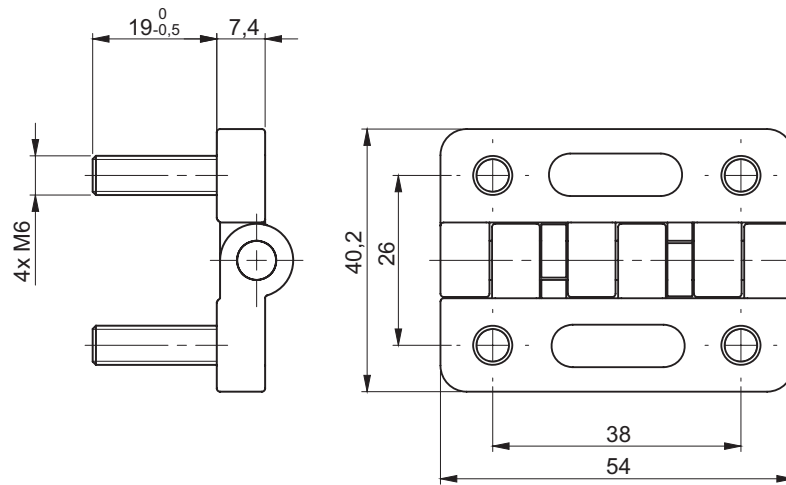
* possibility to order stainless steel pin.

How to order:

Catalogue number

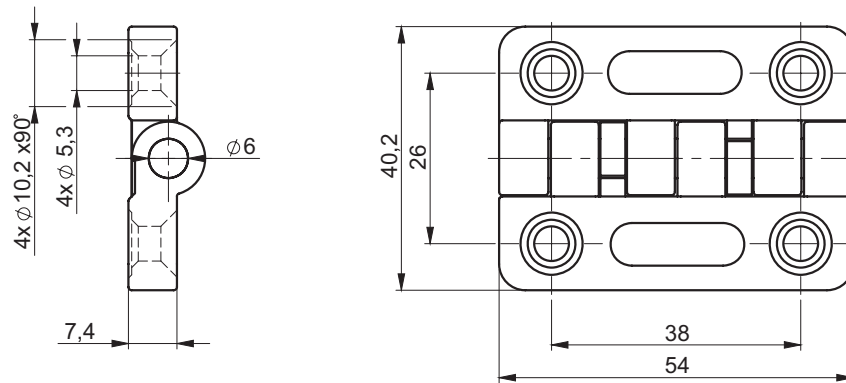
Finish

3.ZN67.001 — C



| Type | Friction torque |
|-----------|-----------------|
| 3.543.001 | 47kg.cm ± 15% |
| 3.543.002 | 12kg.cm ± 15% |

| CATALOGUE NUMBER | COMPONENTS | MATERIAL | FINISH [C] |
|------------------|--------------|-----------------|------------|
| | | | RAL 9005 |
| 3.543.001 | Holder, Base | ZAMAK5 | 04 |
| 3.543.002 | Pin | Stainless steel | - |

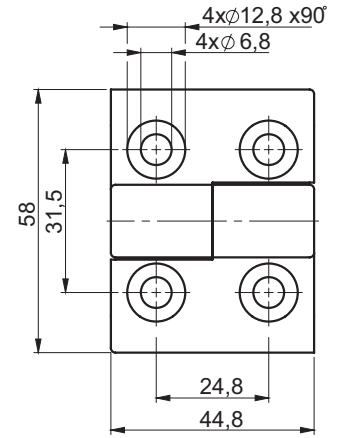
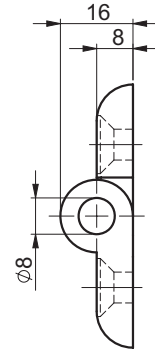
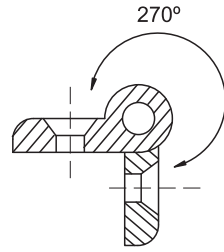


| Type | Friction torque |
|-----------|-----------------|
| 3.543.101 | 47kg.cm ± 15% |
| 3.543.102 | 12kg.cm ± 15% |

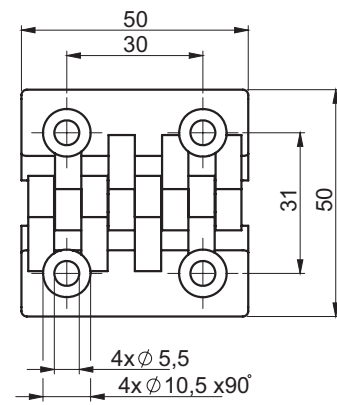
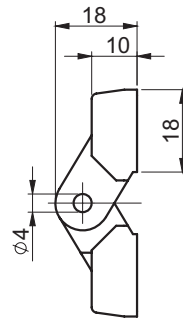
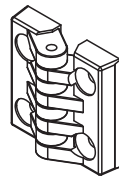
| CATALOGUE NUMBER | COMPONENTS | MATERIAL | FINISH [C] |
|------------------|--------------|----------|------------|
| | | | RAL 9005 |
| 3.543.101 | Holder, Base | ZAMAK5 | 04 |
| 3.543.102 | Holder, Base | ZAMAK5 | 04 |

Hinges with linear course of frictional resistance.

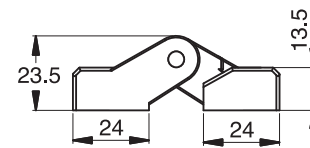
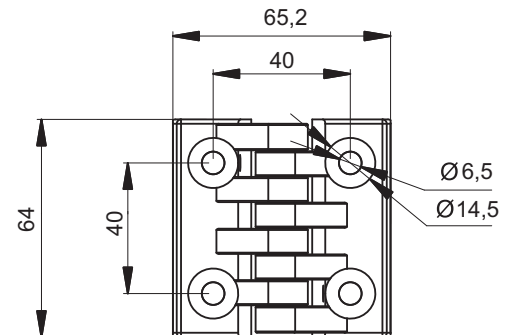
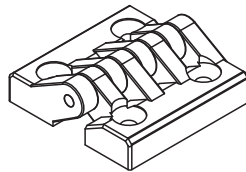
How to order:
 Catalogue number 3.543.001
 Finish C



| CATALOGUE NUMBER | VERSION | COMPONENTS | MATERIAL | FINISH [C] |
|------------------|---------|--------------|-----------|------------|
| | | | | RAL 9005 |
| 3.544.001 | Right | Holder, Base | Polyamide | 07 |
| 3.544.002 | Left | | | - |



| CATALOGUE NUMBER | COMPONENTS | MATERIAL | FINISH [C] |
|------------------|--------------|-------------------|------------|
| | | | RAL 9005 |
| 3.545.001 | Holder, Base | Polyamide | 07 |
| | Pin | Steel zinc plated | - |



| CATALOGUE NUMBER | COMPONENTS | MATERIAL | FINISH [C] |
|------------------|--------------|-------------------|------------|
| | | | RAL 9005 |
| 3.545.002 | Holder, Base | Polyamide | 07 |
| | Pin | Steel zinc plated | - |

How to order:

Catalogue number

Finish

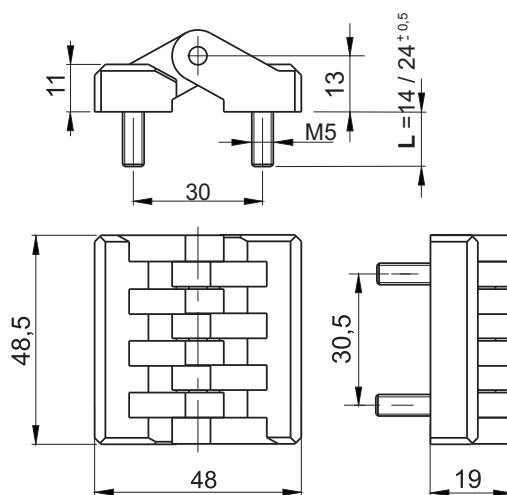
3.545.001

C

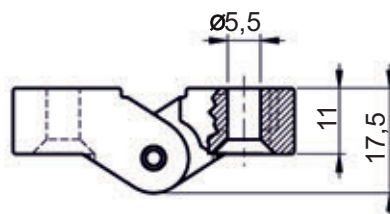
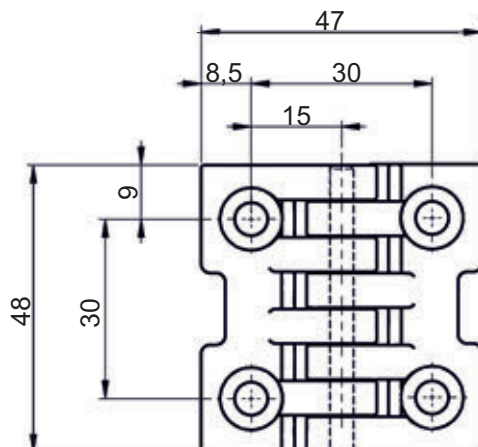
3A-17

| External hinges

www.roztocze.eu

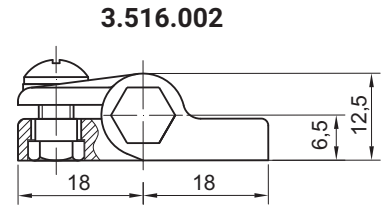
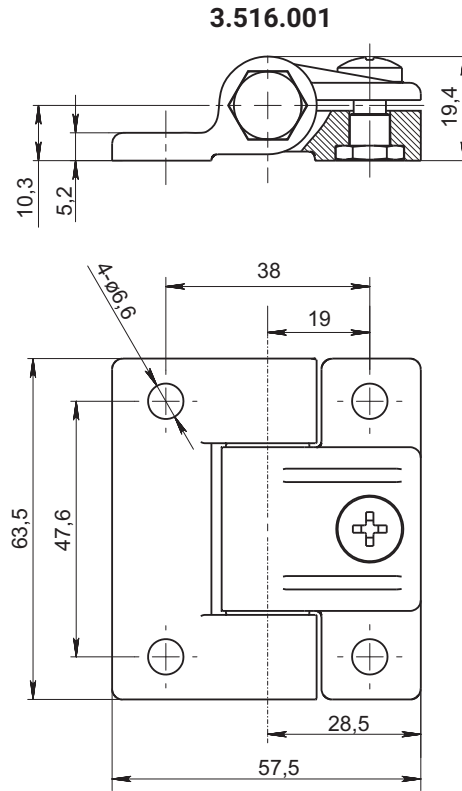


| CAT. NUMBER | DIMENSION L | COMPONENTS | MATERIAL | FINISH [C] | |
|------------------|-------------|--------------|-------------------|------------|--|
| | | | | RAL 9005 | |
| 3.ZN48-PA.001 | 14 | Holder, Base | Polyamide Pa6 | 07 | |
| 3.ZN48-PA.101 | 24 | Pin, Studs | Steel zinc plated | | |
| 3.ZN48-PA.102 SN | 14 | Holder, Base | Polyamide Pa6 | | |
| 3.ZN48-PA.103 SN | 24 | Pin, Studs | Stainless steel | | |

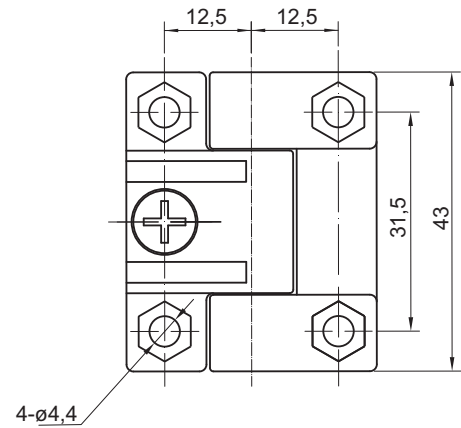


| CATALOGUE NUMBER | COMPONENTS | MATERIAL | FINISH [C] | |
|------------------|--------------|-------------------|------------|---------|
| | | | RAL9005 | RAL7035 |
| 3.527.001 | Holder, Base | Polyamide | 07 | 08 |
| | Pin | Steel zinc plated | | |

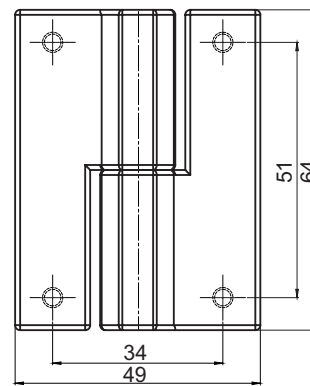
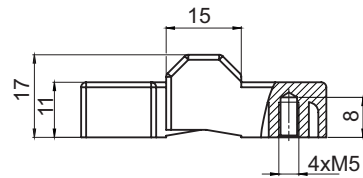
How to order:
 Catalogue number 3.526.001 — C
 Finish



Screw adjustment

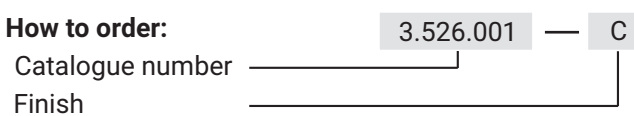


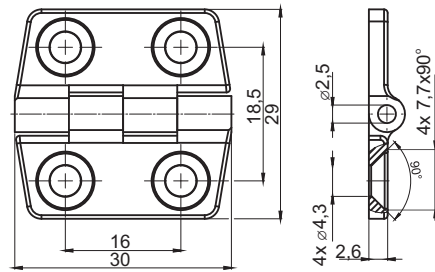
| CATALOGUE NUMBER | COMPONENTS | MATERIAL | FINISH [C] | | |
|------------------|--------------|-------------------|------------|---------|---------|
| | | | Chrome | RAL9005 | RAL7035 |
| 3.516.001 | Holder, Base | Polyamide | 01 | 04 | 05 |
| 3.516.002 | Pin | Steel zinc plated | - | - | - |



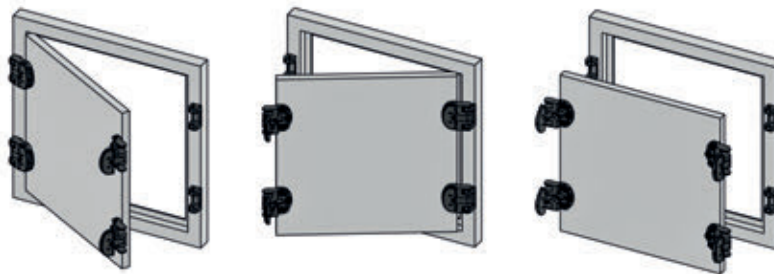
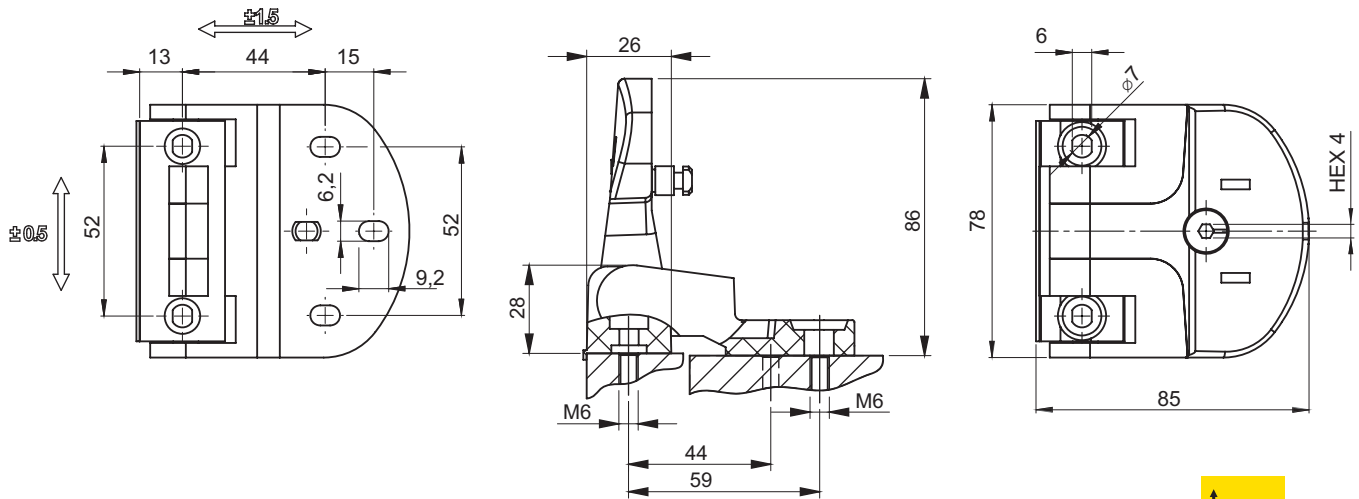
| CATALOGUE NUMBER | VERSION | COMPONENTS | MATERIAL | FINISH [C] | | |
|------------------|---------|--------------|-------------------|------------|---------|---------|
| | | | | Chrome | RAL9005 | RAL7035 |
| 3.526.001 | RIGHTS | Holder, Base | ZAMAK 5 | 01 | 04 | 05 |
| 3.526.002 | LEFT | Pin | Steel zinc plated | - | - | - |

How to order:





| CATALOGUE NO. | COMPONENTS | MATERIAL | FINISH [C] |
|---------------|---------------|-------------------|------------|
| | | | RAL 9005 |
| 3.ZN10.001 | Holder, Base, | ZAMAK5 | 04 |
| | Pin | Steel zinc plated | |



Opening the left

Opening the right

Removing the door



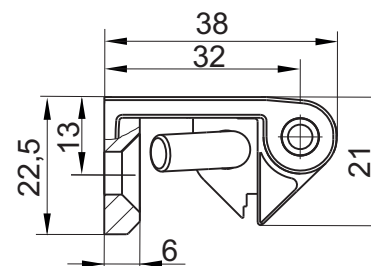
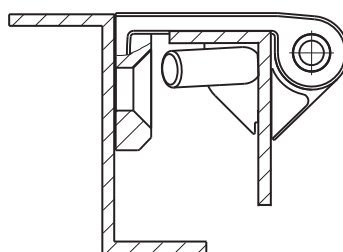
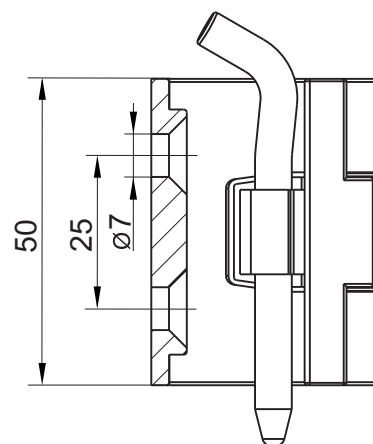
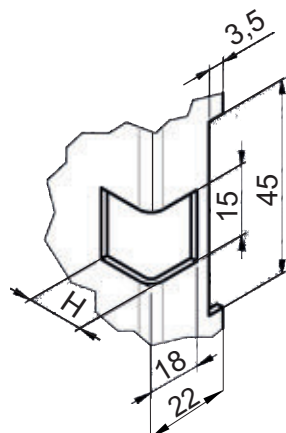
| CATALOGUE NO. | DETAIL | MATERIAL | FINISH [C] |
|---------------|--------------------------|-----------|------------|
| | | | RAL 9005 |
| 3.ZN200.001 | Hinge with lock function | Polyamide | 07 |

How to order:

Catalogue number

Finish

3.ZN10.001 — C

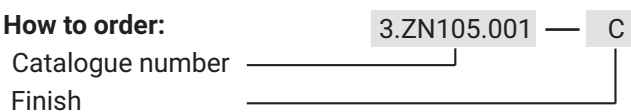


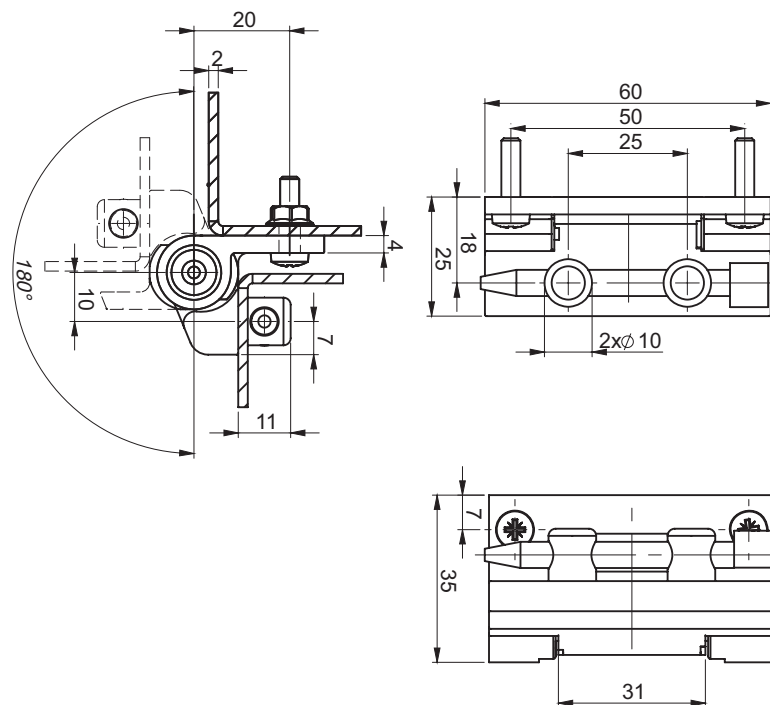
| H [mm] | APPLICATION |
|--------|--------------------|
| 13 | only sheets 1,5 mm |
| 15 | only sheets 2 mm |

| CATALOGUE NUMBER | COMPONENTS | MATERIAL | FINISH [C] | | |
|------------------|--------------|-------------------|------------|----------|----------|
| | | | Chrome | RAL 9005 | RAL 7035 |
| 3.ZN105.001* | Holder, Base | ZAMAK 5 | 01 | 04 | 05 |
| | Pin | Steel zinc plated | | | |

* possibility to order stainless steel pin.
When ordering, specify the color or finishing type

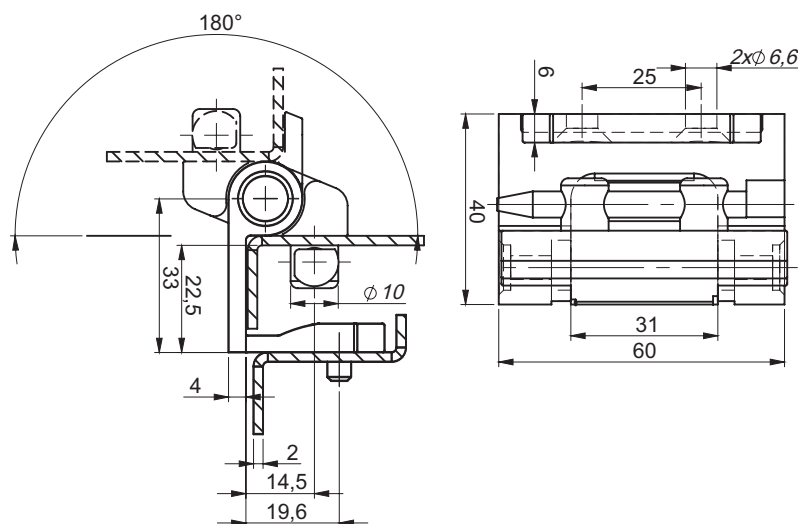
How to order:





| CATALOGUE NUMBER | COMPONENTS | MATERIAL | FINISH [C] | |
|------------------|--------------|---------------------|------------|----------|
| | | | Chrome | RAL 9005 |
| 3.529.001* | Holder, Base | ZAMAK 5 | 01 | 04 |
| | Pin | Steel zinc plated,* | | |

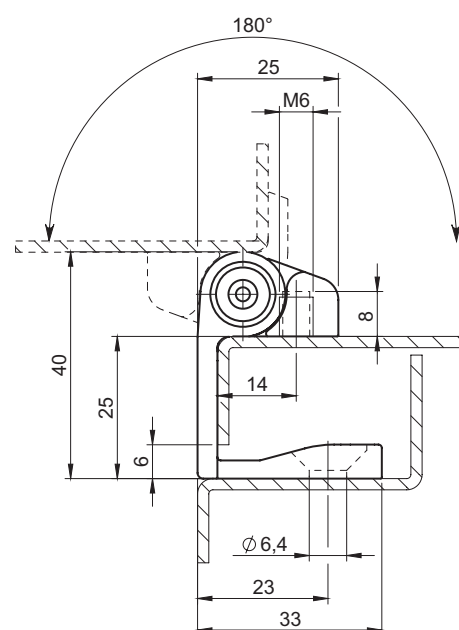
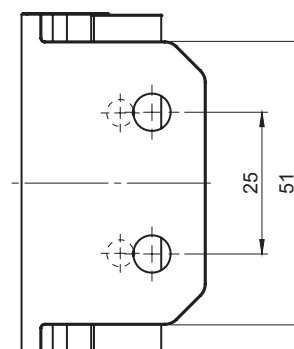
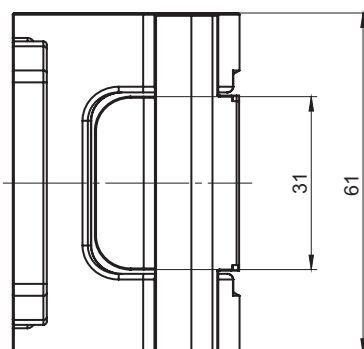
* possible to order stainless steel pin.



| CATALOGUE NUMBER | COMPONENTS | MATERIAL | FINISH [C] | |
|------------------|--------------|-------------------|------------|----------|
| | | | Chrome | RAL 9005 |
| 3.530.001** | Holder, Base | ZAMAK 5 | 01 | 04 |
| | Pin | Steel zinc plated | | |

** possible to order polyamide pin.

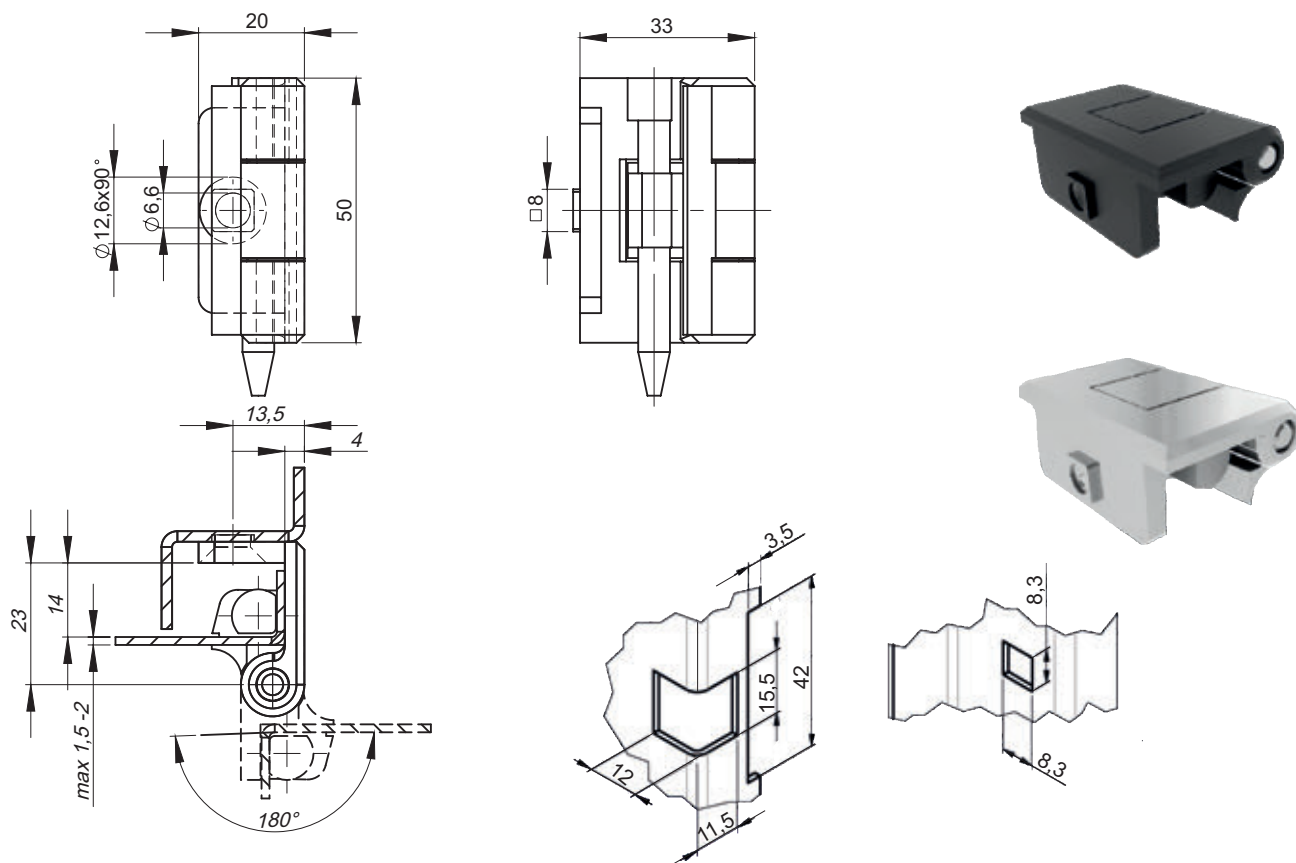
How to order:
 Catalogue number 3.530.001
 Finish C



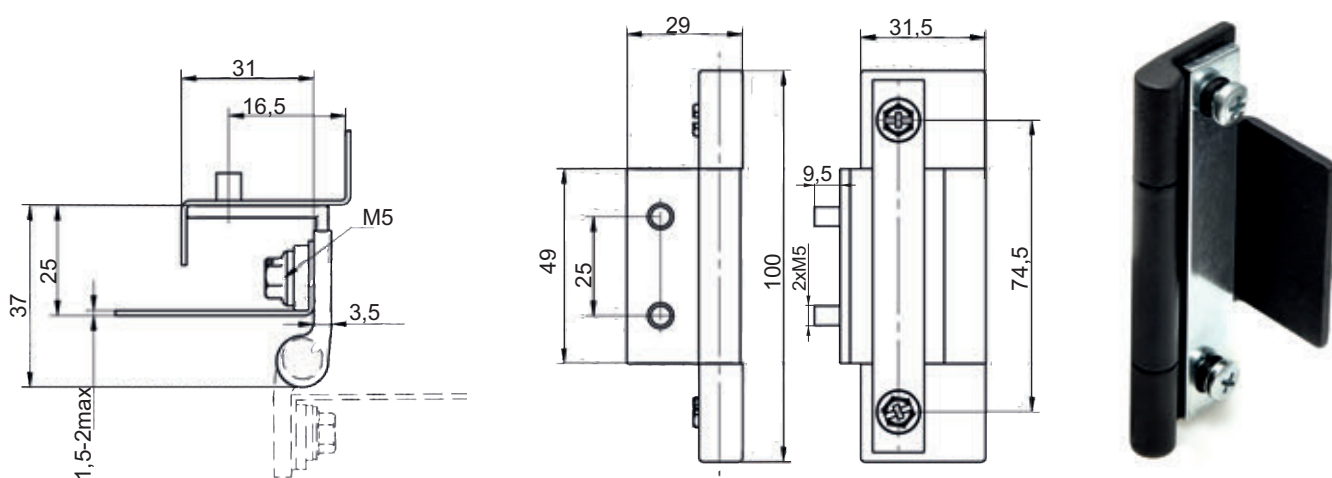
| CATALOGUE NUMBER | COMPONENTS | MATERIAL | FINISH [C] | |
|------------------|--------------|-----------|------------|----------|
| | | | Chrome | RAL 9005 |
| 3.530.002 | Holder, Base | ZAMAK | 01 | 04 |
| | Pin | Polyamide | - | - |

How to order:
 Catalogue number
 Finish [C]





| CATALOGUE NUMBER | COMPONENTS | MATERIAL | FINISH [C] | |
|------------------|--------------|-------------------|------------|----------|
| | | | Chrome | RAL 9005 |
| 3.532.001* | Holder, Base | ZAMAK 5 | 01 | 04 |
| | Pin | Steel zinc plated | | |



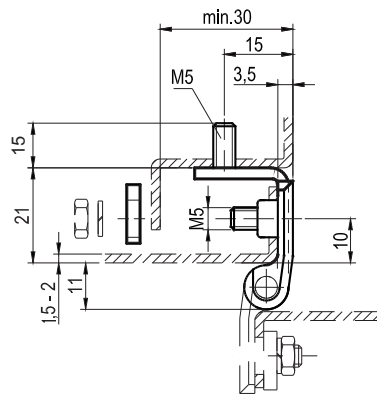
| CATALOGUE NUMBER | COMPONENTS | MATERIAL | FINISH [C] | |
|------------------|------------|-------------------|------------|----------|
| | | | Chrome | RAL 9005 |
| 3.536.001 | Holder | ZAMAK 5 | 01 | 04 |
| | Base | Steel zinc plated | | |

* possibility to order with polyamide pin

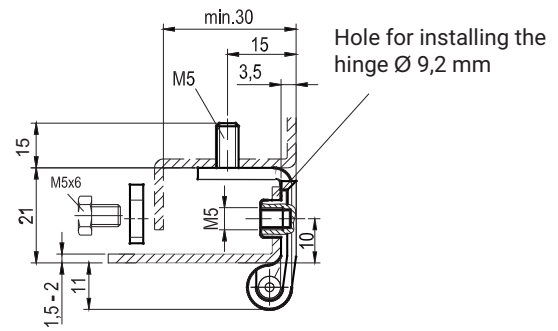
How to order:
 Catalogue number — 3.532.001 — C
 Finish —



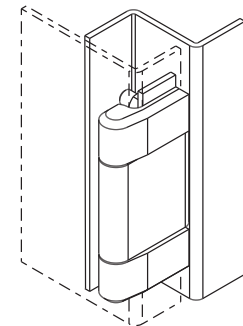
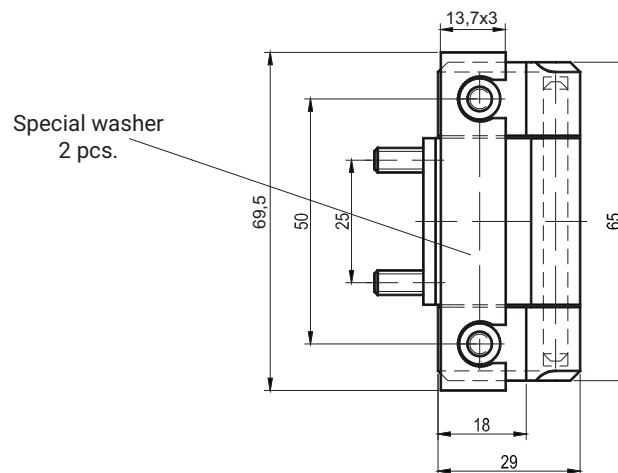
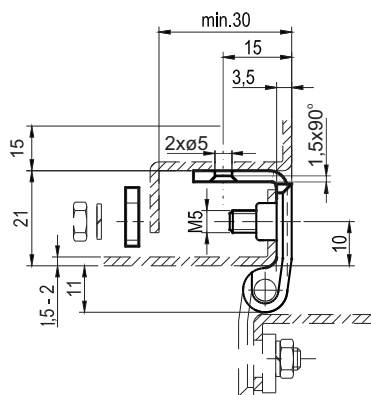
3.ZN120.001



3.ZN120.002



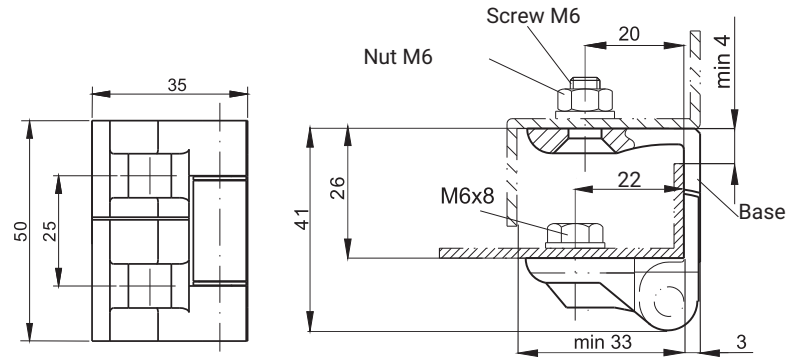
3.ZN120.005



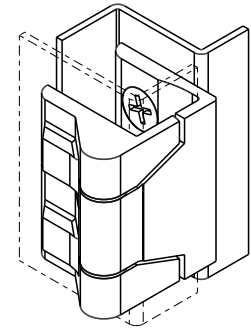
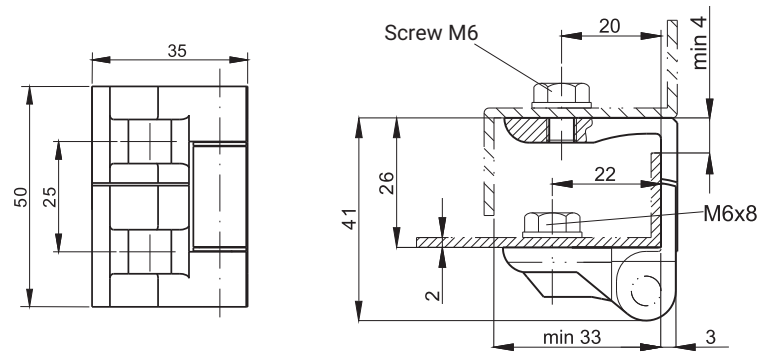
Note:
When using the hinge to sheet a thickness of 1 mm, should order special washer having a thickness of 1 mm

| CAT. NUMBER | VERSION | COMPONENTS | MATERIAL | FINISH [C] | |
|-------------|---------|------------|-------------------|------------|----------|
| | | | | RAL 9005 | RAL 7035 |
| 3.ZN120.001 | Stud M5 | Holder | ZAMAK 5 | | |
| 3.ZN120.002 | Hole M5 | Pin, Base | Steel zinc plated | 04 | 05 |
| 3.ZN120.005 | Hole M5 | Pin, Base | Steel zinc plated | | |

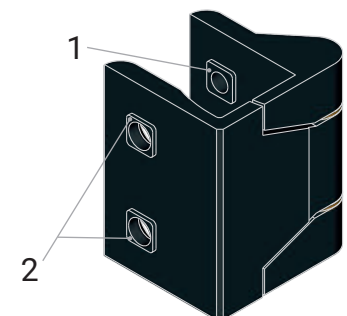
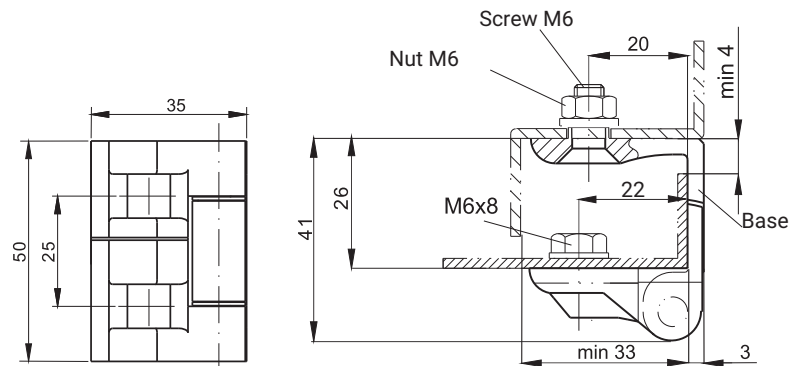
When ordering, specify the color or finishing type



| CATALOGUE NUMBER | COMPONENTS | MATERIAL | FINISH [C] | |
|------------------|------------|-------------------|------------|----------|
| | | | RAL 9005 | RAL 7035 |
| 3.ZN130.001 | Holder | ZAMAK 5 | 04 | 05 |
| | Base | ZAMAK 5 | | |
| | Pin | Steel zinc plated | | |



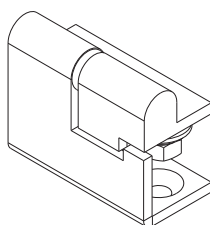
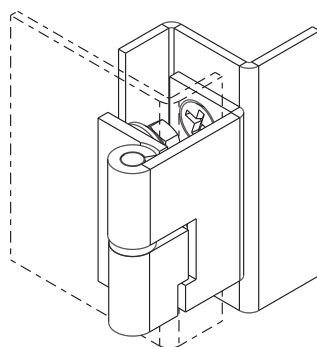
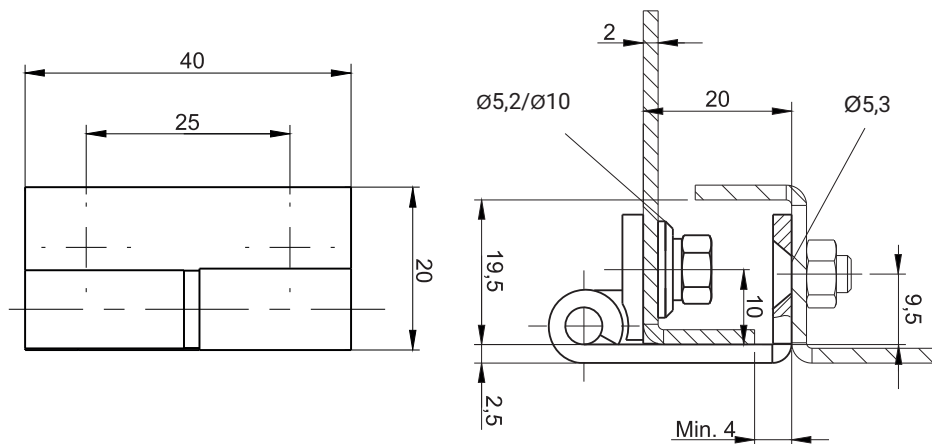
| CATALOGUE NUMBER | COMPONENTS | MATERIAL | FINISH [C] | |
|------------------|------------|-------------------|------------|----------|
| | | | RAL 9005 | RAL 7035 |
| 3.ZN130.002/M6 | Holder | ZAMAK 5 | 04 | 05 |
| | Base | ZAMAK 5 | | |
| | Pin | Steel zinc plated | | |



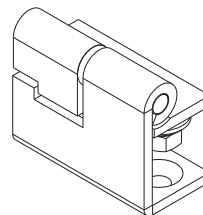
- 1. Holder with shoulder □ 8x1mm in standard version
- 2. Base with shoulder □ 8x1mm in version 3.ZN130.003

| CATALOGUE NUMBER | COMPONENTS | MATERIAL | FINISH [C] | |
|------------------|------------|-------------------|------------|----------|
| | | | RAL 9005 | RAL 7035 |
| 3.ZN130.003 | Holder | ZAMAK 5 | 04 | 05 |
| | Base | ZAMAK 5 | | |
| | Pin | Steel zinc plated | | |

How to order:
 Catalogue number — 3.ZN130.001 — C
 Finish —



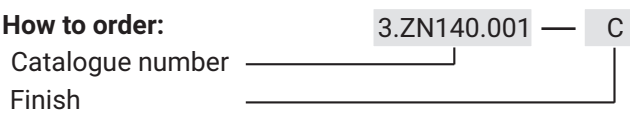
3.ZN140.001
RIGHT VERSION

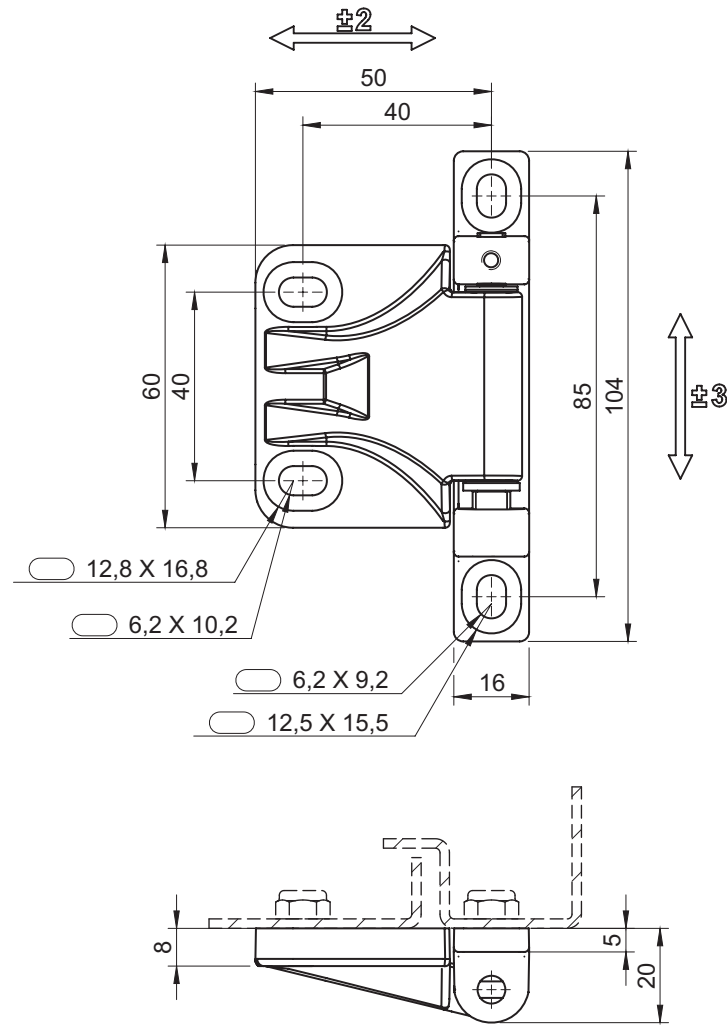


3.ZN140.002
LEFT VERSION

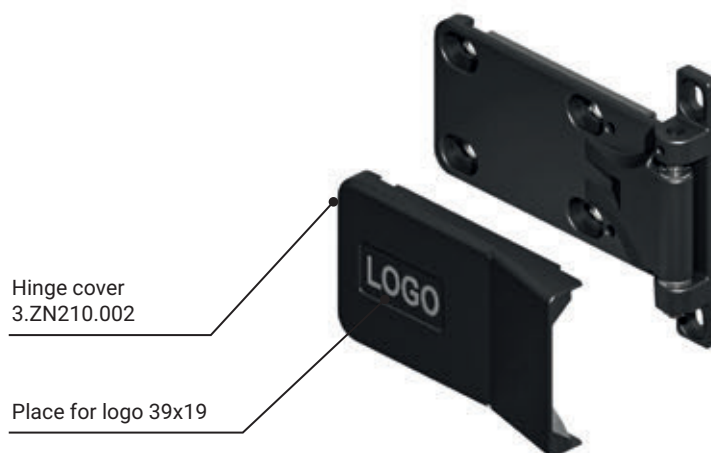
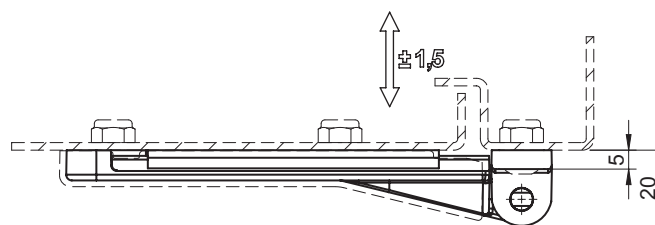
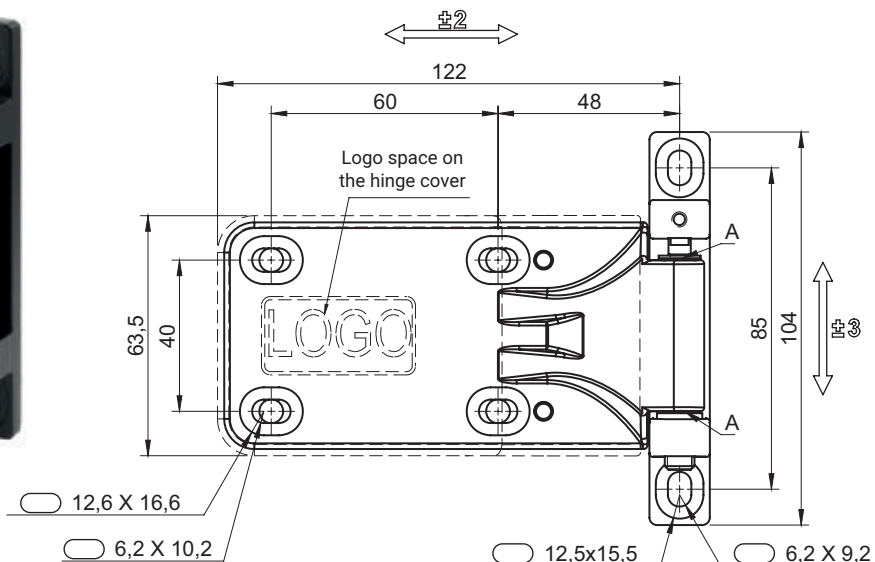
| CATALOGUE NUMBER | COMPONENTS | MATERIAL | FINISH [C] | |
|------------------|-------------------|-------------------|------------|----------|
| | | | RAL 9005 | RAL 7035 |
| 3.ZN140.001 | Holder | Brass | | |
| | Base | Steel zinc plated | 04 | 05 |
| | Pin | Steel zinc plated | | |
| 3.ZN140.001SN | Holder, Base, Pin | Stainless steel | - | - |
| 3.ZN140.002 | Holder | Brass | | |
| | Base | Steel zinc plated | 04 | 05 |
| | Pin | Steel zinc plated | | |
| 3.ZN140.002SN | Holder, Base, Pin | Stainless steel | - | - |

How to order:



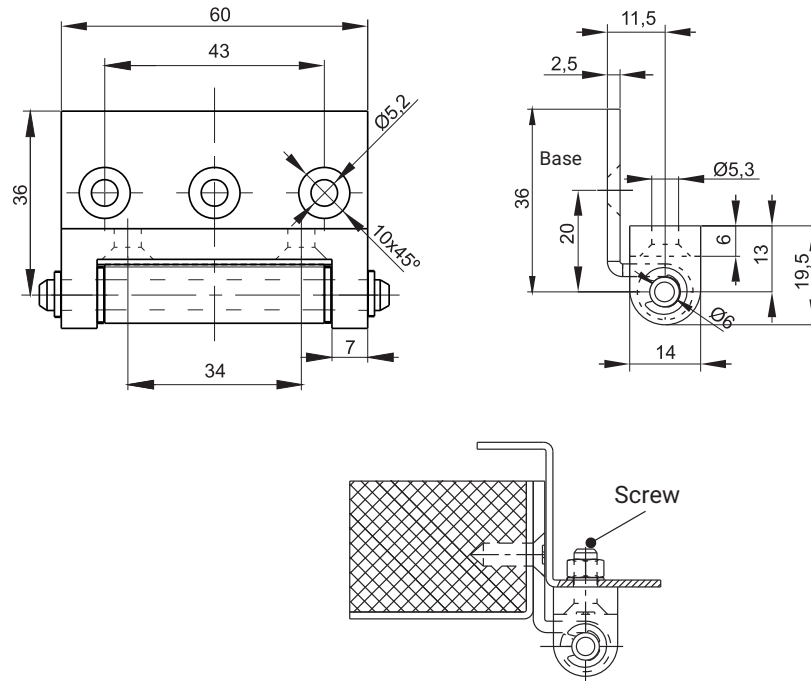


| CATALOGUE NUMBER | COMPONENTS | MATERIAL | FINISH [C] |
|------------------|--------------|-----------------|------------|
| | | | RAL 9005 |
| 3.ZN210.003 | Holder, Base | ZAMAK | 04 |
| | Pin | Stainless steel | - |

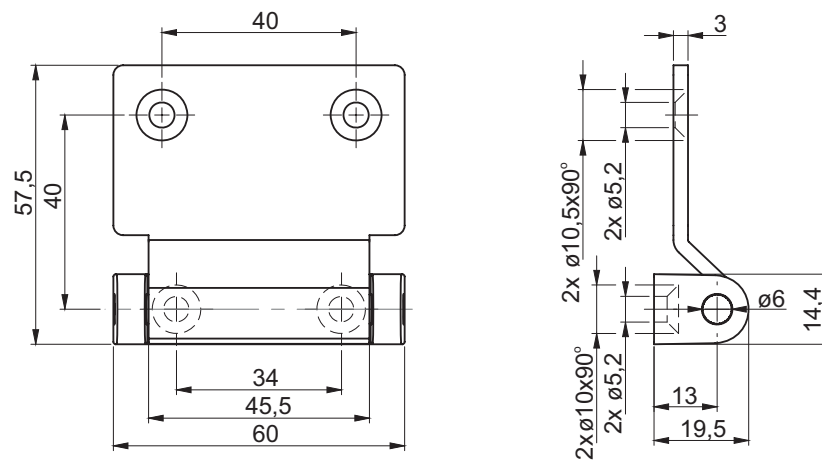


A - axis of the hinge with plastic sleeves.
 The hinge position can be adjusted in three axes - the adjustment ranges are shown in the drawing.
 Hinge cover 3.ZN210.002 to be ordered separately.

| CATALOGUE NUMBER | COMPONENTS | MATERIAL | FINISH [C] |
|------------------|--------------|-----------------|------------|
| | | | RAL 9005 |
| 3.ZN210.001 | Holder, Base | ZAMAK | 04 |
| | Pin | Stainless steel | - |
| 3.ZN210.002 | Hinge cover | Polyamide | 07 |



| CATALOGUE NUMBER | COMPONENTS | MATERIAL |
|------------------|------------|-------------------|
| 3.ST42.001 | Holder | Steel zinc plated |
| | Base | ZAMAK 5 |
| | Pin | Steel zinc plated |



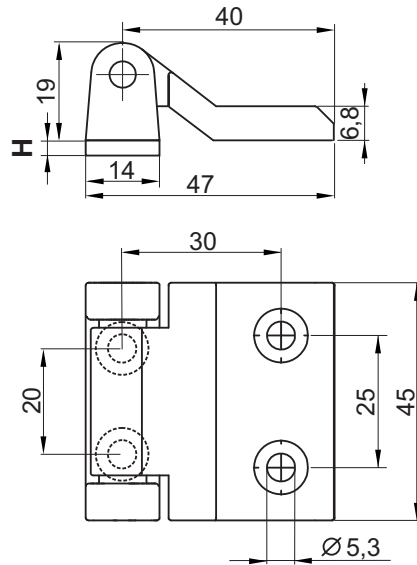
Note:

The hinge supplied as separate parts, handle with foot joint by pushing the pin after mounting the handle.

| CATALOGUE NUMBER | COMPONENTS | MATERIAL | FINISH [C] |
|------------------|------------|-------------------|------------|
| | | | RAL 9005 |
| 3.ST42.005 | Holder | Steel zinc plated | 04 |
| | Base | ZAMAK5 | |
| | Pin | Stainless steel | - |
| 3.ST42.005SN | Holder | Stainless steel | 04 |
| | Base | ZAMAK5 | |
| | Pin | Stainless steel | - |

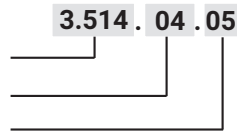
How to order:

Catalogue number 3.ST42.005 — C
 Finish

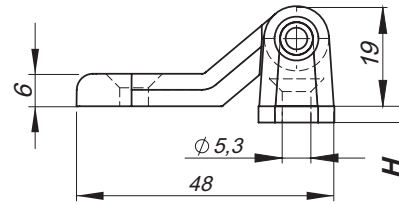


| CATALOGUE NUMBER | COMPONENTS | MATERIAL | FINISH [C] | |
|------------------|--------------|-------------------|------------|---------|
| | | | Chrome | RAL9005 |
| 3.514.C.X | Holder, Base | ZAMAK5 | 01 | 04 |
| | Pin | Steel zinc plated | - | - |

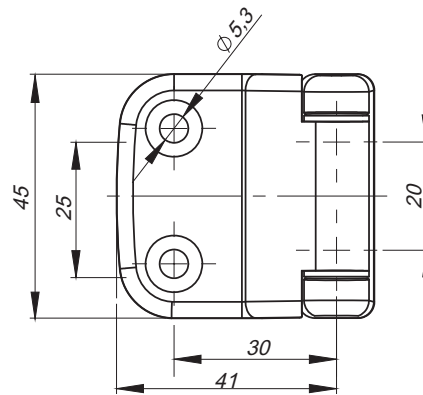
How to order :
Hinge code
Finish
Height H



| | | | | | | |
|---------------|----|----|----|----|----|----|
| H [mm] | 0 | 3 | 5 | 8 | 10 | 15 |
| X | 00 | 03 | 05 | 08 | 10 | 15 |

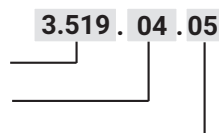


Height H
adjusted
by distance
rings



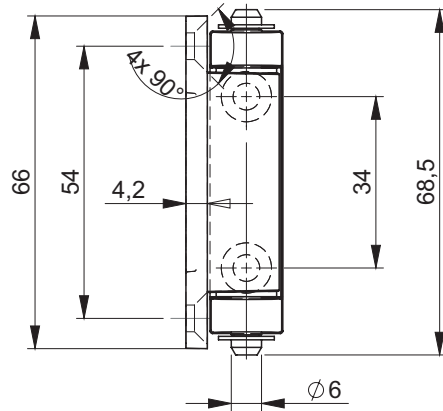
| CATALOGUE NUMBER | COMPONENTS | MATERIAL | FINISH [C] | |
|------------------|--------------|-----------------|------------|---------|
| | | | Chrome | RAL9005 |
| 3.519.C.X | Holder, Base | ZAMAK5 | 01 | 04 |
| | Pin | Stainless steel | - | - |
| | Sleeve | POM | - | - |

How to order :
Hinge code
Finish
Height H

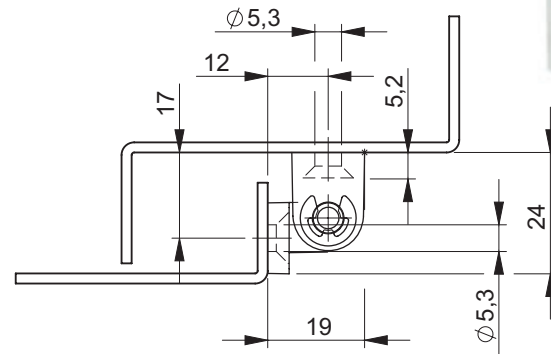


| | | | | | | |
|---------------|----|----|----|----|----|----|
| H [mm] | 0 | 3 | 5 | 8 | 10 | 15 |
| X | 00 | 03 | 05 | 08 | 10 | 15 |

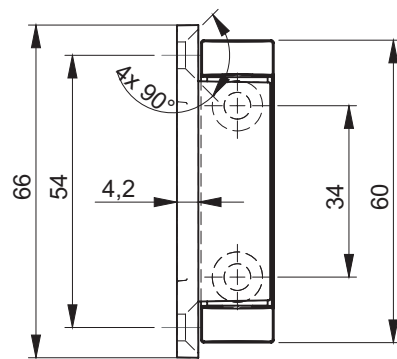
3.531.001



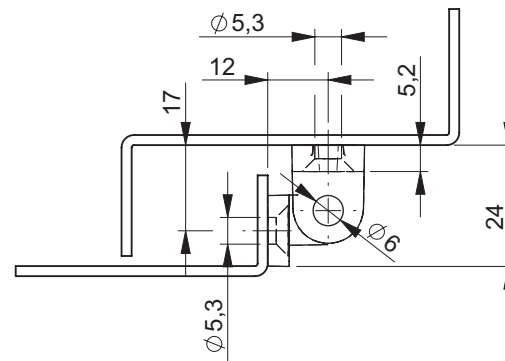
Insert fastening
Collecting plate



3.531.002



Insert fastening
Knurled

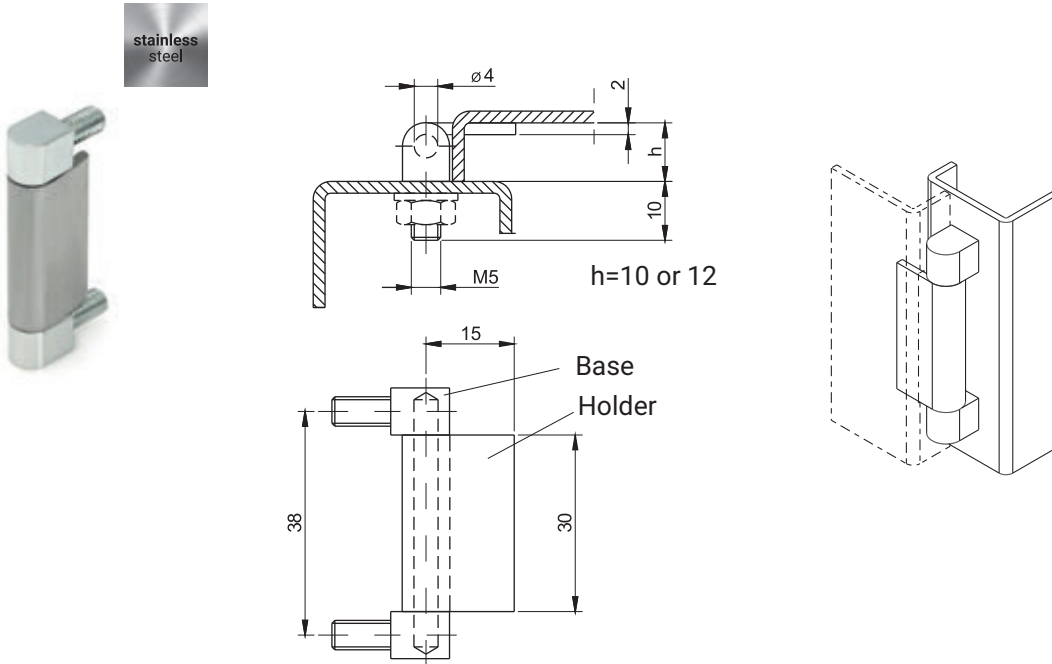


| CATALOGUE NUMBER | COMPONENTS | MATERIAL | FINISH [C] | |
|------------------|--------------|-------------------|------------|---------|
| | | | Chrome | RAL9005 |
| 3.531.001 | Holder, Base | ZAMAK 5 | 01 | 04 |
| 3.531.002 | Pin | Steel zinc plated | | |

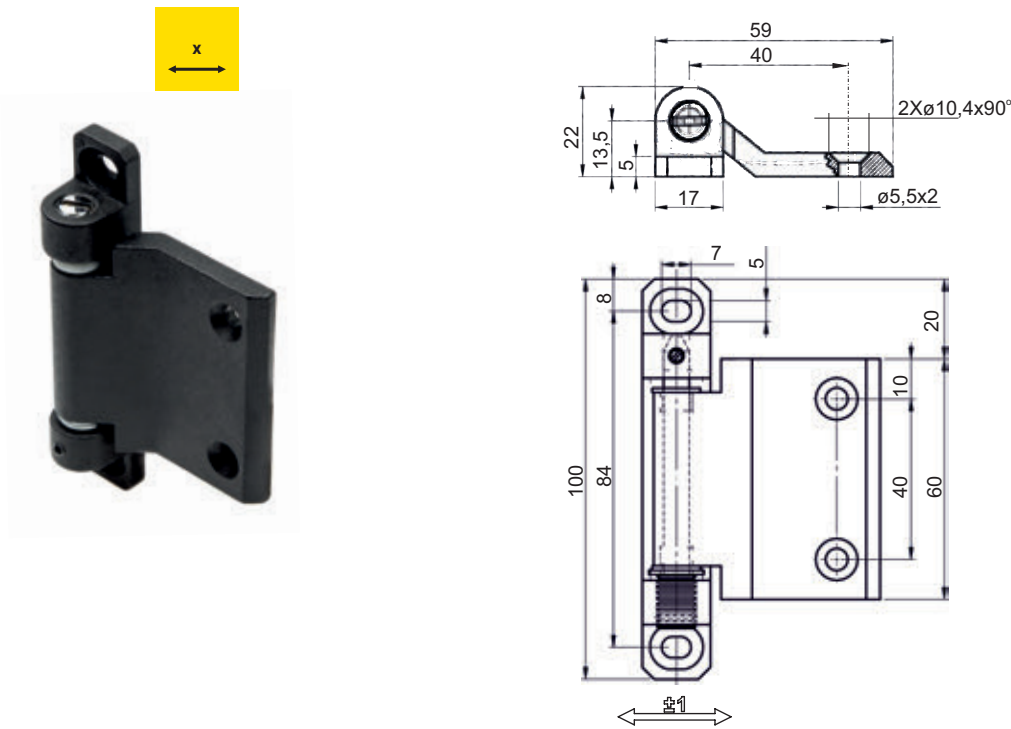
How to order:

Catalogue number
Finish

3.531.001 — C

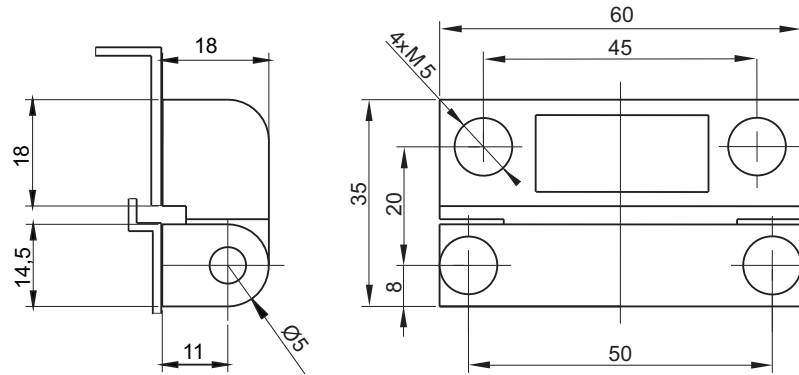


| CATALOGUE NUMBER | COMPONENTS | MATERIAL |
|------------------|------------|-------------------|
| 3.ST23.001 | Holder | Steel zinc plated |
| | Base, Pin | Steel zinc plated |
| 3.ST23.001SN | Holder | Stainless steel |
| | Base, Pin | Stainless steel |

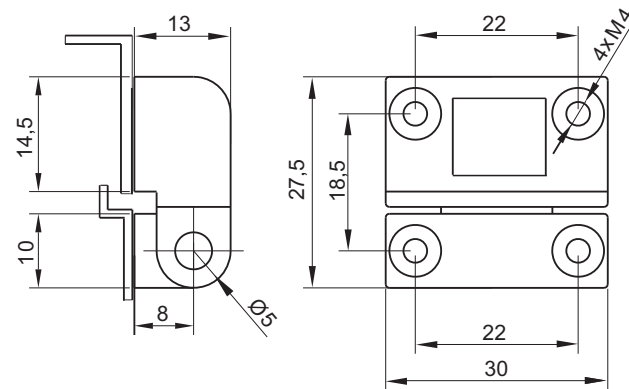


| CATALOGUE NUMBER | COMPONENTS | MATERIAL | FINISH [C] | |
|------------------|------------|----------|------------|----------|
| | | | Chrome | RAL 9005 |
| 3.535.001 | Holder | ZAMAK 5 | 01 | 04 |
| | Base | ZAMAK 5 | | |

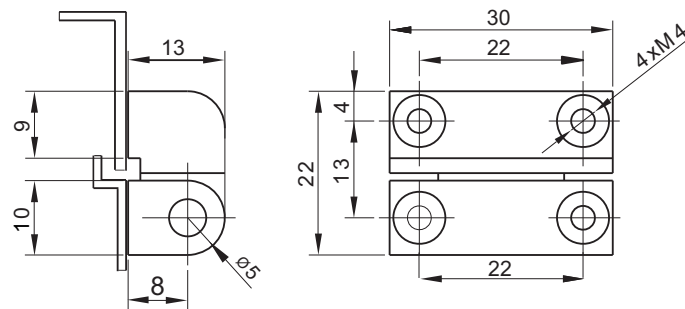
How to order: **3.535.001** — **C**
 Catalogue number —
 Finish —



| CATALOGUE NUMBER | COMPONENTS | MATERIAL | FINISH [C] | |
|------------------|--------------|-------------------|------------|---------|
| | | | Nickel | RAL9005 |
| 3.517.001 | Holder, Base | ZAMAK 5 | 04 | |
| | Pin | Steel zinc plated | - | - |

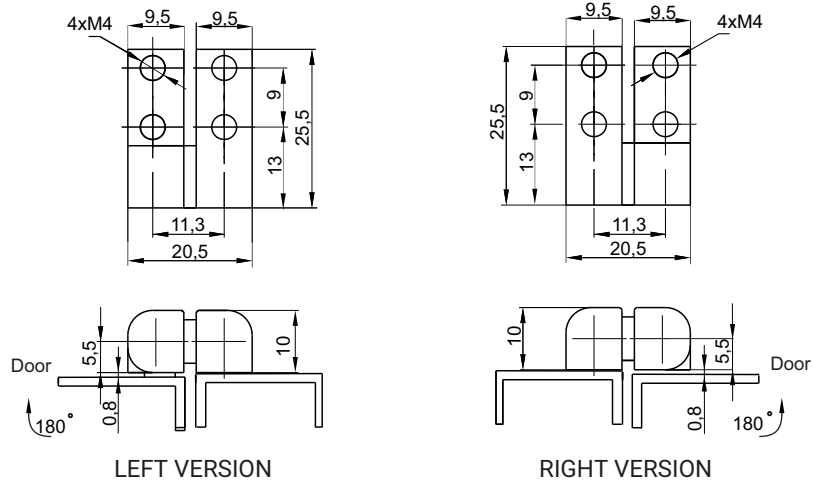


| CATALOGUE NUMBER | COMPONENTS | MATERIAL | FINISH [C] | |
|------------------|--------------|-------------------|------------|---------|
| | | | Nickel | RAL9005 |
| 3.517.002 | Holder, Base | ZAMAK 5 | 02 | 04 |
| | Pin | Steel zinc plated | - | - |

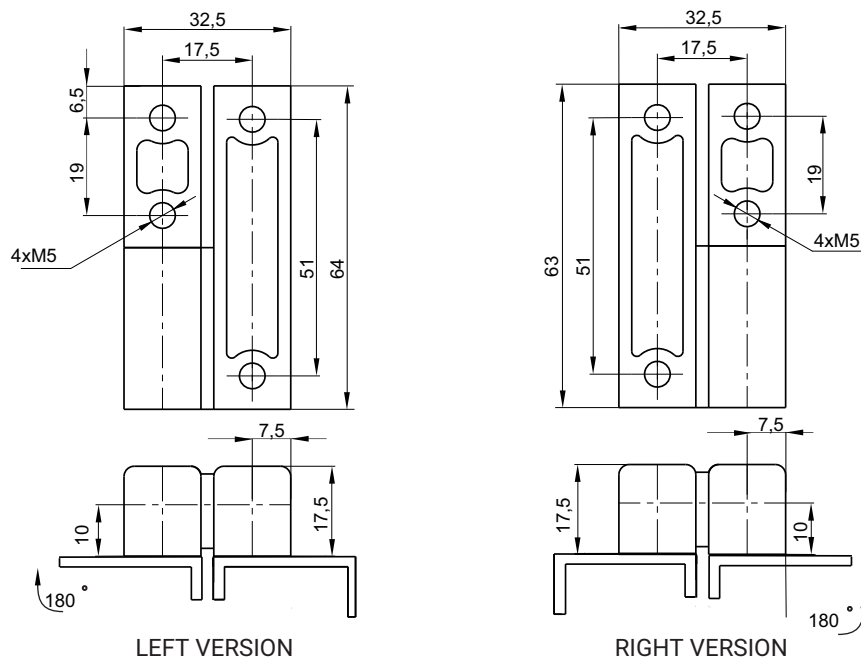


| CATALOGUE NUMBER | COMPONENTS | MATERIAL | FINISH [C] | |
|------------------|--------------|-------------------|------------|---------|
| | | | Nickel | RAL9005 |
| 3.517.003 | Holder, Base | ZAMAK 5 | 02 | 04 |
| | Pin | Steel zinc plated | - | - |

How to order:
 Catalogue number 3.517.001
 Finish C



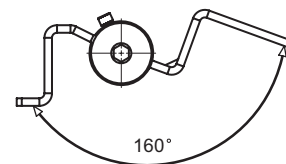
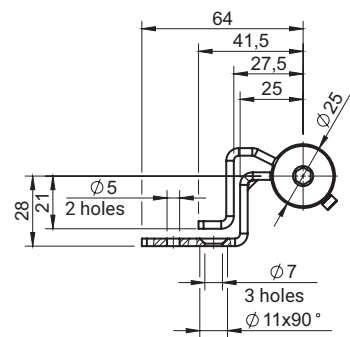
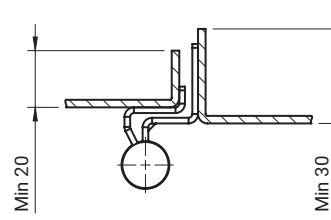
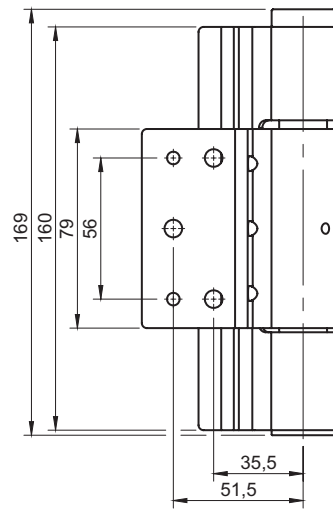
| CATALOGUE NUMBER | COMPONENTS | MATERIAL | FINISH [C] |
|------------------|--------------|-------------------|------------|
| | | | RAL 9005 |
| 3.518.001 | Holder, Base | ZAMAK 5 | 04 |
| | Pin | Steel zinc plated | |



| CATALOGUE NUMBER | COMPONENTS | MATERIAL | FINISH [C] |
|------------------|--------------|-------------------|------------|
| | | | RAL 9005 |
| 3.518.002 | Holder, Base | ZAMAK 5 | 04 |
| | Pin | Steel zinc plated | |

How to order:





Closed position

Open position

| CATALOGUE NUMBER | VERSION | COMPONENTS | MATERIAL |
|------------------|--------------|-------------------|-------------------|
| 3.ST109.001-A | Spring hinge | Holder, Base, Pin | Steel zinc plated |
| 3.ST109.001-B | KO hinge | | |

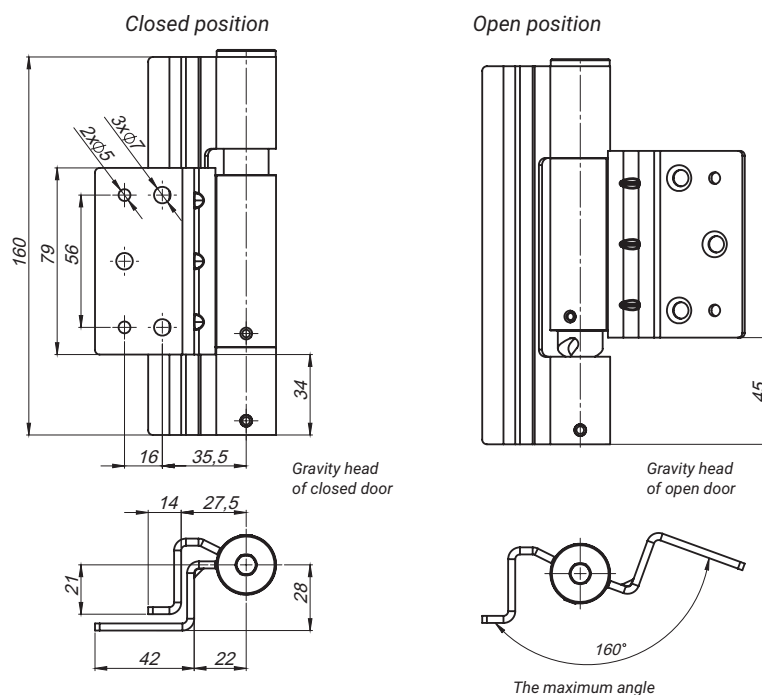
where:

3.ST109.001-A - spring hinge causing self-locking

3.ST109.001-B - support hinge - without spring

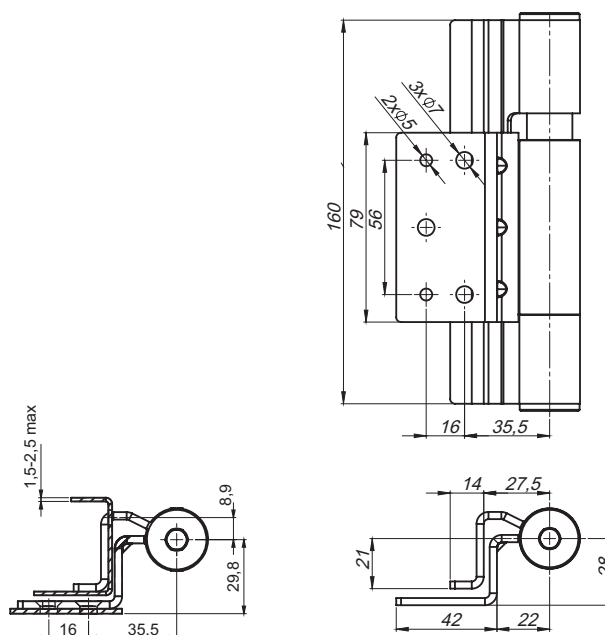
3.ST109.003-A

Right version



| CATALOGUE NUMBER | VERSION | COMPONENTS | MATERIAL |
|------------------|---------|--------------|-------------------|
| 3.ST109.003-A | Right | Handle, base | Steel zinc plated |
| 3.ST109.003-B | Left | | |

Bearing hinge causes automatic door closure and lifting the door while opening.
The set of hinges is 3.ST109.003 + 3.ST109.004 or two hinges 3.ST109.003
Left version is the mirror image of the right version.



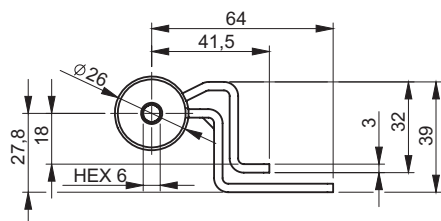
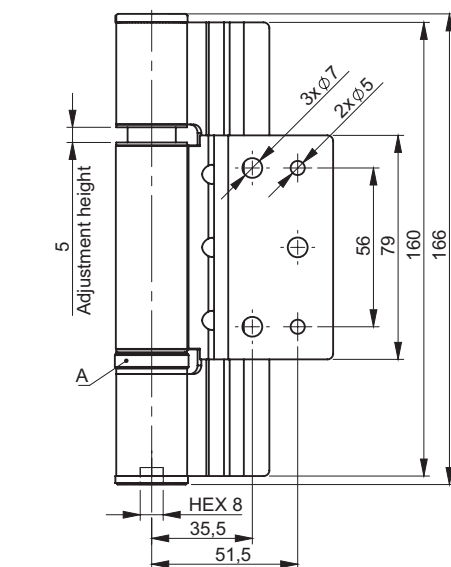
| CATALOGUE NUMBER | COMPONENTS | MATERIAL |
|------------------|--------------|-------------------|
| 3.ST109.004 | Handle, base | Steel zinc plated |

The positioning hinge in door axis cooperates only with the hinge 3.ST109.003

Fire door hinges with height regulation on thread

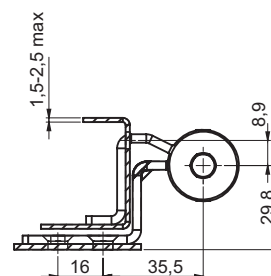
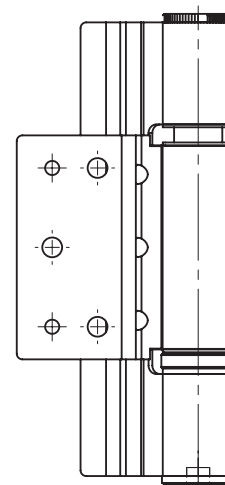
3.ST109.007-B

Left version



3.ST109.007-A

Right version



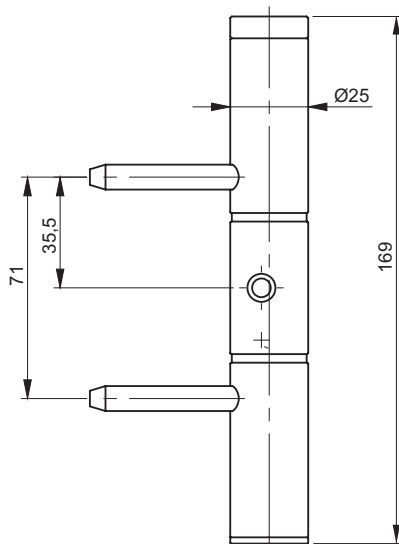
| CATALOGUE NUMBER | VERSION | COMPONENTS | MATERIAL |
|------------------|---------|-------------------|-------------------|
| 3.ST109.007-A | Right | Holder, Base, Pin | Steel zinc plated |
| 3.ST109.007-B | Left | | |

A - thrust bearing
 Max. load: 80kg
 Hinge welded to door frame and screwed into a door
 Hinge 3.ST109.007 is compatible with spring hinge 3.ST109.001-A

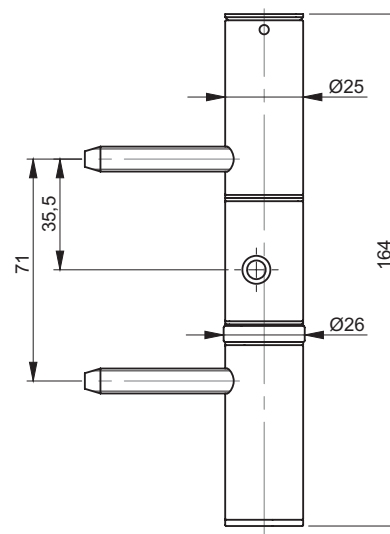


3.ST109.100

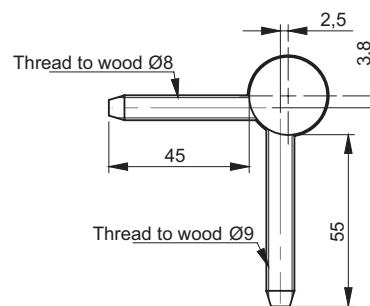
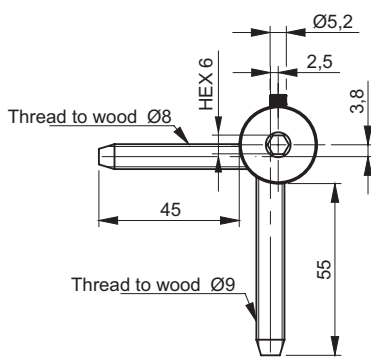
3.ST109.100



3.ST109.101



3.ST109.101

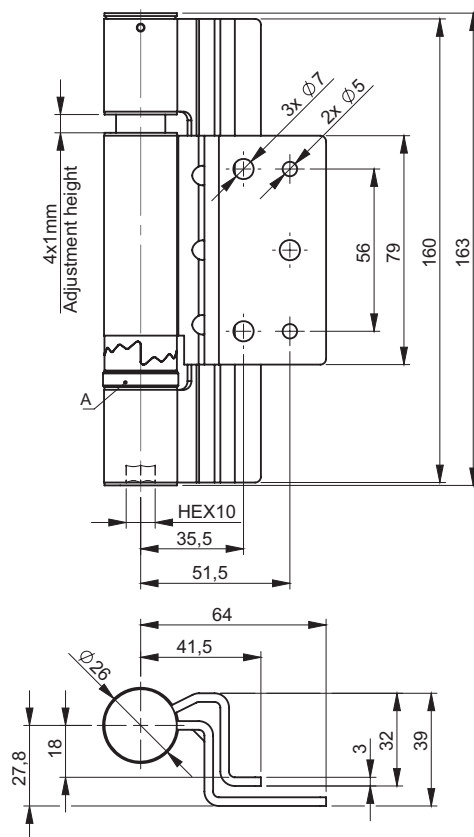


| CATALOGUE NUMBER | DETAIL | COMPONENTS | MATERIAL |
|------------------|--------------|--------------|-------------------|
| 3.ST109.100 | Spring hinge | Holder, Base | Steel zinc plated |
| 3.ST109.101 | KO hinge | | |

Fire door hinges with height regulation

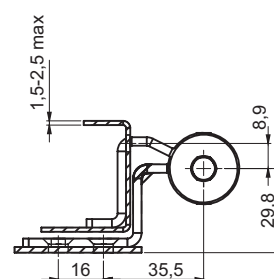
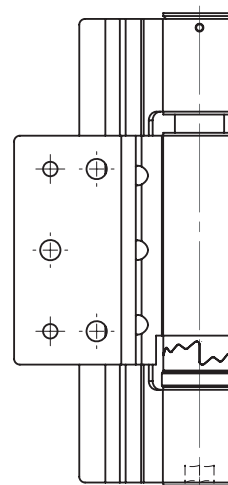
3.ST109.009-B

Left version



3.ST109.009-A

Right version



| CATALOGUE NUMBER | VERSION | COMPONENTS | MATERIAL |
|------------------|---------|-------------------|-------------------|
| 3.ST109.009-A | Right | Holder, Base, Pin | Steel zinc plated |
| 3.ST109.009-B | Left | | |

A - thrust bearing

Max. load: 80kg

Hinge welded to door frame and screwed into a door

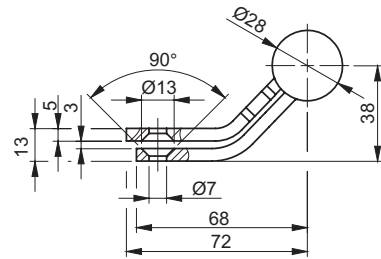
4-stage height adjustment, each stage lifts or lowers the door of 1mm

Hinge 3.ST109.009 is compatible with spring hinge 3.ST109.001-A

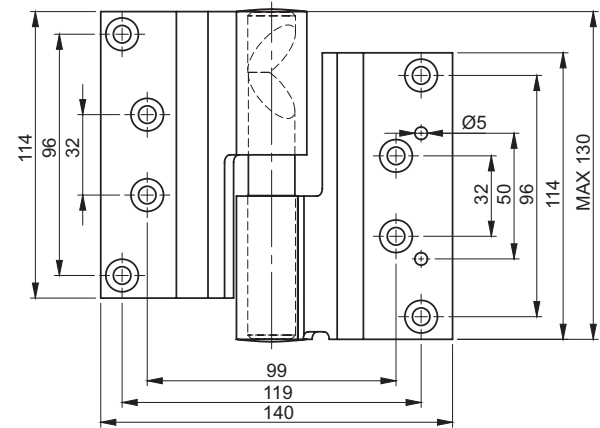
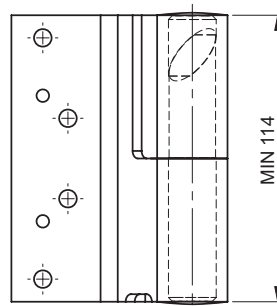
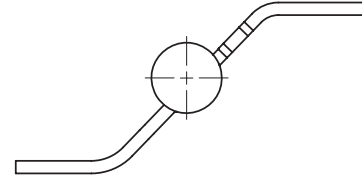


3.ST125.001

Right version - open position

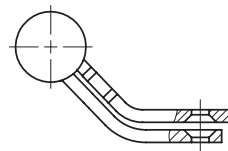


Left version - open position

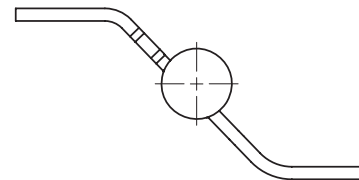


3.ST125.002

Right version - closed position



Right version - open position



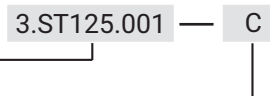
| CAT. NUMBER | VERSION | COMPONENTS | MATERIAL | FINISH [C] |
|-------------|---------|--------------|--------------|------------|
| | | | | Chrome |
| 3.ST125.001 | Left | Door, Insert | Carbon steel | 01 |
| 3.ST125.002 | Right | | | |

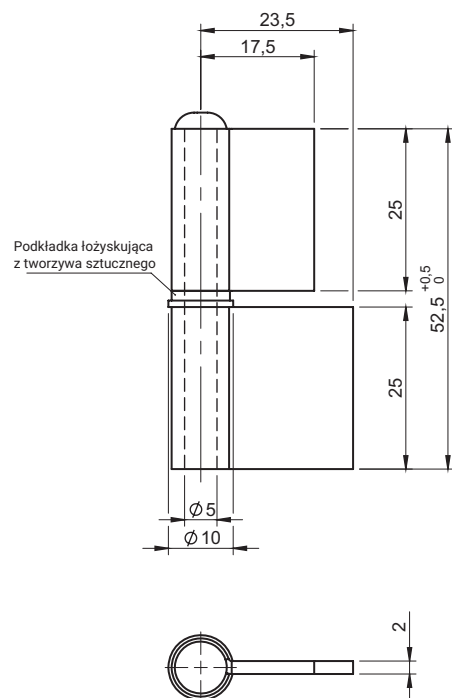
Left version is the mirror image of the right version

How to order:

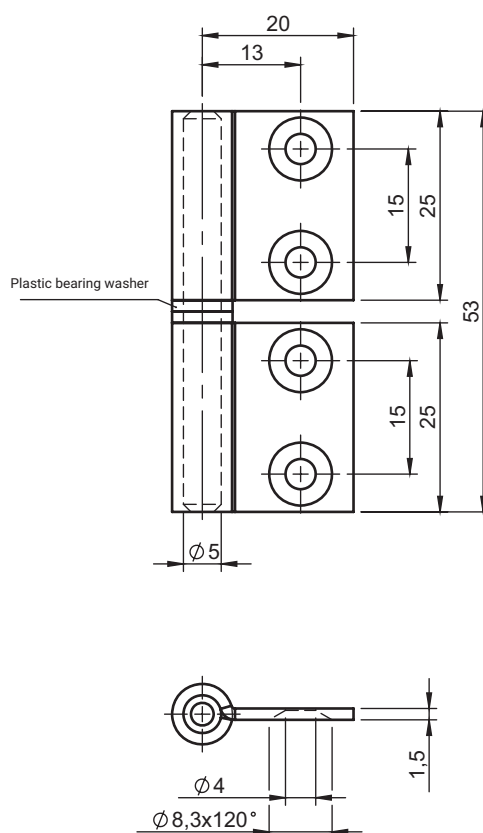
Catalogue number

Finish





| CATALOGUE NUMBER | COMPONENTS | MATERIAL |
|------------------|-------------------|-----------------|
| 3.ST127.001SN | Holder, Base, Pin | Stainless steel |



Hinge pin welded into one of the wings during final assembly.
Hinge supplied in a sets of parts.

| CATALOGUE NUMBER | COMPONENTS | MATERIAL |
|------------------|-------------------|-----------------|
| 3.ST127.002SN | Holder, Base, Pin | Stainless steel |

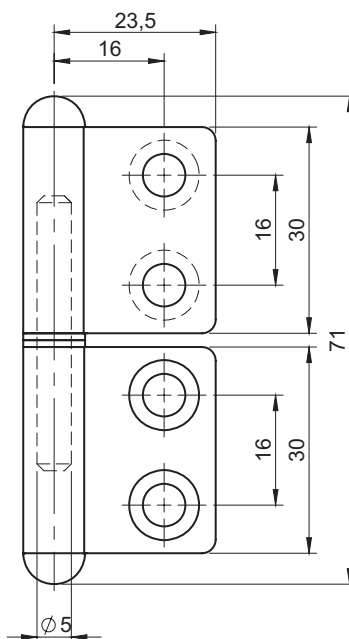


LEFT HINGE

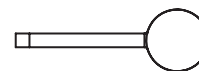
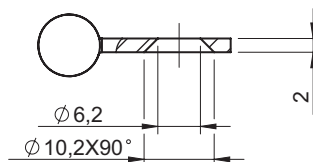
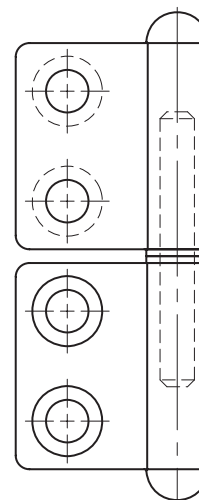


RIGHT HINGE

LEFT HINGE
3.ST127.003SN - B



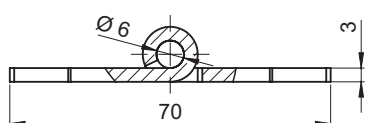
RIGHT HINGE
3.ST127.003SN - A



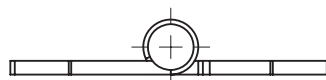
| CATALOGUE NUMBER | VERSION | COMPONENTS | MATERIAL |
|------------------|---------|-------------------|-----------------|
| 3.ST127.003SN-A | Right | Holder, Base, Pin | Stainless steel |
| 3.ST127.003SN-B | Left | | |



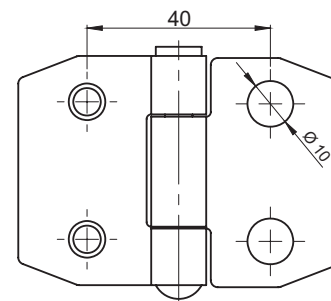
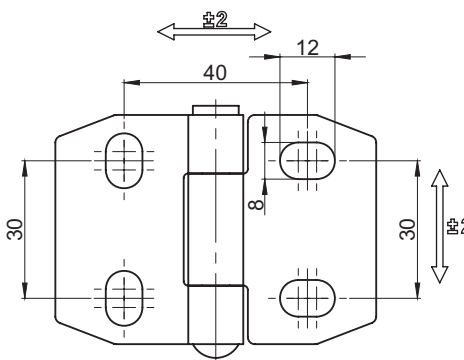
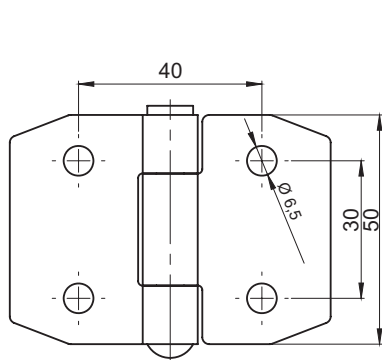
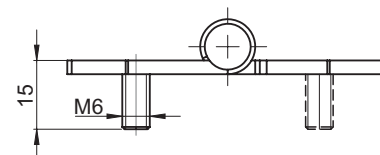
3.ST30.001
3.ST30.001SN



3.ST30.005

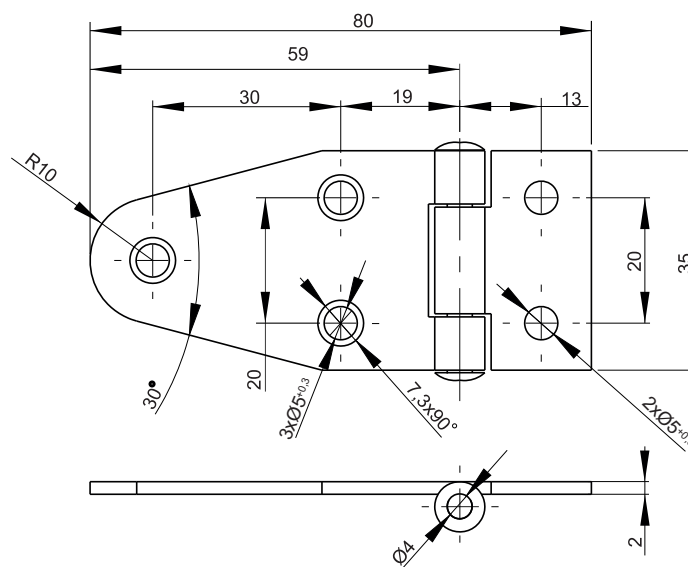


3.ST30.008
3.ST30.010



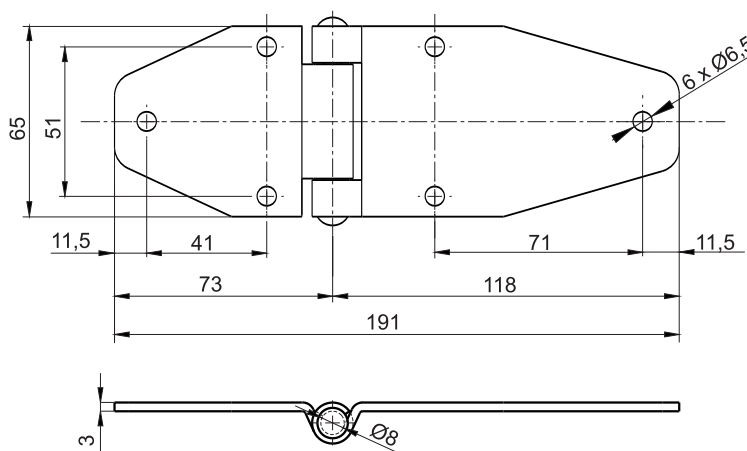
| CATALOGUE NUMBER | VERSION | COMPONENTS | MATERIAL |
|---------------------|---------------------|-------------------|-------------------|
| 3.ST30.001 | 4x Ø 6,5 | Holder, Base | Steel zinc plated |
| | | Pin | Stainless steel |
| 3.ST30.001SN | | Holder, Base, Pin | Stainless steel |
| 3.ST30.005 | 4x 8x12 | Holder, Base | Steel zinc plated |
| | | Pin | Stainless steel |
| 3.ST30.008 | 2x M6x15 2x Ø 10 | Holder, Base | Steel zinc plated |
| | | Pin | Stainless steel |
| 3.ST30.010 | 4x M6x15 | Holder, Base | Steel zinc plated |
| | | Pin | Stainless steel |

stainless steel

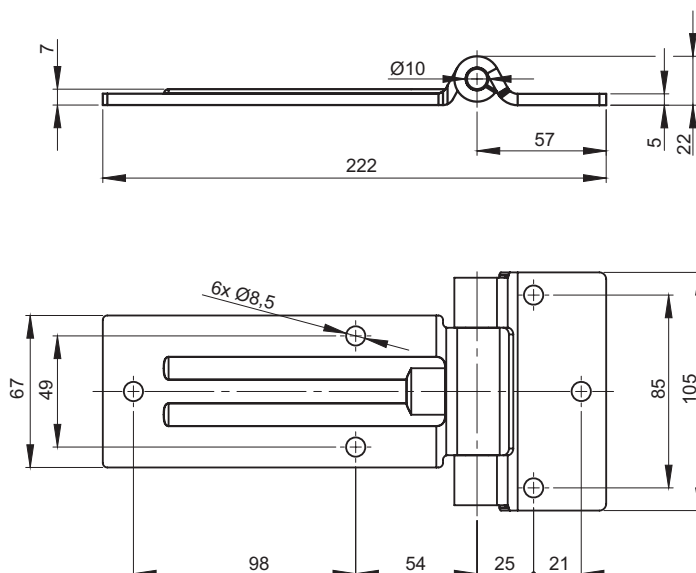


| CATALOGUE NUMBER | COMPONENTS | MATERIAL |
|------------------|-------------------|-------------------|
| 3.ST35-1.001 | Holder, Base, Pin | Steel zinc plated |
| 3.ST35-1.001SN | Holder, Base, Pin | Stainless steel |

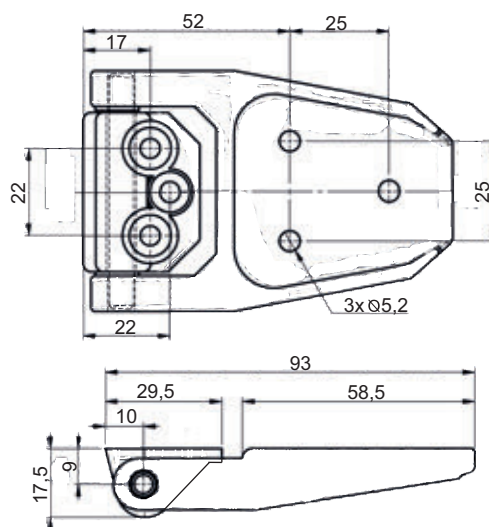
stainless steel



| CATALOGUE NUMBER | COMPONENTS | MATERIAL |
|------------------|-------------------|-------------------|
| 3.ST35.001 | Holder, Base, Pin | Steel zinc plated |
| 3.ST35.001SN | Holder, Base, Pin | Stainless steel |

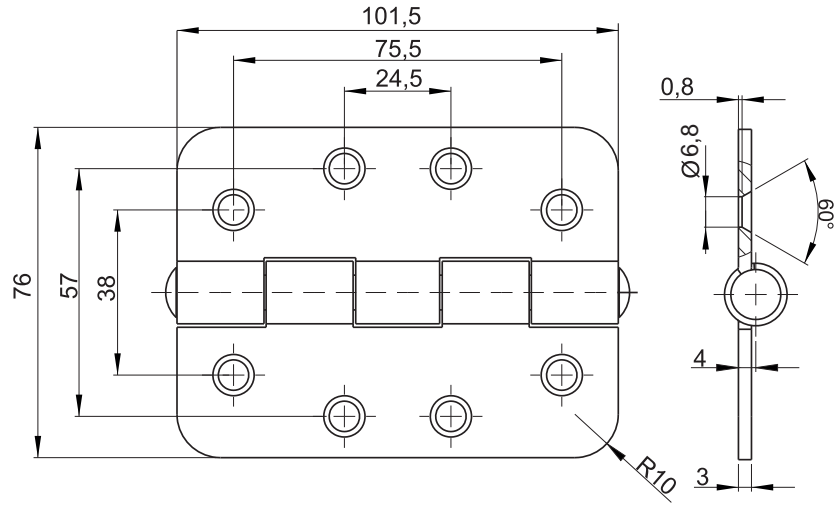


| CATALOGUE NUMBER | COMPONENTS | MATERIAL |
|------------------|-------------------|--------------------------|
| 3.ST133.001 | Holder, Base, Pin | Stainless steel polished |



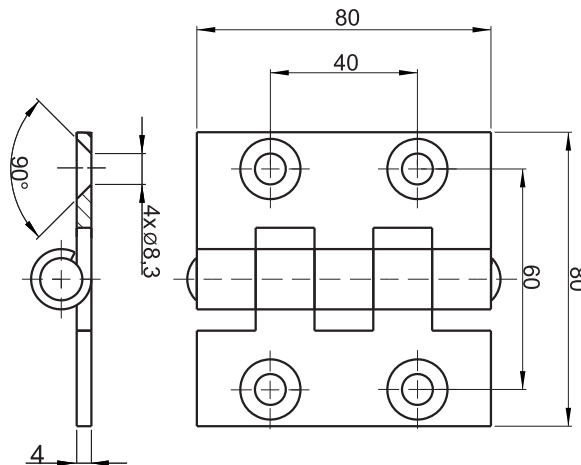
| CATALOGUE NUMBER | COMPONENTS | MATERIAL | FINISH [C] |
|------------------|--------------|-----------|------------|
| | | | RAL 9005 |
| 3.534.001 | Holder, Base | Polyamide | 07 |
| | Pin | Polyamide | |

stainless steel

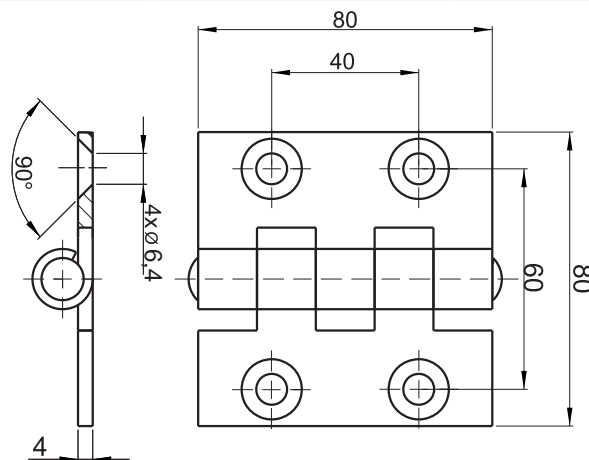


| CATALOGUE NUMBER | COMPONENTS | MATERIAL |
|------------------|--------------|-----------------|
| 3.ST35-2.002 | Holder, Base | Stainless steel |
| | Pin | Stainless steel |

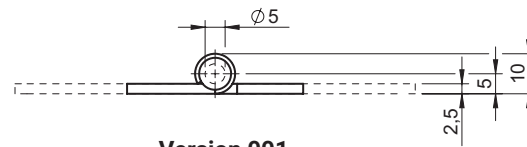
Hinge available with beveled holes or without.



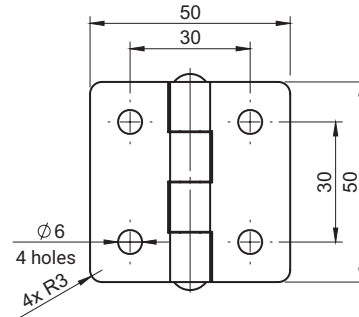
| CATALOGUE NUMBER | COMPONENTS | MATERIAL |
|------------------|--------------|-------------------|
| 3.ST58.001 | Holder, Base | Steel zinc plated |
| | Pin | Stainless steel |



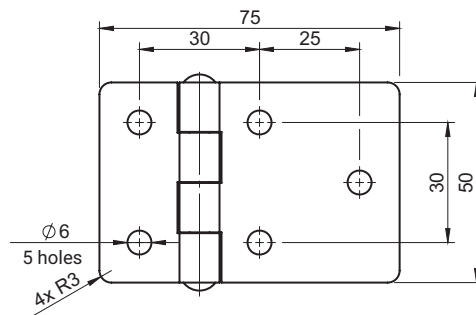
| CATALOGUE NUMBER | COMPONENTS | MATERIAL |
|------------------|--------------|-------------------|
| 3.ST58.002 | Holder, Base | Steel zinc plated |
| | Pin | Stainless steel |



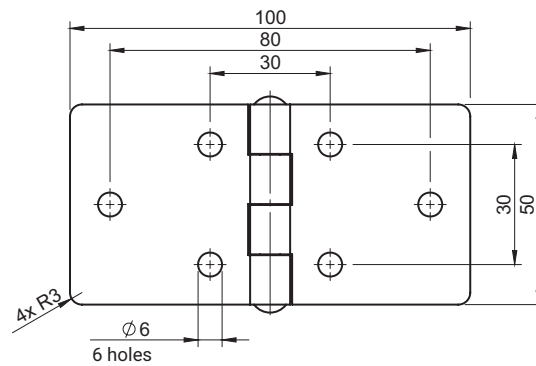
Version 001



Version 002



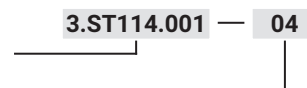
Version 003

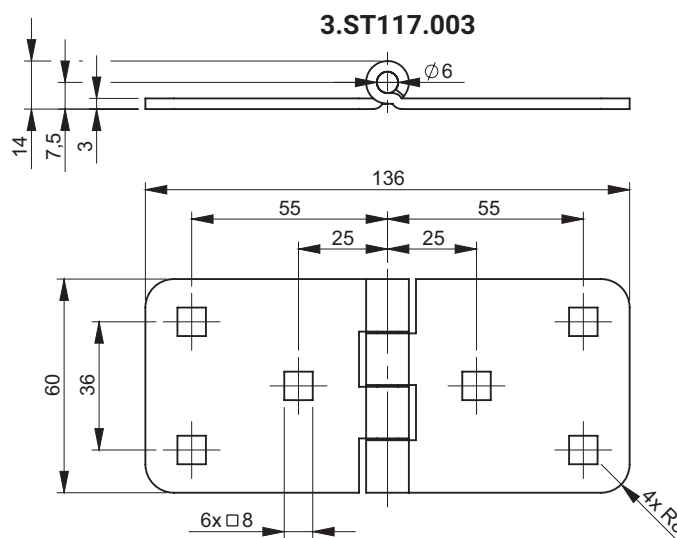
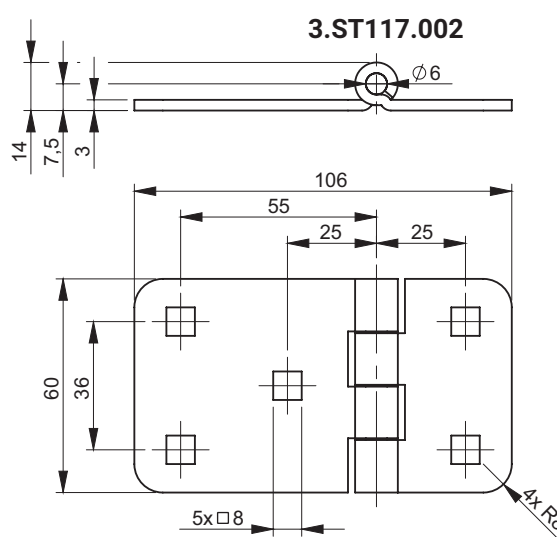
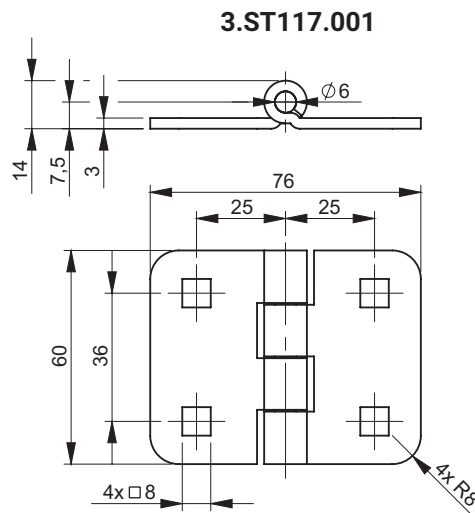


| CATALOGUE NUMBER | COMPONENTS | MATERIAL | FINISH [C] | | |
|---|-------------------|-----------------|------------|------------|----------|
| | | | No finish | Galvanized | RAL 9005 |
| 3.ST114.001 3.ST114.002 3.ST114.003 | Holder, Base | Steel | - | 01 | 04 |
| | Pin | Stainless steel | - | - | - |
| 3.ST114.001SN 3.ST114.002SN 3.ST114.003SN | Holder, Base, Pin | Stainless steel | 00 | - | - |

How to order:

Catalogue number
Finish [C]

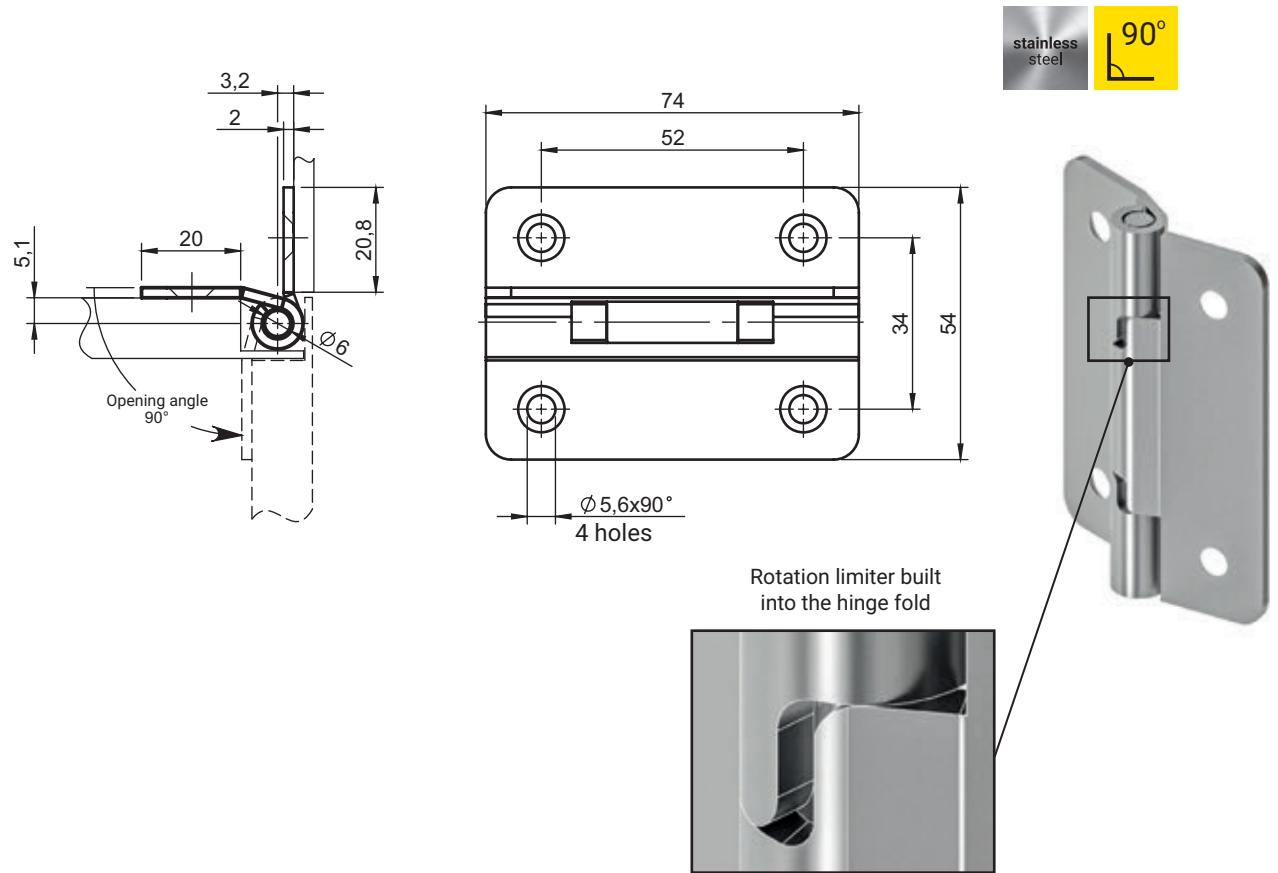




| CATALOGUE NUMBER | COMPONENTS | MATERIAL |
|---|----------------------------|-------------------|
| 3.ST117.001 3.ST117.002 3.ST117.003 | Holder, Base, DIN603 M8x16 | Steel zinc plated |
| | Pin | Stainless steel |

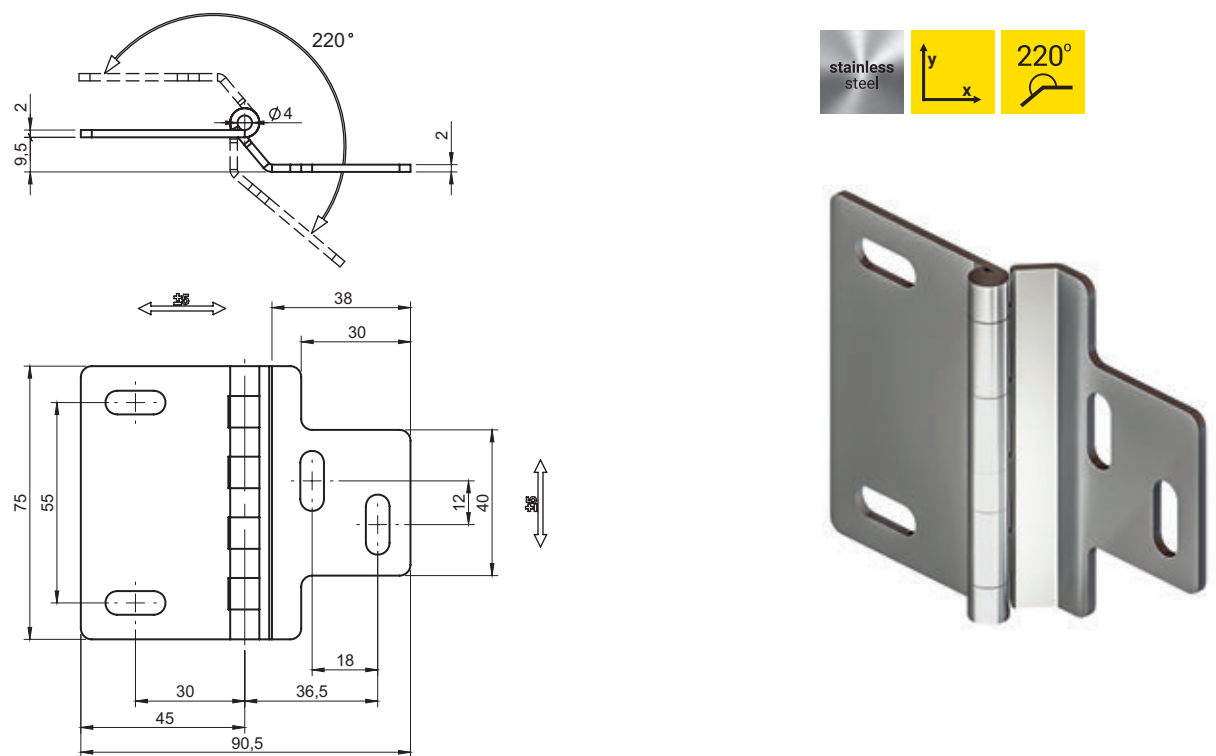
Hinge sold together with set of screws DIN 603 M8x16

Hinge with an opening angle limiter 3.ST145 Hinge 3.ST146



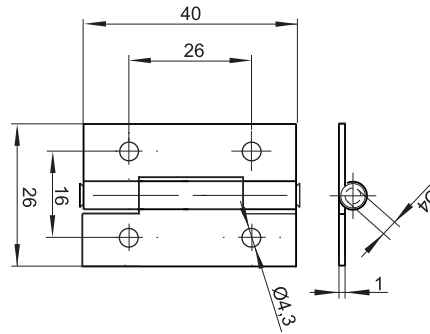
Hinge with an opening angle limiter up to 90°.

| CATALOGUE NUMBER | COMPONENTS | MATERIAL |
|------------------|-------------------|-----------------|
| 3.ST145.001SN | Holder, Base, Pin | Stainless steel |

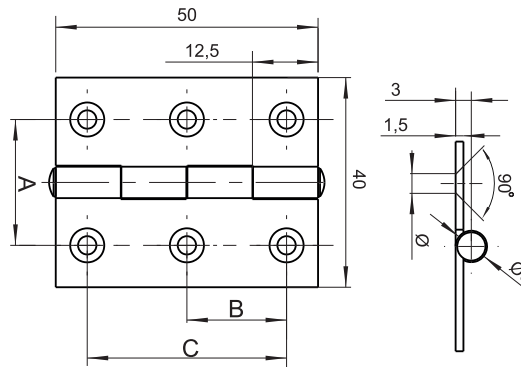


Hinge with two-way position adjustment

| CATALOGUE NUMBER | MATERIAL |
|------------------|-----------------|
| 3.ST146.001SN | Stainless steel |



| CATALOGUE NUMBER | COMPONENTS | MATERIAL |
|------------------|-------------------|-------------------|
| 3.ST37.001 | Holder, Base, Pin | Steel zinc plated |
| 3.ST37.001SN | Holder, Base, Pin | Stainless steel |



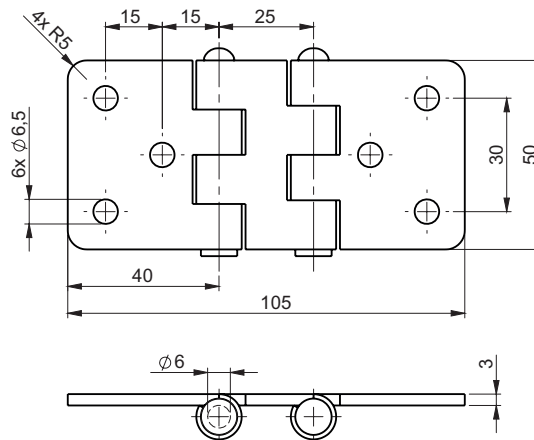
| CATALOGUE NO. | X | Ø | A | B | C | where: |
|-----------------------------|----|-------|----|------|----|---------------------------------|
| 3.ST48.00X 3.ST48.00X SN | 1 | 4,7mm | 24 | 19 | 38 | X - indication of the hinge |
| | 2 | 5mm | 23 | 17,5 | 35 | * -no chamfer on mounting holes |
| | 3* | 4mm | 23 | 17,5 | 35 | |

| CATALOGUE NUMBER | COMPONENTS | MATERIAL | FINISH [C] | |
|------------------|-------------------|-------------------|------------|----------|
| | | | RAL 9005 | RAL 7035 |
| 3.ST48.00X | Holder, Base, Pin | Steel zinc plated | 04 | 05 |
| 3.ST48.00X SN | Holder, Base, Pin | Stainless steel | - | - |

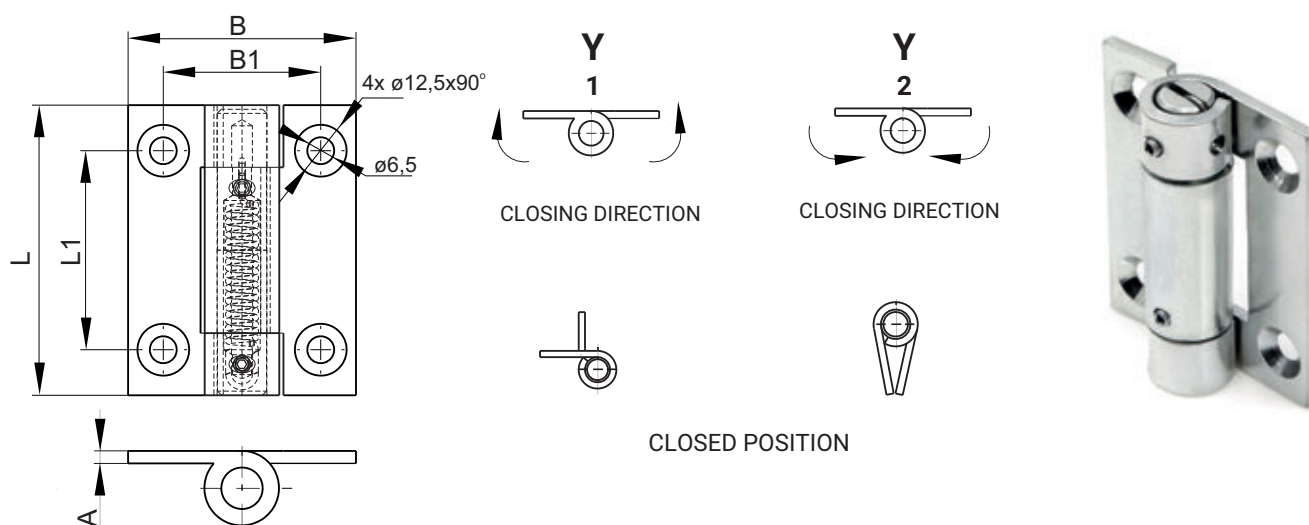
How to order:

Catalogue number _____
Finish _____

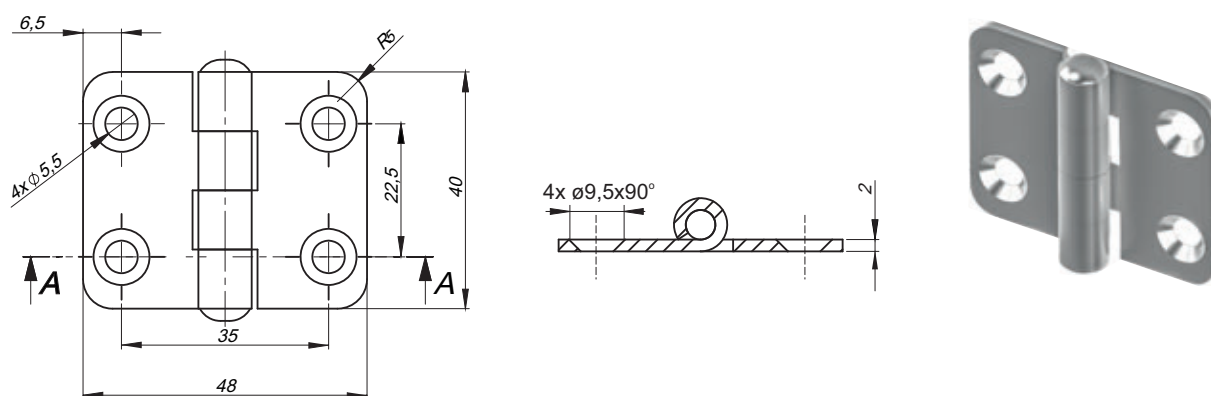
3.ST48.00X — C



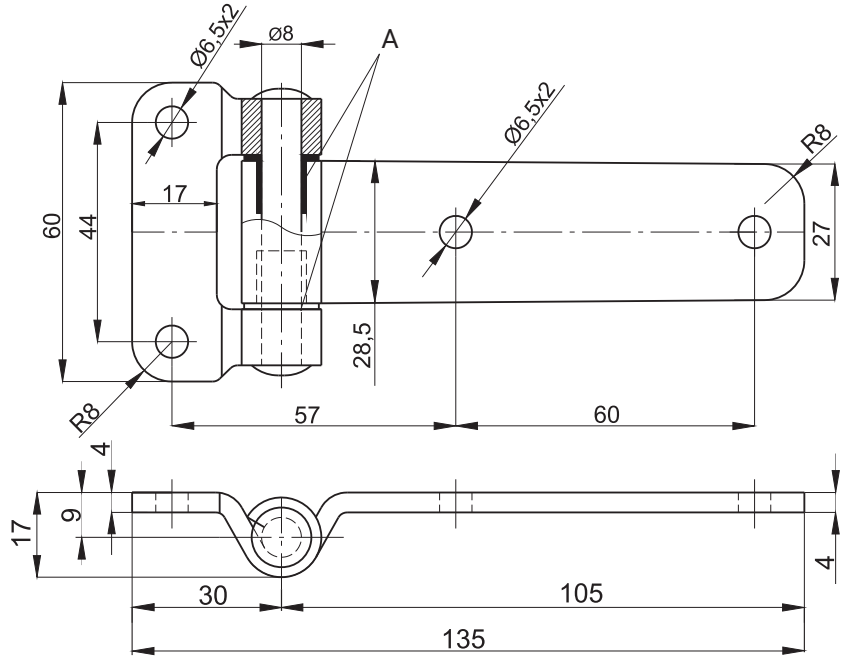
| CATALOGUE NUMBER | COMPONENTS | MATERIAL |
|------------------|-------------------|-------------------|
| 3.ST55.001 | Holder, Base, Pin | Steel zinc plated |
| 3.ST55.001SN | Holder, Base, Pin | Stainless steel |



| HINGE | X | A | L | L1 | B | B1 |
|------------------|--------------|---|-------------------|----|----|----|
| 3.ST108.X0Y | 1 | 3 | 70 | 48 | 55 | 38 |
| | 2 | 3 | 80 | 60 | 65 | 45 |
| | 3 | 3 | 60 | 36 | 76 | 56 |
| CATALOGUE NUMBER | COMPONENTS | | MATERIAL | | | |
| 3.ST108.001 | Holder, Base | | Steel zinc plated | | | |
| | Pin | | Steel zinc plated | | | |

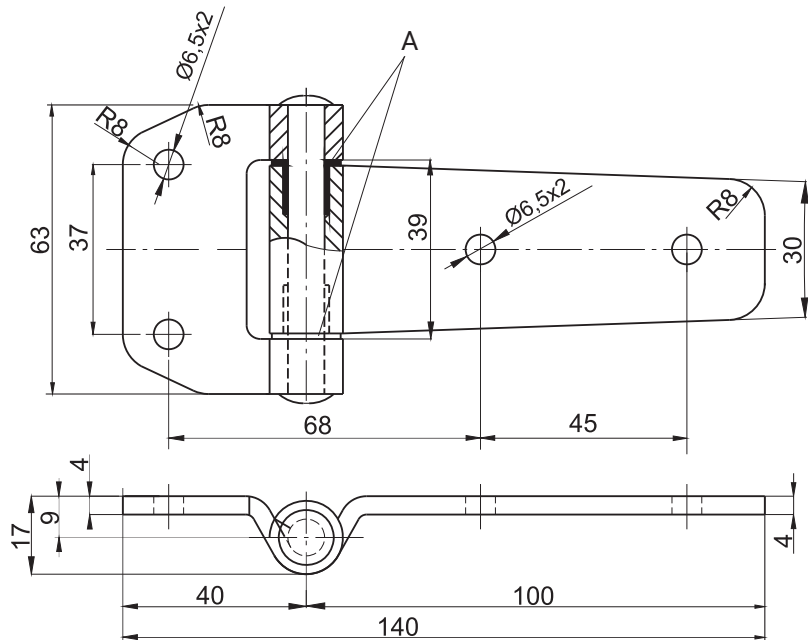


| CATALOGUE NUMBER | COMPONENTS | MATERIAL |
|------------------|--------------|------------------------|
| 3.ST28.001 | Holder, Base | Stainless steel 1.4301 |
| | Pin | Stainless steel 1.4301 |



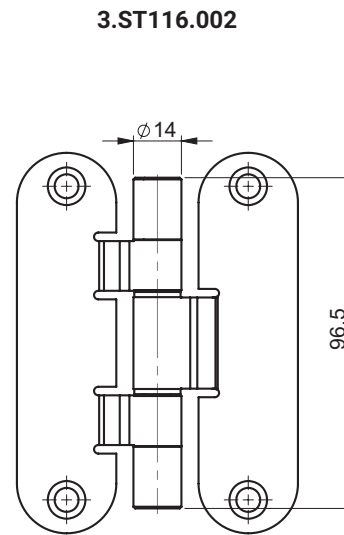
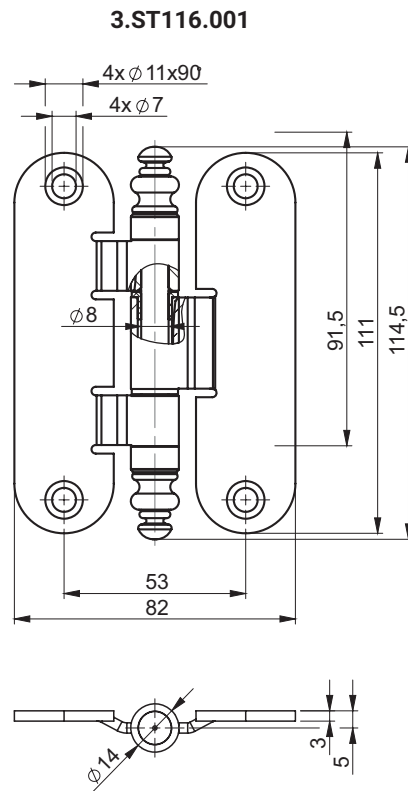
| CATALOGUE NUMBER | COMPONENTS | MATERIAL | FINISH [C] |
|------------------|-------------------|-------------------|------------|
| | | | RAL 9005 |
| 3.ST56.002 | Holder, Base | Steel zinc plated | 04 |
| | Pin | Stainless steel | |
| 3.ST56.002SN | Holder, Base, Pin | Stainless steel | - |

A - plastic washers



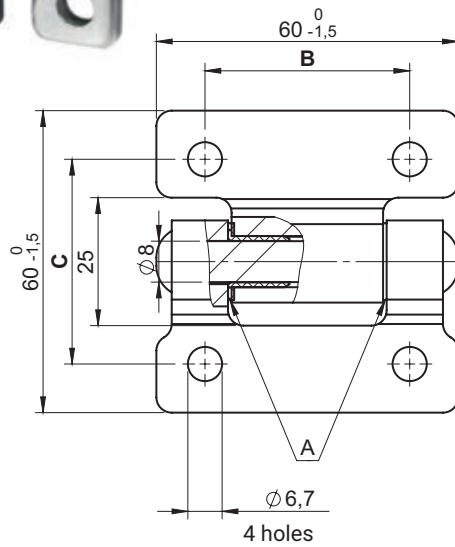
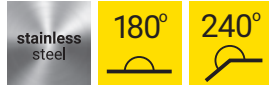
| CATALOGUE NUMBER | COMPONENTS | MATERIAL | FINISH [C] |
|------------------|-------------------|-------------------|------------|
| | | | RAL 9005 |
| 3.ST56.100 | Holder, Base | Steel zinc plated | 04 |
| | Pin | Stainless steel | |
| 3.ST56.100SN | Holder, Base, Pin | Stainless steel | - |

A - plastic washers



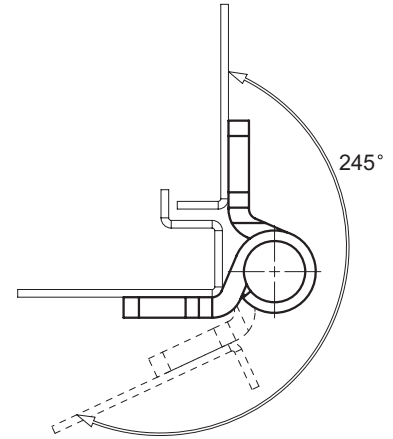
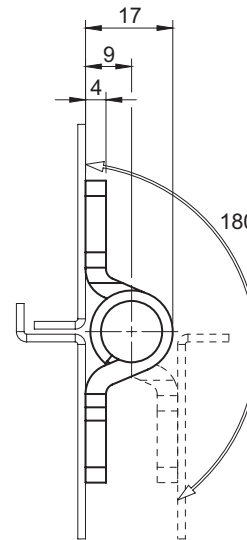
A - plastic bushing

| CATALOGUE NUMBER | COMPONENTS | MATERIAL | FINISH |
|------------------|-------------------|----------|------------------------|
| 3.ST116.001.01 | Holder, Base, Cap | Steel | Zinc plated + enamel |
| | Pin | | Zinc plated |
| 3.ST116.001.02 | Holder, Base, Cap | | Copper plated + enamel |
| | Pin | | Zinc plated |
| 3.ST116.002.01 | Holder, Base, Cap | | Zinc plated + enamel |
| | Pin | | Zinc plated |
| 3.ST116.002.02 | Holder, Base, Cap | | Copper plated + enamel |
| | Pin | | Zinc plated |



Version .001 .002

Version .003 .004

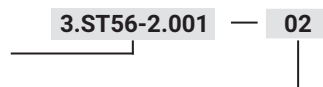


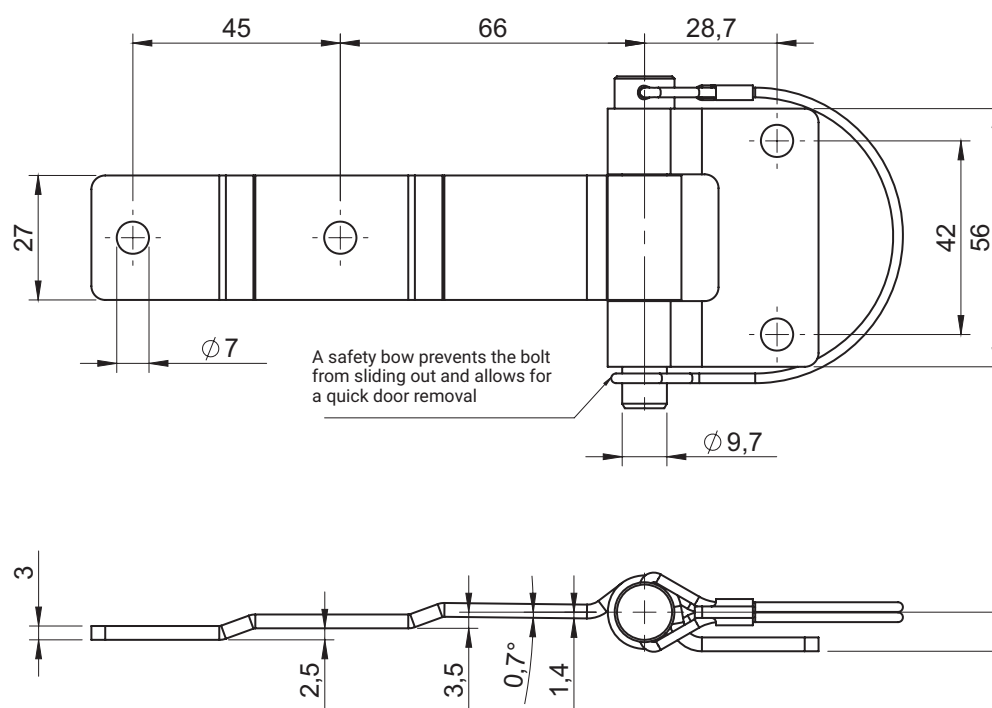
A - plastic bushing

| CATALOGUE NUMBER | DIMENSION | | COMPONENTS | MATERIAL | FINISH [C] |
|------------------|-----------|----|-------------------|--------------------------------------|------------|
| | B | C | | | RAL 9005 |
| 3.ST56-2.001 | 40 | 40 | Holder, Base, Pin | Steel zinc plated Stainless steel | 02 |
| 3.ST56-2.003 | | | | | |
| 3.ST56-2.002 | | | | | |
| 3.ST56-2.004 | 44 | 43 | | | |
| 3.ST56-2.001SN | 40 | 40 | Holder, Base, Pin | Stainless steel | Brak |
| 3.ST56-2.003SN | | | | | |
| 3.ST56-2.002SN | | | | | |
| 3.ST56-2.004SN | | | | | |

How to order:

Catalogue number
Finish [C]

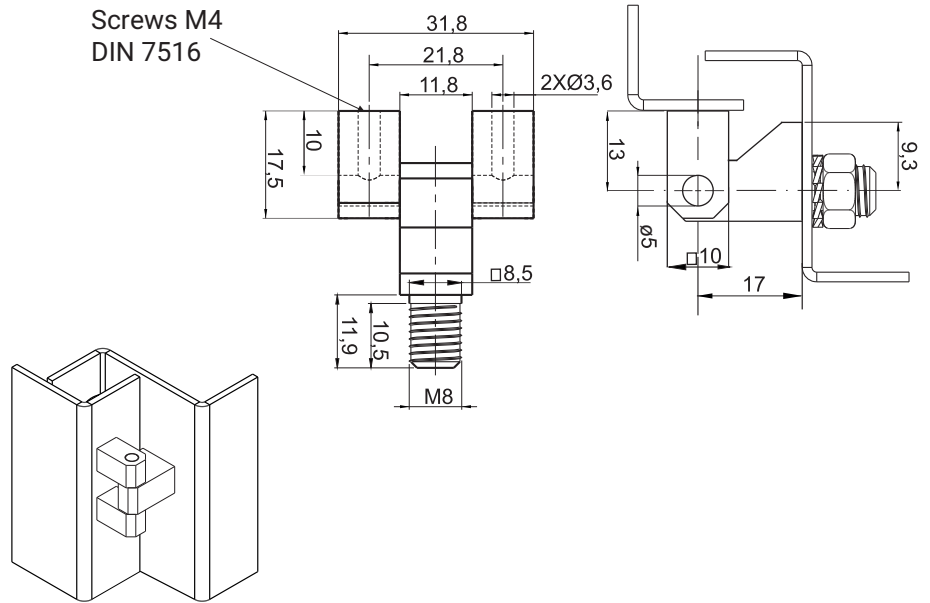




| CATALOGUE NUMBER | COMPONENTS | MATERIAL |
|------------------|-------------------------------|-----------------|
| 3.ST134.001SN | Holder, Base, Pin, Safety bow | Stainless steel |

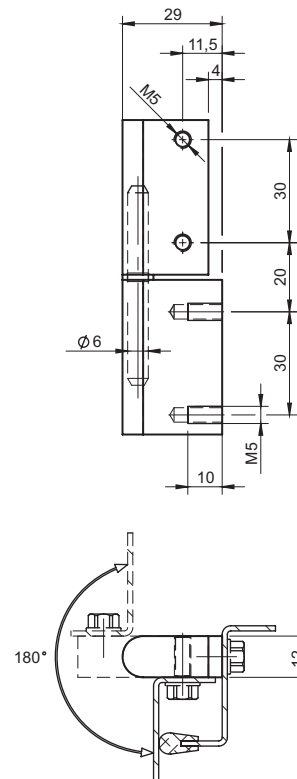
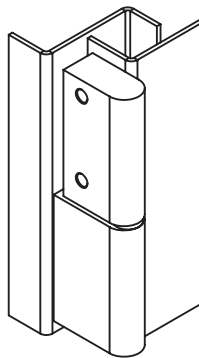


Screws M4
DIN 7516

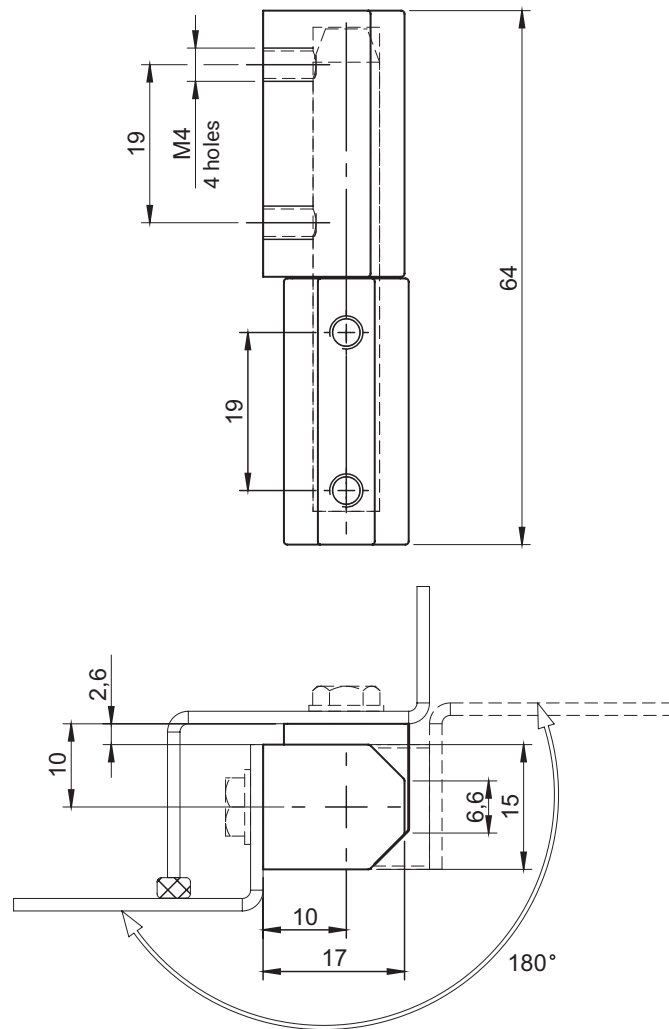


| CATALOGUE NUMBER | COMPONENTS | MATERIAL | FINISH [C] |
|------------------|--------------|---------------------|------------|
| | | | RAL 9005 |
| 3.ZN20.001 | Holder, Base | ZAMAK 5 | 04 |
| | Pin | Steel zinc plated * | |

180°

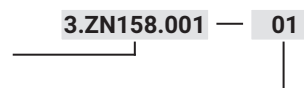


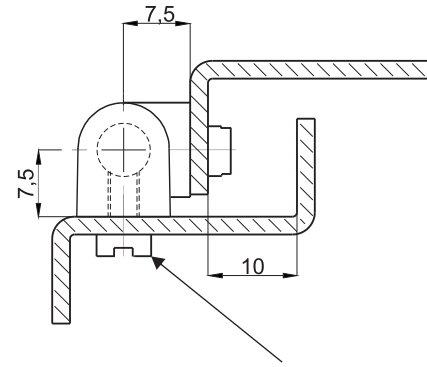
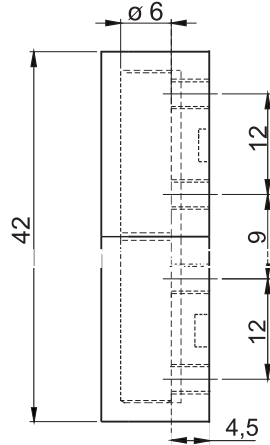
| CATALOGUE NUMBER | COMPONENTS | MATERIAL | FINISH [C] |
|------------------|--------------|-------------------|------------|
| | | | RAL 9005 |
| 3.ST49.001 | Holder, Base | Steel | 04 |
| | Pin | Steel zinc plated | |



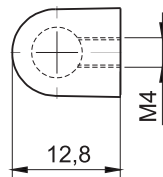
| CATALOGUE NUMBER | COMPONENTS | MATERIAL | FINISH [C] | |
|------------------|--------------|-----------------|------------|----------|
| | | | Chrome | RAL 9005 |
| 3.ZN158.001 | Base, Holder | ZAMAK | 01 | 04 |
| | Insert | Stainless Steel | - | - |

How to order:
 Catalogue number
 Finish [C]





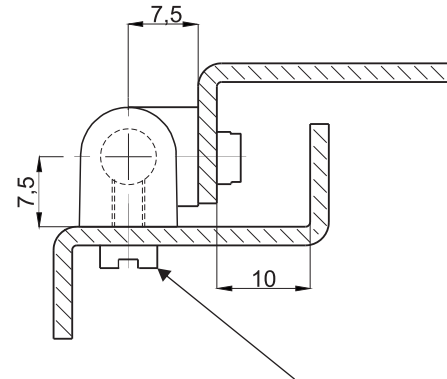
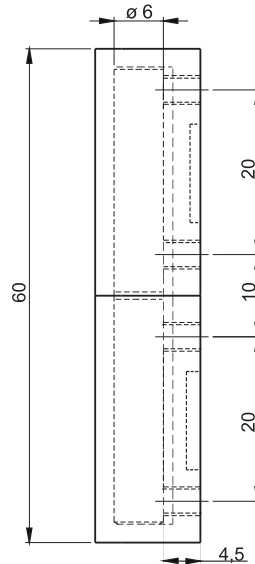
Screws M4 with cylindrical head
DIN 84, ISO1207 **



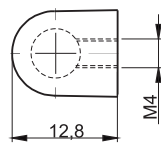
| CATALOGUE NUMBER | COMPONENTS | MATERIAL | FINISH [C] |
|------------------|--------------|----------------------|------------|
| | | | RAL 9005 |
| 3.ZN155.001 | Holder, Base | ZAMAK 5 | 04 |
| | Pin | Steel zinc plated, * | |

* possibility to order stainless steel pin.

**not included order



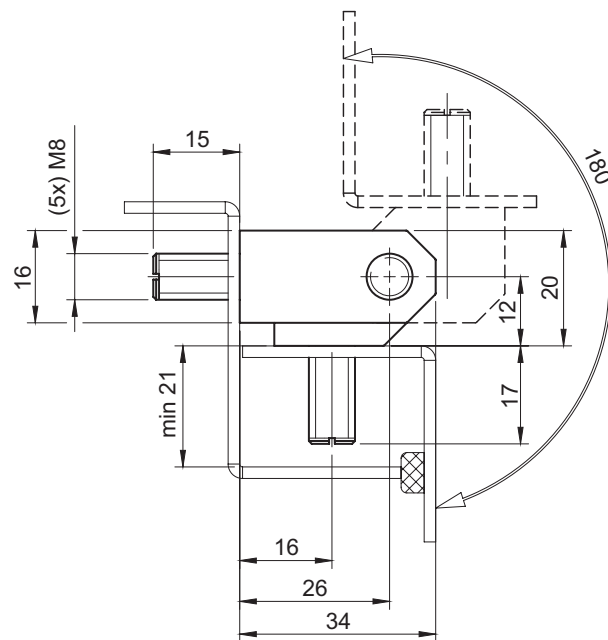
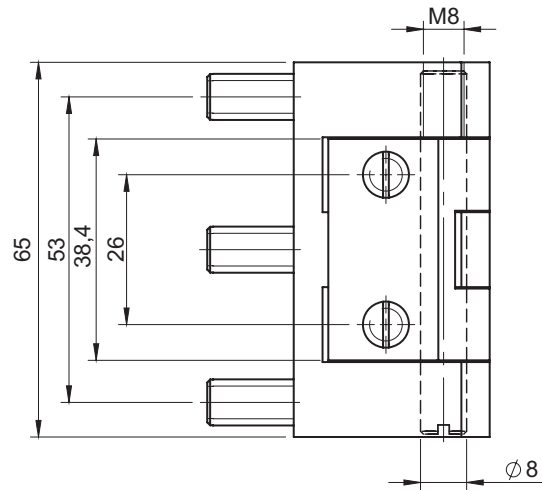
Screws M4 with cylindrical head
DIN 84, ISO1207 **



| CATALOGUE NUMBER | COMPONENTS | MATERIAL | FINISH [C] |
|------------------|--------------|----------------------|------------|
| | | | RAL 9005 |
| 3.ZN155.002 | Holder, Base | ZAMAK 5 | 04 |
| | Pin | Steel zinc plated, * | |

* possibility to order stainless steel pin.

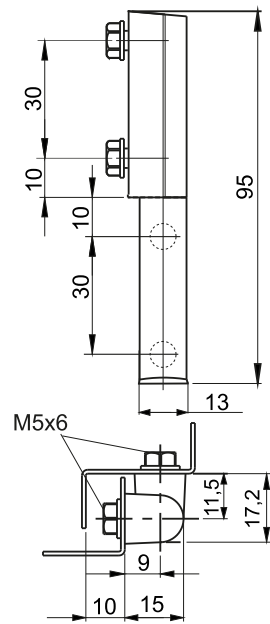
**not included order



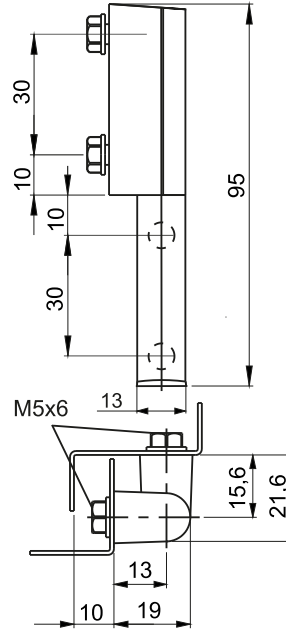
| CATALOGUE NUMBER | COMPONENTS | MATERIAL | FINISH [C] |
|------------------|-------------------|----------|------------|
| | | | Nickel |
| 3.ST126.001 | Holder, Base, Pin | Steel | 02 |



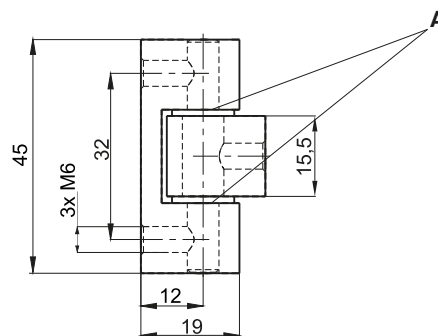
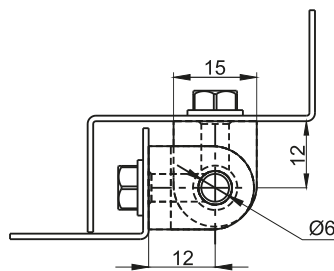
3.ZN151.001



3.ZN152.001

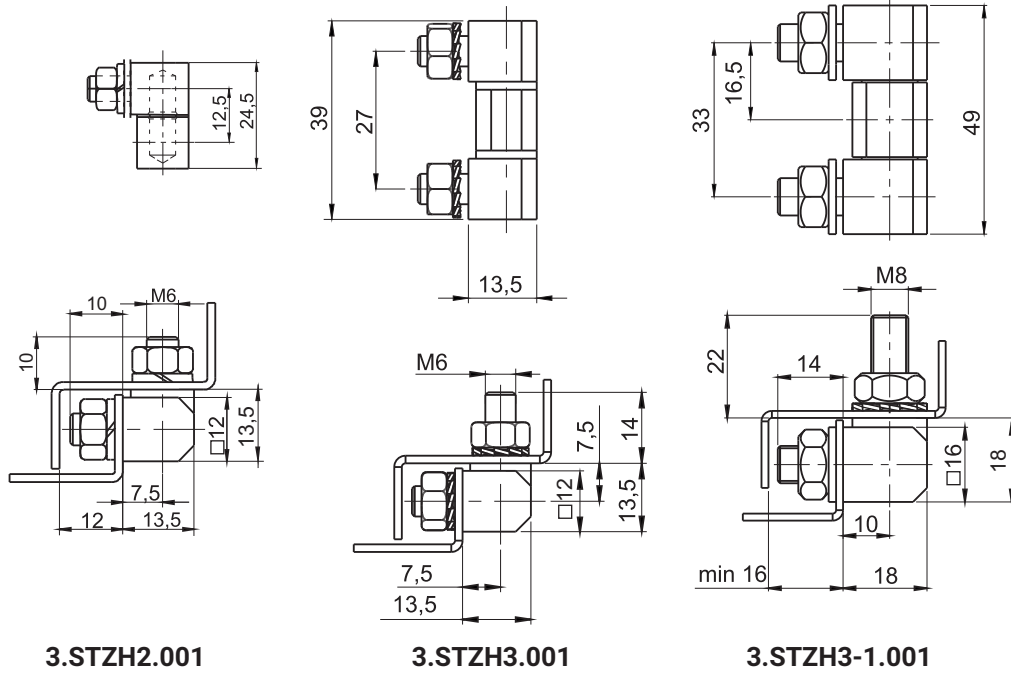


| CATALOGUE NUMBER | COMPONENTS | MATERIAL | FINISH [C] | |
|------------------|--------------|-----------------|------------|--|
| | | | RAL 9005 | |
| 3.ZN151.001 | Holder, Base | Polyamide | 07 | |
| 3.ZN152.001 | Pin | Stainless steel | - | |



| CATALOGUE NUMBER | COMPONENTS | MATERIAL | FINISH [C] | |
|------------------|--------------|-----------------|------------|---------|
| | | | Chrome | RAL9005 |
| 3.ST53.001 | Holder, Base | ZAMAK 5 | 01 | 04 |
| | Pin | Stainless steel | - | |
| 3.ST53.002 | Holder, Base | Steel | 01 | 04 |
| | Pin | Stainless steel | - | |

A - plastic washer



stainless steel

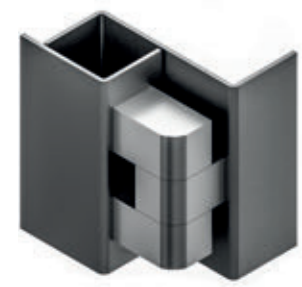
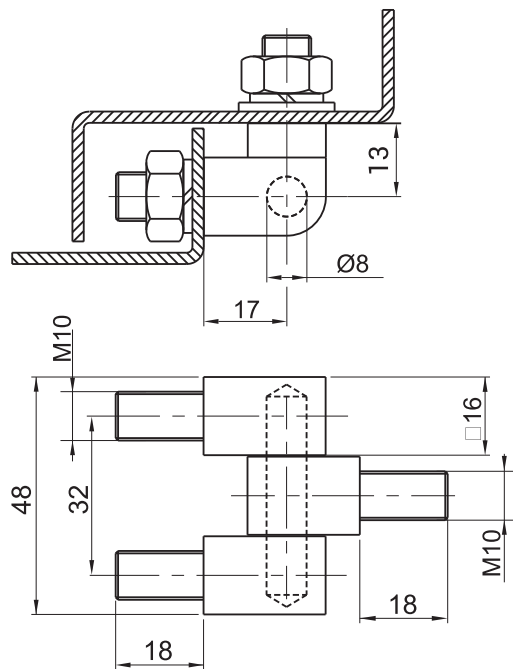


3.STZH2.001

3.STZH3.001

3.STZH3-1.001

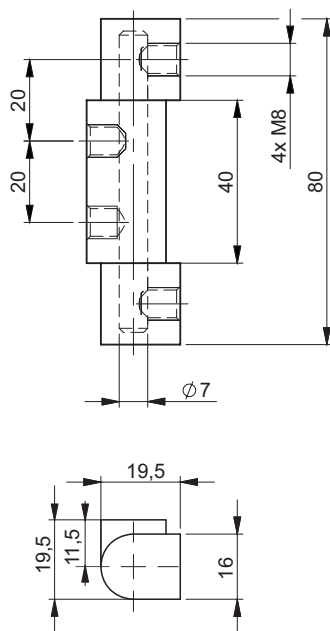
| CATALOGUE NUMBER | COMPONENTS | MATERIAL |
|---|-------------------|-------------------|
| 3.STZH2.001 3.STZH3.001 3.STZH3-1.001 | Holder, Base, Pin | Steel zinc plated |
| 3.STZH2.001SN 3.STZH3.001SN 3.STZH3-1.001SN | Holder, Base, Pin | Stainless steel |



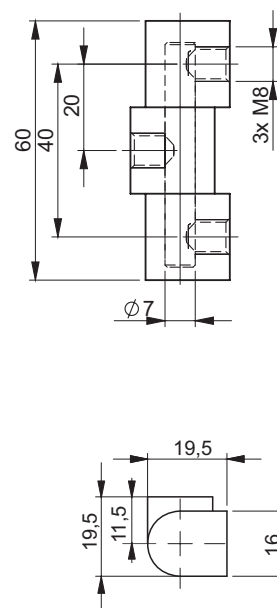
| CATALOGUE NUMBER | COMPONENTS | MATERIAL |
|------------------|-------------------|-------------------|
| 3.ST73.001 | Holder, Base, Pin | Steel zinc plated |



3.504.001



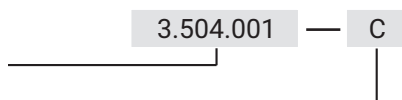
3.505.001



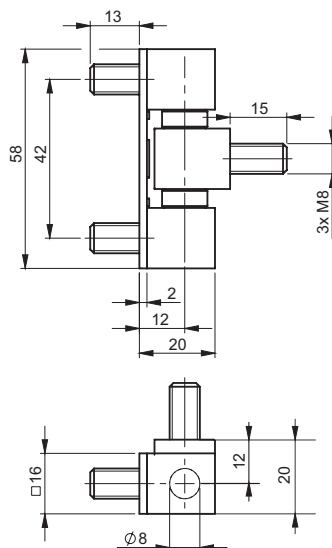
| CATALOGUE NUMBER | COMPONENTS | MATERIAL | FINISH [C] | |
|------------------|--------------|-------------------|------------|--------|
| | | | Galvanized | Chrome |
| 3.504.001 | Holder, Base | Brass | 00 | 01 |
| 3.505.001 | Pin | Steel zinc plated | | |

How to order:

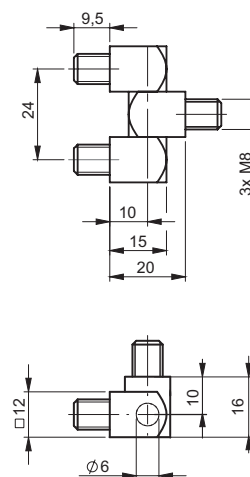
Catalogue number
Finish



3.506.001



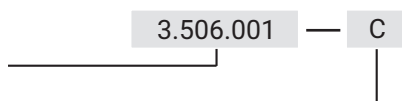
3.507.001

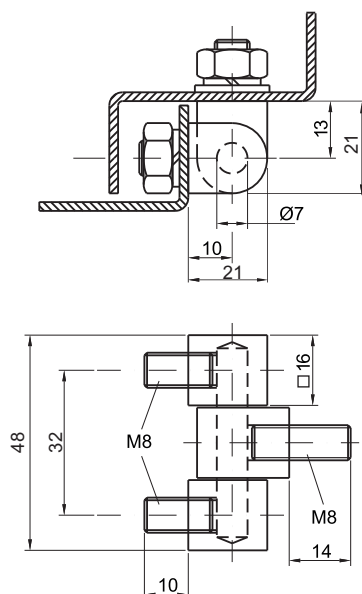


| CATALOGUE NUMBER | COMPONENTS | MATERIAL | FINISH [C] | |
|------------------|--------------|-------------------|------------|--|
| | | | Nickel | |
| 3.506.001 | Holder, Base | Steel | 02 | |
| 3.507.001 | Pin | Steel zinc plated | | |

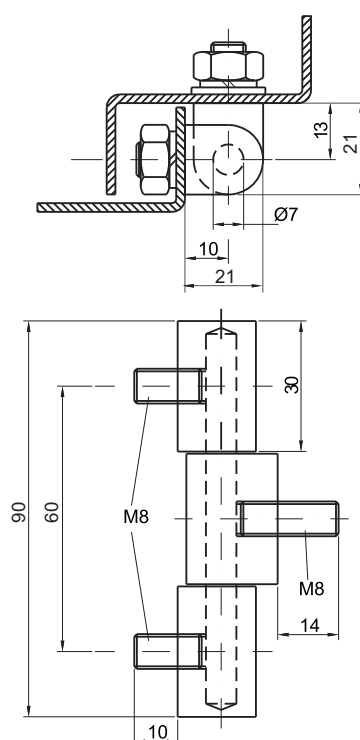
How to order:

Catalogue number
Finish

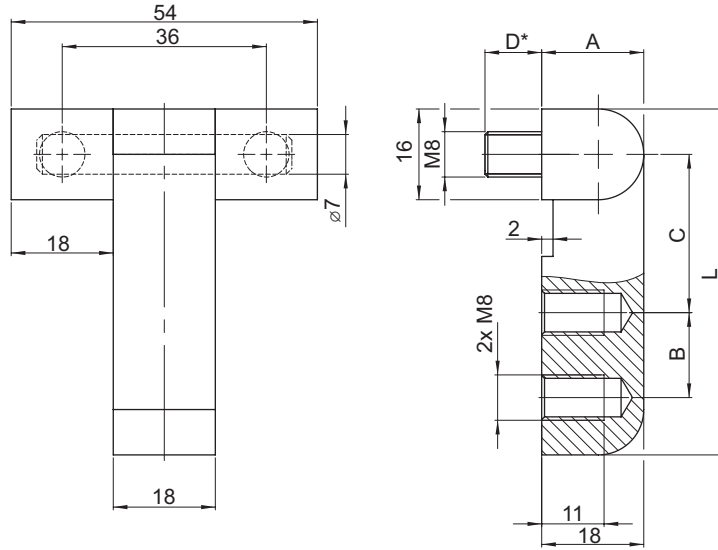




| CATALOGUE NUMBER | COMPONENTS | MATERIAL |
|------------------|-------------------|-------------------|
| 3.ST17.001 | Pin | Steel zinc plated |
| | Holder, Base | Brass |
| 3.ST17.001SN | Holder, Base, Pin | Stainless steel |

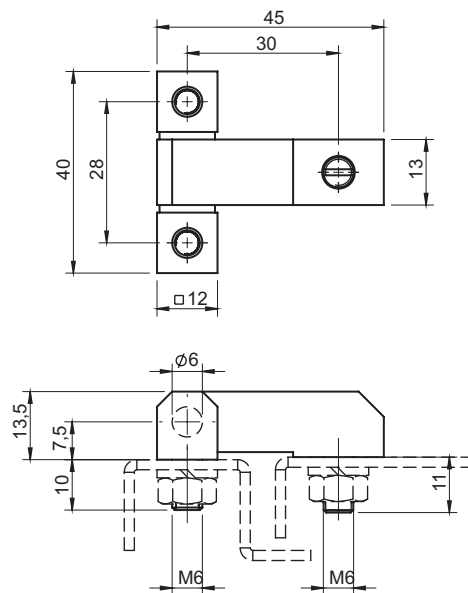


| CATALOGUE NUMBER | COMPONENTS | MATERIAL |
|------------------|-------------------|-------------------|
| 3.ST18.001 | Pin | Steel zinc plated |
| | Holder, Base | Brass |
| 3.ST18.001SN | Holder, Base, Pin | Stainless steel |



| CATALOGUE NO. | L | A | B | C | D | COMPONENTS | MATERIAL |
|---------------|-----|----|----|----|----|-----------------------|---|
| 3.ST21.001 | 61 | 18 | 15 | 28 | 10 | Holder Base Pin | Steel zinc plated Brass zinc plated Steel zinc plated |
| 3.ST21.102 | 71 | 18 | 15 | 38 | 10 | | |
| 3.ST21.103 | 74 | 18 | 23 | 35 | 10 | | |
| 3.ST21.104 | 93 | 18 | 30 | 45 | 20 | | |
| 3.ST21.105 | 108 | 18 | 30 | 60 | 20 | | |
| 3.ST21.106 | 93 | 25 | 30 | 45 | 20 | Holder, Base Pin | Steel zinc plated |
| 3.ST21.107 | 108 | 25 | 30 | 60 | 20 | | |
| 3.ST21.001SN | 61 | 18 | 15 | 28 | 10 | Holder Base Pin | Stainless steel |
| 3.ST21.102SN | 71 | 18 | 15 | 38 | 10 | | |
| 3.ST21.103SN | 74 | 18 | 23 | 35 | 10 | | |
| 3.ST21.104SN | 93 | 18 | 30 | 45 | 20 | | |
| 3.ST21.105SN | 108 | 18 | 30 | 60 | 20 | | |
| 3.ST21.106SN | 93 | 25 | 30 | 45 | 20 | Holder, Base Pin | Stainless steel |
| 3.ST21.107SN | 108 | 25 | 30 | 60 | 20 | | |

* possibility to make in different dimension

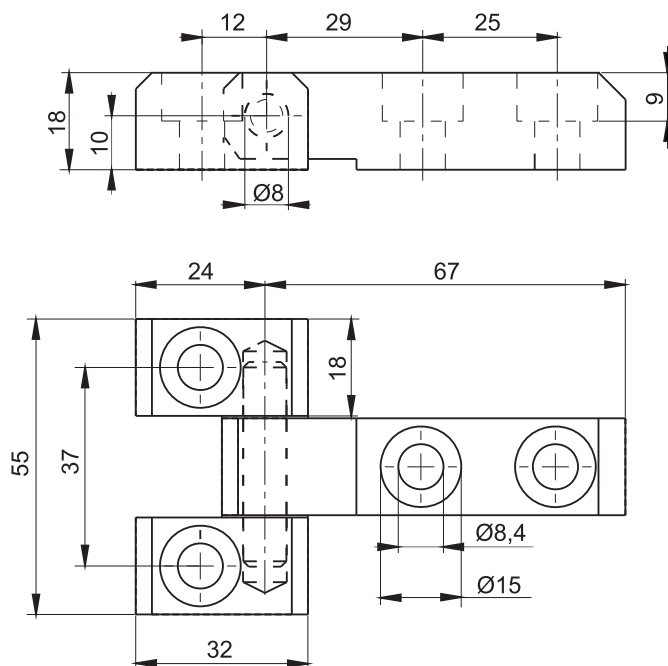


| | | |
|--------------|--|--|
| 3.ST22.001 | | |
| 3.ST22.001SN | | |

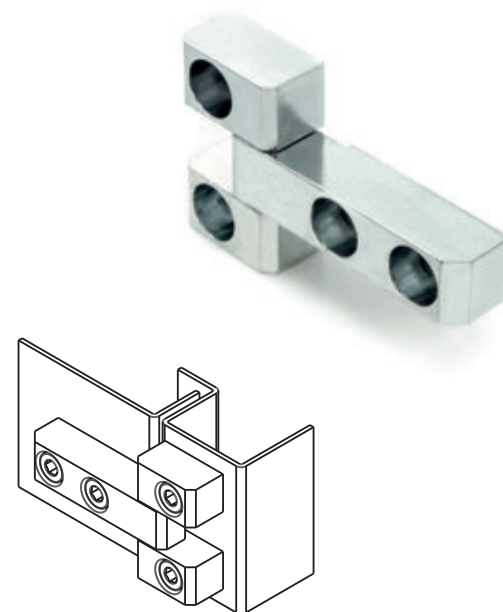
3A-65

| External hinges

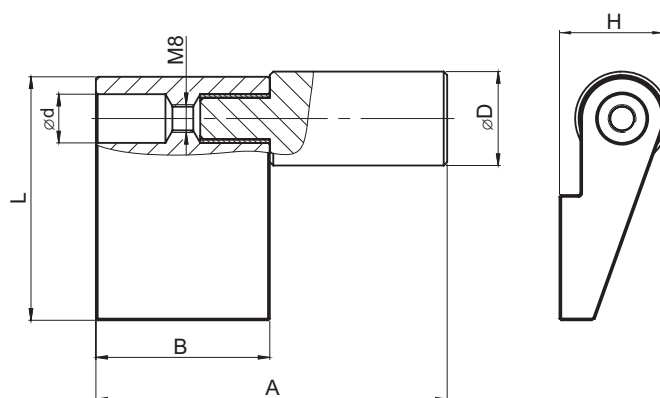
www.roztocze.eu



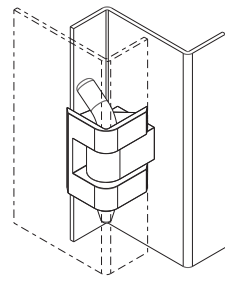
stainless steel



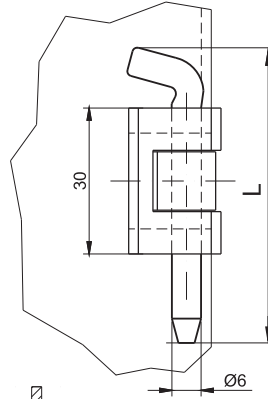
| CATALOGUE NUMBER | COMPONENTS | MATERIAL |
|------------------|--------------|-------------------|
| 3.ST29.001 | Holder, Base | Steel zinc plated |
| 3.ST29.001SN | Holder, Base | Stainless steel |



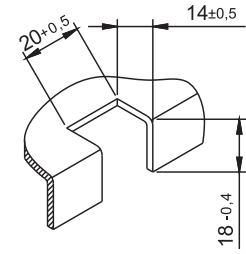
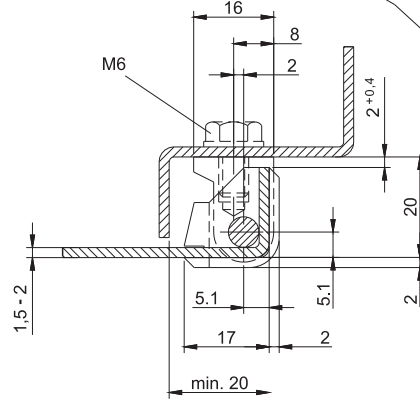
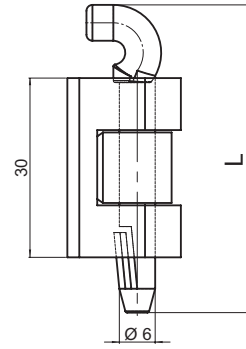
| HINGE | D | d | L | H | A | B |
|---------------|------------|----|----------|----|-----|----|
| 3.ST102.001 | 27 | 14 | 70 | 30 | 101 | 50 |
| 3.ST102.002 | 27 | 14 | 90 | 30 | 101 | 50 |
| 3.ST102.006 | 20 | 12 | 55,5 | 24 | 80 | 40 |
| CATALOGUE NO. | COMPONENTS | | MATERIAL | | | |
| 3.ST102.00X | Fin | | Steel | | | |
| | Pin | | | | | |



Version
3.ZN70.001
3.ZN70.002

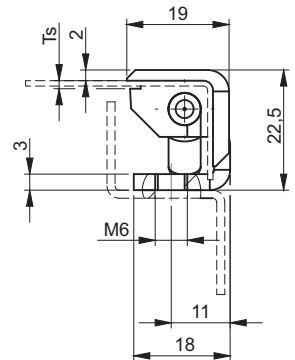
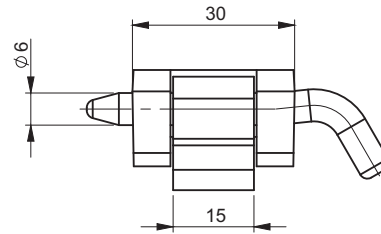
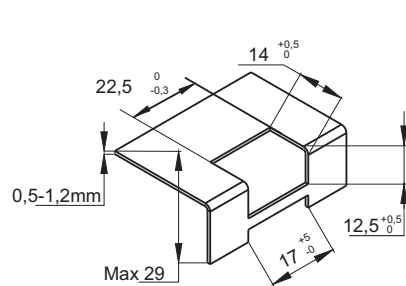


Version
3.ZN70.003



Mounting hole

| CATALOGUE NO. | DIMENSION L [mm] | | COMPONENTS | MATERIAL | FINISH [C] | | | | |
|---------------|------------------|----|-------------------|-------------------|------------|--------|---------|---------|---------|
| | | | | | Chrome | Nickel | RAL9005 | RAL7035 | RAL7032 |
| 3.ZN70.001 | 56,5 | 70 | Holder, Base | ZAMAK 5 | 01 | 02 | 04 | 05 | 12 |
| | | | Pin | Steel zinc plated | | | | | |
| 3.ZN70.003 | 51,5 | | Holder, Base | ZAMAK5 | 01 | 02 | 04 | 05 | 12 |
| | | | Pin | POM | | | | | |
| 3.ZN70.002SN | 56,5 | 70 | Holder, Base, Pin | Stainless steel | - | | | | |



Ts - thickness of metal sheet [mm]

| CATALOGUE NUMBER | Ts [mm] | COMPONENTS | MATERIAL | FINISH [C] | | | |
|------------------|---------|--------------|-------------------|------------|--------|---------|---------|
| | | | | Chrome | Nickel | RAL9005 | RAL7035 |
| 3.ZN75.003 | 0,8-1,2 | Holder, Base | ZAMAK 5 | 01 | 02 | 04 | 05 |
| | | Pin | Steel zinc plated | | | | |
| 3.ZN75.004 | 1,5-2,0 | Holder, Base | ZAMAK 5 | 01 | 02 | 04 | 05 |
| | | Pin | Steel zinc plated | | | | |

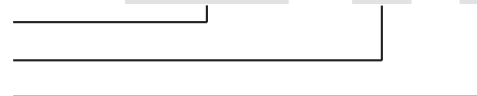
How to order:

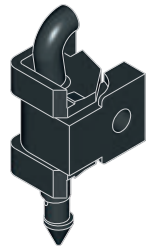
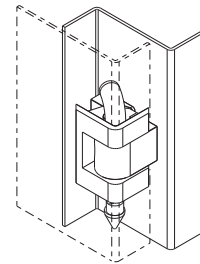
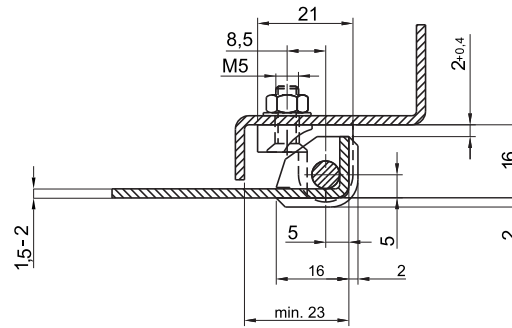
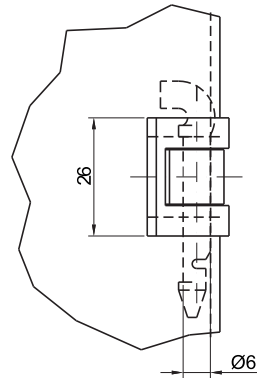
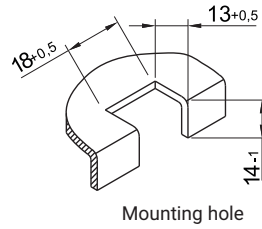
Catalogue number

Dimension

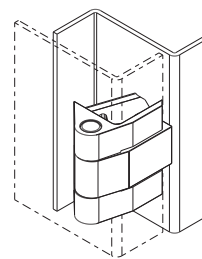
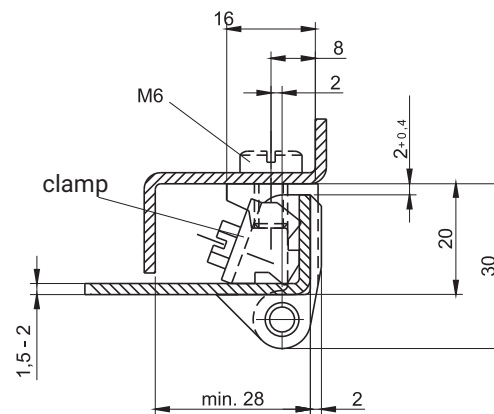
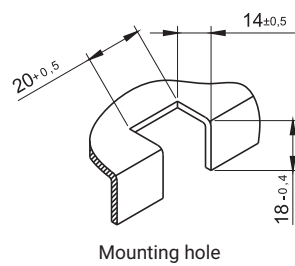
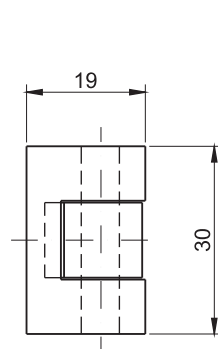
Finish

3.ZN75.001 — L — C





| CATALOGUE NUMBER | COMPONENTS | MATERIAL | FINISH [C] | |
|------------------|-------------------|-----------|------------|---------|
| | | | RAL9005 | RAL7035 |
| 3.ZN90.001 | Holder, Base, Pin | Polyamide | 07 | 08 |

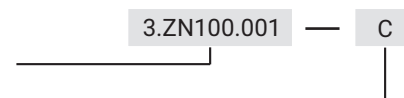


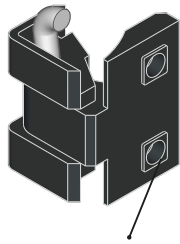
| CATALOGUE NUMBER | COMPONENTS | MATERIAL | FINISH [C] | |
|------------------|--------------------------|-------------------|------------|---------|
| | | | RAL9005 | RAL7035 |
| 3.ZN100.001 | Holder, Base | ZAMAK 5 | 04 | 05 |
| | Close tight element, Pin | Steel zinc plated | | |

* possibility to make a different color

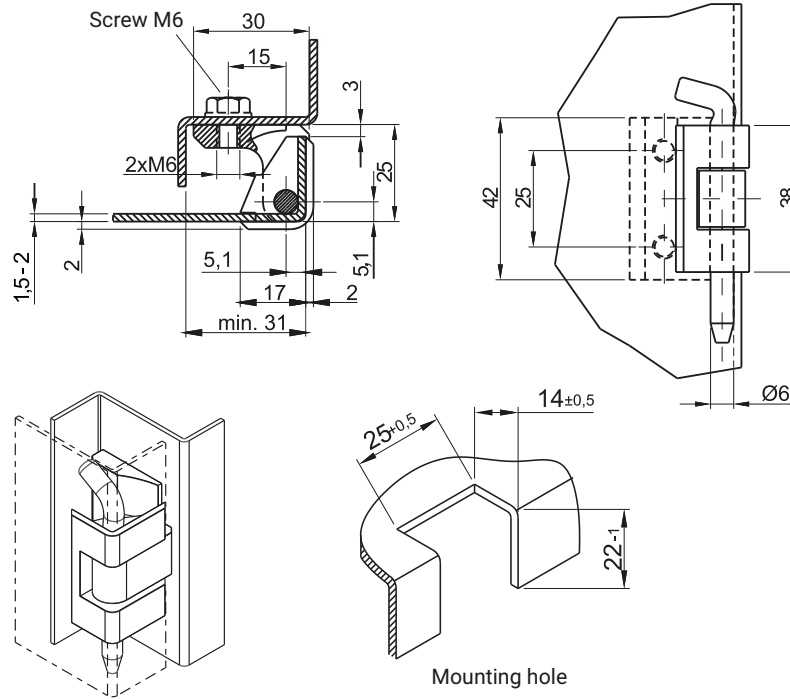
How to order:

Catalogue number
Finish





** - with weaning $\square 8 \times 1$ mm

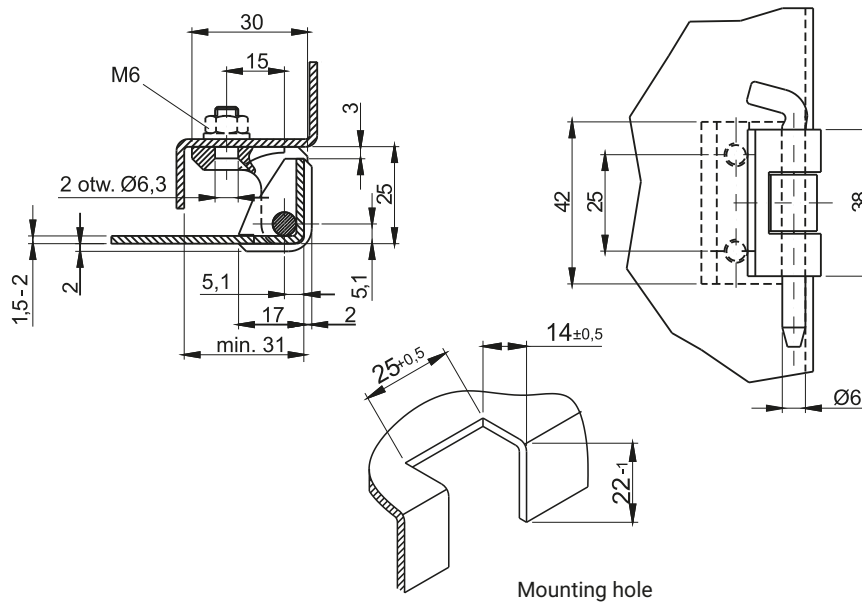


Can be ordered without thread

** possibility to order the hinge with the base with weaning

| CATALOGUE NUMBER | COMPONENTS | MATERIAL | FINISH [C] | |
|------------------|--------------|-------------------|------------|---------|
| | | | RAL9005 | RAL7035 |
| 3.ZN80.001 | Holder, Base | ZAMAK 5 | 04 | 05 |
| | Pin | Steel zinc plated | | |

* possibility to make a different color



| CATALOGUE NUMBER | COMPONENTS | MATERIAL | FINISH [C] | |
|------------------|--------------|-------------------|------------|---------|
| | | | RAL9005 | RAL7035 |
| 3.ZN80.002 | Holder, Base | ZAMAK 5 | 04 | 05 |
| | Pin | Steel zinc plated | | |

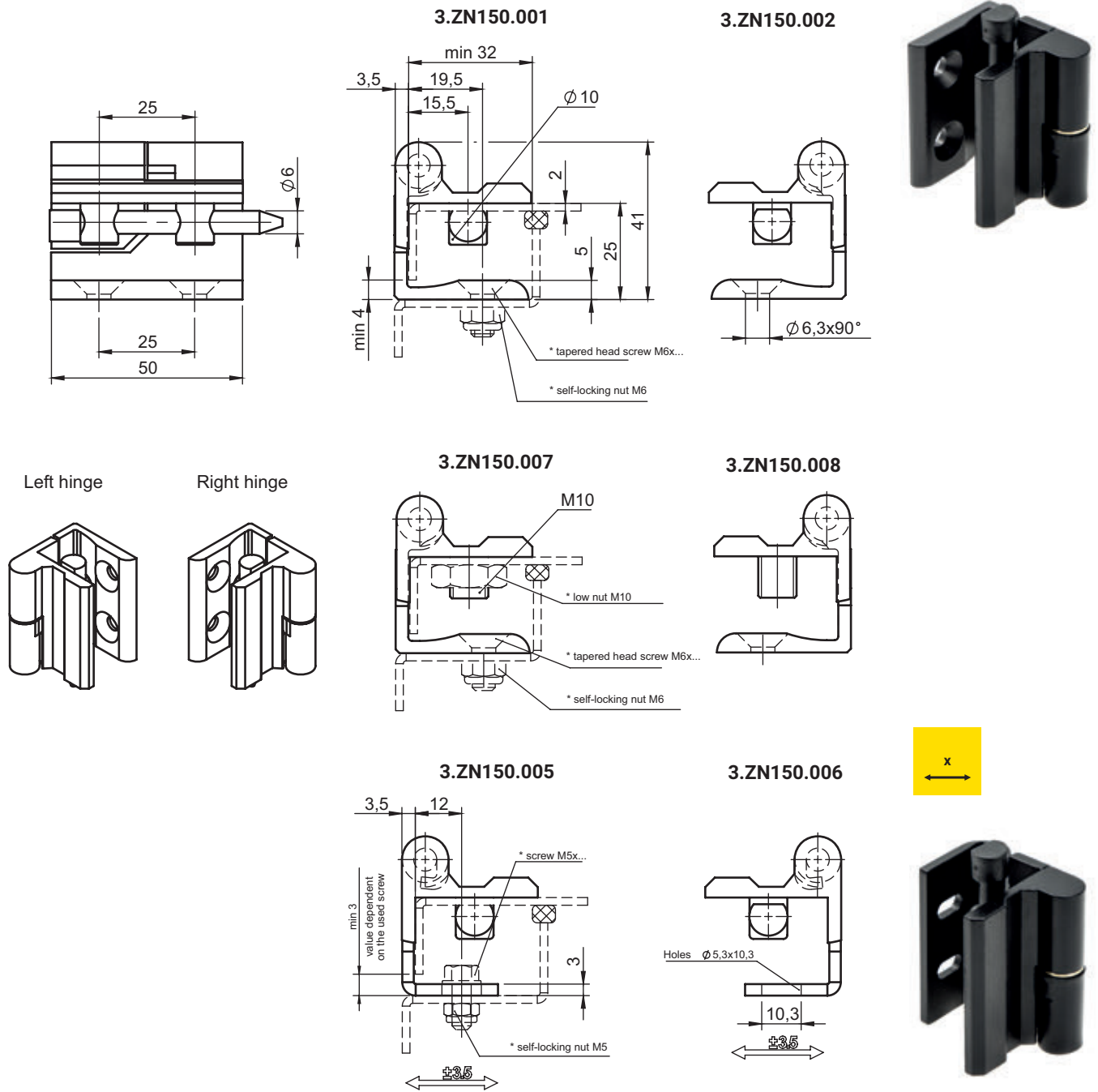
* possibility to make a different color

How to order:

Catalogue number

Finish

3.ZN80.001 — C



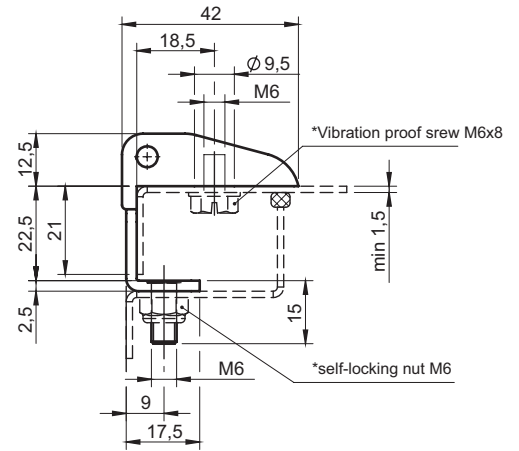
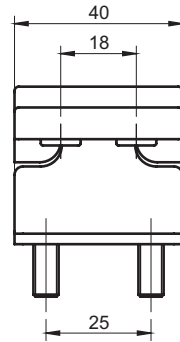
180° opening angle hinge with a lock to prevent the door from being removed from the cabinet when the door is closed and a door opening angle of less than ~60°
 * - not included, to be ordered separately

| VERSION | CATALOGUE NUMBER | COMPONENTS | MATERIAL | FINISH [C] |
|---------|----------------------------|------------|-------------------|------------|
| | | | | RAL9005 |
| Right | 3.ZN150.001 3.ZN150.007 | Holder | ZAMAK 5 | 04 |
| | | Base | ZAMAK 5 | |
| Left | 3.ZN150.002 3.ZN150.008 | Screw | Poliamid | - |
| | | Pin | Steel zinc plated | |
| Right | 3.ZN150.005 | Holder | ZAMAK 5 | 04 |
| | | Base | Steel | |
| Left | 3.ZN150.006 | Screw | Poliamid | - |
| | | Pin | Steel zinc plated | |

180°



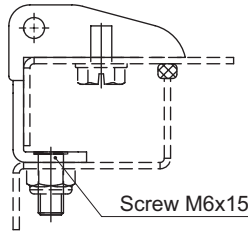
3.ZN154.001



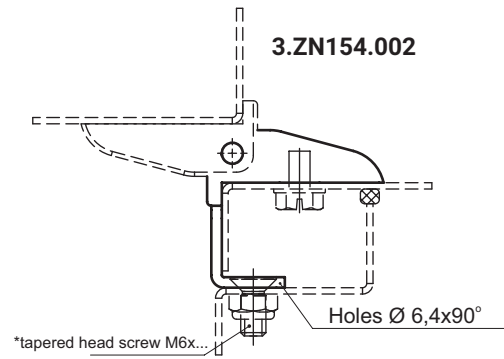
3.ZN154.002



3.ZN154.001



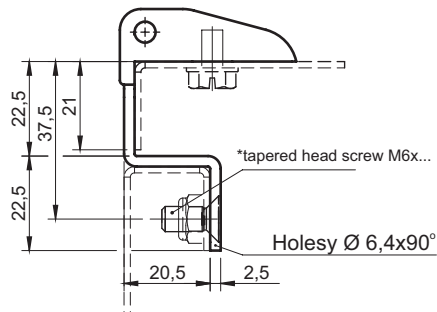
3.ZN154.002



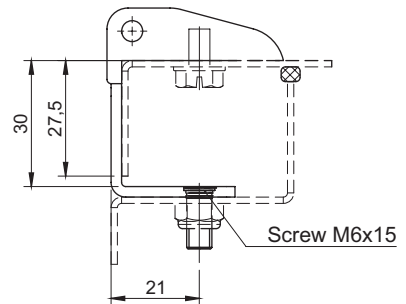
3.ZN154.003



3.ZN154.003



3.ZN154.010



3.ZN154.010



*not included, to be ordered separately

| CATALOGUE NUMBER | COMPONENTS | MATERIAL | FINISH [C] | |
|------------------|------------|-------------------|------------|---------|
| | | | RAL9005 | RAL7035 |
| 3.ZN154.001 | Holder | ZAMAK 5 | 04 | 05 |
| 3.ZN154.002 | Base | Steel zinc plated | | |
| 3.ZN154.003 | Pin | Stainless steel | - | - |
| 3.ZN154.010 | | | | |

How to order:

Catalogue number

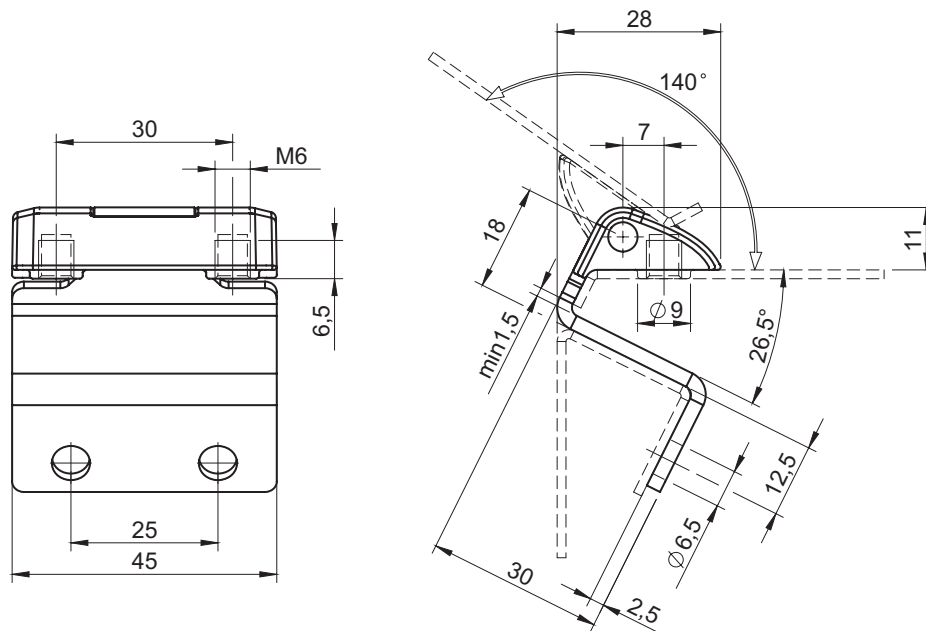
Finish

3.ZN154.001 — C

3A-71

| External hinges

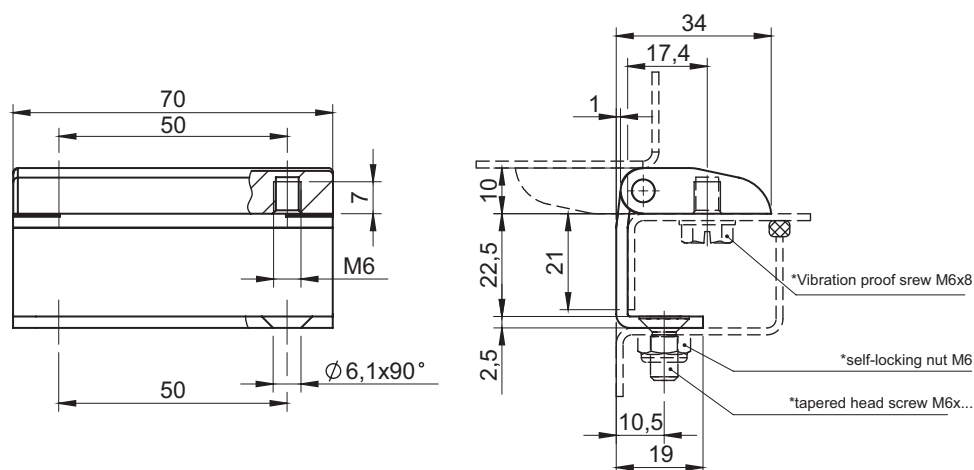
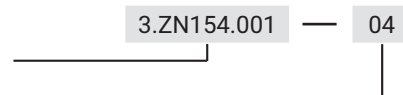
www.roztocze.eu



| CATALOGUE NUMBER | COMPONENTS | MATERIAL |
|------------------|------------|-------------------|
| 3.ZN157.001 | Holder | ZAMAK |
| | Base | Steel zinc plated |
| | Pin | Stainless steel |
| FINISH [C] | | |
| RAL9005 | | RAL7035 |
| 04 | | 05 |

How to order:

Catalogue number
Finish [C]

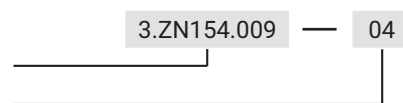


* - not included, to be ordered separately

| CATALOGUE NUMBER | COMPONENTS | MATERIAL | FINISH [C] | |
|------------------|------------|-----------------|------------|---------|
| | | | RAL9005 | RAL7035 |
| 3.ZN154.009 | Holder | ZAMAK 5 | 04 | 05 |
| | Base | Steel | | |
| | Pin | Stainless steel | - | - |

How to order:

Catalogue number
Finish [C]







1

Locking systems

2

Locks
Latches

3

Internal hinges

4

Clamps

5

Accessories

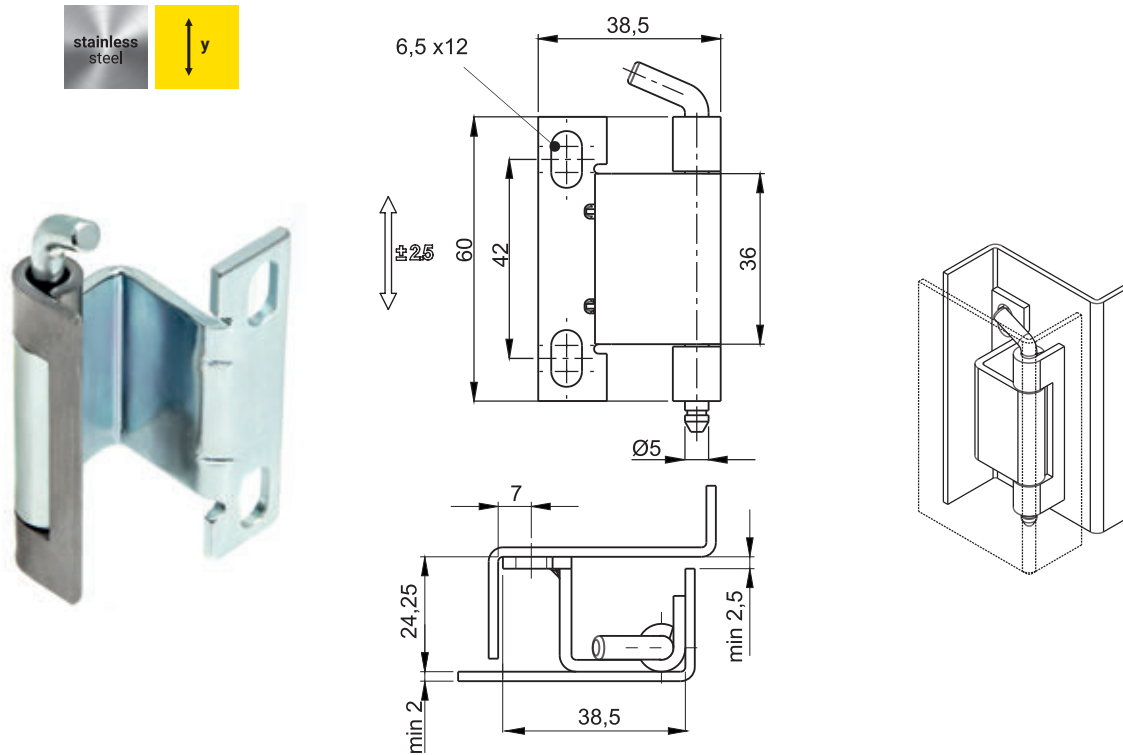
6

Gasketing profiles

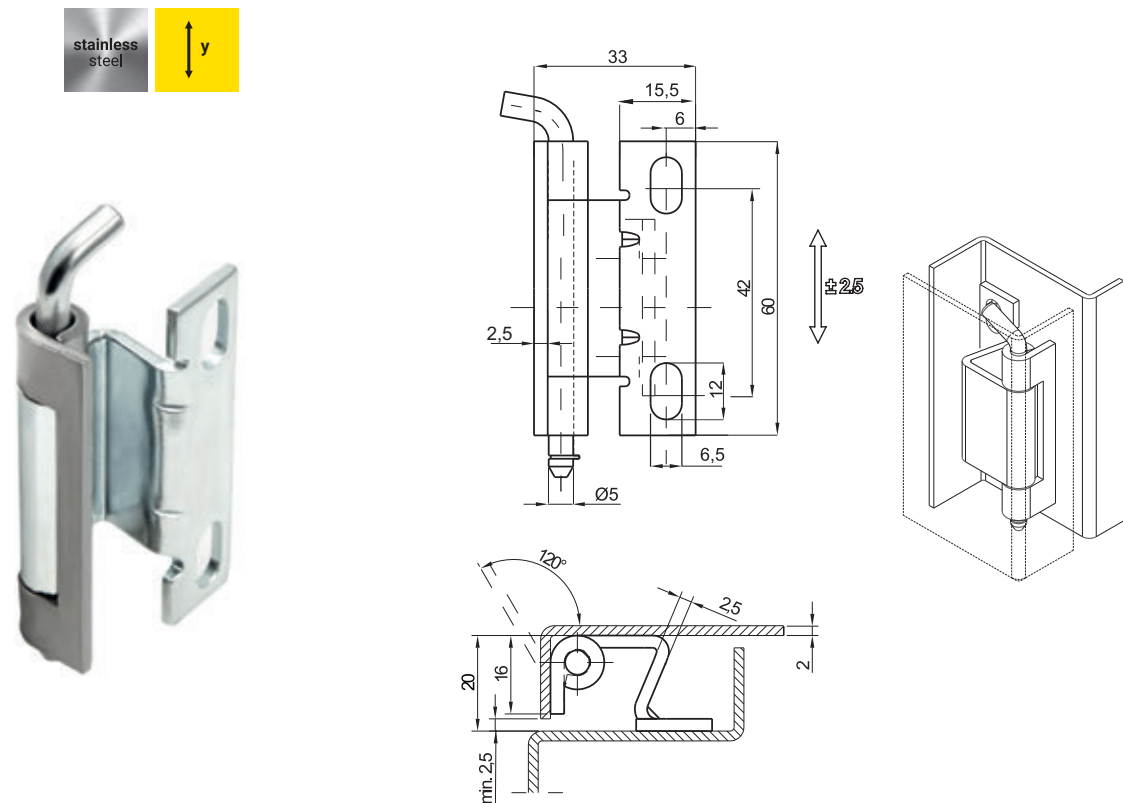
7

Custom products

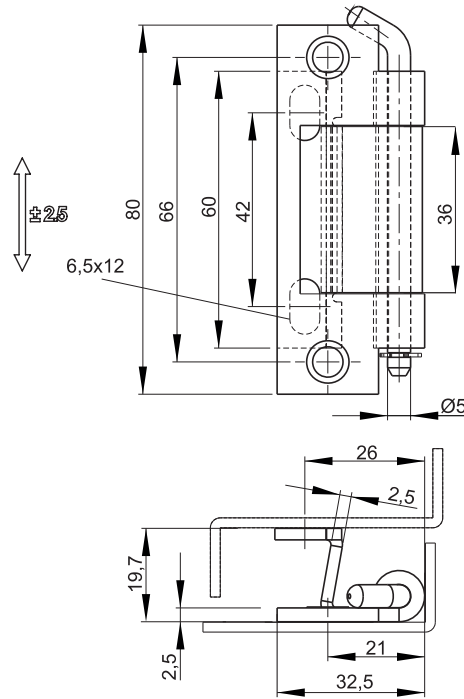




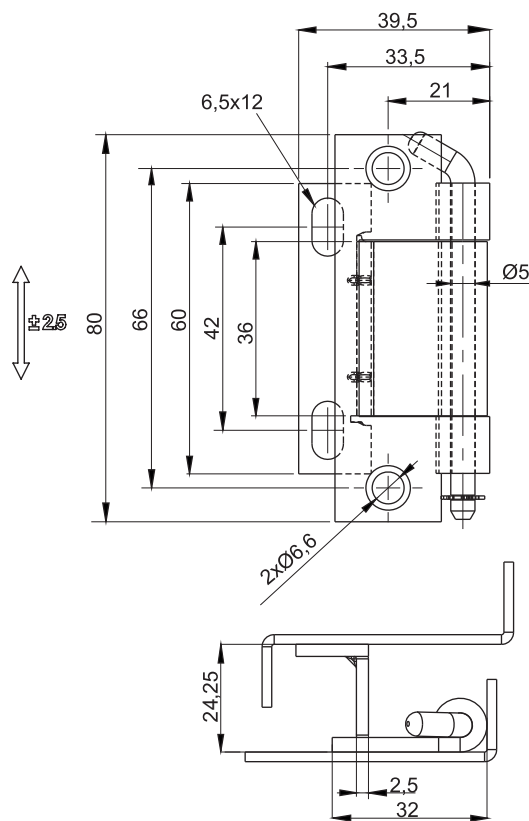
| CATALOGUE NUMBER | COMPONENTS | MATERIAL |
|------------------|-------------------|-------------------|
| 3.ST4-1.001 | Base, Pin | Steel zinc plated |
| | Holder | Steel |
| 3.ST4-1.001SN | Holder, Base, Pin | Stainless steel |



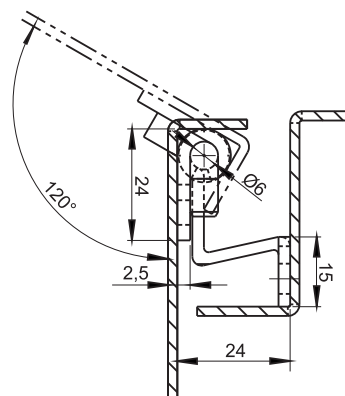
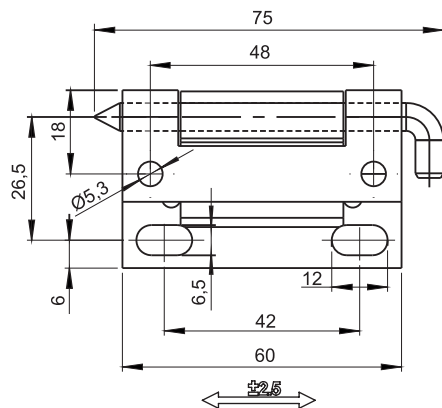
| CATALOGUE NUMBER | COMPONENTS | MATERIAL |
|------------------|-------------------|-------------------|
| 3.ST4.001 | Base, Pin | Steel zinc plated |
| | Holder | Steel |
| 3.ST4.001SN | Holder, Base, Pin | Stainless steel |



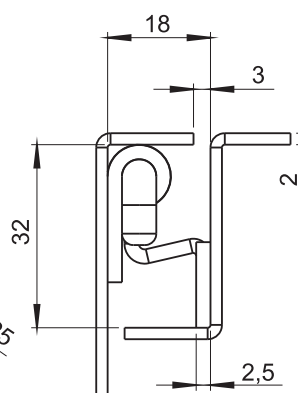
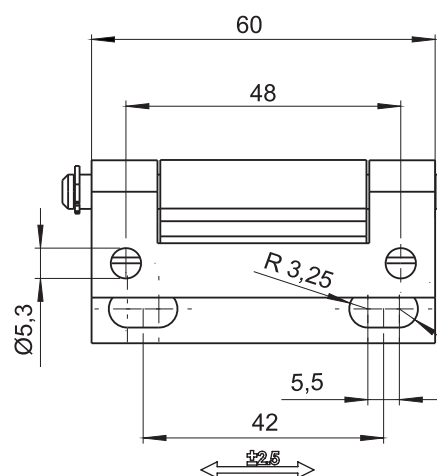
| CATALOGUE NUMBER | COMPONENTS | MATERIAL |
|------------------|-------------------|-------------------|
| 3.ST4-2.001 | Holder, Base, Pin | Steel zinc plated |
| 3.ST4-2.001SN | Holder, Base, Pin | Stainless steel |



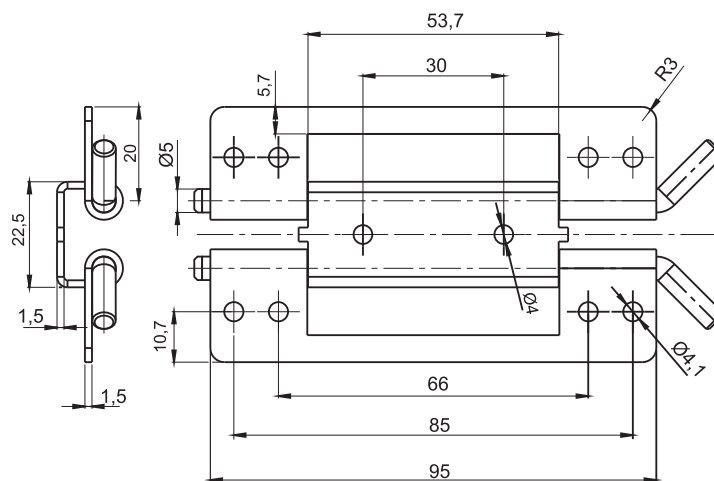
| CATALOGUE NUMBER | COMPONENTS | MATERIAL |
|------------------|-------------------|-------------------|
| 3.ST4-4.001 | Holder, Base, Pin | Steel zinc plated |
| 3.ST4-4.001SN | Holder, Base, Pin | Stainless steel |



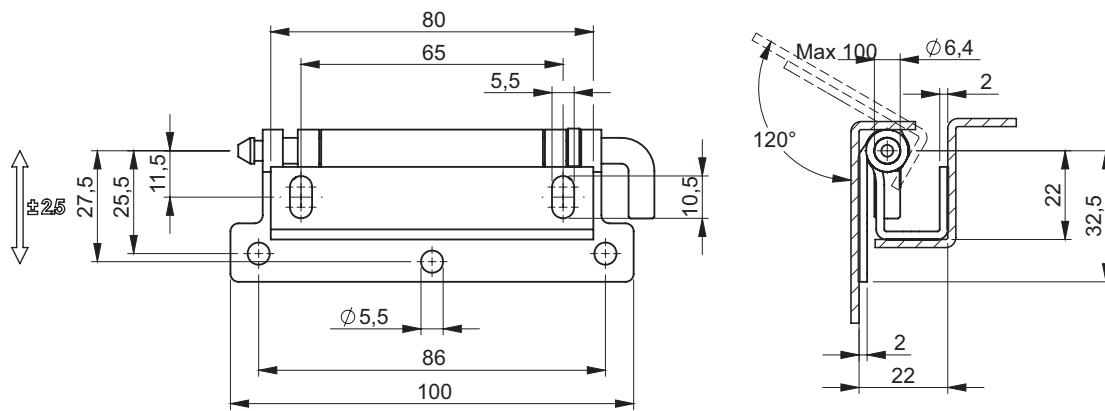
| CATALOGUE NUMBER | COMPONENTS | MATERIAL |
|------------------|-------------------|-------------------|
| 3.ST27.001 | Holder, Base, Pin | Steel zinc plated |
| 3.ST27.001SN | Holder, Base, Pin | Stainless steel |



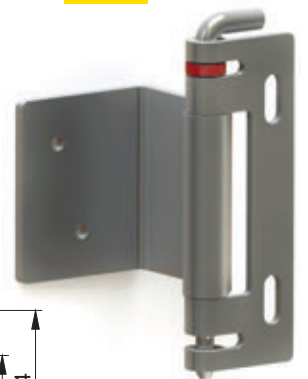
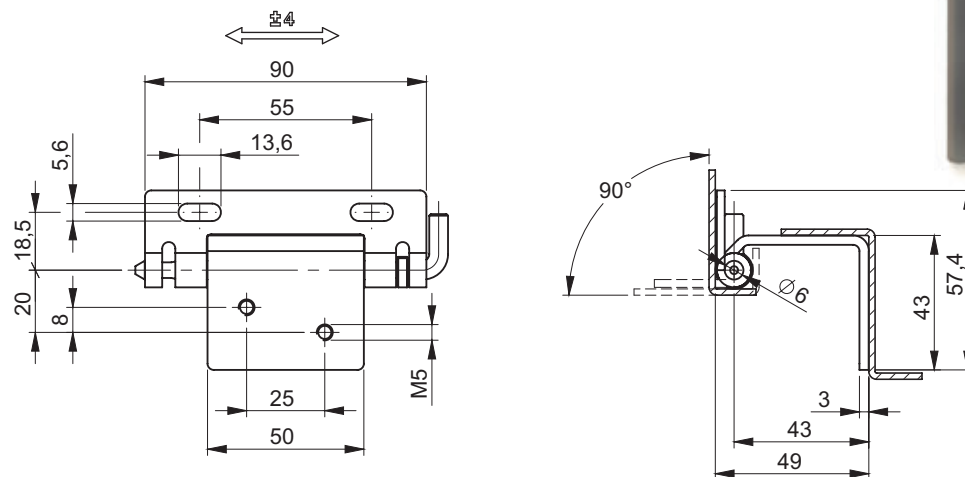
| CATALOGUE NUMBER | COMPONENTS | MATERIAL |
|------------------|-------------------|-------------------|
| 3.ST27-1.001 | Holder, Base, Pin | Steel zinc plated |
| 3.ST27-1.001SN | Holder, Base, Pin | Stainless steel |



| CATALOGUE NUMBER | COMPONENTS | MATERIAL |
|------------------|-------------------|-------------------|
| 3.ST54.001 | Holder, Base, Pin | Steel zinc plated |
| 3.ST54.001SN | Holder, Base, Pin | Stainless steel |



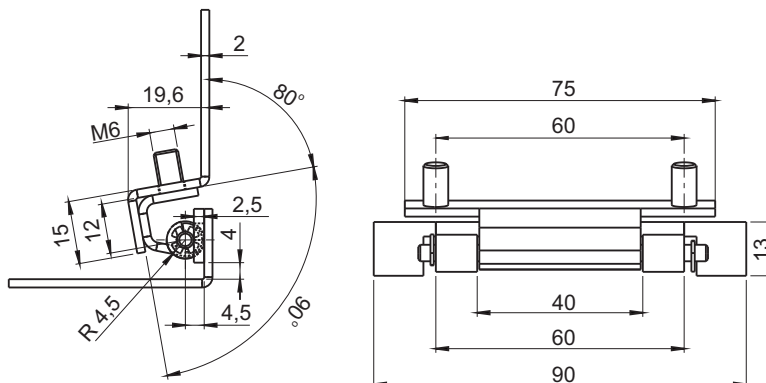
| CATALOGUE NO. | COMPONENTS | MATERIAL |
|---------------|-------------------|-------------------|
| 3.ST115.001 | Holder, Base, Pin | Steel zinc plated |
| | Blockade | POM |
| 3.ST115.001SN | Holder, Base, Pin | Stainless steel |
| | Blockade | POM |



| CATALOGUE NO. | COMPONENTS | MATERIAL |
|---------------|-------------------|-------------------|
| 3.ST115.002 | Holder, Base, Pin | Steel zinc plated |
| | Pin blockage | POM |
| 3.ST115.002SN | Holder, Base, Pin | Stainless steel |



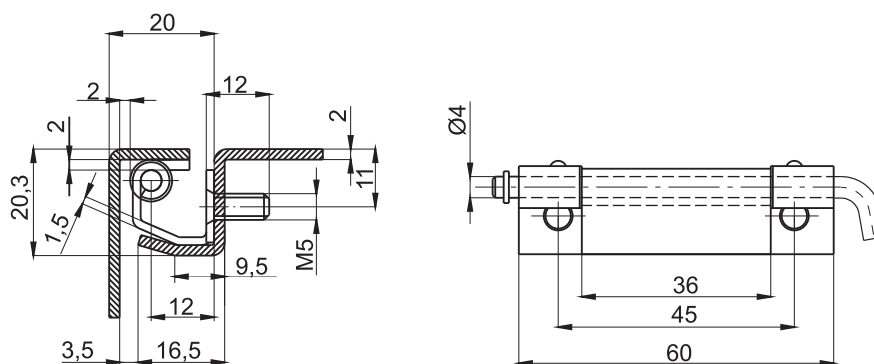
stainless steel



| CATALOGUE NUMBER | COMPONENTS | MATERIAL |
|------------------|-------------------|-------------------|
| 3.ST47.001 | Base, Pin | Steel zinc plated |
| | Holder | Steel |
| 3.ST47.001SN | Holder, Base, Pin | Stainless steel |



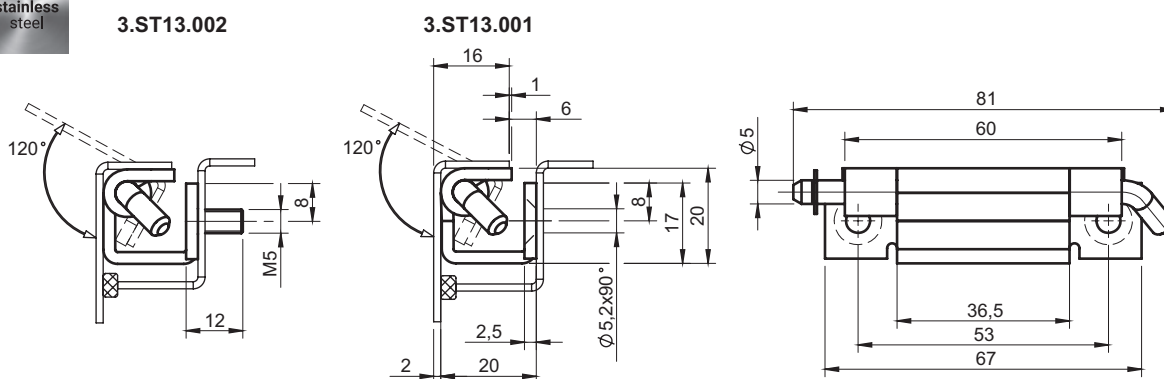
stainless steel



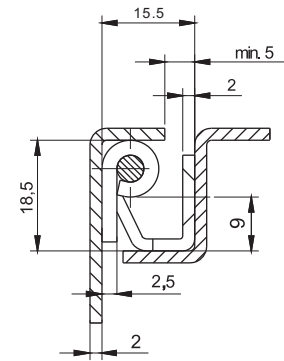
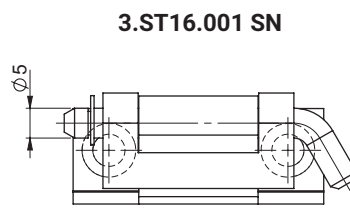
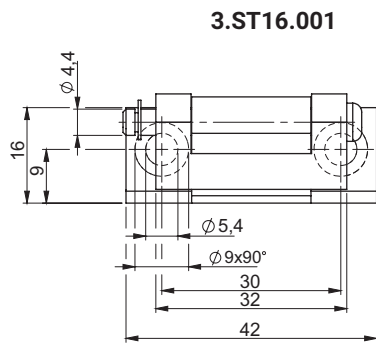
| CATALOGUE NUMBER | COMPONENTS | MATERIAL |
|------------------|-------------------|-------------------|
| 3.ST47.002 | Base, Pin | Steel zinc plated |
| | Holder | Steel |
| 3.ST47.002SN | Holder, Base, Pin | Stainless steel |



stainless steel



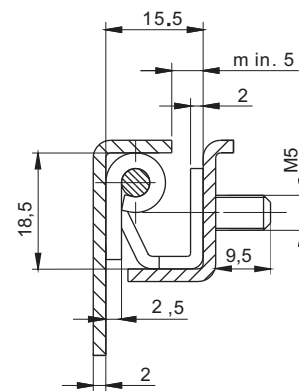
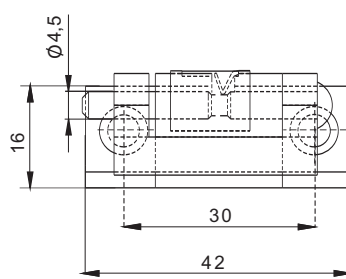
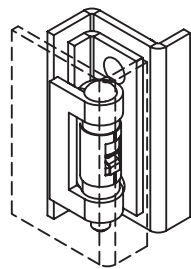
| CATALOGUE NUMBER | COMPONENTS | MATERIAL |
|------------------|-------------------|-------------------|
| 3.ST13.001 | Base, Pin | Steel zinc plated |
| 3.ST13.002 | Holder | Steel |
| 3.ST13.001SN | Holder, Base, Pin | Stainless steel |
| 3.ST13.002SN | | |



stainless steel



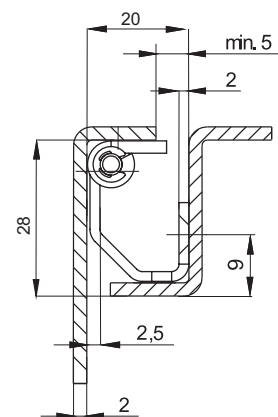
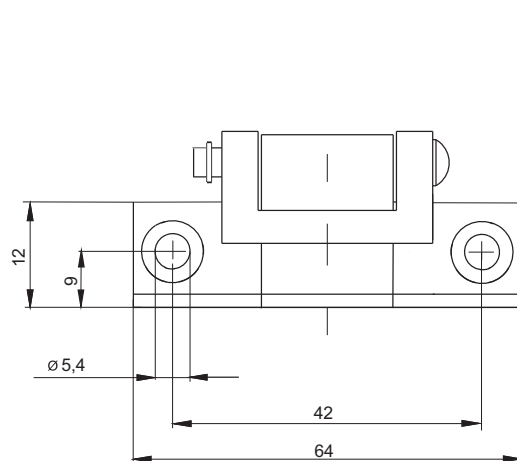
| CATALOGUE NUMBER | COMPONENTS | MATERIAL |
|---------------------|-------------------|-------------------|
| 3.ST16.001 | Base, Pin | Steel zinc plated |
| | Holder | Steel |
| 3.ST16.001SN | Holder, Base, Pin | Stainless steel |



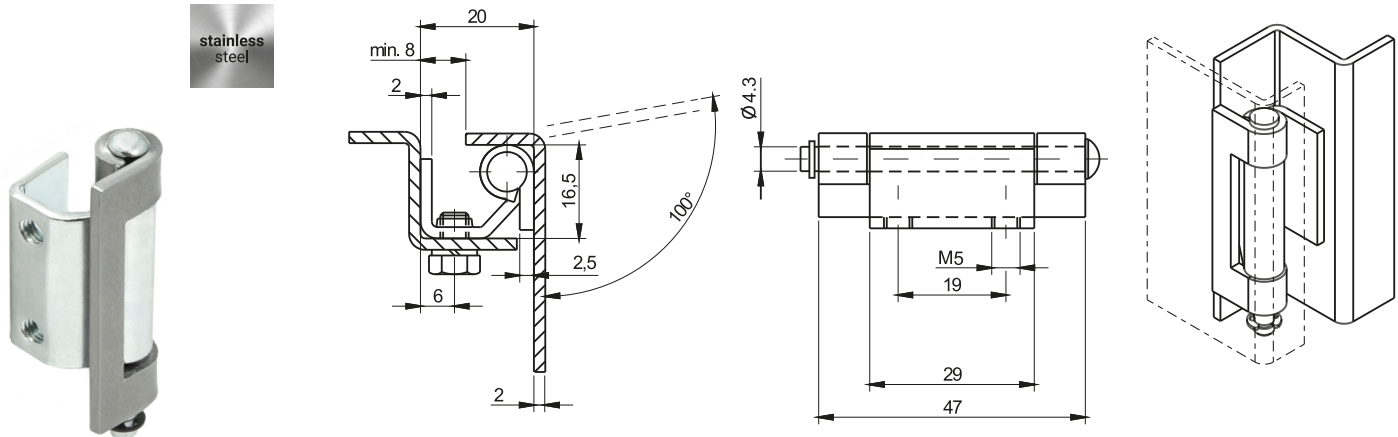
stainless steel



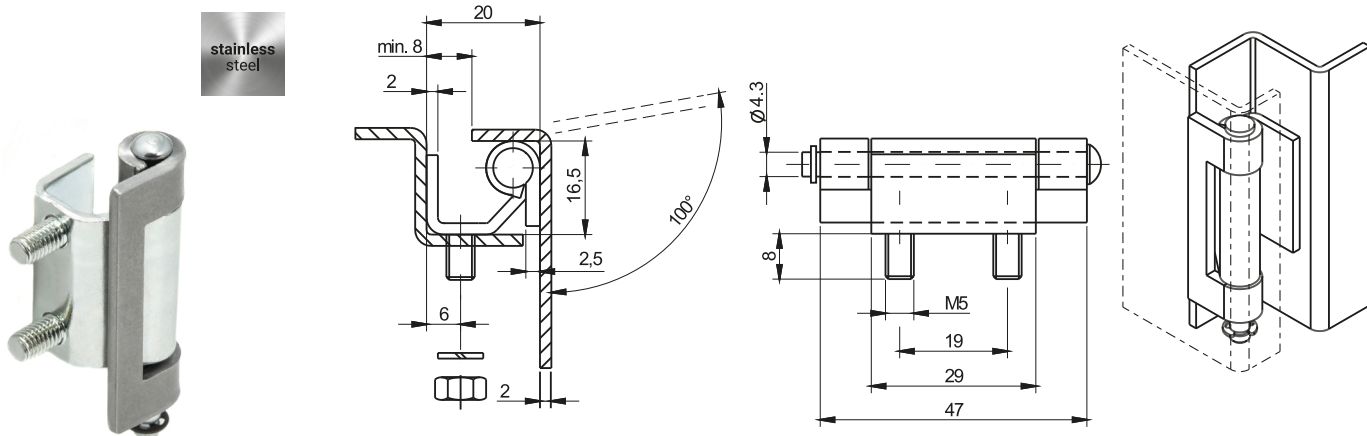
| CATALOGUE NUMBER | COMPONENTS | MATERIAL |
|-------------------|------------|-------------------|
| 3.ST16.004 | Holder | Steel |
| | Base, Pin | Steel zinc plated |
| | Spring | Stainless steel |



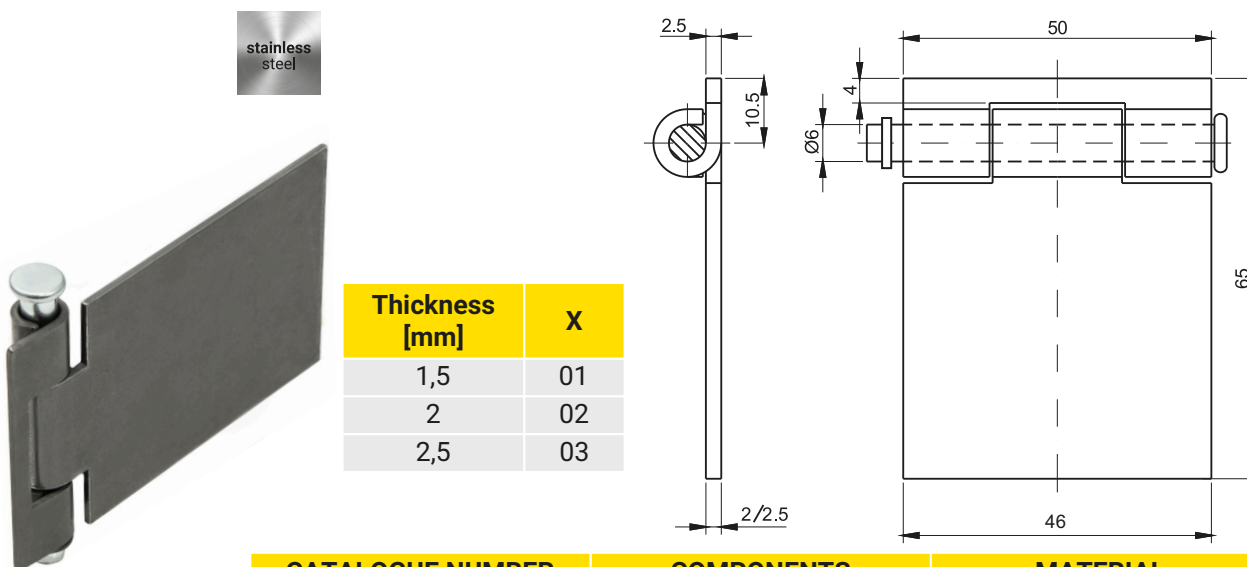
| CATALOGUE NUMBER | COMPONENTS | MATERIAL |
|-------------------|------------|-------------------|
| 3.ST16.006 | Base, Pin | Steel zinc plated |
| | Holder | Steel |



| CATALOGUE NUMBER | COMPONENTS | MATERIAL |
|------------------|-------------------|-------------------|
| 3.ST5.001 | Base, Pin | Steel zinc plated |
| | Holder | Steel |
| 3.ST5.001SN | Holder, Base, Pin | Stainless steel |

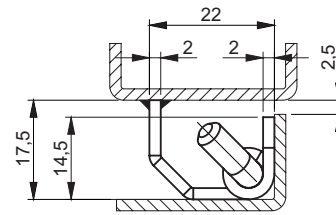
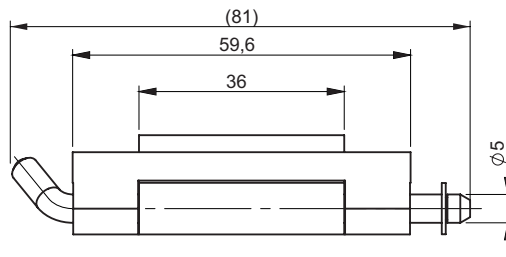


| CATALOGUE NUMBER | COMPONENTS | MATERIAL |
|------------------|-------------------|-------------------|
| 3.ST5.003 | Base, Pin | Steel zinc plated |
| | Holder | Steel |
| 3.ST5.003SN | Holder, Base, Pin | Stainless steel |

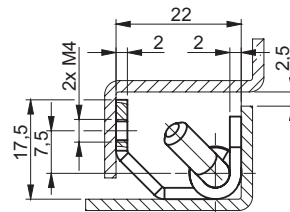
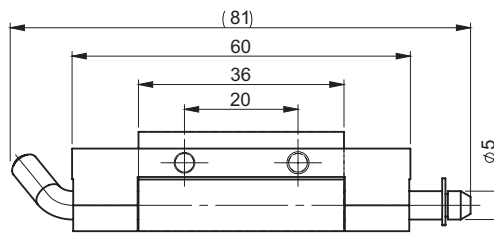


| CATALOGUE NUMBER | COMPONENTS | MATERIAL |
|------------------|-------------------|-------------------|
| 3.ST6.001.X | Holder, Base | Steel |
| | Pin | Steel zinc plated |
| 3.ST6.001SN.X | Holder, Base, Pin | Stainless steel |

stainless steel

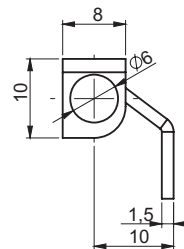
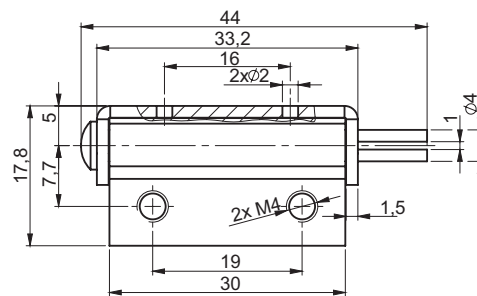


| CATALOGUE NUMBER | COMPONENTS | MATERIAL |
|------------------|-------------------|-----------------|
| 3.ST43.001 | Holder | Steel |
| | Pin, Base | Steel |
| 3.ST43.001SN | Holder, Base, Pin | Stainless steel |



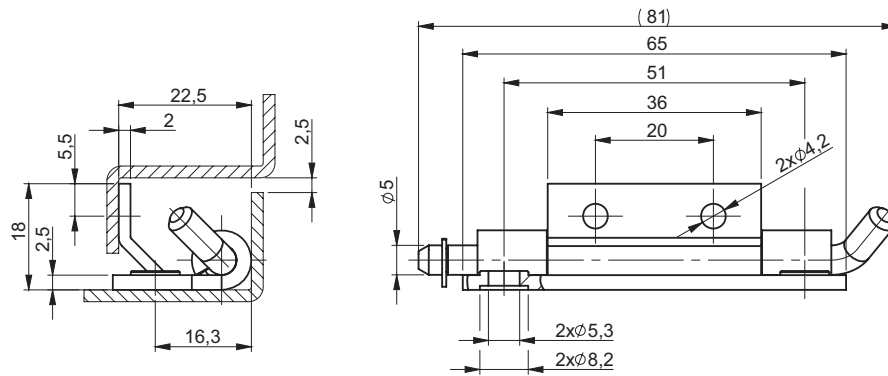
| CATALOGUE NUMBER | COMPONENTS | MATERIAL |
|------------------|-------------------|-------------------|
| 3.ST43.002 | Holder | Steel |
| | Pin, Base | Steel zinc plated |
| 3.ST43.002SN | Holder, Base, Pin | Stainless steel |

stainless steel



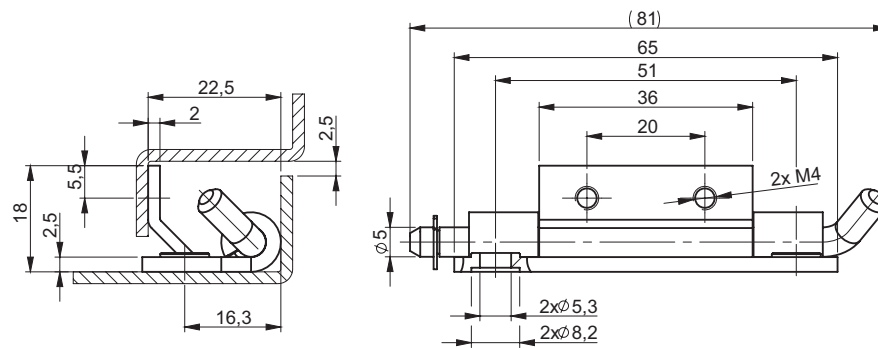
| CATALOGUE NUMBER | COMPONENTS | MATERIAL |
|------------------|-------------------|-------------------|
| 3.ST43-2.001 | Holder, Base, Pin | Steel zinc plated |
| 3.ST43-2.001SN | Holder, Base, Pin | Stainless steel |

stainless steel



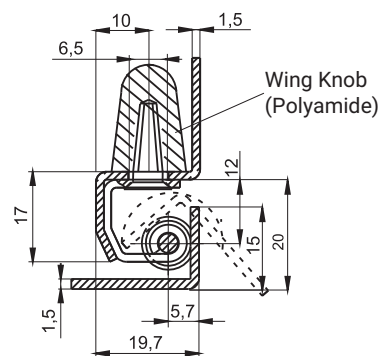
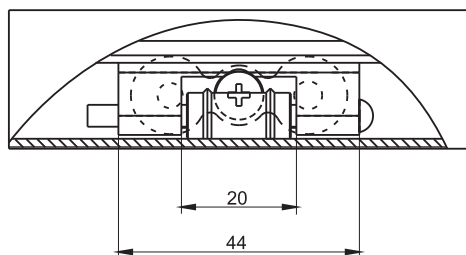
| CATALOGUE NUMBER | COMPONENTS | MATERIAL |
|------------------|-------------------|-------------------|
| 3.ST43.003 | Holder, Pin | Steel zinc plated |
| | Base | Steel zinc plated |
| 3.ST43.003SN | Holder, Base, Pin | Stainless steel |

stainless steel



| CATALOGUE NUMBER | COMPONENTS | MATERIAL |
|------------------|-------------------|-------------------|
| 3.ST43.004* | Holder, Pin | Steel zinc plated |
| | Base | Steel zinc plated |
| 3.ST43.004SN | Holder, Base, Pin | Stainless steel |

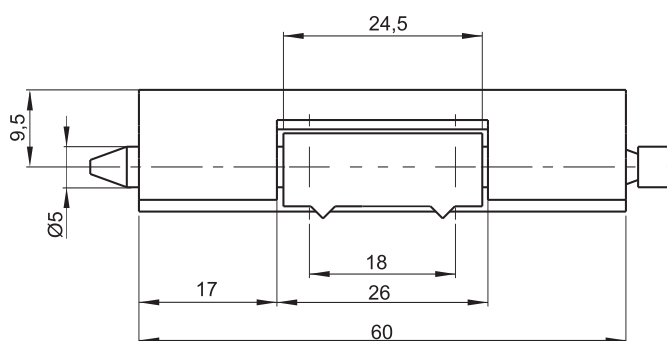
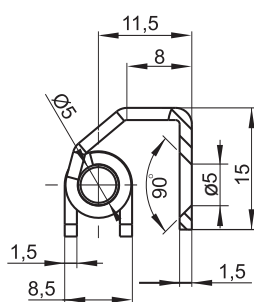
* - possibility to order the hinge version without cover



stainless steel



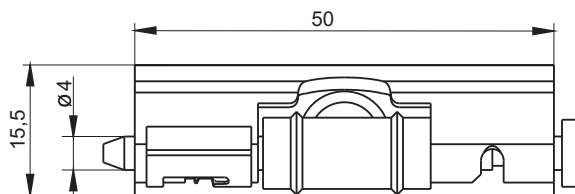
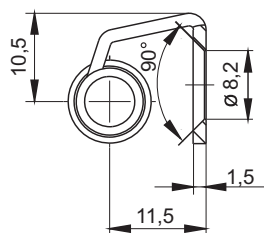
| CATALOGUE NUMBER | COMPONENTS | MATERIAL |
|------------------|-------------------|-------------------|
| 3.ST32.001 | Base, Pin | Steel zinc plated |
| | Holder | Steel |
| 3.ST32.001SN | Holder, Base, Pin | Stainless steel |



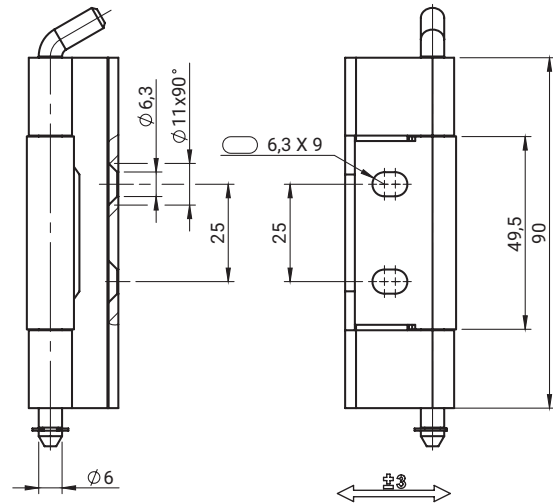
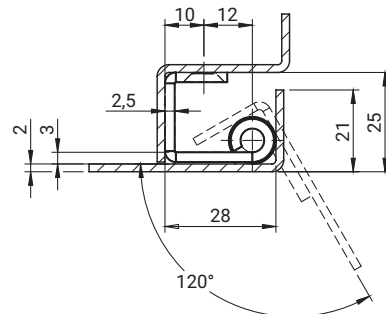
stainless steel



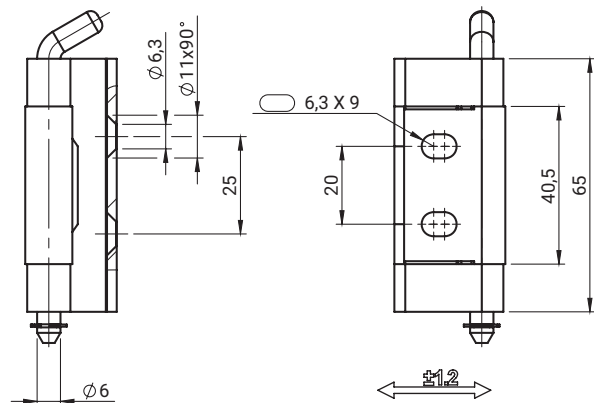
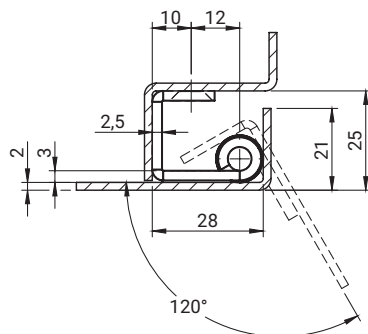
| CATALOGUE NUMBER | COMPONENTS | MATERIAL |
|------------------|-------------------|-------------------|
| 3.ST32.003 | Base, Pin | Steel zinc plated |
| | Holder | Steel |
| 3.ST32.003SN | Holder, Base, Pin | Stainless steel |



| CATALOGUE NUMBER | COMPONENTS | MATERIAL |
|------------------|------------|-------------------|
| 3.ST32.005 | Base, Pin | Steel zinc plated |
| | Holder | Steel |



| CATALOGUE NUMBER | COMPONENTS | MATERIAL |
|------------------|-------------------|-------------------|
| 3.ST12.001 | Holder, Base, Pin | Steel zinc plated |
| 3.ST12.001SN | Holder, Base, Pin | Stainless steel |

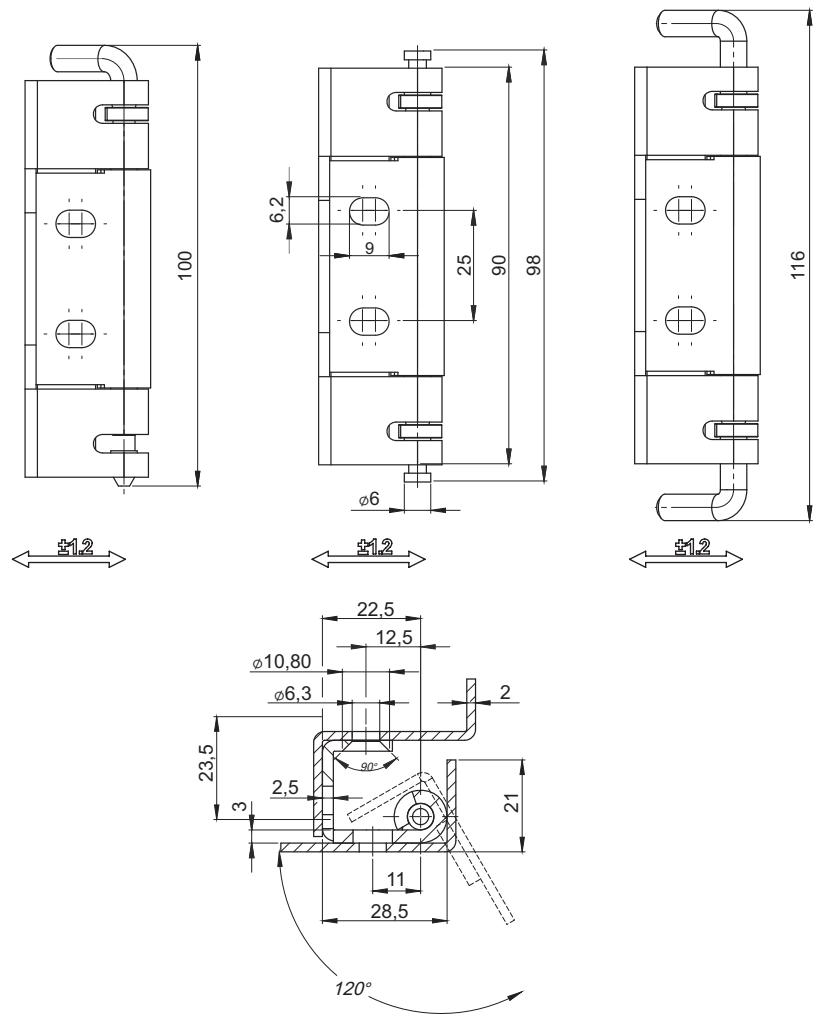


| CATALOGUE NUMBER | COMPONENTS | MATERIAL |
|------------------|-------------------|-------------------|
| 3.ST12-2.001 | Holder, Base, Pin | Steel zinc plated |
| 3.ST12-2.001SN | Holder, Base, Pin | Stainless steel |

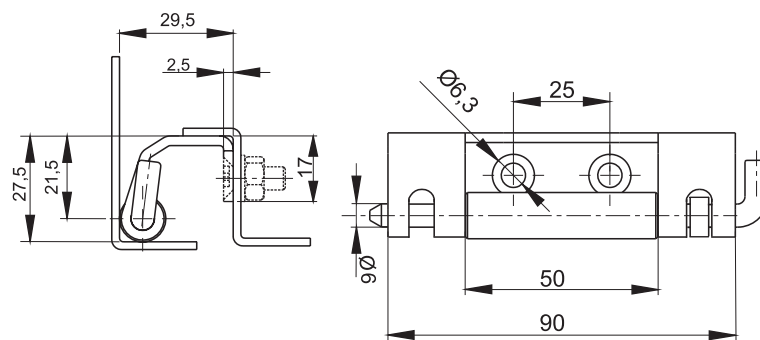
3.ST12B.001

3.ST12B.002

3.ST12B.003

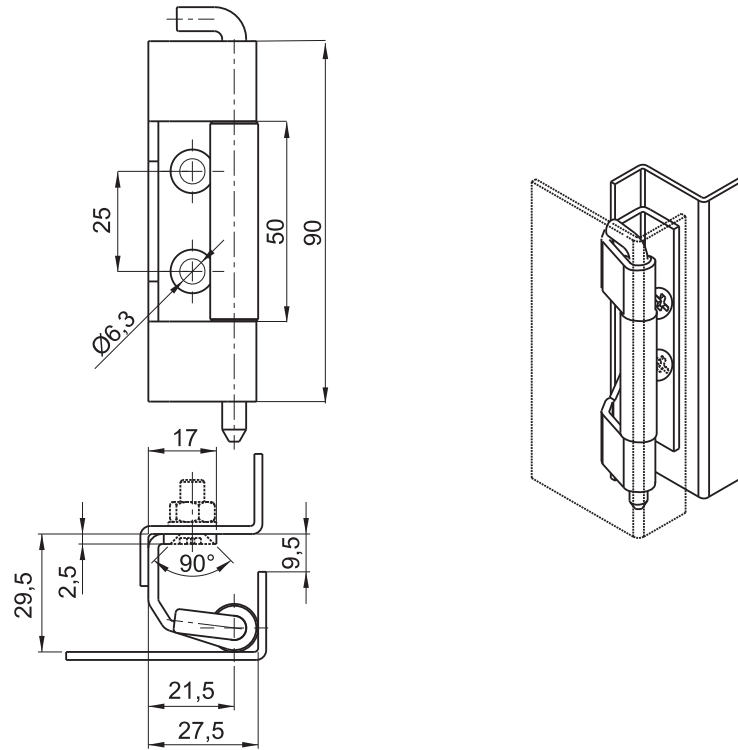


| CATALOGUE NO. | COMPONENTS | MATERIAL |
|---------------|-------------------|-------------------|
| 3.ST12B.001 | Holder, Base, Pin | Steel zinc plated |
| 3.ST12B.002 | Blockade | POM |
| 3.ST12B.003 | | |
| 3.ST12B.001SN | Holder, Base, Pin | Stainless steel |
| 3.ST12B.002SN | Blockade | POM |
| 3.ST12B.003SN | | |



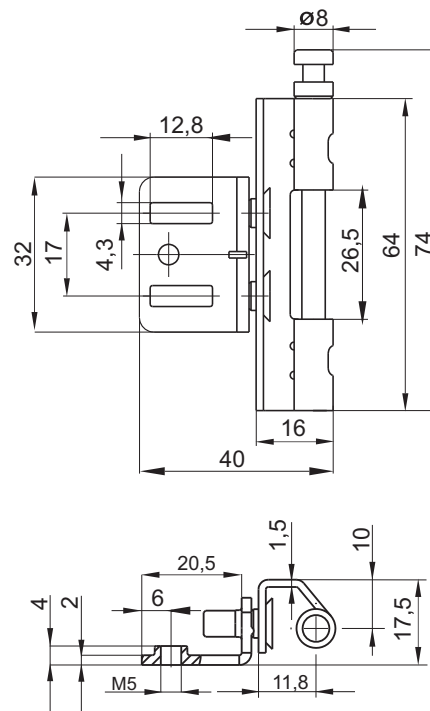
| CATALOGUE NUMBER | COMPONENTS | MATERIAL |
|------------------|-------------------|-------------------|
| 3.ST12-1B.001 | Holder, Base, Pin | Steel zinc plated |
| | Blocade | POM |
| 3.ST12-1B.001SN | Holder, Base, Pin | Stainless steel |

stainless steel

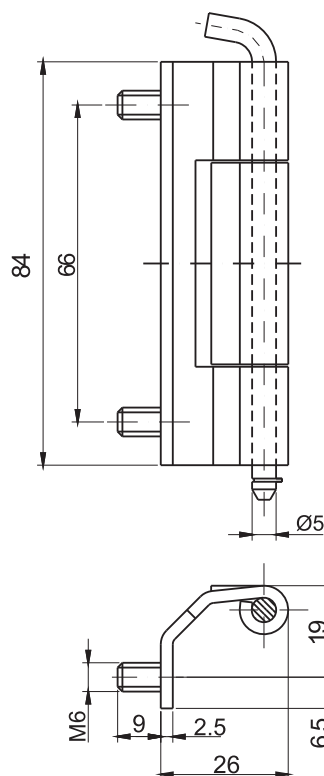


| CATALOGUE NUMBER | COMPONENTS | MATERIAL |
|------------------|-------------------|-------------------|
| 3.ST12-1.001 | Base, Pin | Steel zinc plated |
| | Holder | Steel |
| 3.ST12-1.001SN | Holder, Base, Pin | Stainless steel |

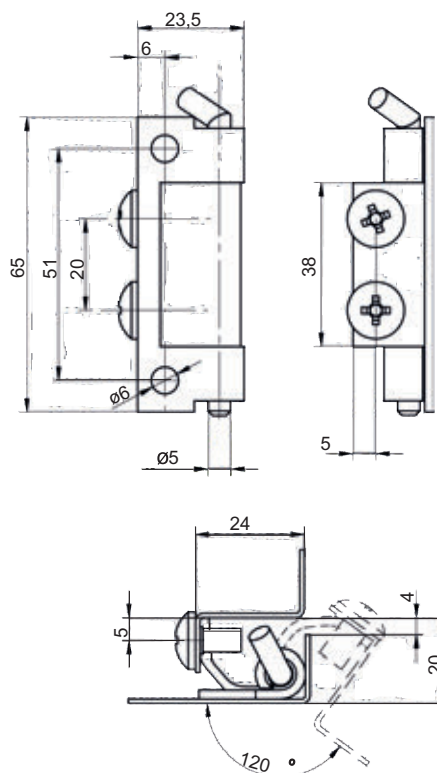
stainless steel



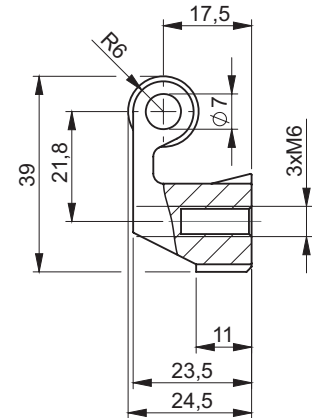
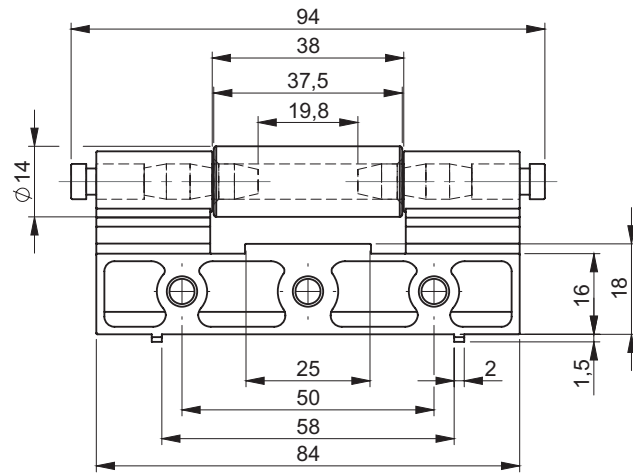
| CATALOGUE NUMBER | COMPONENTS | MATERIAL |
|------------------|-------------------|-------------------|
| 3.ST76.001 | Holder, Base, Pin | Steel zinc plated |
| 3.ST76.001SN | Holder, Base, Pin | Stainless steel |



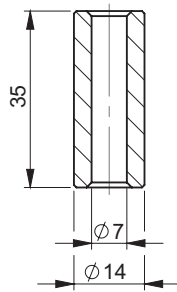
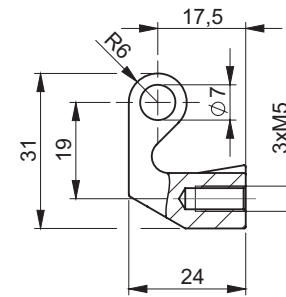
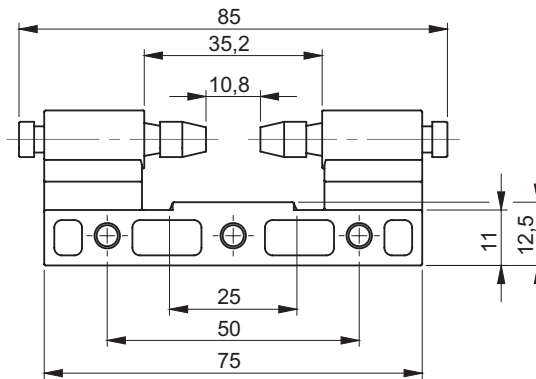
| CATALOGUE NUMBER | COMPONENTS | MATERIAL |
|------------------|-------------------|-------------------|
| 3.ST19-2.001 | Base, Pin | Steel zinc plated |
| | Holder | Steel |
| 3.ST19-2.001SN | Holder, Base, Pin | Stainless steel |



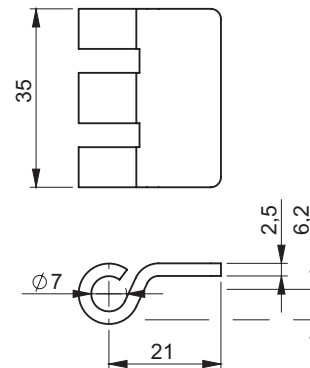
| CATALOGUE NUMBER | COMPONENTS | MATERIAL |
|------------------|-------------------|-------------------|
| 3.537.001 | Holder, Base, Pin | Steel zinc plated |
| 3.537.001SN | Holder, Base, Pin | Stainless steel |



| CATALOGUE NUMBER | COMPONENTS | MATERIAL | FINISH [C] |
|------------------|------------|-------------------|------------|
| | | | RAL 9005 |
| 3.ST556.001 | Holder | ZAMAK 5 | 04 |
| | Base, Pin | Steel zinc plated | |

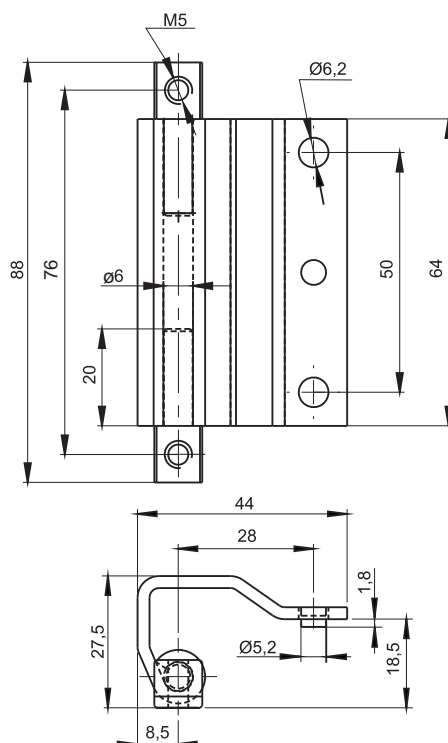


3.ST557.001



3.ST557.002

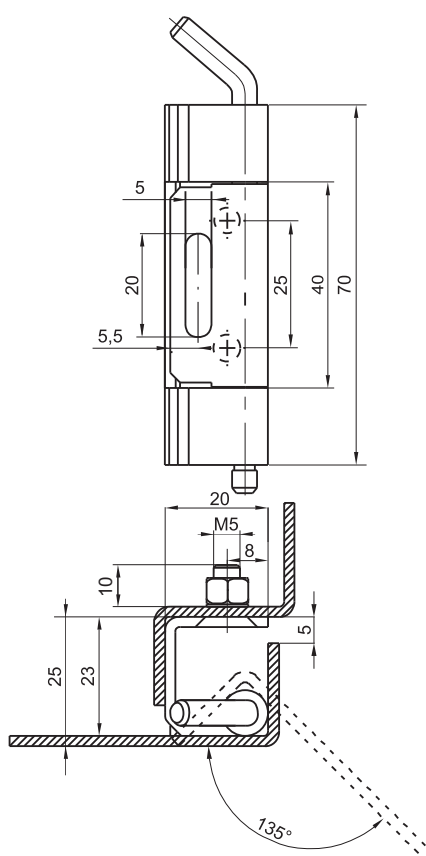
| CATALOGUE NUMBER | DETAIL | COMPONENTS | MATERIAL | FINISH [C] |
|------------------|-------------------------|-------------|-------------------|------------|
| | | | | RAL 9005 |
| 3.ST557.001 | ver. with a bushing | Base | ZAMAK 5 | 04 |
| 3.ST557.002 | ver. with a sheet metal | Holder, Pin | Steel zinc plated | |



stainless steel



| CATALOGUE NUMBER | COMPONENTS | MATERIAL |
|------------------|-------------------|-------------------|
| 3.ST40.001 | Holder, Base, Pin | Steel zinc plated |
| 3.ST40.001SN | Holder, Base, Pin | Sainless steel |



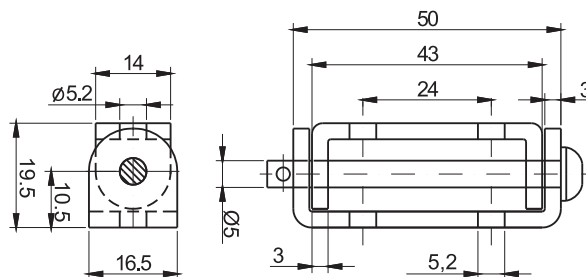
stainless steel



| CATALOGUE NUMBER | COMPONENTS | MATERIAL |
|------------------|-------------------|-------------------|
| 3.ST41.001 | Base, Pin | Steel zinc plated |
| | Holder | Steel |
| 3.ST41.001SN | Holder, Base, Pin | Sainless steel |



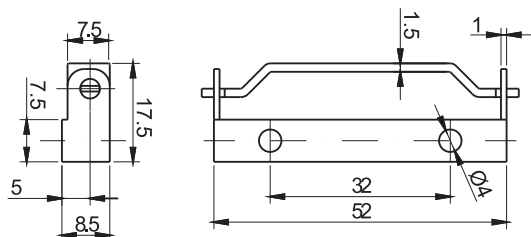
stainless steel



| CATALOGUE NUMBER | COMPONENTS | MATERIAL |
|------------------|-------------------|-------------------|
| 3.ST10.001 | Holder, Base, Pin | Steel zinc plated |
| 3.ST10.001SN | Holder, Base, Pin | Stainless steel |



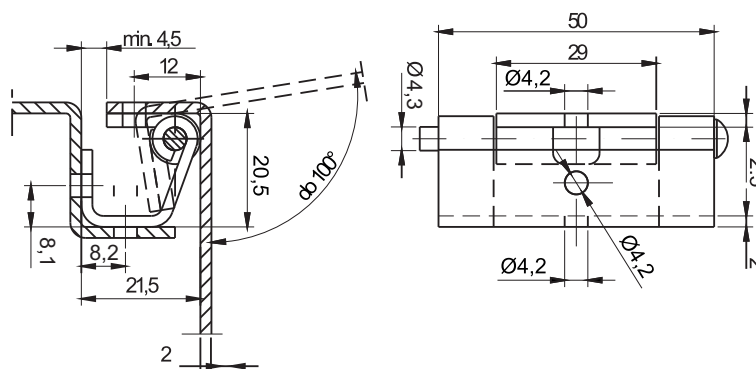
stainless steel



| CATALOGUE NUMBER | COMPONENTS | MATERIAL |
|------------------|-------------------|-------------------|
| 3.ST11.001 | Base, Pin | Steel zinc plated |
| | Holder | Steel |
| 3.ST11.001SN | Holder, Base, Pin | Sainless steel |



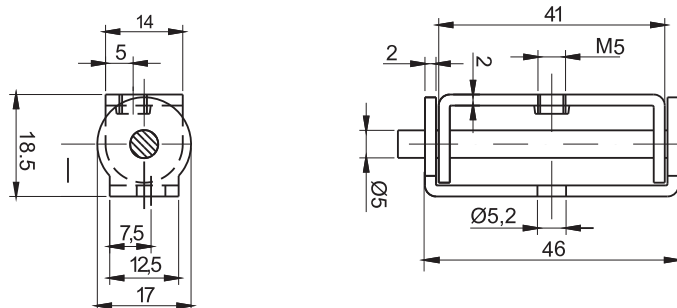
stainless steel



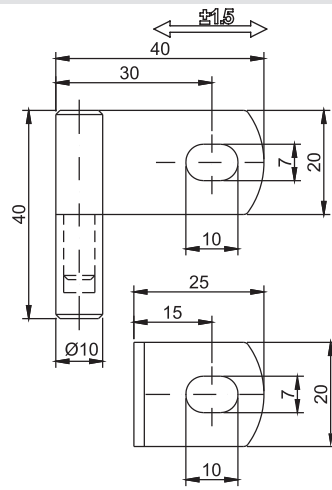
| CATALOGUE NUMBER | COMPONENTS | MATERIAL |
|------------------|-------------------|-------------------|
| 3.ST14.001 | Holder, Base, Pin | Steel zinc plated |
| 3.ST14.001SN | Holder, Base, Pin | Sainless steel |



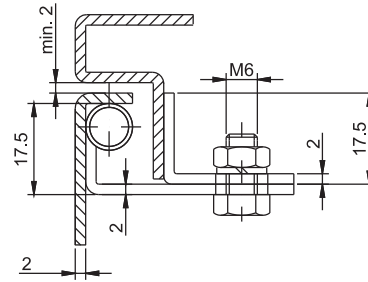
stainless steel



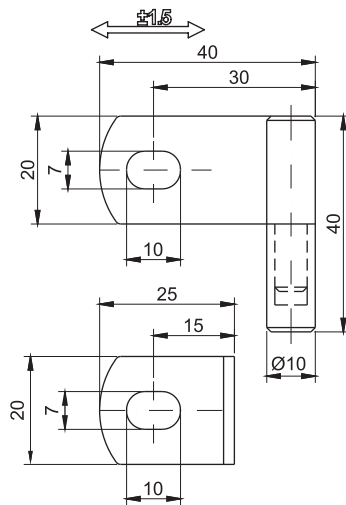
| CATALOGUE NUMBER | COMPONENTS | MATERIAL |
|------------------|-------------------|-------------------|
| 3.ST15.001 | Holder, Base, Pin | Steel zinc plated |
| 3.ST15.001SN | Holder, Base, Pin | Sainless steel |



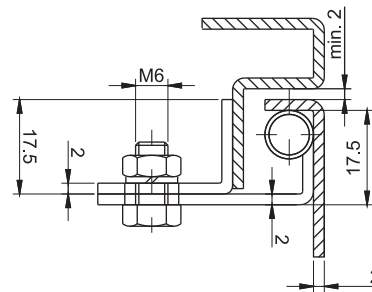
LEFT VERSION



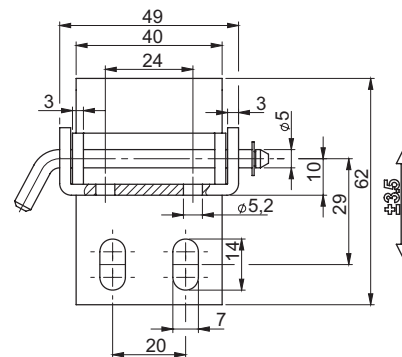
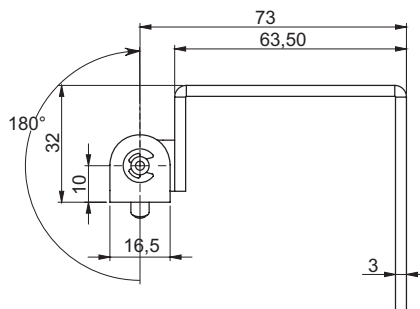
| CATALOGUE NUMBER | COMPONENTS | MATERIAL |
|------------------|-----------------------|-------------------|
| 3.ST8.001 | Fixed holder (screws) | Steel zinc plated |
| | Welded base | Steel |
| 3.ST8.001SN | Holder, Base | Sainless steel |



RIGHT VERSION

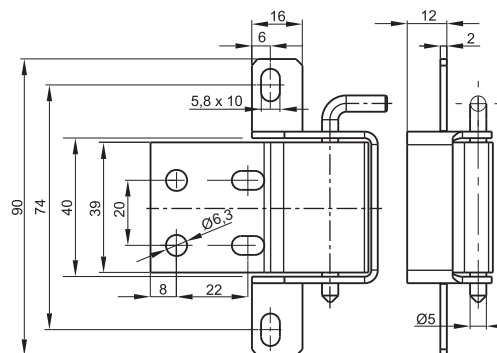
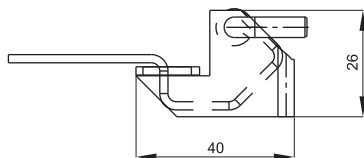
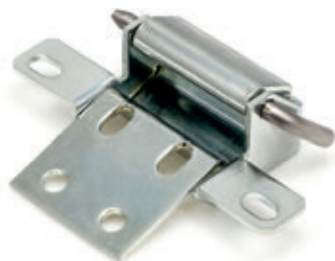


| CATALOGUE NUMBER | COMPONENTS | MATERIAL |
|------------------|-----------------------|-------------------|
| 3.ST8.002 | Fixed holder (screws) | Steel zinc plated |
| | Welded base | Steel |
| 3.ST8.002SN | Holder, Base | Sainless steel |



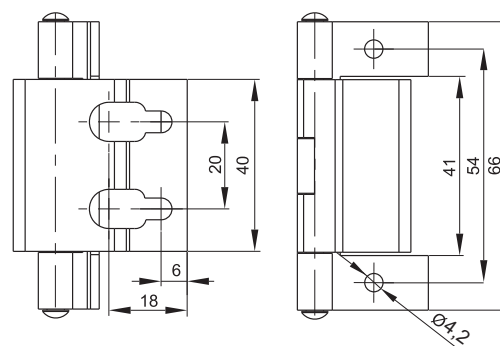
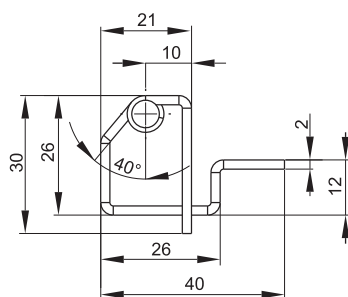
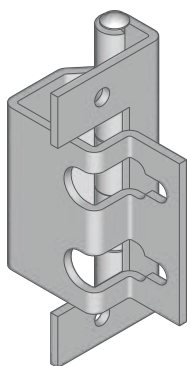
| CATALOGUE NUMBER | COMPONENTS | MATERIAL |
|------------------|-------------------|-------------------|
| 3.ST9.001 | Holder, Base, Pin | Steel zinc plated |
| 3.ST9.001SN | Holder, Base, Pin | Sainless steel |

stainless steel



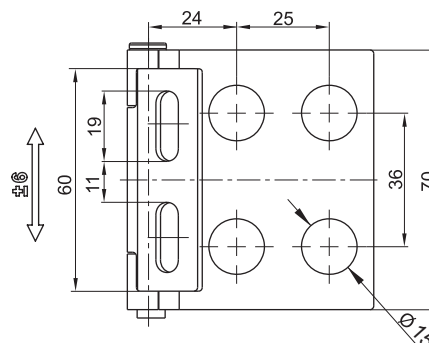
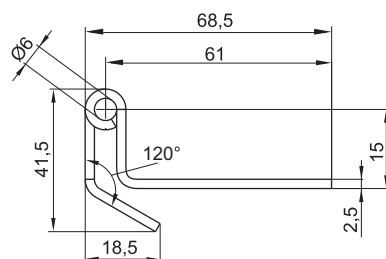
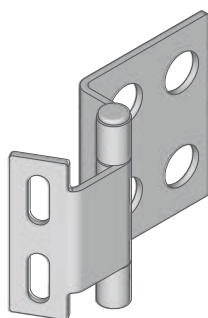
| CATALOGUE NUMBER | COMPONENTS | MATERIAL |
|------------------|-------------------|-------------------|
| 3.ST31.001 | Holder, Base, Pin | Steel zinc plated |
| 3.ST31.001SN | Holder, Base, Pin | Stainless steel |

stainless steel



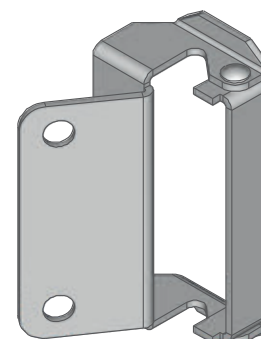
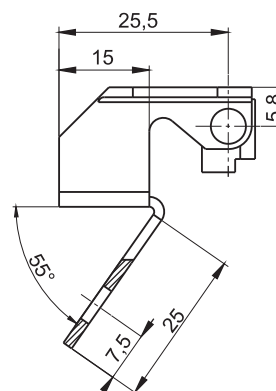
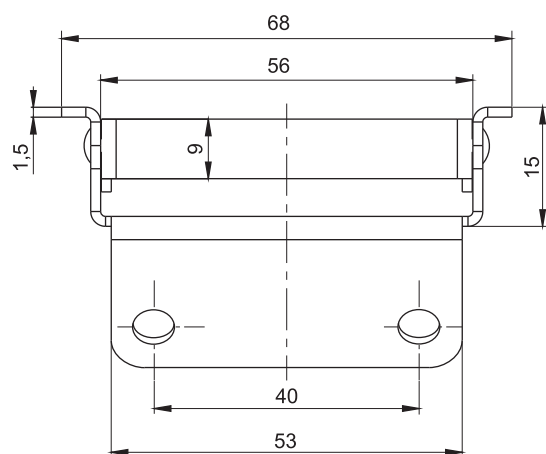
| CATALOGUE NUMBER | COMPONENTS | MATERIAL |
|------------------|-------------------|-------------------|
| 3.ST33.001 | Holder, Base, Pin | Steel zinc plated |
| 3.ST33.001SN | Holder, Base, Pin | Sainless steel |

stainless steel



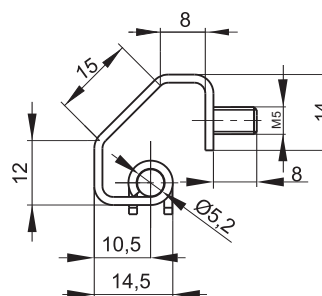
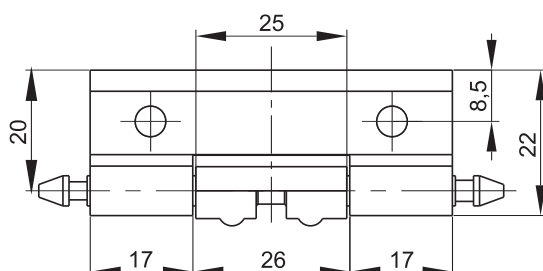
| CATALOGUE NUMBER | COMPONENTS | MATERIAL |
|------------------|-------------------|-------------------|
| 3.ST34.001 | Holder, Base, Pin | Steel zinc plated |
| 3.ST34.001SN | Holder, Base, Pin | Stainless steel |

stainless steel

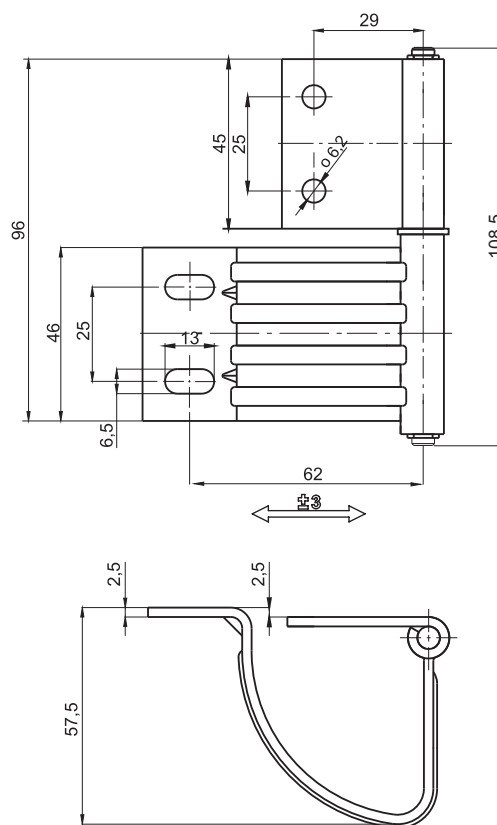


| CATALOGUE NUMBER | COMPONENTS | MATERIAL |
|------------------|-------------------|-------------------|
| 3.ST38.001 | Holder, Base, Pin | Steel zinc plated |
| 3.ST38.001SN | Holder, Base, Pin | Stainless steel |

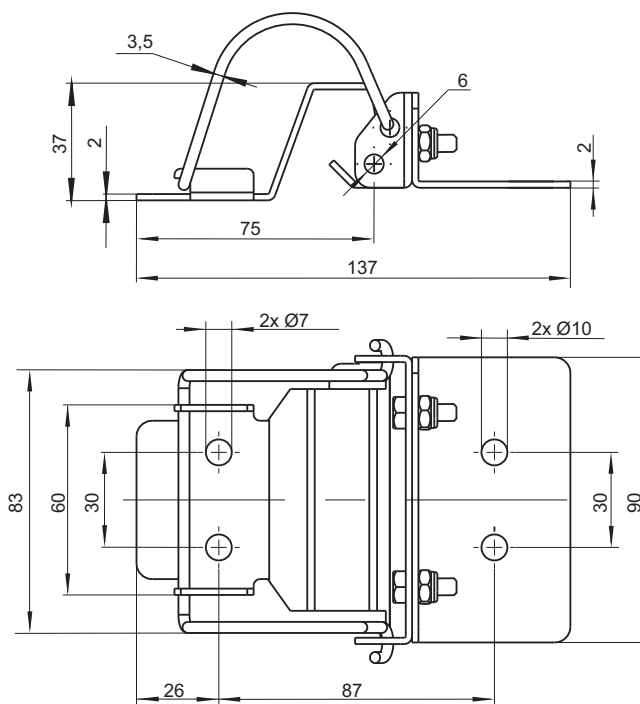
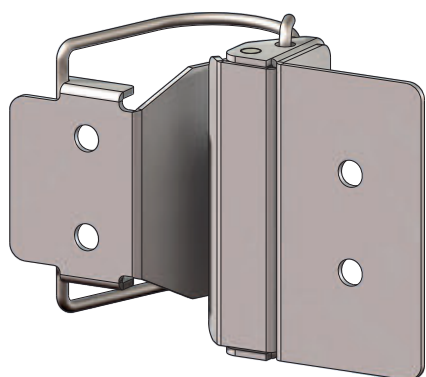
stainless steel



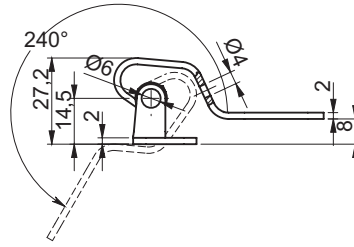
| CATALOGUE NUMBER | COMPONENTS | MATERIAL |
|------------------|-------------------|-------------------|
| 3.ST39.001 | Base, Pin | Steel zinc plated |
| | Holder | Steel |
| 3.ST39.001SN | Holder, Base, Pin | Stainless steel |



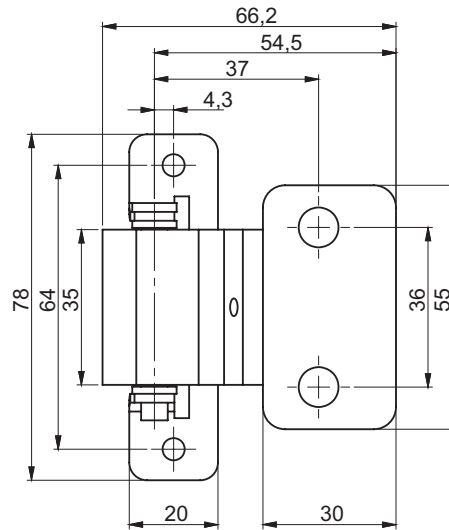
| CATALOGUE NUMBER | COMPONENTS | MATERIAL |
|------------------|-------------------|-------------------|
| 3.ST95.001 | Holder, Base, Pin | Steel zinc plated |
| 3.ST95.002SN | Holder, Base, Pin | Stainless steel |



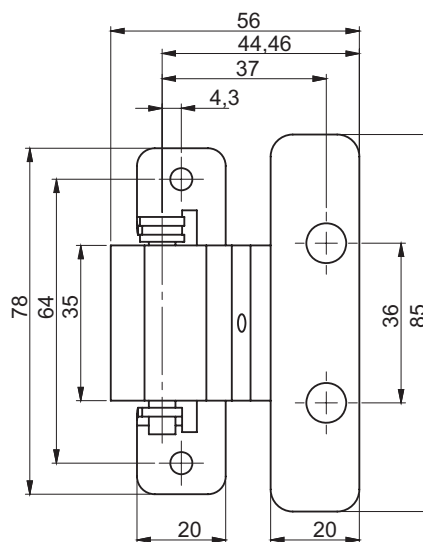
| CATALOGUE NUMBER | MATERIAL |
|------------------|-----------------|
| 3.ST120.001SN | Stainless steel |



3.ST118.001

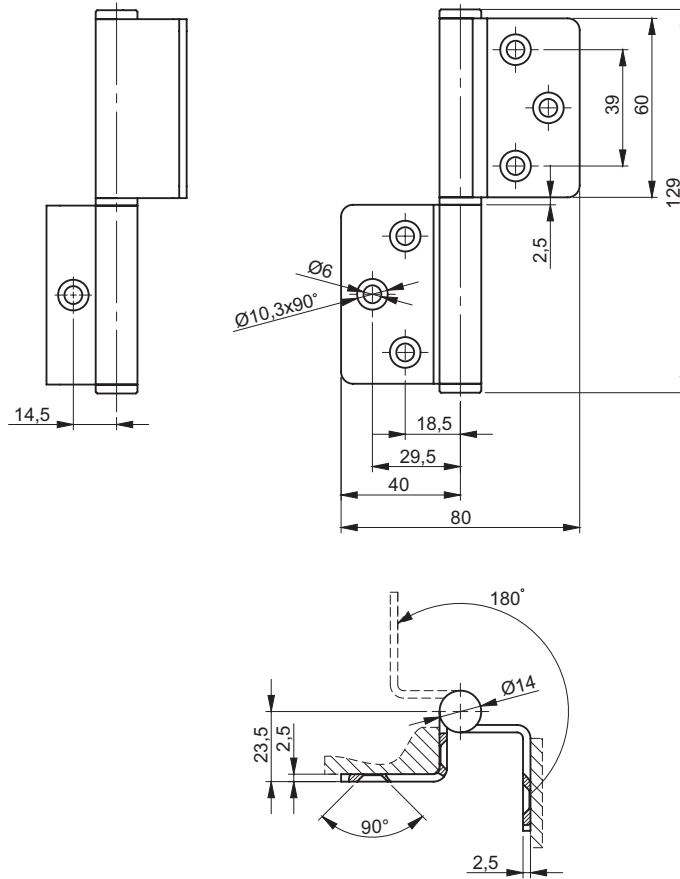


3.ST118.002



| CATALOGUE NUMBER | COMPONENTS | MATERIAL | FINISH [C] |
|----------------------|-------------------|-------------------|------------|
| | | | RAL 9005 |
| 3.ST118.001 | Holder, Base, | Steel zinc plated | 04 |
| | Pin | Stainless steel | |
| 3.ST118.001SN | Holder, Base, Pin | Stainless steel | |
| 3.ST118.002 | Holder, Base | Steel zinc plated | |
| | Pin | Stainless steel | |
| 3.ST118.002SN | Holder, Base, Pin | Stainless steel | |

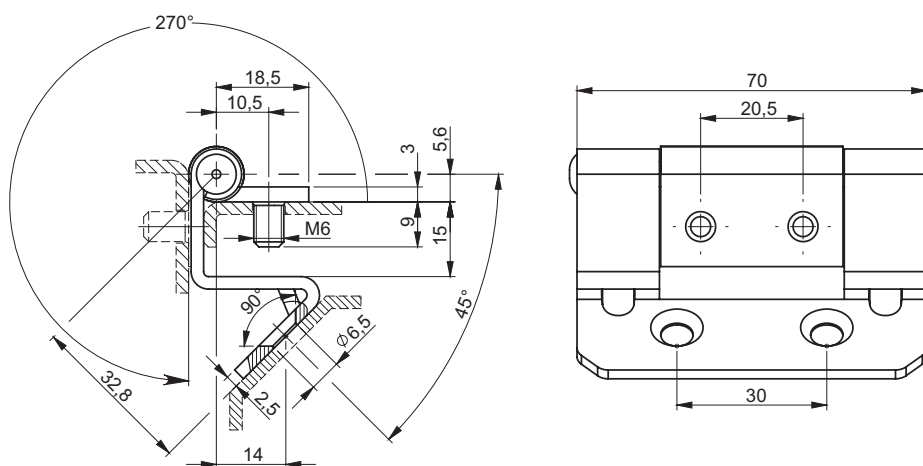
A - slide bushings made of plastics (POM)



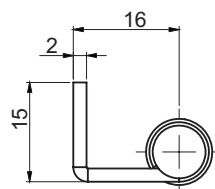
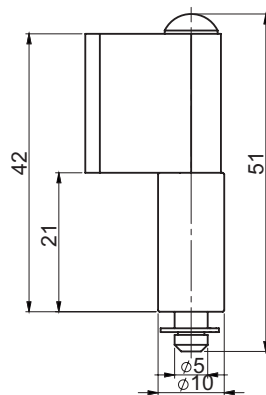
stainless steel



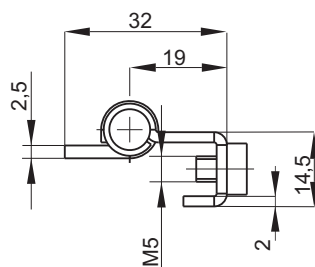
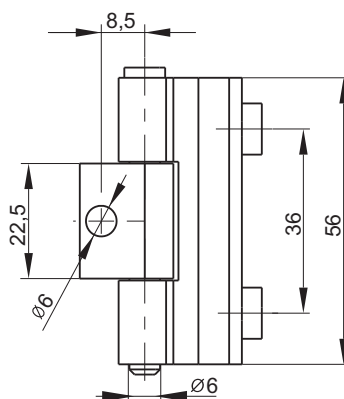
| CATALOGUE NUMBER | COMPONENTS | MATERIAL |
|------------------|-------------------|-------------------|
| 3.ST121.001 | Holder, Base, Pin | Steel zinc plated |
| 3.ST121.001SN | Holder, Base, Pin | Stainless steel |



| CATALOGUE NUMBER | COMPONENTS | MATERIAL |
|------------------|--------------|-------------------|
| 3.ST119.001 | Holder, Base | Steel zinc plated |
| | Pin | Stainless steel |

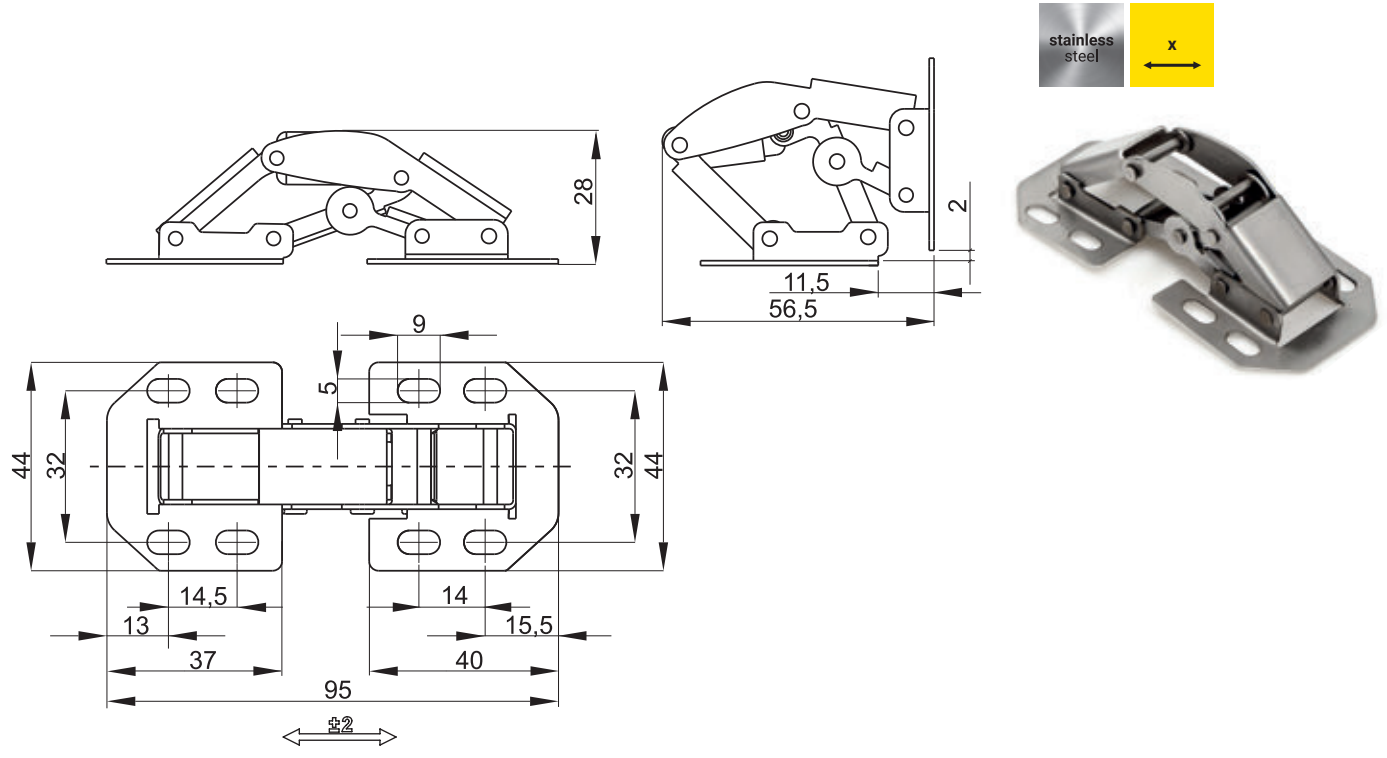


| CATALOGUE NUMBER | COMPONENTS | MATERIAL |
|------------------|--------------|-------------------|
| 3.ST105.001 | Holder, Base | Steel |
| | Pin | Steel zinc plated |

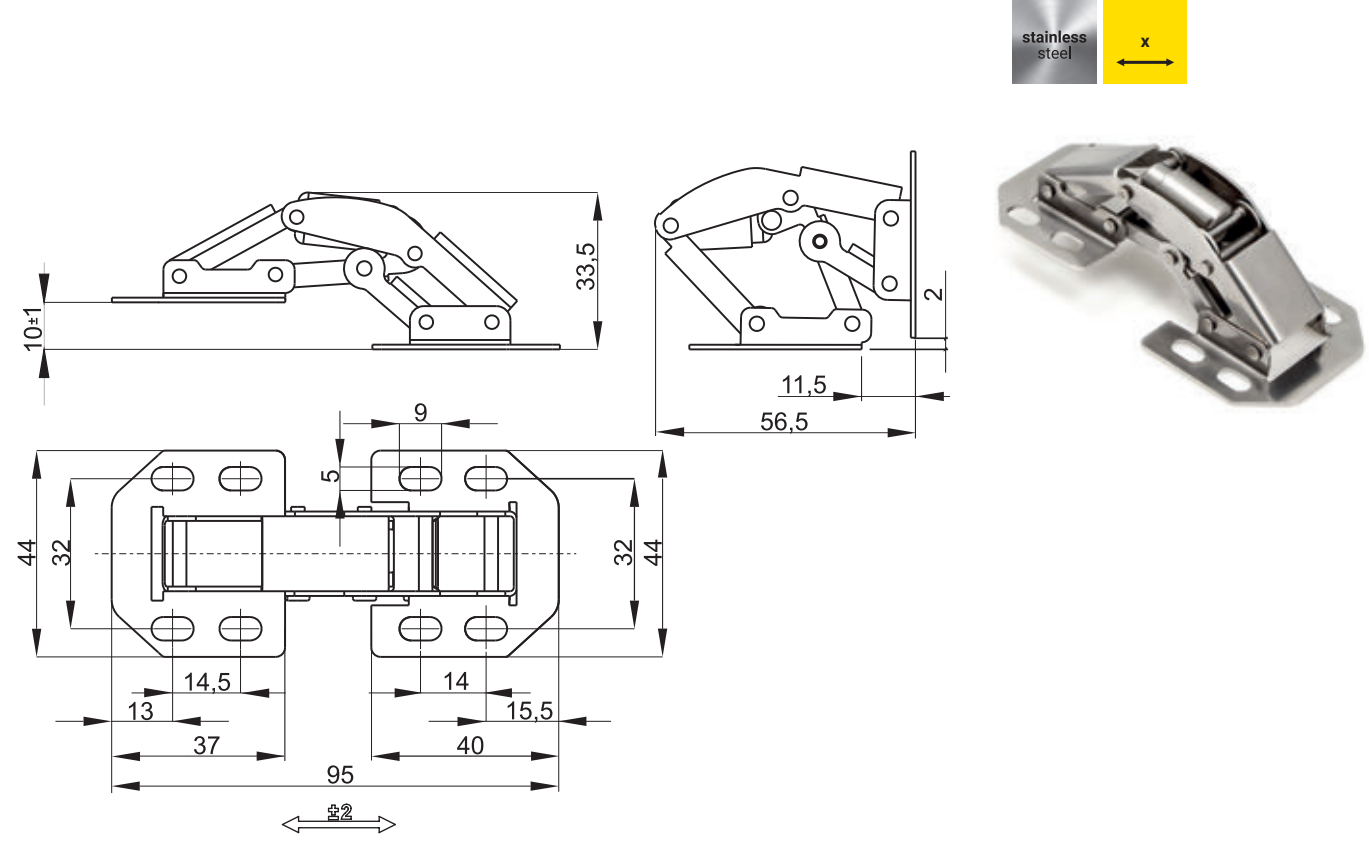


Two screws in the set DIN 7985 M5x6

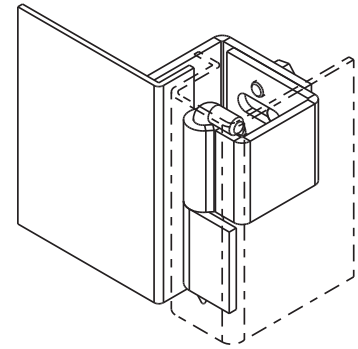
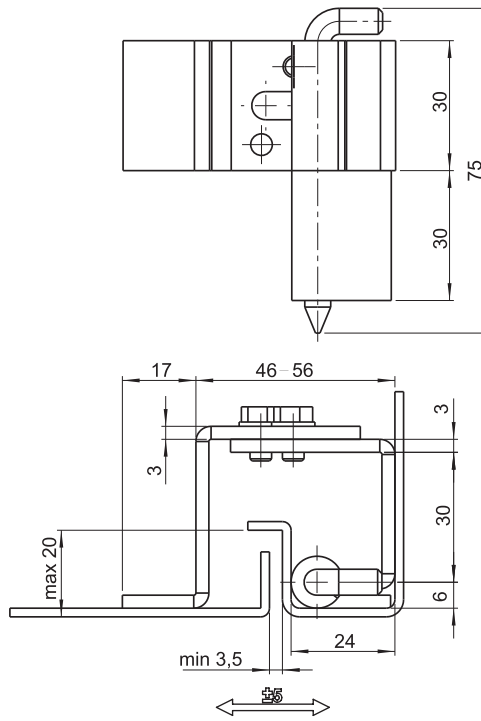
| CATALOGUE NUMBER | COMPONENTS | MATERIAL |
|------------------|------------|-------------------|
| 3.ST112.001 | Base, Pin | Steel zinc plated |
| | Holder | Copper-clad steel |



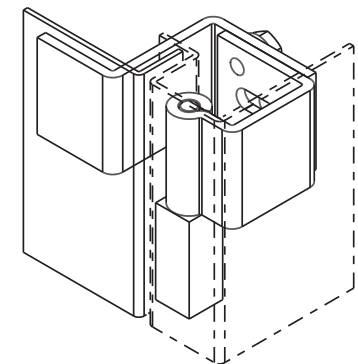
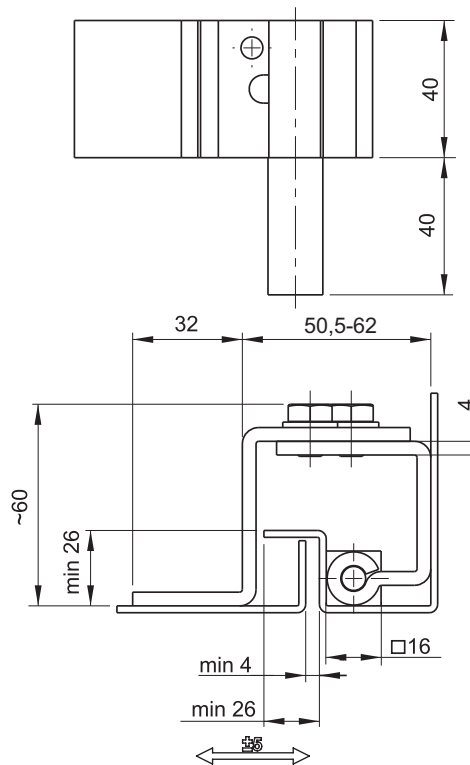
| CATALOGUE NUMBER | COMPONENTS | MATERIAL |
|------------------|------------------|-------------------|
| 3.ST100.001 | Base, Pin, Rivet | Steel zinc plated |
| 3.ST100.001SN | Base, Pin, Rivet | Stainless steel |



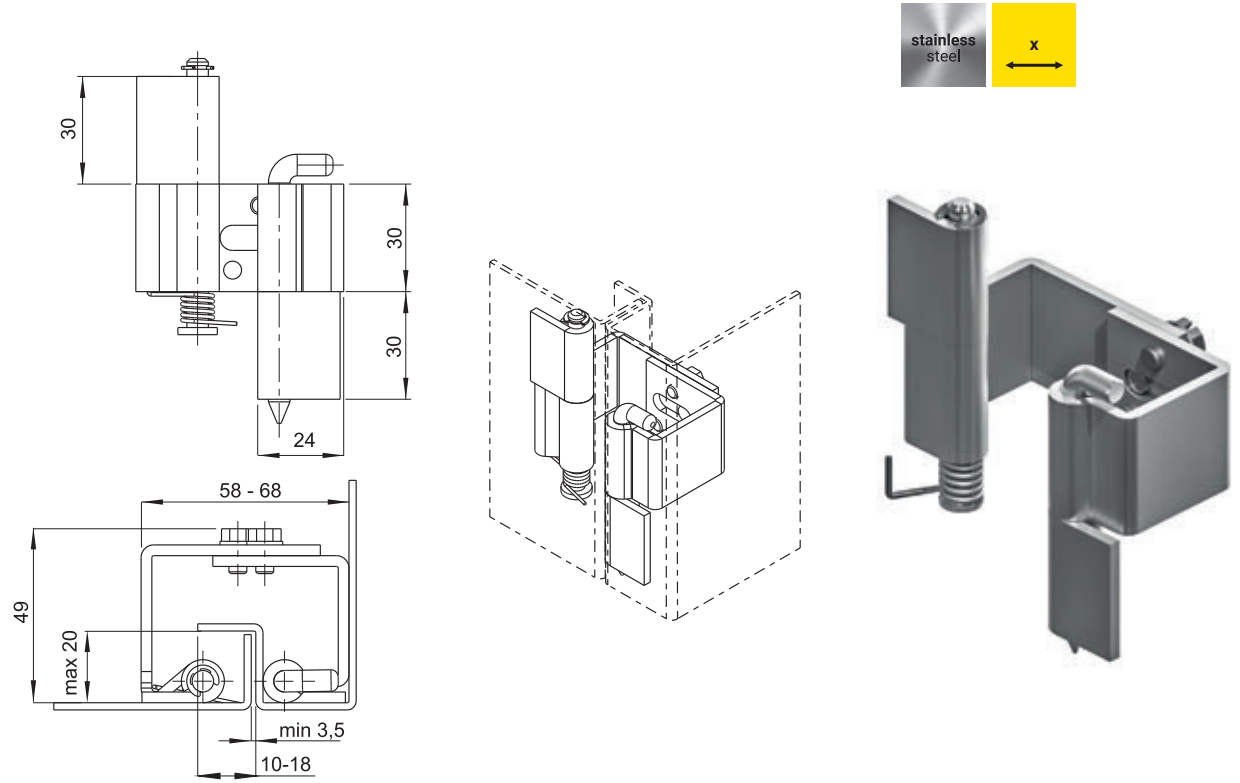
| CATALOGUE NUMBER | COMPONENTS | MATERIAL |
|------------------|------------------|-------------------|
| 3.ST100.002 | Base, Pin, Rivet | Steel zinc plated |
| 3.ST100.002SN | Base, Pin, Rivet | Stainless steel |



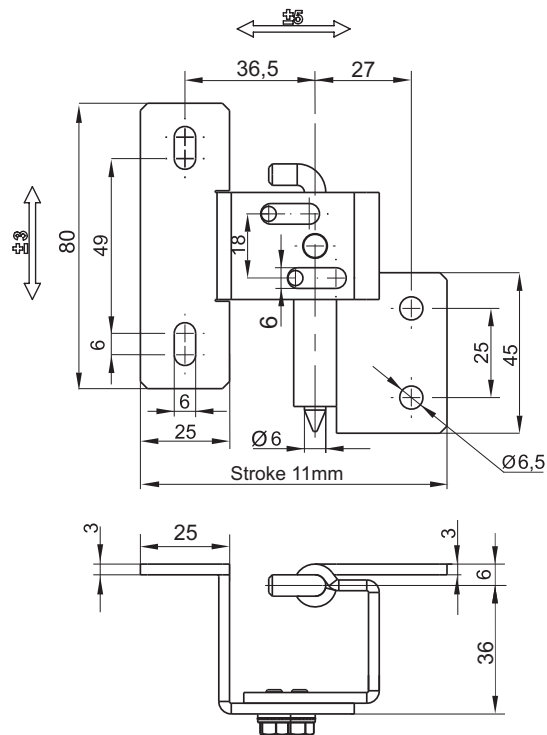
| CATALOGUE NUMBER | COMPONENTS | MATERIAL |
|------------------|-------------------|-------------------|
| 3.ST46.001 | Holder, Pin | Steel zinc plated |
| | Base | Steel |
| 3.ST46.001SN | Holder, Base, Pin | Stainless steel |



| CATALOGUE NUMBER | COMPONENTS | MATERIAL |
|------------------|-------------------|-------------------|
| 3.ST46-2.001 | Holder | Steel |
| | Base | Steel zinc plated |
| 3.ST46-2.001SN | Holder, Base, Pin | Stainless steel |

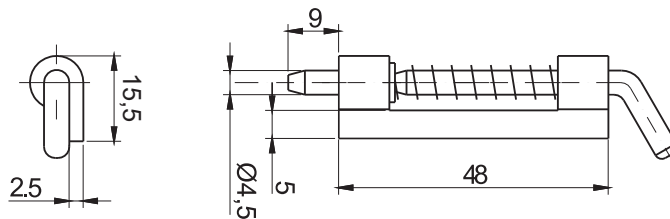


| CATALOGUE NUMBER | COMPONENTS | MATERIAL |
|------------------|-------------------|-------------------|
| 3.ST46-3.002 | Holder, Pin | Steel zinc plated |
| | Base | Steel zinc plated |
| 3.ST46-3.002SN | Holder, Base, Pin | Stainless steel |



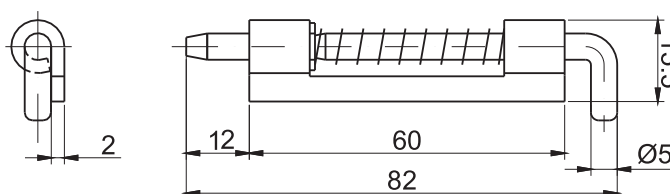
| CATALOGUE NUMBER | COMPONENTS | MATERIAL |
|------------------|-------------------|-------------------|
| 3.ST46-4.001 | Holder, Base, Pin | Steel zinc plated |
| 3.ST46-4.001SN | Holder, Base, Pin | Stainless steel |

stainless steel



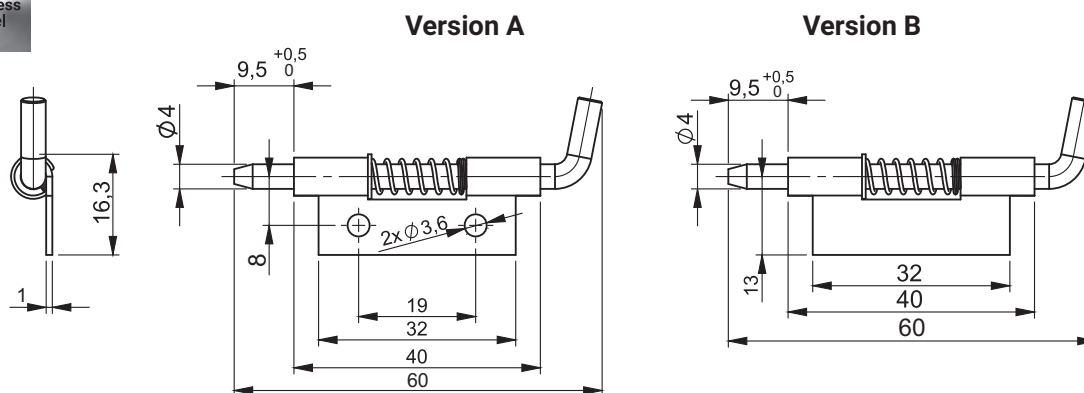
| CATALOGUE NUMBER | COMPONENTS | MATERIAL |
|------------------|---------------------|-------------------|
| 3.ST20.001 | Holder | Steel |
| | Pin, Spring | Steel zinc plated |
| | Spring | Stainless steel |
| 3.ST20.001SN | Holder, Pin, Spring | Stainless steel |

stainless steel



| CATALOGUE NUMBER | COMPONENTS | MATERIAL |
|------------------|---------------------|-------------------|
| 3.ST20.002 | Holder | Steel |
| | Pin, Spring | Steel zinc plated |
| 3.ST20.002SN | Holder, Pin, Spring | Stainless steel |

stainless steel

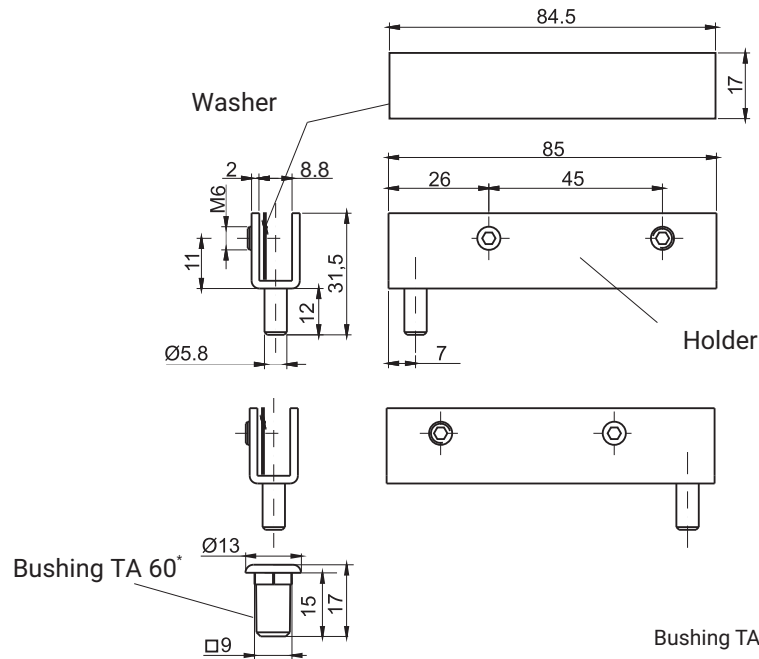


| CATALOGUE NUMBER | VERSION | COMPONENTS | MATERIAL |
|------------------|---------|---------------------|-------------------|
| 3.ST20.003 | A | Holder, Pin, Spring | Steel zinc plated |
| | | Spring | Stainless steel |
| 3.ST20.003SN | A | Holder, Pin, Spring | Stainless steel |
| 3.ST20.003 | B | Holder | Steel |
| | | Pin | Steel zinc plated |
| | | Spring | Stainless steel |
| 3.ST20.003SN | B | Holder, Pin, Spring | Stainless steel |

How to order:

Catalogue number
Version

3.ST20.003 — A

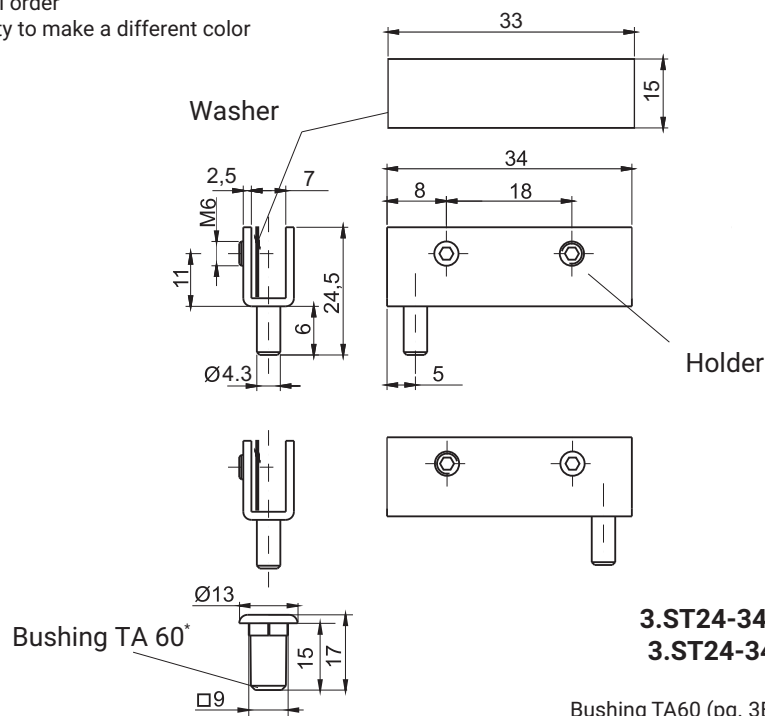


3.ST24.001 - right version
3.ST24.002 - left version

Bushing TA60 (pg. 3B-32) ordered seperately.

| CATALOGUE NUMBER | COMPONENTS | MATERIAL | FINISH [C] | |
|------------------|------------|-------------------|------------|---------|
| | | | RAL9005 | RAL7035 |
| 3.ST24.001 | Holder | Steel zinc plated | 04 | 05 |
| | Washer | Brass | | |
| 3.ST24.002 | Holder | Steel zinc plated | 04 | 05 |
| | Washer | Brass | | |

* to special order
** possibility to make a different color



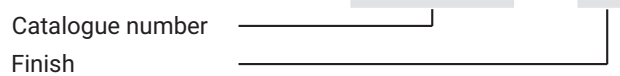
3.ST24-34.001 - right version
3.ST24-34.002 - left version

Bushing TA60 (pg. 3B-323) ordered seperately.

| CATALOGUE NUMBER | COMPONENTS | MATERIAL | FINISH [C] | |
|------------------|------------|-------------------|------------|---------|
| | | | RAL9005 | RAL7035 |
| 3.ST24-34.001 | Holder | Steel zinc plated | 04 | 05 |
| | Washer | Brass | | |
| 3.ST24-34.002 | Holder | Steel zinc plated | 04 | 05 |
| | Washer | Brass | | |

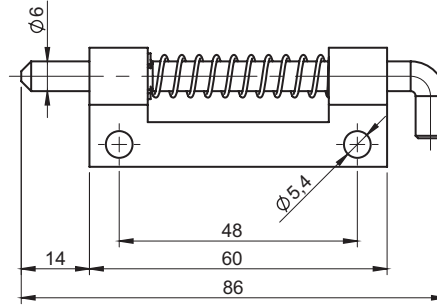
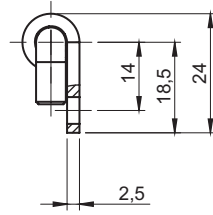
* to special order, ** possibility to make a different color

How to order:





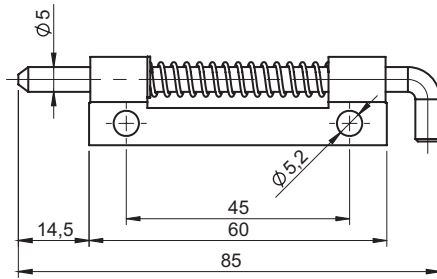
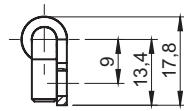
stainless steel



| CATALOGUE NUMBER | COMPONENTS | MATERIAL |
|------------------|-------------|-------------------|
| 3.ST20.004 | Holder, Pin | Steel zinc plated |
| 3.ST20.004SN | Holder, Pin | Stainless steel |



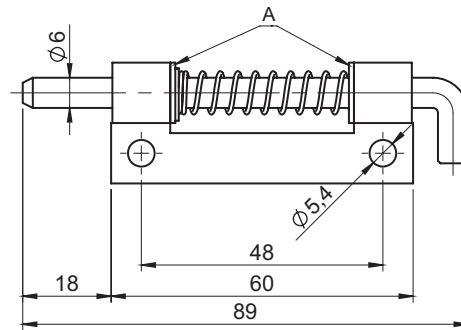
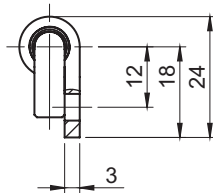
stainless steel



| CATALOGUE NUMBER | COMPONENTS | MATERIAL |
|------------------|-------------|-------------------|
| 3.ST20.005 | Holder, Pin | Steel zinc plated |
| 3.ST20.005SN | Holder, Pin | Stainless steel |



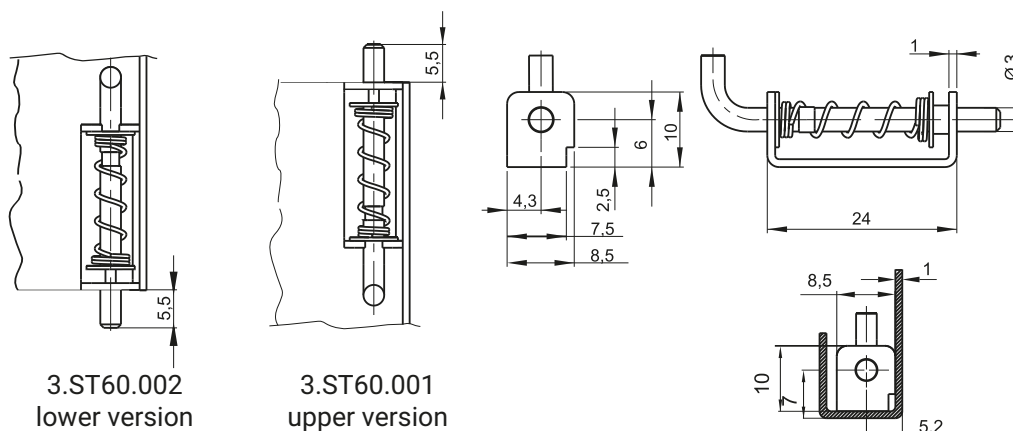
stainless steel



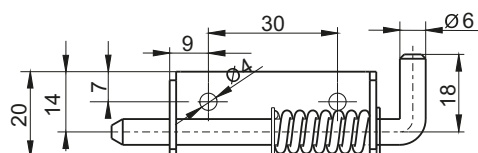
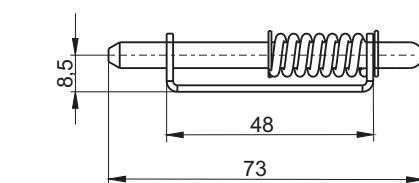
A - slide bushings made of plastics

| CATALOGUE NUMBER | COMPONENTS | MATERIAL |
|------------------|--------------------|-------------------|
| 3.ST20.010 | Holder, Pin | Steel zinc plated |
| | Plain bearing bush | POM |
| 3.ST20.010SN | Holder, Pin | Stainless steel |

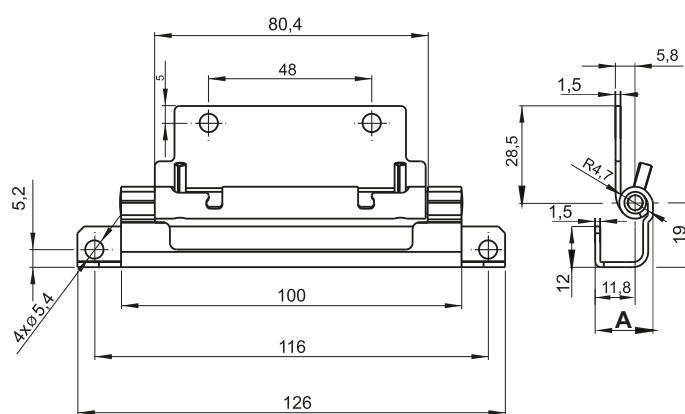
Hinge 3.ST60, 3.ST65



| CATALOGUE NUMBER | COMPONENTS | MATERIAL |
|------------------|------------|-------------------|
| 3.ST60.001 | Holder | Steel |
| 3.ST60.002 | Pin | Steel zinc plated |

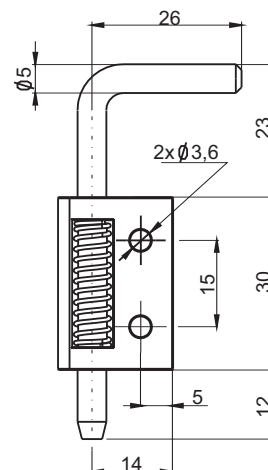
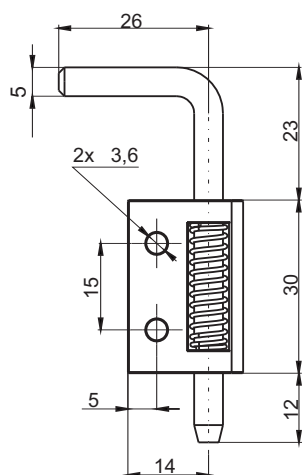
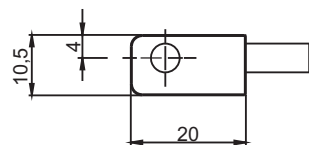
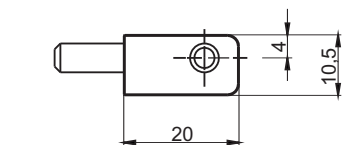


| CATALOGUE NUMBER | COMPONENTS | MATERIAL |
|------------------|-------------|-------------------|
| 3.ST60.003 | Holder, Pin | Steel zinc plated |
| 3.ST60.004 | Holder, Pin | Steel zinc plated |



stainless steel

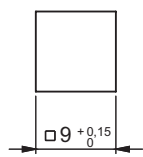
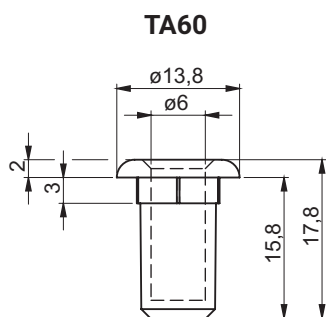
| CATALOGUE NUMBER | DIMENSIONS A [mm] | COMPONENTS | MATERIAL |
|------------------|-------------------|-------------------|-------------------|
| 3.ST65.001 | 17 | Holder, Base, Pin | Steel zinc plated |
| 3.ST65.002 | 20 | | |
| 3.ST65.003 | 23,4 | | |
| 3.ST65.001SN | 17 | Holder, Base, Pin | Stainless steel |
| 3.ST65.002SN | 20 | | |
| 3.ST65.003SN | 23,4 | | |



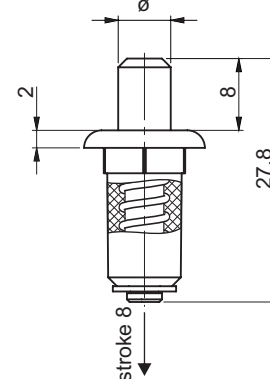
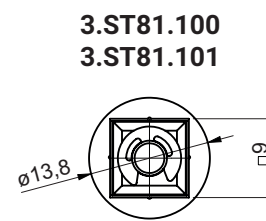
3.ST94.001

3.ST94.002

| CATALOGUE NUMBER | COMPONENTS | MATERIAL | FINISH [C] |
|------------------|------------|-------------------|------------|
| | | | RAL9005 |
| 3.ST94.001 | Holder | Polyamide | 07 |
| 3.ST94.002 | Pin | Steel zinc plated | |

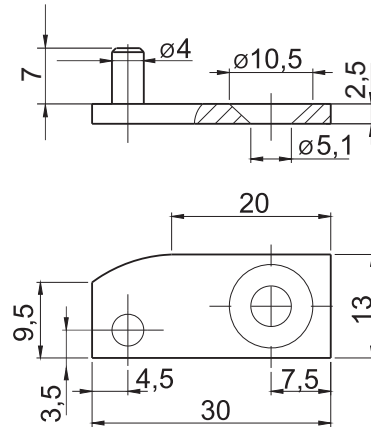


Mounting hole

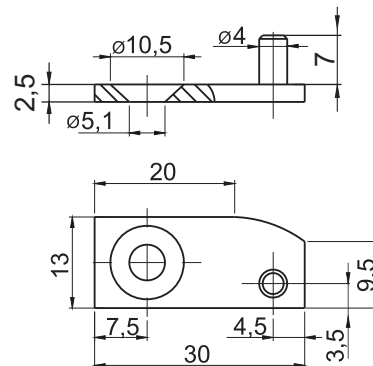


3.ST81.100
3.ST81.101

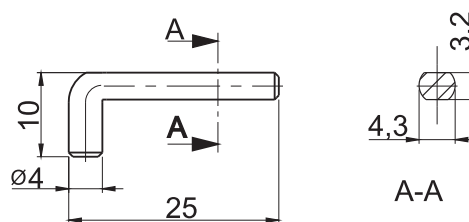
| CATALOGUE NUMBER | ø [mm] | COMPONENTS | MATERIAL | FINISH [C] |
|------------------|--------|------------|--------------------------|------------|
| | | | | RAL9005 |
| 3.ST81.100 | 6 | Housing | Polyamide PA6 | 07 |
| 3.ST81.101 | 5 | Pin | Steel zinc plated | |
| | | Spring | Spring steel zinc plated | |
| TA60 | 6 | Bushing | Polyamide PA6 | |



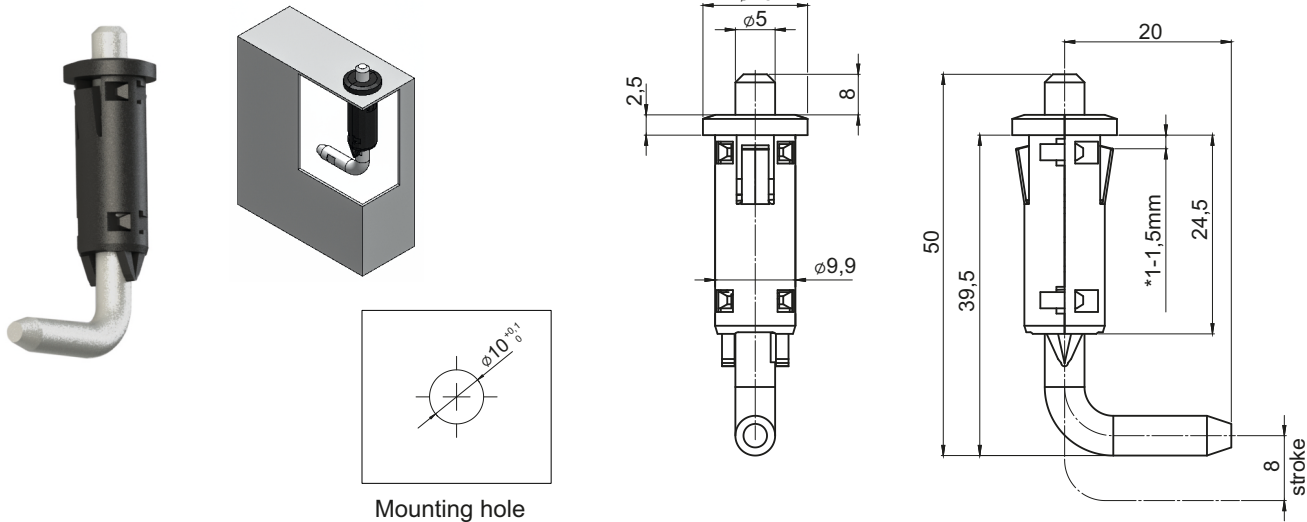
| CATALOGUE NUMBER | COMPONENTS | MATERIAL |
|------------------|------------|-------------------|
| 3.ST67.001 | Holder | Steel zinc plated |



| CATALOGUE NUMBER | COMPONENTS | MATERIAL |
|------------------|------------|-------------------|
| 3.ST67.002 | Holder | Steel zinc plated |



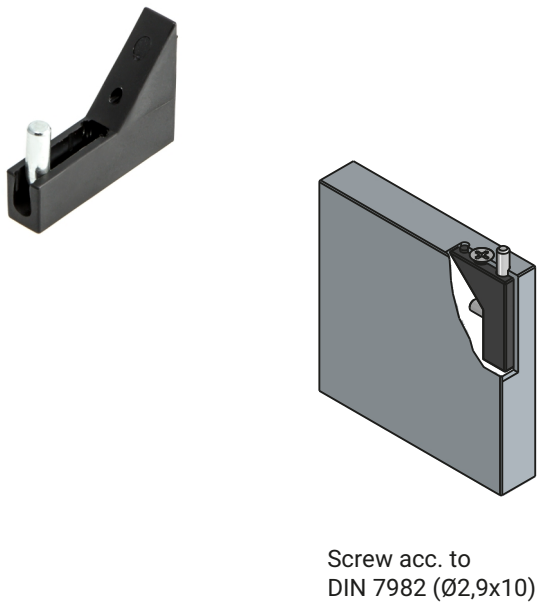
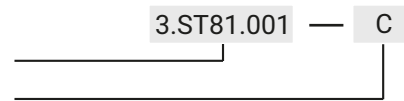
| CATALOGUE NUMBER | COMPONENTS | MATERIAL |
|------------------|------------|----------|
| 3.ST67.001.03 | Pin | Steel |



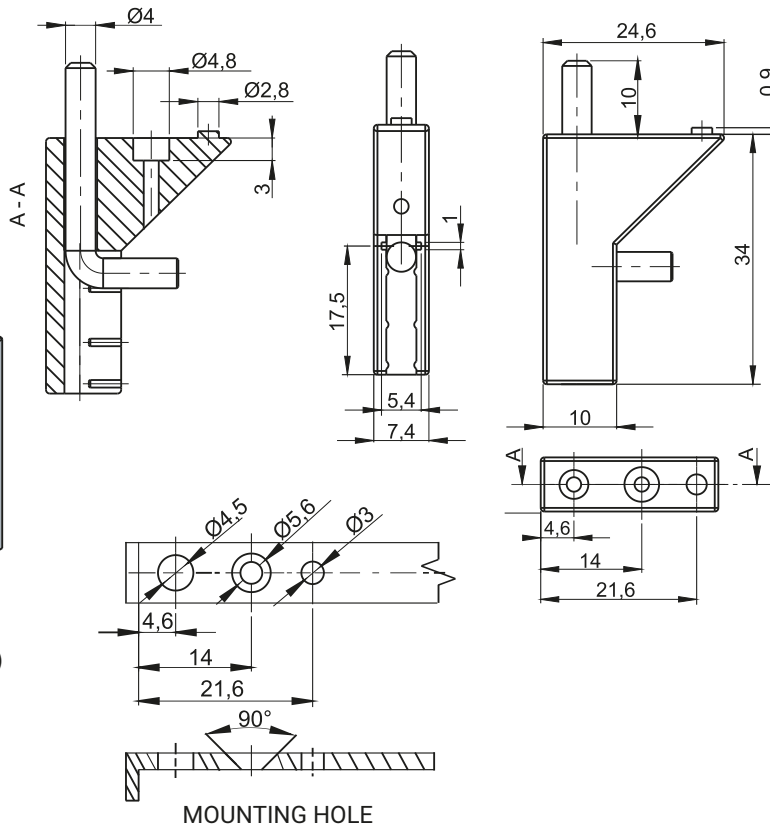
| CATALOGUE NO. | COMPONENTS | MATERIAL | FINISH [C] | |
|---------------|------------|-----------|------------|----------|
| | | | RAL 9005 | RAL 9010 |
| 3.ST81.001 | Housing | Polyamide | 07 | 11 |
| | Pin | ZAMAK 5 | | |
| | Spring | Steel | | |

How to order:

Catalogue number
Finish



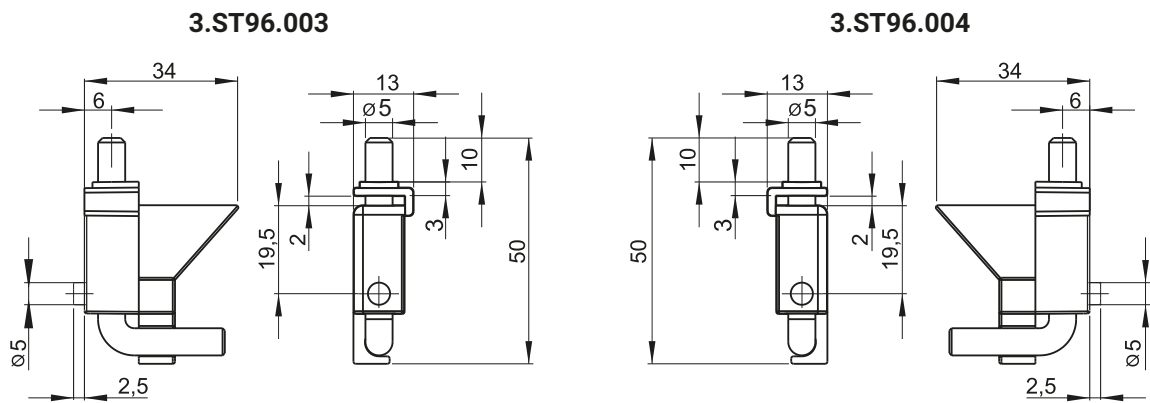
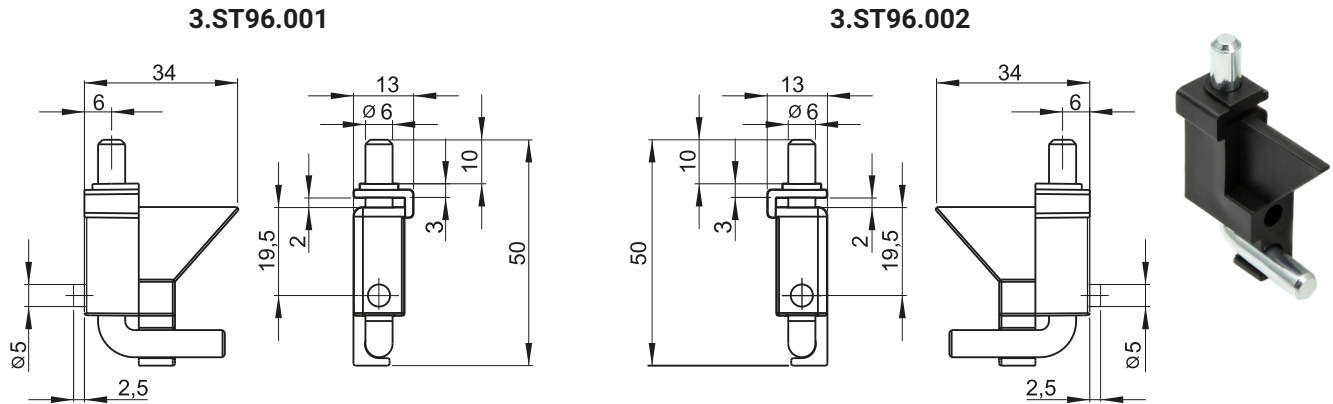
Screw acc. to
DIN 7982 (Ø2,9x10)



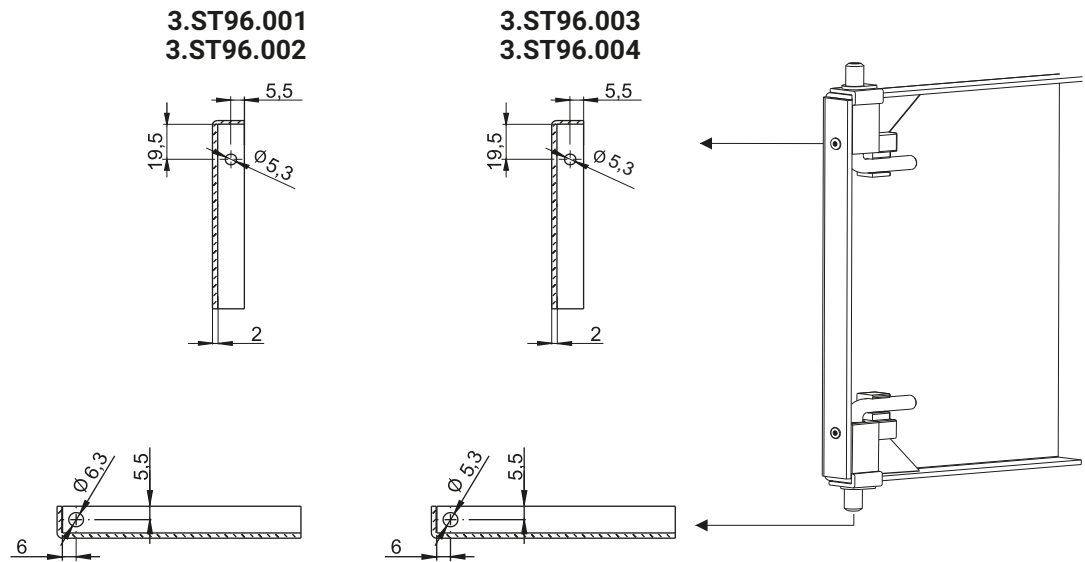
MOUNTING HOLE

| CATALOGUE NUMBER | COMPONENTS | MATERIAL | FINISH [C] |
|------------------|------------|-------------------|------------|
| | | | RAL 9005 |
| 3.ST84.001 | Holder | Polyamide | 07 |
| | Pin | Steel zinc plated | |

Hinge 3.ST96

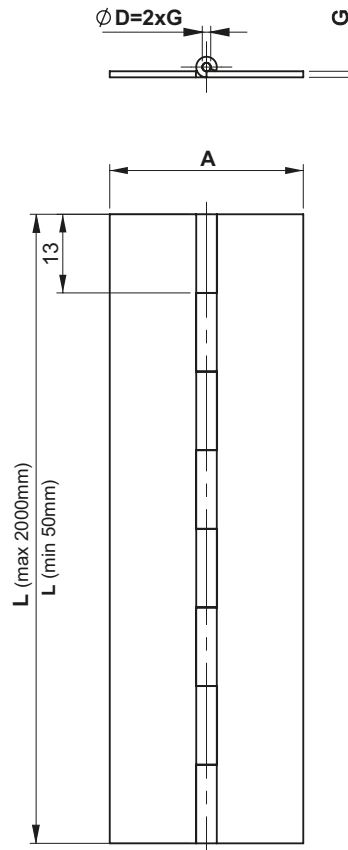


Mounting holes



| CATALOGUE NUMBER | COMPONENTS | MATERIAL | FINISH [C] | |
|------------------|------------|-------------------|------------|---------|
| | | | RAL9005 | RAL7035 |
| 3.ST96.001 | Holder | PP | 07 | 08 |
| 3.ST96.002 | Pin | Steel zinc plated | | |
| 3.ST96.003 | Holder | PP | 07 | 08 |
| 3.ST96.004 | Pin | Steel zinc plated | | |

How to order: **3.ST96.001** — **C**
 Catalogue number _____
 Finish _____

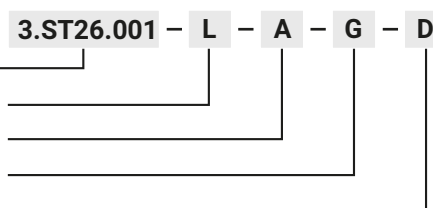


| Standard insert diameter D for chosen thickness | |
|---|-------------------|
| Sheet metal thickness G | Insert diameter D |
| 0,8 | Ø2 |
| 1 | Ø1,5 or Ø2 |
| 1,5 | Ø3, Ø4 |
| 2 | Ø4, Ø6 |
| 3 | Ø6 |

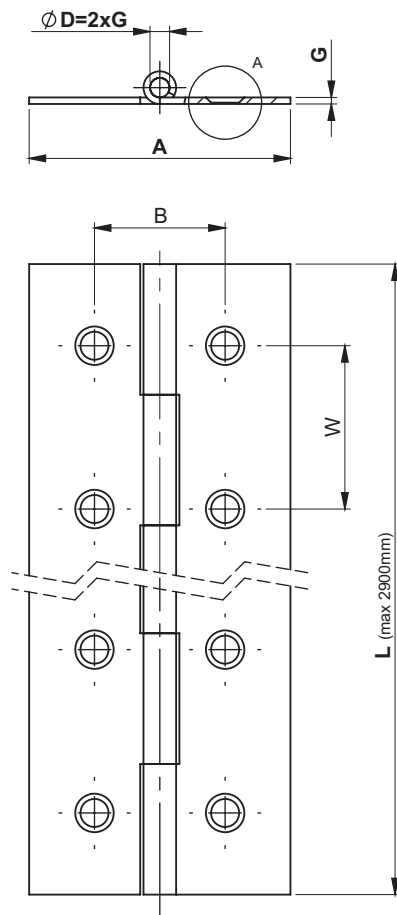
| CATALOGUE NUMBER | COMPONENTS | MATERIAL |
|------------------|-------------|-------------------|
| 3.ST26.001 | Holder, Pin | Steel zinc plated |
| 3.ST26.001SN | | Stainless steel |

How to order:

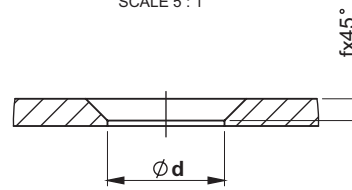
- Catalogue number
- Total length of the hinge
- Total width of the hinge
- Thickness of the hinge
- Insert diameter



stainless steel



DETAIL A
SCALE 5 : 1



Standard insert diameter D
for chosen thickness

| Sheet metal thickness G | Insert diameter D |
|-------------------------|-------------------|
| 0,8 | Ø2 |
| 1 | Ø2 |
| 1,5 | Ø3, Ø4 |
| 2 | Ø4, Ø6 |
| 3 | Ø6 |

| CATALOGUE NUMBER | COMPONENTS | MATERIAL |
|------------------|-------------|-------------------|
| 3.ST26.003 | Holder, Pin | Steel zinc plated |
| 3.ST26.003SN | | Stainless steel |

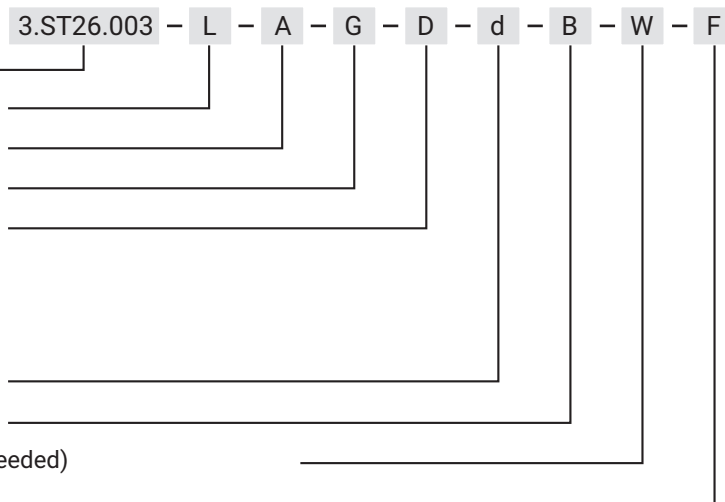
How to order:

- Catalogue number
- Total length of the hinge
- Total width of the hinge
- Thickness of the hinge
- Insert diameter (Dmin=2xG)

If mounting holes are required to make it should be stated:

- Dimension
- Spacing
- Leap of holes
- Phase dimension of a hole (if needed)

Other dimensions stated before production.



stainless steel

3.ST50.001



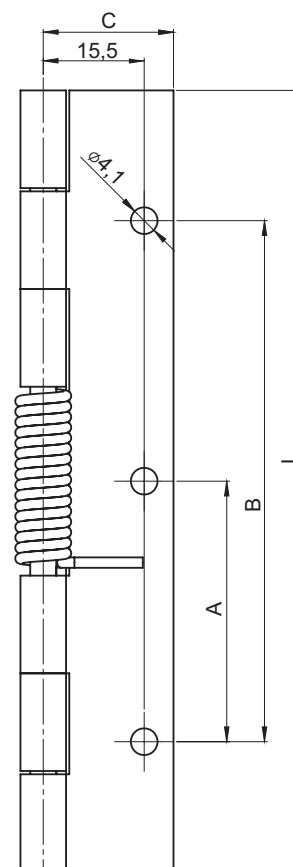
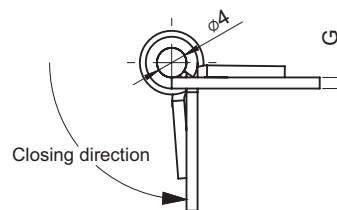
3.ST50.002



3.ST50.003

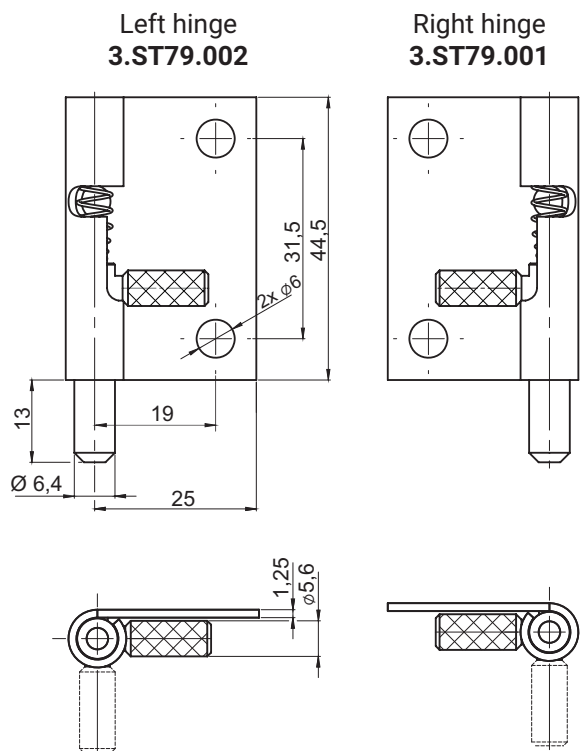


3.ST50.004

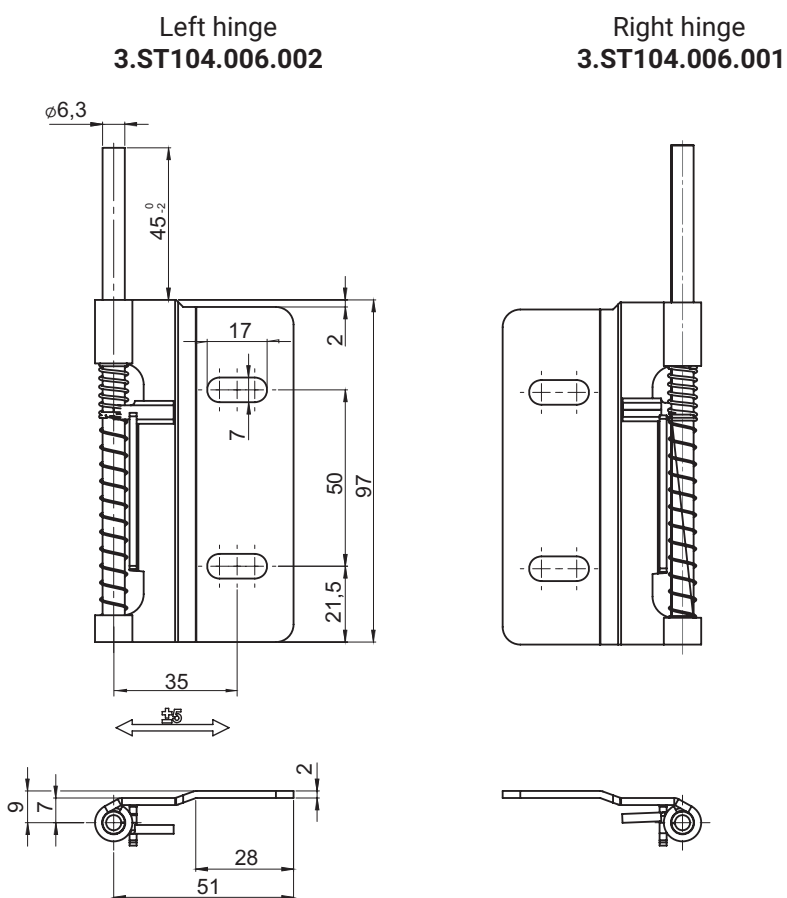


*closing from axis

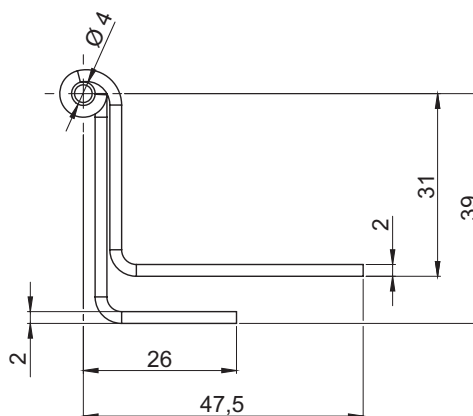
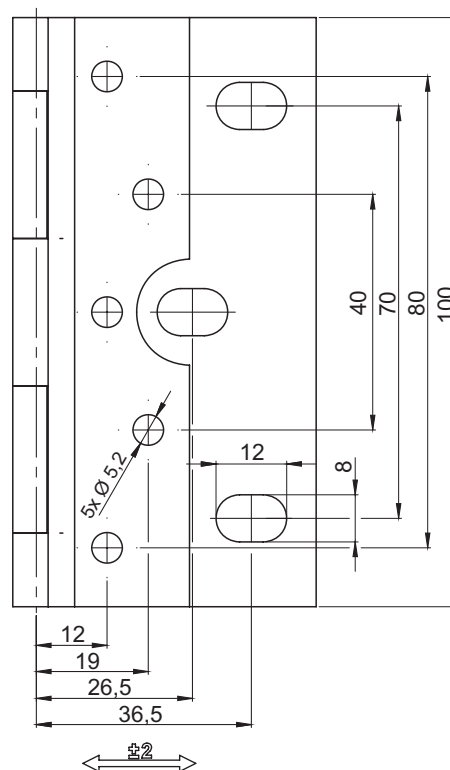
| CATALOGUE NUMBER | DIMENSION | | | | | MATERIAL |
|------------------|-----------|-----|----|-----|-----|-------------------|
| | A | B | C | G | L | |
| 3.ST50.001 | 30 | - | 25 | 2 | 50 | Steel zinc plated |
| 3.ST50.002 | 40 | 80 | 20 | 1,5 | 120 | |
| 3.ST50.003 | 60 | 120 | 20 | 1,5 | 180 | |
| 3.ST50.004 | - | - | 20 | 1,5 | 120 | |
| 3.ST50.001SN | 30 | - | 25 | 2 | 50 | Stainless steel |
| 3.ST50.002SN | 40 | 80 | 20 | 1,5 | 120 | |
| 3.ST50.003SN | 60 | 120 | 20 | 1,5 | 180 | |
| 3.ST50.004SN | - | - | 20 | 1,5 | 120 | |



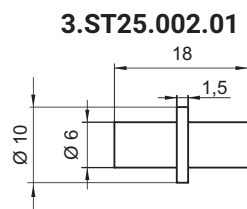
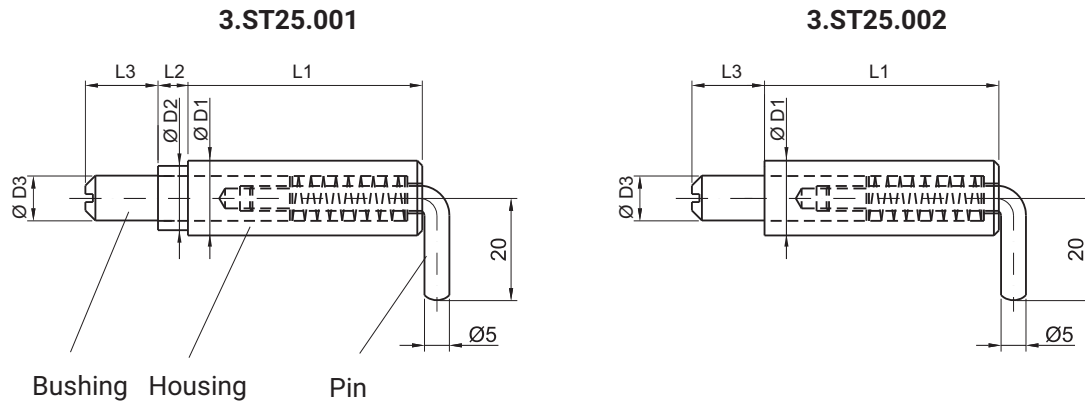
| CATALOGUE NO. | VERSION | COMPONENTS | MATERIAL |
|---------------|---------|-------------|-----------------|
| 3.ST79.001SN | Right | Holder, Pin | Stainless steel |
| 3.ST79.002SN | Left | Holder, Pin | |



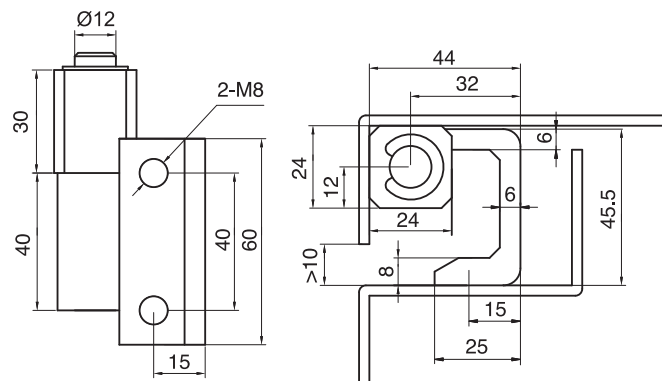
| CATALOGUE NO. | VERSION | COMPONENTS | MATERIAL |
|-------------------|---------|-------------|-----------------|
| 3.ST104.006.001SN | Right | Holder, Pin | Stainless steel |
| 3.ST104.006.002SN | Left | | |



| CATALOGUE NO. | COMPONENTS | MATERIAL |
|---------------|-------------------|-----------------|
| 3.ST89.001SN | Holder, Base, Pin | Stainless steel |

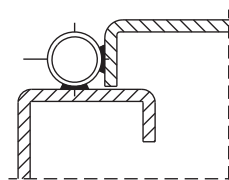
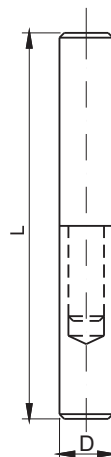
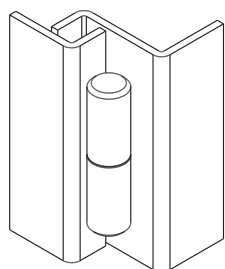


| CATALOGUE NUMBER | Ø D1 | Ø D2 | Ø D3 | L1 mm | L2 mm | L3 mm | COMPONENTS | MATERIAL |
|------------------|------|------|------|-------|-------|-------|------------------|----------------------|
| 3.ST25.001 | 15 | 13 | 9 | 47 | 6 | 15 | Housing, Bushing | Steel zinc plated |
| Pin | | | | | | | | |
| 3.ST25.001SN | 15 | 13 | 9 | 47 | 6 | 15 | Housing, Bushing | Stainless steel |
| Pin | | | | | | | | |
| 3.ST25.002 | 10 | - | 6 | 41,5 | - | 13 | Housing, Bushing | Steel zinc plated |
| Pin | | | | | | | | |
| 3.ST25.002.01 | - | | | | | | Limiter | Steel without finish |
| 3.ST25.005 | 12 | 9 | 6 | 38 | 3,5 | 10 | Housing | Steel copper plated |
| | | | | | | | Bushing | Steel zinc plated |



| CATALOGUE NUMBER | COMPONENTS | MATERIAL |
|------------------|-------------|-----------------|
| 3.550.001 | Holder, Pin | Stainless steel |

stainless steel



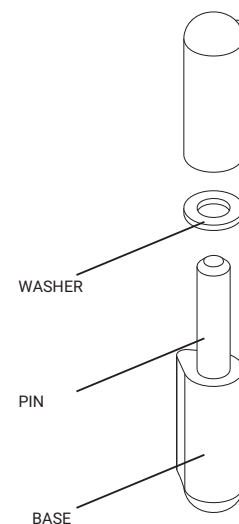
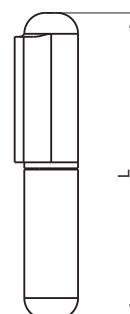
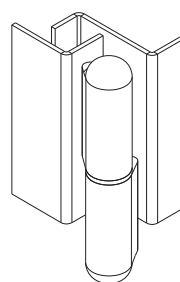
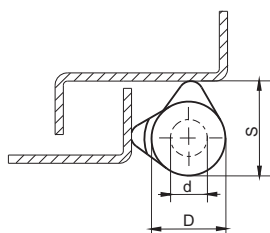
| CATALOGUE NUMBER | Dimension | | X |
|----------------------|-----------|--------|-----|
| | L [mm] | D [mm] | |
| 3.ST7.X 3.ST7.XSN | 40 | 10 | 001 |
| | 50 | 10 | 002 |
| | 65 | 10 | 003 |
| | 40 | 14 | 005 |
| | 100 | 13 | 006 |
| | 100 | 16 | 007 |

| CATALOGUE NUMBER | COMPONENTS | MATERIAL |
|------------------|-------------|-----------------|
| 3.ST7.X | Holder, Pin | Steel |
| 3.ST7.XSN | Holder, Pin | Stainless steel |

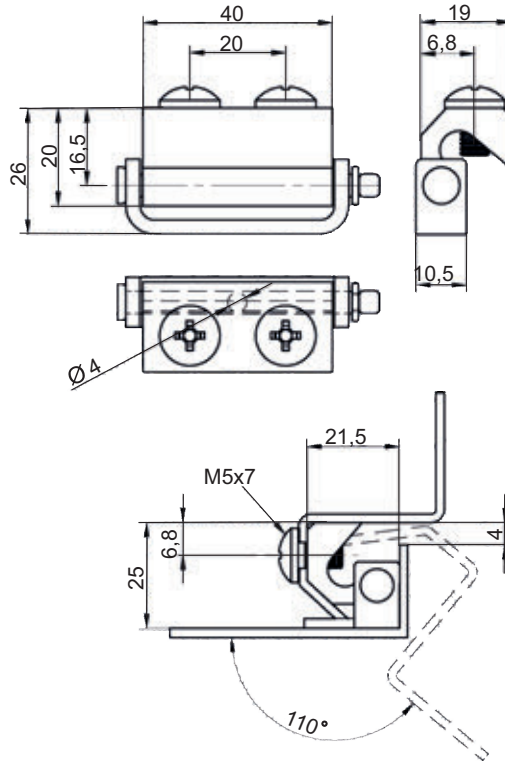
ST 7-1



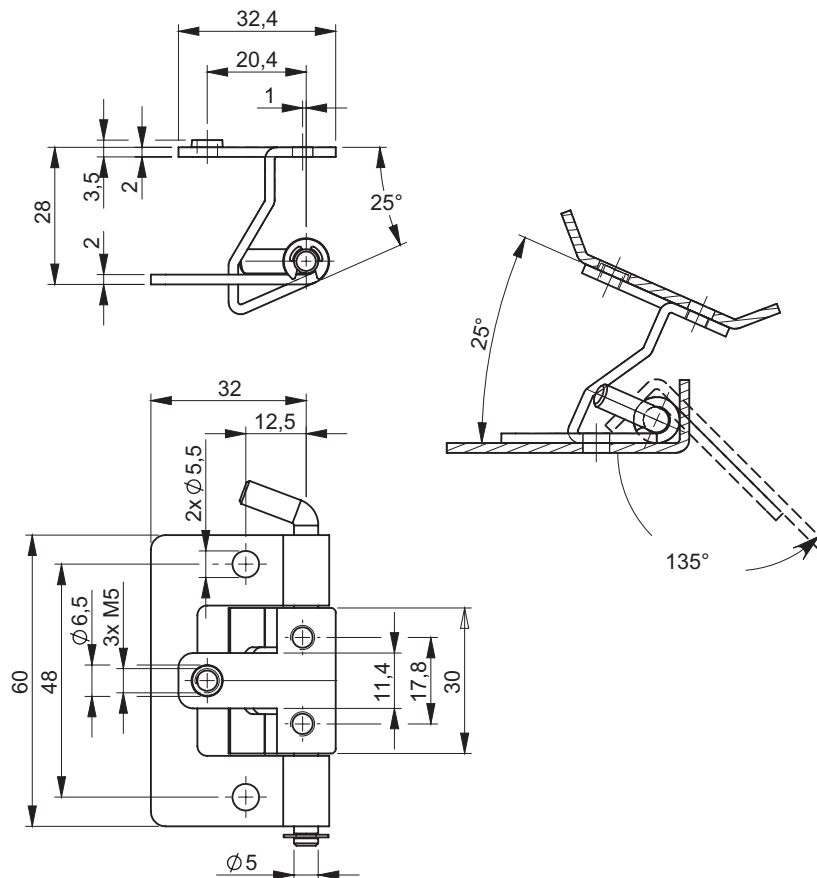
ST 7-2



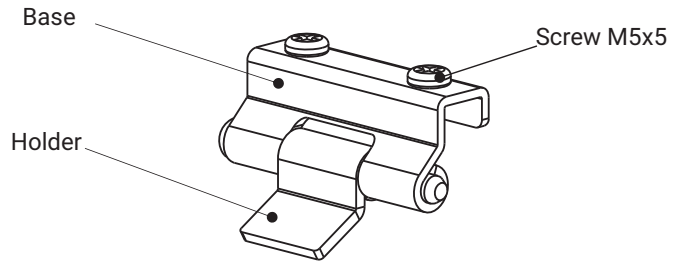
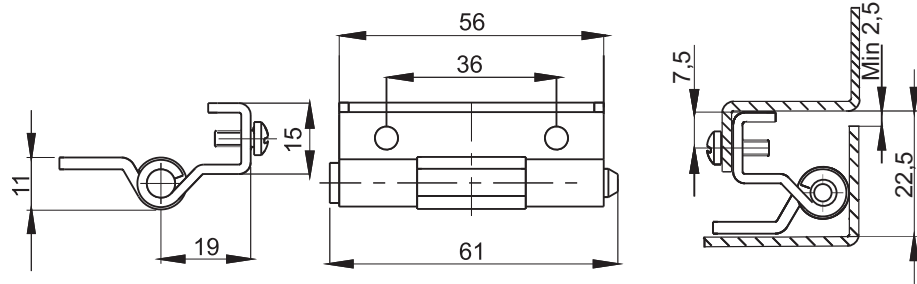
| CATALOGUE NUMBER | | COMPONENTS | MATERIAL | | | | |
|------------------|----------------|------------|----------|------|----|-----|--|
| 3.ST7-1 | | Base, Pin | Steel | | | | |
| 3.ST7-2 | | Washer | Brass | | | | |
| Cat. No. ST7-1 | Cat. No. ST7-2 | Dimensions | D | S | d | L | |
| ST7-1.001A | ST7-2.001A | 8x9,5 | 8 | 9,5 | 5 | 40 | |
| ST7-1.001B | ST7-2.001B | 8x9,5 | 8 | 9,5 | 5 | 50 | |
| ST7-1.002A | ST7-2.002A | 10x12 | 10 | 12 | 6 | 60 | |
| ST7-1.002B | ST7-2.002B | 10x12 | 10 | 12 | 6 | 70 | |
| ST7-1.003 | ST7-2.003 | 13x16 | 13 | 16 | 8 | 80 | |
| ST7-1.004 | ST7-2.004 | 16x20 | 16 | 20 | 10 | 100 | |
| ST7-1.005 | ST7-2.005 | 18x22 | 18 | 22 | 12 | 135 | |
| ST7-1.006 | ST7-2.006 | 20x25 | 20 | 25 | 14 | 150 | |
| ST7-1.007 | ST7-2.007 | 23x28 | 23 | 28,5 | 16 | 200 | |



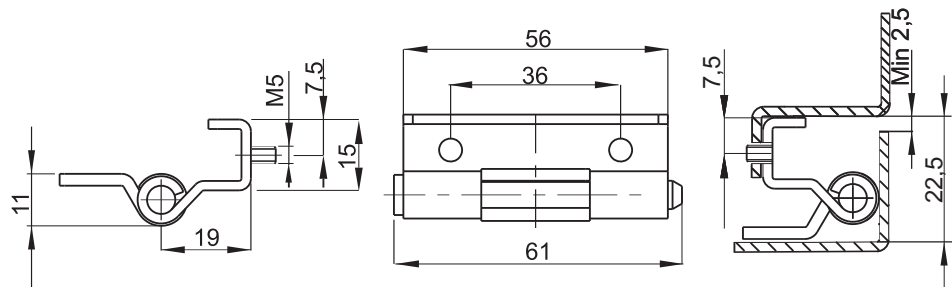
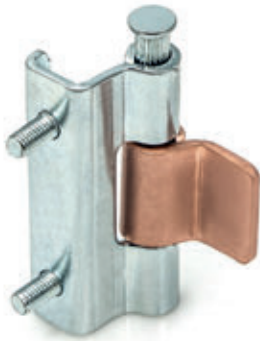
| CATALOGUE NUMBER | COMPONENTS | MATERIAL |
|------------------|------------|----------------------|
| 3.538.001 | Holder | Steel copper plated |
| | Base | Aluminum zinc plated |



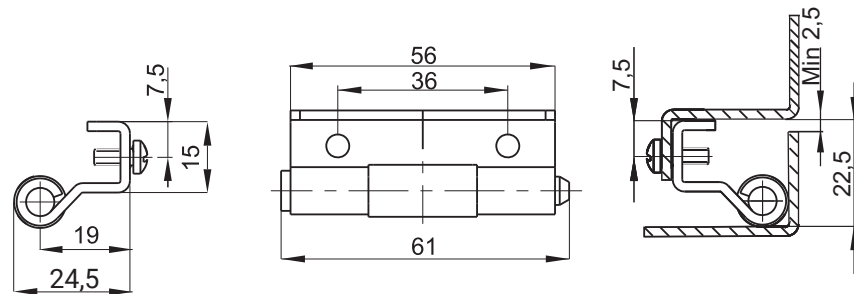
| CATALOGUE NUMBER | COMPONENTS | MATERIAL |
|------------------|--------------|-------------------|
| 3.539.001 | Holder, Base | Steel zinc plated |



| CATALOGUE NUMBER | COMPONENTS | MATERIAL |
|------------------|------------|---------------------|
| 3.ST551.001 | Base | Steel zinc plated |
| | Holder | Steel copper plated |

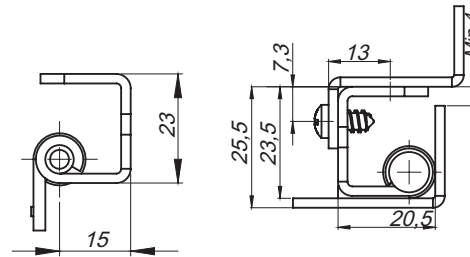


| CATALOGUE NUMBER | COMPONENTS | MATERIAL |
|------------------|------------|---------------------|
| 3.ST552.001 | Base | Steel zinc plated |
| | Holder | Steel copper plated |

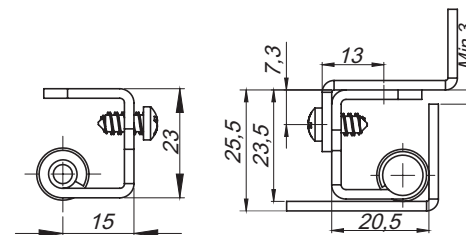
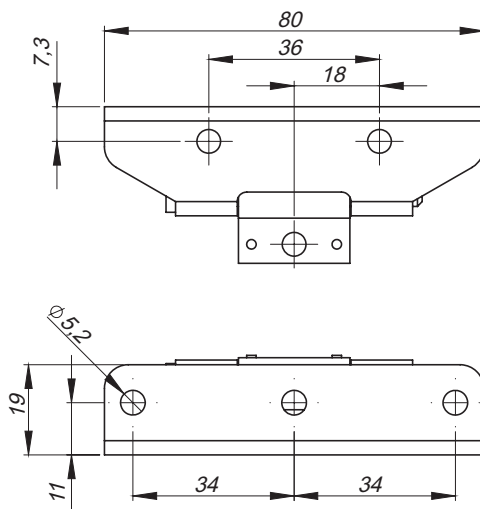


| CATALOGUE NUMBER | COMPONENTS | MATERIAL |
|------------------|------------|---------------------|
| 3.ST553.001 | Base | Steel zinc plated |
| | Holder | Steel copper plated |

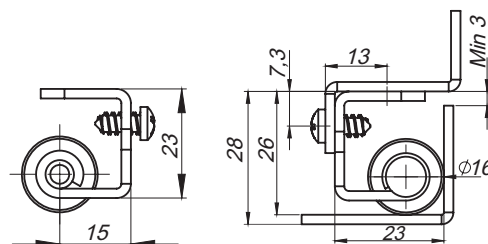
3.ST558 ver. 001



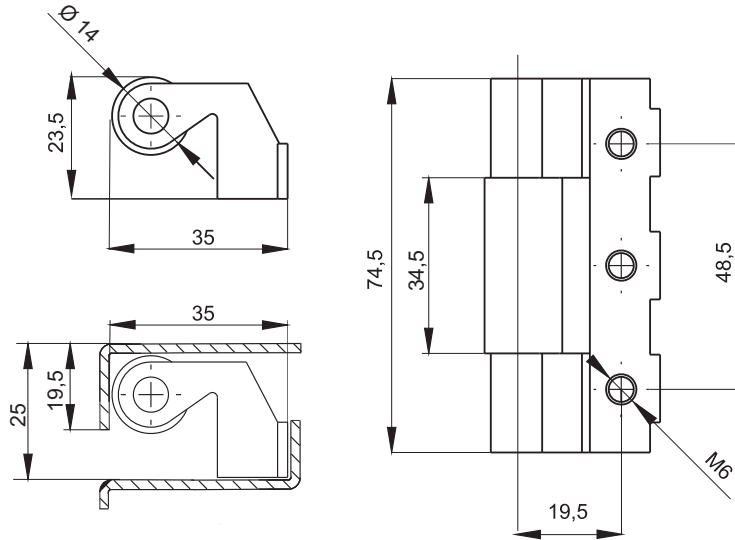
3.ST558 ver. 002



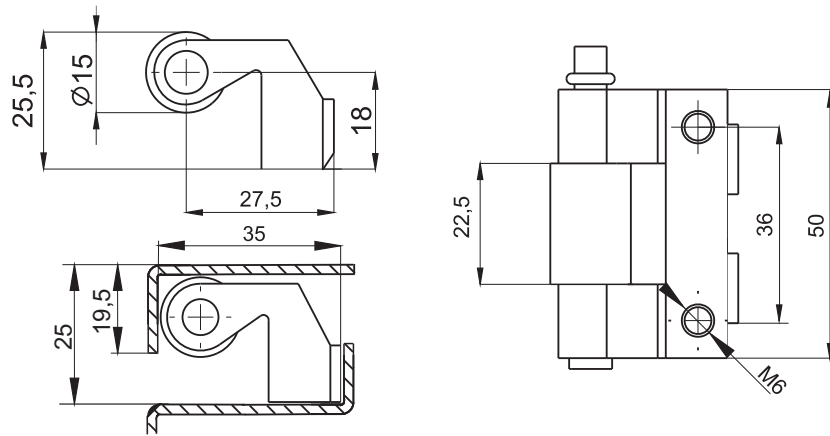
3.ST558 ver. 003



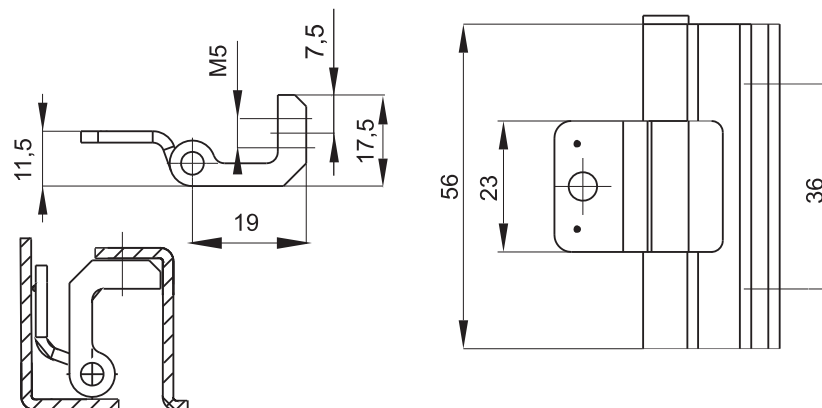
| CATALOGUE NUMBER | COMPONENTS | MATERIAL |
|------------------|------------|---------------------|
| 3.ST558.001 | Base, pin | Steel zinc plated |
| | Holder | Steel copper plated |
| 3.ST558.002 | Base, pin | Steel zinc plated |
| | Collet | Steel copper plated |
| 3.ST558.003 | Base, pin | Steel zinc plated |
| | Collet | Steel copper plated |



| CATALOGUE NUMBER | COMPONENTS | MATERIAL |
|------------------|------------|---------------------|
| 3.501.001 | Base | ZAMAK 5 zinc plated |
| | Holder | Steel copper plated |
| | Pin | Steel zinc plated |



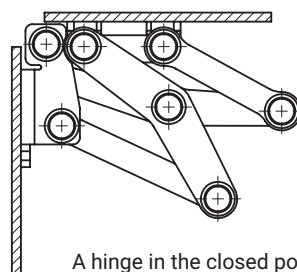
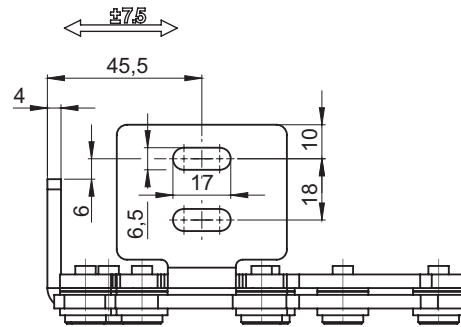
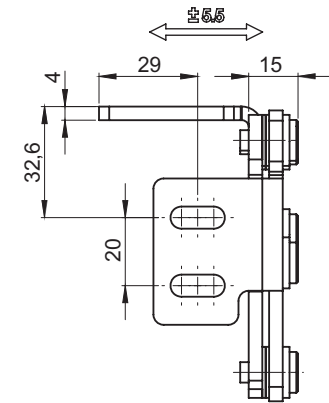
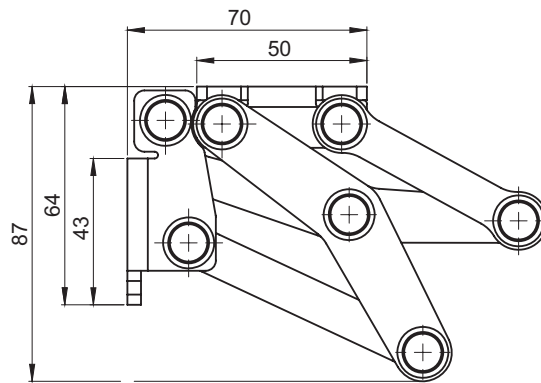
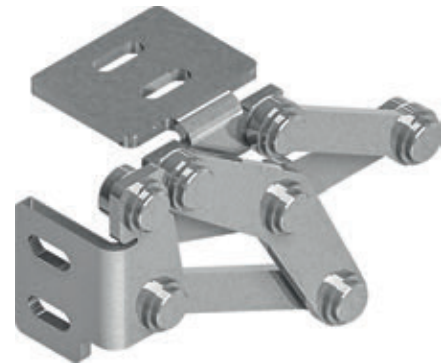
| CATALOGUE NUMBER | COMPONENTS | MATERIAL |
|------------------|------------|---------------------|
| 3.502.001 | Base | ZAMAK 5 zinc plated |
| | Holder | Steel copper plated |
| | Pin | Steel zinc plated |



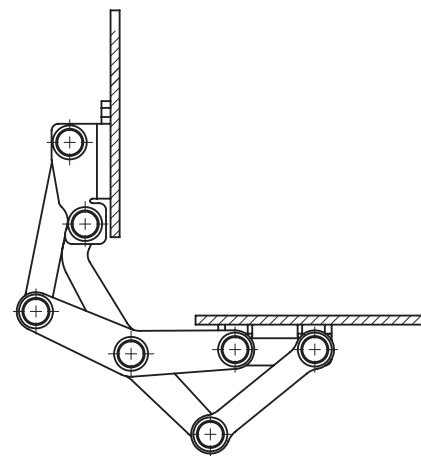
| CATALOGUE NUMBER | COMPONENTS | MATERIAL |
|------------------|------------|---------------------|
| 3.503.001 | Base | ZAMAK 5 zinc plated |
| | Holder | Steel copper plated |
| | Pin | Steel zinc plated |

Left hinge
3.ST300.002SN

Right hinge
3.ST300.001SN



A hinge in the closed position

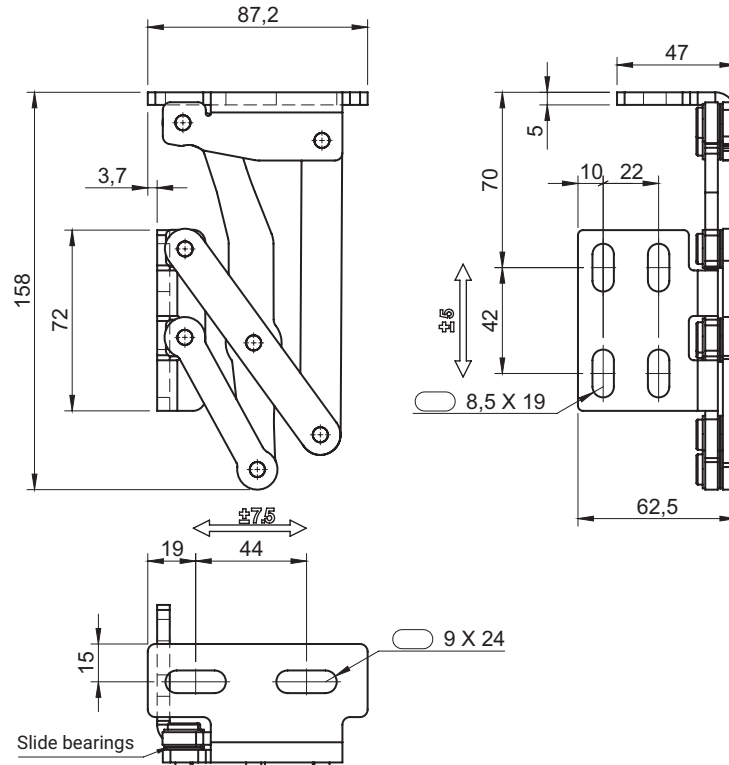


A hinge in the open position

| CATALOGUE NO. | VERSION | MATERIAL |
|---------------|---------|-----------------|
| 3.ST300.001SN | Right | Stainless steel |
| 3.ST300.002SN | Left | |



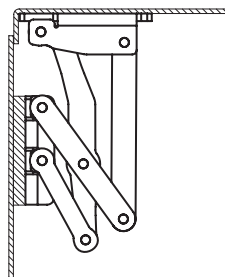
3.ST301.001SN
Right hinge



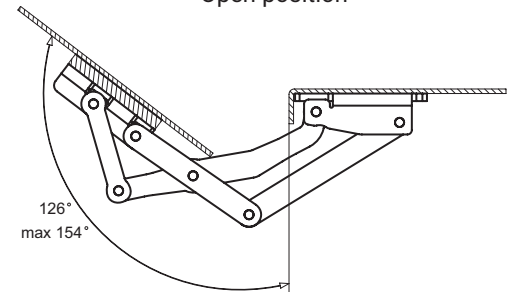
3.ST301.002SN
Left hinge



Closed position

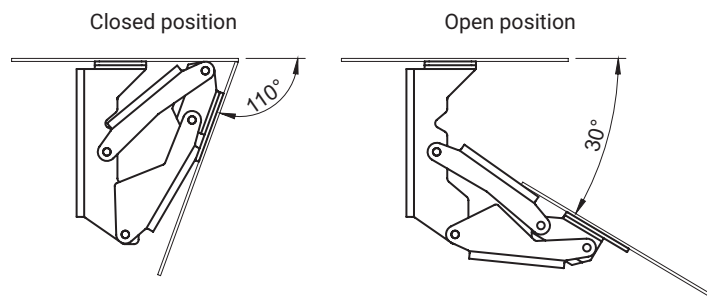
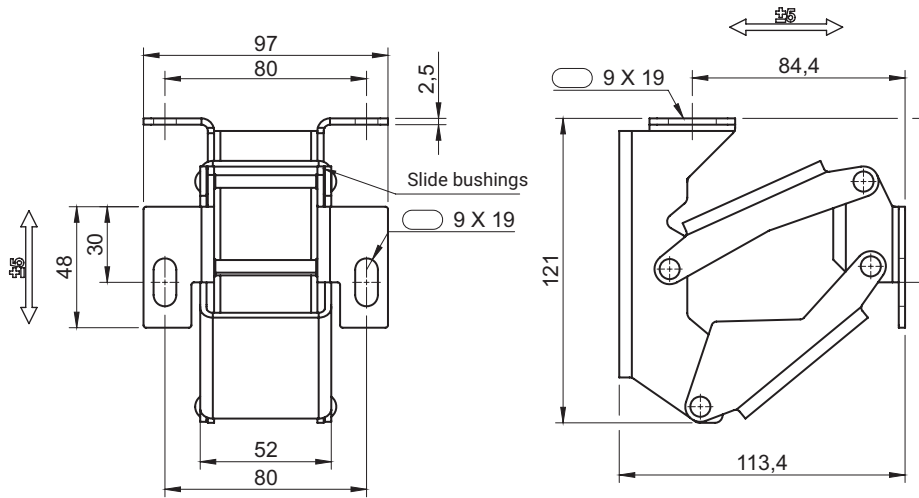
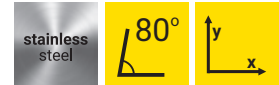


Open position



All hinge pivot axes are supported by slide bearings

| CATALOGUE NUMBER | VERSION | MATERIAL |
|------------------|---------|-----------------|
| 3.ST301.001SN | Right | Stainless steel |
| 3.ST301.002SN | Left | |



All hinge pivot axes are supported by slide bearings

| CATALOGUE NUMBER | MATERIAL |
|------------------|-----------------|
| 3.ST302.001SN | Stainless steel |



3B-51

| Internal hinges

www.roztocze.eu

X-ON Electronics

Largest Supplier of Electrical and Electronic Components

Click to view similar products for [Mounting Fixings](#) category:

Click to view products by [Roztocze](#) manufacturer:

Other Similar products are found below :

[5912235-1 REV - 007541](#) [627](#) [M3783-7001](#) [75-69224-5S](#) [7717-8DAP](#) [85048GBESR](#) [FPK-02-R10](#) [PMS27488-001-01](#) [1-18023-0](#) [H-118-2](#)
[DB1](#) [1302030464](#) [1302010957](#) [1302263564](#) [1302340393](#) [1404-0016-78](#) [14540](#) [1561-60](#) [1566](#) [1566](#) [BR16A](#) [NT20SATT01](#)
[201C5058-01-201 REV E](#) [22594-8](#) [KBB-141](#) [89078GBEPR](#) [89078GBESR](#) [915060](#) [SF4011-60101](#) [97-CS-50](#) [1671](#) [1855-54](#) [T-2085-SP](#)
[20800240002](#) [21899-4](#) [2193](#) [2518](#) [25745-1](#) [H-118-1](#) [354467](#) [37184](#) [4658](#) [4665](#) [4731](#) [BRACKET-RA-30](#) [5500083](#) [HS5659MB98SN](#) [561-](#)
[T001](#) [4222522019-542](#)