



1

Locking systems

2

Locks
Latches

3

Hinges

4

Clamps

5

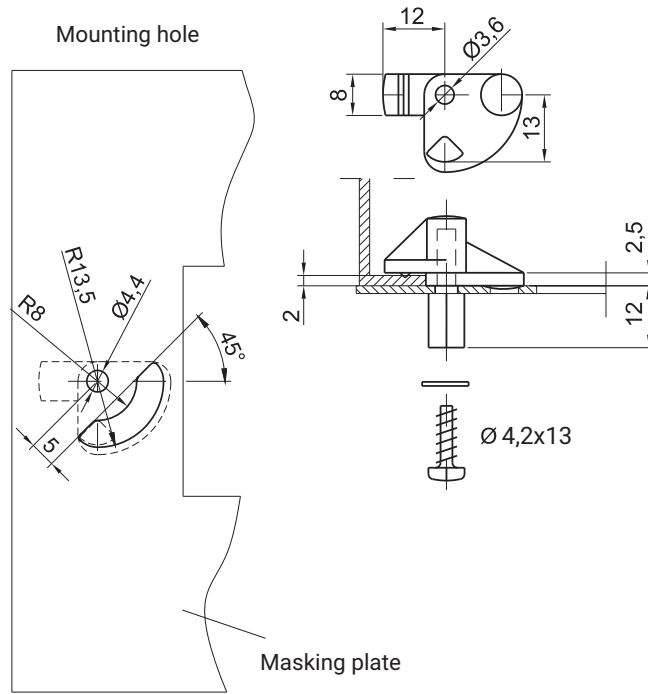
Accessories

6

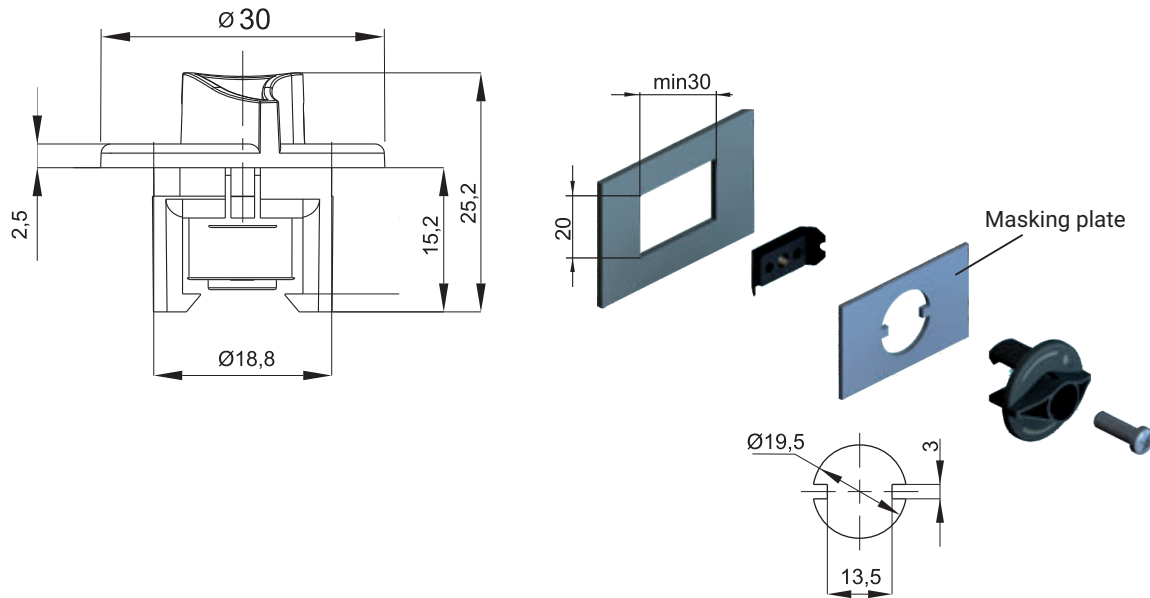
Gasketing profiles

7

Custom products

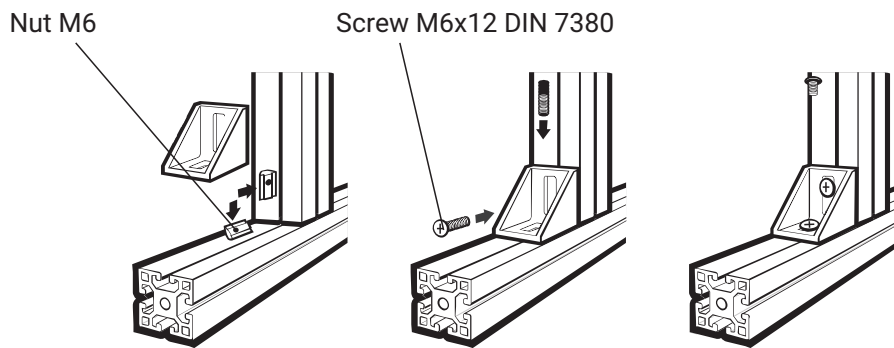
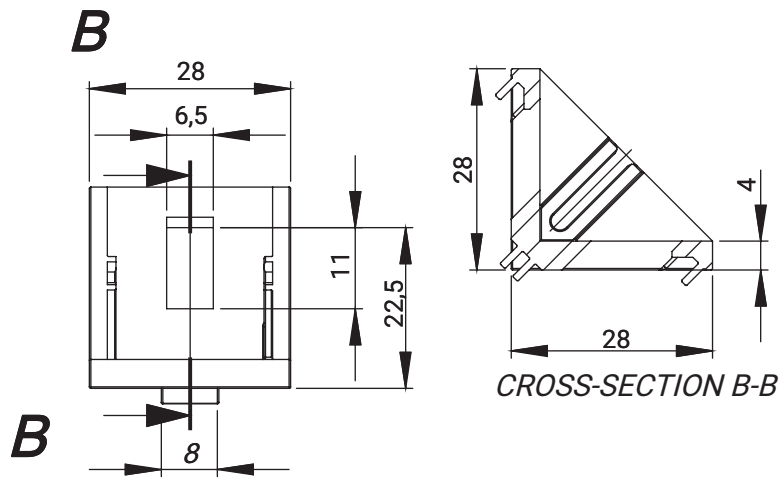


CAT. NUMBER	NAME	MATERIAL
4.415.001	Masking plate holder	Polyamide



CAT. NUMBER	NAME	MATERIAL
4.414.001	Masking plate holder	Polyamide

* possibility order parts according to RAL

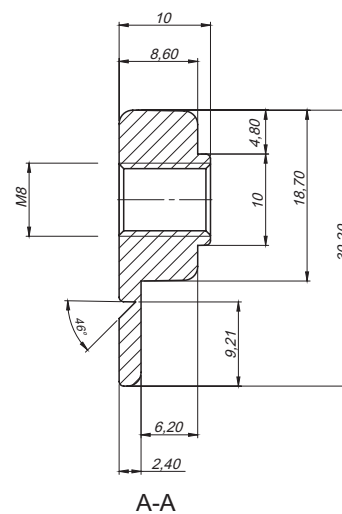
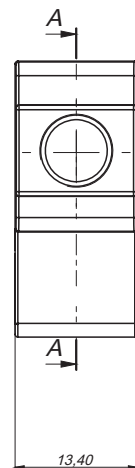


Use and installation

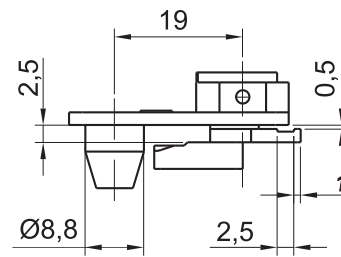
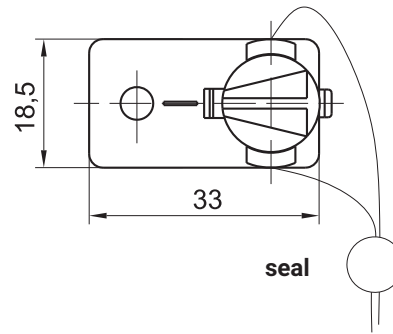
CAT. NUMBER	XY	FINISH	COMPONENTS	MATERIAL
4.500.001.XY	01	No	Connector	Zamak 5
	11	RAL 7035*		
4.500.001.02		-	Nut M6	Zamak 5
4.500.001.03		-	Screw M6x12 DIN 7380	Steel zinc plated

* possibility to make a different color

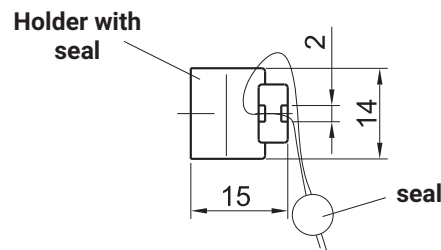
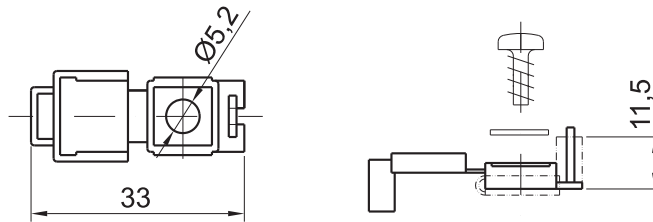
Installation nut



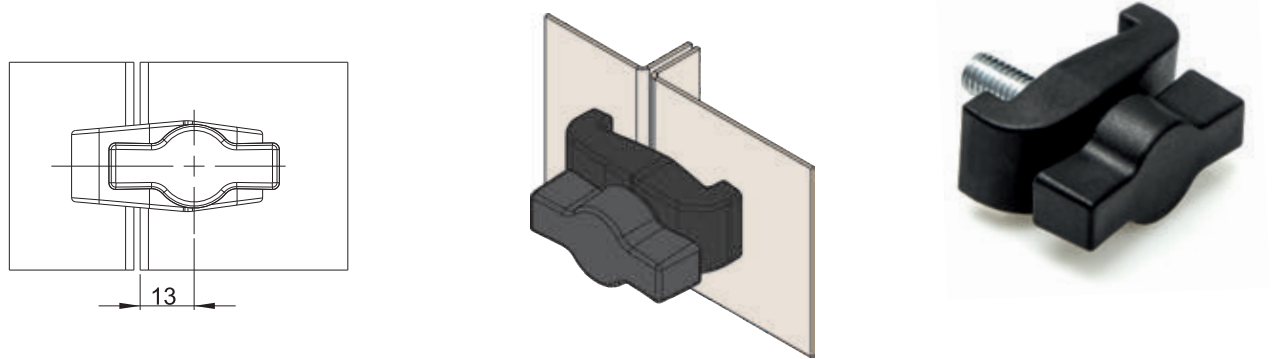
CAT. NUMBER	MATERIAL
4.501.001	ZAMAK



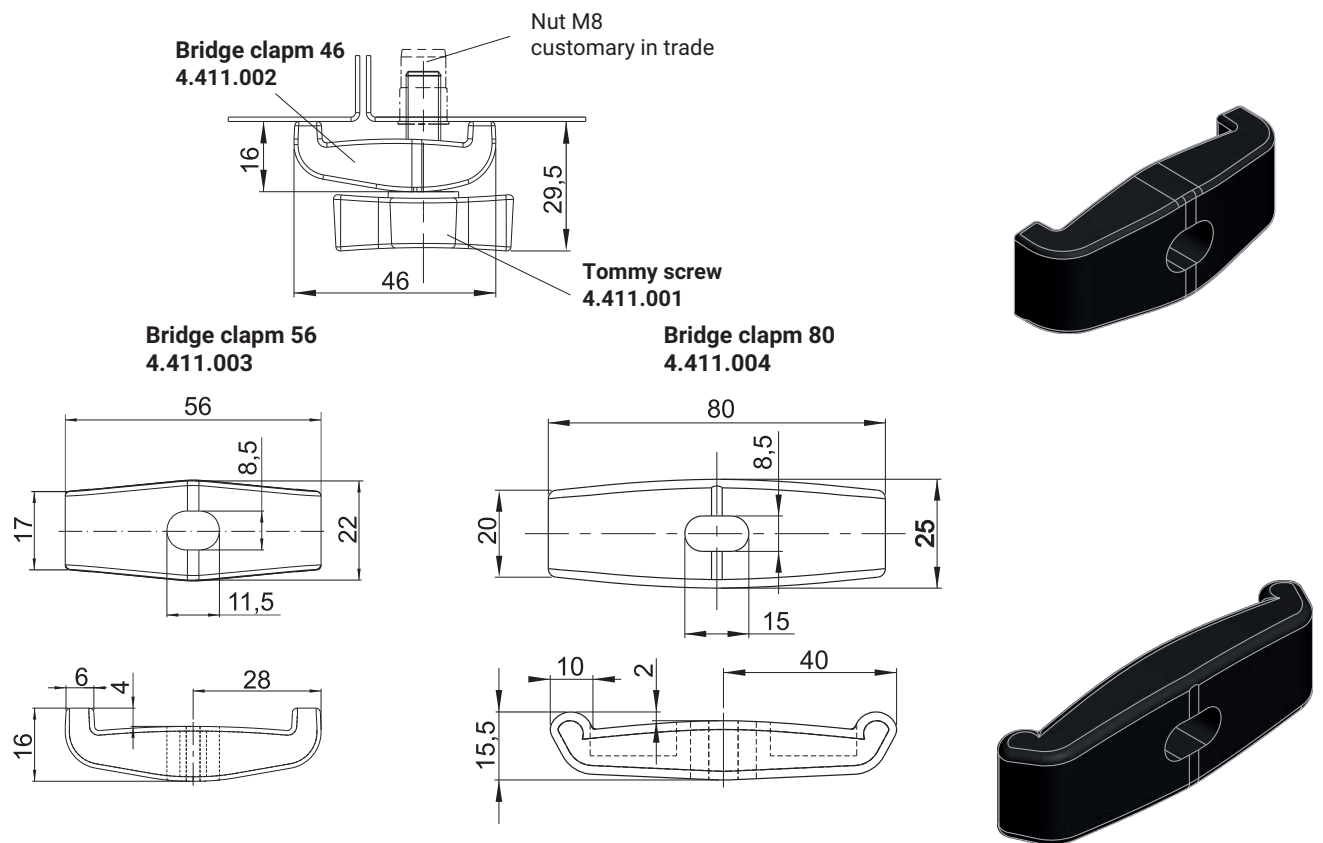
CAT. NUMBER	NAME	MATERIAL
4.417.001	Holder with seal	Polyamide



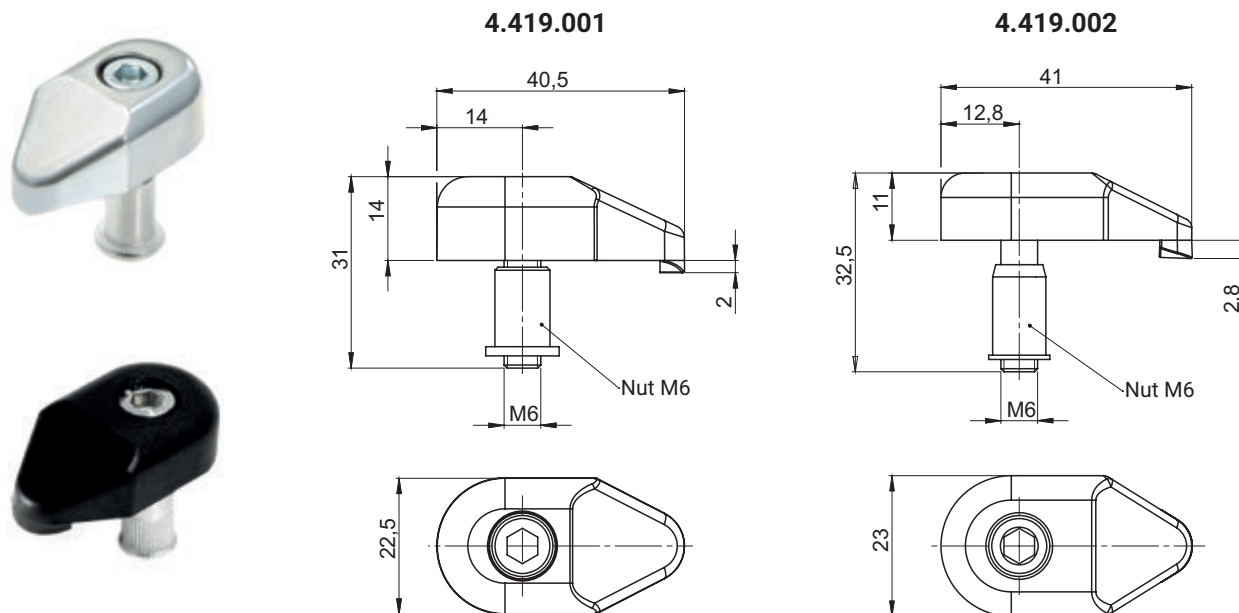
CAT. NUMBER	NAME	MATERIAL
4.416.001	Holder with seal	Polyamide



CAT. NUMBER	NAME	MATERIAL
4.411.001	Tommy screw	Polyamide-PA6 GF30 RAL/Steel zinc plated

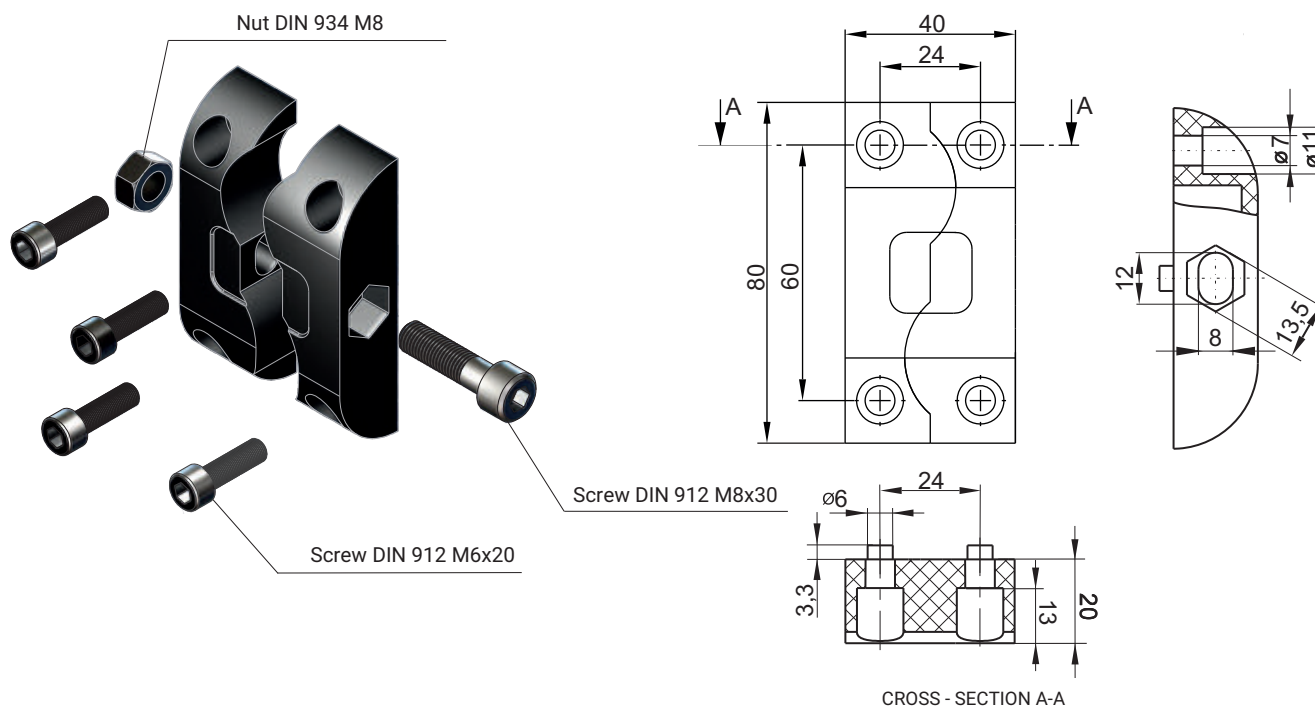


CAT. NUMBER	NAME	MATERIAL
4.411.002	Bridge clamp 46	Polyamide PA6 Gf30
4.411.003	Bridge clamp 56	
4.411.004	Bridge clamp 80	



CATALOGUE NO.	DETAL	MATERIAL	FINISH [C]			
			Nickel	Zink plated	RAL 9005	RAL 7035
4.419.001-X	Metal bridge clamp	ZAMAK	01	02	03	04
4.419.002	Plastic bridge clamp	Polyamide	RAL 9005			

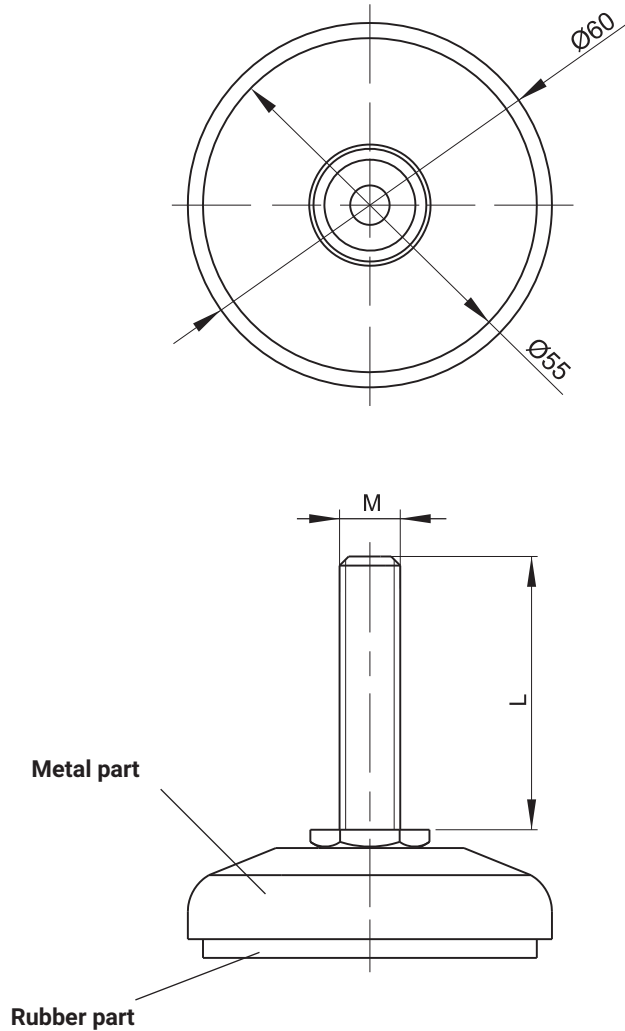
Connector
4.429.001



NAME	MATERIAL	FINISH [C]
		RAL 9005
Connector 4.429.001	Polyamide - PA6 GF30	07

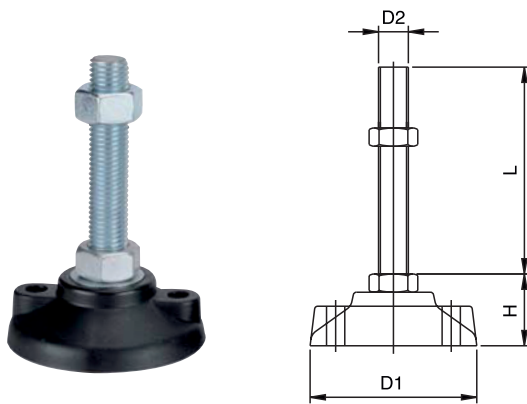
ADJUSTABLE FEET

4.431.001
4.431.002
4.431.003
4.431.008



CAT. NUMBER	DIMENSION		NAME	MATERIAL
	M	L		
4.431.001	10	45	Adjustable foot	Steel zinc plated, Rubber
4.431.001SN	10	45	Adjustable foot	Stainless steel, Rubber
4.431.002	12	45	Adjustable foot	Steel zinc plated, Rubber
4.431.002SN	12	45	Adjustable foot	Stainless steel, Rubber
4.431.003	10	100	Adjustable foot	Steel zinc plated, Rubber
4.431.003SN	10	100	Adjustable foot	Stainless steel, Rubber
4.431.008	12	100	Adjustable foot	Steel zinc plated, Rubber
4.431.008SN	12	100	Adjustable foot	Stainless steel, Rubber
4.431.009	10	150	Adjustable foot	Steel zinc plated, Rubber
4.431.009SN	10	150	Adjustable foot	Stainless steel, Rubber
4.431.010	12	150	Adjustable foot	Steel zinc plated, Rubber
4.431.010SN	12	150	Adjustable foot	Stainless steel, Rubber

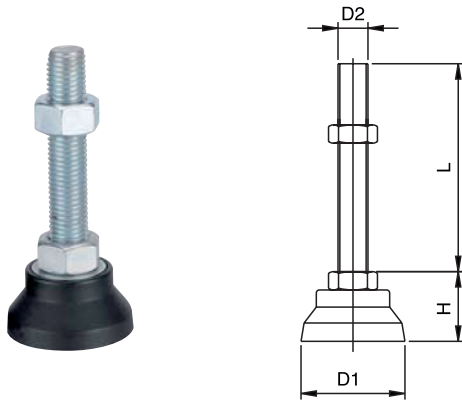
4.510.001



NAME	COMPONENTS			MATERIAL	
Adjustable foot	Screw			Steel zinc plated	
	Base			Polyamide	
CAT. NUMBER	D1	D2	H	L	LOAD
4.510.001.XXX	100	M16	42	100,150, 200,250	600kg
4.510.002.XXX		M20	46	75,100,150, 200,250	800kg
4.510.003.XXX		5/8"	43	100,150	600kg
4.510.004.XXX		3/4"	45	100,150	800kg
4.510.005.XXX	65	M16	42	100,150	600kg
4.510.006.XXX		M20	46	100,150	800kg

: where XXX=L

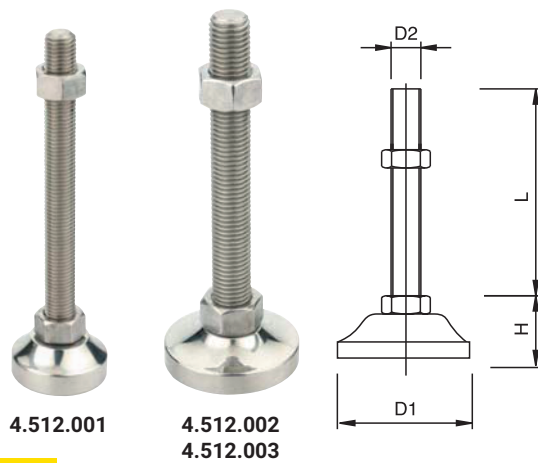
4.511.001



NAME	COMPONENTS			MATERIAL	
Adjustable foot	Screw			Steel zinc plated	
	Base			Polyamide	
CAT. NUMBER	D1	D2	H	L	LOAD
4.511.001.XXX	65	M16	42	100,150, 200,250	600kg
4.511.002.XXX		M20	46	75,100,150, 200,250	800kg
4.511.003.XXX		5/8"	43	100,150	600kg
4.511.004.XXX		3/4"	45	100,150	800kg
4.511.005.XXX	65	M16	42	100,150	600kg
4.511.006.XXX		M20	46	100,150	800kg

: where XXX=L

4.512...



4.512.001

4.512.002
4.512.003

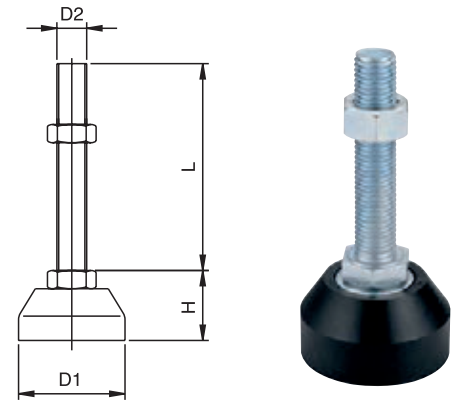
NAME	COMPONENTS			MATERIAL	
Adjustable foot	Screw			Stainless steel 304	
	Base			Stainless steel 304	
CAT. NUMBER	D1	D2	H	L	LOAD
4.512.001.XXX	50	M16	31	100,150	1500kg
4.512.002.XXX	70	M16	31	100,150	1500kg
4.512.003.XXX		M20	35	100,150	2000kg

: where XXX=L

4.513.001

NAME	COMPONENTS			MATERIAL	
Adjustable foot	Screw		Steel zinc plated		
	Base		Polyamide		
CAT. NUMBER	D1	D2	H	L	LOAD
4.513.001.XXX	70	M16	42	100,150, 200,250	600kg
4.513.002.XXX		M20	46	75,100,150, 200,250	800kg
4.513.003.XXX		5/8"	43	100,150	600kg
4.513.004.XXX		3/4"	45	100,150	800kg
4.513.005.XXX		M16	42	100,150	600kg
4.513.006.XXX		M20	46	100,150	800kg

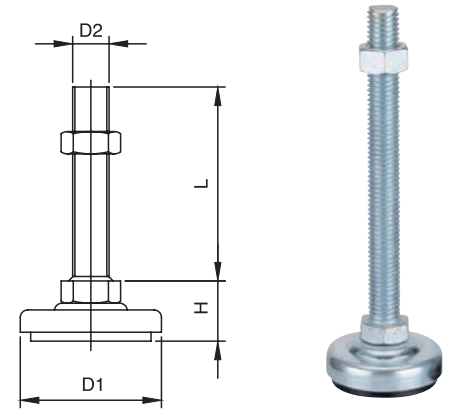
: where XXX=L



4.514.001

NAME	COMPONENTS			MATERIAL	
Adjustable foot	Screw		Steel zinc plated		
	Base		Polyamide		
CAT. NUMBER	D1	D2	H	L	LOAD
4.514.001.XXX	55	M12	26	50,75 100,150,	300kg
4.514.002.XXX		M16	28	70,100,150,	500kg
4.514.003.XXX		1/2"	27	75,100,150	300kg
4.514.004.XXX	75	5/8"	29	75,100,150	500kg
4.514.005.XXX		M16	30	100,150	500kg
4.514.006.XXX		5/8"	31	100,150	500kg

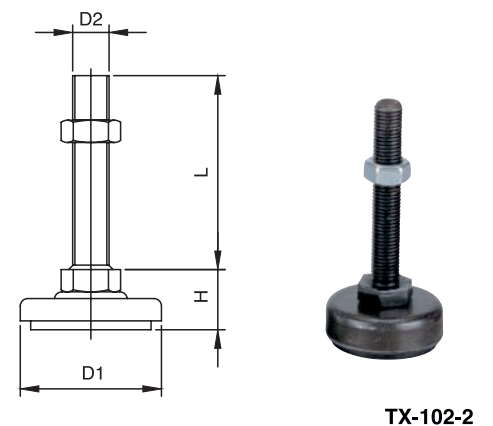
: where XXX=L



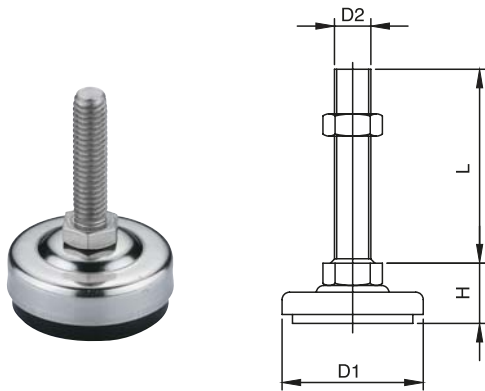
4.515.001

NAME	COMPONENTS			MATERIAL	
Adjustable foot	Screw		Steel zinc plated		
	Base		Steel zinc plated with rubber from below		
CAT. NUMBER	D1	D2	H	L	LOAD
4.515.001.XXX	40	M10	20	50,100	200kg
4.515.002.XXX		M12	23	50,100	300kg
4.515.003.XXX	55	M12	26	50,75 100,150,	300kg
4.515.004.XXX		M16	28	70,100,150,	500kg
4.515.005.XXX		1/2"	27	75,100,150	300kg
4.515.006.XXX	75	5/8"	29	75,100,150	500kg
4.515.007.XXX		M16	30	100,150	500kg
4.515.008.XXX		5/8"	31	100,150	500kg

: where XXX=L



TX-102-2

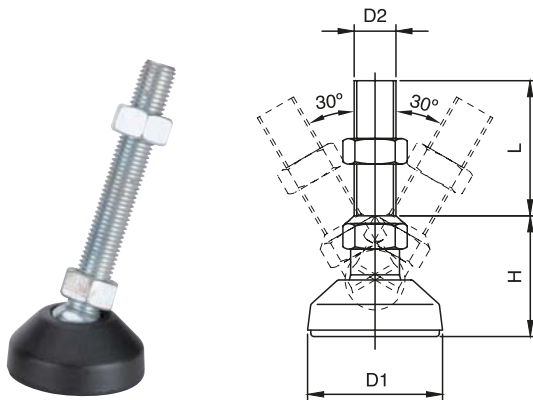
4.516.001

NAME	COMPONENTS			MATERIAL	
Adjustable foot	Screw			Steel zinc plated	
	Base			Steel zinc plated with rubber from below	
CAT. NUMBER	D1	D2	H	L	LOAD
4.516.001.XXX	40	M10	21	100,150	200kg
4.516.002.XXX		M12	23	100,150	300kg
4.516.003.XXX		1/2"	23	100,150	300kg
4.516.004.XXX	60	M12	30	100,150	300kg
4.516.005.XXX		M16	32	100	500kg
4.516.006.XXX		1/2"	30	50,100	300kg
4.516.007.XXX		5/8"	32	100	500kg

: where XXX=L

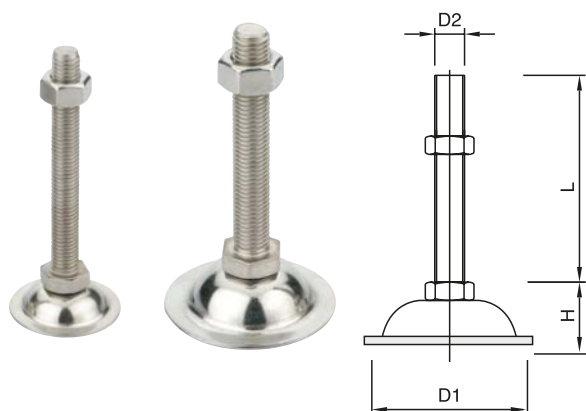
4.517.001

with movable screw



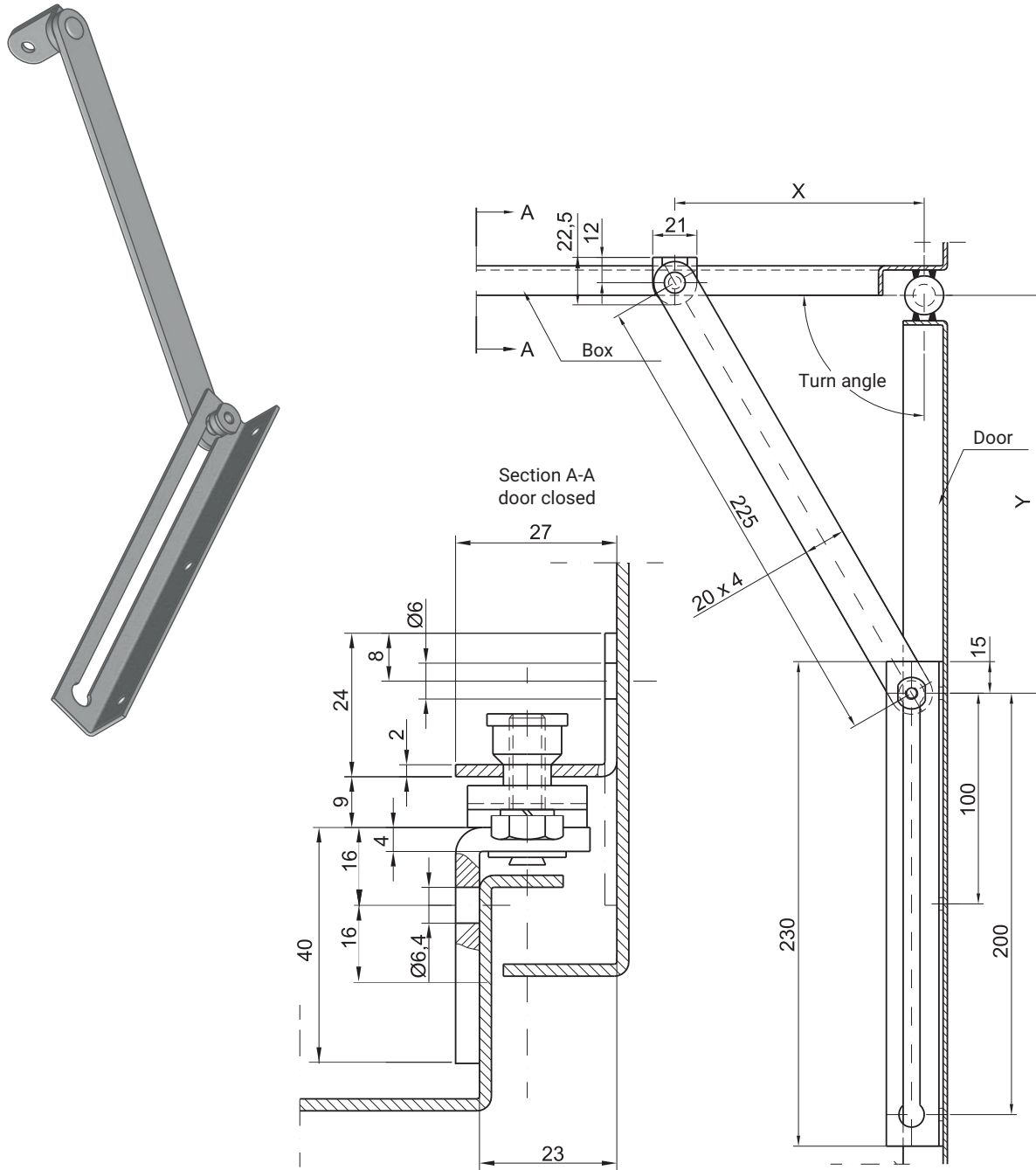
NAME	COMPONENTS			MATERIAL	
Adjustable foot	Screw			Steel zinc plated	
	Base			Polyamide	
CAT. NUMBER	D1	D2	H	L	LOAD
4.517.001.XXX	65	M16	39	150	300kg
4.517.002.XXX		M16	39	100	300kg
4.517.003.XXX		5/8"	39	100	300kg

: where XXX=L

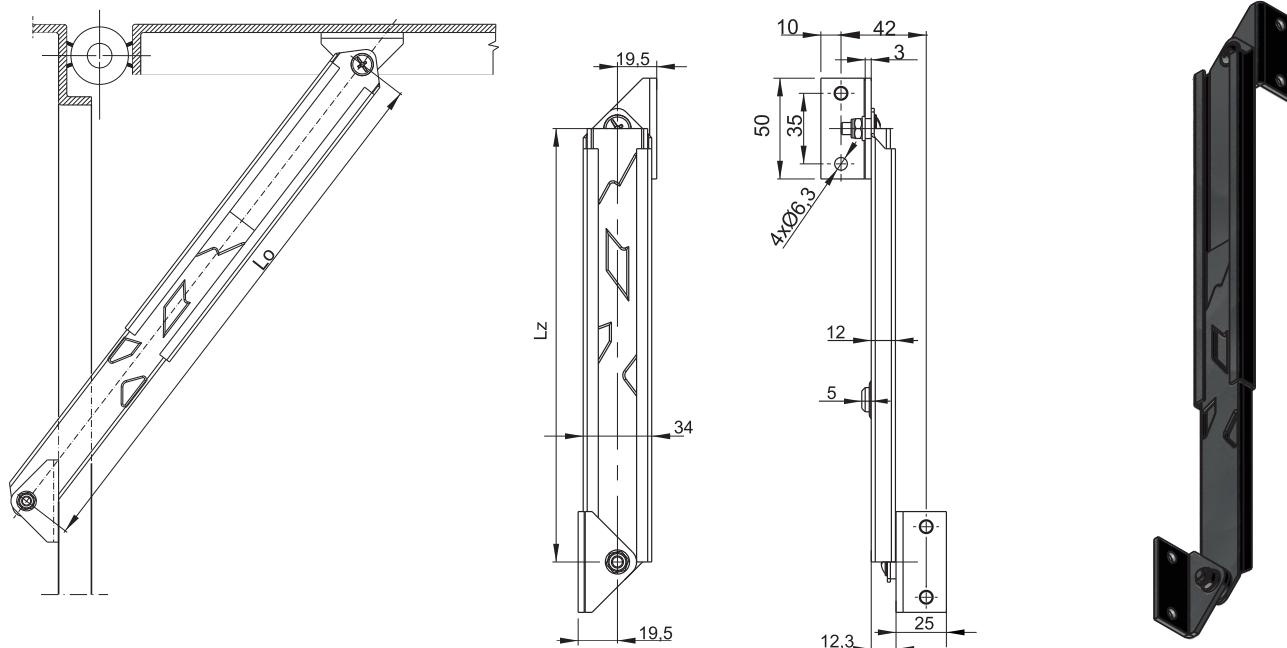
4.518.001

NAME	COMPONENTS			MATERIAL	
Adjustable foot	Screw			Stainless steel 304	
	Base			Stainless steel 304	
CAT. NUMBER	D1	D2	H	L	LOAD
4.518.001.XXX	50	M10	18	50, 100	150kg
4.518.002.XXX		M12	20	50, 75, 100	200kg
4.518.003.XXX		1/2"	20	50, 75, 100	200kg
4.518.004.XXX	70	M12	27	50, 75, 100, 150	300kg
4.518.005.XXX		M16	30	50, 75, 100, 150	400kg
4.518.006.XXX		1/2"	27	50, 75, 100	300kg
4.518.007.XXX		5/8"	30	100	400kg

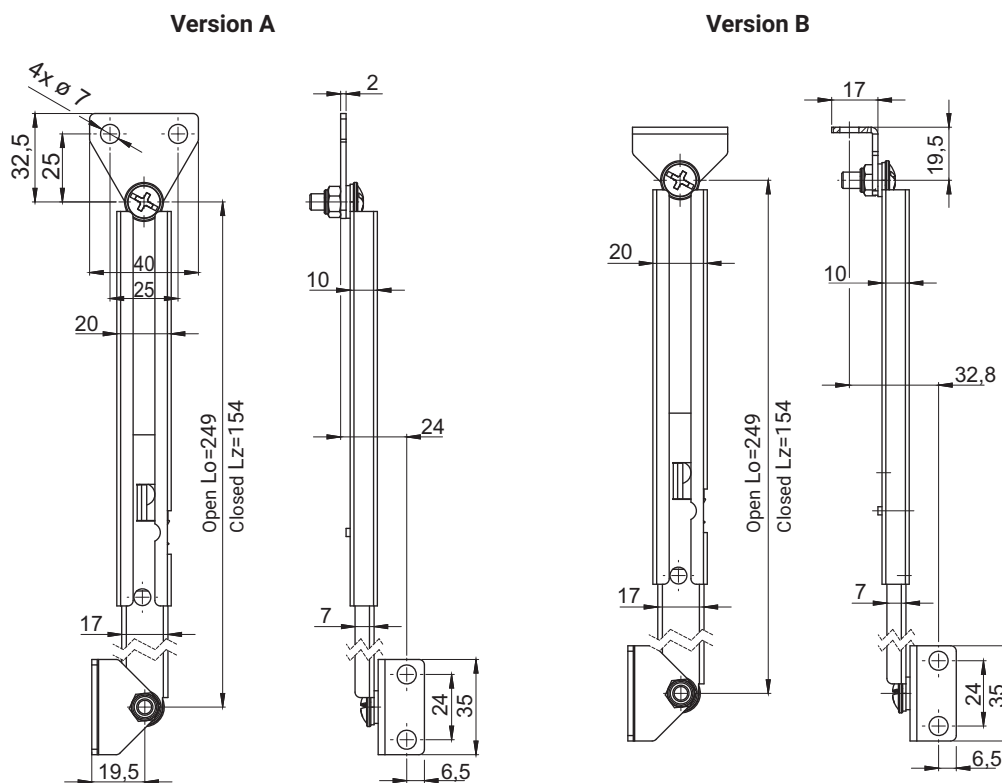
: where XXX=L



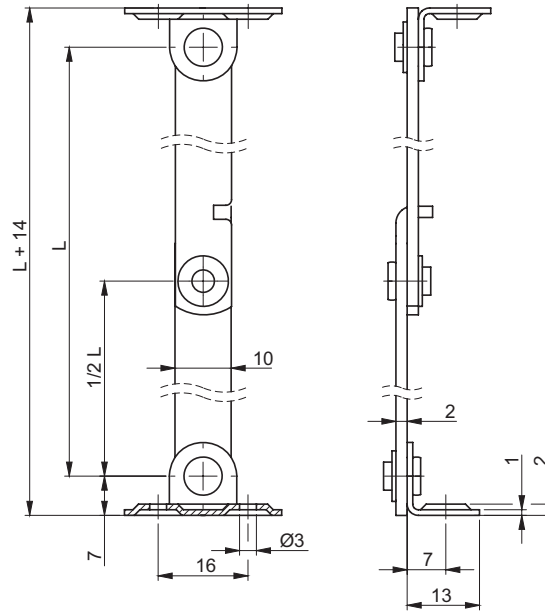
CAT. NUMBER	NAME	MATERIAL	TURN ANGLE	DIMENSION [mm]		MIN. DOOR WIDTH
				X	Y	
4.401.001	Door blockade	Steel zinc plated	90°	140	176	399
			105°	120	162	385
			120°	110	149	372
			135°	100	144	367



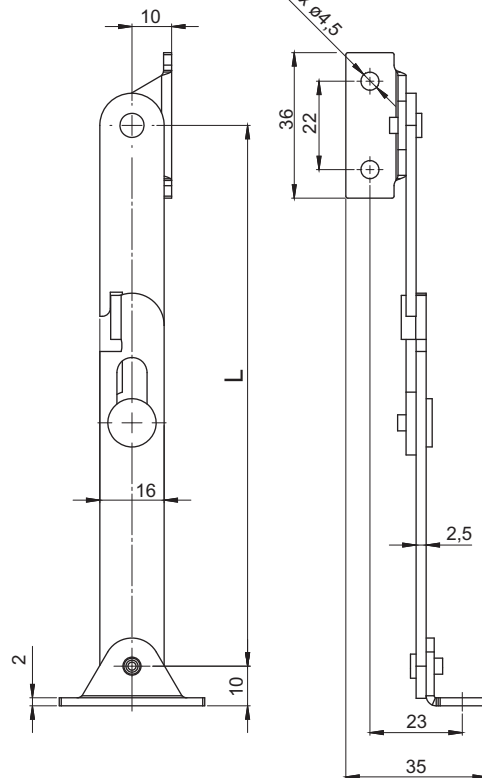
CAT. NUMBER	NAME	MATERIAL	Lz - closed	Lo - open
4.401.101	Telescopic blockade	Steel zinc plated	215	335
4.401.102			395	695



CATALOGUE NO.	VERSION	DETAL	VERSION	MATERIAL
4.401.105	A	Telescopic blockade	Left	Steel zinc plated
4.401.106			Right	
4.401.107	B		Left	
4.401.108			Right	

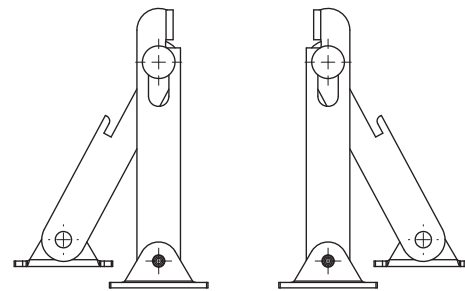


CATALOGUE NUMBER	Dimension L [mm]	MATERIAL
4.401.200	292	Steel zinc plated
4.401.201	252	
4.401.202	202	
4.401.203	135	
4.401.200SN	292	Stainless steel
4.401.201SN	252	
4.401.202SN	202	
4.401.203SN	135	



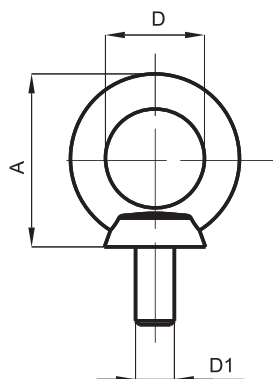
Left version

Right version



CATALOGUE NO.	VERSION	L	MATERIAL
4.401.301	Right	290	Steel zinc plated
4.401.301SN			Stainless steel
4.401.302	Left	202	Steel zinc plated
4.401.302SN			Stainless steel
4.401.303	Right	202	Steel zinc plated
4.401.303SN			Stainless steel
4.401.304	Left	202	Steel zinc plated
4.401.304SN			Stainless steel
4.401.305	Right	135	Steel zinc plated
4.401.305SN			Stainless steel
4.401.306	Left	135	Steel zinc plated
4.401.306SN			Stainless steel

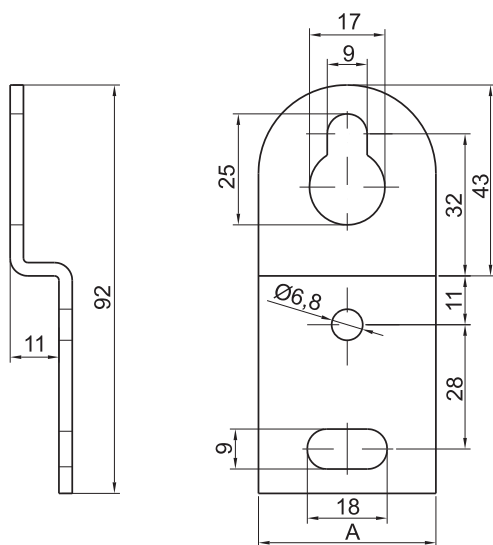
Screw 4.430. ...



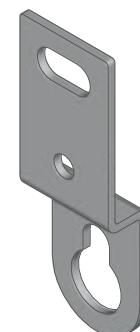
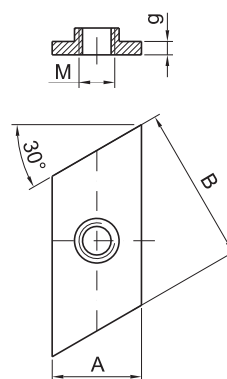
Version	D1	A	D
4.430.001	M8	37	ø20,5
4.430.002	M10	44,5	ø25,5
4.430.003	M12	53,5	ø29,8
4.430.004	M14	64	ø34,5
4.430.005	M16	64	ø34,5

CAT. NUMBER	MATERIAL
4.430....	Steel zinc plated

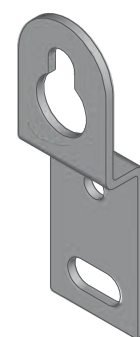
BOX HOLDER
4.410....



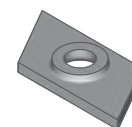
TRAPEZIUM NUT
4.409....



BOX HOLDER
LOWER



BOX HOLDER
UPPER

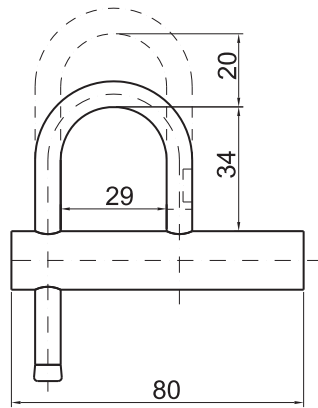


CAT. NUMBER	NAME	MATERIAL	A	B	G	M
4.409.003	Trapezium nut	Steel zinc plated	20	35	3	M8
4.409.002			15	20	3	M8
4.409.001			12	30	3	M6
4.410.001	Box holder	Steel zinc plated	30	2,5	-	-
4.410.002	40		3	-	-	

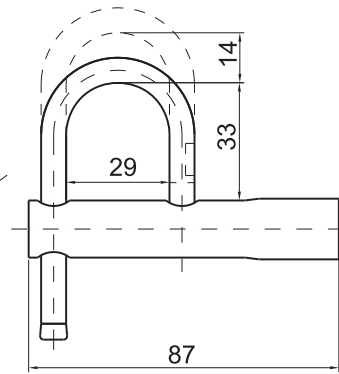
stainless steel



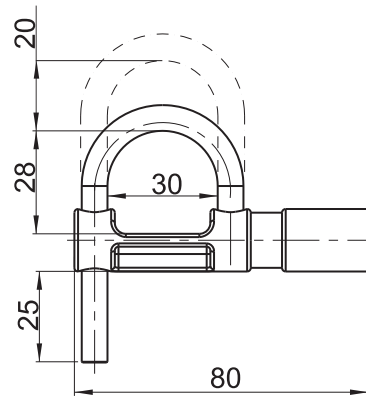
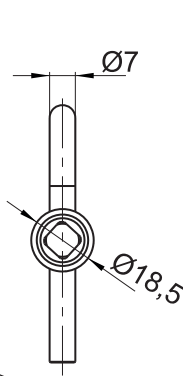
PADLOCK 4.KD.001



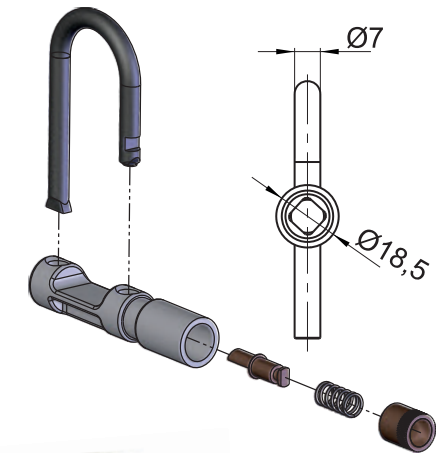
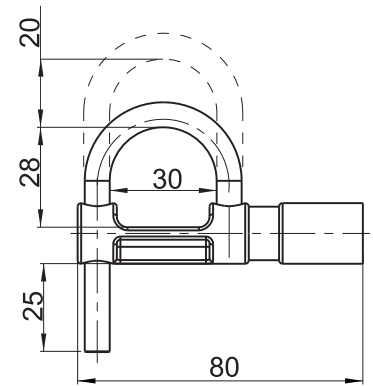
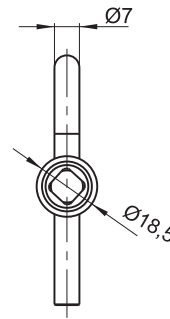
PADLOCK SN 4.KDSN.001



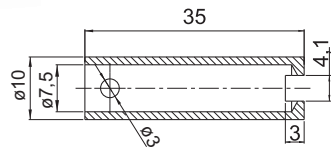
PADLOCK SN 4.KDZN.001



SELF-LOCKING PADLOCK 4.KDZN.002



KEY 4.KDZN.002.06

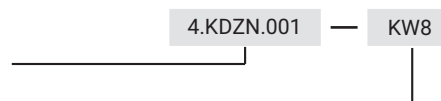


INSERTS [X]			
4.KD.001, 4.KDSN.001, 4.KDZN.001			
T9	KW8	KW6	C9

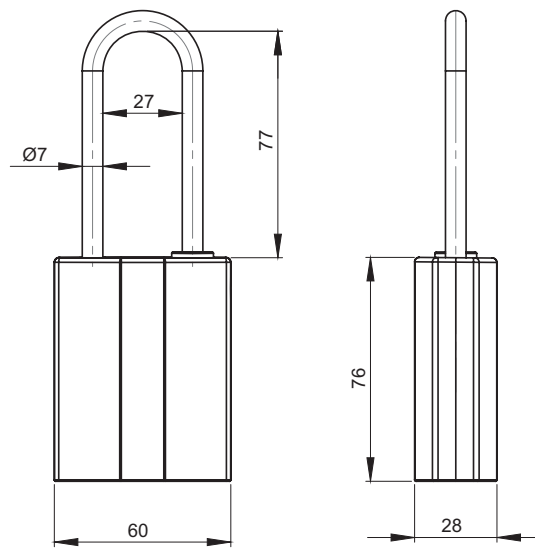
CAT. NUMBER	NAME	MATERIAL
4.KD.001	Padlock KD	Steel zinc plated
4.KDSN.001	Padlock KDSN	Stainless steel- 1.4301
4.KDZN.001	Padlock KDZN	Zamak - zinc plated
4.KDZN.002	Self-locking padlock KDZN	
4.KDZN.002.06	Key for padlock KDZN002	Steel zinc plated

How to order :

Type of lock
Type of insert [X]

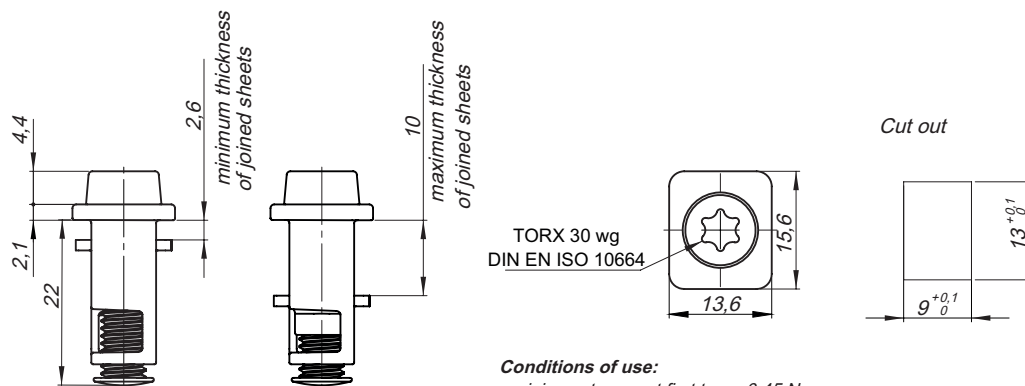
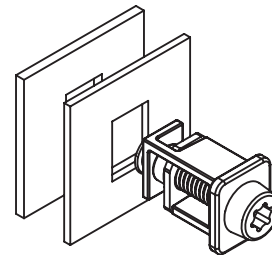
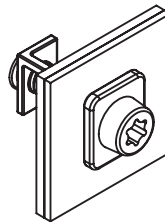


Padlock 4.KDZN.100 Quick connector 4.600



CATALOGUE NUMBER	COMPONENTS	MATERIAL	FINISH [C]
			RAL9005
4.KDZN.100	Body	ZAMAK	04
	Shackle	Steel zinc plated	-

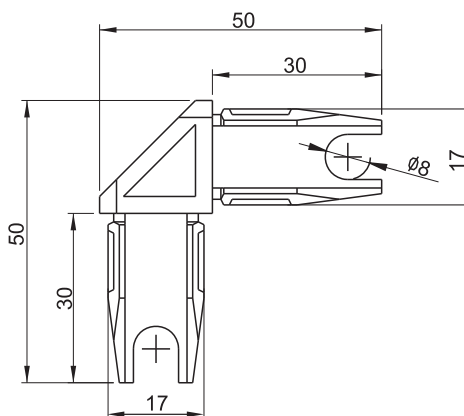
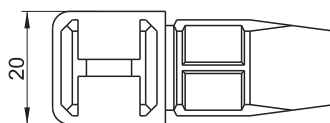
Padlock is equipped with a special shaped insert type D13.



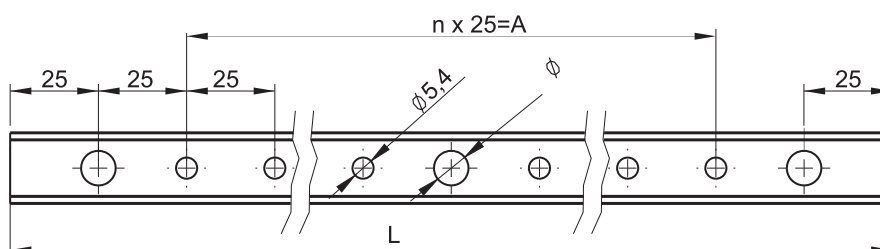
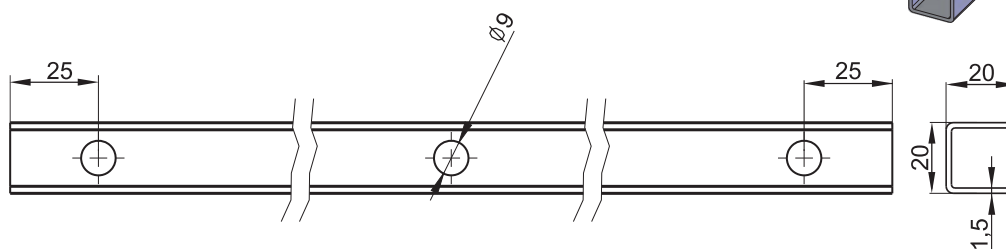
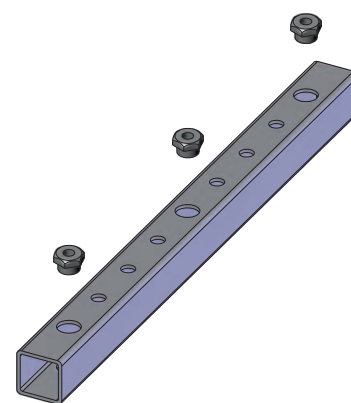
Conditions of use:
 - minimum torque at first turn - 0,45 Nm
 - minimum torque at fifth turn - 0,35 Nm

CATALOGUE NUMBER	COMPONENTS	MATERIAL
4.600.001	Body	Znal zinc plated
	Screw, Nut	Steel zinc plated

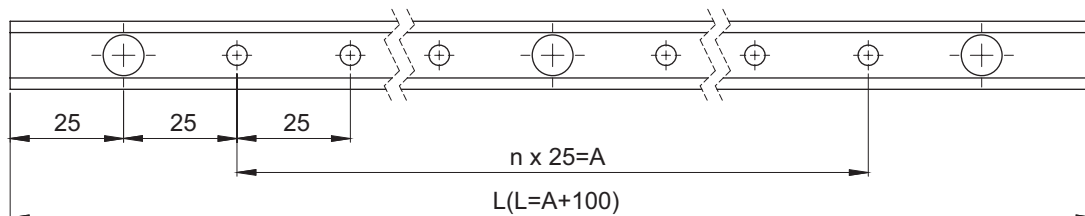
Frame connector **4.422.001**



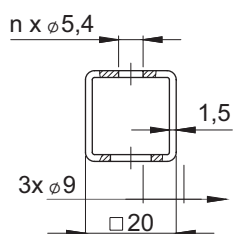
Profile



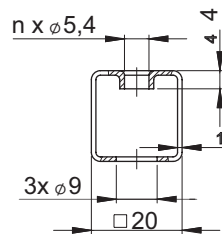
CAT. NUMBER	MATERIAL	NAME	DIMENSION L	nx25=A
4.422.001	Zamak-zinc plated	Frame connector	-	-
4.422.002	Steel zinc plated	Nut M6x	-	-
4.450.01.1850	Steel zinc plated	Profile	1850	70 x 25 = 1750
4.450.01.1650			1650	62 x 25 = 1550
4.450.01.1450			1450	54 x 25 = 1350
4.450.01.1050			1050	38 x 25 = 950
4.450.01.0600			600	20 x 25 = 500
4.450.01.0400			400	12 x 25 = 300



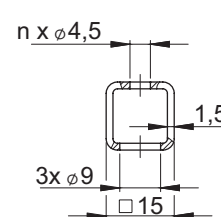
Version 001



Version 002

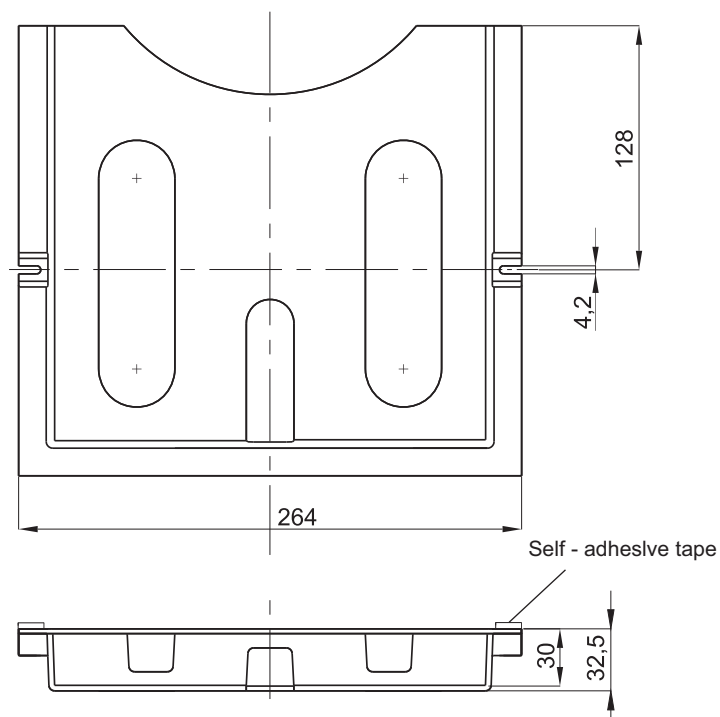


Version 003



CATALOGUE NO.			DIMENSION L	n x 25 = A	MATERIAL
VERSION					
001	002	003			
-	4.450.002.1900	-	1900	72 x 25 = 1850	Steel zinc plated
4.450.001.1850	4.450.002.1850	-	1850	70 x 25 = 1750	
4.450.001.1650	4.450.002.1650	-	1650	62 x 25 = 1550	
4.450.001.1450	4.450.002.1450	-	1450	54 x 25 = 1350	
4.450.001.1050	4.450.002.1050	-	1050	38 x 25 = 950	
-	-	4.450.003.700	700	24 x 25 = 600	
4.450.001.0600	-	-	600	20 x 25 = 500	
4.450.001.0400	-	-	400	12 x 25 = 300	
-	-	4.450.003.350	350	10 x 25 = 250	

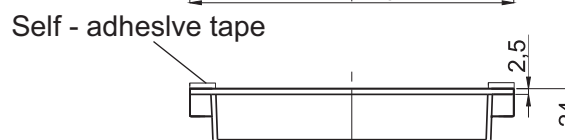
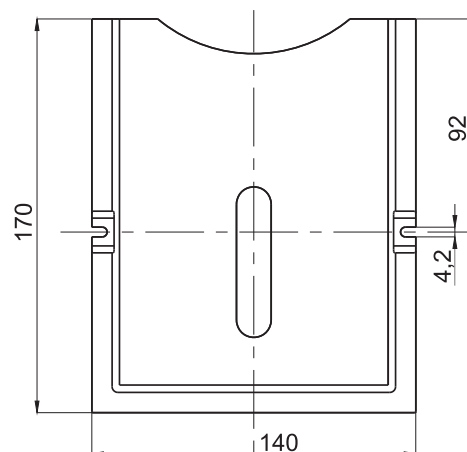
Pocket A4 4.420.001



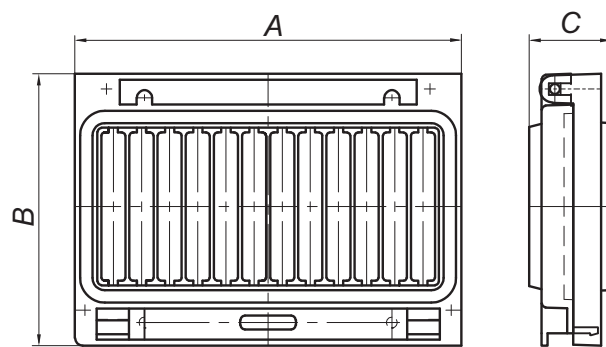
CATALOGUE NUMBER	NAME	MATERIAL	FINISH [C]
			RAL 7035
4.420.001	Document pocket A4	ABS	08



Pocket A6 4.420.002

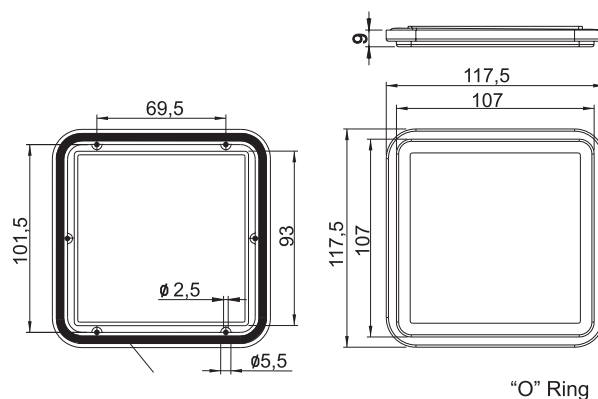


CATALOGUE NUMBER	NAME	MATERIAL	FINISH [C]
			RAL 7035
4.420.002	Document pocket A6	ABS	08



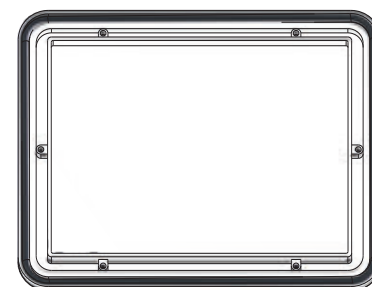
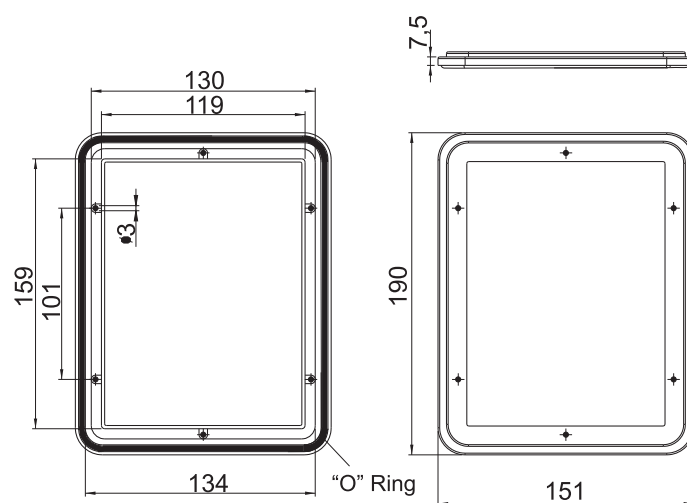
L.p.	A	B	C
4.110	88,5	88	27
4.111	125	88	27
4.112	161,5	88	27
4.113	234	88	27
4.114	254	210	27

WINDOW 117 x 117

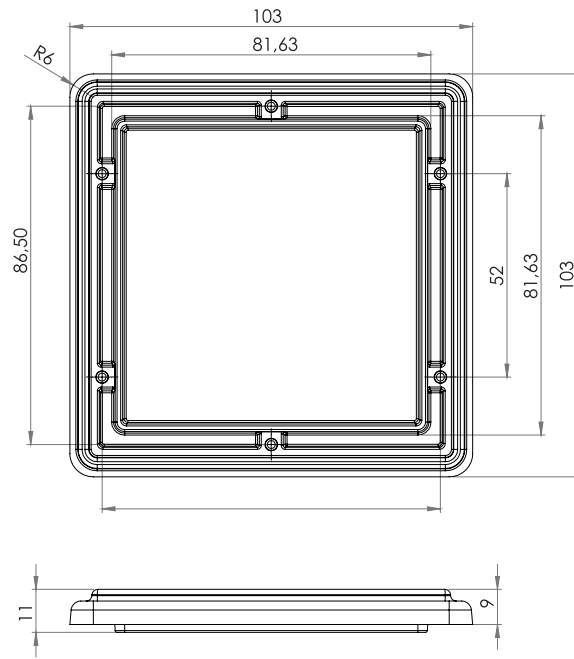


CAT. NUMBER	NAME	MATERIAL
4.423.001	Window 117 x 117	Polycarbonate

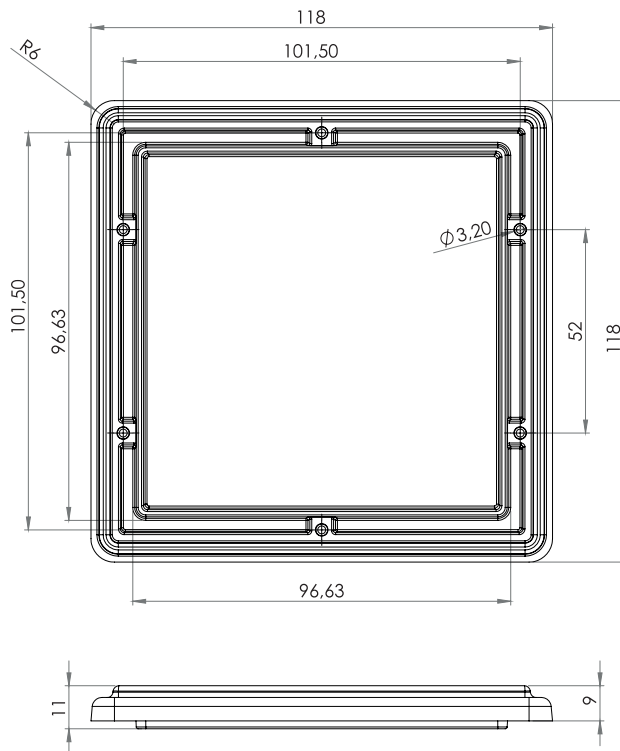
WINDOW 151 x 190



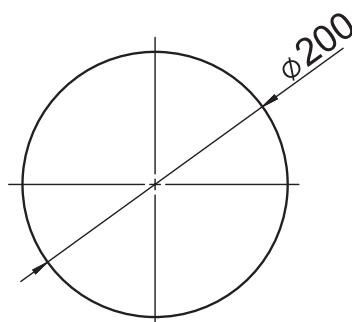
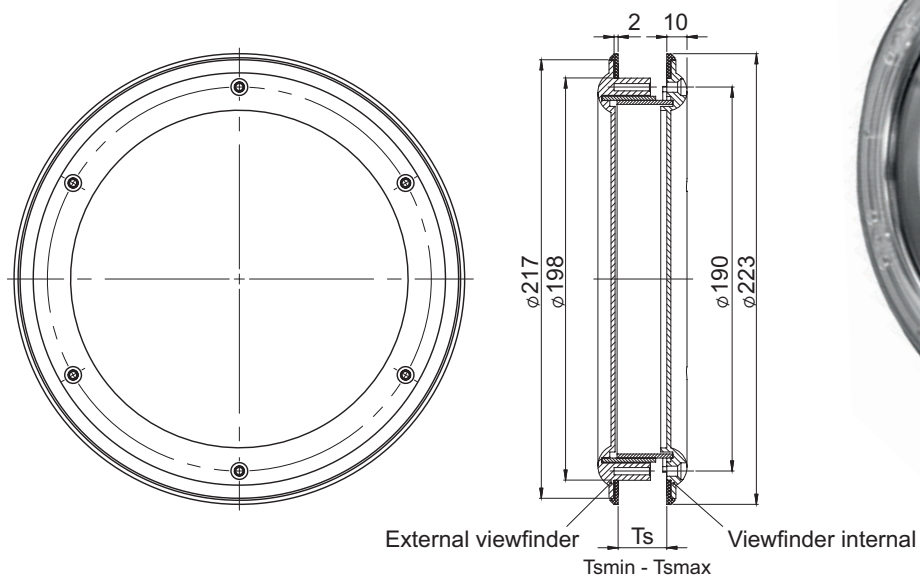
CAT. NUMBER	NAME	MATERIAL
4.423.002	Window 151 x 190	Polycarbonate



CAT. NUMBER	COLOUR	MATERIAL
4.423.003	Transparent	Polycarbonate



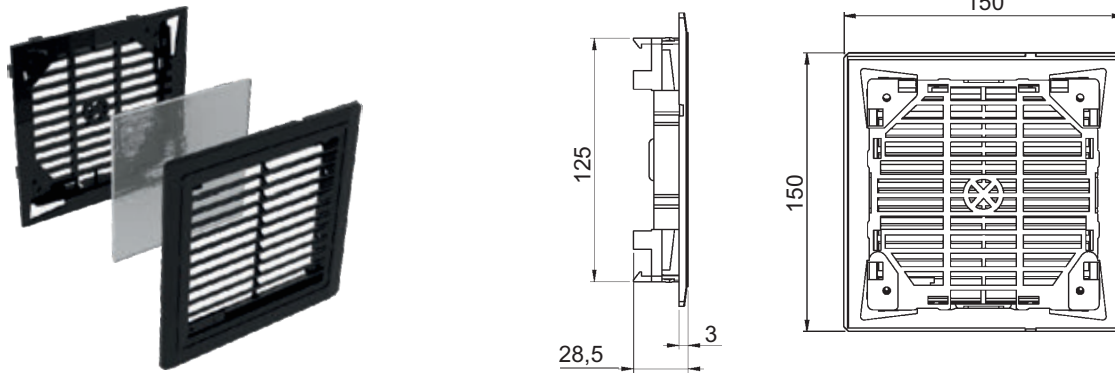
CAT. NUMBER	COLOUR	MATERIAL
4.423.004	Transparent	Polycarbonate



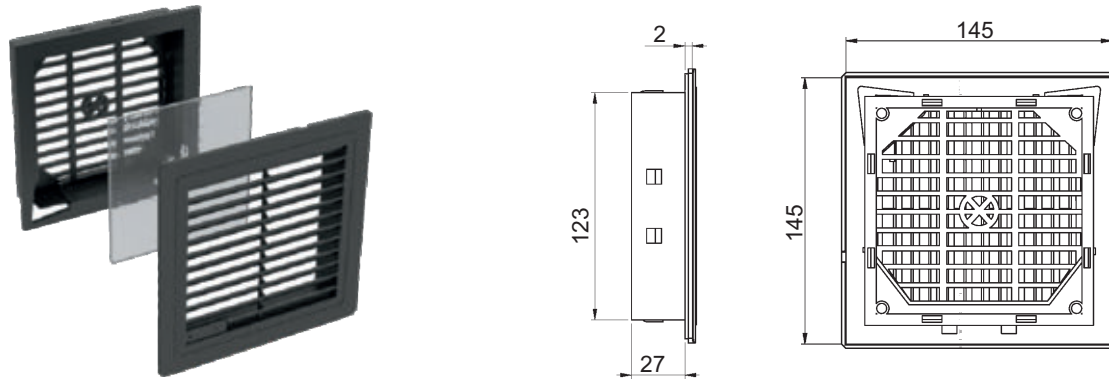
cut out

CATALOGUE NO.	DIMENSION T_s	DETAL	COMPONENTS	MATERIAL
4.425.001	19 - 35	Inspection window	Viewfinder	Polycarbonate
4.425.002	39 - 53		Gasket	EPDM
4.425.003	54 - 65			
4.425.004	70 - 90		Adjusting ring	Poliamid
4.425.005	95 - 110			

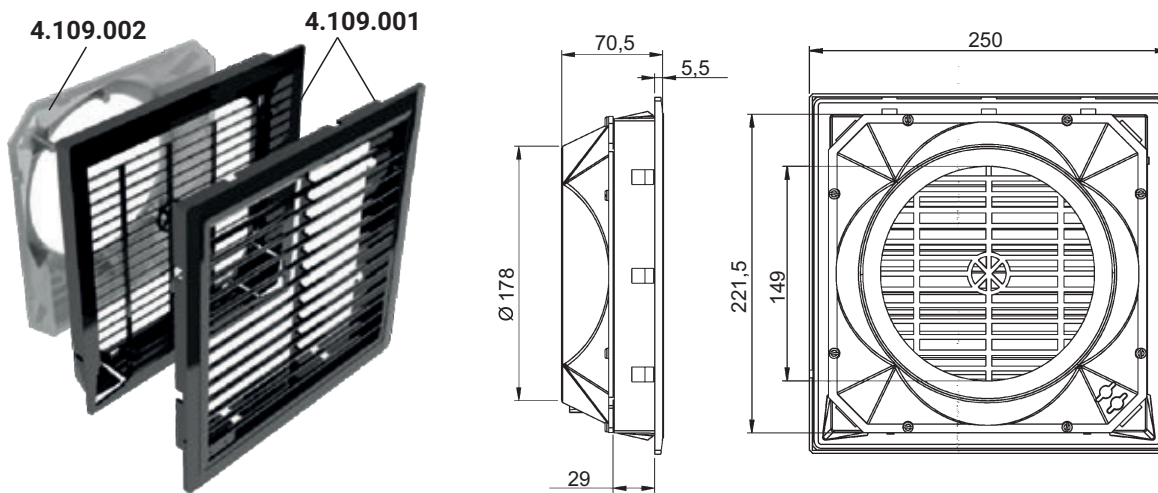
$T_{smin} - T_{smax}$ - the range of thickness adjustment of inspection window



CAT. NUMBER	MATERIAL	FINISH [C]	
		RAL 9005	RAL 7035
4.107.001	ABS	07	08



CAT. NUMBER	MATERIAL	FINISH [C]	
		RAL 9005	RAL 7035
4.108.001	ABS	07	08



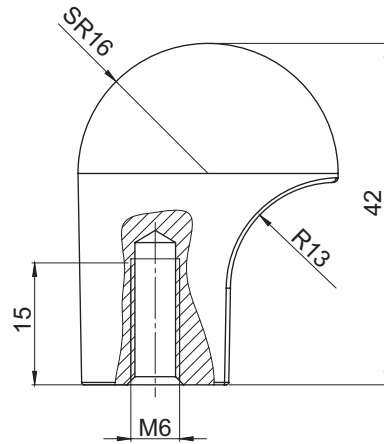
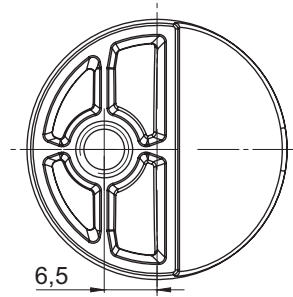
CAT. NUMBER	MATERIAL	FINISH [C]	
		RAL 9005	RAL 7035
4.109.001	ABS	07	08
4.109.002	ABS		

How to order:

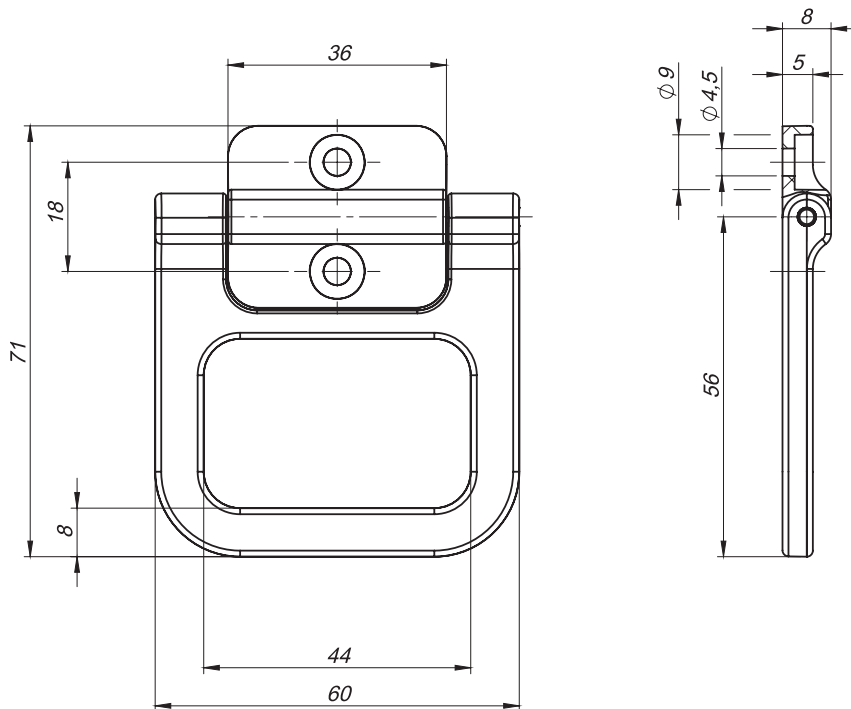
Catalogue number

Finish

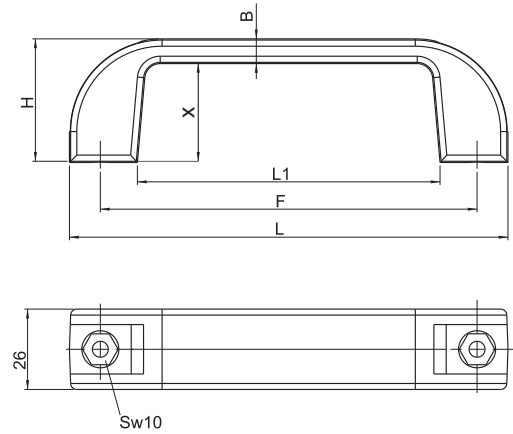
4.107.001 — C



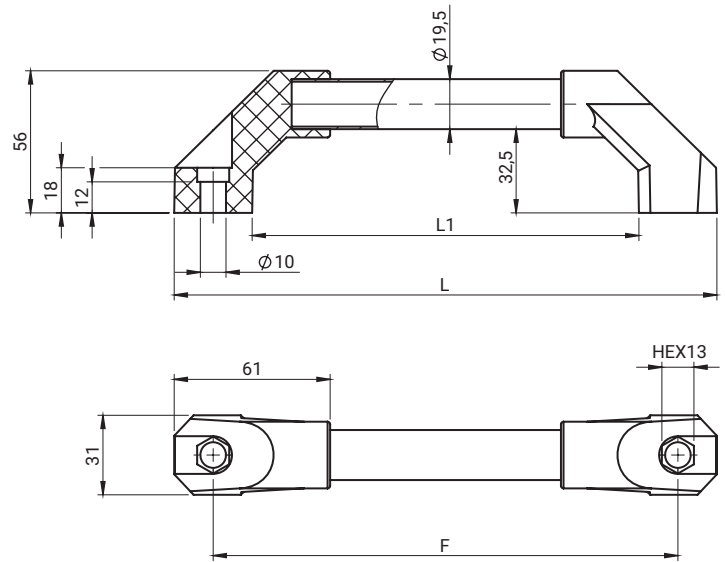
CATALOGUE NO.	DETAL	MATERIAL	FINISH [C]	
			4.250.001	Handle
			Brass	12
			No coating	0



CATALOGUE NO.	COMPONENTS	MATERIAL	FINISH [C]	
			4.444.005	Holder, Base
	Pin	Steel zinc plated	-	-

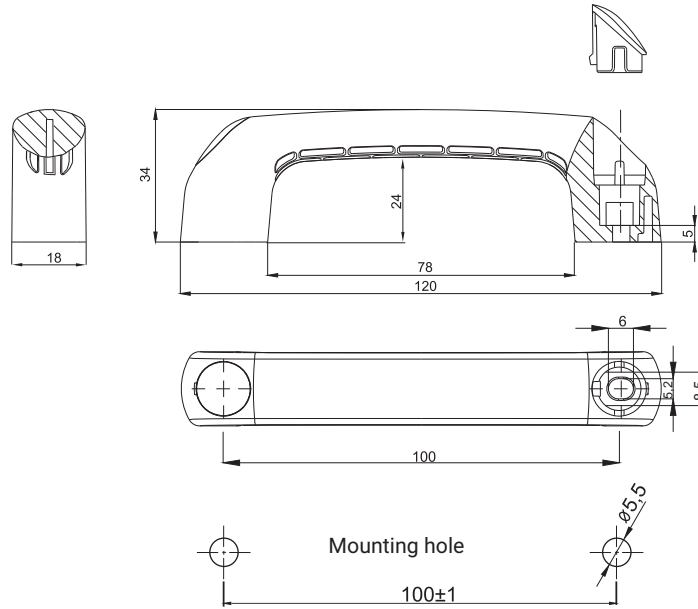


CAT. NUMBER	DIMENSION						MATERIAL	FINISH [C]
	L	F	L1	H	B	X		RAL 9005
4.440.001	107	93,5	74	36	5,50	33	Polyamide GF30	07
4.440.002	134	114	88,5	45	10,50	34		
4.440.003	144	122	94	42	12	30		
4.440.004	150	131	108	45	7	38		
4.440.005	170	150	118	54	7	42		



CAT. NUMBER	DIMENSION			MATERIAL	HOLDER FINISH [C]
	F	L	L1		RAL 9005
4.441.001	200	224	154	Holder Polyamide Handle Aluminum	07
4.441.002	300	324	254		
4.441.003	400	424	354		
4.441.004	500	524	454		

Handle PA 4.444.001



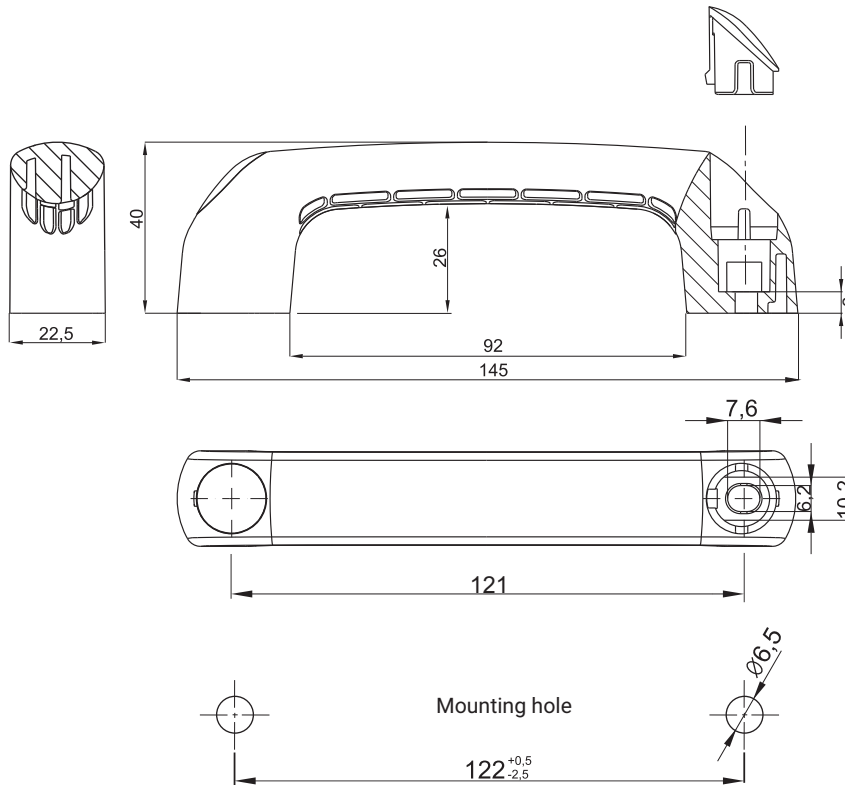
PLUG COLORS

01	black
02	blue
03	red
04	green
05	yellow
06	grey

CAT. NUMBER	MATERIAL	LOAD CAPACITY
4.444.001...	Polyamide PA6 GF30 RAL 9005	54 kg

Note: handle colors on request

Handle PA 4.444.002



PLUG COLORS [C]

01	black
02	blue
03	red
04	green
05	yellow
06	grey

Construction design allows to mount the handle into the holes with a spacing of 120mm

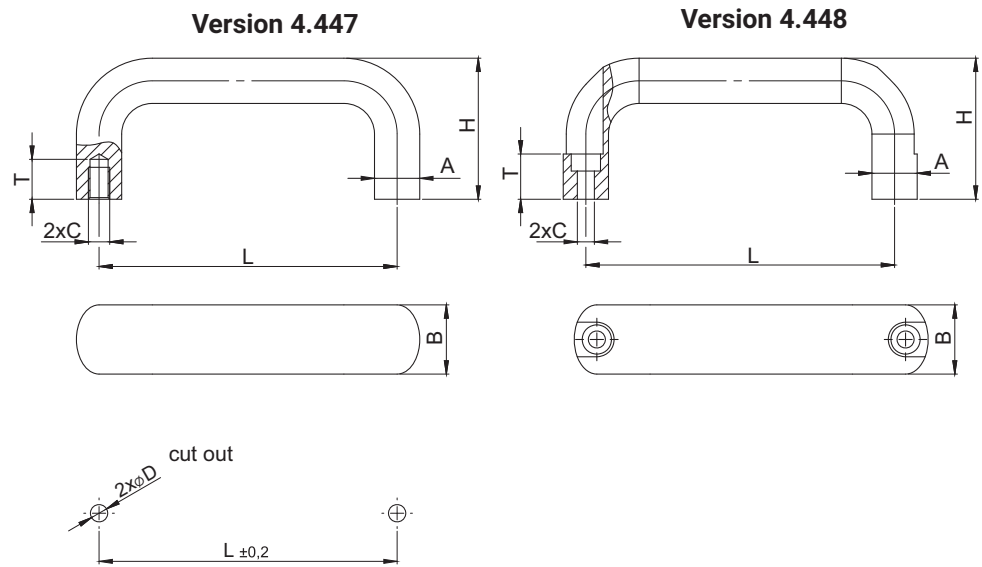
CAT. NUMBER	MATERIAL	LOAD CAPACITY
4.444.002...	Polyamide PA6 GF30 RAL 9005	54 kg

Note: handle colors on request

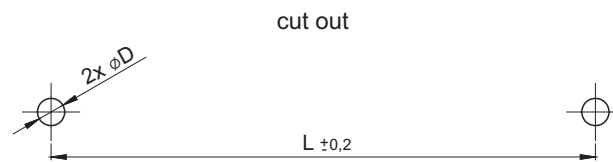
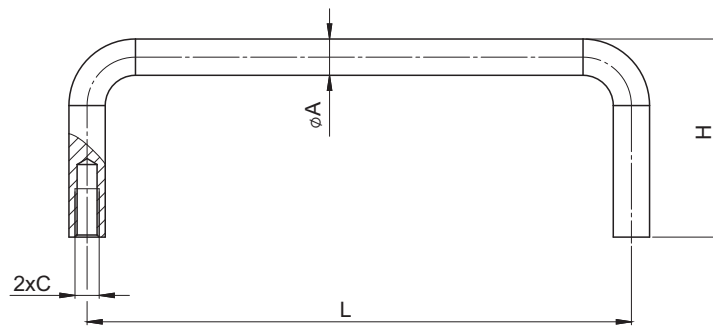
How to order:

Catalogue number 4.444.001 — C
 Plug color

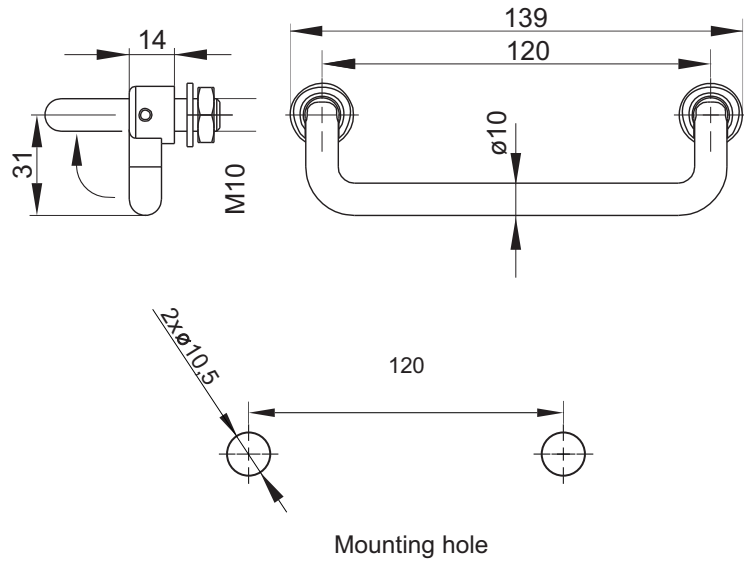
Mounting screws	4.444.001 M5	4.444.002 M6
		DIN 933
		DIN 7984
		DIN 965
		DIN 84



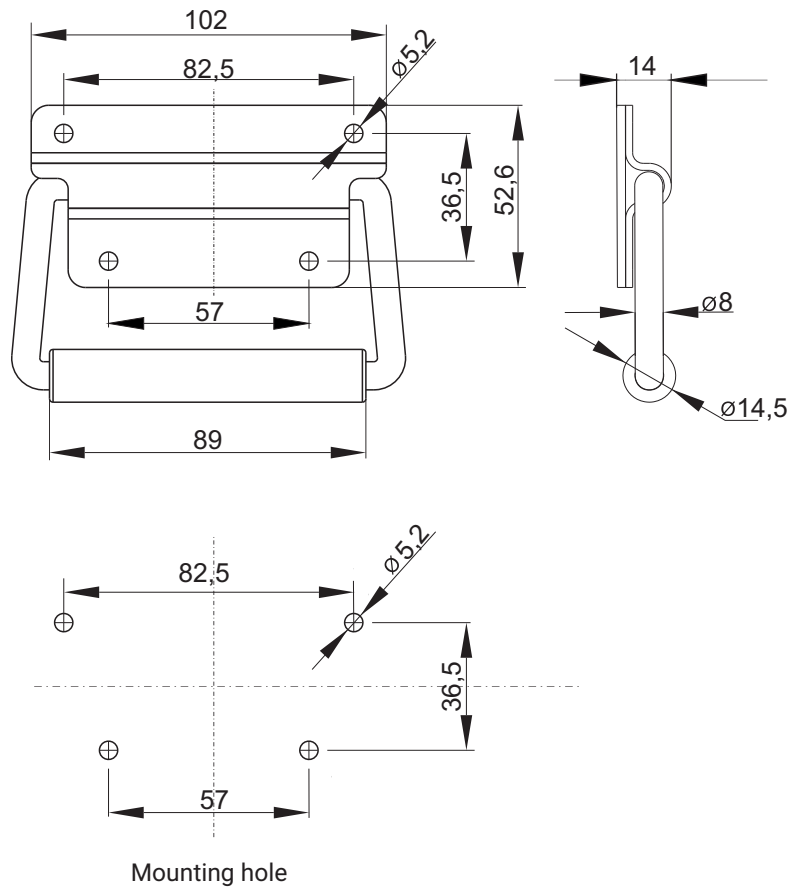
CATALOGUE NO.	DIMENSIONS							MATERIAL	FINISH					
	L	H	A	B	T	C	D							
VERSION 4.447														
4.447.001	100	47	13	20	10	M6	6,6	Aluminum	Natural					
4.447.002	112	49												
4.447.003	128	51												
4.447.004	160	51												
4.447.005	112	53												
4.447.006	128	55												
4.447.007	160	57								17	26	12	M8	9
4.447.008	192	57												
4.447.009	300	57												
4.447.010	400	57												
4.447.101	100	47												
4.447.102	112	49												
4.447.103	128	51												
4.447.104	160	51												
4.447.105	112	53												
4.447.106	128	55												
4.447.107	160	57	17	26	12	M8	9		black plastic coating					
4.447.108	192	57												
4.447.109	300	57												
4.447.110	400	57												
4.447.301	100	50						13		20	10	M6	6,6	
4.447.302	112	55												
4.447.303	112	55												
4.447.304	128	50												
4.447.305	128	55												
4.447.306	160	50												
4.447.307	160	55												
4.447.308	192	55												
4.447.309	300	55												
4.447.310	400	55												
4.447.002 SN	112	49	13	20	10	M6	6,6	Stainless steel	Natural					
4.447.003 SN	128	51												
VERSION 4.448														
4.448.001	116	53	17	26	17	ø6,4	6,6	Aluminum	Natural					
4.448.002	132	55												
4.448.003	164	57												
4.448.004	196	57												
4.448.101	116	53							black plastic coating					
4.448.102	132	55												
4.448.103	164	57												
4.448.104	196	57												



CATALOGUE NO.		DIMENSIONS				
Chrome plated steel	Stainless steel	L	A	H	C	D
4.446.001	4.446.001SN	70	6	32	M4	4,5
4.446.002	4.446.002SN	90	6	32	M4	4,5
4.446.003	4.446.003SN	102	6	32	M4	4,5
4.446.004	4.446.004SN	122	6	32	M4	4,5
4.446.005	4.446.005SN	138	6	32	M4	4,5
4.446.006	4.446.006SN	75	8	40	M5	6
4.446.007	4.446.007SN	100	8	32	M5	6
4.446.008	4.446.008SN	150	8	40	M5	6
4.446.009	4.446.009SN	90	9	32	M5	6
4.446.010	4.446.010SN	119	9	40	M5	6
4.446.011	4.446.011SN	135	9	32	M5	6
4.446.012	4.446.012SN	149	9	40	M5	6
4.446.013	4.446.013SN	155	9	32	M5	6
4.446.014	4.446.014SN	160	9	40	M5	6

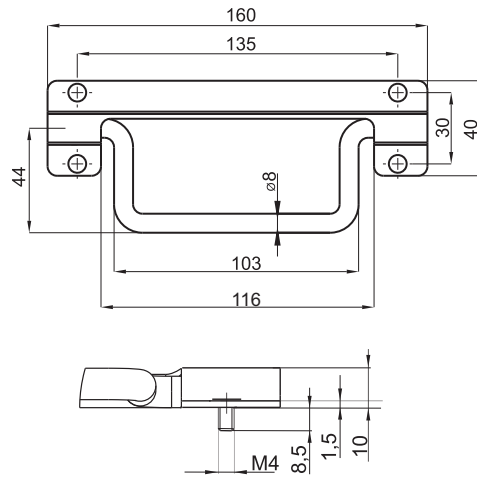


CAT. NUMBER	COMPONENTS	MATERIAL
4.444.003	Holder, Base	Stainless steel

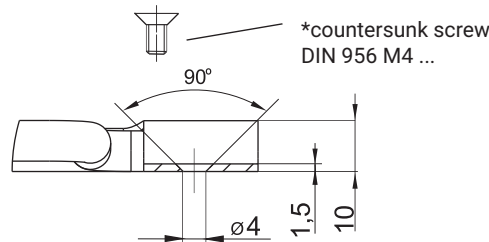


CAT. NUMBER	COMPONENTS	MATERIAL
4.444.004	Holder, Base, Spring	Steel zinc plated

Metal handle 4.442



CAT. NUMBER	COMPONENTS	MATERIAL
4.442.001	Holder, Base	Stainless steel
4.442.003	Holder, Base	Steel zinc plated



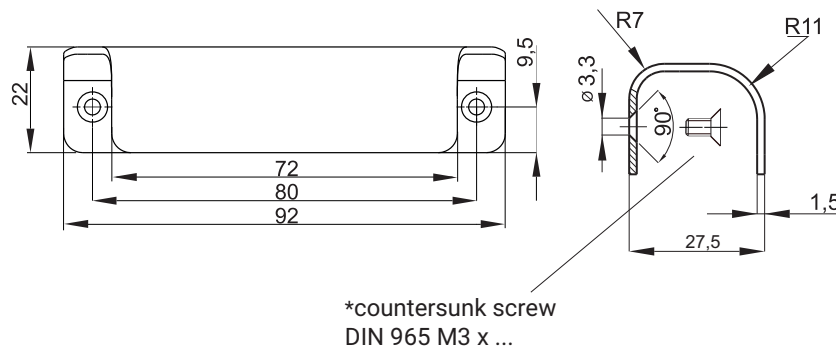
*countersunk screw
DIN 956 M4 ...



* - not included in the handle

CAT. NUMBER	COMPONENTS	MATERIAL
4.442.002	Holder, Base	Stainless steel
4.442.004	Holder, Base	Steel zinc plated

Drawer handle 4.443



*countersunk screw
DIN 965 M3 x ...



* - not included in the handle

CAT. NUMBER	COMPONENTS	MATERIAL	FINISH [C]	
			RAL 9005	RAL 7035
4.443.001	Holder	Steel zinc plated	04	05
4.443.002	Holder	Stainless steel	-	-

How to order:

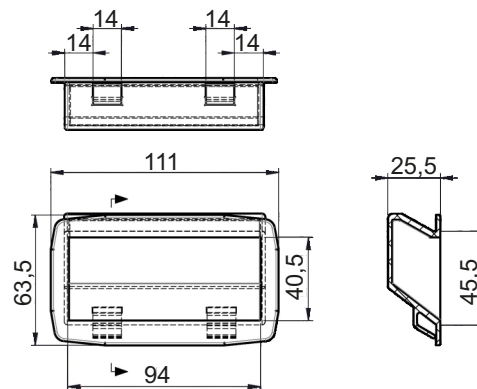
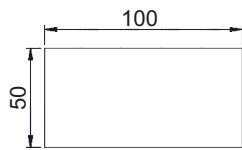
Catalogue number

Finish

4.443.001 — C

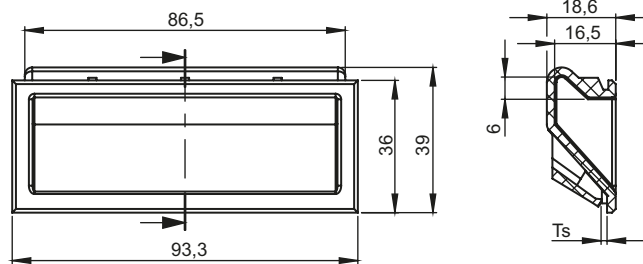


Mounting holes

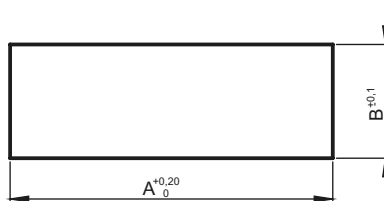


Thickness of metal sheet T_s

CAT. NUMBER	T_s	MATERIAL	FINISH [C]
			RAL 9005
4.102.001	1,2 - 1,6	Polyamide PA6	07
4.102.003	0,8 - 1,2	Polyamide PA6	07



Mounting holes



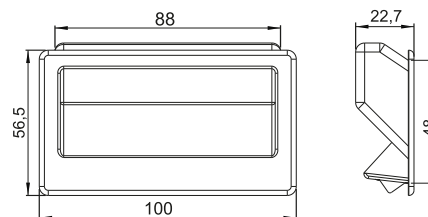
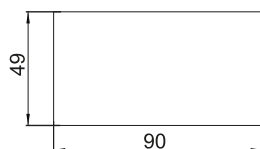
T_s	A	B
1,2 - 1,6	87	30,7
1,75 - 2,2	87	31,5

T_s - Thickness of metal sheet

CAT. NUMBER	MATERIAL	FINISH [C]
		RAL 9005
4.102.002	ABS	07

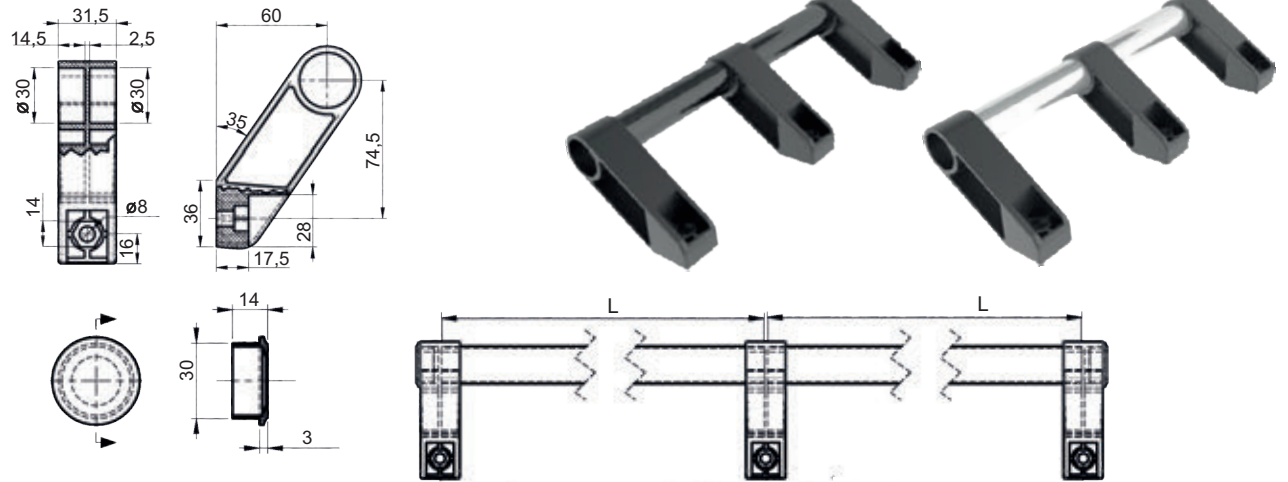


Mounting holes

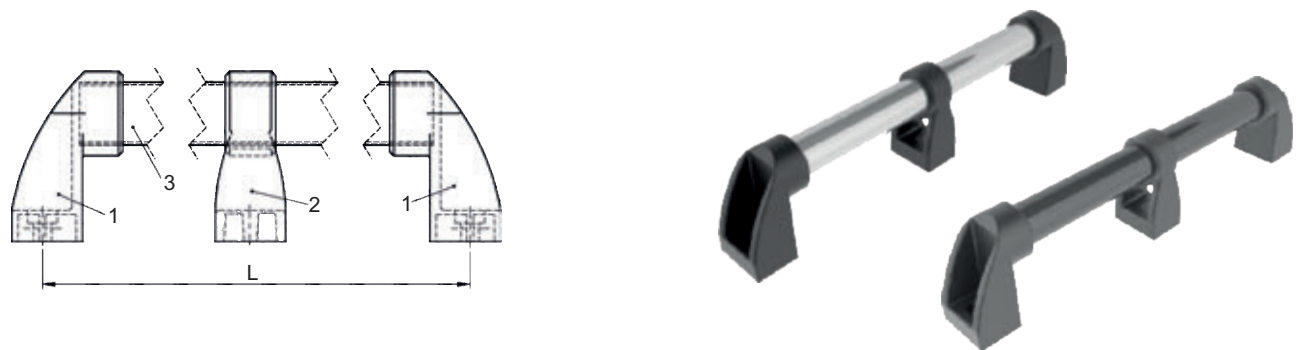


Thickness of metal sheet $T_s = 1,0 - 2,5\text{mm}$

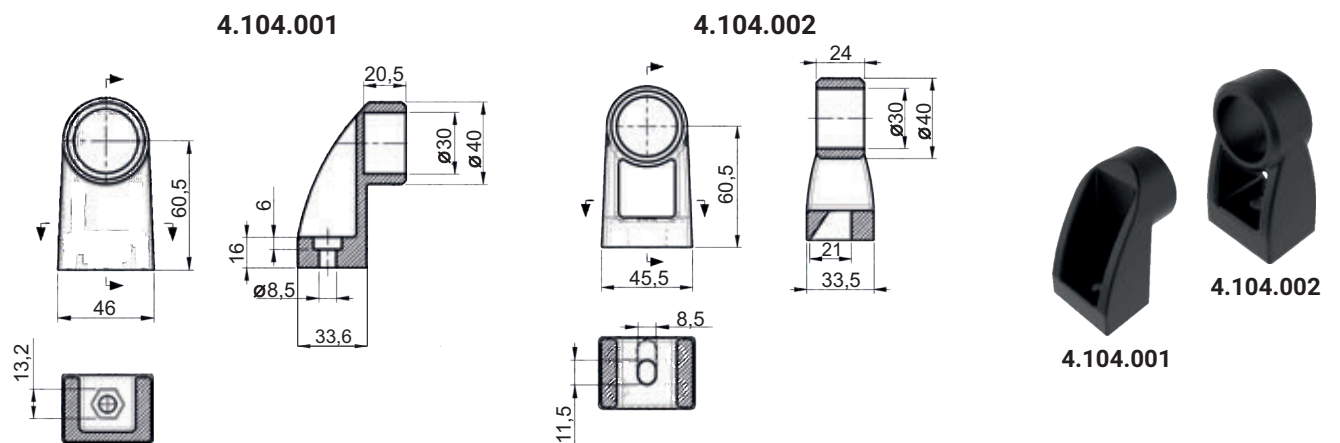
CAT. NUMBER	MATERIAL	FINISH [C]
		RAL 9005
4.470.001	Polyamide PA6	07



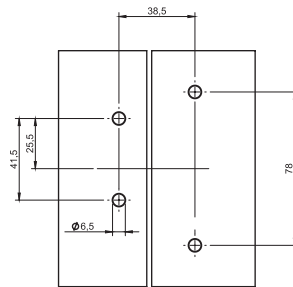
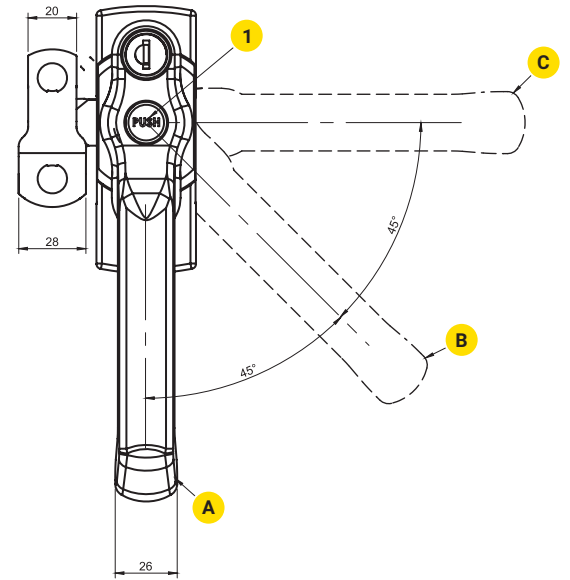
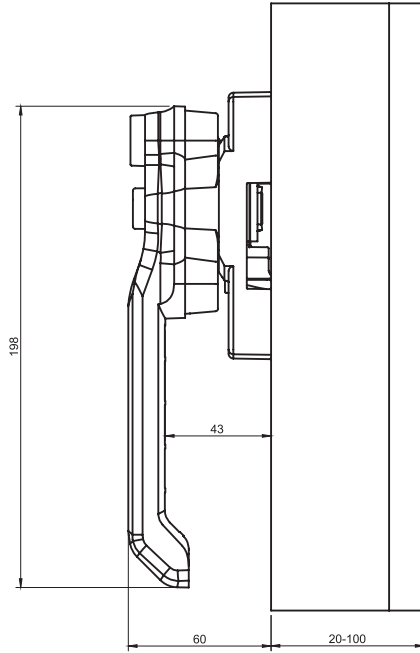
CAT. NUMBER	COMPONENTS	MATERIAL	FINISH [C]	
			RAL 9005	
4.103	Handle	Polyamide PA6	07	
	Bar	Aluminum	-	
HOLDER 4.103	L=200	L=300	L=400	L=500
PA	4.103.01	4.103.02	4.103.03	4.103.04
Aluminum	4.103.05	4.103.06	4.103.07	4.103.08



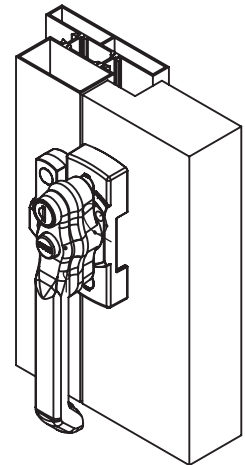
CAT. NUMBER	COMPONENTS	MATERIAL			
4.104	Handle	Aluminium			
HOLDER 4.104	L=200	L=300	L=400	L=500	
	4.104.001.01	4.104.001.02	4.104.001.03	4.104.001.04	



CAT. NUMBER	COMPONENTS	MATERIAL	FINISH [C]	
			RAL 9005	
4.104.001	Outside portion	Polyamide PA6	07	
4.104.002	Middle portion	Polyamide PA6	-	



Spacing of holes



- A** Locked position
- B** Decompression - lock is closed, but pressure is removed
- C** Open position - press button 1 to open

Specification::

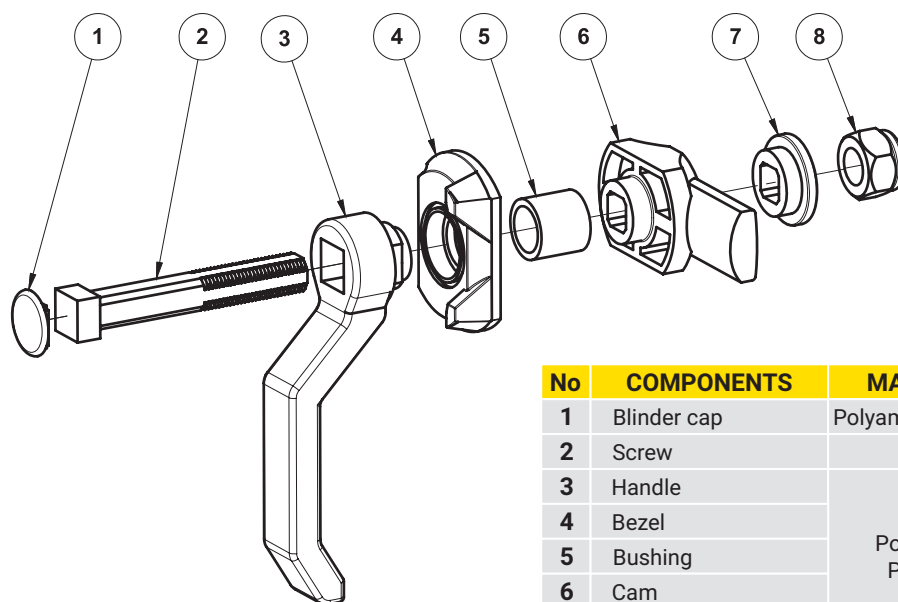
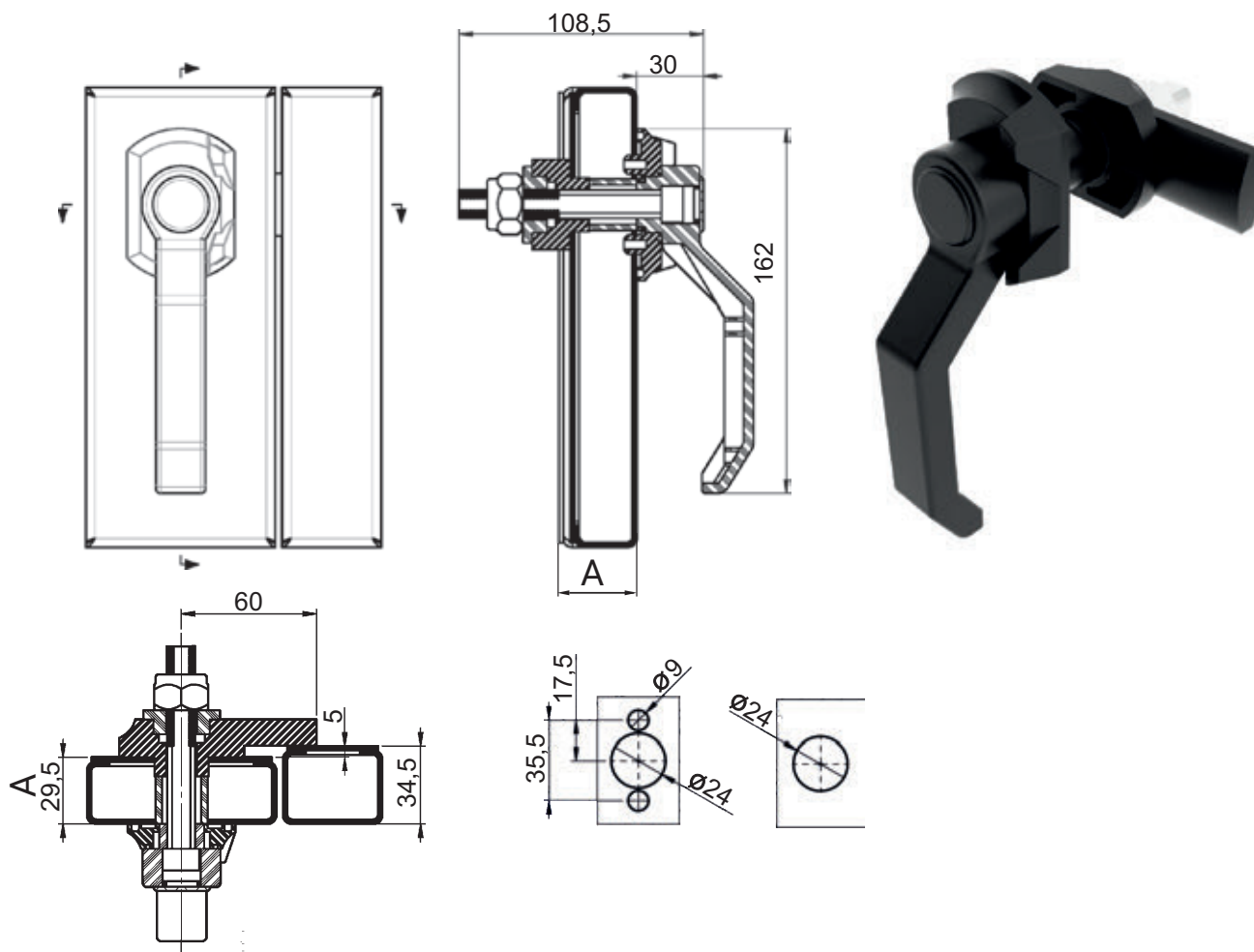
1. Locks 4.110.001 and 4.110.002 with a leakage function - protection of the cabinet user against uncontrolled opening of the door due to overpressure in the climate control panel. It allows for pressure compensation before opening the door. Locks 4.110.003 and 4.110.004 (without a button) do not have a leakage function before opening the lock..
2. Resistance of the lock to pressure of 5000 N/mm².
3. The lock can be mounted on doors with a thickness of 20-100 mm.

CATALOGUE NO.	VERSION		COMPONENTS	MATERIALS
4.110.001	lockable*	with push button	Handle Base Catch Cam	PA6GF30 ZAMAK ZAMAK Steel
4.110.002	not lockable	with push button		
4.110.003	lockable*	without push button		
4.110.004	not lockable	without push button		

* - possibility to use different key codes

| Accessories

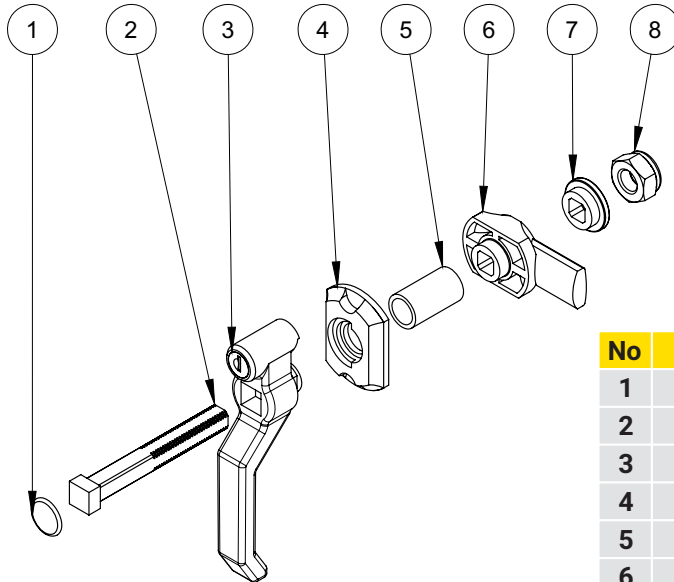
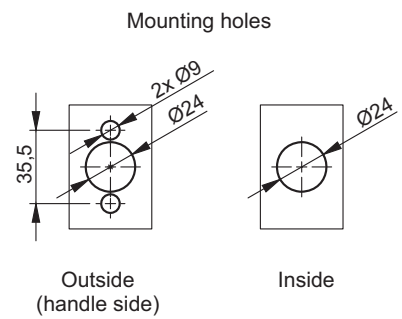
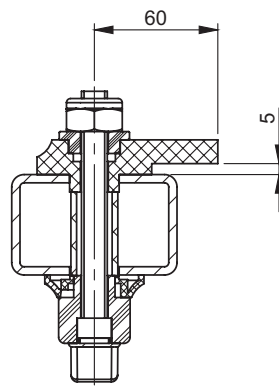
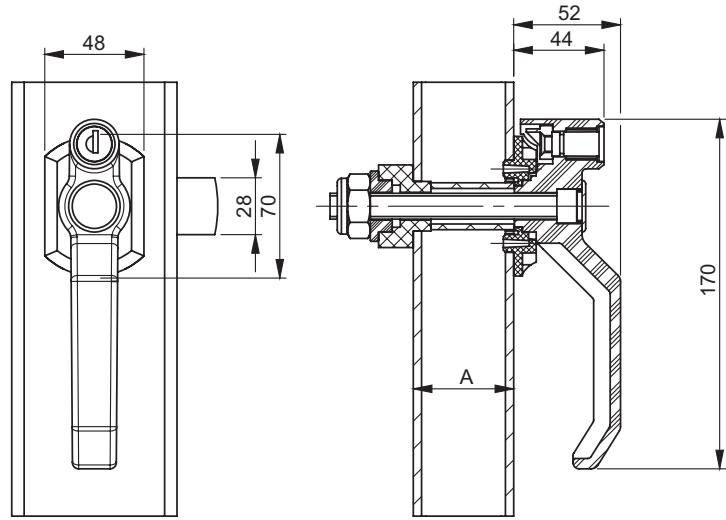
www.roztocze.eu



No	COMPONENTS	MATERIAL
1	Blinder cap	Polyamide P6GF30
2	Screw	ZnAl
3	Handle	Polyamide P6GF30
4	Bezel	
5	Bushing	
6	Cam	
7	Washer	
8	Nut	Steel zinc plated

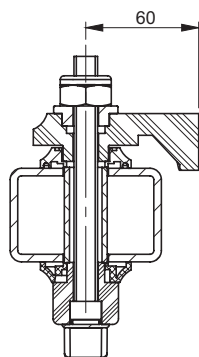
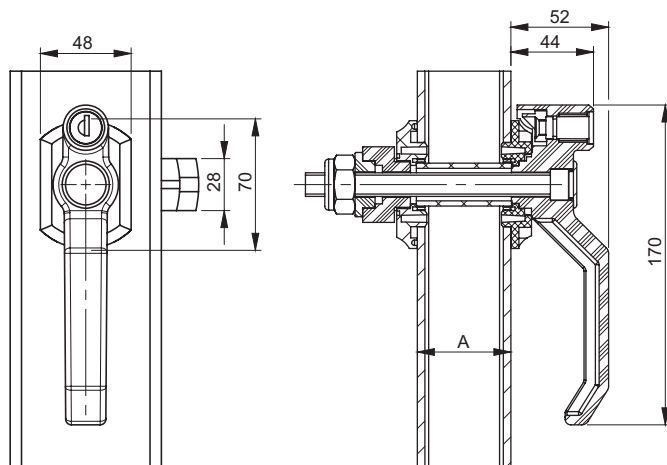
A Thickness door	180° Sign	90° turn Right	90° turn Left	FINISH [C]
				RAL 9005
30 mm	4.105.001	4.105.004	4.105.007	07
50 mm	4.105.002	4.105.005	4.105.008	
70 mm	4.105.003	4.105.006	4.105.009	

Left and right version on request. Delivery time 4-6 weeks.

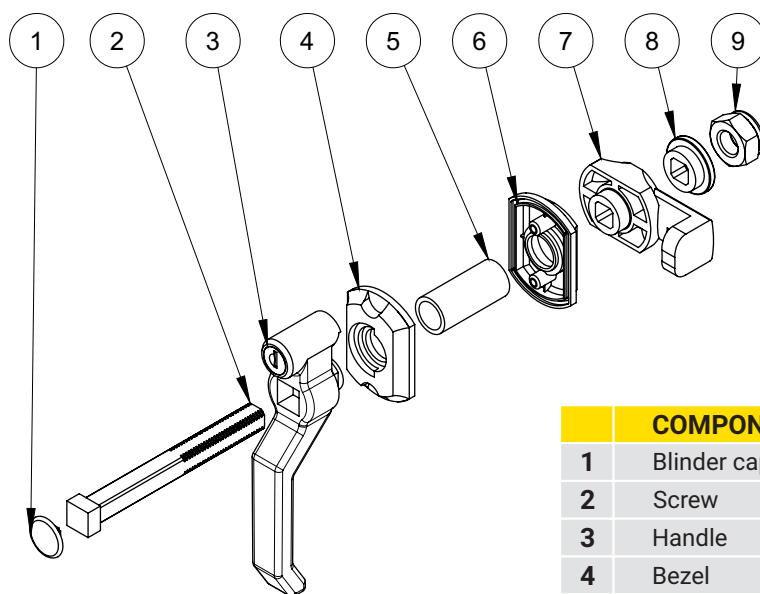
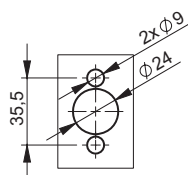


No	COMPONENTS	MATERIAL
1	Blinder cap	Polyamide P6GF30
2	Screw	ZnAl
3	Handle	Polyamide P6GF30
4	Bezel	
5	Bushing	
6	Cam	
7	Washer	Steel zinc plated
8	Nut	

CATALOGUE NUMBER	MAX. DOOR THICKNESS A [mm]	FINISH [C]
		RAL 9005
4.105.101	30	07
4.105.102	50	
4.105.103	70	

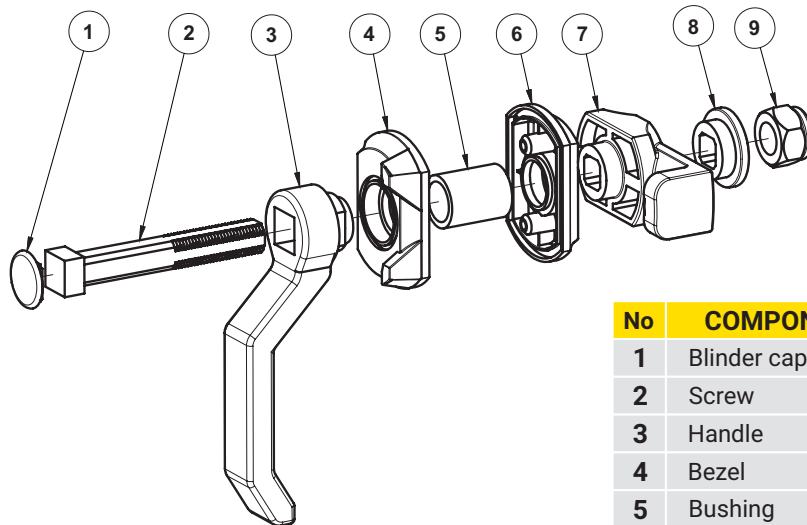
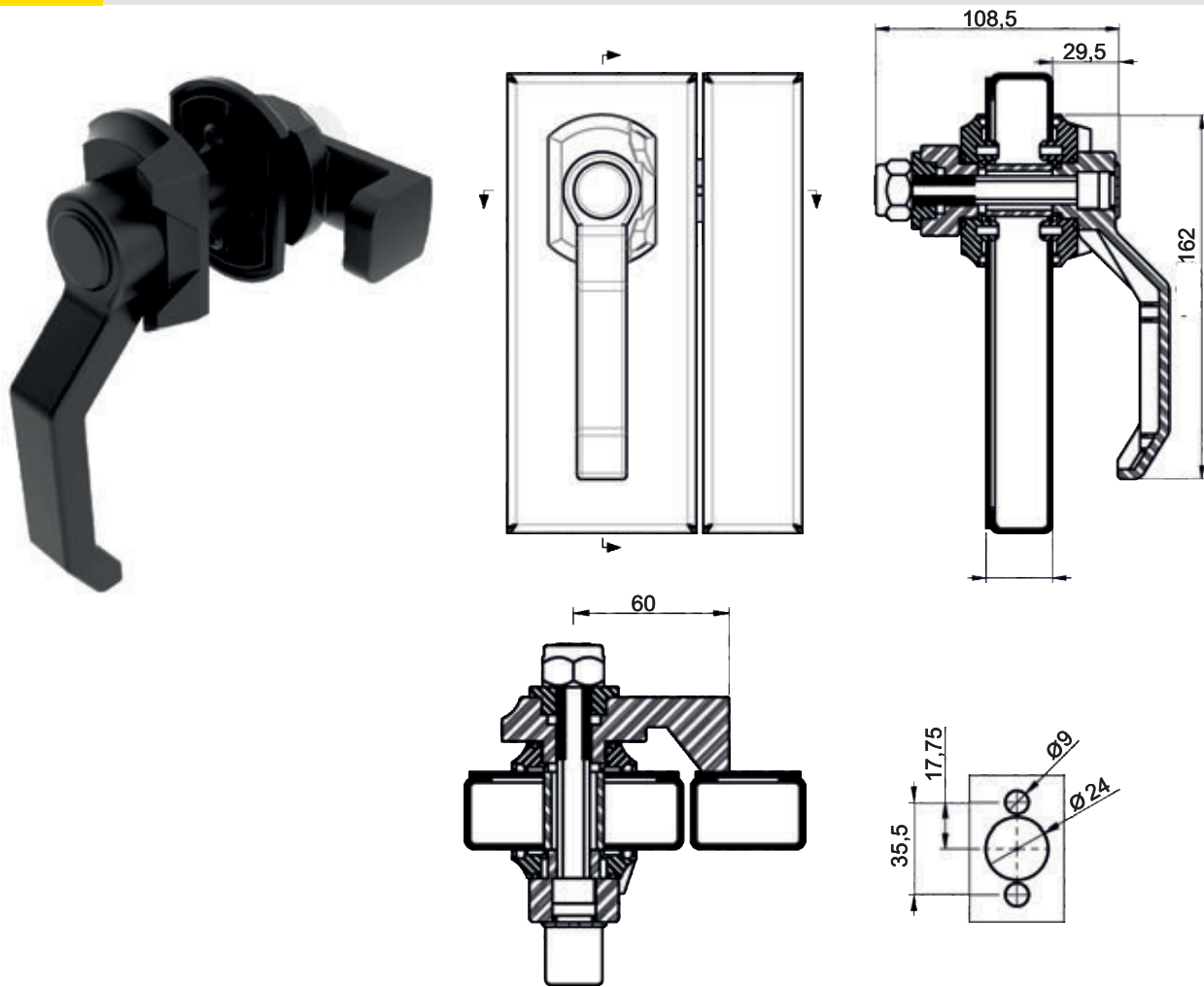


Mounting holes



	COMPONENTS	MATERIAL
1	Blinder cap	Polyamide P6GF30
2	Screw	ZnAl
3	Handle	Polyamide P6GF30
4	Bezel	
5	Bushing	
6	Cam	
7	Washer	Steel zinc plated
8	Nut	

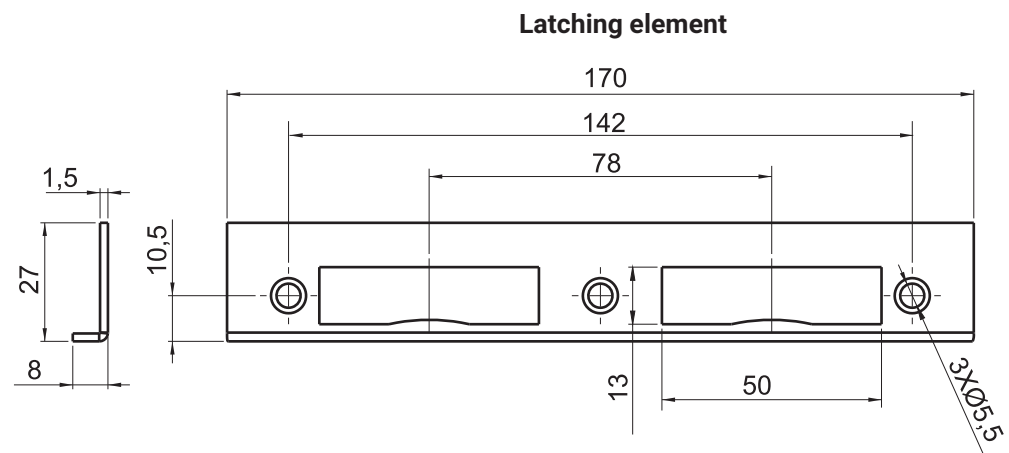
CATALOGUE NUMBER	MAX. DOOR THICKNESS A [mm]	FINISH [C]
		RAL 9005
4.106.101	25	07
4.106.102	40	
4.106.103	50	



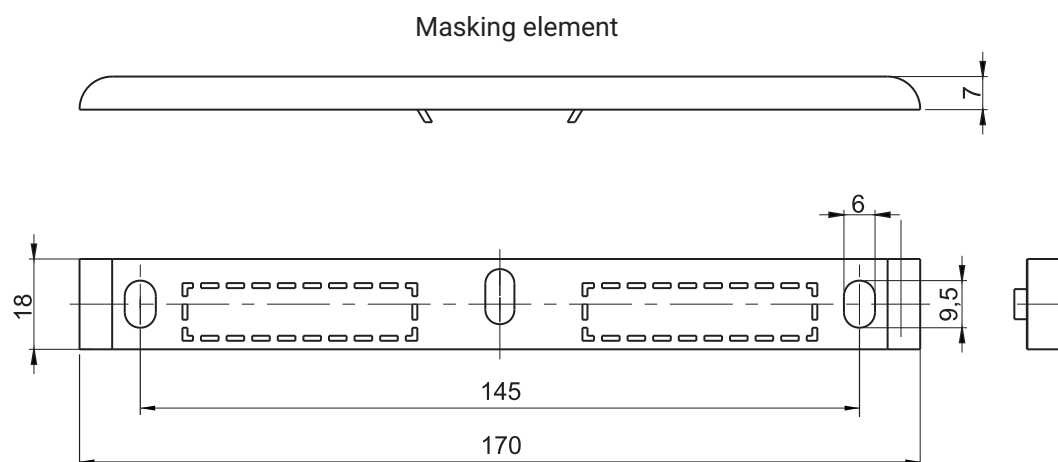
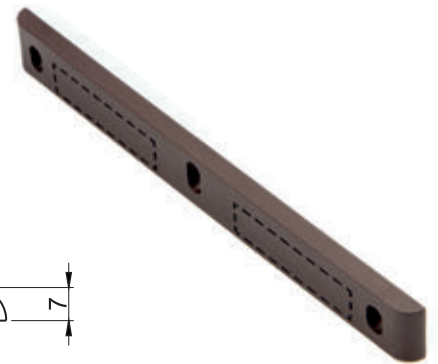
No	COMPONENTS	MATERIAL
1	Blinder cap	Polyamide P6GF30
2	Screw	Steel zinc plated
3	Handle	Polyamide P6GF30
4	Bezel	
5	Bushing	
6	Bezel	
7	Cam	
8	Washer	Steel zinc plated
9	Nut	

A Thickness door	180° Sign	90° turn Right	90° turn Left	FINISH [C]
				RAL 9005
25 mm	4.106.001	4.106.004	4.106.007	07
40 mm	4.106.002	4.106.005	4.106.008	
50 mm	4.106.003	4.106.006	4.106.009	

Left and right version on request. Delivery time 4-6 weeks.

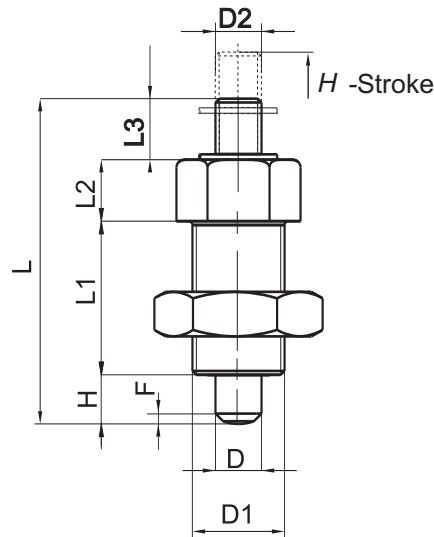


CAT. NUMBER	MATERIAL
4.471.001	Steel zinc plated



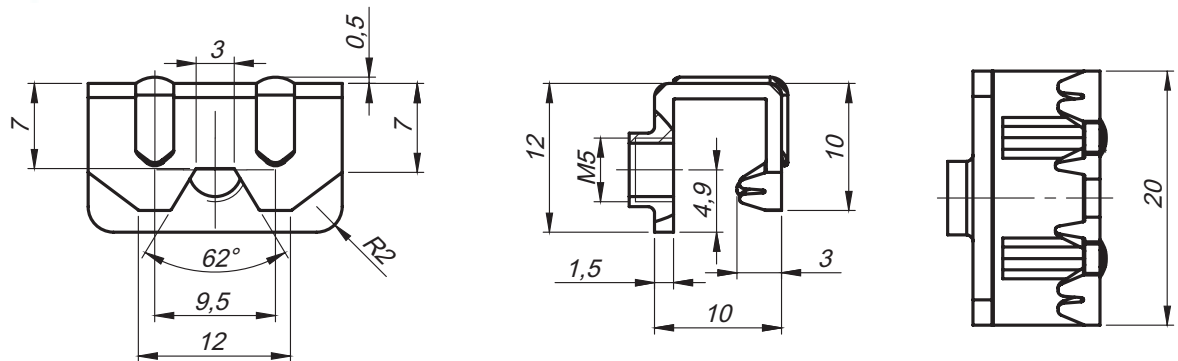
CAT. NUMBER	MATERIAL
4.472.001	Polipropylen - PP color - brown

Fixing pivot 4.427.001, 4.427.002



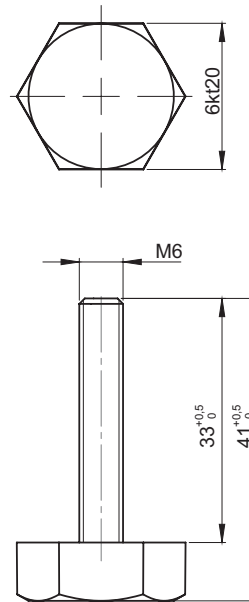
	D1	D2	D	L	L1	L2	L3	H	F
4.427.001	M12 x 1,5	M6	ø6	42	20	8	8	6	1 x 45°
4.427.002	M10 x 1	M4	ø5	37	17	7	7	5,6	0,7 x 45°

CAT. NUMBER	COMPONENTS	MATERIAL
4.427.001	Nut	Steel - oxidized
4.427.002	Housing	
	Pin	
	Cir clip	

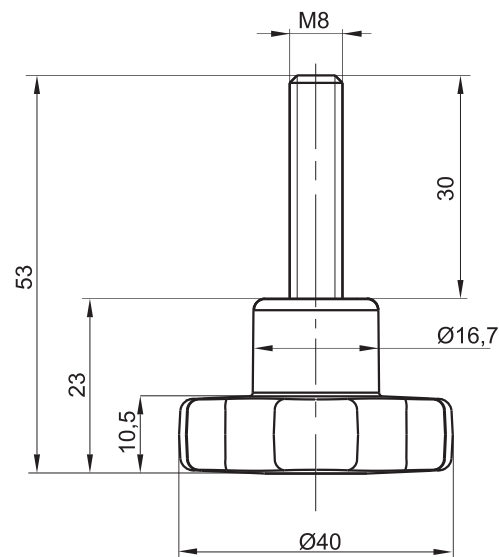


Complete clamp has a screw M5x8

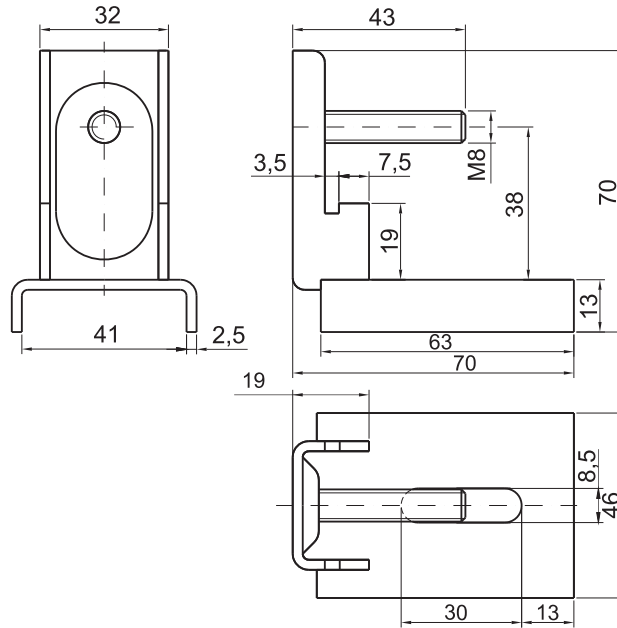
CAT. NUMBER	MATERIAL
4.426.001	Steel zinc plated



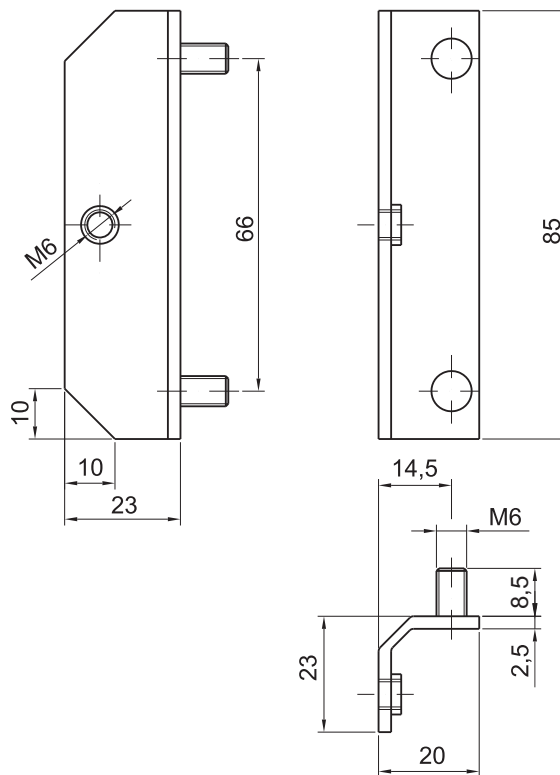
CAT. NUMBER	COMPONENTS	MATERIAL	FINISH [C]
			RAL 9005
4.404.001	Knob	Polyamide PA6	07
	Screw	Steel zinc plated	



CAT. NUMBER	COMPONENTS	MATERIAL	FINISH [C]
			RAL 9005
4.428.001	Handle	Polyamide PA6 GF30	07
	Screw	Steel - oxidizing	



CAT. NUMBER	NAME	MATERIAL
4.412.001	Masking plate bracket	Steel zinc plated



CAT. NUMBER	NAME	MATERIAL
4.413.001	Holder	Steel zinc plated

X-ON Electronics

Largest Supplier of Electrical and Electronic Components

Click to view similar products for [Hand Tools](#) category:

Click to view products by [Roztocze](#) manufacturer:

Other Similar products are found below :

[58284-1](#) [662908-1](#) [68764-0001](#) [690619-6](#) [D20419-189](#) [7-354778-7](#) [768531-1](#) [821903-5](#) [822253-1](#) [854183-1](#) [854358-1](#) [992258-1](#) [1-21046-3](#)
[1-22278-0](#) [1-22278-2](#) [1-24954-2](#) [125529-5](#) [126513-1](#) [1-305579-8](#) [1320846-1](#) [1338618-1](#) [1338968-2](#) [1-354779-0](#) [1-354779-2](#) [1-354779-4](#)
[1424443-1](#) [1424289-1](#) [1424444-1](#) [MS24256A16](#) [1-525442-0](#) [1532195-2](#) [1538773-2](#) [1-59681-8](#) [1-59907-5](#) [1-692134-3](#) [1725760-1](#) [HT-](#)
[920A-124-HTELE-RPL-KIT](#) [1976923-1](#) [1976969-1](#) [2063794-1](#) [2063795-1](#) [2-21002-1](#) [2-21002-3](#) [2-21002-4](#) [2-21002-7](#) [2-21002-9](#) [2-21004-](#)
[0](#) [229399-2](#) [229707-1](#) [911737-2](#)