

1

Locking
systems

2

Locks
Latches

3

Hinges

4

Clamps

5

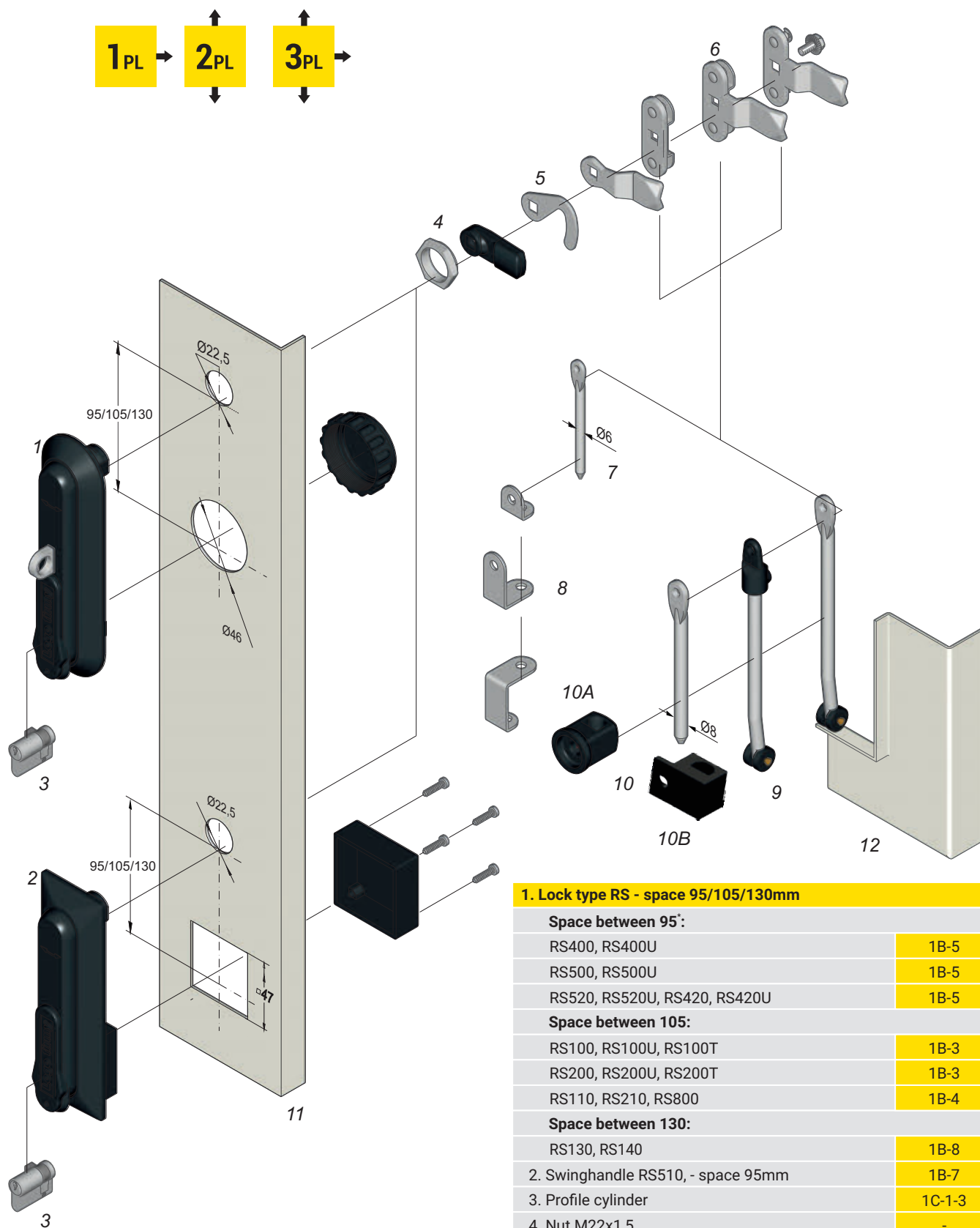
Accessories

6

Gasketing
profiles

7

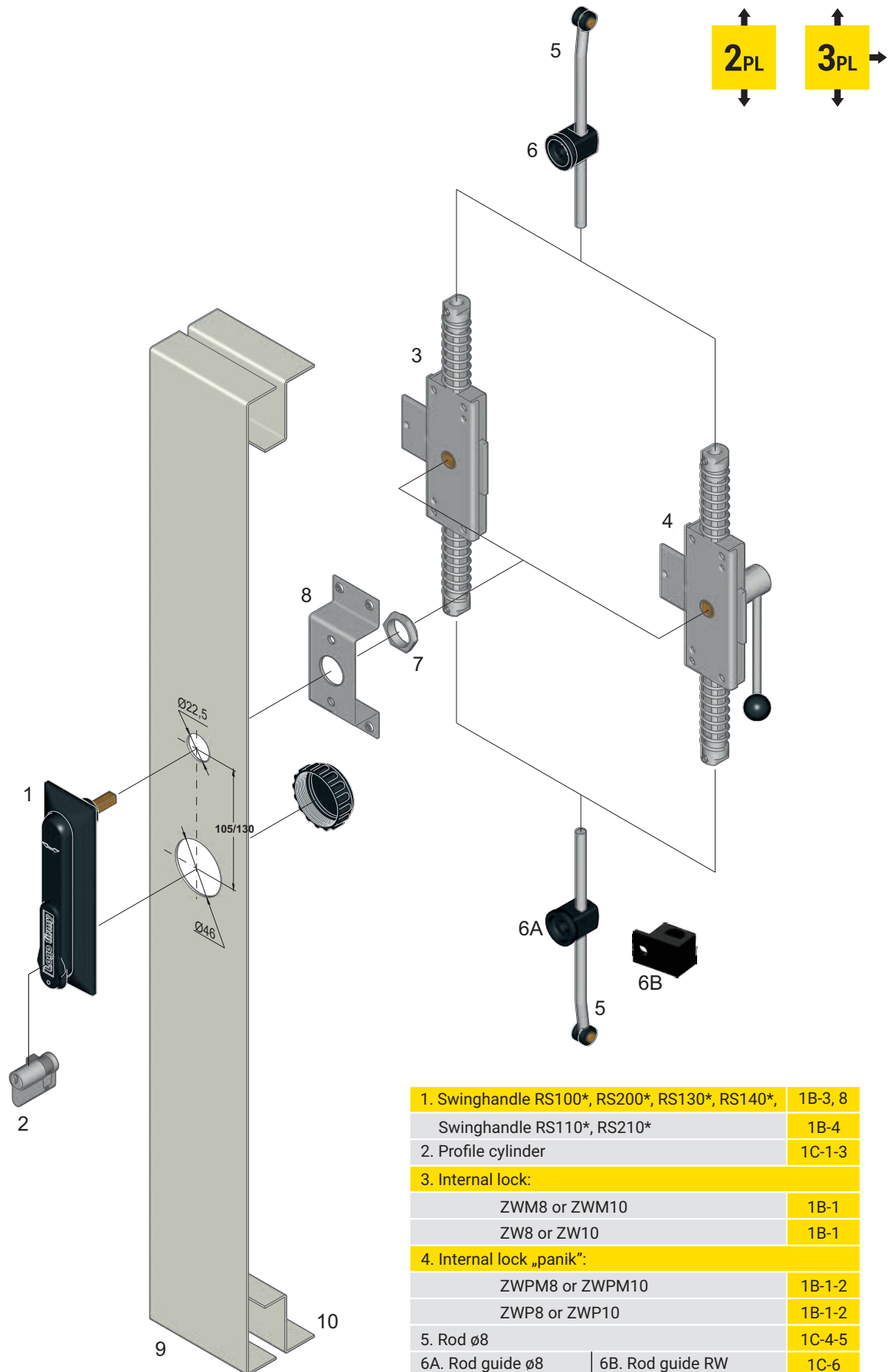
Custom
products



1. Lock type RS - space 95/105/130mm

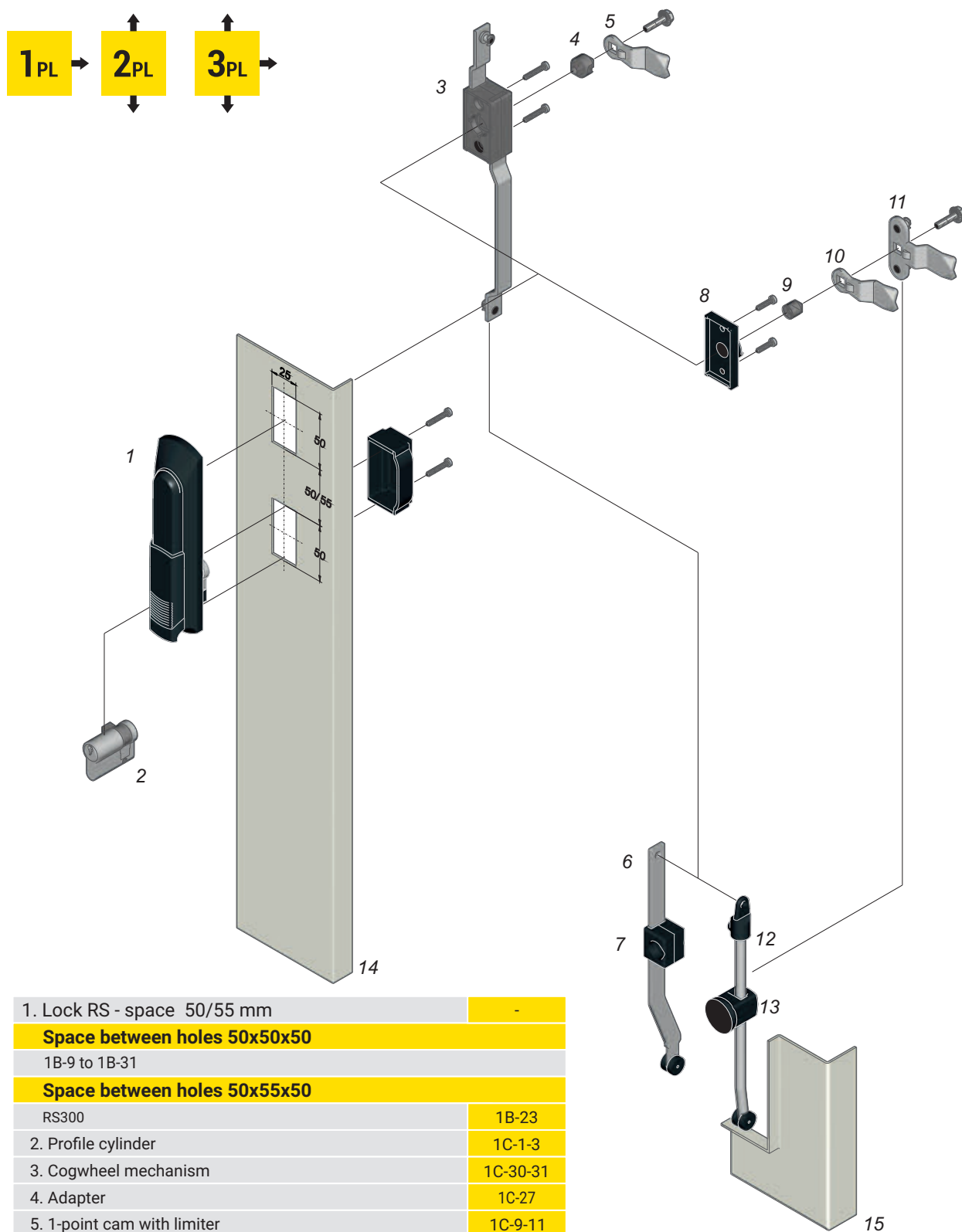
Space between 95':		
RS400, RS400U	1B-5	
RS500, RS500U	1B-5	
RS520, RS520U, RS420, RS420U	1B-5	
Space between 105:		
RS100, RS100U, RS100T	1B-3	
RS200, RS200U, RS200T	1B-3	
RS110, RS210, RS800	1B-4	
Space between 130:		
RS130, RS140	1B-8	
2. Swinghandle RS510, - space 95mm	1B-7	
3. Profile cylinder	1C-1-3	
4. Nut M22x1,5	-	
5. 1-point cam without limiter	1C-12-13	
6. 2-points, 3-points cam without limiter	1C-15, 19	
7. Rod Ø6	1C-4	
8. Rod guide Ø6	1C-6	
9. Rod Ø8	1C-4-5	
10A. Rod guide Ø8	10B. Rod guide RW	1C-6-7
11. Door of the box	-	
12. Edge of the box	-	

Locking system with space between holes 105/130 internal locks

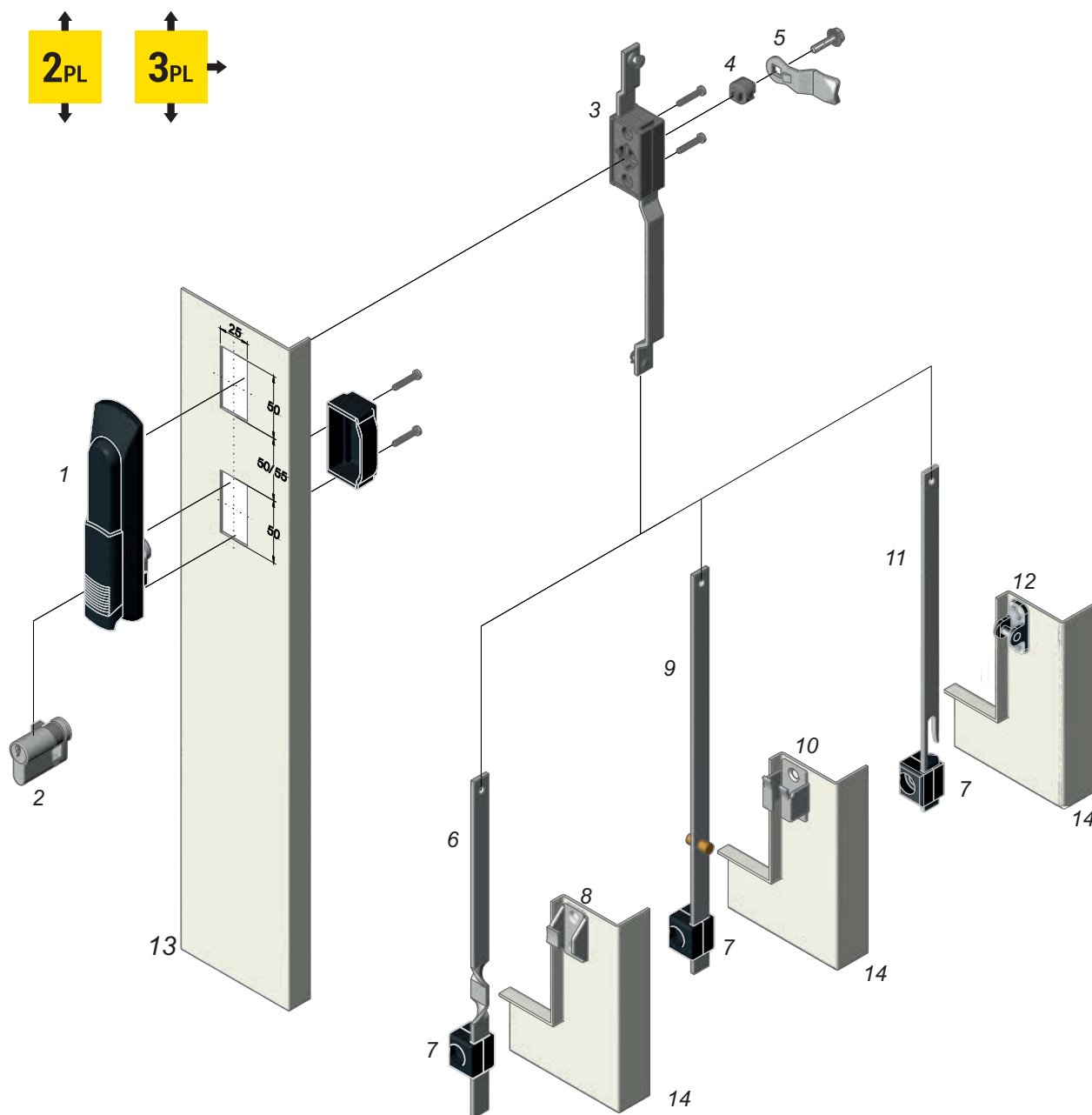


1. Swinghandle RS100*, RS200*, RS130*, RS140*,	1B-3, 8
Swinghandle RS110*, RS210*	1B-4
2. Profile cylinder	1C-1-3
3. Internal lock:	
ZWM8 or ZWM10	1B-1
ZW8 or ZW10	1B-1
4. Internal lock „panik“:	
ZWPM8 or ZWPM10	1B-1-2
ZWP8 or ZWP10	1B-1-2
5. Rod ø8	1C-4-5
6A. Rod guide ø8	6B. Rod guide RW
	1C-6
7. Nut M22 x 1,5	-
8. Lock support*	-
9. Door of the box	-
10. Edge of the box	-

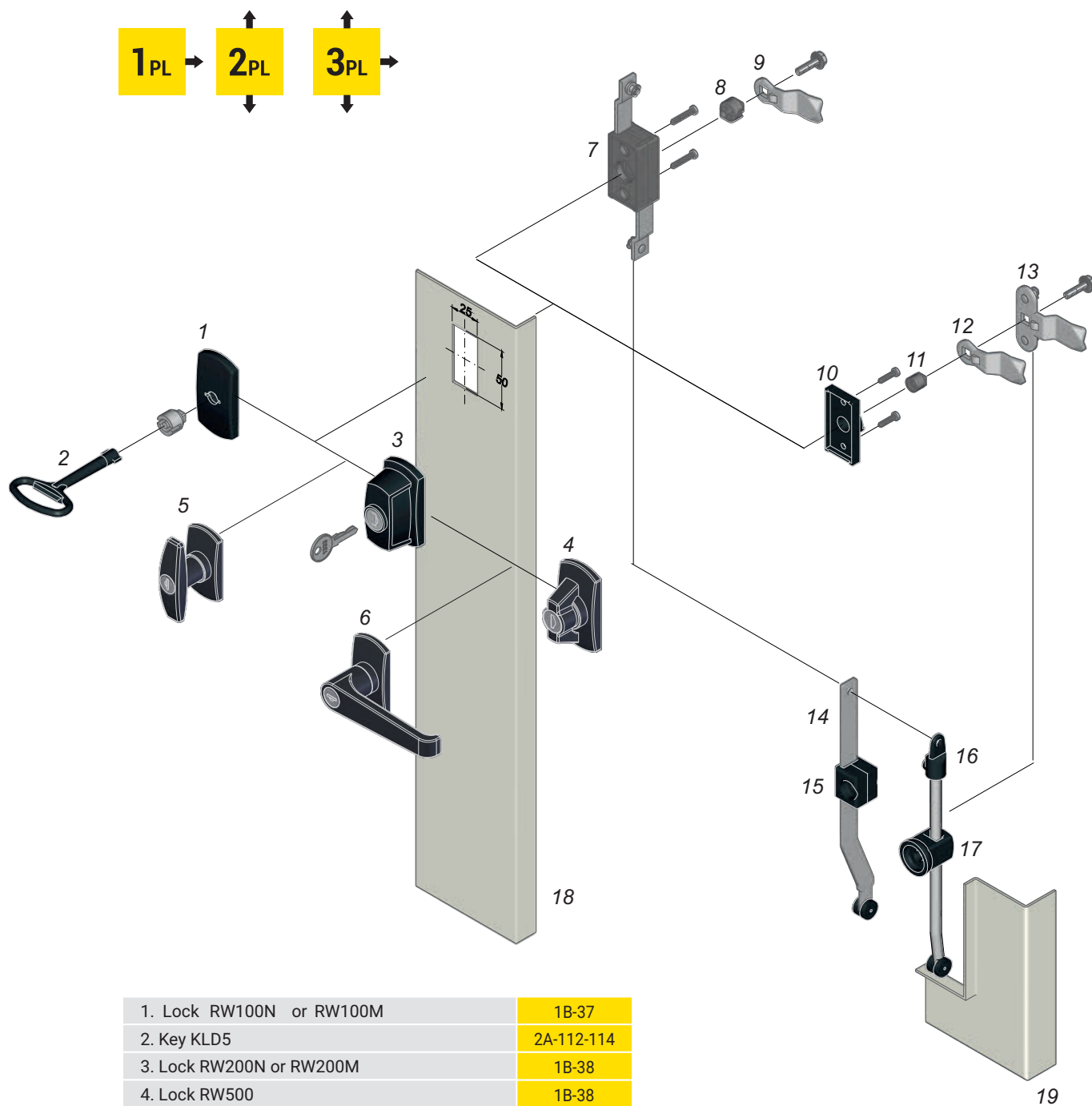
(*) **When you order locks RS100, RS110, RS200, RS210, RS130, RS140 to Internal lock**, you should add letters ZW e.e (RS100ZW, RS200ZW). **When you order locks RS100, RS110, RS200, RS210 to Internal lock panik**, you should add letters ZWP e.g. (RS100ZWP) **Lock support** only on special request.



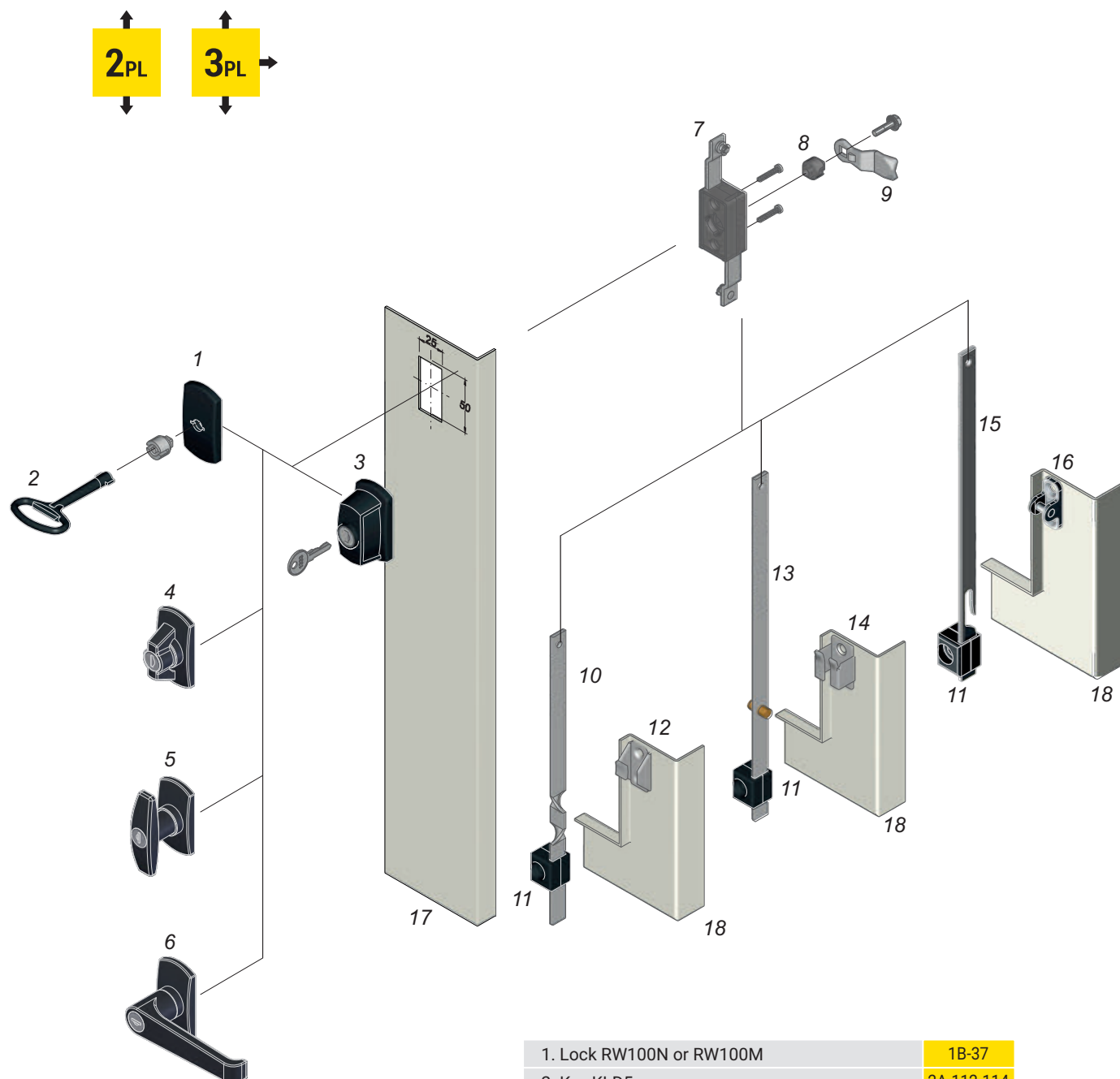
1. Lock RS - space 50/55 mm	-
Space between holes 50x50x50	
1B-9 to 1B-31	
Space between holes 50x55x50	
RS300	1B-23
2. Profile cylinder	1C-1-3
3. Cogwheel mechanism	1C-30-31
4. Adapter	1C-27
5. 1-point cam with limiter	1C-9-11
6. Flat rod with rollers	1C-34
7. Flat rod guide P314	1C-8
8. Cap	1C-27
9. Bushing	1C-27
10. 1-point cam with limiter for cap	1C-10-11
11. 3-point cam with limiter for cap	1C-16-18
12. Rod ø8, rod holder	1C-5
13. Rod guide ø8	1C-6-7
14. Door of the box	-
15. Edge of the box	-



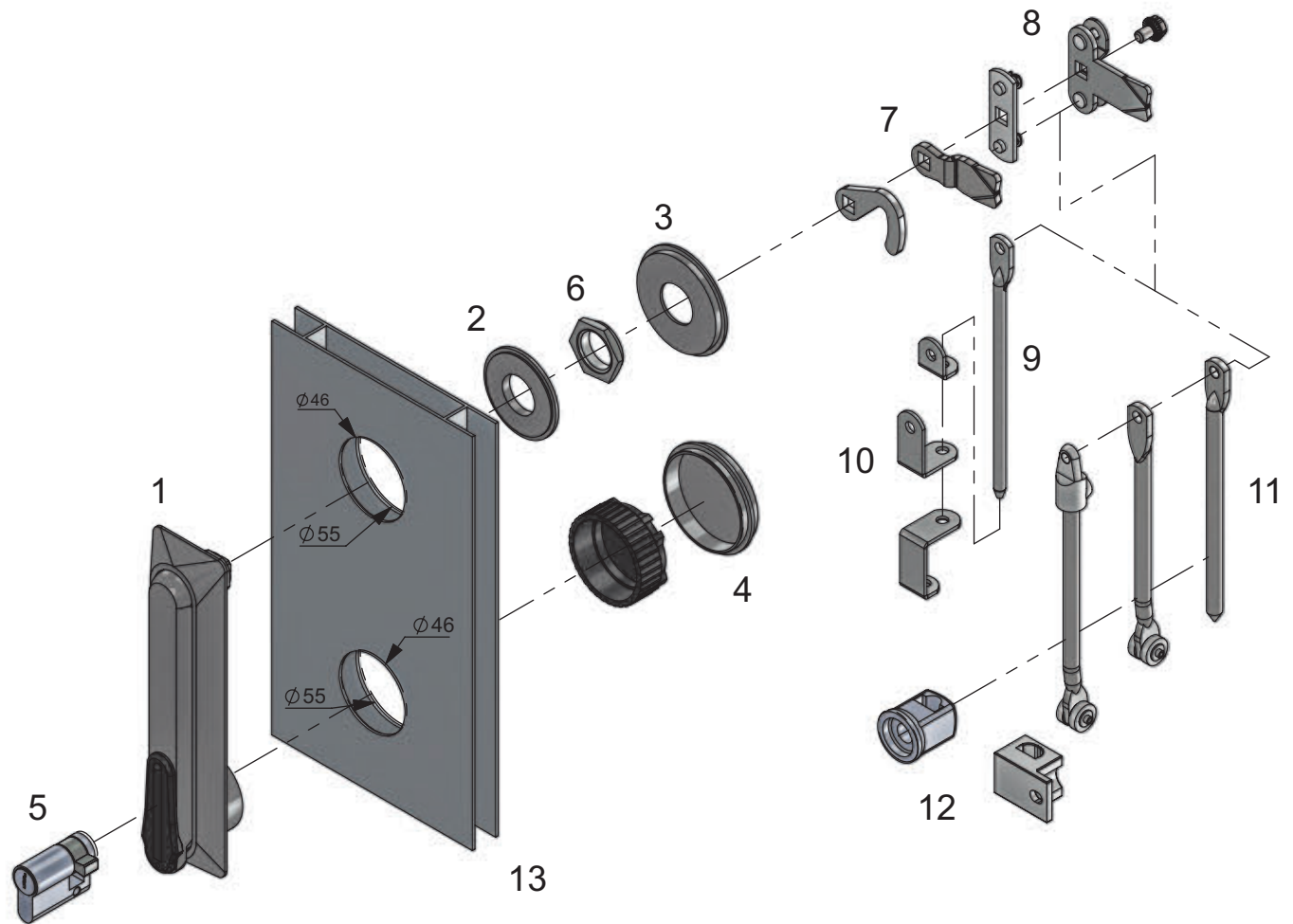
1. Swinghandle RS - space 50/55 mm	-
Space between holes 50x50x50	
1B-9 To 1B-31	
Space between holes 50x55x50	
RS300	1B-23
2. Profile cylinder	1C-3
3. Cogwheel mechanism	1C-30-31
4. Adapter	1C-27
5. 1-point cam with limiter	1C-9-11
6. Flat rod ver. "A", "B", "C"	1C-36
7. Flat rod guide P314	1C-8
8. Catch W314-90	1C-36
9. Flat rod ver. "B"	1C-37
10. Catch W314-80	1C-38
11. Flat rod ver. "C"	1C-39
12. Catch W314-70	1C-39
13. Door of the box	-
14. Edge of the box	-



1. Lock RW100N or RW100M	1B-37
2. Key KLD5	2A-112-114
3. Lock RW200N or RW200M	1B-38
4. Lock RW500	1B-38
5. T-handle lock	1B-40
6. L-handle lock	1B-40
7. Cogwheel mechanism	1C-28
8. Adapter	1C-27
9. 1-point cam with limiter	1C-9-11
10. Cap	1C-27
11. Bushing	1C-27
12. 1-point cam with limiter for cap	1C-10-11
13. 3-point cam with limiter for cap	1C-17-18
14. Flat rod with rollers	1C-34
15. Flat rod guide P314	1C-8
16. Rod ø8, rod holder	1C-5
17. Rod guide ø8	1C-6-7
18. Door of the box	-
19. Edge of the box	



1. Lock RW100N or RW100M	1B-37
2. Key KLD5	2A-112-114
3. Lock RW200N or RW200M	1B-38
4. Lock RW500	1B-38
5. T-handle locking	1B-40
6. L-handle locking	1B-40
7. Cogwheel mechanism	1C-28
8. Adapter	1C-27
9. 1-point cam with limiter	1C-9-11
10. Flat rod ver. "A"	1C-36
11. Flat rod guide P314	1C-8
12. Catch W314-90	1C-36
13. Flat rod ver. "B"	1C-37
14. Catch W314-80	1C-38
15. Flat rod ver. "C"	1C-39
16. Catch W314-70	1C-39
17. Door of the box	-
18. Edge of the box	-

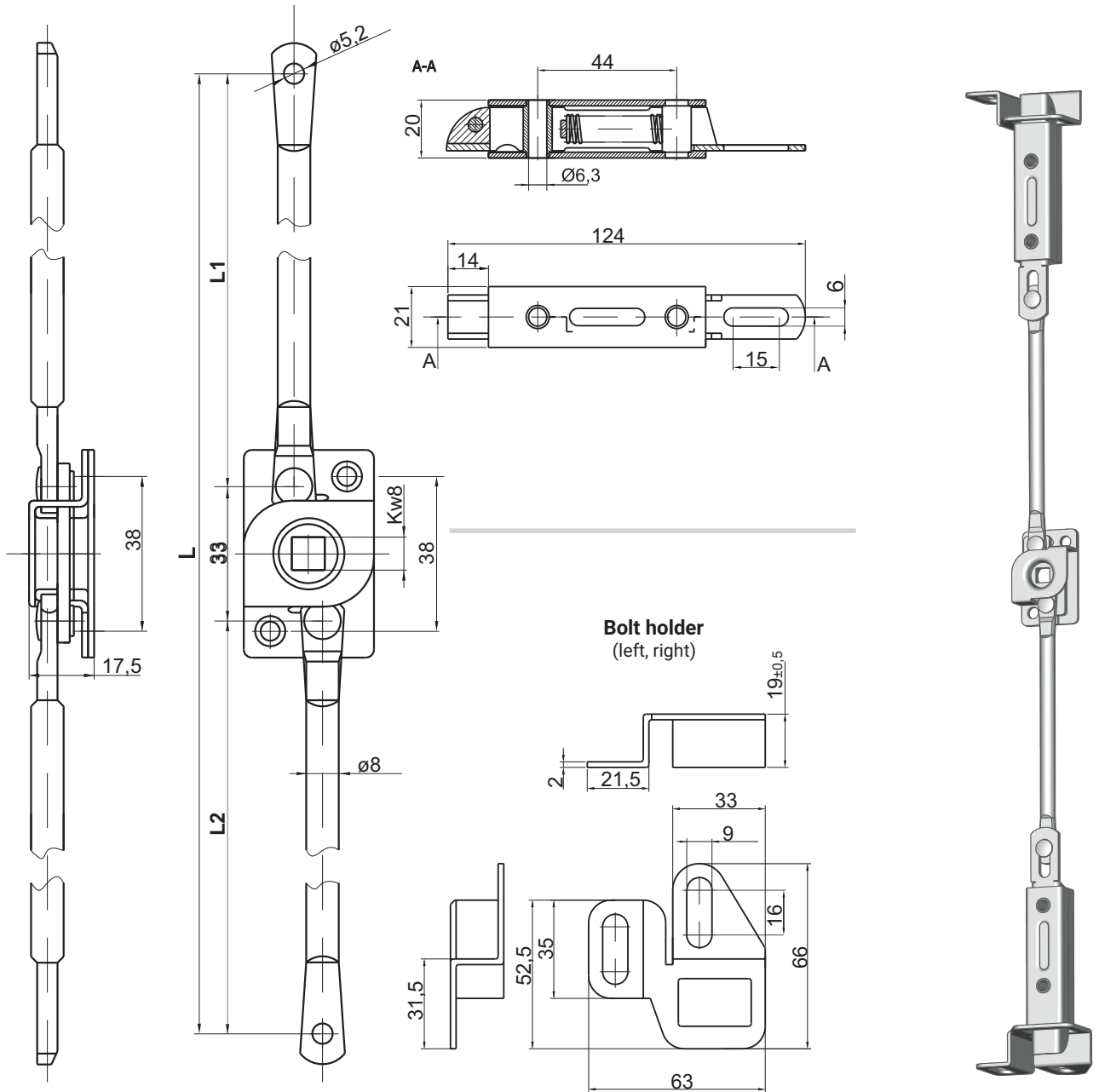


1. Swinghandle RS130, RS140	1B-8
2. Adapter 1C.916.001	1C-43
3. Adapter 1C.916.002	1C-43
4. Adapter 1C.916.003	1C-43
5. Profile	1C-1-3
6. Nut M22x1,5	-
7. Cam 1-point no limiter	1C-12-13
8. Cam 2-point, 3-point no limiter	1C-15-19
9. Rod 6	1C-4
10. Rod guide 6	1C-6
11. Rod 8 1C-3,4	1C-5
12. Rod guide 8 / Rod guide RW	1C-6-7
13. Cabinet door	-

2_{PL}

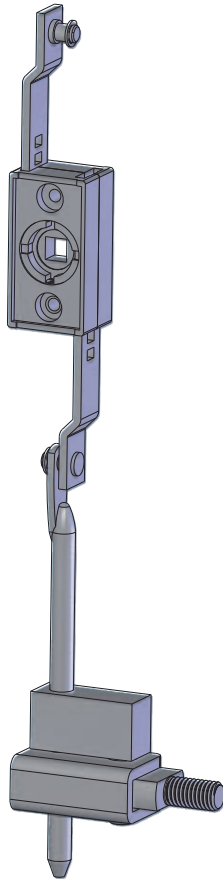
BOLT MECHANISM

BOLT

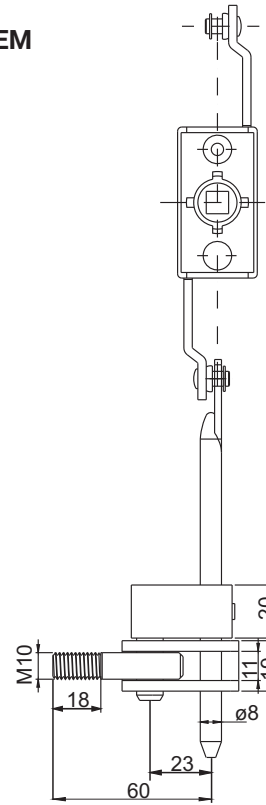


$$L = 33 + L_1 + L_2$$

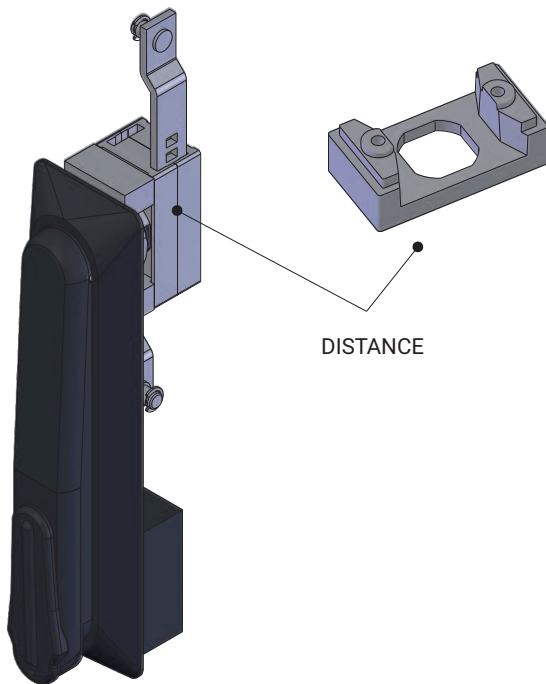
CAT. NUMBER	NAME	MATERIAL
1A.001.001	Bolt mechanism	Steel zinc plated
1A.001.001SN	Bolt mechanism	Stainless steel
1A.002.001	Bolt	Steel zinc plated
1A.002.001SN	Bolt	Stainless steel
1A.003.001	Bolt holder right	Stainless steel
1A.003.002	Bolt holder left	Stainless steel



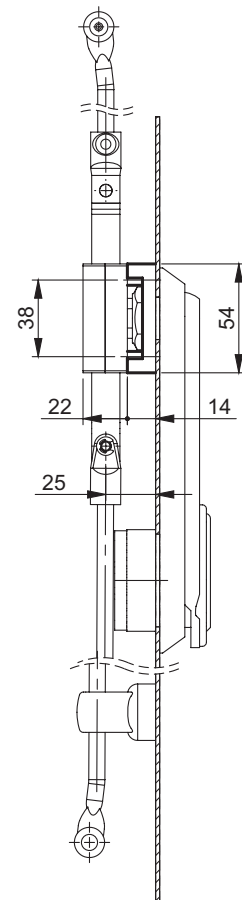
ROD STRENGHTENING SYSTEM



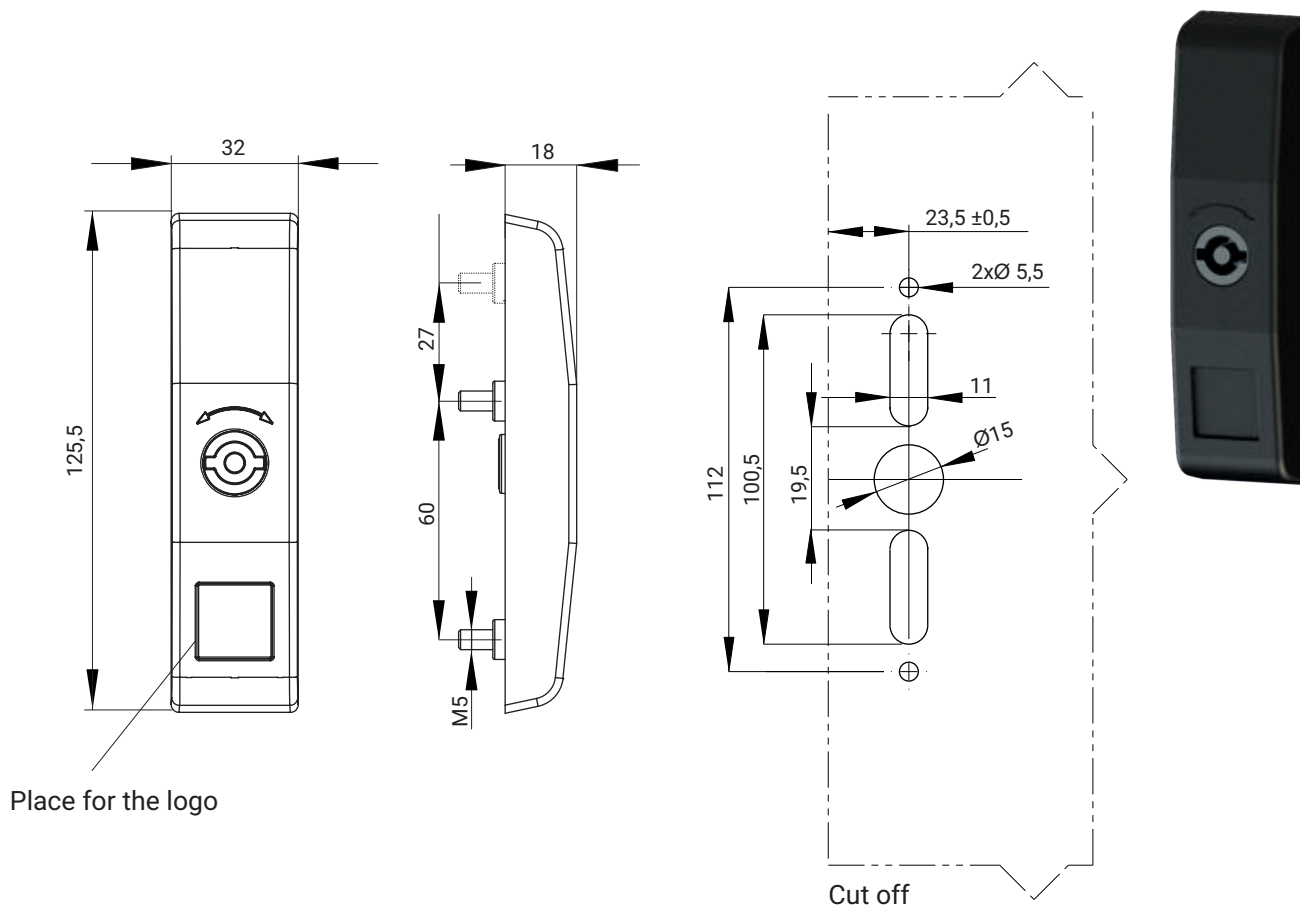
COGWHEEL MECHANISM DISTANCE



DISTANCE



CAT. NUMBER	NAME	MATERIAL
1C.911.001	Rod strenghtening system	Steel zinc plated
1C.910.001	Cogwheel mechanism distance	ZAMAK
* system cooperates with cogwheel mechanism MZ (pg 1C-28, 1C-30, 1C-32, 1C-33)		

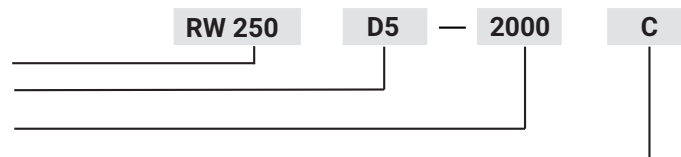


LOCK TYPE	COMPONENTS	MATERIAL	FINISH [C]	
RW 250	Housing	ABS	RAL 9005	RAL 7035
	Flat rods	Steel	04	05

Inserts				
D3	D5	T9	KW 8	S

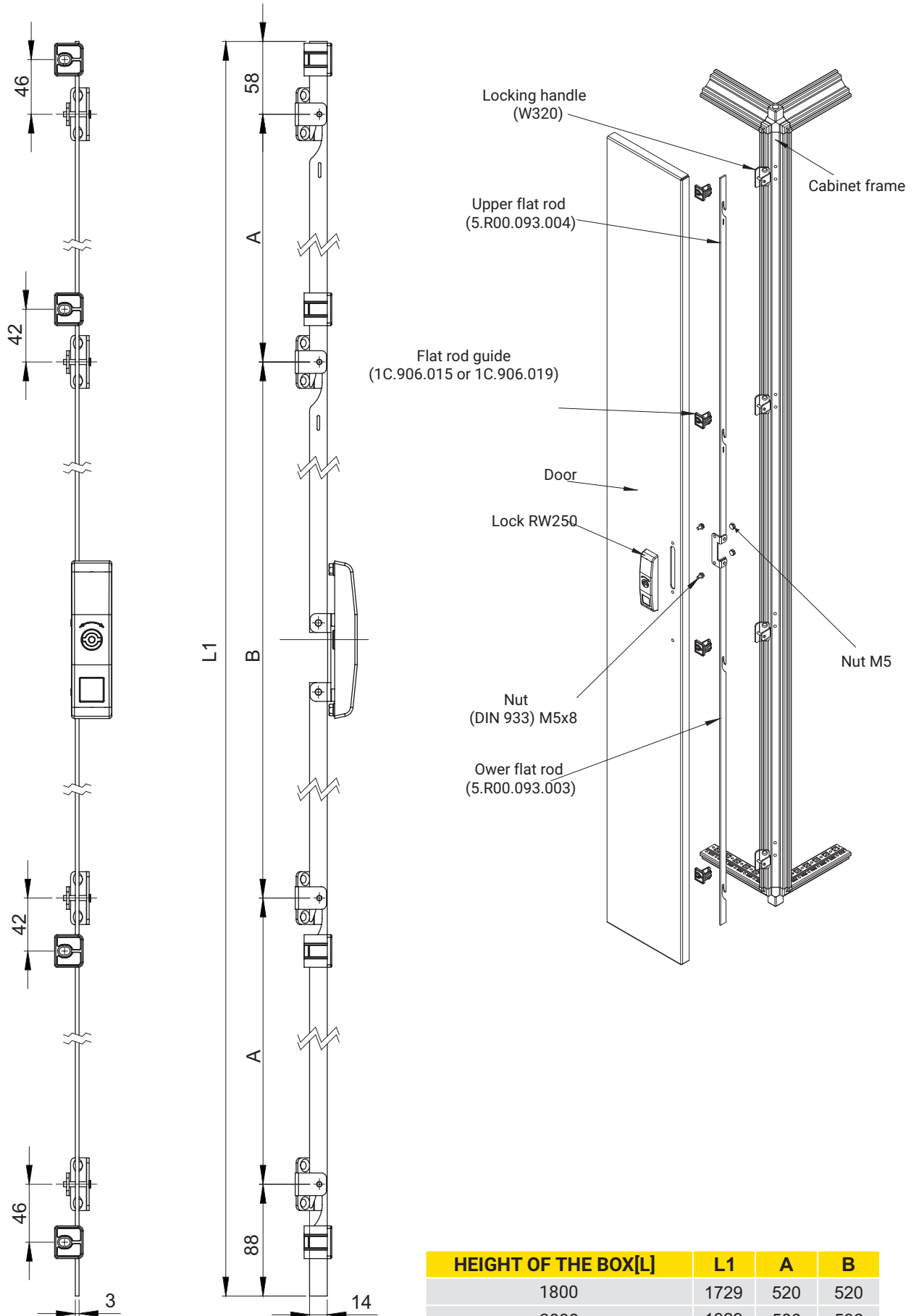
How to order :

- Type of lock
- Type of insert
- Height cabinet
- Finish

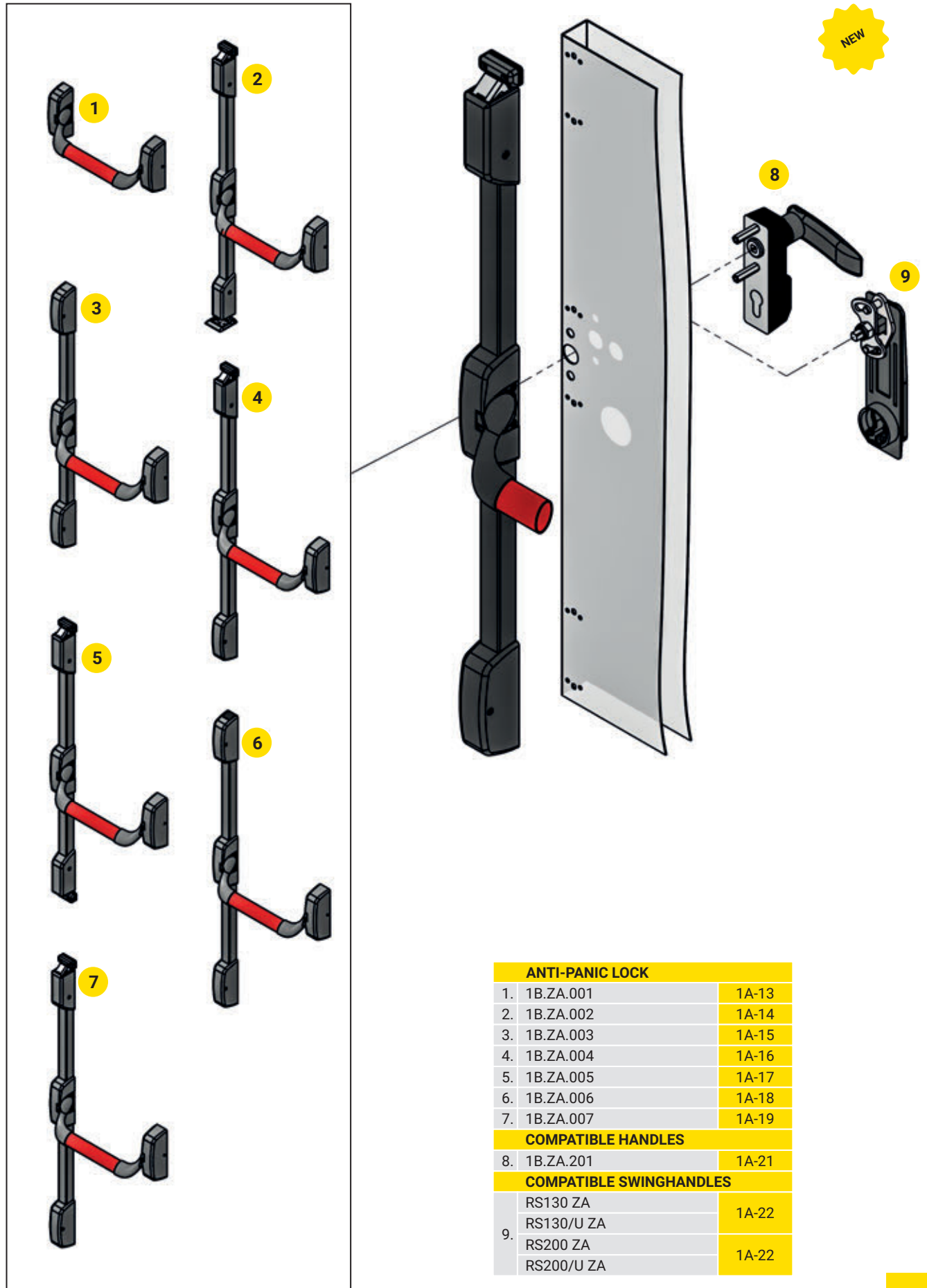


NOTE:

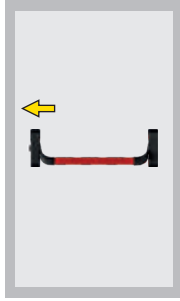
1. Lock RW 250 suitable to use outside the sealing zone
2. Locking system for door about max. thickness 2 mm
3. Type of locking system: left or right.
4. System components sold together or separately



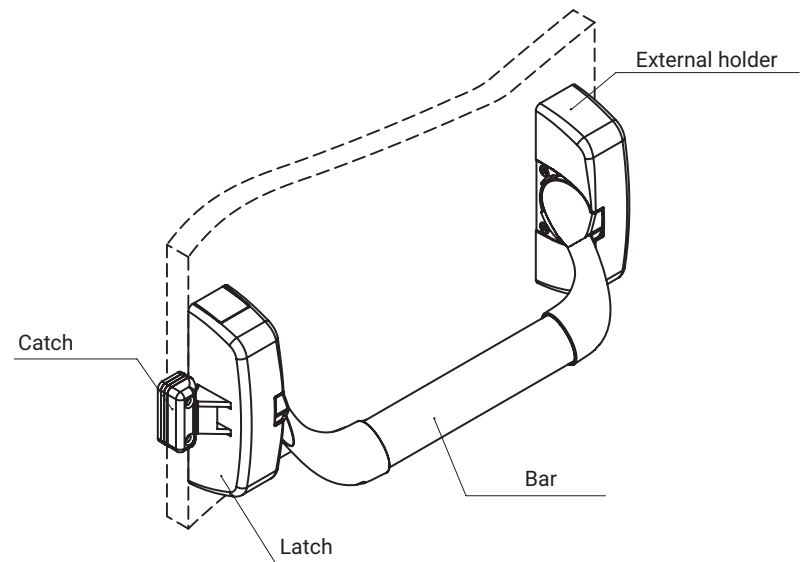
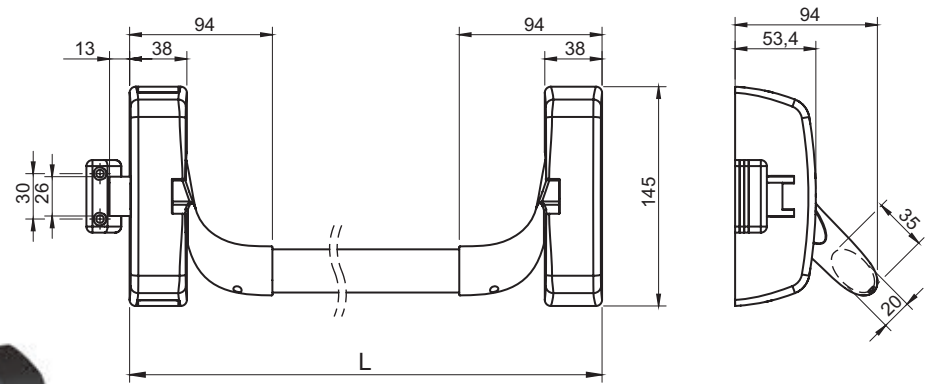
HEIGHT OF THE BOX[L]	L1	A	B
1800	1729	520	520
2000	1929	586	586



ANTI-PANIC LOCK		
1.	1B.ZA.001	1A-13
2.	1B.ZA.002	1A-14
3.	1B.ZA.003	1A-15
4.	1B.ZA.004	1A-16
5.	1B.ZA.005	1A-17
6.	1B.ZA.006	1A-18
7.	1B.ZA.007	1A-19
COMPATIBLE HANDLES		
8.	1B.ZA.201	1A-21
COMPATIBLE SWINGHANDLES		
9.	RS130 ZA	1A-22
	RS130/U ZA	
	RS200 ZA	1A-22
	RS200/U ZA	



Anti-panic lock SINGLE-POINT HORIZONTAL LATCH



- The set includes::
- horizontal latch
 - external holder,
 - horizontal bar (state size L at order)
 - catch with a set of spacers

- Accessories to be ordered separately:
- external holder 1B.ZA.100,

Housings of lock and external holder, horizontal bar are made of ZAMAK
internal lock mechanism - galvanized steel ; bar, catch - powder-coated steel

CATALOGUE NUMBER	COMPONENTS	FINISH [C]		
		RAL 9005	RAL 7035	RAL 3020
1B.ZA.001	Horizontal latch			
	External holder	04	05	-
	Catch			
	Horizontal bar	04	05	12

How to order:

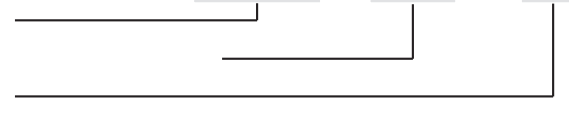
Catalogue number

Finish for a horizontal latch, external holder and a catch

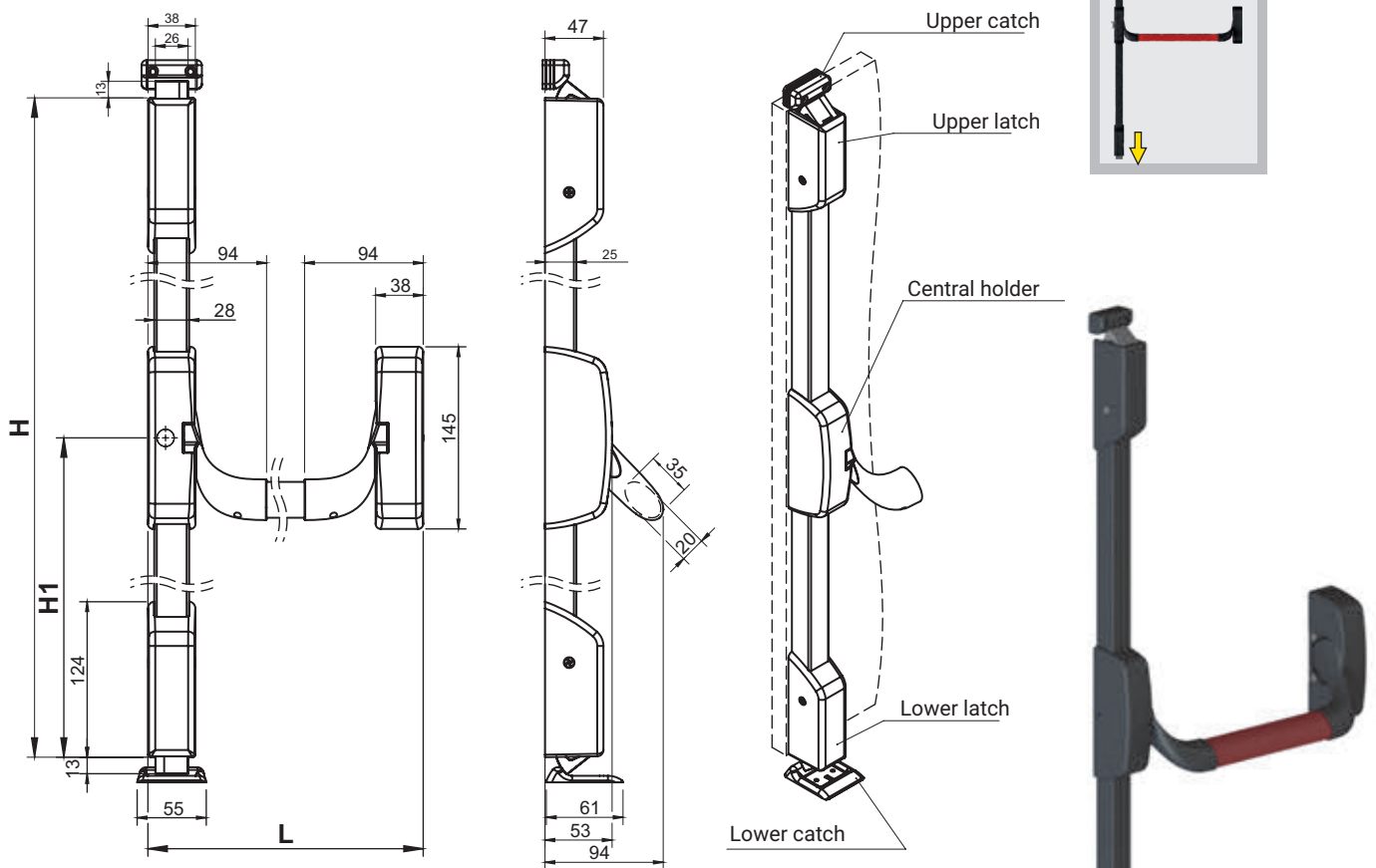
Closure width

Finish for a horizontal bar

1B.ZA.001 — C — L. C



Anti-panic lock DOUBLE-POINT VERTICAL LATCH (top / bottom)



The set includes::

- central holder,
- vertical upper latch,
- vertical lower latch,
- horizontal bar (state size L at order),
- upper and lower rod (state dimension of H and H1 at order),
- upper catch with a set of spacers,
- lower catch,

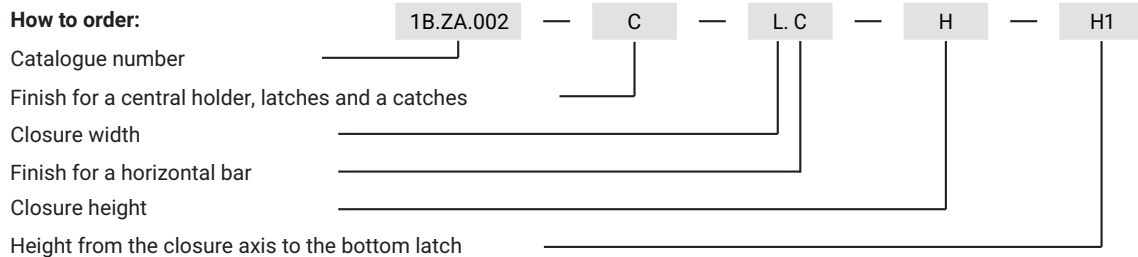
Accessories to be ordered separately:

- external holder 1B.ZA.100,

Housings of locks and catches, horizontal bar are made of ZAMAK;
internal lock mechanism, rod - galvanized steel; bar, catch - powder-coated steel

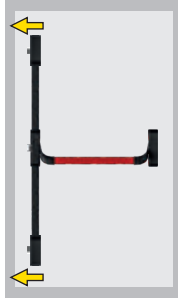
CATALOGUE NUMBER	COMPONENTS	FINISH [C]		
		RAL 9005	RAL 7035	RAL 3020
1B.ZA.002	Central holder			
	Vertical latch	04	05	-
	Catch			
	Horizontal bar	04	05	12

How to order:

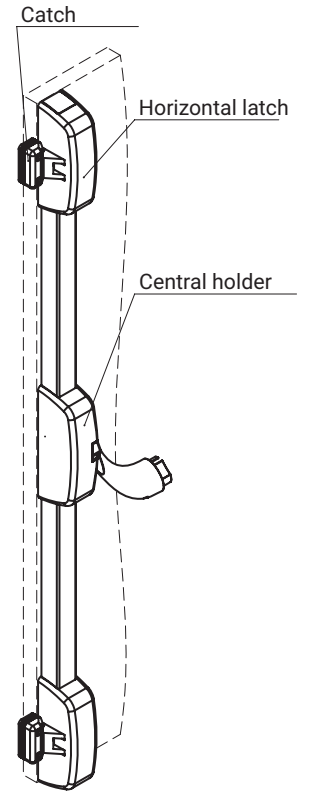
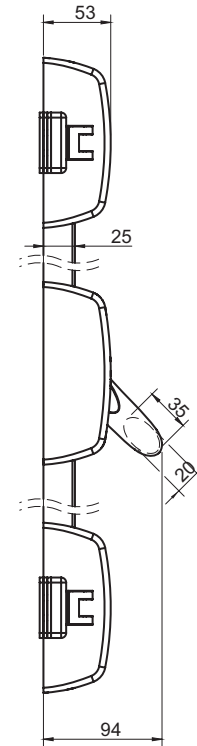
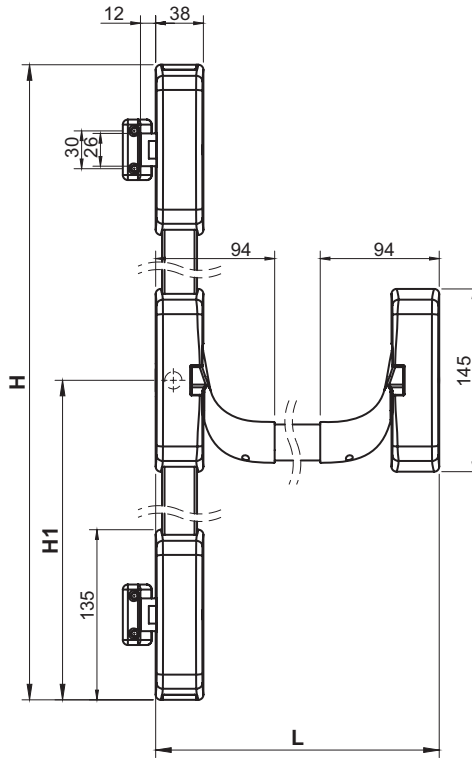


www.roztocze.eu

Locking systems |



Anti-panic lock
DOUBLE-POINT VERTICAL LATCH (top / bottom)

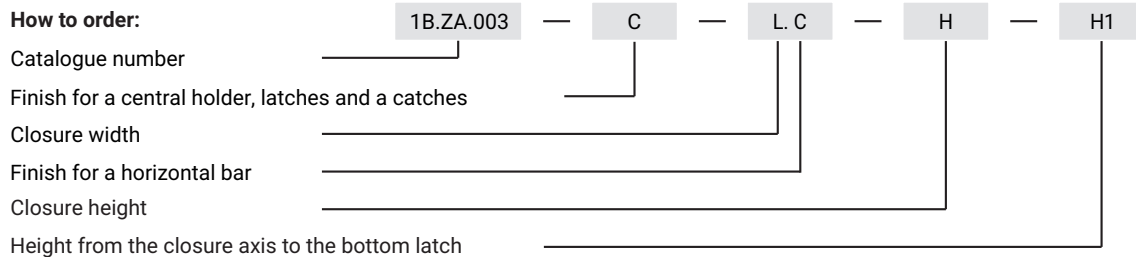


- The set includes:
- central holder,
 - horizontal latch (x2),
 - horizontal bar (state size L at order),
 - upper and lower rod (state dimension of H and H1 at order),
 - upper catch with a set of spacers (x2),

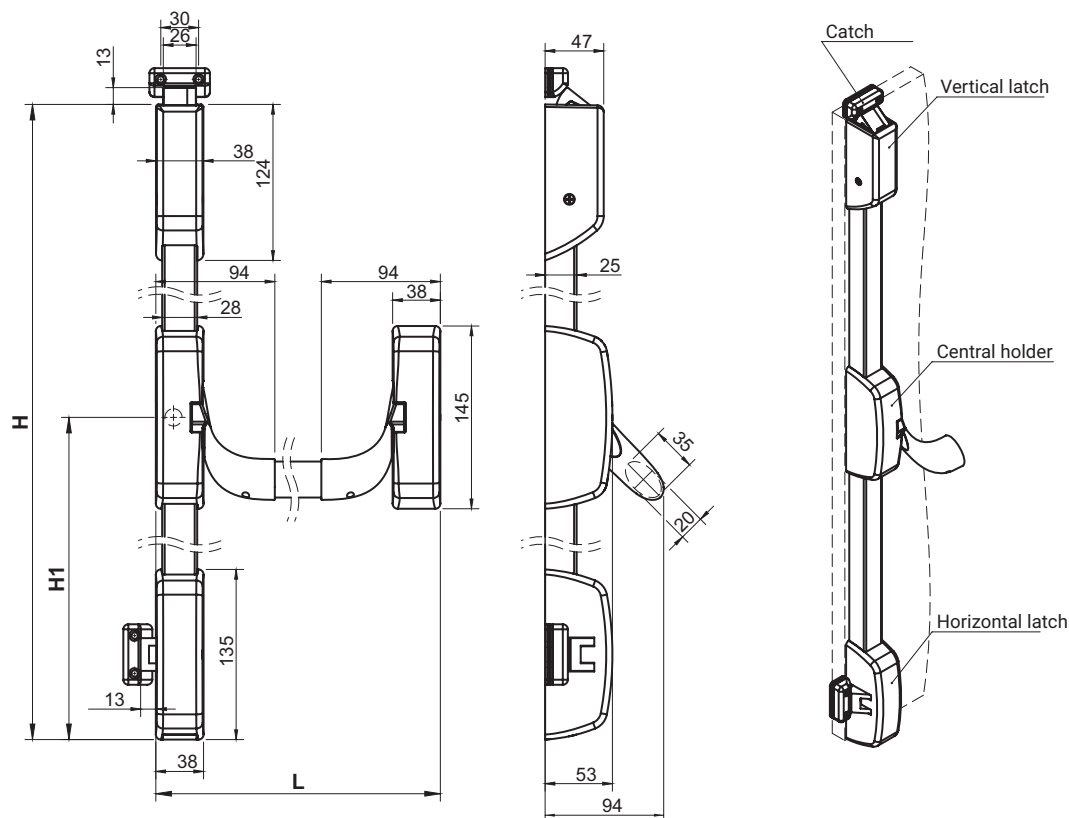
- Accessories to be ordered separately:
- external holder 1B.ZA.100

Housings of locks and catches, horizontal bar are made of ZAMAK;
internal lock mechanism, rod - galvanized steel; bar, catch - powder-coated steel

CATALOGUE NUMBER	COMPONENTS	FINISH [C]		
		RAL 9005	RAL 7035	RAL 3020
1B.ZA.003	Central holder			
	Vertical latch	04	05	-
	Catch			
	Horizontal bar	04	05	12



Anti-panic lock DOUBLE-POINT VERTICAL AND HORIZONTAL LATCH (top / side)



The set includes:

- central holder,
- vertical latch,
- horizontal latch,
- horizontal bar (state size L at order),
- upper and lower rod (state dimension of H and H1 at order),
- catch with a set of spacers (x2)

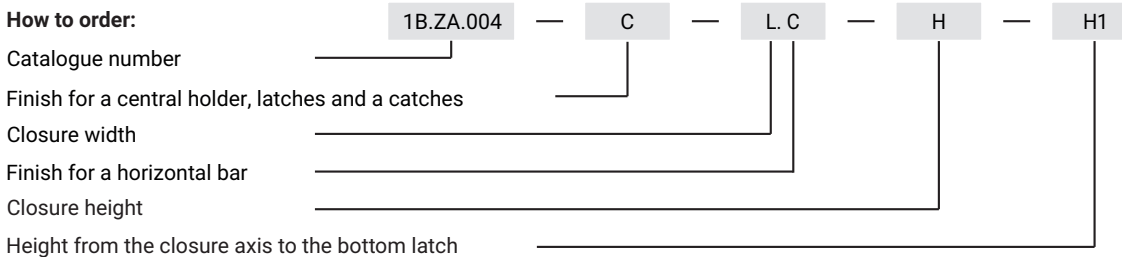
Accessories to be ordered separately:

- external holder 1B.ZA.100

Housings of locks and catches, horizontal bar are made of ZAMAK;
internal lock mechanism, rod - galvanized steel; bar, catch - powder-coated steel

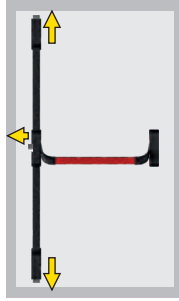
CATALOGUE NUMBER	COMPONENTS	FINISH [C]		
		RAL 9005	RAL 7035	RAL 3020
1B.ZA.004	Central holder			
	Latch	04	05	-
	Catch			
	Horizontal bar	04	05	12

How to order:

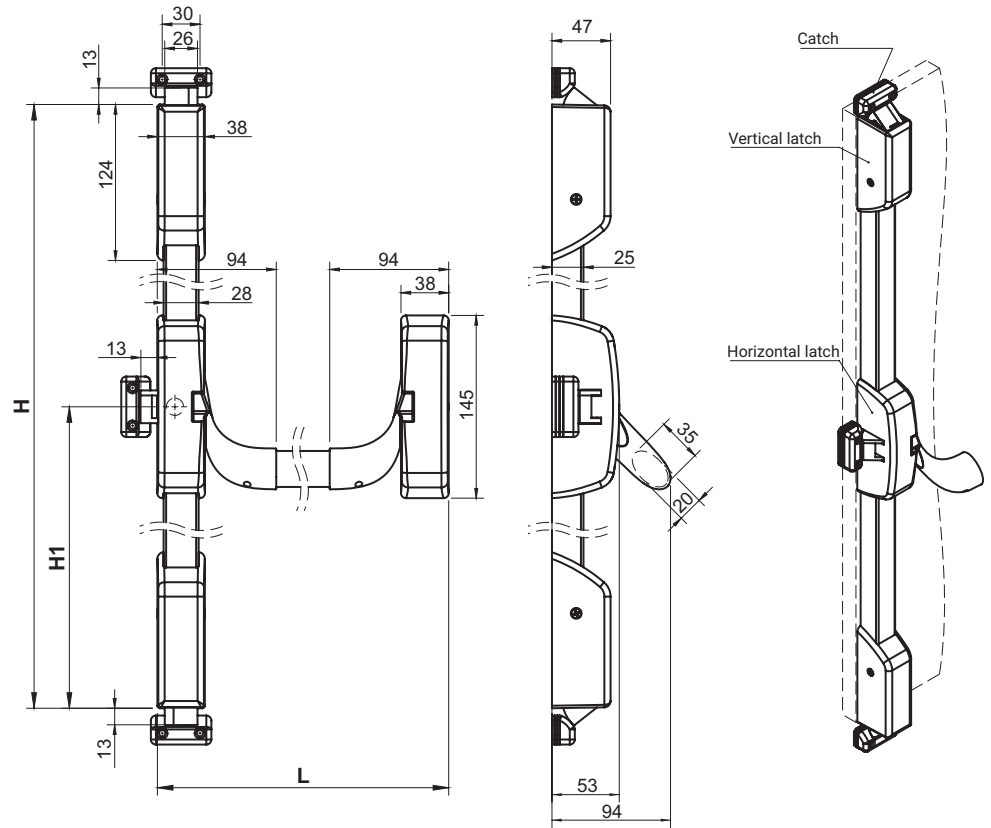


www.roztocze.eu

Locking systems |



Anti-panic lock THREE-POINT LATCH (side / top / bottom)

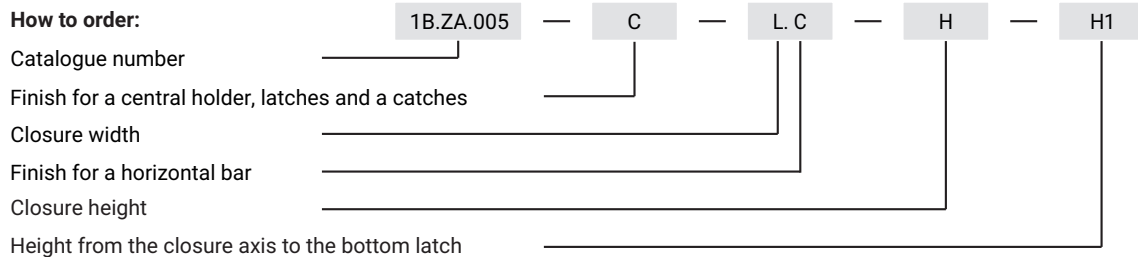


- The set includes:
- central holder,
 - vertical latch (x2),
 - horizontal latch,
 - horizontal bar (state size L at order),
 - upper and lower rod (state dimension of H and H1 at order),
 - catch with a set of spacers (x3)

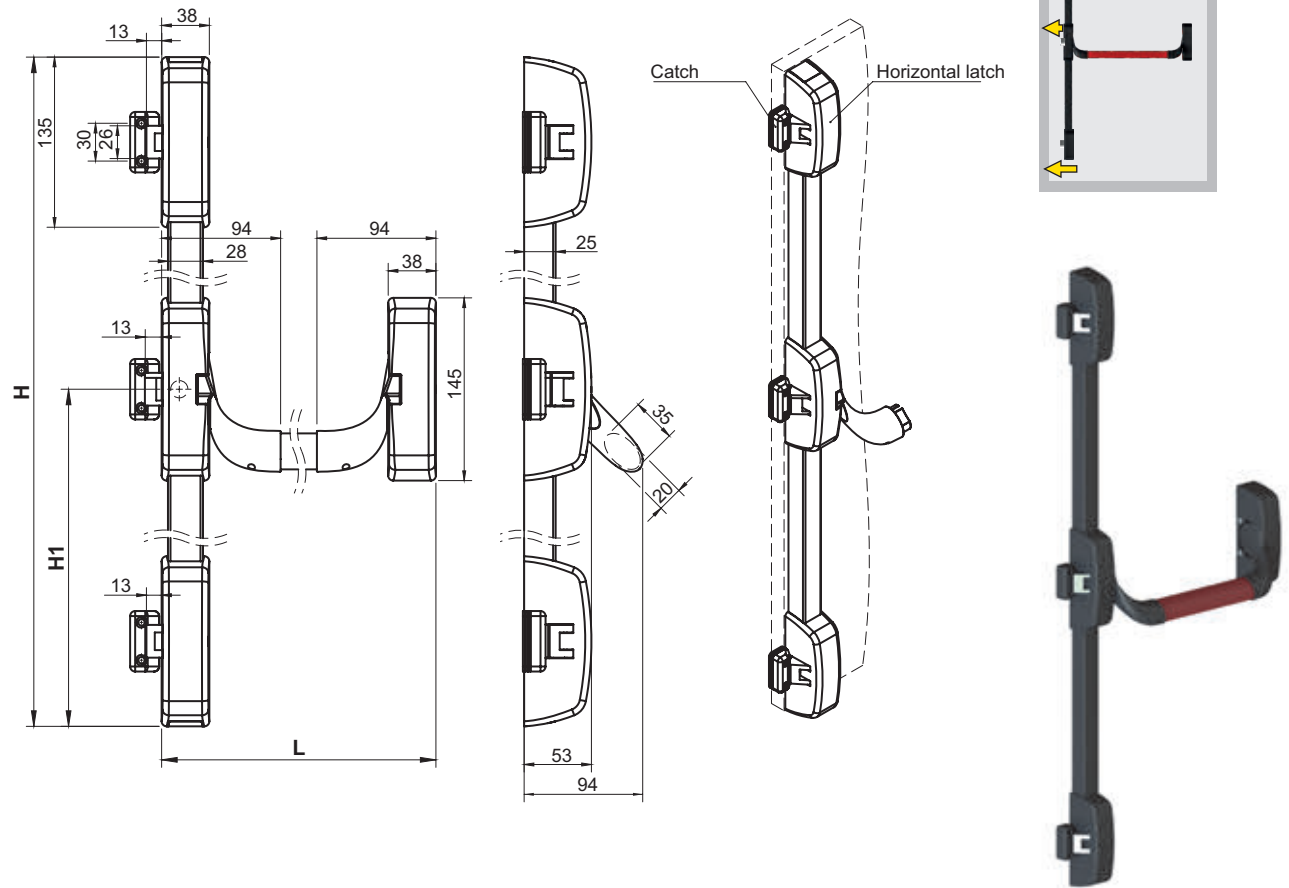
- Accessories to be ordered separately:
- external holder 1B.ZA.100

Housings of locks and catches, horizontal bar are made of ZAMAK;
internal lock mechanism, rod - galvanized steel; bar, catch - powder-coated steel

CATALOGUE NUMBER	COMPONENTS	FINISH [C]		
		RAL 9005	RAL 7035	RAL 3020
1B.ZA.005	Central holder			
	Latch	04	05	-
	Catch			
	Horizontal bar	04	05	12



Anti-panic lock THREE-POINT LATCH (side / side / side)



The set includes:

- central holder,
- horizontal latch (x3),
- horizontal bar (state size L at order),
- upper and lower rod (state dimension of H and H1 at order),
- catch with a set of spacers (x3)

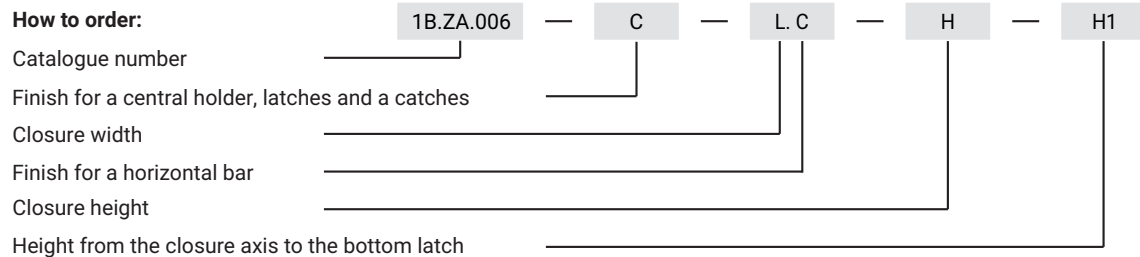
Accessories to be ordered separately:

- external holder 1B.ZA.100

Housings of locks and catches, horizontal bar are made of ZAMAK;
internal lock mechanism, rod - galvanized steel; bar, catch - powder-coated steel

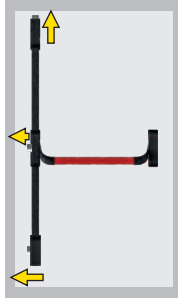
CATALOGUE NUMBER	COMPONENTS	FINISH [C]		
		RAL 9005	RAL 7035	RAL 3020
1B.ZA.006	Central holder			
	Latch	04	05	-
	Catch			
	Horizontal bar	04	05	12

How to order:

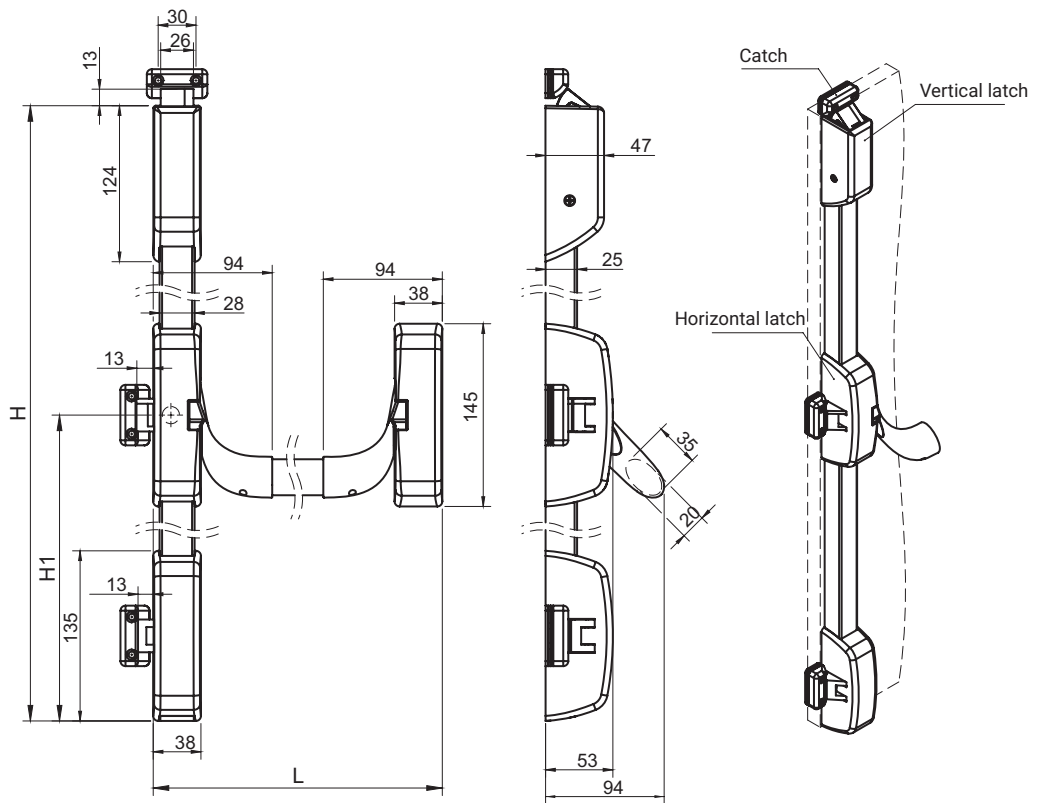


www.roztocze.eu

Locking systems |



Anti-panic lock
THREE-POINT LATCH (side / top / side)

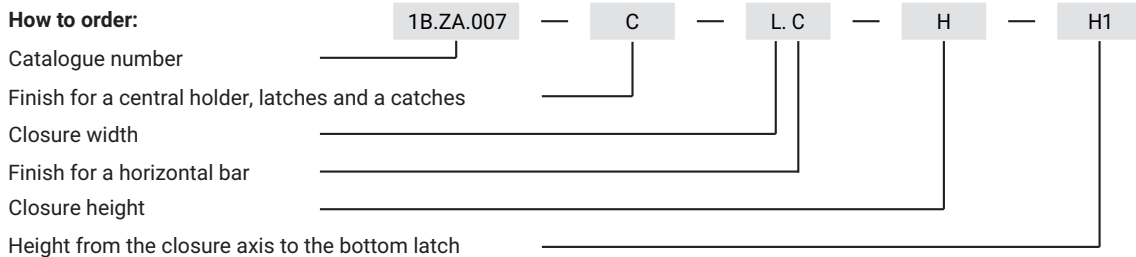


- The set includes:
- central holder,
 - horizontal latch (x2),
 - vertical latch
 - horizontal bar (state size L at order),
 - upper and lower rod (state dimension of H and H1 at order),
 - catch with a set of spacers (x3)

- Accessories to be ordered separately:
- external holder 1B.ZA.100

Housings of locks and catches, horizontal bar are made of ZAMAK;

CATALOGUE NUMBER	COMPONENTS	FINISH [C]		
		RAL 9005	RAL 7035	RAL 3020
1B.ZA.007	Central holder			
	Latch	04	05	-
	Catch			
	Horizontal bar	04	05	12





		1B.ZW.101	1B.ZW.102	1B.ZW.103	1B.ZW.104
1B.ZA.001 str. 1A-13		A1			
1B.ZA.002 str. 1A-14		A2	A1 A2	A1	A1
1B.ZA.003 str. 1A-15				A2	
1B.ZA.006 str. 1A-18					A2

How to order :

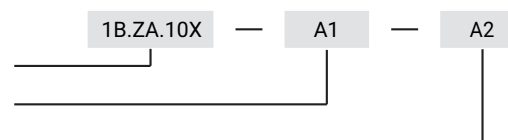
Cat.number for anti-panic lock for double wing door

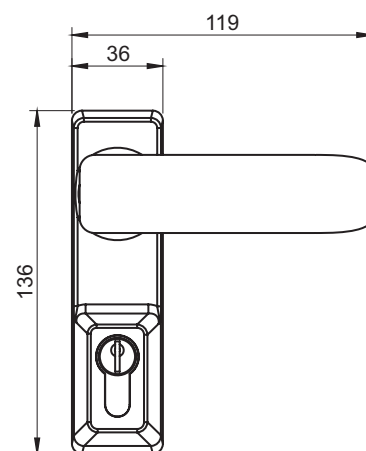
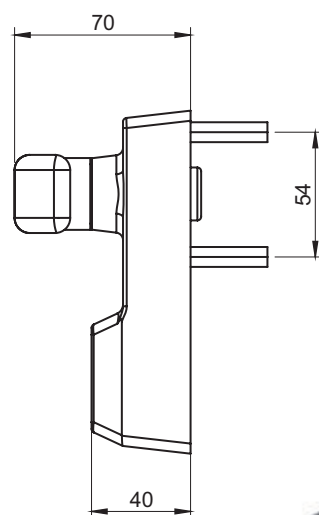
Cat.number for anti-panic lock for first wing door

Cat.number for anti-panic lock for second wing door

where:

A1, A2 has a full number from the catalogue of chosen lock
(for locks 1B.ZA.001 without H and H1 dimensions)





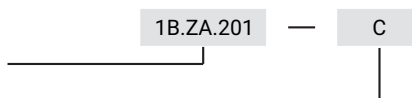
External fitting with handle for anti-panic locks. Provided with Europrofile insert.

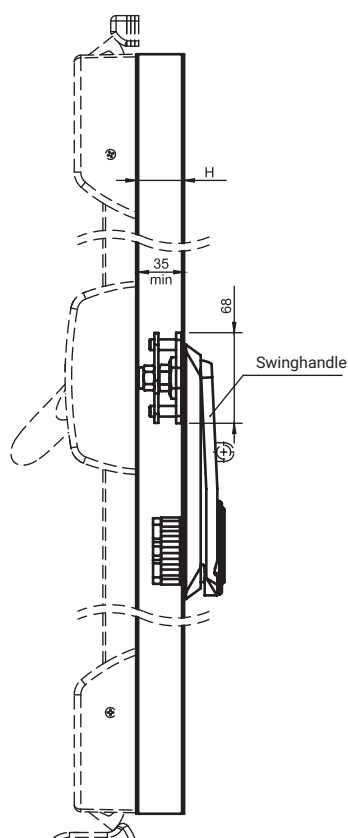
CATALOGUE NUMBER	COMPONENTS	MATERIAL	FINISH [C]
			RAL 9005
1B.ZA.201	Klamka Obudowa	ZAMAK	04

How to order :

Catalogue number

Finish

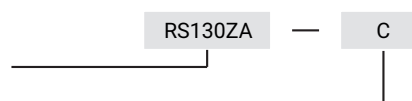




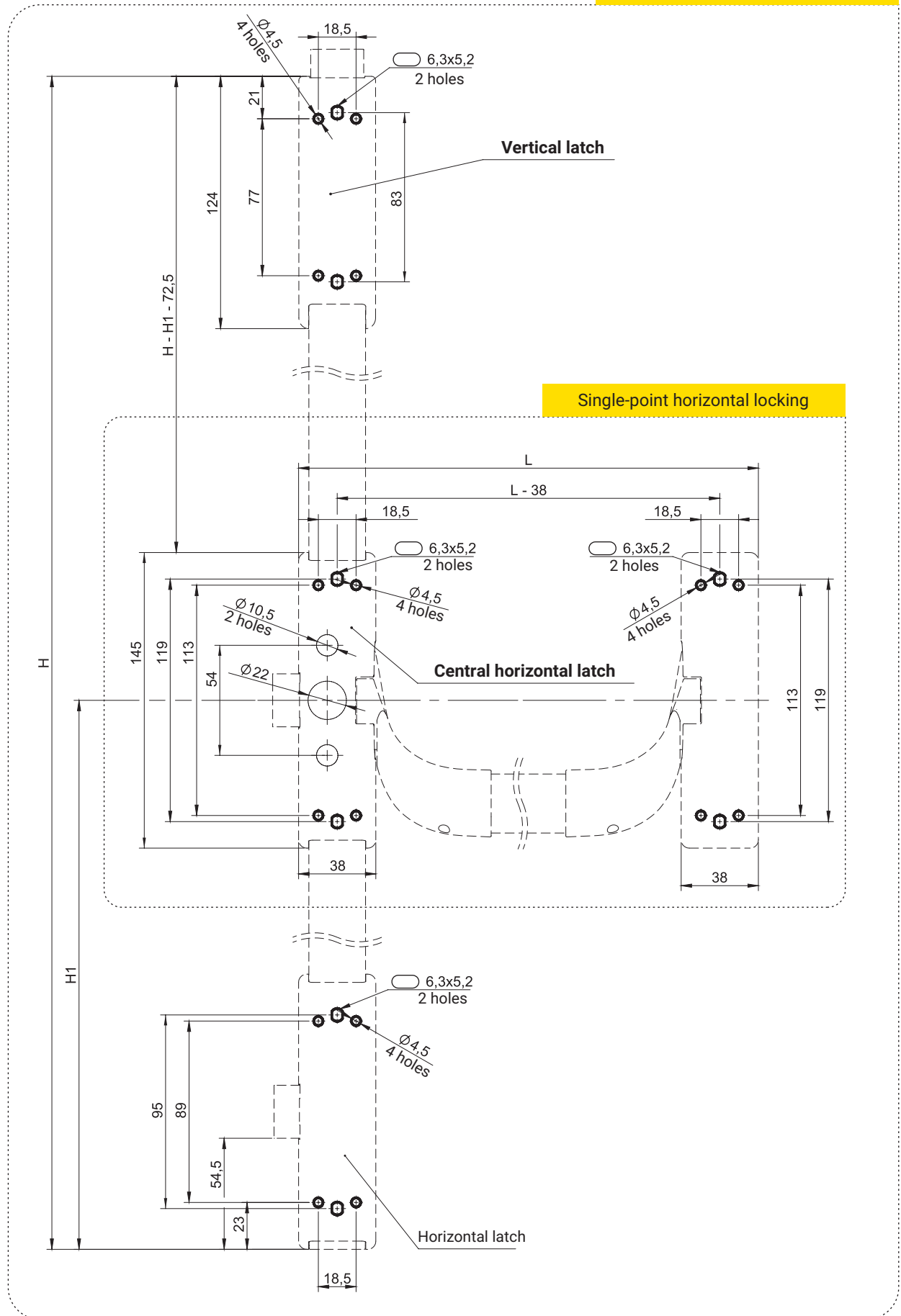
Mounting holes of locks with swinghandle according to catalogue pages of RS200 locks - page 1B-3, RS130 - page 1B-8. The ZA end piece in the catalogue number of swinghandles means that it is a lock adapted to cooperation with an anti-panic lock.
RS130/U ZA i RS200/U ZA - swinghandles with padlock protection.

SWINGHANDLES COMPATIBLE WITH ANTI-PANIC LOCKS				
TYPE OF LOCK	HANDLE MATERIAL, LOCK FINISH [C]			
	ZAMAK		Polyamide	
	RAL 9005	RAL 7035	RAL 9005	RAL 7035
RS130ZA RS130/UZA	04	-	07	-
RS200ZA RS200/UZA	04	05	07	08

How to order :
Catalogue number
Handle material, lock finish



2 or 3 point locking



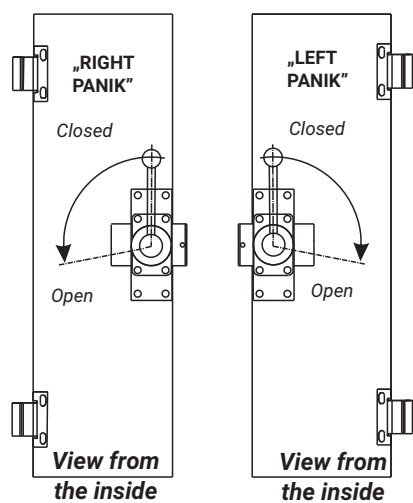
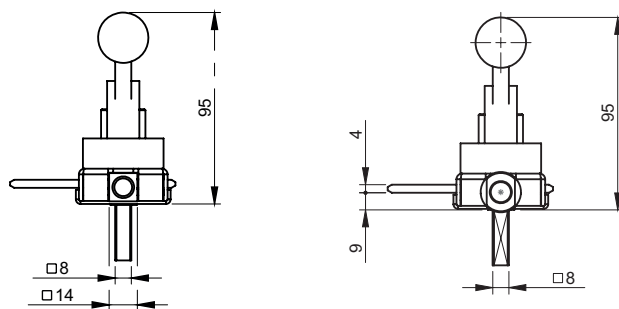
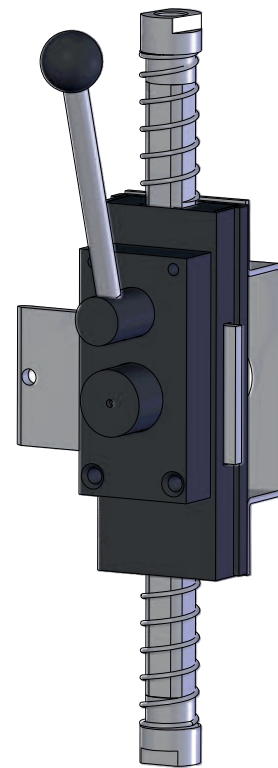
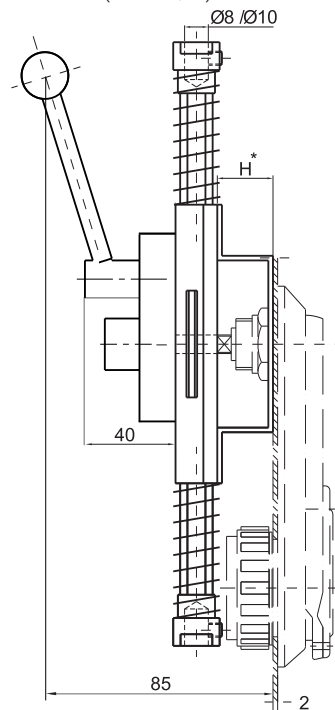
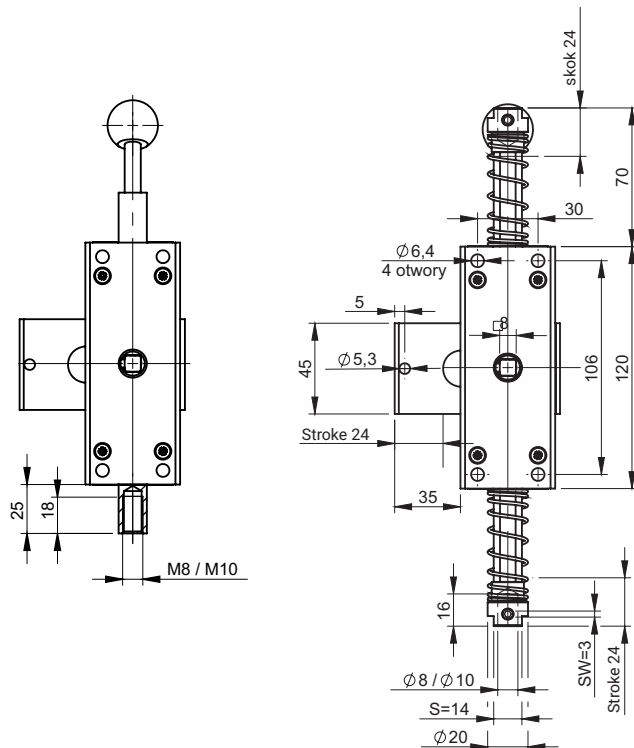
Each lock can be mounted on 4 holes $\varnothing 4,5$ or 2 holes $6,3 \times 5,2$



ZWPM8.002 (with thread M8) **ZWPM10.002** (with thread M10)

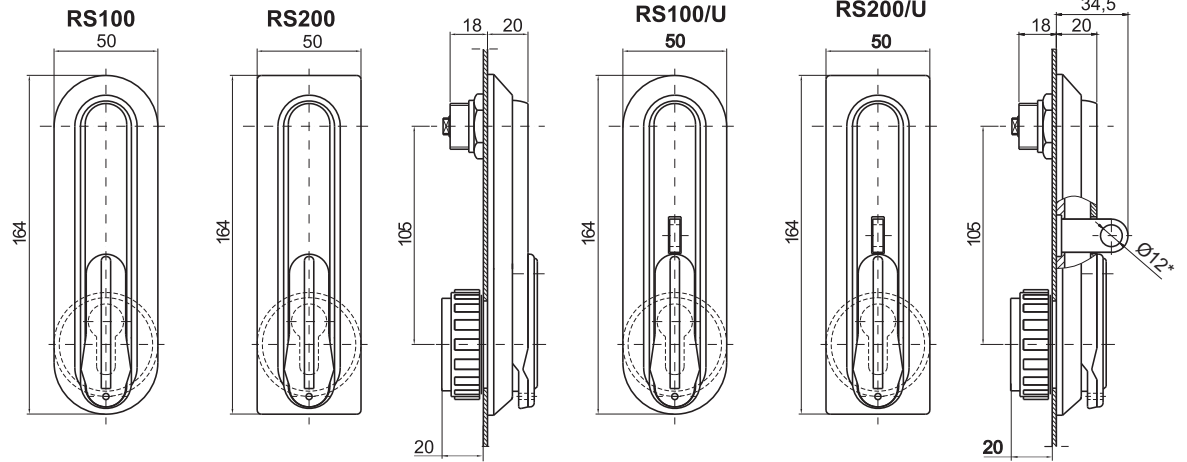
ZWP8.002 (with hole $\phi 8$)

ZWP10.002 (with hole $\phi 10$)



NOTE:
1. When ordering lock ZWP, you must define H dimension and version: left or right

NAME	MATERIAL
Internal lock panik ZWPM8.002	Steel zinc plated
Internal lock panik ZWPM10.002	
Internal lock panik ZWP8.002	
Internal lock panik ZWP10.002	
• When ordering you must define H dimension	



NOTE:

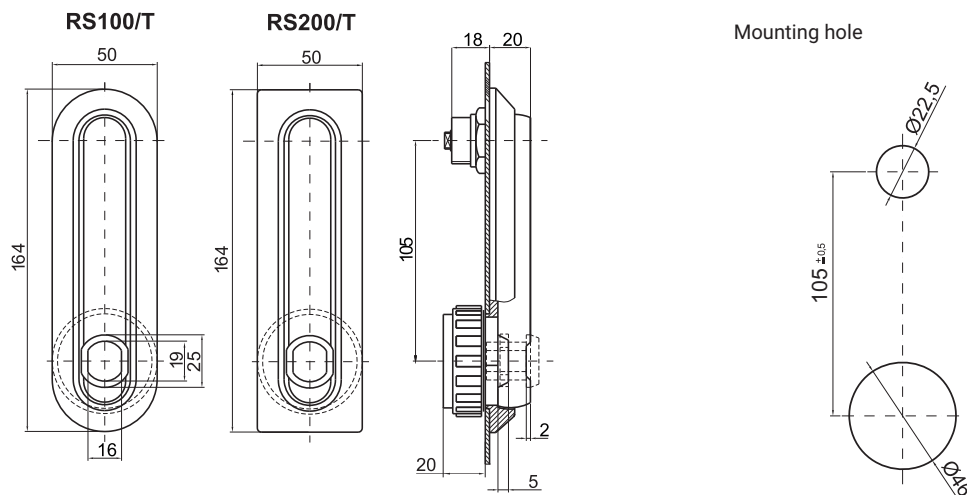
1. When ordering swinghandle RS100, RS200 for **internal lock**, you should add letters e.g. (RS100ZW, RS200ZW).
2. When ordering swinghandle RS100, RS200, for **internal lock panik**, you should add letters ZWP e.g. (RS100ZWP, RS200ZWP)

(*) - Padlock device is available with diameter $\varnothing 12$

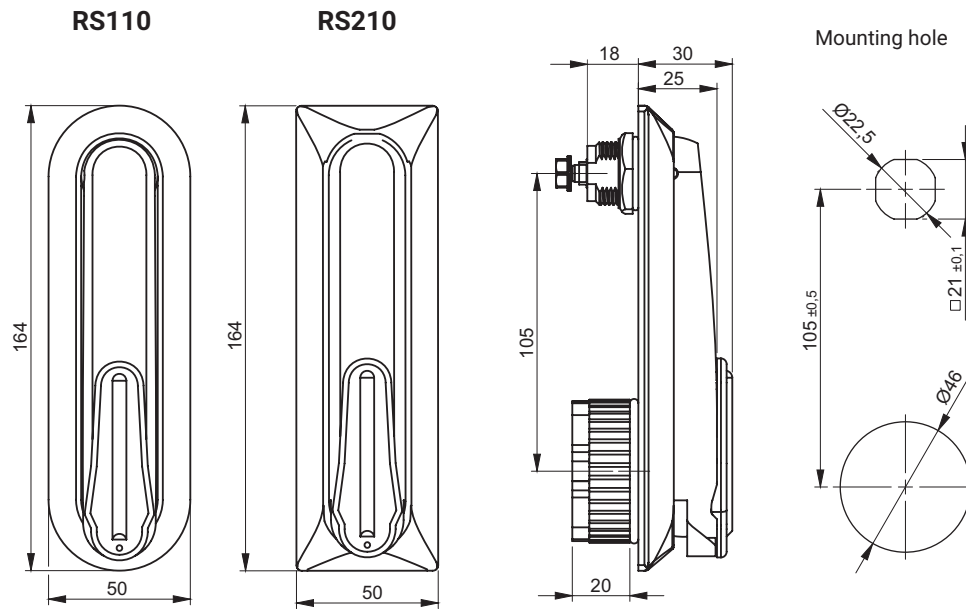
LOCK TYPE	COMPONENTS	MATERIAL	
RS100	Housing	Polyamide PA6	
RS200			
RS100/U	Housing Padlock device	Polyamide PA6	
RS200/U		ZAMAK5	
Material and finish [C]			
ZAMAK5		POLYAMIDE PA6	
RAL 9005	RAL 7035	RAL 9005	RAL 7035
04	05	07	08

How to order : **RS100/U** — **[C]**
 Type of lock — RS100/U
 Material handle, finish — [C]

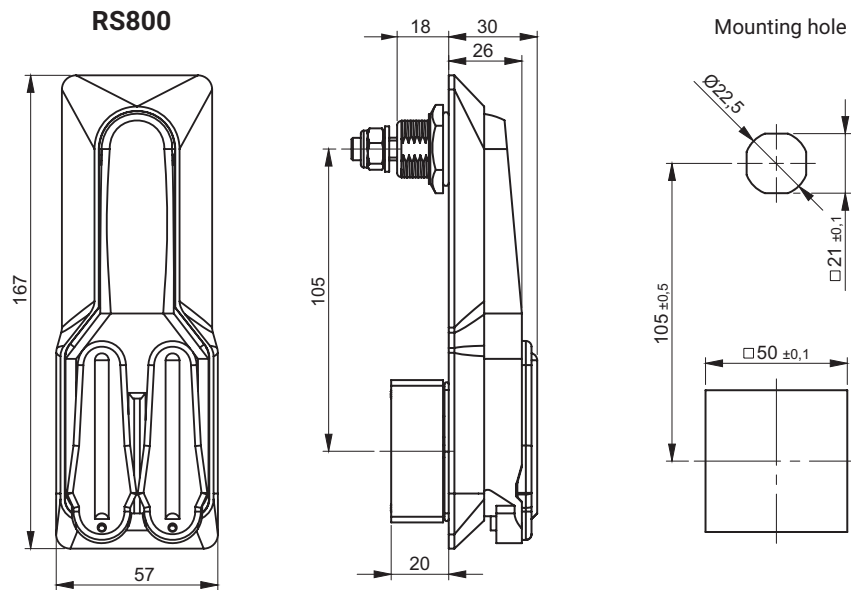
• Additionally there is a possibility of putting company logo a dust cover



LOCK TYPE	COMPONENTS	MATERIAL	FINISH [C]	
			RAL 9005	RAL 7035
RS100/T	Housing, Handle	Polyamide PA6	07	08
RS200/T				



DETAIL	COMPONENTS	MATERIAL	FINISH [C]	
			RAL 9005	RAL 7035
RS110 RS210	Housing, Handle	Polyamide PA GF30	07	08



DETAIL	COMPONENTS	MATERIAL	FINISH [C]	
			RAL 9005	RAL 7035
RS800 RS800W	Housing, Handle	Polyamide PA GF30	07	08

NOTE:
Locking is the enhanced version or without reinforcement.
RS800W - with steel reinforcement handle.

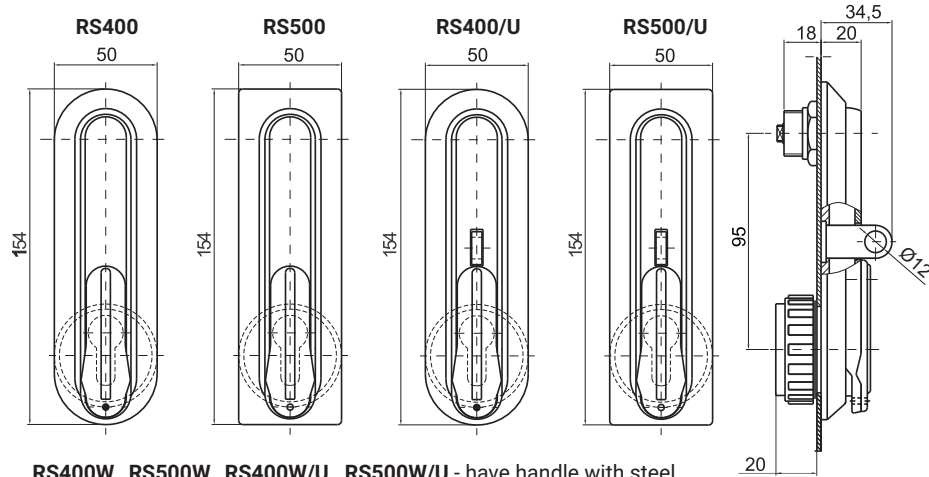
How to order:

Catalogue number RS 800 — C

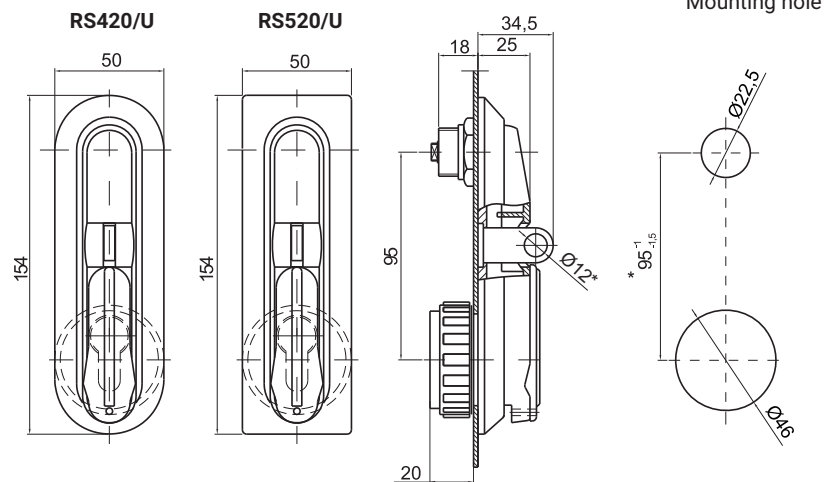
Finish _____

Swinghandle

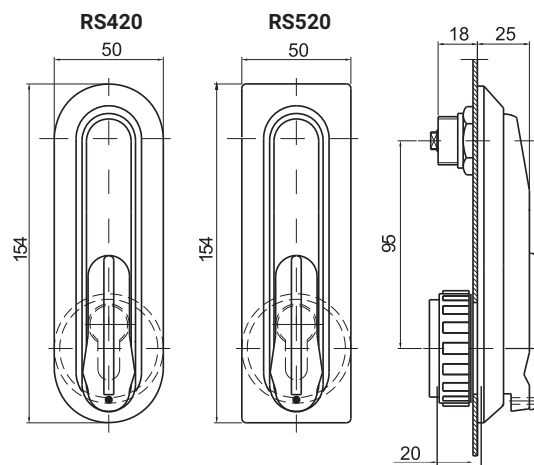
RS400, RS400W, RS400/U, RS400W/U, RS420, RS420/U, RS500, RS500W, RS500/U, RS500W/U, RS 520, RS520/U



RS400W, RS500W, RS400W/U, RS500W/U - have handle with steel strenghtening inside



Mounting hole



(*) - Padlock device is available with diameter Ø12

NAME		COMPONENTS	MATERIAL	FINISH [C]	
RS400	RS500			RAL 9005	RAL 7035
RS400W	RS500W	Housing, handle	Polyamide PA6	07	08
RS400/U	RS500/U				
RS400W/U	RS500W/U				
RS420	RS520				
RS420/U	RS520/U				

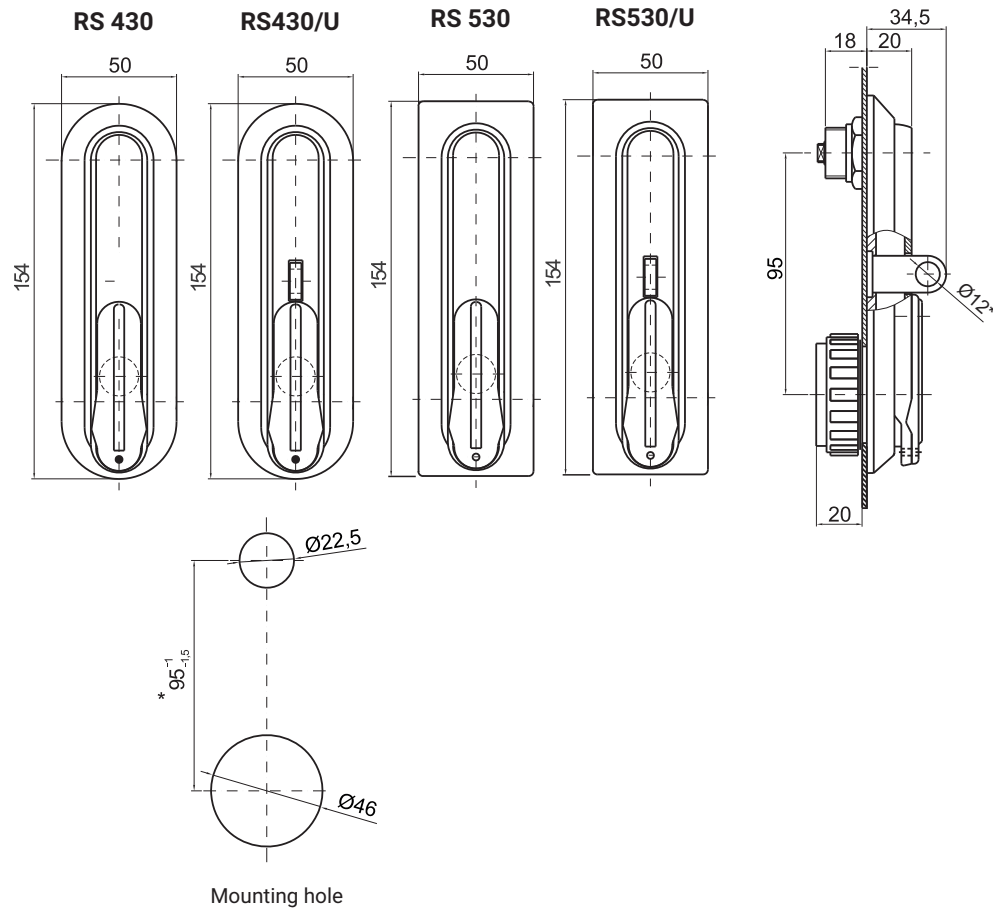
• Additionally there is a possibility of putting company logo on a dust cover

How to order:

Catalogue number
Finish

RS420/U — C

Swinghandle RS430, RS430/U, RS530, RS530/U



LOCK TYPE	COMPONENTS	MATERIAL
RS 430, RS 430/U	Housing, handle	Poliamide
RS 530, RS 530/U	Padlock ring	ZAMAK
Inserts		
FINISH [C]		
	RAL 9005	RAL 7035
	07	08

How to order : RS430/U — T9 — C

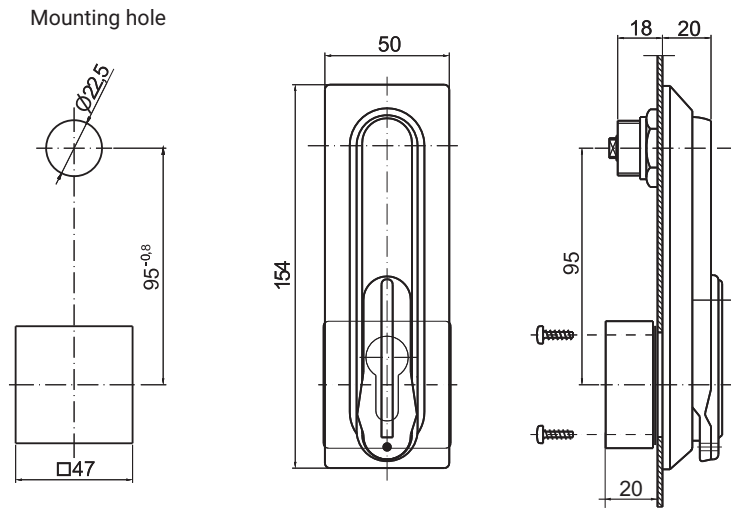
Type of lock _____
 Type of insert _____
 Finish _____

LOCK TYPE	COMPONENTS	MATERIAL
RS 430, RS 430/U	Housing, handle	Poliamid
RS 530, RS 530/U	Padlock ring	ZAMAK
Key code		
1333	455E	2342E
405E	1242E	Different code
FINISH [C]		
	RAL 9005	RAL 7035
	07	08

How to order : RS430/U 1333 C

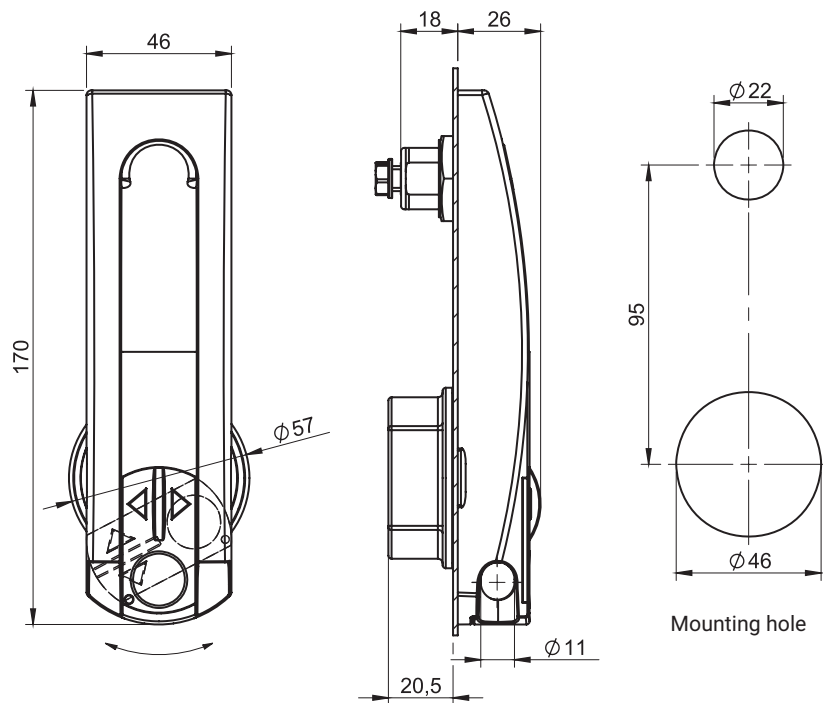
Type of lock _____
 Key code _____
 Finish _____

Lock with handle RS 430, RS 430/U, RS 530, RS 530/U is compatible with cam: 15, 16, 19, 21, 35, 36, JK-10018, JK1-10018, JK2-10018, J-6000
 H.G dimension to be chosen from pages 1C-10 to 1C-17



LOCK TYPE	COMPONENTS	MATERIAL	FINISH [C]	
			RAL 9005	RAL 7035
RS510	Housing, handle	Polyamide - PA6	07	08

• *Additionally there is a possibility of putting company logo on a dust cover*



Przesłona wkładki obracana

LOCK TYPE	COMPONENTS	MATERIAL	FINISH [C]	
			RAL 9005	RAL 7035
RS900	Housing, handle	Polyamide - PA6	07	08

How to order :

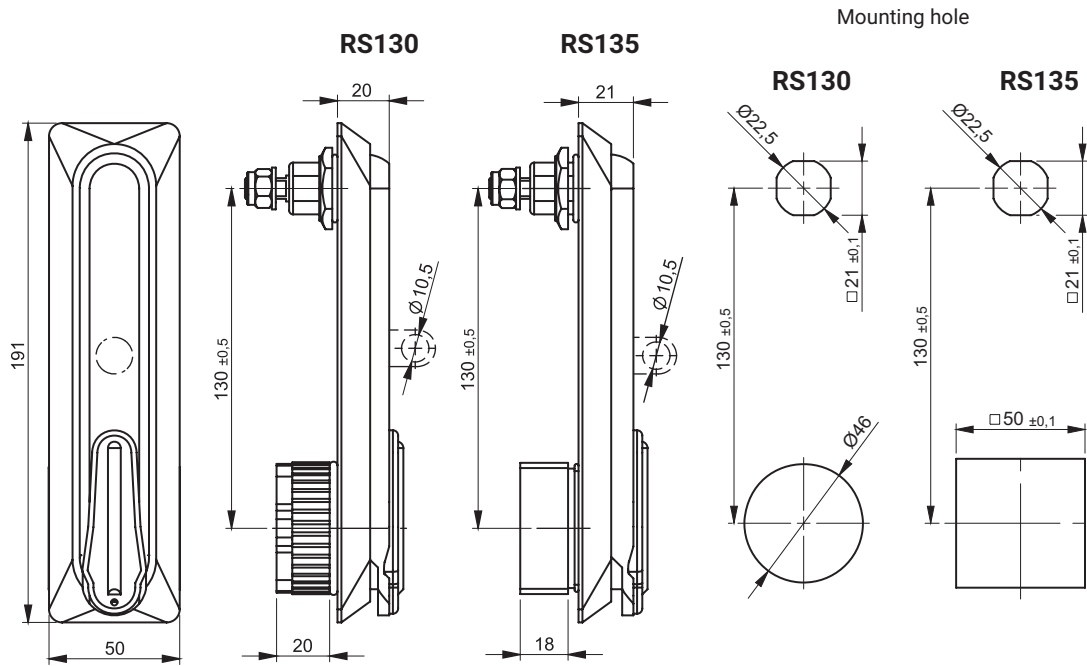
Type of lock
Finish

RS900

C

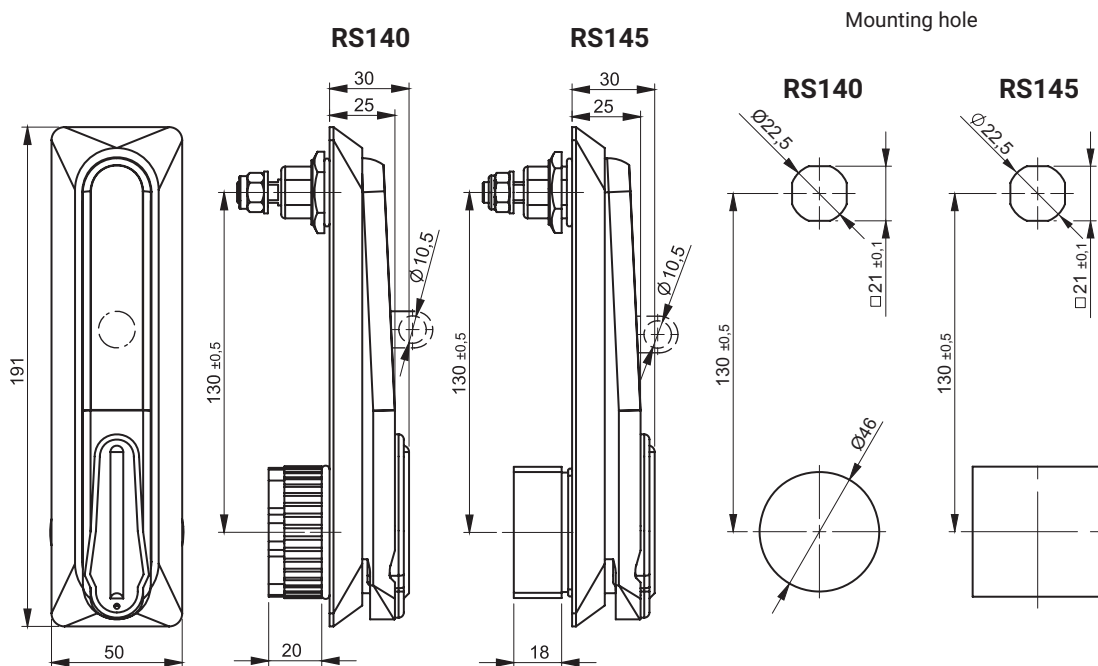
1B-7

Swinghandle RS130, RS135, RS140, RS145



LOCK TYPE	COMPONENTS	MATERIAL
RS130, RS130/U	Housing	Polyamide - PA6 GF30
RS135, RS135/U		
Material and finish [C]		
ZAMAK	Polyamide PA6 GF30	
RAL9005	RAL9005	
04	07	

How to order : **RS130** — **C**
 Type of lock —
 Material handle, colour —



LOCK TYPE	COMPONENTS	MATERIAL	FINISH [C]
			RAL 9005
RS140, RS140/U	Housing	Polyamide PA6 GF30	04
RS145, RS145/U	Handle	ZAMAK5	



It has two opening points:

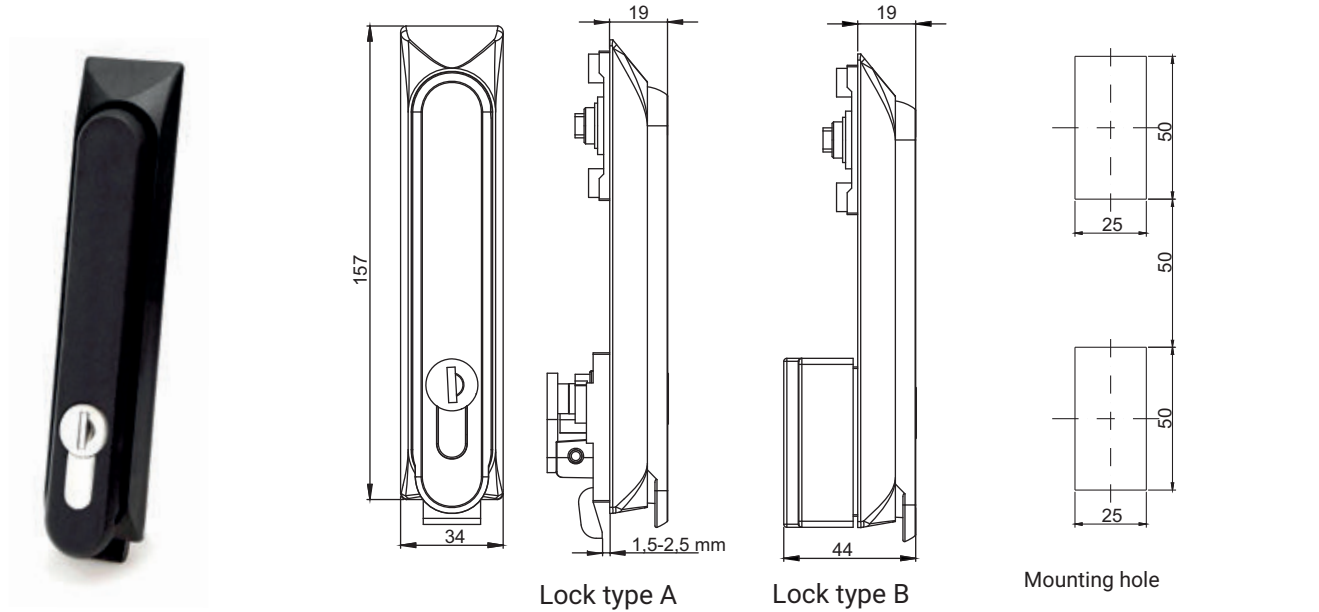
- Mechanical - cylinder with a patent key for emergency opening in case of power failure
- Electronic - built-in micro servo

Technical data:

- RFID technology
- 4-digit PIN code
- Compatible with the access control system EMI-One
- Built-in handle position sensor in the lock for warning purposes the user to leave the lock open when the cabinet door is closed.
- Power supply for 12V DC lock
- Built-in buzzer for lock action signaling
- LED indicating the lock status
- Storage of login information Minimum 10 years

- The RS-E.001.M lock cooperates with the cogwheel mechanism MZ2 (pp. 1C-30 to 1C-31)
- The RS-E.001.N lock cooperates with the 1C.902.001 cover plate.(pages 1C-27) and with cams 1-point from group 11, 13



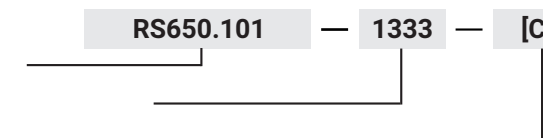


Type lock A	Standard	Pin shaped	—	RS650.001
		Cylinder	—	RS650.002
		Cylinder insert	—	RS650.003
	Ear	Pin shaped	—	RS650.004
		Cylinder	—	RS650.005
		Cylinder insert	—	RS650.006
	Cursor	Pin shaped	—	RS650.007
		Cylinder	—	RS650.008
		Cylinder insert	—	RS650.009
Type lock B	Standard	Pin shaped	—	RS650.101
		Cylinder	—	RS650.102
		Cylinder insert	—	RS650.103
	Ear	Pin shaped	—	RS650.104
		Cylinder	—	RS650.105
		Cylinder insert	—	RS650.106
	Cursor	Pin shaped	—	RS650.107
		Cylinder	—	RS650.108
		Cylinder insert	—	RS650.109

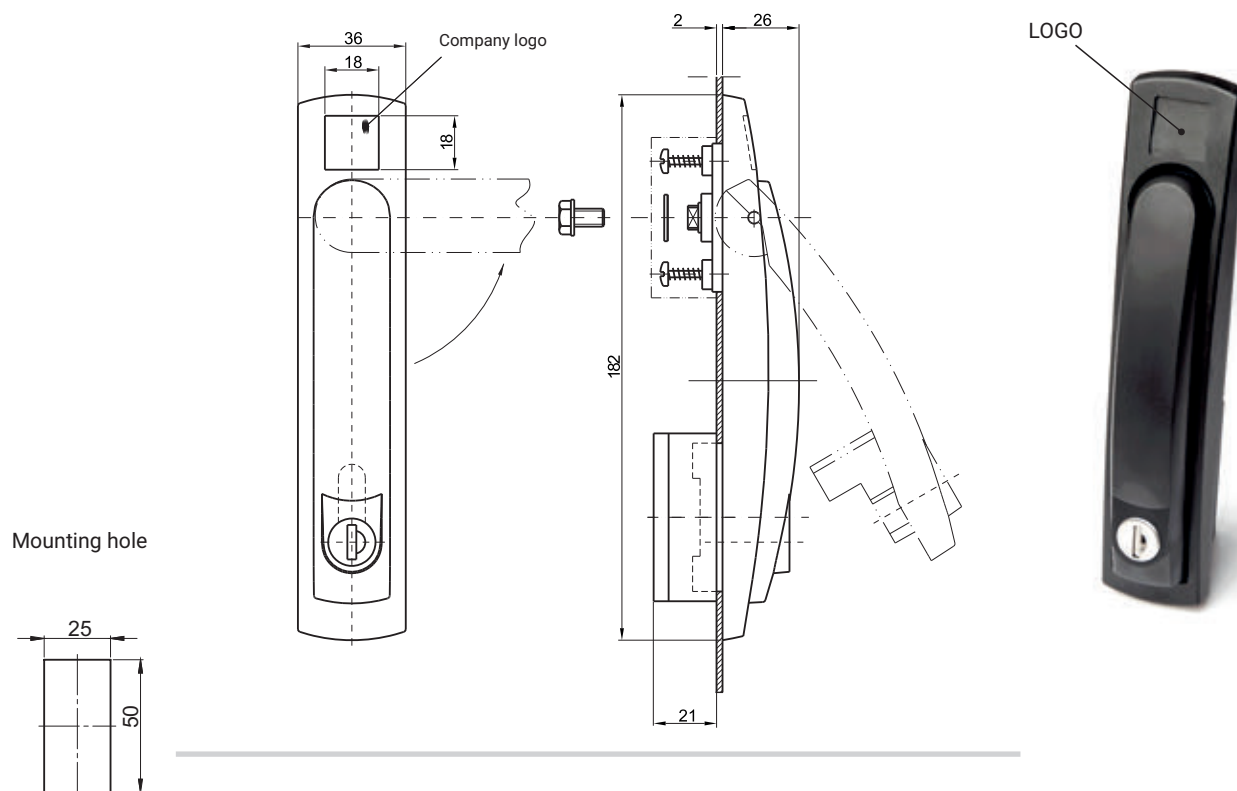
TYPE OF LOCK						COMPONENTS						MATERIAL					
RS 650						Body, Handle						Polyamide PA6 GF30					
KEY CODE						FINISH [C]						PIN					
1333	405E	455E	1242E	2342E	RK	RAL 9005	RAL 7035										
						07	08	D3	D5	T9	T10	KW 8	S	N			

How to order:

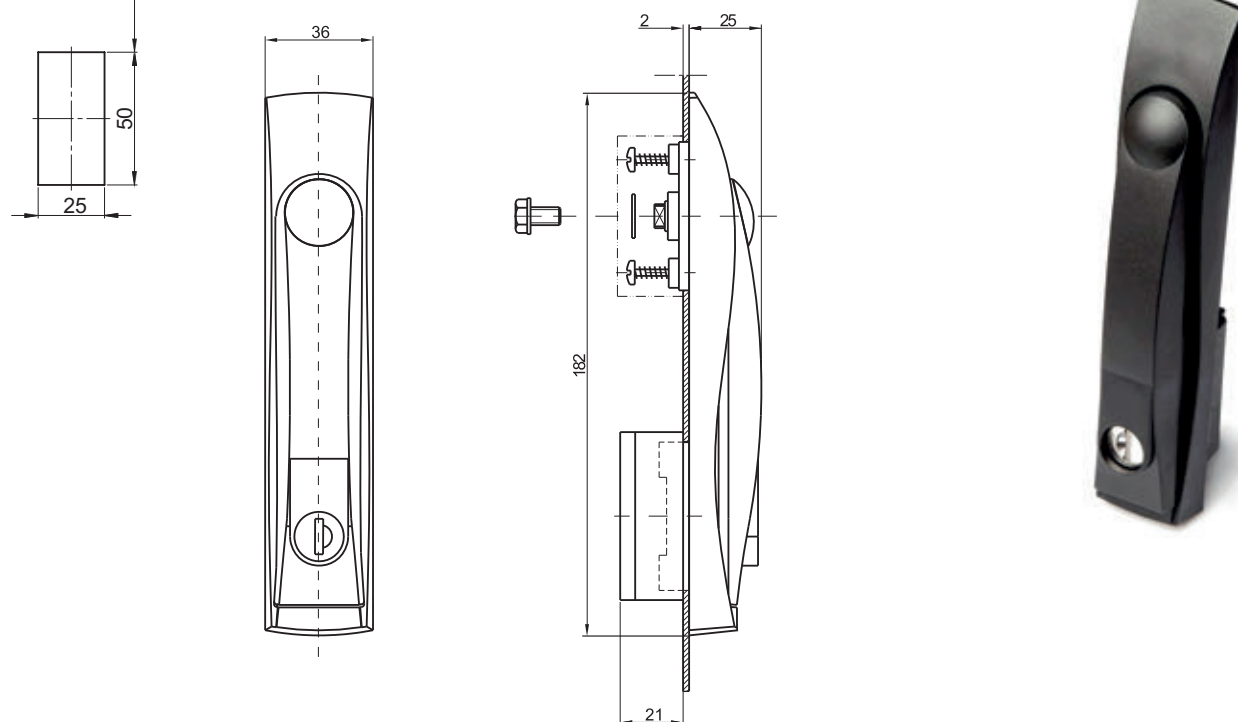
Catalogue number
Type of lock
Finish



RS600



RS610.M RS610.N

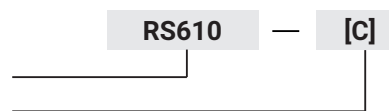


* possibility of making a logo by Pad Printing

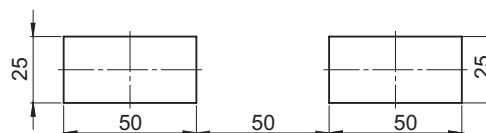
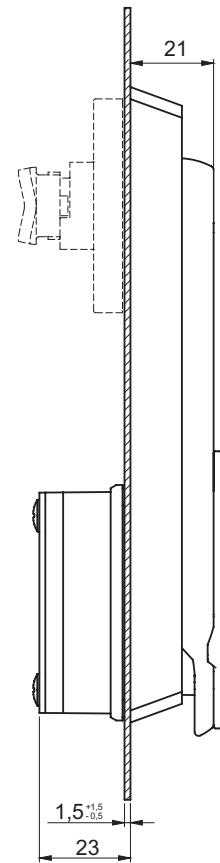
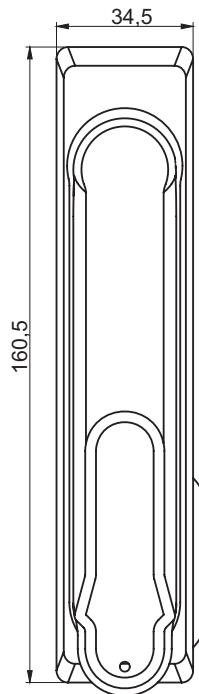
TYPE OF LOCK	COMPONENTS	MATERIAL	FINISH [C]
RS600	Body, Handle	Polyamide PA6 GF30	RAL 9005
RS610			07

How to order:

Type of lock
Finish



stainless steel **IP65**



Mounting hole

Additional equipment for the MZ cogwheel mechanism also for the N cap should be ordered separately check page 1A-3, 1A-4

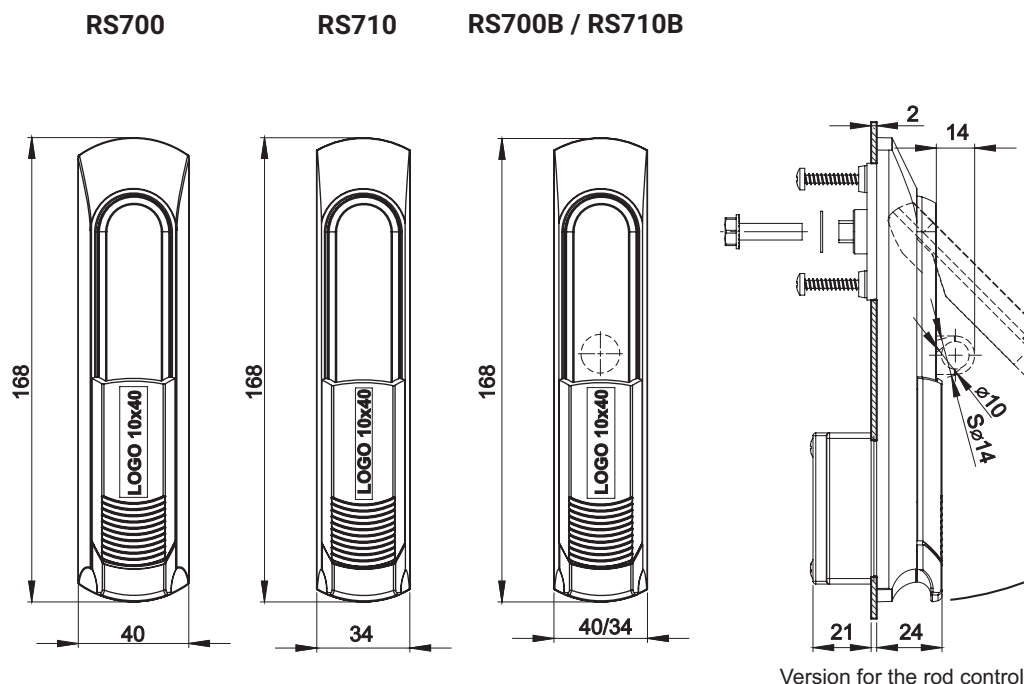
NAME	COMPONENTS	MATERIAL
RS173.002	Body, Handle	Stainless steel

How to order: **RS173.002** — **SN**
 Type of lock —
 Finish —

1B-13

| Swinghandles

www.roztocze.eu



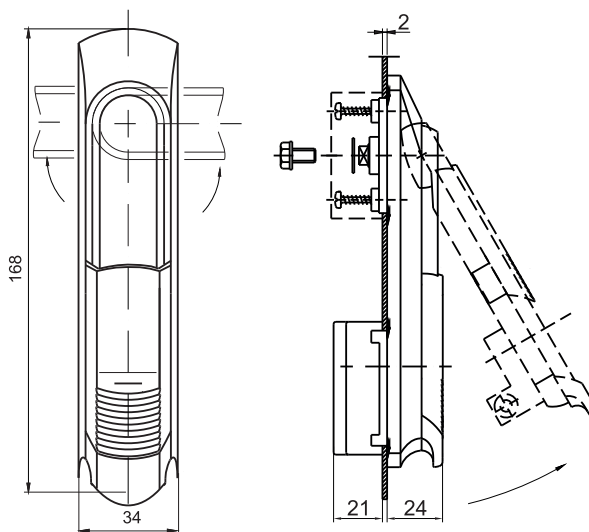
Version for the rod control



Material and colour [C]			
ZAMAK5		POLYAMIDE	
RAL 9005	RAL 7035	RAL 9005	RAL 7035
04	05	07	08
TYPE OF SWINGHANDLE	VERSION	COMPONENTS	MATERIAL
RS700.N	For the cap 1C.902.001	Housing, Sliding dust cover	Polyamide
RS710.N			
RS700B.N			
RS710B.N			
RS700.M	For the rod control		
RS710.M			
RS700B.M			
RS710B.M			

How to order : **RS700B.M** — **[C]**
 Type of lock _____
 Material handle, finish _____

The lock is fitted with profile which should be ordered separately (pg. 1C-1, 1C-2)
 The lock is fitted with gear mechanism (pg. 1C-30 to 1C-33)
 or the cover plate 1C.902.001 (pg.1C-27), should be ordered separately.
 Lock RS700-U, RS710-U - version with the pin for padlock.

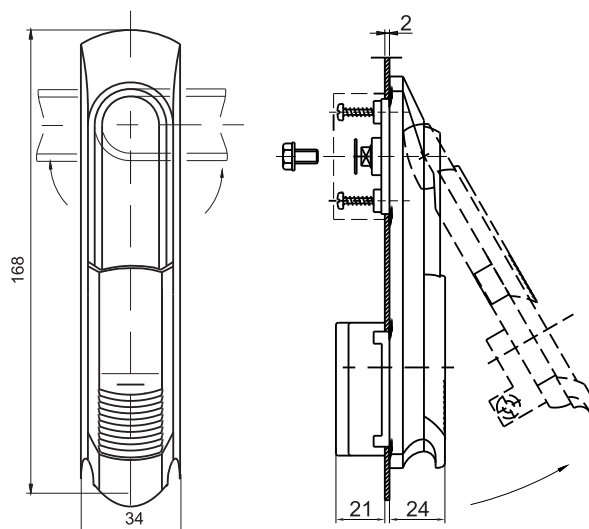


LOCK TYPE		VERSION				COMPONENTS		MATERIAL	
RS715.N		Cap 1C.902.001				Body, Handle		Polyamide	
RS715.M		Cogwheel mechanism MZ						Polyamide	
KEY CODE						FINISH [c]			
1333	405E	455E	1242E	2342E	RK	RAL 9005		RAL 7035	
						07		08	

How to order :

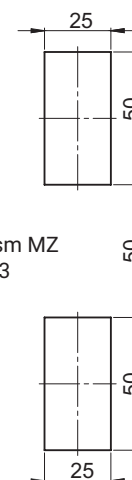
Lock type
Key code
Finish

RS715.M — 1333 — [C]



Cap 1C.902.001
page 1C-27

Cogwheel mechanism MZ
page 1C-28 do 1C-33



LOCK TYPE		VERSION				COMPONENTS		MATERIAL		
RS716.N		Cap 1C.902.001				Body, Handle		Polyamide		
RS716.M		Cogwheel mechanism MZ						Polyamide		
PIN						FINISH [c]				
							RAL 9005		RAL 7035	
D3	D5	T9	T10	KW 8	S	N	07		08	

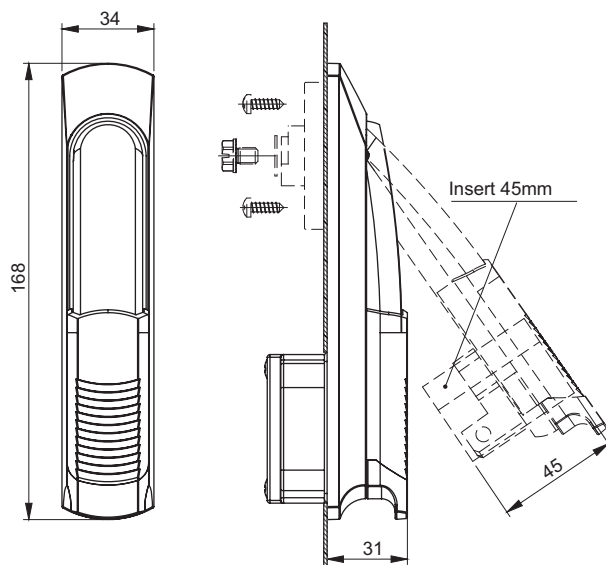
How to order :

Lock type
Pin type
Finish

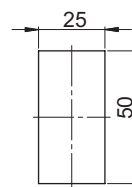
RS716.N — T9 — [C]

*possibility to make company logo on handle

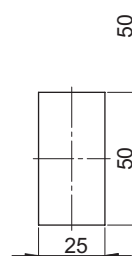
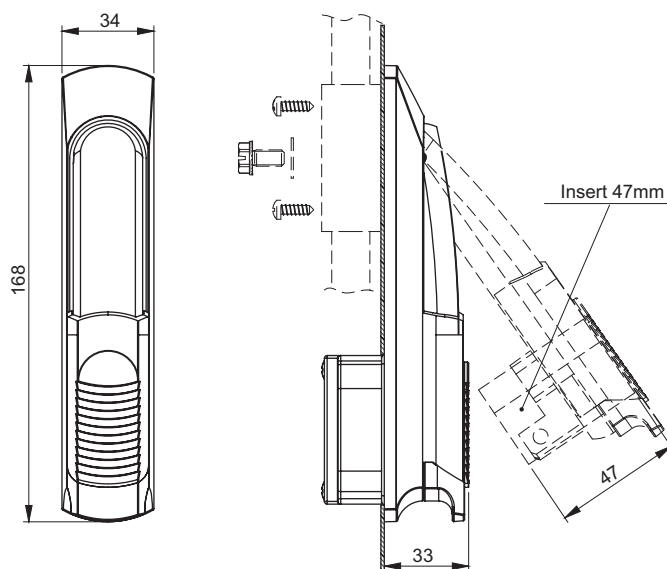
RS730-45



Mounting hole



RS730-47



LOCK TYPE	VERSION	COMPONENTS	MATERIAL	FINISH [C]	
				RAL 9005	RAL 7035
RS730-45.N	For the cap 1C.902.001	Housing, Handle	Polyamide PA GF30	07	08
RS730-47.N					
RS730-45.M	For the rod control				
RS730-47.M					

How to order :

RS730-45.N — [C]

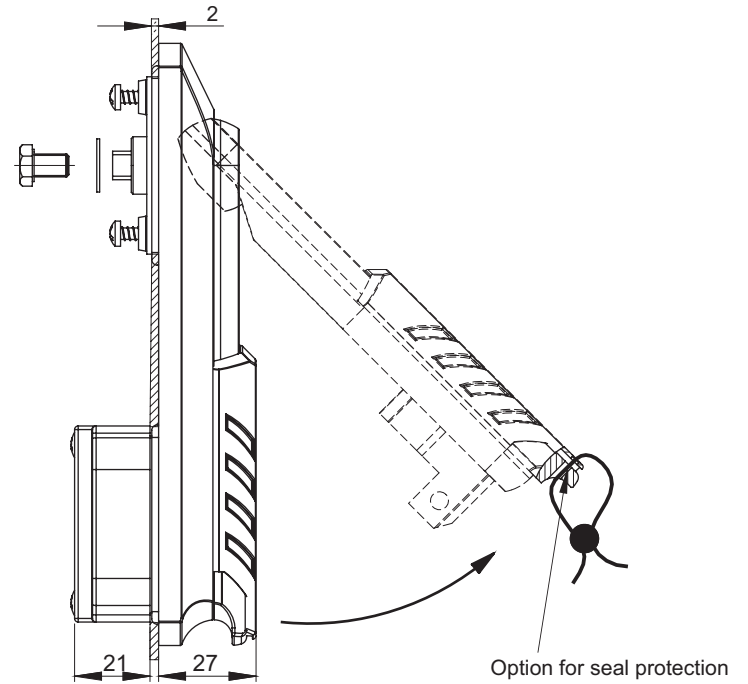
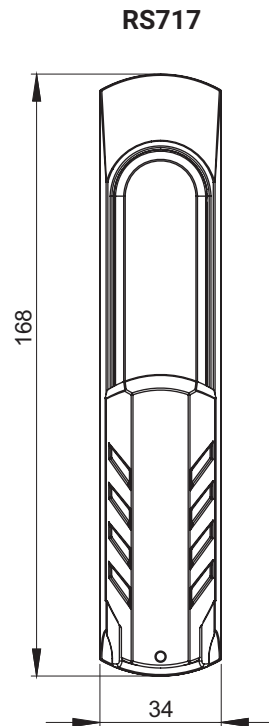
Lock type

Finish

The lock is fitted with profile which should be ordered separately (pg. 1C-1, 1C-2)

The lock is fitted with gear mechanism (pg. 1C-30 to 1C-33)

or the cover plate 1C.902.001 (pg.1C-27), should be ordered separately.

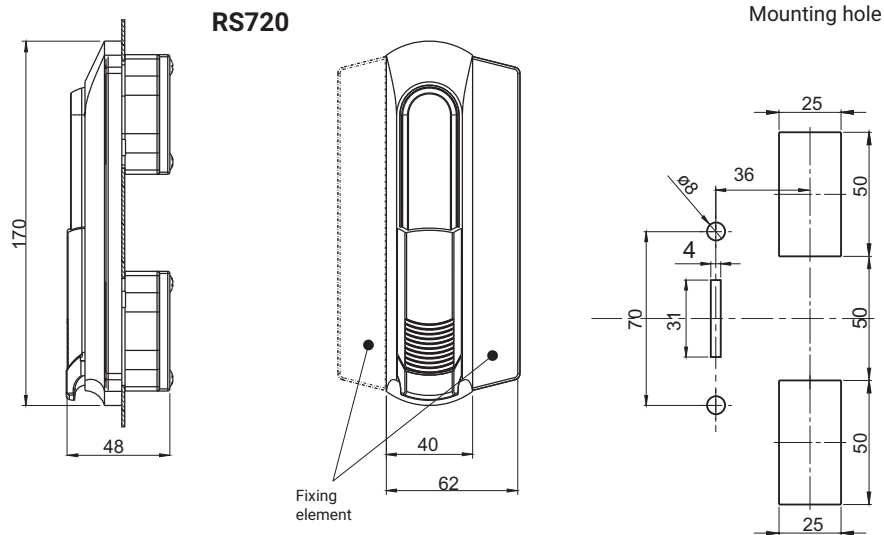


Cut out

TYPE OF LOCK	VERSION	COMPONENTS	MATERIAL	FINISH [C]	
				RAL 9005	RAL 7035
RS717.N	For the cap 1C.902.001	Housing	PA6 GF30	04	05
RS717.M	For the rod control	Handle, Slide	ZAMAK		

How to order :
 Type of lock **RS717.M** — **[C]**
 Finish

The lock is fitted with profile which should be ordered separately (pg. 1C-1, 1C-2)
 The lock is fitted with gear mechanism (pg. 1C-30 to 1C-33)
 or the cover plate 1C.902.001 (pg. 1C-27), should be ordered separately.
 Option for seal protection.

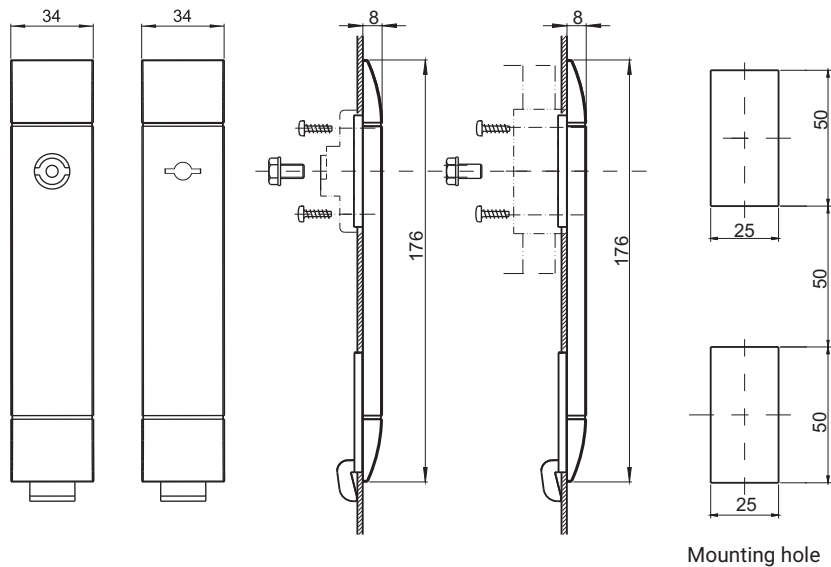


NOTE:
Fixing element can be fixed on left and right side of the lock

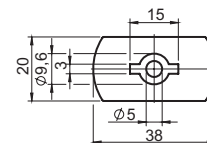
TYPE OF LOCK	COMPONENTS	MATERIAL	FINISH [C]
			RAL 9005
RS720.001	Body, Handle, Fixing element	Polyamide	07
RS720.002	Body, Fixing element	Polyamide	07
	Handle	ZAMAK	04

RW400.N RW410.N

RW400.M
RW410.M



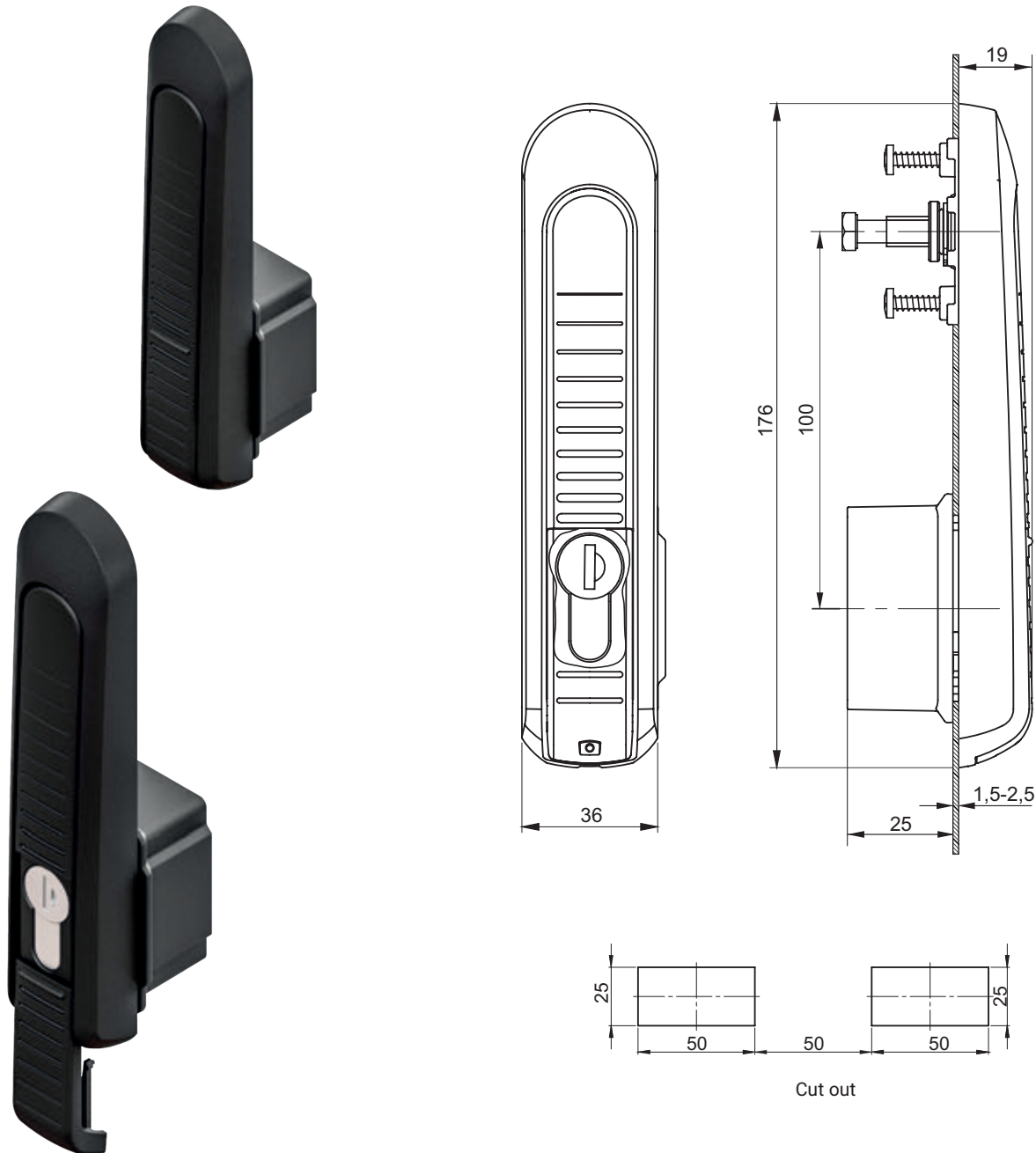
1C.912.001



Protective cover compatible with locks: RW100, RW110, RW400

TYPE OF LOCK	COMPONENTS	MATERIAL	FINISH [C]
			RAL 9005
RW400.N, RW410.N RW400.M, RW410.M	Body	Polyamide	07
1C.912.001	Protective cover	Polyamide	07

How to order :
Type of lock — RW400.N — [C]
Finish — [C]

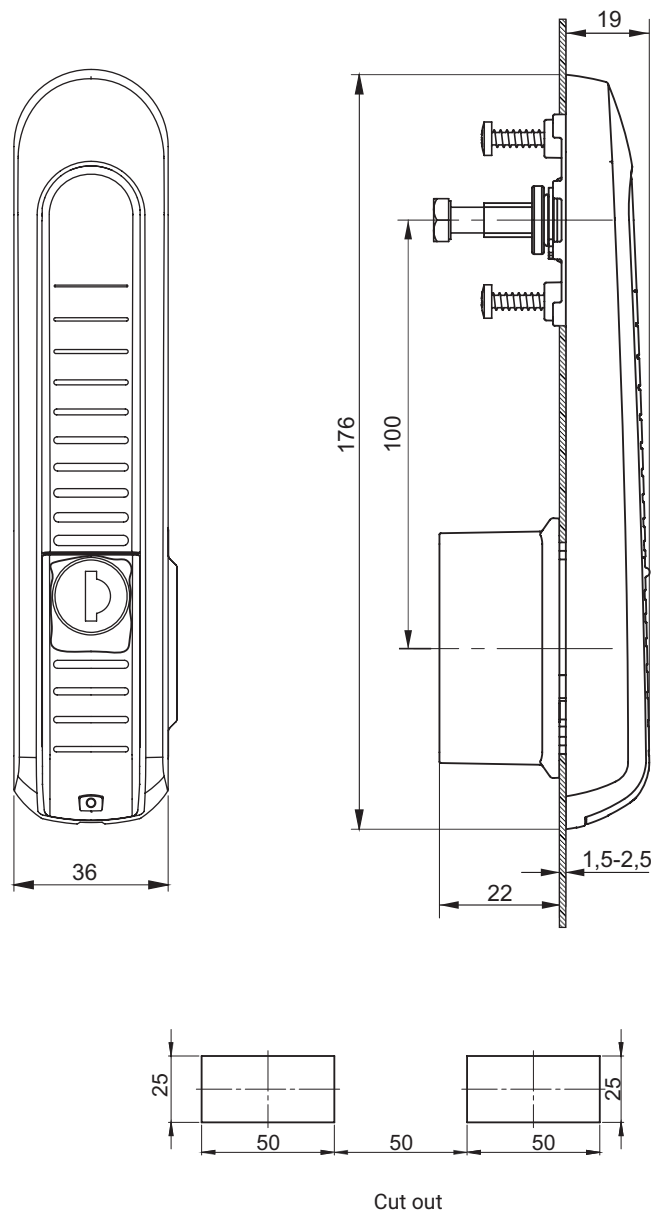


TYPE OF LOCK RS761	RS761.N	Version for a cap
	RS761.M	Version for a cogwheel mechanism

COMPONENTS	MATERIAL	FINISH [C]	
		RAL9005	RAL7035
Housing	Polyamide PA6 GF30	07	08
Handle			
Sliding dust cover			

How to order : **RS761.N** — **[C]**
 Type of lock _____
 Finish _____

All components to order separately for version under a cap and a cogwheel mechanism are shown in charts, check pg. 1B-21
 Patented insert to order separately, check pg 1C-1 to 1C-2.



TYPE OF LOCK RS762	RS762.N	Version for a cap
	RS762.M	Version for a cogwheel mechanism

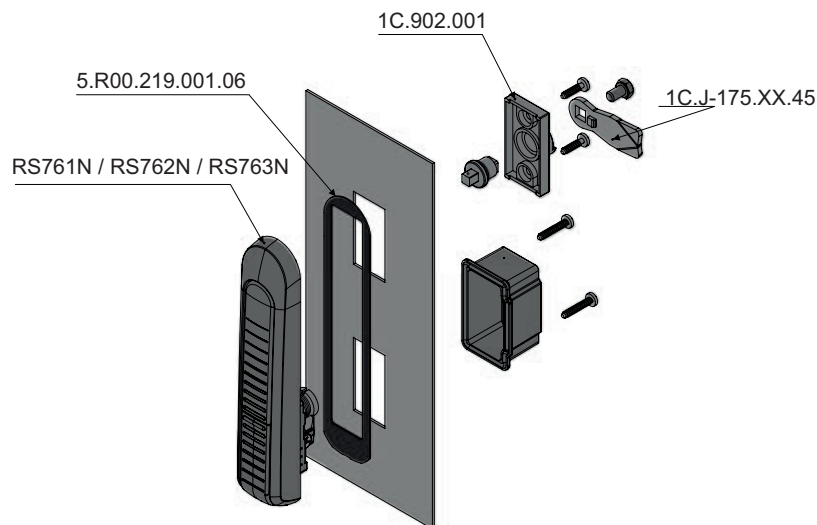
COMPONENTS	MATERIAL	FINISH [C]		Cylinder profile					
		RAL9005	RAL7035	Key code					
Housing Handle Sliding dust cover	Polyamide PA6 GF30	07	08	1333	405E	455E	1242E	2342E	Different code RK

How to order : **RS762.N** — **1333** — **[C]**

Type of lock _____
 Key code _____
 Finish _____

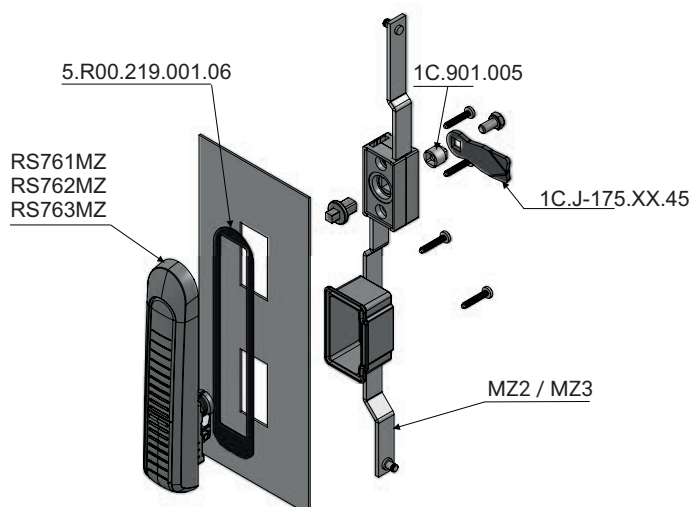
All components to order separately for version under a cap and a cogwheel mechanism are shown in charts, check pg. 1B-21

Swinghandle version for a cap



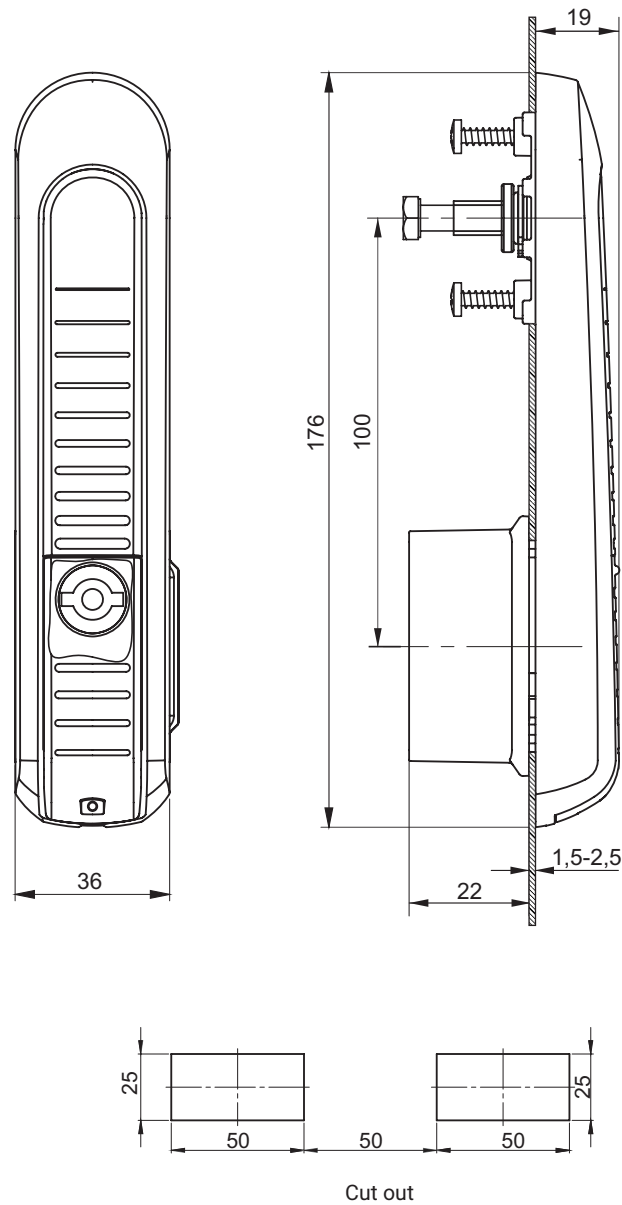
Components ordered separately		
TYPE OF LOCK	DETAIL	PAGE
RS761.N RS762.N RS763.N	Cap 1C.902.001 / 1C.902.003	1C-27
	1-point cam, group: 11, 13	1C-10, 1C-11
	2-point cam, group: 21	1C-15
	3-point cam, group: 31, 33	1C-17, 1C-18
	Rods	1C-4, 1C-5
	Rod guide	1C-6
	Gasket IP65 5.R.00.219.001.06	-

Locks for the gear mechanism



Components ordered separately		
TYPE OF LOCK	DETAIL	PAGE
RS761.M RS762.M RS763.M	Cogwheel mechanism MZ2 / MZ3	1C-30 - 1C-32
	1-point cam, group: 11, 13	1C-10, 1C-11
	Bushing 1C.901.005	1C-27
	Flat rod	1C-34 - 1C-40
	Flat rod guide and brackets	1C-6, 8, 1C-35 - 1C-40
	Gasket IP65 5.R.00.219.001.06	-

Standard lock has a class of IP54.
In case of using an additional gasket number 5.R00.219.001.06 (to be ordered separately), the lock has a class of IP65.



TYPE OF LOCK RS763	RS763.N	Version for a cap
	RS763.M	Version for a cogwheel mechanism

COMPONENTS	MATERIAL	FINISH [C]		Shaped profile						
		RAL9005	RAL7035	Inserts						
Housing	Polyamide PA6 GF30	07	08	D3	D5	T8	T9	KW8	S	N
Handle										
Sliding dust cover										

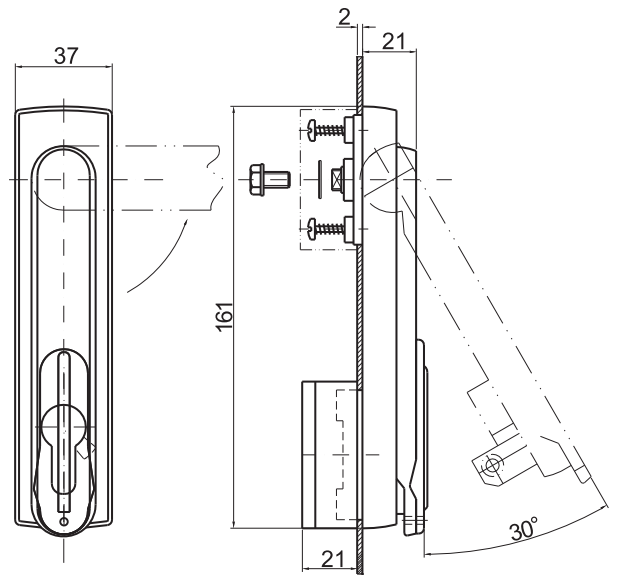
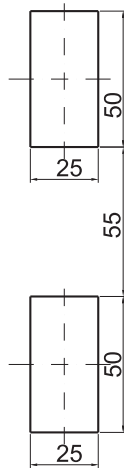
How to order : **RS763.M** — **D5** — **[C]**

Type of lock _____
 Insert _____
 Finish _____

All components to order separately for version under a cap and a cogwheel mechanism are shown in charts, check pg. 1B-21



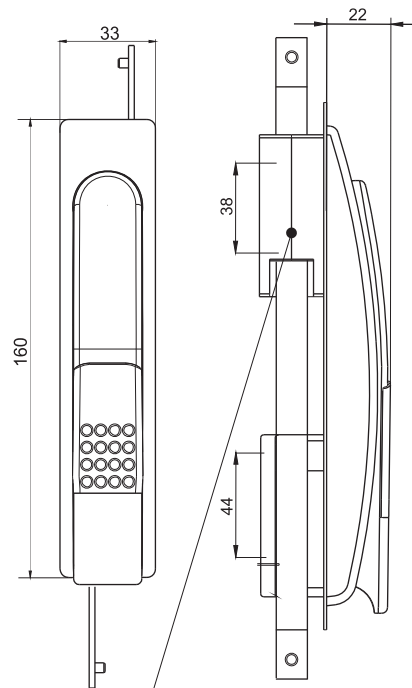
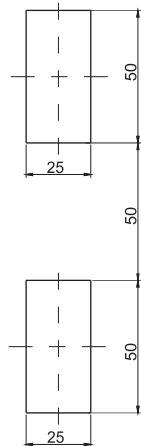
Mounting hole



TYPE OF LOCK	COMPONENTS	MATERIAL	FINISH [C]	
			RAL9005	RAL7035
RS300.N RS300.M	Body, Handle,	Polyamide PA6 GF30	07	08



Mounting hole



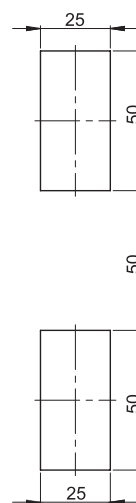
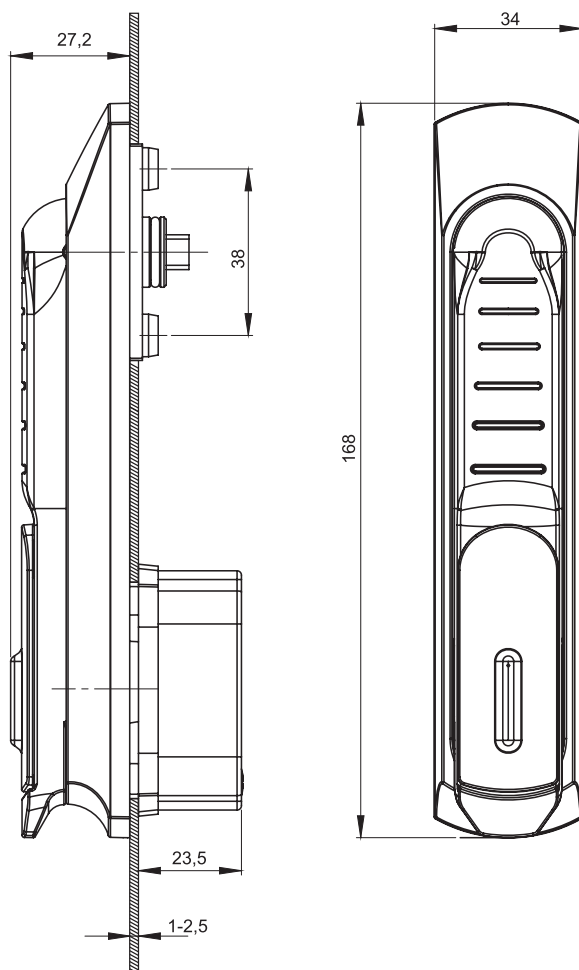
Cogwheel mechanism, page 1C-30-33

TYPE OF LOCK	COMPONENTS	MATERIAL	FINISH [C]	
			RAL9005	RAL7035
RS750.N RS750.M	Body, Handle,	Polyamide PA6 GF30	07	08

How to order :

Type of lock
Finish

RS750.M — [C]



Cut out

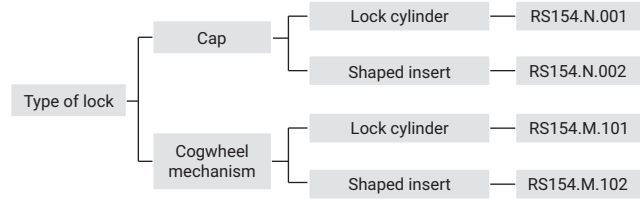
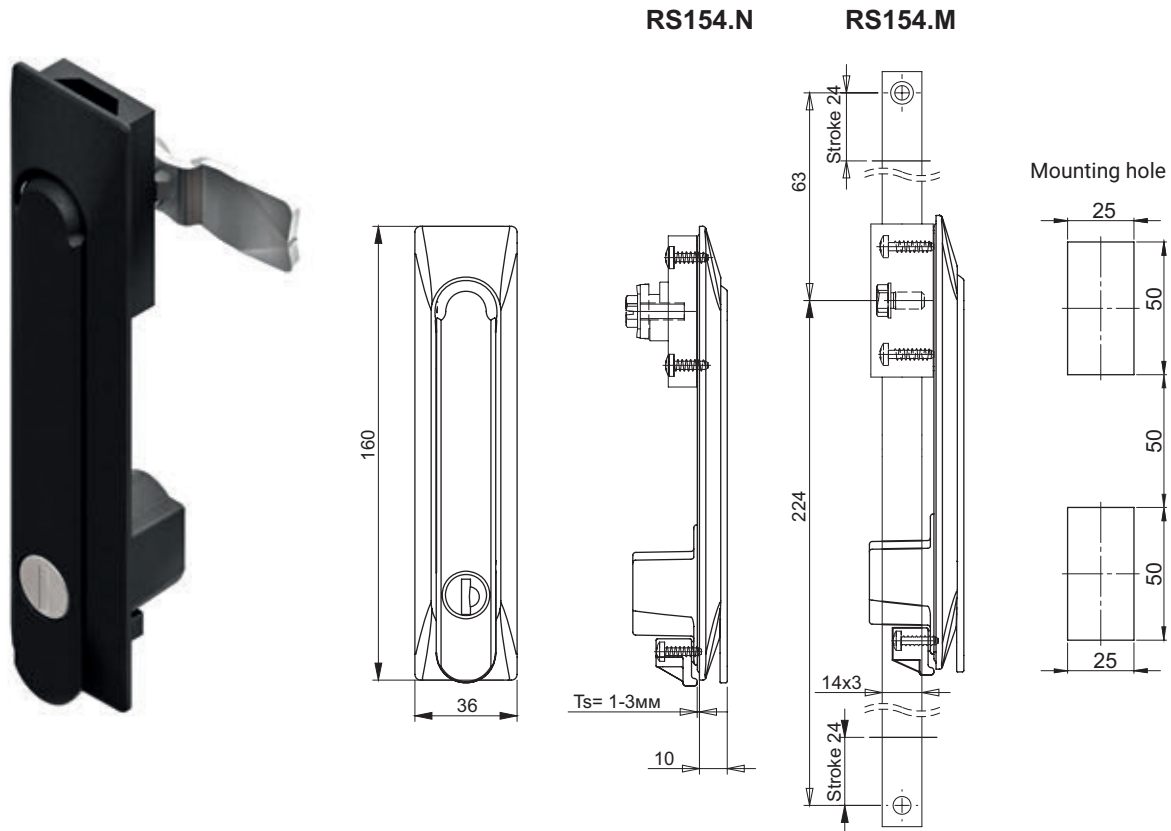


Swinghandle for Scandinavian cylinder.
Cylinder not included.

TYPE OF LOCK	VERSION	COMPONENTS	MATERIAL	FINISH [C]
				RAL 9005
RS790.N	For a cap	Housing, Handle, Sliding dust cover	Polyamide	07
RS790.M	For a cogwheel mechanism	Housing, Handle, Sliding dust cover	Polyamide	07

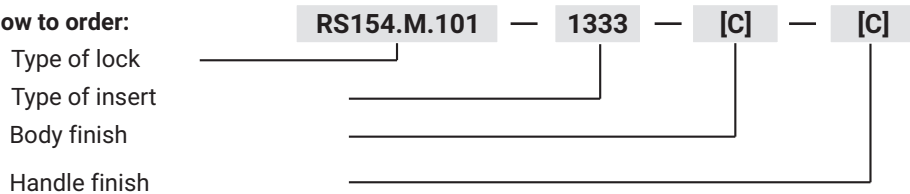
How to order :
 Type of lock: RS790.M
 Finish: [C]

All components to order separately for version under a cap and a cogwheel mechanism are shown check pg. 1C-30 - 1C-32



COMPONENTS	MATERIAL	FINISH [C]		LOCK CYLINDER		SHAPED INSERT	
		RAL 9005	RAL 7035	KEY CODE		INSERT	
Body	PA6 GF30	07	08	Different code RK	1333	T9	KW8
Handle		07	08				
Cap		07	-				
Adapter	ZAMAK	-	-				
Cogwheel mechanism	PA6 GF30	07	-				
Tie-rod MZ	Steel*	Zinc plated					

How to order:



Lock comes as a set in version for cogwheel mechanism or a cap.

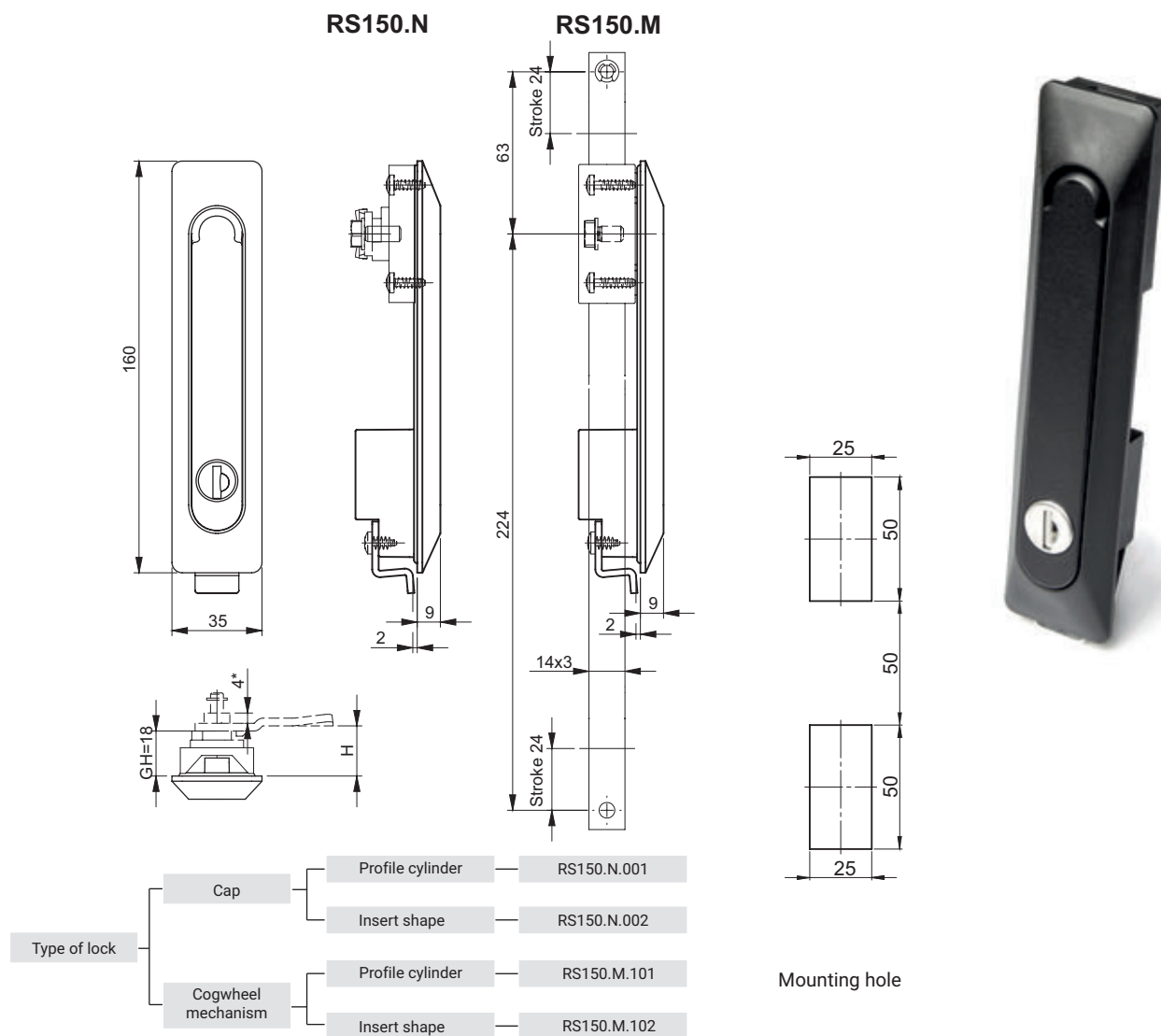
All necessary components are attached.

Additional components ordered separately, check page:

- 1 point cam (group: 11, 13)..... pg: 1C-10, 1C-11
- 2 point cam JA-20018 ver. 3 (group: 21)..... pg: 1C-15
- 3 point cam (group: 38) pg: 1C-22
- Rods..... pg: 1C-4, 1C-5-7
- Flat rod..... pg: 1C-34 to 1C-40

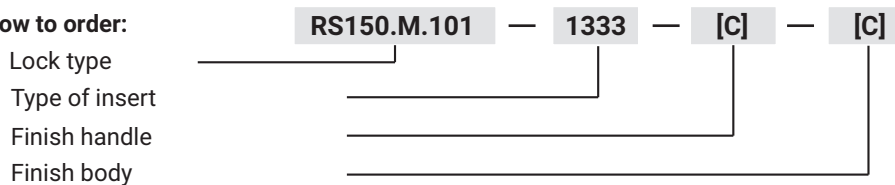
Notes:

- Ts- mounting sheet thickness
- *stainless steel tie-rod available



COMPONENTS	MATERIAL	FINISH			PROFILE CYLINDER	INSERT SHAPE		
		CHROM	RAL 9005	RAL 7035	KEY CODE	INSERT		
Body	PA6 GF30	-	07	08	Different code RK	1333	T9	KW8
Handle	ZAMAK	01	04	05				
Cap	PA6 GF30	-	07	-				
Cam adapter	ZAMAK	-	-	-				
Cogwheel mechanism	PA6 GF30	-	07	-				
Tie-rod MZ	Steel	Zink plated						

How to order:



Lock comes in a set in version for cogwheel mechanism and for a cap.

All components for assembly are attached in a set.

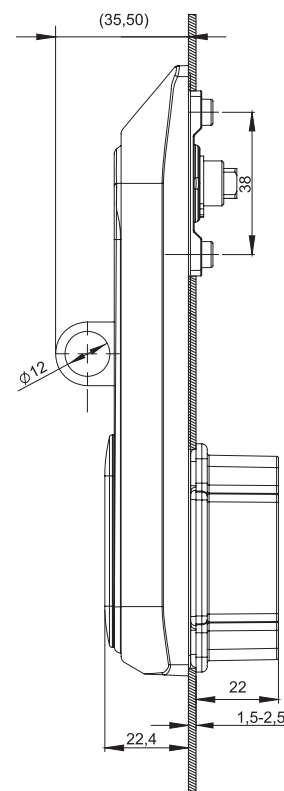
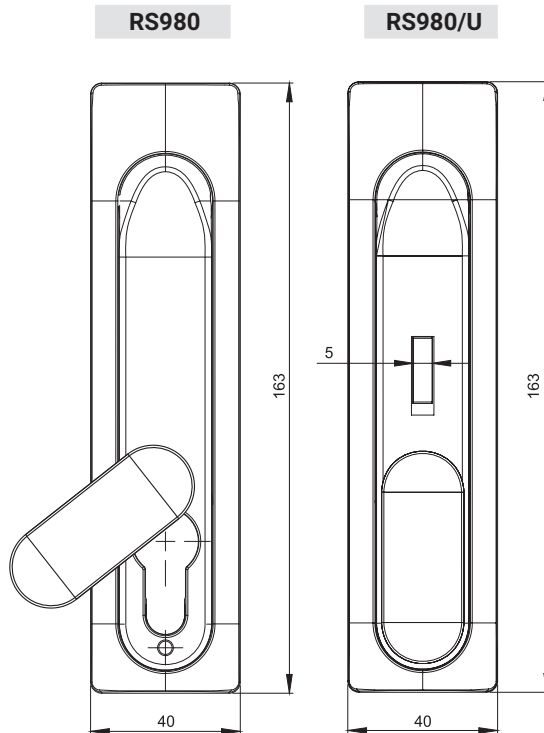
Additional components ordered separately, check page:

- 1 point cam (group: 11, 13)..... pg: 1C-10, 1C-11
- 2 point cam JA-20018 ver. 3 (group: 21)..... pg: 1C-15
- 3 point cam (group: 38)..... pg: 1C-22
- Rods..... pg: 1C-4, 1C-5-7
- Flat rods..... pg: 1C-34 to 1C-40

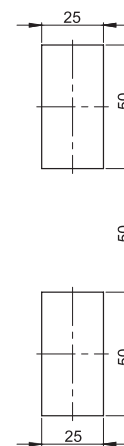
Tie-rods of cogwheel mechanism available in stainless steel



RS980



RS980/U



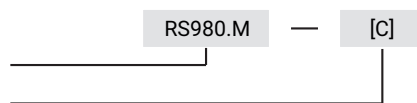
Cut out

Swinghandle in accordance with RC2 ENV 1630 standard
 The lock has the **security level** in accordance with **DIN EN 50102**
 The handle and housing **resistant to strain**.
 Lock has a protection class IP 65
 Lock from material ZAMAK 5
 Patented insert to order separately, check pg. 1C-1, 1C-2

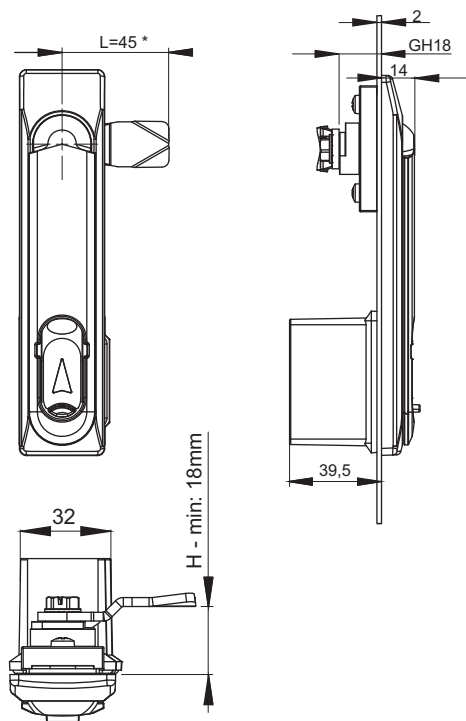
TYPE OF LOCK	VERSION	COMPONENTS	MATERIAL	FINISH [C]
				RAL 9005
RS980.N	For a cap	Housing, Handle, Sliding dust cover	ZAMAK	04
RS980/U.N		Housing, Handle, Sliding dust cover, Padlock device		
RS980.M	For a cogwheel mechanism	Housing, Handle, Sliding dust cover	ZAMAK	04
RS980/U.M		Housing, Handle, Sliding dust cover, Padlock device		

How to order :

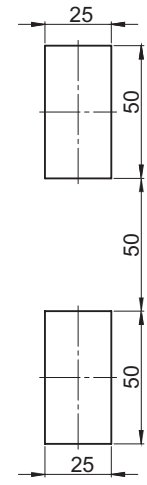
Type of lock
 Finish



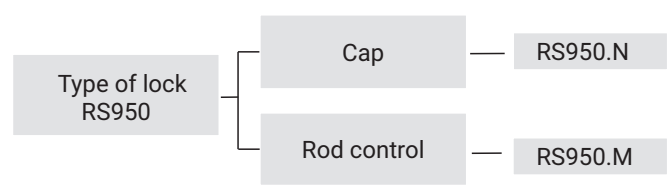
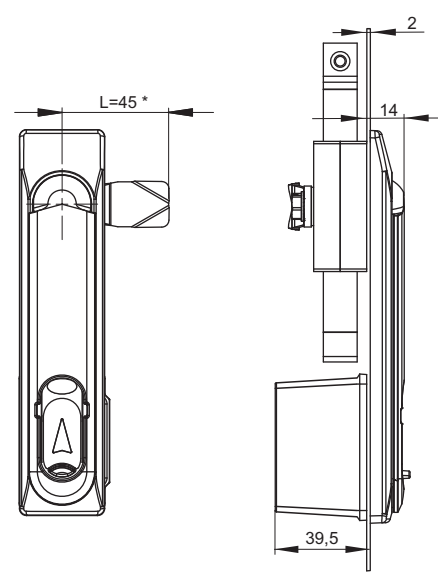
Version N



Mounting hole

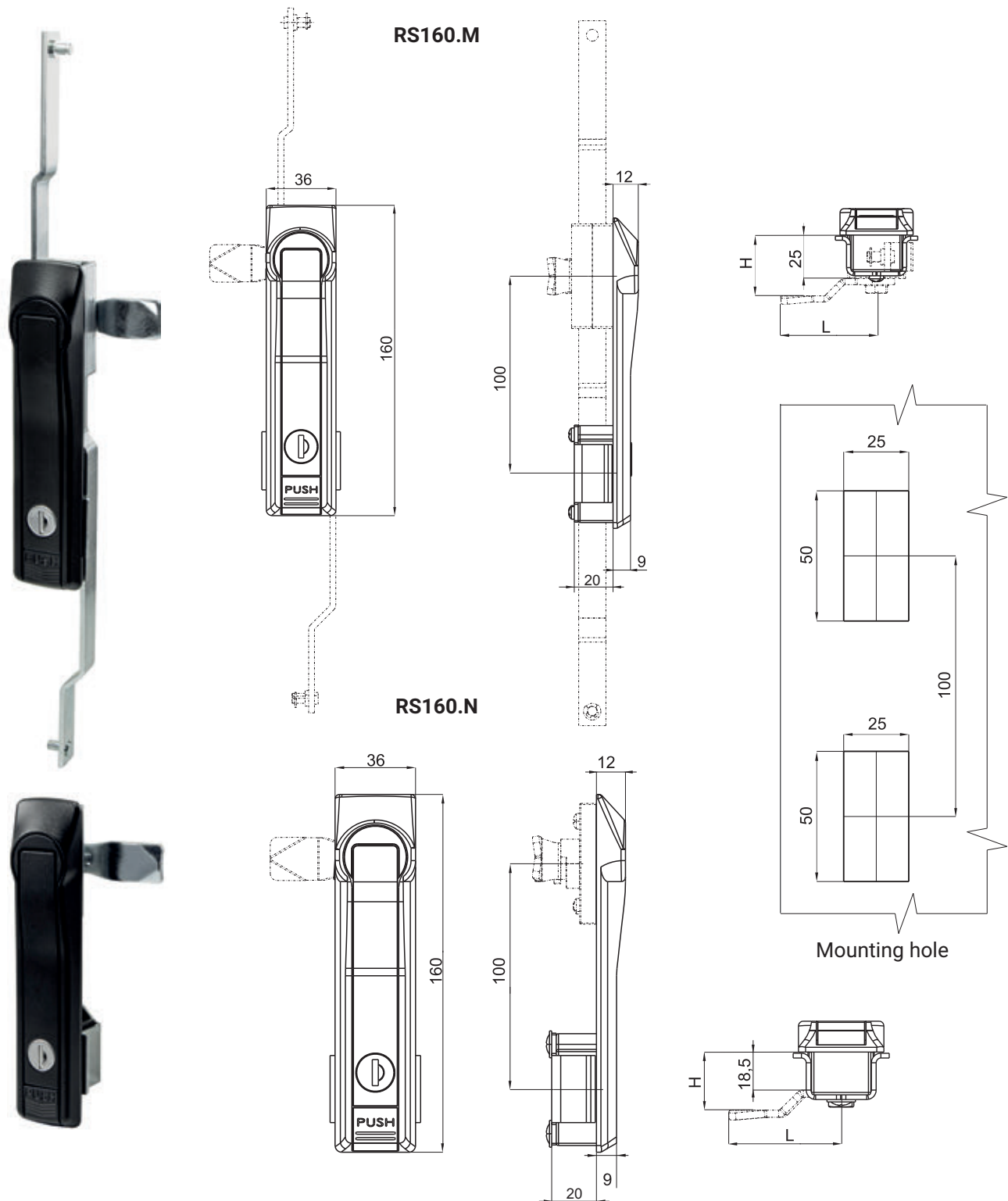


Version M



TYPE OF LOCK	COMPONENTS	MATERIAL	FINISH [C]
			RAL9005
RS950	Body, Handle	ZAMAK5	04

How to order : **RS950.N** — **[C]**
 Type of lock —
 Finish —



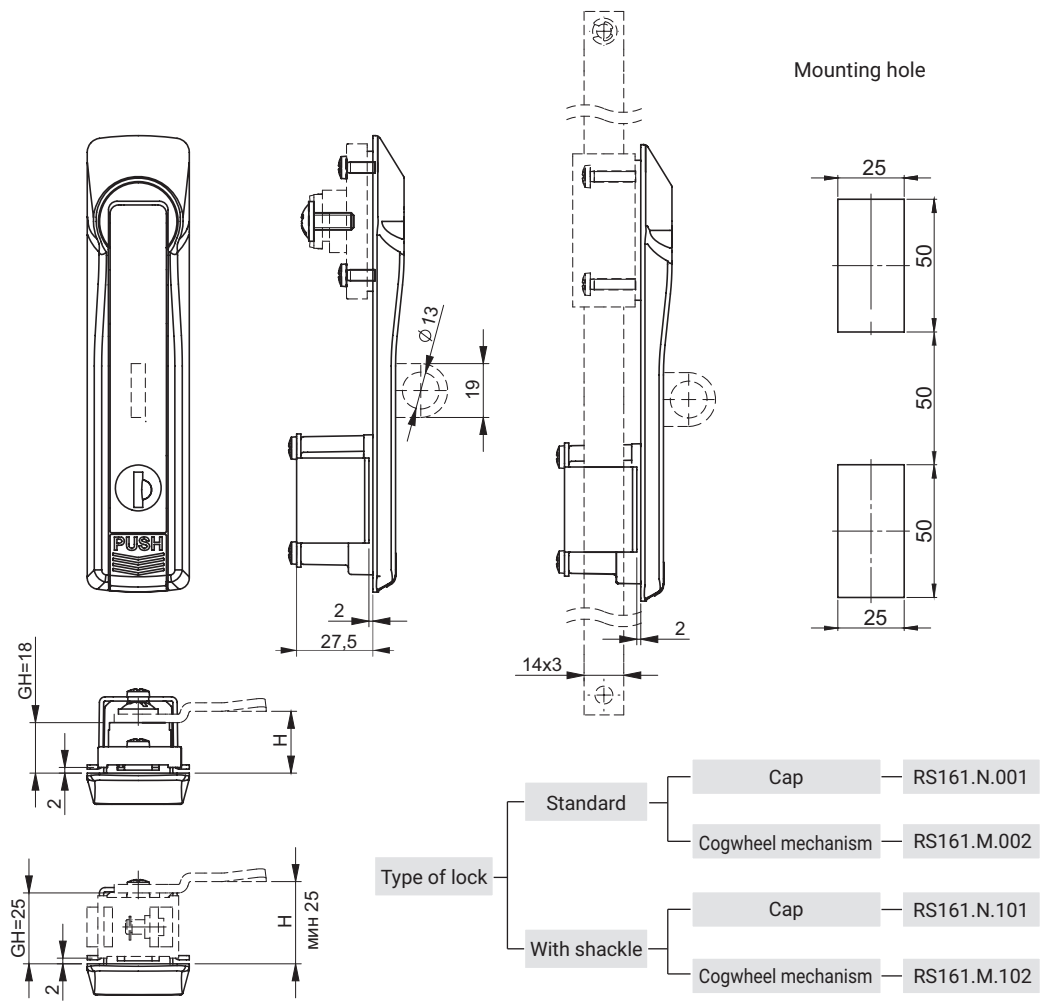
TYPE OF LOCK	COMPONENTS	MATERIAL	FINISH [C]	
			Chrome	RAL 9005
RS160.N	Body	Polyamide	-	07
RS160.M	Handle	ZAMAK5	01	04

How to order :
 Type of lock
 Finish body
 Finish handle



RS161.N

RS161.M



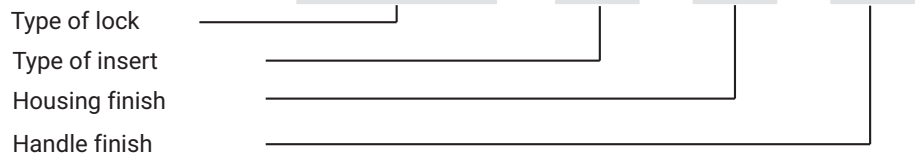
Standard version



Version with shackle

COMPONENTS	MATERIAL	FINISH [C]			LOCK CYLINDER	
		CHROME	RAL 9005	CHROME SATYNA	KEY CODE	
Body	ZAMAK5	01	04	09	Different code RK	1333
Handle		01	04	09		
Clamp*	Steel	O cynk galwaniczny				

How to order:

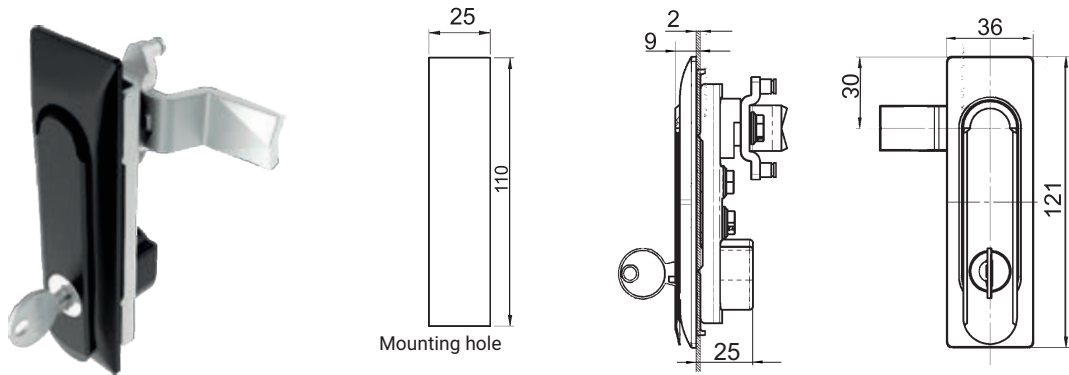


Additional components ordered separately check page:

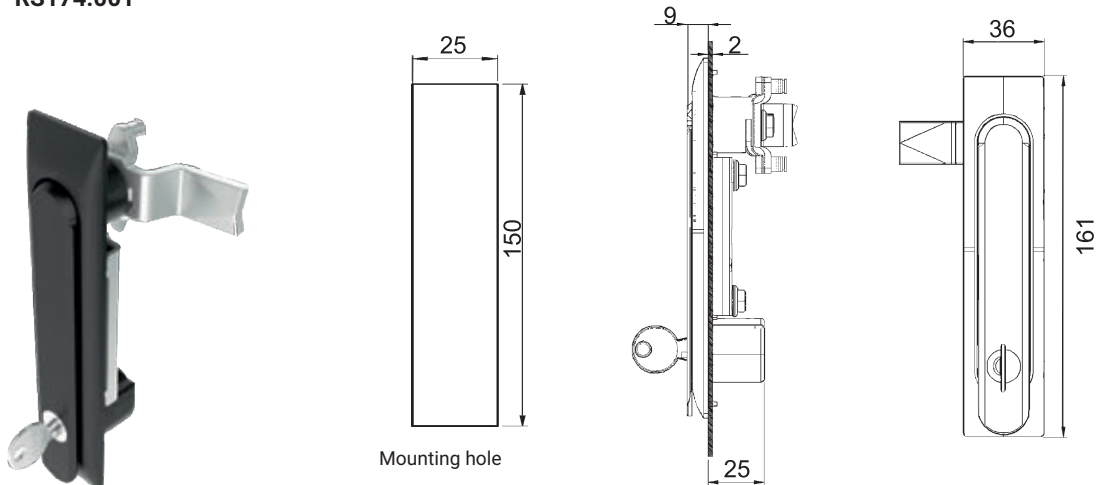
- Cap 1C.902.001.....pg: 1C-27,
- Cogwheel mechanism MZ2, MZ3.....pg: 1C-30 to 1C-33,
- Cam adapter 1C.903.001.....pg: 1C-27,
- 1 point cam (group: 11, 13).....pg: 1C-10, 1C-11,
- Rods.....pg: 1C-4, 1C-5, 1C-7
- Flat rods.....pg: 1C-34 to 1C-40

Notes:

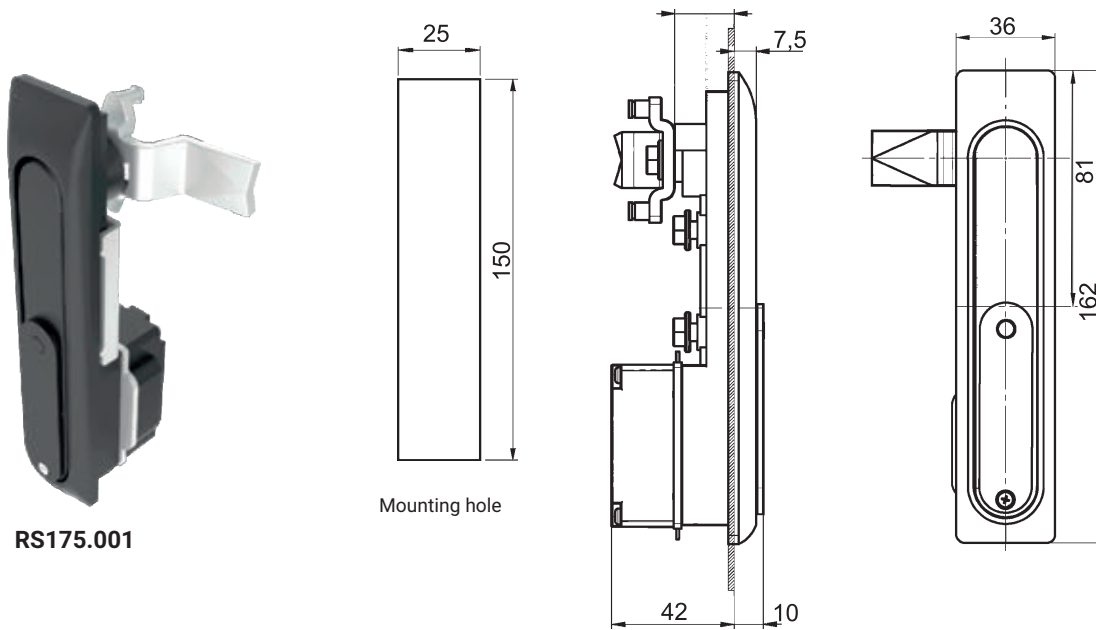
Lock RS161MZ is compatible with cogwheel mechanism MZ2 and MZ3.
 While using 1 point cam with cogwheel mechanism ordering cam adapter (1C.903.001) (pg 1C-27) and screw M6X23 is a necessity.
 * Stainless steel available.



RS174.001



RS174.002



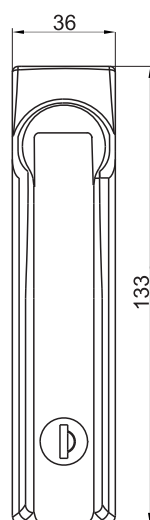
RS175.001

TYPE OF LOCK	COMPONENTS	MATERIAL	FINISH [C]
			RAL 9005
RS174.001 RS174.002 RS175.001	Body, Handle	ZAMAK	04

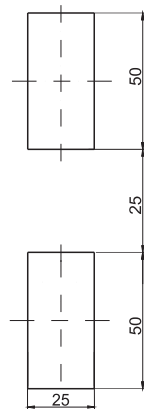
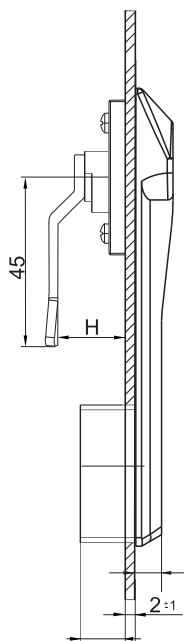
How to order :

Type of lock
Finish

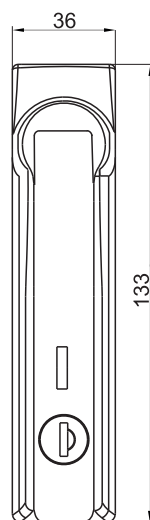
RS174.002 — [C]



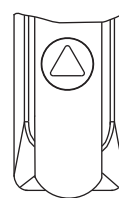
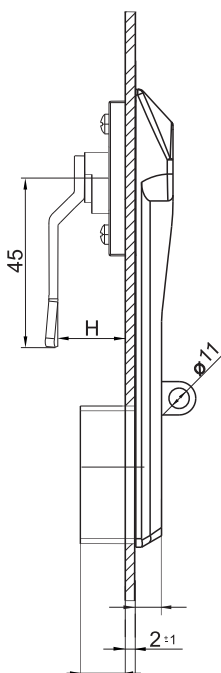
RS168
(without pin)



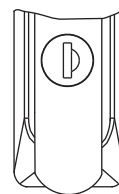
Mounting hole



RS168/B
(with pin)



Version B



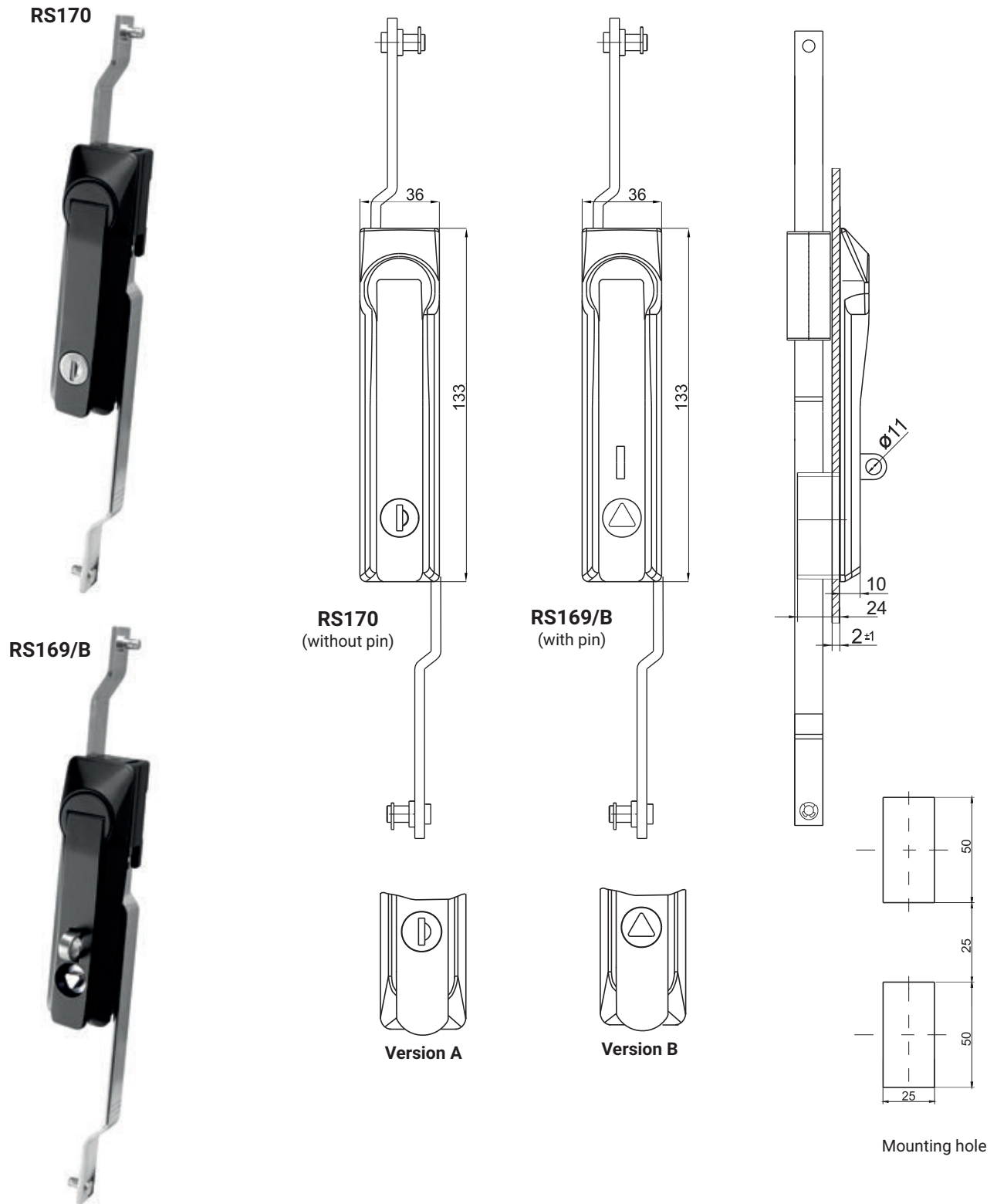
Version A



TYPE OF LOCK	COMPONENTS	MATERIAL	VERSION		FINISH [C]
					RAL 9005
RS168 RS168B	Body, Handle	ZAMAK	A	B	04

How to order :
 Type of lock
 Lock version
 Finish

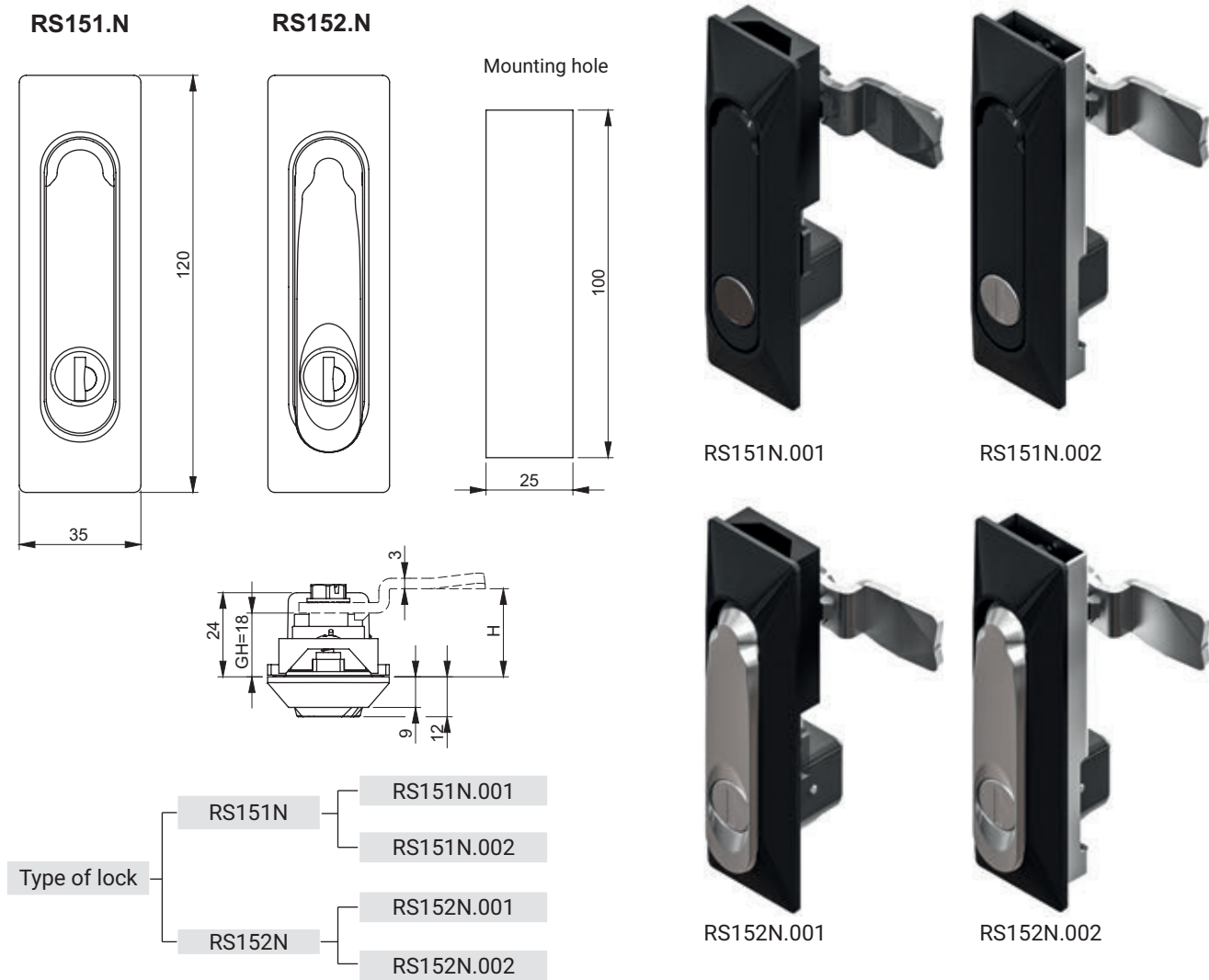




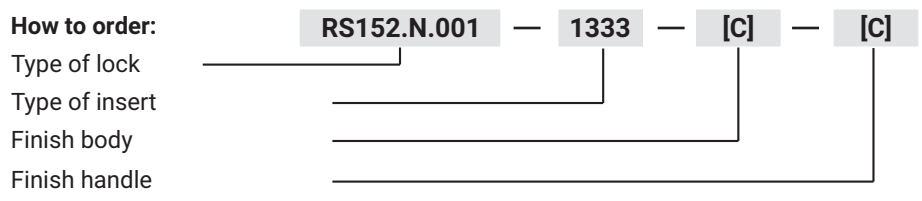
TYPE OF LOCK	COMPONENTS	MATERIAL	VERSION	FINISH [C]
				RAL 9005
RS169B RS170	Body, Handle	ZAMAK	A B	04

How to order :
 Type of lock
 Lock version
 Finish



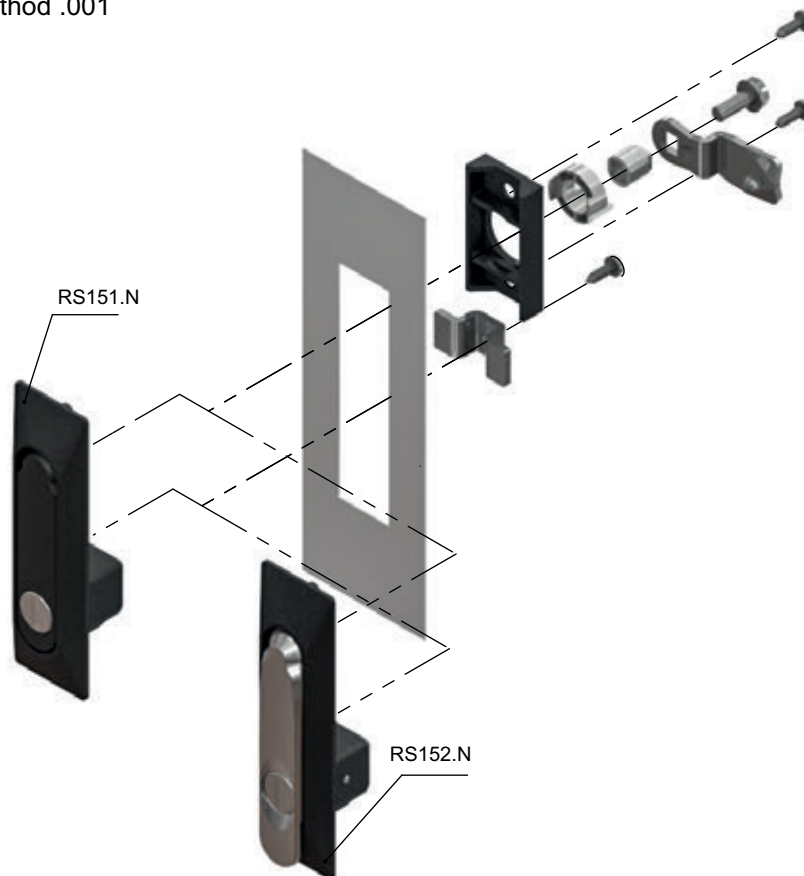


COMPONENTS	MATERIAL	FINISH [C]			LOCK CYLINDER	SHAPED INSERT		
		CHROME	RAL 9005	RAL 7035				
Body	PA6 GF30	-	07	08	KEY CODE		INSERT	
Handle RS151	PA6 GF30	-	07	08	Different code RK	1333	T9	KW8
Handle RS152	ZAMAK	01	04	05				
Cam adapter 1C.903.003	ZAMAK	-	-	-				
Cap 1C.902.005	PA6 GF30	-	07	-				
Mounting components	Steel zinc plated							

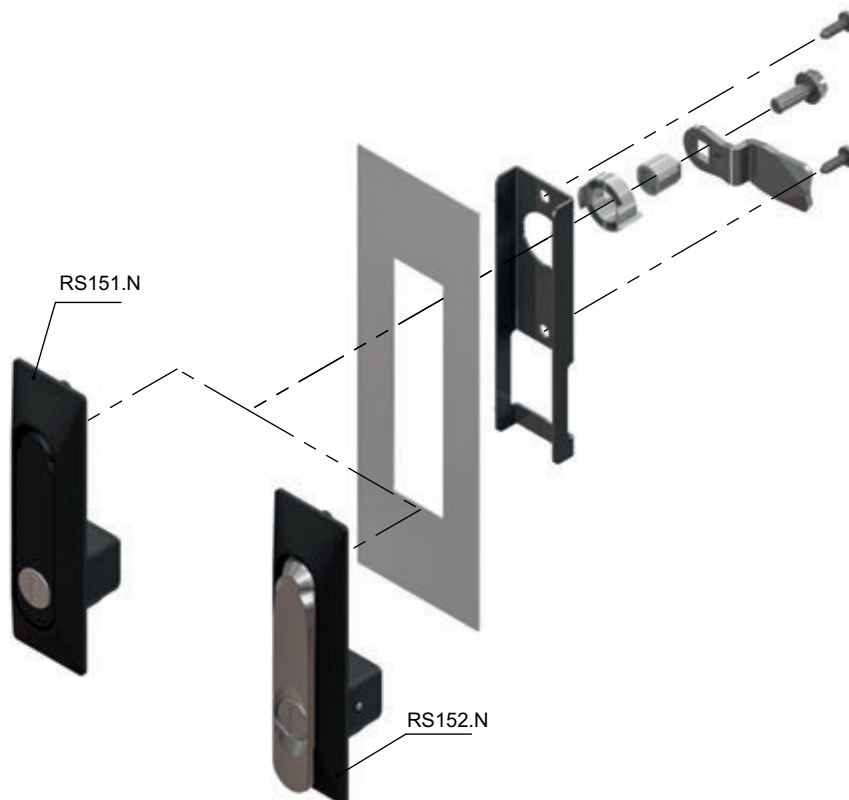


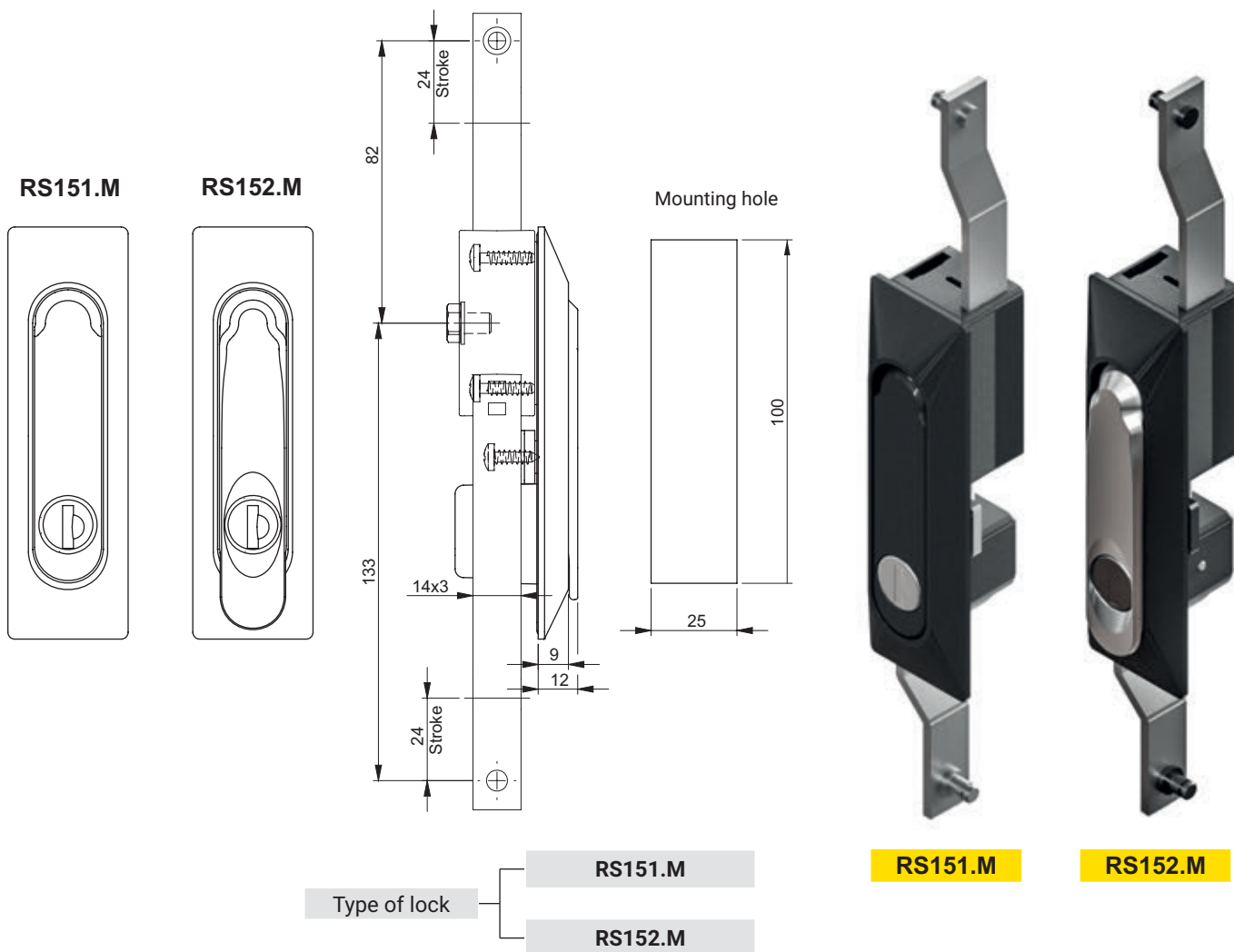
All necessary components are attached with a set.
 For locks RS151N and RS152N CAMS to be ordered separately:
 - 1 point cam (group: 11, 13).....pg: 1C-10, 1C-11

Mounting method .001

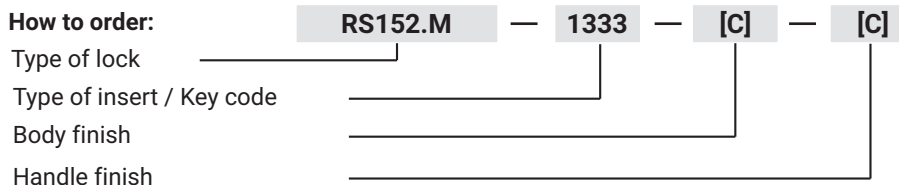


Mounting method .002



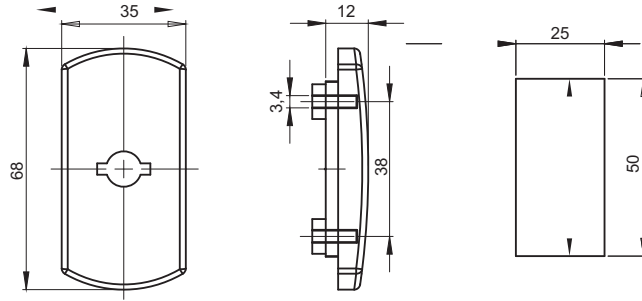


COMPONENTS	MATERIAL	FINISH [C]			CYLINDER LOCK	SHAPED INSERT	
		CHROME	RAL 9005	RAL 7035			
Body	PA6 GF30	-	07	08	KEY CODE		INSERT
Handle RS151	PA6 GF30	-	07	08	Different code RK	1333	T9 KW8
Handle RS152	ZAMAK	01	04	05			
Cap MZ	PA6 GF30	-	07	-			
Tie-rod MZ	Steel zink plated						
Mounting components	Steel zink plated						



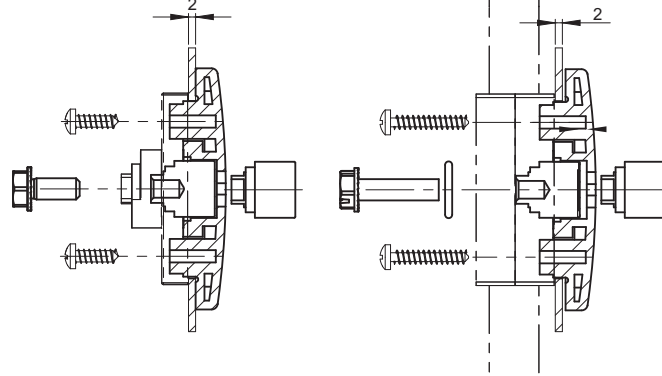
All necessary components are attached with a set.
 Additional components ordered separately check page:
 - Rods.....pg: 1C-4, 1C-5, 1C-7
 - Flat rods.....pg: 1C-34 TO 1C-40.
 * Chrome finish available only for RS152.N (metal handle-ZAMAK5).

RW100.N

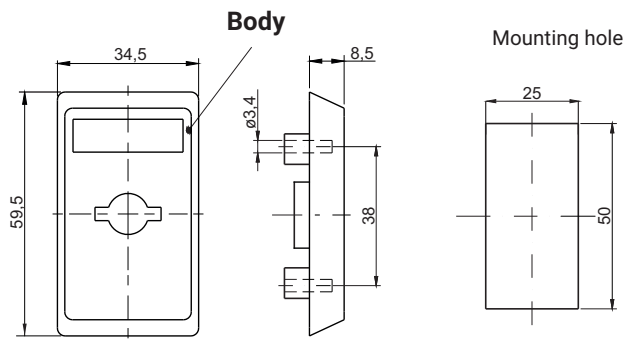


RW100.N
(Used with Cap)

RW100.M
(Used with Cogwheel mechanism)

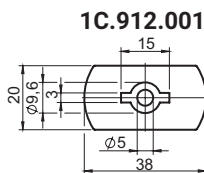
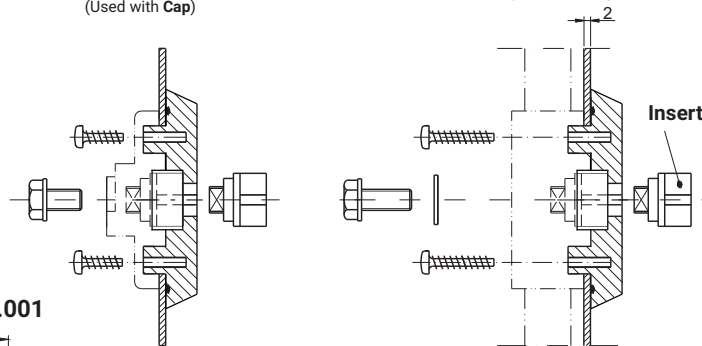


RW110.N



RW110.N ...
(Used with Cap)

RW110.M ...
(Used with Cogwheel mechanism)



Protective cover compatible with locks: RW100, RW110, RW400

NOTE:
Additional components
of locks:
RW100.N, RW100.M,
RW110.N, RW110.M,
on pages: 1A-5, 1A-6.

TYPE OF LOCK	COMPONENTS	MATERIAL	FINISH [C]
			RAL 9005
RW100.N, RW100.M RW110.N, RW110.M	Body	Polyamide PA6 GF30	07
1C.912.001	Protective cover	Polyamide	07

How to order :

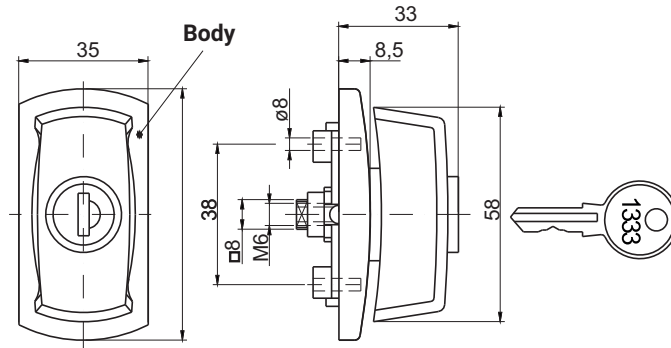
Type of lock

Finish

RW110.N — **[C]**

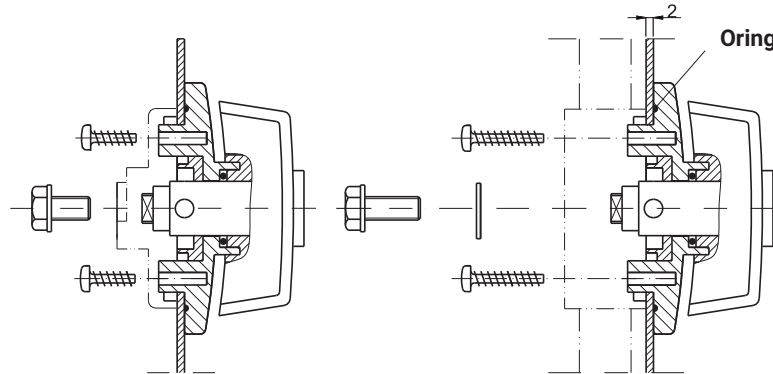
| Swinghandles

www.roztocze.eu



RW200.N ...
(Used with Cap)

RW200.M ...
(Used with Cogwheel mechanism)

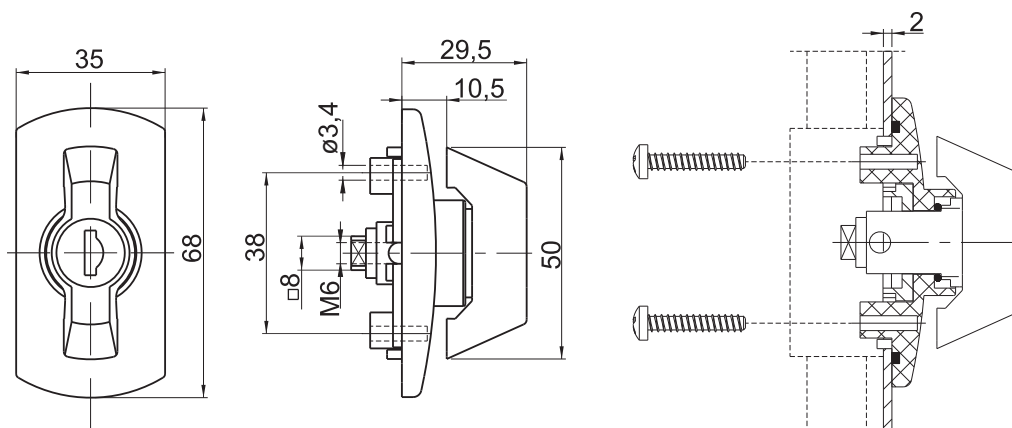


NOTE:
Additional components
of locks:
RW200.N, RW200.M,
on pages: 1A-5, 1A-6.

TYPE OF LOCK	COMPONENTS	MATERIAL	FINISH [C]
RW200.N RW200.M	Body	Polyamide PA6 GF30	RAL 9005
			07

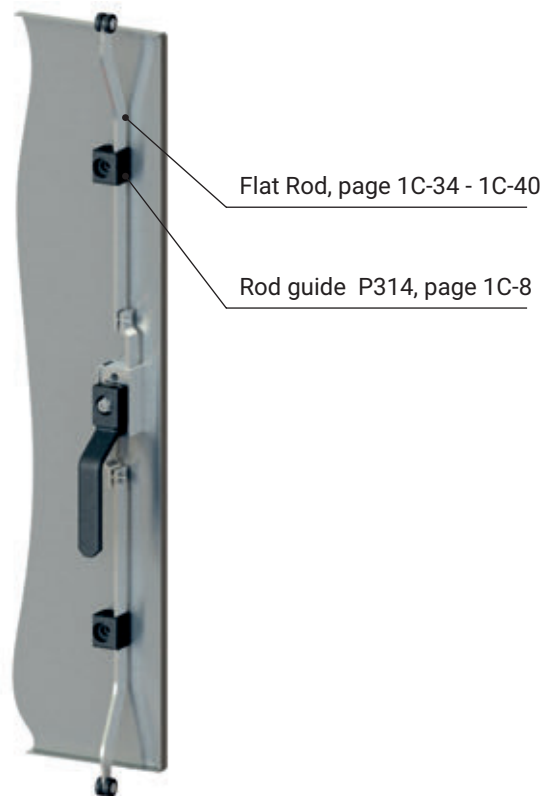
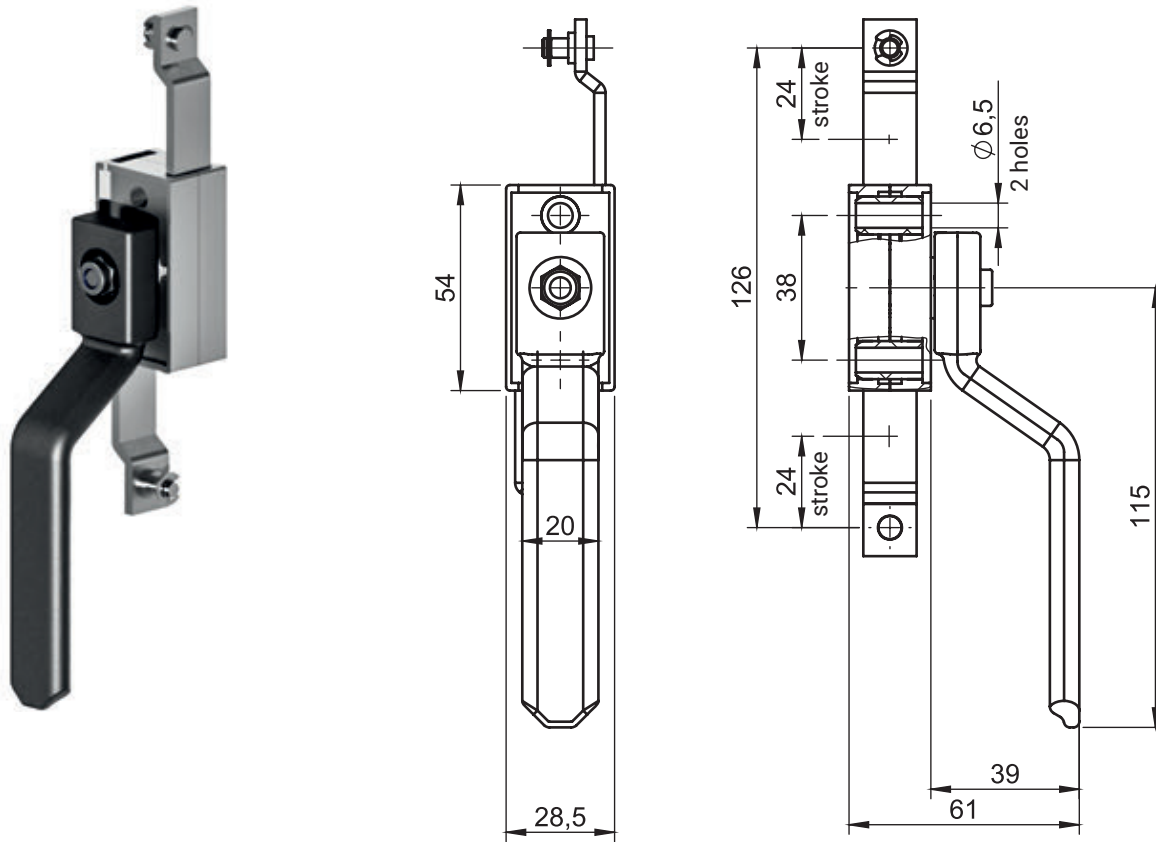
How to order :
Type of lock **RW110.N** — **[C]**
Finish

WING-KNOB LOCK RW500



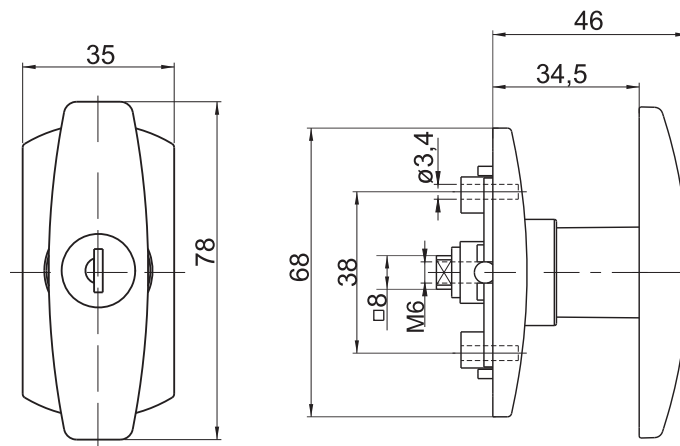
TYPE OF LOCK			COMPONENTS	MATERIAL	FINISH [C]
Insert code1333	Different code	No insert			RAL 9005
1B.RW500.001	1B.RW500.002	1B.RW500.003	Body	Polyamide PA6 GF30	07
			Knob	ZAMAK	04

MZ1-DB.002, MZ1K-DB.002, MZ1P-DB.002



CATALOGUE NUMBER	VERSION	COMPONENTS	MATERIAL
MZ1-DB.002	Retaining washers protection	The body of the mechanism	ZAMAK
MZ1K-DB.002	Square protection	Tie-rod	Stal ocynkowana
MZ1P-DB.002	Shape protection	Inner handle	Poliamid

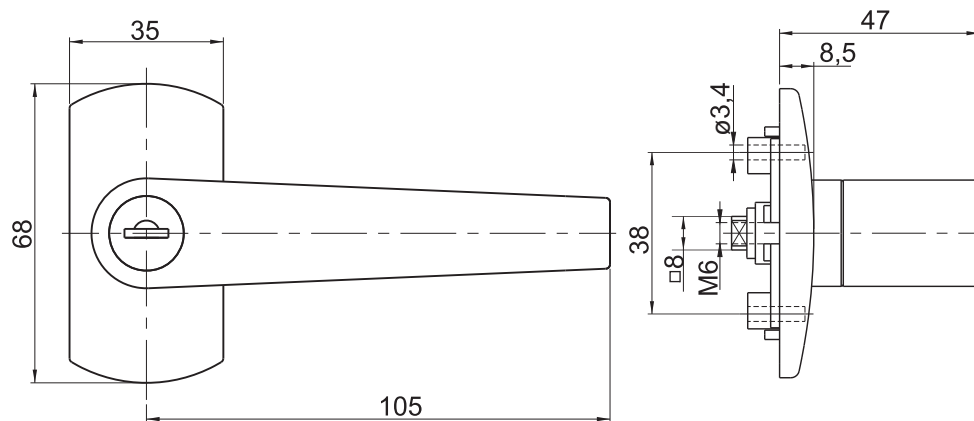
T-HANDLE LOCK RW510



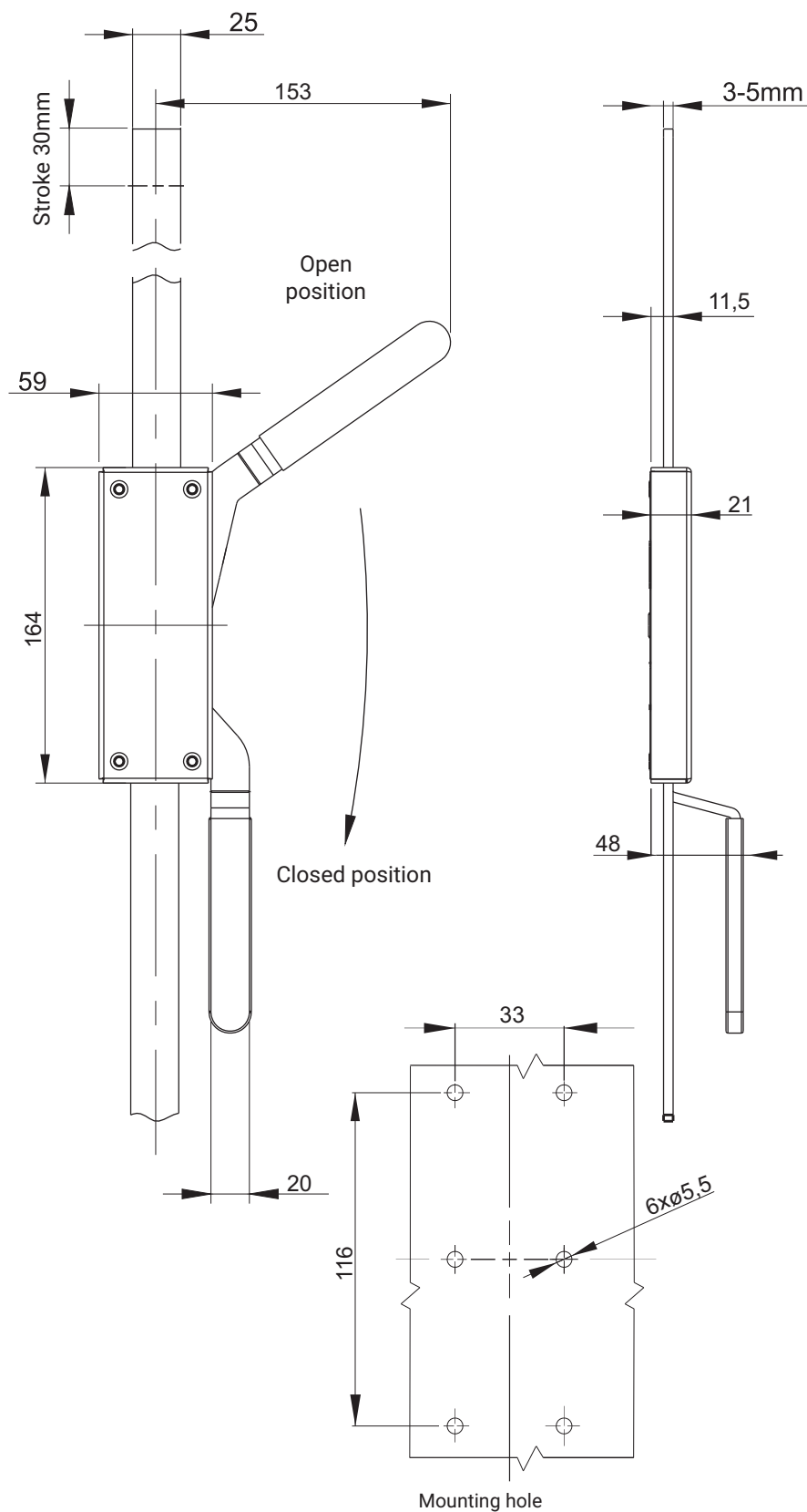
TYPE OF LOCK			COMPONENTS	MATERIAL	FINISH [C]
Insert code1333	Different code	No insert			RAL 9005
1B.RW510.001	1B.RW510.002	1B.RW510.003	Body	Polyamide PA6 GF30	07
			Handle T	ZAMAK	04

How to order : **1B.RW510.001** — **[C]**
 Type of lock _____
 Finish _____

L-HANDLE LOCK RW520



TYPE OF LOCK			COMPONENTS	MATERIAL	FINISH [C]
Insert code1333	Different code	No insert			RAL 9005
1B.RW520.001	1B.RW520.002	1B.RW520.003	Body	Polyamide PA6 GF30	07
			Handle L	ZAMAK	04



NOTE: Possibility of ordering lock with locking rods

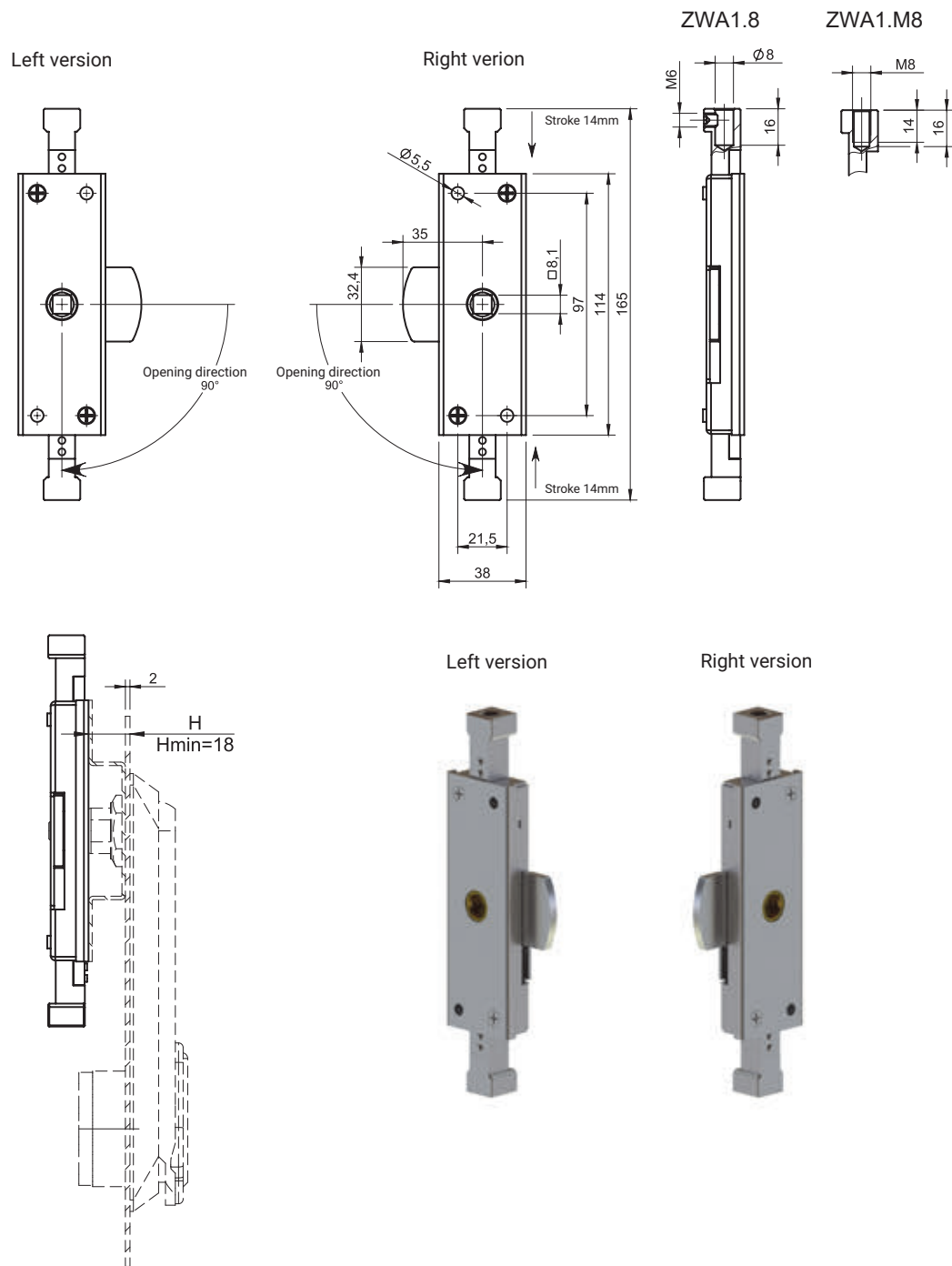
CAT. NUMBER	NAME	MATERIAL
1B.530.001 - Right	Internal Lock ZWDB	Steel zinc plated
1B.530.002 - Left		

1B-41

| Swinghandles

www.roztocze.eu

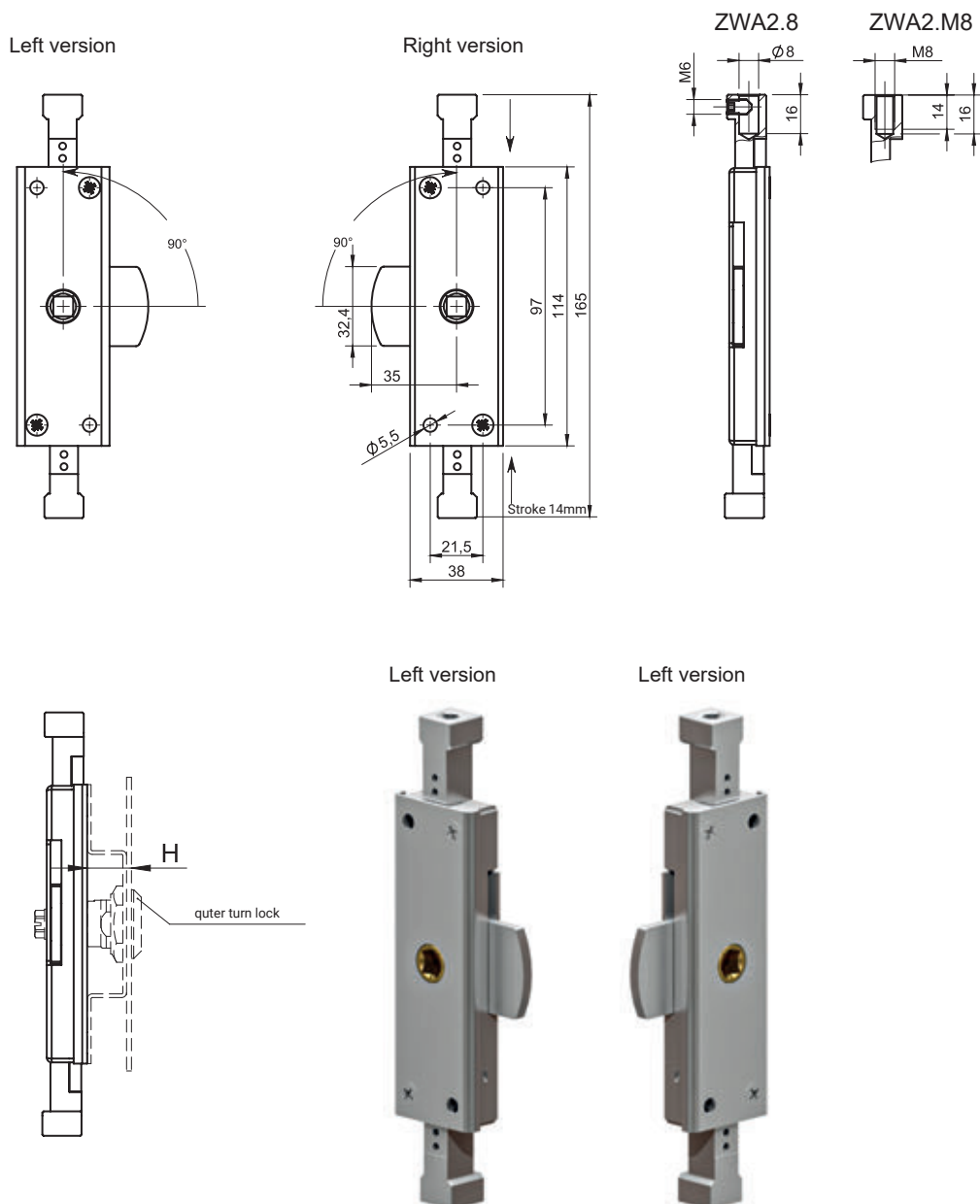
ZWA1 lock driven by a swinghandle



Lock ZWA1 works with the swinghandle RS130, page 1B-8 and with the swinghandle RS200, page 1B-3.
When ordering the RS lock to cooperate with the ZWA1 lock, add the end of ZWA1 to the catalogue number of the RS lock

CAT. NUMBER	VERSION	METHOD OF ATTACHING THE ROD	MATERIAL
1B.ZWA1.8.101	Right	Hole $\varnothing 8$	Steel zinc plated
1B.ZWA1.M8.101		Threaded hole m8	
1B.ZWA1.8.102	Left	Hole $\varnothing 8$	
1B.ZWA1.M8.102		Threaded hole m8	

ZWA2 lock driven by a quarter turn lock

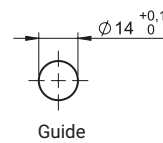
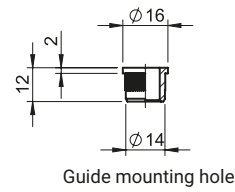
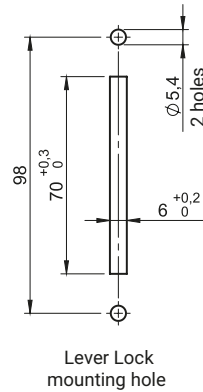
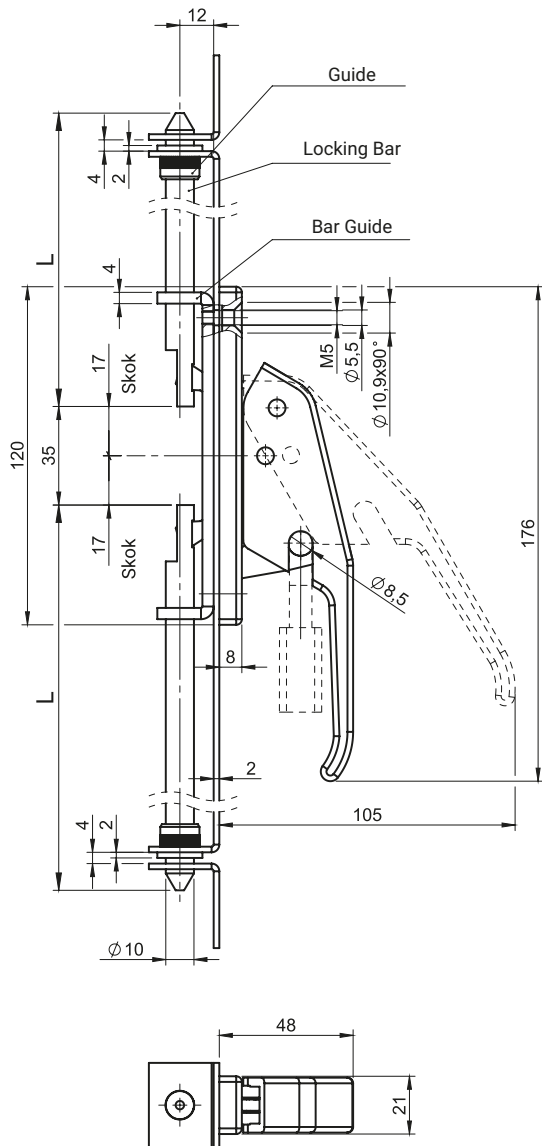


ZWA2 lock works with quarter turn locks M22-2, M22-30, M22-40, M22-60, 2.L, 2.T, 2.PM.
 The height H is equal to the height GH of the lock used.
 When ordering a quarter turn lock which is to cooperate with the ZWA2 lock, the ZWA2 end-piece should be added to the catalogue number of the lock.

DRIVE LOCK	HEIGHT H [mm]
M22-3, 2.L18, 2.T18, 2.PM18	18
M22-30, 2.L30, 2.T30 2.PM30	30
M22-40, 2.L40, 2.T40, 2.PM40	40
M22-60, 2.L60, 2.T60, 2.PM60	60

CAT. NUMBER	VERSION	METHOD OF ATTACHING THE ROD	MATERIAL
1B.ZWA2.8.201	Right	Hole ø8	Steel zinc plated
1B.ZWA2.M8.201		Threaded hole m8	
1B.ZWA2.8.202	Left	Hole ø8	
1B.ZWA2.M8.202		Threaded hole m8	

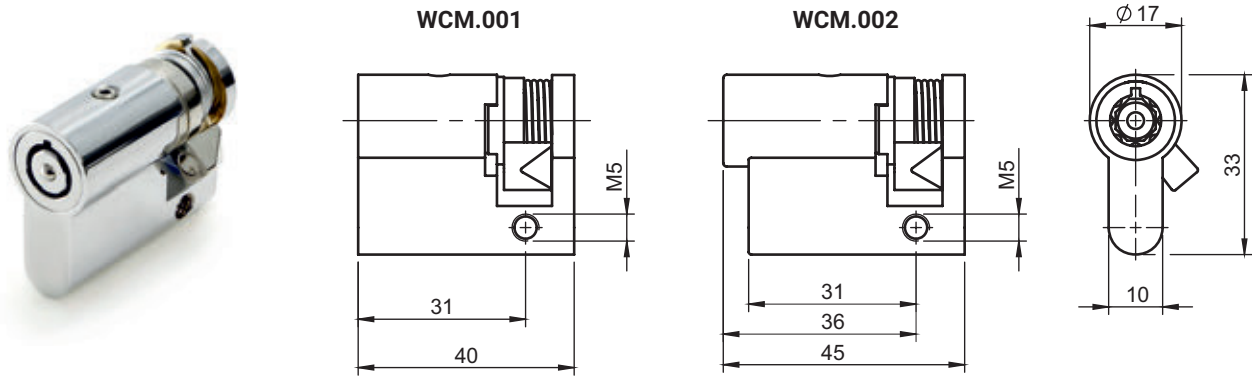
Lever Lock 1B.ZD100



CATALOGUE NUMBER	COMPONENTS	MATERIAL	FINISH [C]
			RAL 9005
1B.ZD100.001	Lever Lock	Aluminum	04
	Bar Guide	Zinc plated steel	-
1B.ZD100.001.06	Locking Bar $\phi 10$	Zinc plated steel	-
1B.ZD100.001.07	Guide	Brass	-

When ordering the locking bar 1B.ZD100.001.06 please specify the length L.

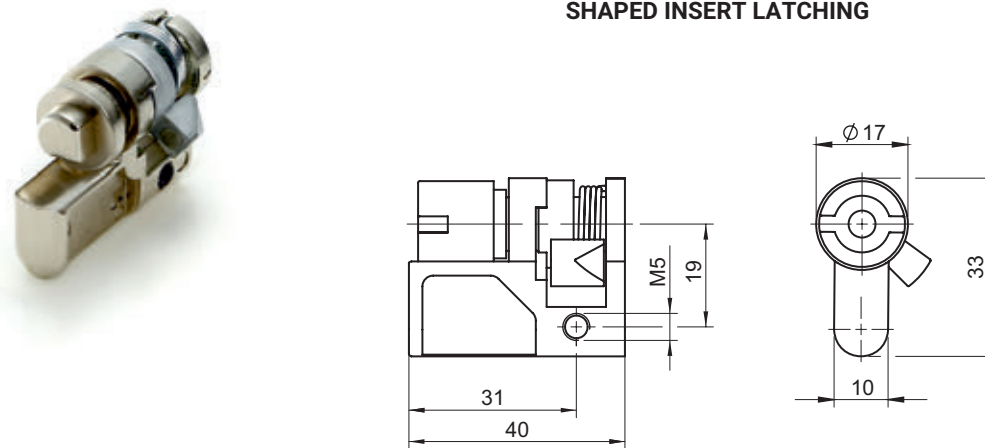
The lock cylinder with radial pins type WCM



The key can be removed only from the locked position

CATALOGUE NO.	KEY TYPE	MATERIAL
WRS-WCM.001	WCM	ZAMAK
WRS-WCM.002		

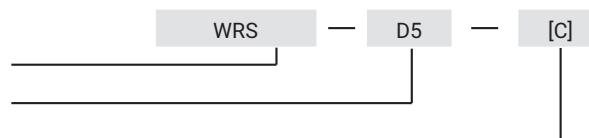
SHAPED INSERT LATCHING



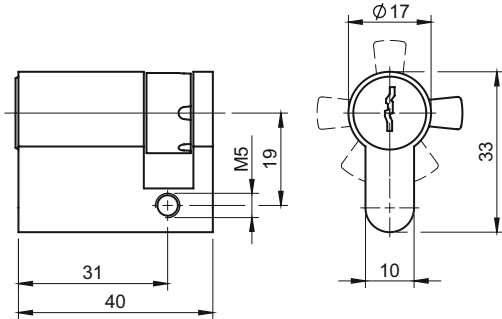
TYPE OF INSERT [X]														
D3	D5	T6	T7	T9	T10	T13i	KW6	KW7	KW8	S	N	C9	L	D13
CATALOGUE NO.		MATERIAL			FINISH [C]									
WRS-X		ZAMAK			Nickel		Galvanized							
					02		03							

How to order:

Type of lock
Type of insert
Finish

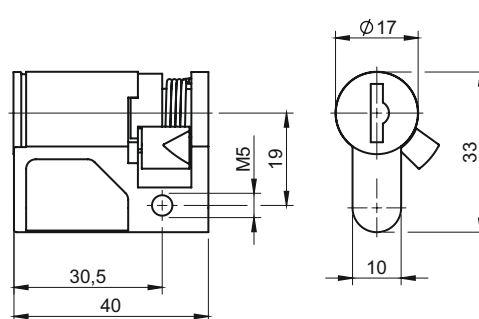


**LOCK CYLINDER
WRS-B.001**



NOTE:
Profile cylinder can be ordered with one or different key codes.

**SELF-LOCKING CYLINDER
WRS-P.001**

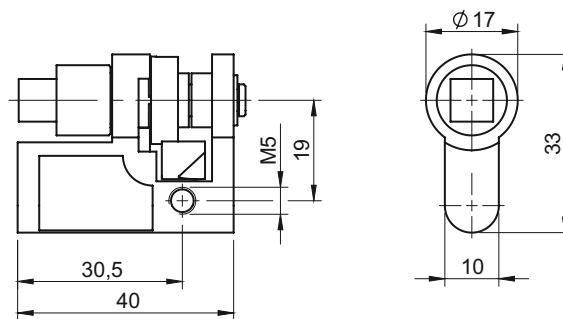


NOTE:
Profile cylinder can be ordered with one or different key codes.



CAT. NUMBER	KEY CODE	MATERIAL	FINISH [C]
WRS-B.001 - JK	Key alike	Brass	-
WRS-B.001 - RK	Different code		
WRS-P.001 - 1333	Code 1333	ZAMAK	Nickel
WRS-P.002 - 405E	Code 405E		
WRS-P.002 - 455E	Code 455E		
WRS-P.002 - 1242E	Code 1242E		
WRS-P.002 - 2342E	Code 2342E		

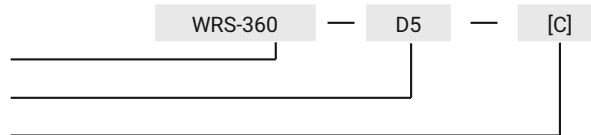
**Shaped insert rotated by 360°
WRS-360**



TYPE OF INSERT [X]															
D3	D5	T6	T7	T9	T10	T13i	KW6	KW7	KW8	S	N	C9	L	D13	
CATALOGUE NO.		MATERIAL			FINISH [C]										
WRS-360-X		ZAMAK			Nickel		Galvanized								
					02		03								

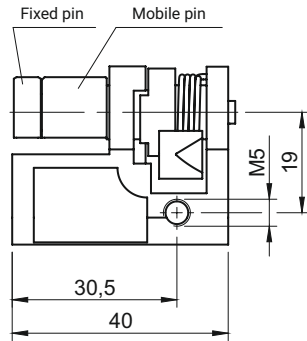
How to order:

Type of lock
Type of insert
Finish

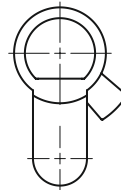




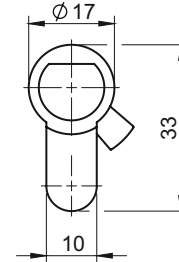
Self-locking shaped insert with difficult access WRS-D13.001 / WRS-D13.002



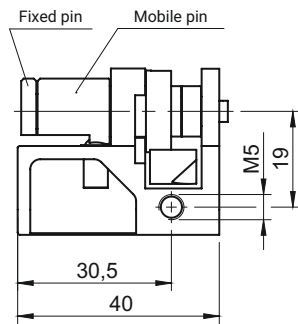
WRS-D13.001



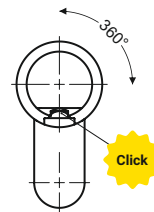
WRS-D13.002



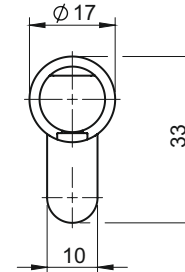
Shaped insert rotaed by 360° with difficult access WRS-D13.003 / WRS-D13.004



WRS-D13.003



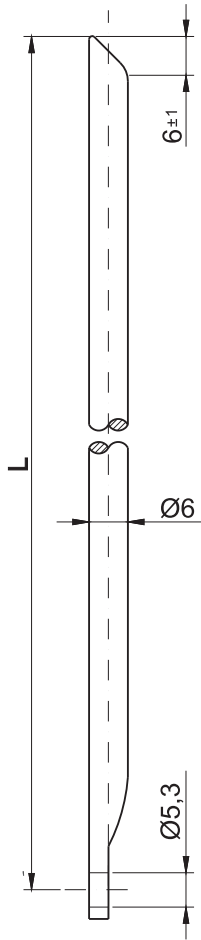
WRS-D13.004



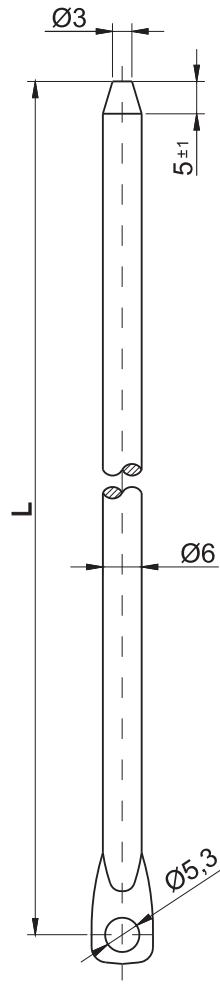
Shaped inserts WRS-D13 are compatible only with specified lock types RS: RS420, RS520, RS420/U, RS520/U.
WRS-D13.003 and WRS-D13.004 allows the key to turn 360°, removing the key is possible only in the open position, open position is sygnalized by a slight click.
Recommended key for cylinders with difficult access - 2.KL-D13S.008 (pg. 2A-115).

CATALOGUE NO.	COMPONENTS	MATERIAL	FINISH [C]
WRS-D13.001	Housing	ZAMAK	Nickel
WRS-D13.002	Mobile pin	ZAMAK	-
	Fixed pin	Steel zinc plated	-
WRS-D13.003	Housing	ZAMAK	Nickel
WRS-D13.004	Mobile pin	Brass	-
	Fixed pin	Steel zinc plated	-

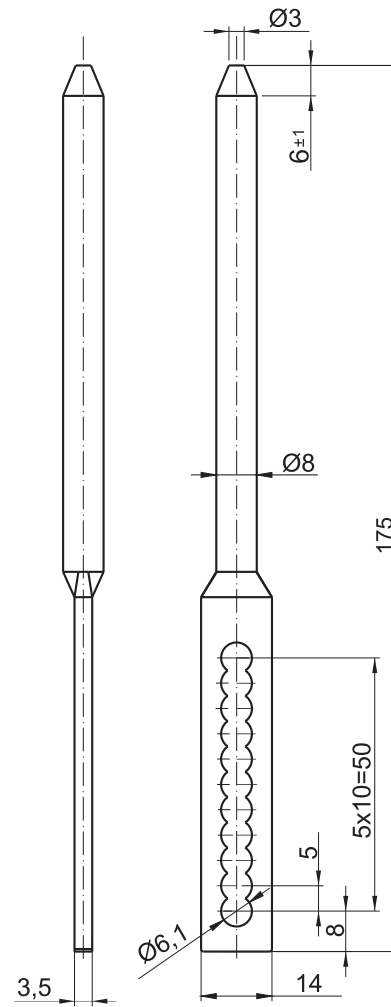
ROD with Cut End (P26L)



ROD with Pointed End (P26L)



ROD with Pointed End (regulated) (PR28L)



stainless steel



CALCULATING RODS' LENGHT

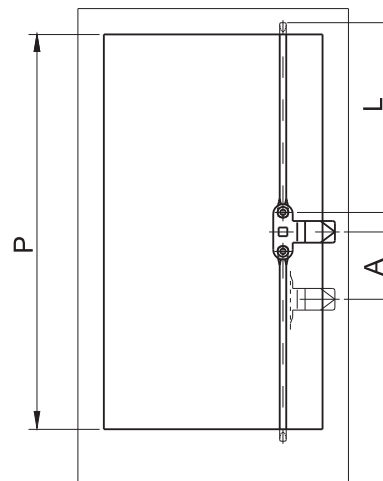
a) 3- point cam assembled in the middle of the door:

$$L = \frac{P - 12\text{mm}}{2}$$

b) in case, when cam is moved about dimension A:

L= in calculated like in point a) but:
 - upper rod $L_u = L + A$
 - lower rod $L_n = L - A$

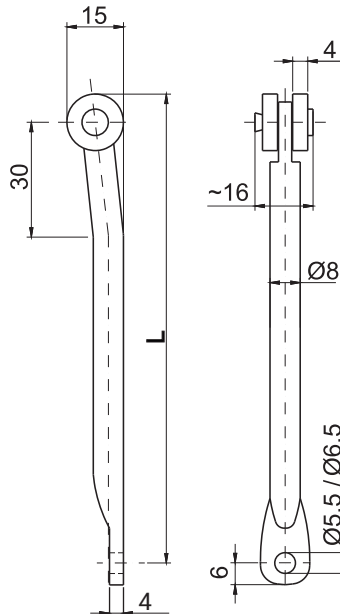
L - lenght of rod [mm]



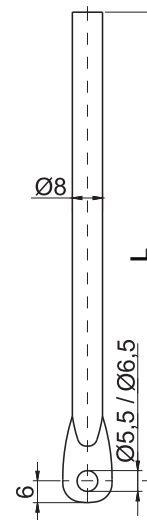
CAT. NUMBER	NAME	MATERIAL
P16 L	Rod with cut end	Steel zinc plated
P26 L	Rod with pointed end	Steel zinc plated
PR28 L	Rod with pointed end (regulated)	Steel zinc plated



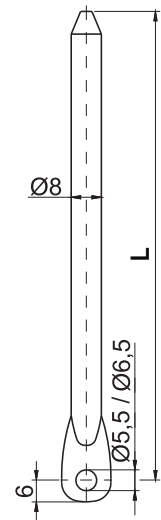
**ROD with Rollers
(P38 L)**



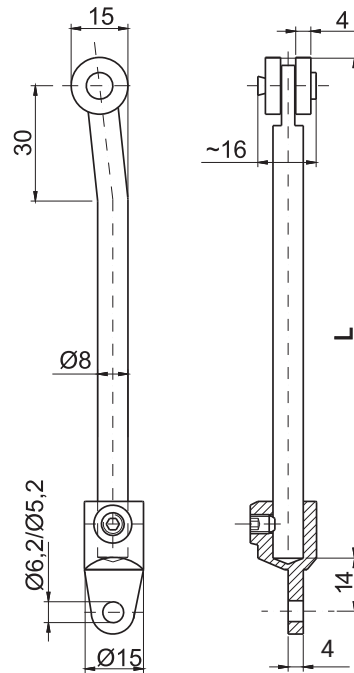
**ROD with Flat End
(P48 L)**



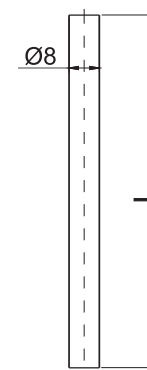
**ROD with Pointed End
(P28 L)**



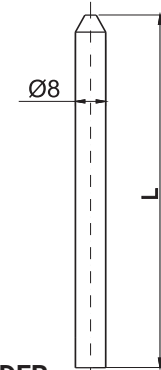
**ROD with Rollers
(P38/U L)
(used with Rod Holder)**



**ROD with Flat End
(P48/U L)
(used with Rod Holder)**



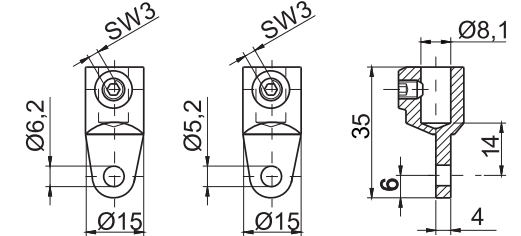
**ROD with Pointed End
(P28/U L)
(used with Rod Holder)**



ROD HOLDER

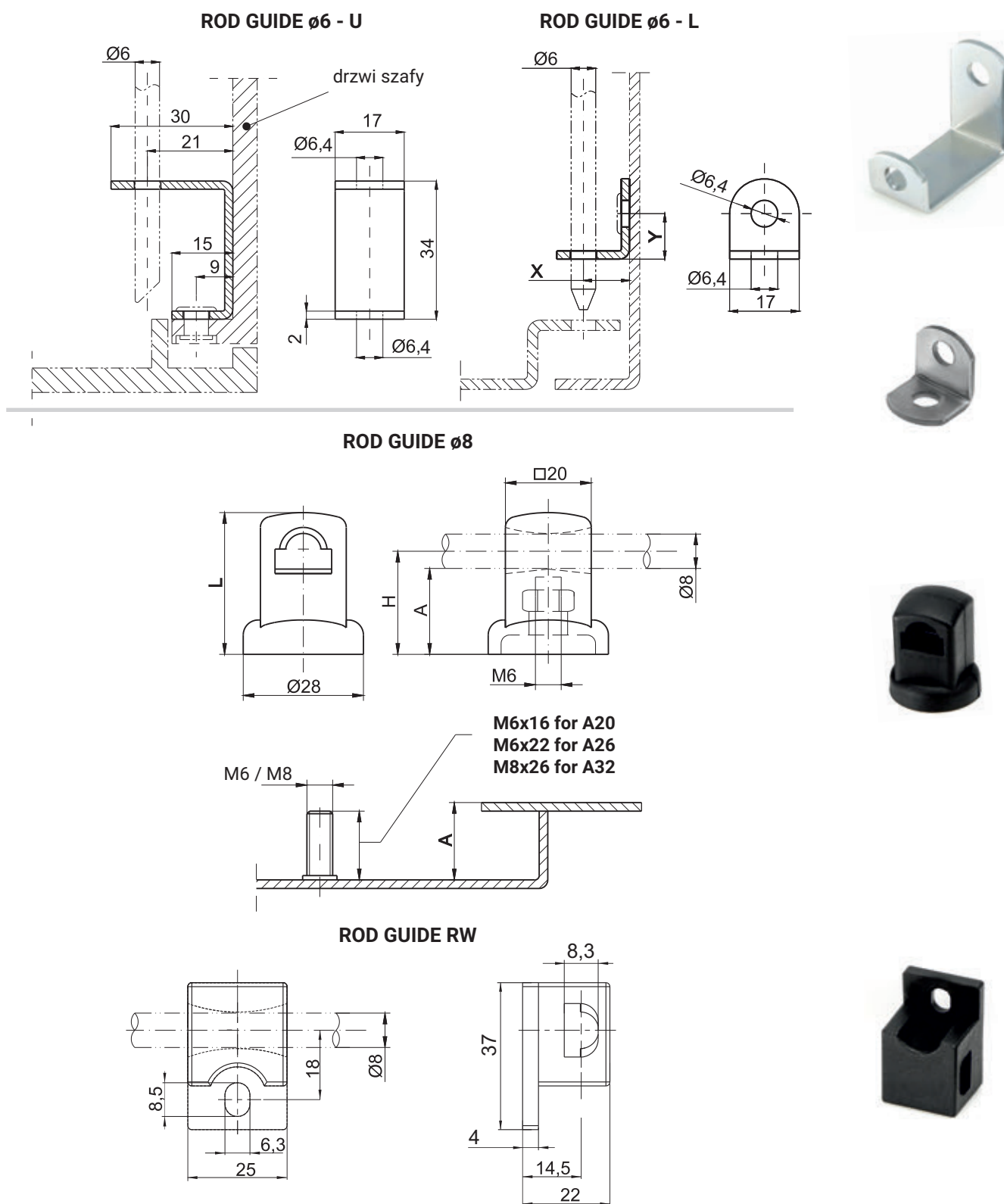
nr 1C.904.051

nr 1C.904.050

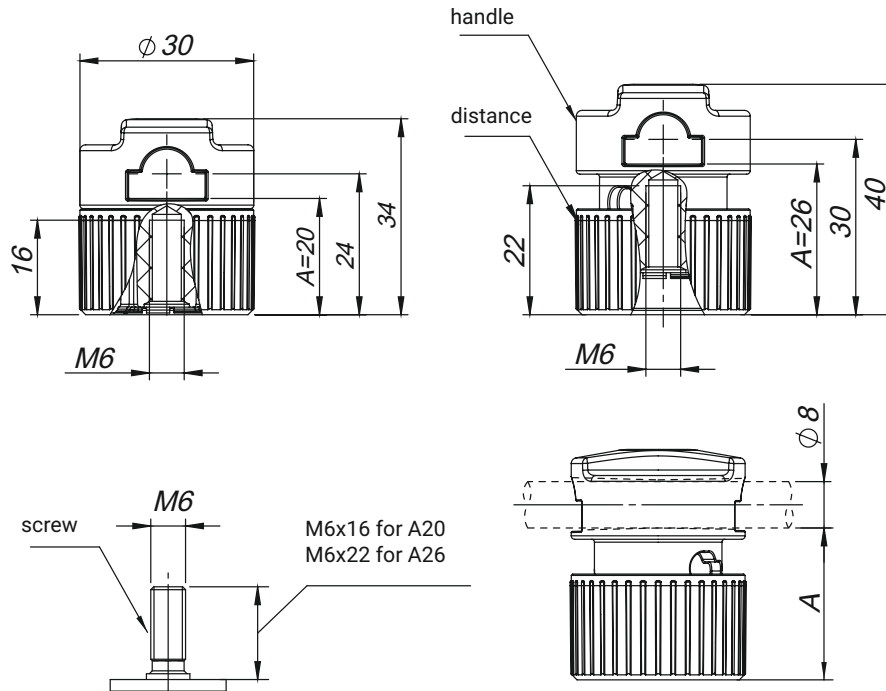


L - length of rod [mm]

CAT. NUMBER	NAME	MATERIAL
P28 L	Rod with pointed end	Steel zinc plated
P38 L	Rod with rollers	Steel zinc plated, rollers-PA6
P48 L	Rod with flat end	Steel zinc plated
P28/U L	Lenght adjustable by Rod holder	Rod with pointed end (adjustable)
P38/U L		Rod with rollers (adjustable)
P48/U L		Rod with flat end (adjustable)
1.C.904.051,1C.904.050	Rod holder	ZAMAK - zinc plated
1C.904.052	Rod holder	Stainless Steel



CAT. NUMBER	NAME	DIMENSION Ø8, Ø6 [mm]					MATERIAL
		A	L	H	X	Y	
1C.906.008		20	33	24	-	-	Pa6 colour RAL 9005
1C.906.009	Rod guide Ø8	26	39	30	-	-	
1C.906.010		32	45	36	-	-	
1C.906.002	Rod guide Ø6 L	-	-	-	11,5	8	Steel zinc plated
1C.906.003		-	-	-	22,5	27	
1C.906.001	Rod guide Ø6 U						Steel zinc plated
1C.906.013	Rod guide RW						Pa6 colour RAL 9005

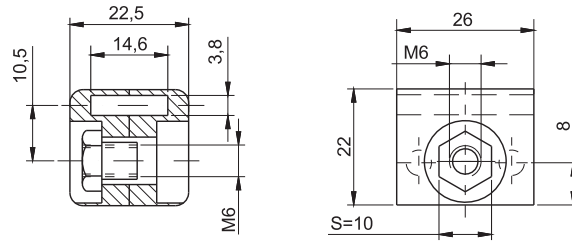


Positions A20 and A26 according to drawing.
 To change the position from A20 to A26, rotate the knob in the clockwise or anticlockwise direction relative to the distance until the knob can turn no further.
 Change the position of the guide from position A20 to A26 after removing the guide from the rod.
 It is possible to use one type of M6x16 stud for both versions of the rod guide.

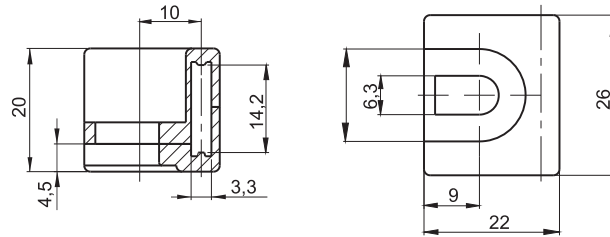
Tensile Strength [kg]			Tightening Torque
Screw length L	A20	A26	
L=16mm	500	400	to 2Nm
L=22mm	-	500	

CATALOGUE NO.	DETAL	MATERIAL	FINISH [C]
			RAL 9005
1C.906.100	Rod guide \varnothing 8	Polyamide PA GF30	07

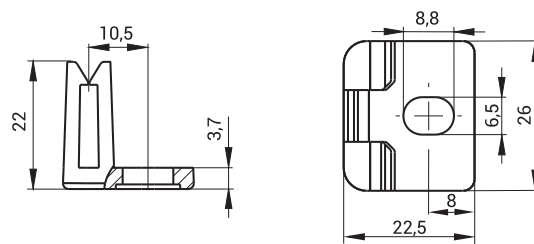
1C.906.012



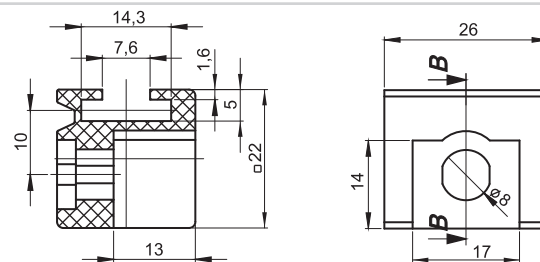
1C.906.014



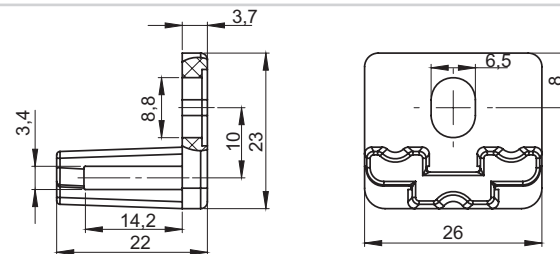
1C.906.015



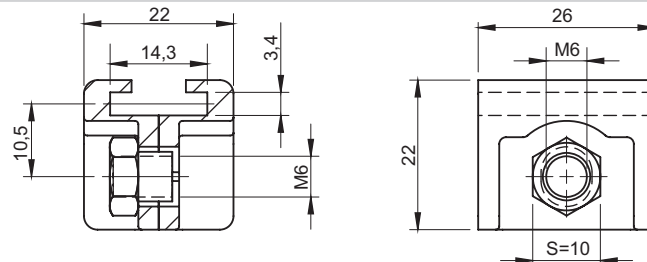
1C.906.018



1C.906.019

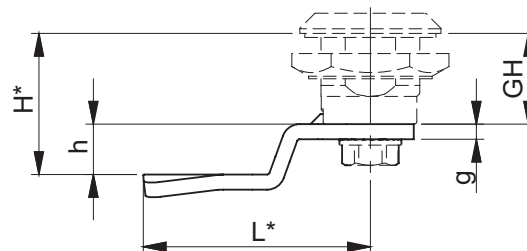


1C.906.020

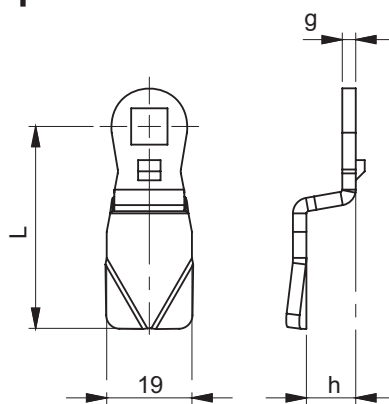


CAT. NUMBER	NAME	COMPONENTS	MATERIAL
1C.906.012	Rod guide P314	Rod guide P314	PA6 colour RAL 9005
		Nut	Steel zinc plated
1C.906.014	Rod guide P314 ver. 2	Rod guide P314 ver. 2	PA6 colour RAL 9005
1C.906.015	Rod guide P314	Rod guide	PA6 colour RAL 9005
1C.906.018	Rod guide P314 ver. 3	Rod guide P314 ver. 3	PA6 colour RAL 9005
1C.906.019	Rod guide P314	Rod guide	PA6 colour RAL 9005
1C.906.020	Rod guide P314 SN	Rod guide, Nut	Stainless Steel 316

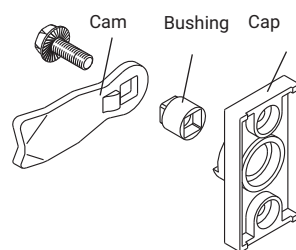
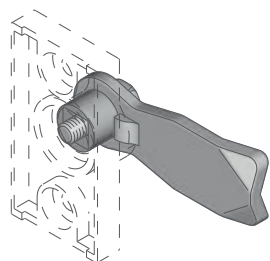
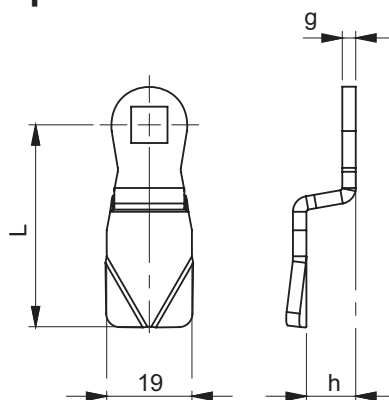
GH - height body
 H - height locking
 h - height cam
 L - length cam
 g - thickness cam



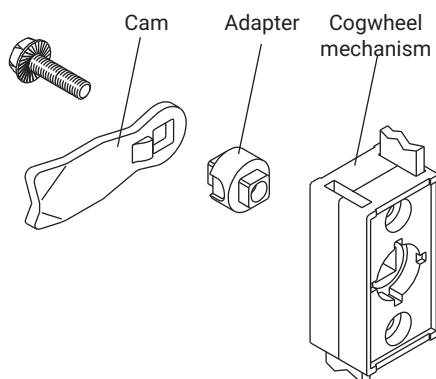
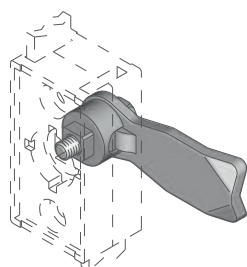
1-point cam with limiter



1-point cam without limiter



NOTE:
 When ordering 1-point cam with limiter for Cap, you must order bushing, page. 1C-27



NOTE:
 When ordering 1-point cam with limiter for Cogwheel mechanism, you must also order adapter, page 1C-27

STEEL ZINC PLATED

11	APPLICATION: Locking system with cap and locks M22													
	H	Catalogue number	g*	h	L	GH:18 H	GH:19 H	GH:23 H	GH:28 H	GH:30 H	GH:38 H	GH:40 H	GH:50 H	GH:60 H
CAM RANGE [G]	18	J-1751845	3	0	45	18	19	23	28	30	38	40	50	60
	19	J-1751945	3	1	45	19	20	24	29	31	39	41	51	61
	20	J-1752045	3	2	45	20	21	25	30	32	40	42	52	62
	21	J-1752145	3	3	45	21	22	26	31	33	41	43	53	63
	22	J-1752245	3	4	45	22	23	27	32	34	42	44	54	64
	24	J-1752445	3	6	45	24	25	29	34	36	44	46	56	66
	26	J-1752645	3	8	45	26	27	31	36	38	46	48	58	68
	28	J-1752845	3	10	45	28	29	33	38	40	48	50	60	70
	30	J-1753045	3	12	45	30	31	35	40	42	50	52	62	72
	32	J-1753245	3	14	45	32	33	37	42	44	52	54	64	74
	34	J-1753445	3	16	45	34	35	39	44	46	54	56	66	76
	36	J-1753645	3	18	45	36	37	-	46	48	56	58	68	78
	38	J-1753845	3	20	45	38	39	-	48	50	58	60	70	80
	40	J-1754045	3	22	45	40	41	-	50	52	60	62	72	82
	42	J-1754245	3	24	45	42	43	-	52	54	62	64	74	84
	16	J-1751645	3	-2	45	16	17	-	26	28	36	38	48	58
	14	J-1751445	3	-4	45	14	15	-	24	26	34	36	46	56
	12	J-1751245	3	-6	45	12	13	-	22	24	32	34	44	54
	10	J-1751045	3	-8	45	10	11	-	20	22	30	32	42	52
	8	J-1750845	3	-10	45	8	9	-	28	20	28	30	40	50

12	APPLICATION: Locks M22													
	H	Catalogue number	g*	h	L	GH:18 H	GH:19 H	GH:23 H	GH:28 H	GH:30 H	GH:38 H	GH:40 H	GH:50 H	GH:60 H
CAM RANGE [G]	18	J-1601845	3	0	45	18	19	23	28	30	38	40	50	60
	19	J-1601945	3	1	45	19	20	24	29	31	39	41	51	61
	20	J-1602045	3	2	45	20	21	25	30	32	40	42	52	62
	21	J-1602145	3	3	45	21	22	26	31	33	41	43	53	63
	22	J-1602245	3	4	45	22	23	27	32	34	42	44	54	64
	24	J-1602445	3	6	45	24	25	29	34	36	44	46	56	66
	26	J-1602645	3	8	45	26	27	31	36	38	46	48	58	68
	28	J-1602845	3	10	45	28	29	33	38	40	48	50	60	70
	30	J-1603045	3	12	45	30	31	35	40	42	50	52	62	72
	32	J-1603245	3	14	45	32	33	37	42	44	52	54	64	74
	34	J-1603445	3	16	45	34	35	39	44	46	54	56	66	76
	36	J-1603645	3	18	45	36	37	-	46	48	56	58	68	78
	38	J-1603845	3	20	45	38	39	-	48	50	58	60	70	80
	40	J-1604045	3	22	45	40	41	-	50	52	60	62	72	82
	42	J-1604245	3	24	45	42	43	-	52	54	62	64	74	84
	16	J-1601645	3	-2	45	16	17	-	26	28	36	38	48	58
	14	J-1601445	3	-4	45	14	15	-	24	26	34	36	46	56
	12	J-1601245	3	-6	45	12	13	-	22	24	32	34	44	54
	10	J-1601045	3	-8	45	10	11	-	20	22	30	32	42	52
	8	J-1600845	3	-10	45	8	9	-	28	20	28	30	40	50

When ordering a custom cam, you should contact your dealer for more details .

STAINLESS STEEL

13	APPLICATION: Locking system with cap and locksM22													
	H	Numer katalogowy	g*	h	L	GH:18 H	GH:19 H	GH:23 H	GH:28 H	GH:30 H	GH:38 H	GH:40 H	GH:50 H	GH:60 H
CAM RANGE [G]	18	J-1751845SN	3	0	45	18	19	23	28	30	38	40	50	60
	19	J-1751945SN	3	1	45	19	20	24	29	31	39	41	51	61
	20	J-1752045SN	3	2	45	20	21	25	30	32	40	42	52	62
	21	J-1752145SN	3	3	45	21	22	26	31	33	41	43	53	63
	22	J-1752245SN	3	4	45	22	23	27	32	34	42	44	54	64
	24	J-1752445SN	3	6	45	24	25	29	34	36	44	46	56	66
	26	J-1752645SN	3	8	45	26	27	31	36	38	46	48	58	68
	28	J-1752845SN	3	10	45	28	29	33	38	40	48	50	60	70
	30	J-1753045SN	3	12	45	30	31	35	40	42	50	52	62	72
	32	J-1753245SN	3	14	45	32	33	37	42	44	52	54	64	74
	34	J-1753445SN	3	16	45	34	35	39	44	46	54	56	66	76
	36	J-1753645SN	3	18	45	36	37	-	46	48	56	58	68	78
	38	J-1753845SN	3	20	45	38	39	-	48	50	58	60	70	80
	40	J-1754045SN	3	22	45	40	41	-	50	52	60	62	72	82
	42	J-1754245SN	3	24	45	42	43	-	52	54	62	64	74	84
	16	J-1751645SN	3	-2	45	16	17	-	26	28	36	38	48	58
	14	J-1751445SN	3	-4	45	14	15	-	24	26	34	36	46	56
	12	J-1751245SN	3	-6	45	12	13	-	22	24	32	34	44	54
	10	J-1751045SN	3	-8	45	10	11	-	20	22	30	32	42	52
	8	J-175845SN	3	-10	45	8	9	-	28	20	28	30	40	50

14	APPLICATION: Locks M22													
	H	Numer katalogowy	g*	h	L	GH:18 H	GH:19 H	GH:23 H	GH:28 H	GH:30 H	GH:38 H	GH:40 H	GH:50 H	GH:60 H
CAM RANGE [G]	18	J-1601845SN	3	0	45	18	19	23	28	30	38	40	50	60
	19	J-1601945SN	3	1	45	19	20	24	29	31	39	41	51	61
	20	J-1602045SN	3	2	45	20	21	25	30	32	40	42	52	62
	21	J-1602145SN	3	3	45	21	22	26	31	33	41	43	53	63
	22	J-1602245SN	3	4	45	22	23	27	32	34	42	44	54	64
	24	J-1602445SN	3	6	45	24	25	29	34	36	44	46	56	66
	26	J-1602645SN	3	8	45	26	27	31	36	38	46	48	58	68
	28	J-1602845SN	3	10	45	28	29	33	38	40	48	50	60	70
	30	J-1603045SN	3	12	45	30	31	35	40	42	50	52	62	72
	32	J-1603245SN	3	14	45	32	33	37	42	44	52	54	64	74
	34	J-1603445SN	3	16	45	34	35	39	44	46	54	56	66	76
	36	J-1603645SN	3	18	45	36	37	-	46	48	56	58	68	78
	38	J-1603845SN	3	20	45	38	39	-	48	50	58	60	70	80
	40	J-1604045SN	3	22	45	40	41	-	50	52	60	62	72	82
	42	J-1604245SN	3	24	45	42	43	-	52	54	62	64	74	84
	16	J-1601645SN	3	-2	45	16	17	-	26	28	36	38	48	58
	14	J-1601445SN	3	-4	45	14	15	-	24	26	34	36	46	56
	12	J-1601245SN	3	-6	45	12	13	-	22	24	32	34	44	54
	10	J-1601045SN	3	-8	45	10	11	-	20	22	30	32	42	52
	8	J-160845SN	3	-10	45	8	9	-	28	20	28	30	40	50

When ordering a custom cam, you should contact your dealer for more details .

STEEL ZINC PLATED

15	H	Cat. Number	g*	h	L	GH:18	GH:22	GH:30	GH:40	GH:50	GH:60
						H	H	H	H	H	H
CAM RANGE [G]	18	J-1001845	3	0	45	18	22	30	40	50	60
	19	J-1001945	3	1	45	19	23	31	41	51	61
	20	J-1002045	3	2	45	20	24	32	42	52	62
	21	J-1002145	3	3	45	21	25	33	43	53	63
	22	J-1002245	3	4	45	22	26	34	44	54	64
	24	J-1002445	3	6	45	24	28	36	46	56	66
	26	J-1002645	3	8	45	26	30	38	48	58	68
	28	J-1002845	3	10	45	28	32	40	50	60	70
	30	J-1003045	3	12	45	30	34	42	52	62	72
	32	J-1003245	3	14	45	32	36	44	54	64	74
	34	J-1003445	3	16	45	34	38	46	56	66	76
	36	J-1003645	3	18	45	36	40	48	58	68	78
	38	J-1003845	3	20	45	38	42	50	60	70	80
	40	J-1004045	3	22	45	40	44	52	62	72	82
	42	J-1004245	3	24	45	42	46	54	64	74	84
	16	J-1001645	3	-2	45	16	20	28	38	48	58
	14	J-1001445	3	-4	45	14	18	26	36	46	56
	12	J-1001245	3	-6	45	12	16	24	34	44	54
	10	J-1001045	3	-8	45	10	14	22	32	42	52
	8	J-100845	3	-10	45	8	12	20	30	40	50
6	J-100645	3	-12	45	6	10	18	28	38	48	
4	J-100445	3	-14	45	4	8	16	26	36	46	

STAINLESS STEEL

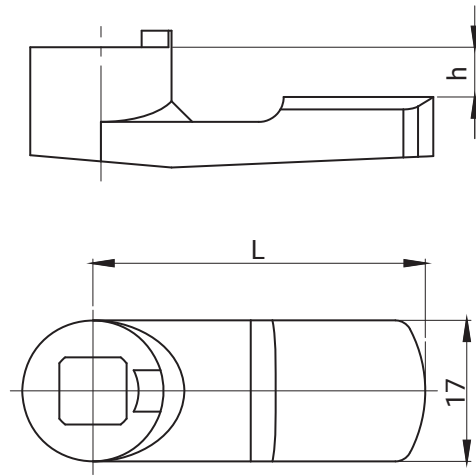
16	H	Cat. Number	g*	h	L	GH:18	GH:22	GH:30	GH:40	GH:50	GH:60
						H	H	H	H	H	H
CAM RANGE [G]	18	J-1001845SN	3	0	45	18	22	30	40	50	60
	19	J-1001945SN	3	1	45	19	23	31	41	51	61
	20	J-1002045SN	3	2	45	20	24	32	42	52	62
	21	J-1002145SN	3	3	45	21	25	33	43	53	63
	22	J-1002245SN	3	4	45	22	26	34	44	54	64
	24	J-1002445SN	3	6	45	24	28	36	46	56	66
	26	J-1002645SN	3	8	45	26	30	38	48	58	68
	28	J-1002845SN	3	10	45	28	32	40	50	60	70
	30	J-1003045SN	3	12	45	30	34	42	52	62	72
	32	J-1003245SN	3	14	45	32	36	44	54	64	74
	34	J-1003445SN	3	16	45	34	38	46	56	66	76
	36	J-1003645SN	3	18	45	36	40	48	58	68	78
	38	J-1003845SN	3	20	45	38	42	50	60	70	80
	40	J-1004045SN	3	22	45	40	44	52	62	72	82
	42	J-1004245SN	3	24	45	42	46	54	64	74	84
	16	J-1001645SN	3	-2	45	16	20	28	38	48	58
	14	J-1001445SN	3	-4	45	14	18	26	36	46	56
	12	J-1001245SN	3	-6	45	12	16	24	34	44	54
	10	J-1001045SN	3	-8	45	10	14	22	32	42	52
	8	J-100845SN	3	-10	45	8	12	20	30	40	50
6	J-100645SN	3	-12	45	6	10	18	28	38	48	
4	J-100445SN	3	-14	45	4	8	16	26	36	46	

STEEL ZINC PLATED

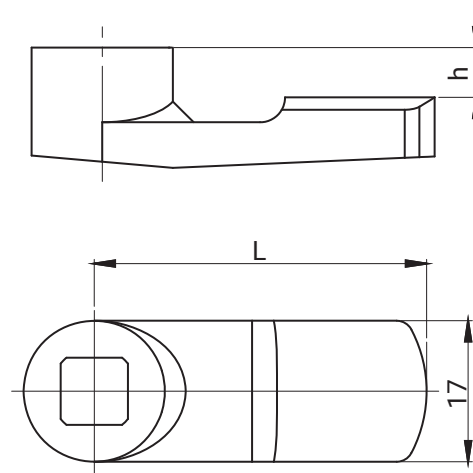
17	APPLICATION: Locking system with cap and locks M22													
	H	Catalogue number	g*	h	L	GH:18 H	GH:19 H	GH:23 H	GH:28 H	GH:30 H	GH:38 H	GH:40 H	GH:50 H	GH:60 H
	18	J-1651845	3	0	45	18	19	23	28	30	38	40	50	60
	19	J-1651945	3	1	45	19	20	24	29	31	39	41	51	61
	20	J-1652045	3	2	45	20	21	25	30	32	40	42	52	62
	21	J-1652145	3	3	45	21	22	26	31	33	41	43	53	63
	22	J-1652245	3	4	45	22	23	27	32	34	42	44	54	64
	24	J-1652445	3	6	45	24	25	29	34	36	44	46	56	66
	26	J-1652645	3	8	45	26	27	31	36	38	46	48	58	68
	28	J-1652845	3	10	45	28	29	33	38	40	48	50	60	70
	30	J-1653045	3	12	45	30	31	35	40	42	50	52	62	72
	32	J-1653245	3	14	45	32	33	37	42	44	52	54	64	74
	34	J-1653445	3	16	45	34	35	39	44	46	54	56	66	76
	36	J-1653645	3	18	45	36	37	-	46	48	56	58	68	78
	38	J-1653845	3	20	45	38	39	-	48	50	58	60	70	80
	40	J-1654045	3	22	45	40	41	-	50	52	60	62	72	82
	42	J-1654245	3	24	45	42	43	-	52	54	62	64	74	84
	16	J-1651645	3	-2	45	16	17	-	26	28	36	38	48	58
	14	J-1651445	3	-4	45	14	15	-	24	26	34	36	46	56
	12	J-1651245	3	-6	45	12	13	-	22	24	32	34	44	54
	10	J-1651045	3	-8	45	10	11	-	20	22	30	32	42	52
	8	J-1650845	3	-10	45	8	9	-	28	20	28	30	40	50

STAINLESS STEEL

17A	APPLICATION: Locks M22													
	H	Catalogue number	g*	h	L	GH:18 H	GH:19 H	GH:23 H	GH:28 H	GH:30 H	GH:38 H	GH:40 H	GH:50 H	GH:60 H
	18	J-1651845SN	3	0	45	18	19	23	28	30	38	40	50	60
	19	J-1651945SN	3	1	45	19	20	24	29	31	39	41	51	61
	20	J-1652045SN	3	2	45	20	21	25	30	32	40	42	52	62
	21	J-1652145SN	3	3	45	21	22	26	31	33	41	43	53	63
	22	J-1652245SN	3	4	45	22	23	27	32	34	42	44	54	64
	24	J-1652445SN	3	6	45	24	25	29	34	36	44	46	56	66
	26	J-1652645SN	3	8	45	26	27	31	36	38	46	48	58	68
	28	J-1652845SN	3	10	45	28	29	33	38	40	48	50	60	70
	30	J-1653045SN	3	12	45	30	31	35	40	42	50	52	62	72
	32	J-1653245SN	3	14	45	32	33	37	42	44	52	54	64	74
	34	J-1653445SN	3	16	45	34	35	39	44	46	54	56	66	76
	36	J-1653645SN	3	18	45	36	37	-	46	48	56	58	68	78
	38	J-1653845SN	3	20	45	38	39	-	48	50	58	60	70	80
	40	J-1654045SN	3	22	45	40	41	-	50	52	60	62	72	82
	42	J-1654245SN	3	24	45	42	43	-	52	54	62	64	74	84
	16	J-1651645SN	3	-2	45	16	17	-	26	28	36	38	48	58
	14	J-1651445SN	3	-4	45	14	15	-	24	26	34	36	46	56
	12	J-1651245SN	3	-6	45	12	13	-	22	24	32	34	44	54
	10	J-1651045SN	3	-8	45	10	11	-	20	22	30	32	42	52
	8	J-1650845SN	3	-10	45	8	9	-	28	20	28	30	40	50



18		CAM WITH LIMITER							
CAM RANGE [G]	H	Cat. Number	h	L	GH:18 H	GH:30 H	GH:40 H	GH:50 H	GH:60 H
	18P	JP2-10018	0	40	18	30	40	50	60
	21P	JP2-10021	3	40	21	33	43	53	63
	24P	JP2-10024	6	40	24	36	46	56	66

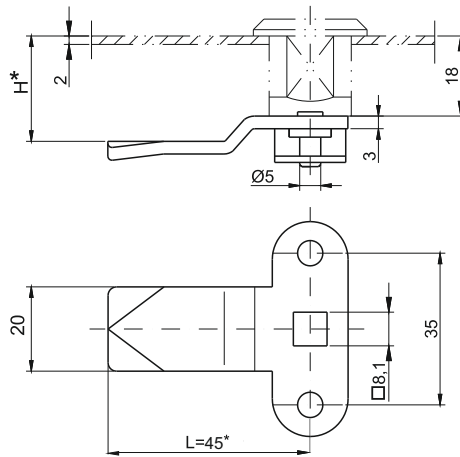


19		CAM WITHOUT LIMITER							
CAM RANGE [G]	H	Cat. Number	h	L	GH:18 H	GH:30 H	GH:40 H	GH:50 H	GH:60 H
	18P	JP-10018	0	40	18	30	40	50	60
	21P	JP-10021	3	40	21	33	43	53	63
	24P	JP-10024	6	40	24	36	46	56	66
	29P	JP-10029	11	40	29	41	51	61	71

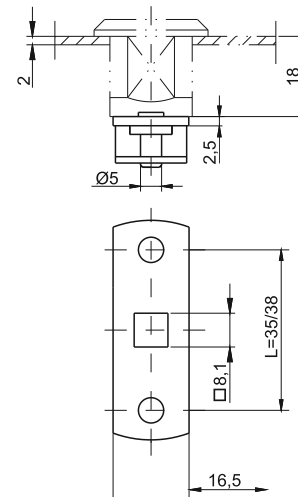
stainless steel



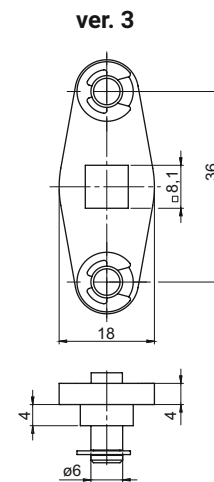
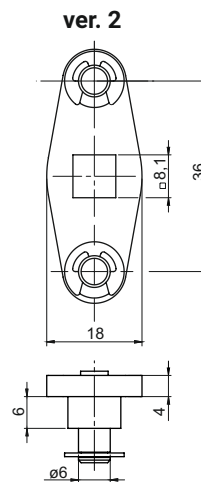
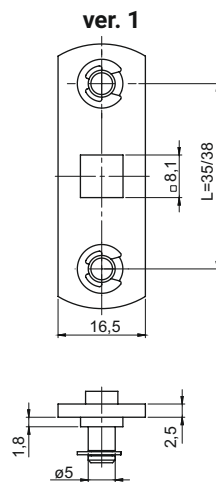
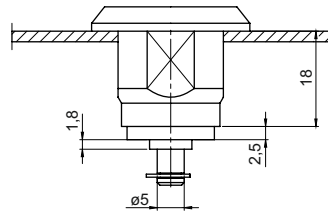
3-point CAM
(without limiter
with **protective element**)



2-point CAM
(with protective element)



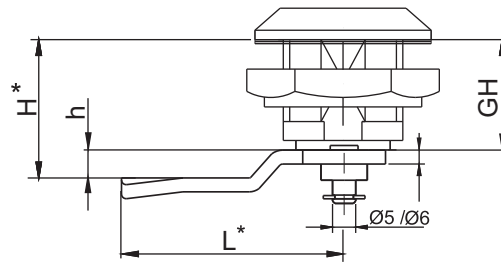
2-point CAM
(with **Cir Clips ver. 1, ver. 2, ver. 3**)



CAM RANGE [G]	CAT. NUMBER		NAME	DIMENSIONS H [mm]	MATERIAL
	STEEL ZINC PLATED	STAINLESS STEEL			
21	JB-30018	JB-30018SN	3-point Cam without limiter with protective element	18	Steel zinc plated or stainless steel
	JB-30021	JB-30021SN		21	
	JB-30024	JB-30024SN		24	
	JB-30029	JB-30029SN		29	
	JB-20018/35	JB-20018/35SN	2-point Cam with protective element	18L=35	Steel zinc plated or stainless steel
	JB-20018/38	JB-20018/38SN		18L=38	
	J-20018/35	J-20018/35SN	2-point Cam with Cir Clips ver. 1	18L=35	Steel zinc plated or stainless steel
	J-20018/38	J-20018/38SN		18L=38	
	J-20018/36	J-20018/36SN	2-point Cam with Cir Clips ver. 2	18L=36	Steel zinc plated or stainless steel
	JA-20018/36	JA-20018/36SN	2-point Cam with Cir Clips ver.3	18L=36	

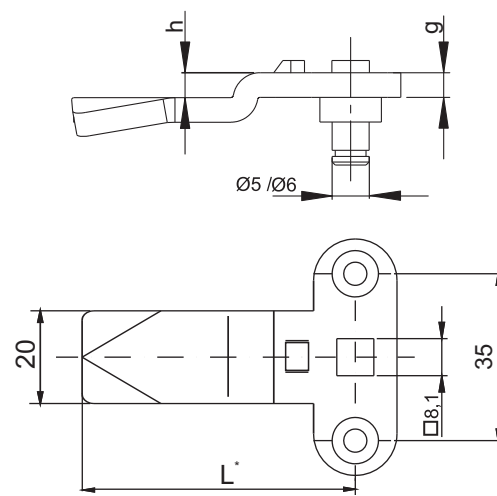
• * dimension negotiable

NOTE: When ordering 2-point Cams with dimension between pins 35 mm you must add /35 e.g. (JB-20018/35 or J-20018/35).

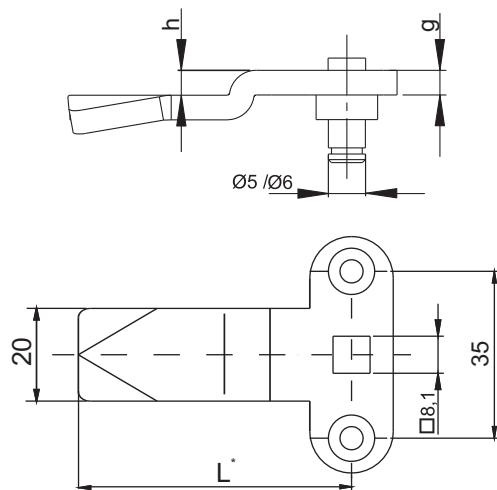


- GH - height body
- H - height locking
- h - height cam
- L - length cam
- g - thickness cam

3-point CAM with limiter



3-point CAM without limiter



STEEL ZINC PLATED

31	APPLICATION: Locking system with cap and locks M22													
	H	Numer katalogowy	g*	h	L	GH:18 H	GH:19 H	GH:23 H	GH:28 H	GH:30 H	GH:38 H	GH:40 H	GH:50 H	GH:60 H
	18	J-3751845	3	0	45	18	19	23	28	30	38	40	50	60
	19	J-3751945	3	1	45	19	20	24	29	31	39	41	51	61
	20	J-3752045	3	2	45	20	21	25	30	32	40	42	52	62
	21	J-3752145	3	3	45	21	22	26	31	33	41	43	53	63
	22	J-3752245	3	4	45	22	23	27	32	34	42	44	54	64
	24	J-3752445	3	6	45	24	25	29	34	36	44	46	56	66
	26	J-3752645	3	8	45	26	27	31	36	38	46	48	58	68
	28	J-3752845	3	10	45	28	29	33	38	40	48	50	60	70
	30	J-3753045	3	12	45	30	31	35	40	42	50	52	62	72
	32	J-3753245	3	14	45	32	33	37	42	44	52	54	64	74
	34	J-3753445	3	16	45	34	35	39	44	46	54	56	66	76
	36	J-3753645	3	18	45	36	37	-	46	48	56	58	68	78
	38	J-3753845	3	20	45	38	39	-	48	50	58	60	70	80
	40	J-3754045	3	22	45	40	41	-	50	52	60	62	72	82
	42	J-3754245	3	24	45	42	43	-	52	54	62	64	74	84
	16	J-3751645	3	-2	45	16	17	-	26	28	36	38	48	58
	14	J-3751445	3	-4	45	14	15	-	24	26	34	36	46	56
	12	J-3751245	3	-6	45	12	13	-	22	24	32	34	44	54
	10	J-3751045	3	-8	45	10	11	-	20	22	30	32	42	52

32	APPLICATION: Locks M22													
	H	Numer katalogowy	g*	h	L	GH:18 H	GH:19 H	GH:23 H	GH:28 H	GH:30 H	GH:38 H	GH:40 H	GH:50 H	GH:60 H
	18	J-3601845	3	0	45	18	19	23	28	30	38	40	50	60
	19	J-3601945	3	1	45	19	20	24	29	31	39	41	51	61
	20	J-3602045	3	2	45	20	21	25	30	32	40	42	52	62
	21	J-3602145	3	3	45	21	22	26	31	33	41	43	53	63
	22	J-3602245	3	4	45	22	23	27	32	34	42	44	54	64
	24	J-3602445	3	6	45	24	25	29	34	36	44	46	56	66
	26	J-3602645	3	8	45	26	27	31	36	38	46	48	58	68
	28	J-3602845	3	10	45	28	29	33	38	40	48	50	60	70
	30	J-3603045	3	12	45	30	31	35	40	42	50	52	62	72
	32	J-3603245	3	14	45	32	33	37	42	44	52	54	64	74
	34	J-3603445	3	16	45	34	35	39	44	46	54	56	66	76
	36	J-3603645	3	18	45	36	37	-	46	48	56	58	68	78
	38	J-3603845	3	20	45	38	39	-	48	50	58	60	70	80
	40	J-3604045	3	22	45	40	41	-	50	52	60	62	72	82
	42	J-3604245	3	24	45	42	43	-	52	54	62	64	74	84
	16	J-3601645	3	-2	45	16	17	-	26	28	36	38	48	58
	14	J-3601445	3	-4	45	14	15	-	24	26	34	36	46	56
	12	J-3601245	3	-6	45	12	13	-	22	24	32	34	44	54
	10	J-3601045	3	-8	45	10	11	-	20	22	30	32	42	52

When ordering a custom cam, you should contact your dealer for more details ..

STAINLESS STEEL

33	APPLICATION: Locking system with cap and locks M22													
	H	Catalogue number	g*	h	L	GH:18 H	GH:19 H	GH:23 H	GH:28 H	GH:30 H	GH:38 H	GH:40 H	GH:50 H	GH:60 H
CAM RANGE [g]	18	J-3751845SN	3	0	45	18	19	23	28	30	38	40	50	60
	19	J-3751945SN	3	1	45	19	20	24	29	31	39	41	51	61
	20	J-3752045SN	3	2	45	20	21	25	30	32	40	42	52	62
	21	J-3752145SN	3	3	45	21	22	26	31	33	41	43	53	63
	22	J-3752245SN	3	4	45	22	23	27	32	34	42	44	54	64
	24	J-3752445SN	3	6	45	24	25	29	34	36	44	46	56	66
	26	J-3752645SN	3	8	45	26	27	31	36	38	46	48	58	68
	28	J-3752845SN	3	10	45	28	29	33	38	40	48	50	60	70
	30	J-3753045SN	3	12	45	30	31	35	40	42	50	52	62	72
	32	J-3753245SN	3	14	45	32	33	37	42	44	52	54	64	74
	34	J-3753445SN	3	16	45	34	35	39	44	46	54	56	66	76
	36	J-3753645SN	3	18	45	36	37	-	46	48	56	58	68	78
	38	J-3753845SN	3	20	45	38	39	-	48	50	58	60	70	80
	40	J-3754045SN	3	22	45	40	41	-	50	52	60	62	72	82
	42	J-3754245SN	3	24	45	42	43	-	52	54	62	64	74	84
	16	J-3751645SN	3	-2	45	16	17	-	26	28	36	38	48	58
	14	J-3751445SN	3	-4	45	14	15	-	24	26	34	36	46	56
	12	J-3751245SN	3	-6	45	12	13	-	22	24	32	34	44	54
	10	J-3751045SN	3	-8	45	10	11	-	20	22	30	32	42	52
	8	J-375845SN	3	-10	45	8	9	-	28	20	28	30	40	50

34	APPLICATION: Locks M22													
	H	Catalogue number	g*	h	L	GH:18 H	GH:19 H	GH:23 H	GH:28 H	GH:30 H	GH:38 H	GH:40 H	GH:50 H	GH:60 H
CAM RANGE [g]	18	J-3601845SN	3	0	45	18	19	23	28	30	38	40	50	60
	19	J-3601945SN	3	1	45	19	20	24	29	31	39	41	51	61
	20	J-3602045SN	3	2	45	20	21	25	30	32	40	42	52	62
	21	J-3602145SN	3	3	45	21	22	26	31	33	41	43	53	63
	22	J-3602245SN	3	4	45	22	23	27	32	34	42	44	54	64
	24	J-3602445SN	3	6	45	24	25	29	34	36	44	46	56	66
	26	J-3602645SN	3	8	45	26	27	31	36	38	46	48	58	68
	28	J-3602845SN	3	10	45	28	29	33	38	40	48	50	60	70
	30	J-3603045SN	3	12	45	30	31	35	40	42	50	52	62	72
	32	J-3603245SN	3	14	45	32	33	37	42	44	52	54	64	74
	34	J-3603445SN	3	16	45	34	35	39	44	46	54	56	66	76
	36	J-3603645SN	3	18	45	36	37	-	46	48	56	58	68	78
	38	J-3603845SN	3	20	45	38	39	-	48	50	58	60	70	80
	40	J-3604045SN	3	22	45	40	41	-	50	52	60	62	72	82
	42	J-3604245SN	3	24	45	42	43	-	52	54	62	64	74	84
	16	J-3601645SN	3	-2	45	16	17	-	26	28	36	38	48	58
	14	J-3601445SN	3	-4	45	14	15	-	24	26	34	36	46	56
	12	J-3601245SN	3	-6	45	12	13	-	22	24	32	34	44	54
	10	J-3601045SN	3	-8	45	10	11	-	20	22	30	32	42	52
	8	J-360845SN	3	-10	45	8	9	-	28	20	28	30	40	50

When ordering a custom cam, you should contact your dealer for more details ..

STAINLESS STEEL

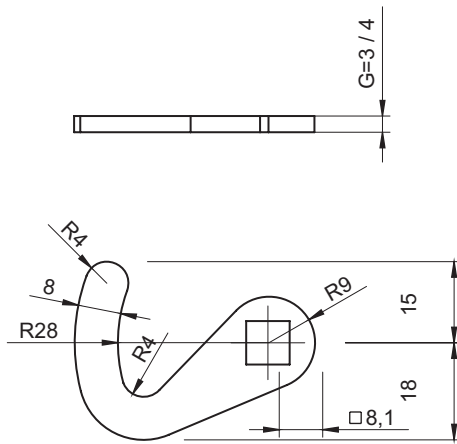
35	H	Cat. Number	g ⁺	h	L	GH:18 H	GH:22 H	GH:30 H	GH:40 H	GH:50 H	GH:60 H
	CAM RANGE [G]	18	J-3001845	3	0	45	18	22	30	40	50
19		J-3001945	3	1	45	19	23	31	41	51	61
20		J-3002045	3	2	45	20	24	32	42	52	62
21		J-3002145	3	3	45	21	25	33	43	53	63
22		J-3002245	3	4	45	22	26	34	44	54	64
24		J-3002445	3	6	45	24	28	36	46	56	66
26		J-3002645	3	8	45	26	30	38	48	58	68
28		J-3002845	3	10	45	28	32	40	50	60	70
30		J-3003045	3	12	45	30	34	42	52	62	72
32		J-3003245	3	14	45	32	36	44	54	64	74
34		J-3003445	3	16	45	34	38	46	56	66	76
36		J-3003645	3	18	45	36	40	48	58	68	78
38		J-3003845	3	20	45	38	42	50	60	70	80
40		J-3004045	3	22	45	40	44	52	62	72	82
42		J-3004245	3	24	45	42	46	54	64	74	84
16		J-3001645	3	-2	45	16	20	28	38	48	58
14		J-3001445	3	-4	45	14	18	26	36	46	56
12		J-3001245	3	-6	45	12	16	24	34	44	54
10		J-3001045	3	-8	45	10	14	22	32	42	52
8		J-3000845	3	-10	45	8	12	20	30	40	50

STAINLESS STEEL

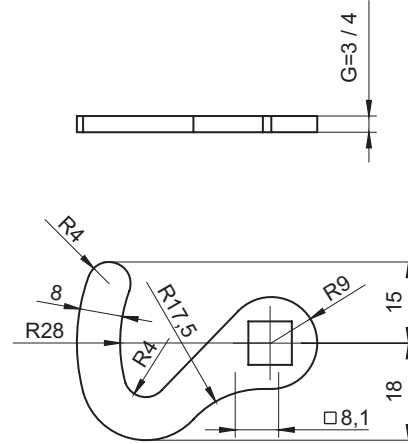
36	H	Cat. Number	g ⁺	h	L	GH:18 H	GH:22 H	GH:30 H	GH:40 H	GH:50 H	GH:60 H
	CAM RANGE [G]	18	J-3001845SN	3	0	45	18	22	30	40	50
19		J-3001945SN	3	1	45	19	23	31	41	51	61
20		J-3002045SN	3	2	45	20	24	32	42	52	62
21		J-3002145SN	3	3	45	21	25	33	43	53	63
22		J-3002245SN	3	4	45	22	26	34	44	54	64
24		J-3002445SN	3	6	45	24	28	36	46	56	66
26		J-3002645SN	3	8	45	26	30	38	48	58	68
28		J-3002845SN	3	10	45	28	32	40	50	60	70
30		J-3003045SN	3	12	45	30	34	42	52	62	72
32		J-3003245SN	3	14	45	32	36	44	54	64	74
34		J-3003445SN	3	16	45	34	38	46	56	66	76
36		J-3003645SN	3	18	45	36	40	48	58	68	78
38		J-3003845SN	3	20	45	38	42	50	60	70	80
40		J-3004045SN	3	22	45	40	44	52	62	72	82
42		J-3004245SN	3	24	45	42	46	54	64	74	84
16		J-3001645SN	3	-2	45	16	20	28	38	48	58
14		J-3001445SN	3	-4	45	14	18	26	36	46	56
12		J-3001245SN	3	-6	45	12	16	24	34	44	54
10		J-3001045SN	3	-8	45	10	14	22	32	42	52
8		J-3000845SN	3	-10	45	8	12	20	30	40	50

1-point hook cam TYPE JK

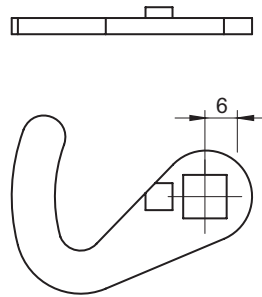
JK1-10018-G-M



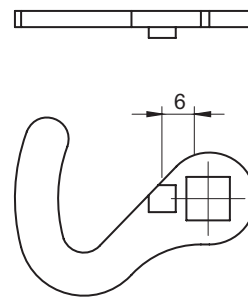
JK2-10018-G-M



JK1-16018-G-L-M



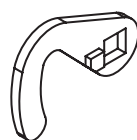
JK2-16018-G-P-M



JK1 Left



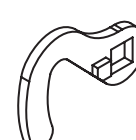
JK1 Right



JK2 Left



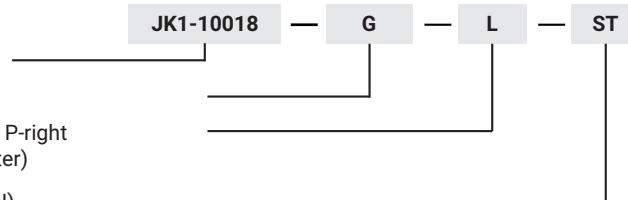
JK2 Right



CAT. NUMBER		DESCRIPTION	MATERIAL
JK1-10018-G-M	JK2-10018-G-M	Cam no limiter	ST - steel zinc plated SN - stainless steel
JK1-16018-G-L-M	JK2-16018-G-L-M	Left cam with limiter	
JK1-16018-G-P-M	JK2-16018-G-P-M	Right cam with limiter	

How to order :

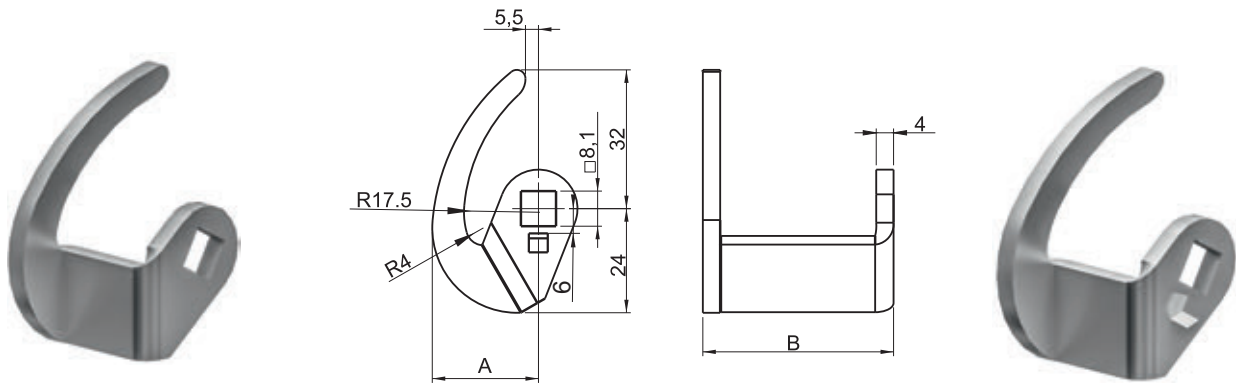
- Catalogue no.
- Thickness cam G=3, 4
- Closing direction L-left, P-right
(Only for cam with limiter)
- Material version (ST, SN)



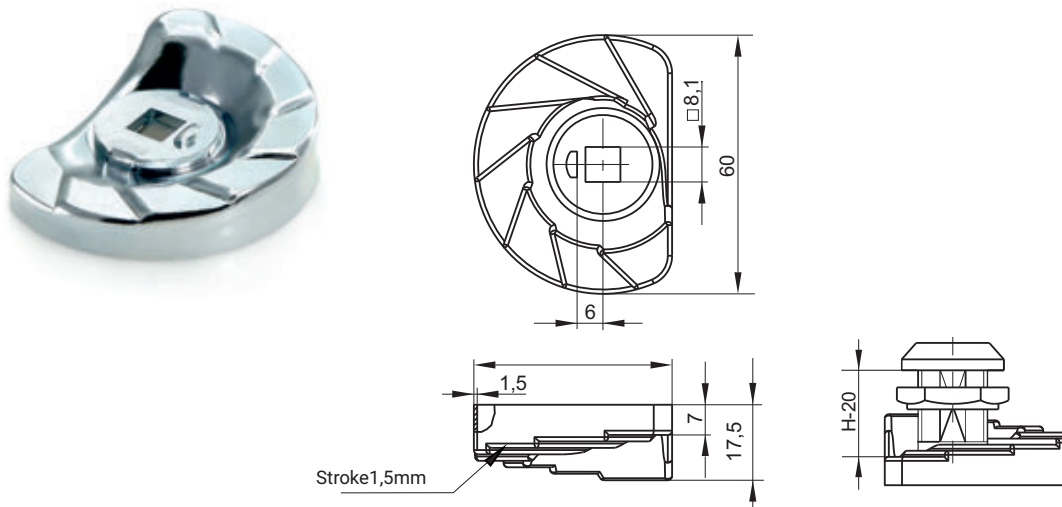


**1-point cam without limiter
TYP J-6000**

**1-point cam with limiter
TYP J-6000**



**1-point cam stepped
TYP JK-1610.01.**



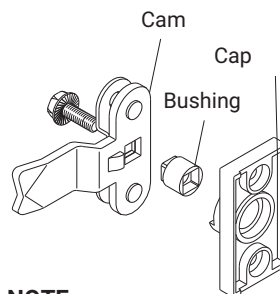
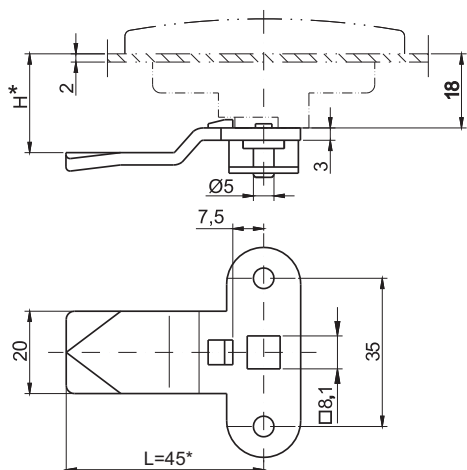
Dimension H 18mm: 20, 18.5, 17, 15.5, 14, 12.5, 11, 9.5
Cam works with housing 18, 30, 60

CAT. NUMBER		NAME	DIMENSION [mm]		
STEEL	STAINLESS STEEL		h	A	B
J-6000.01	J-6000.01SN	1-point cam hook without limiter	22	26	26
J-6000.02	J-6000.02SN		40	24,5	44
J-6000.03	J-6000.03SN	1-point cam hook with limiter	22	26	26
J-6000.04	J-6000.04SN		40	24,5	44
JK-1610.01		1-point cam stepped			

* *dimensions negotiable*



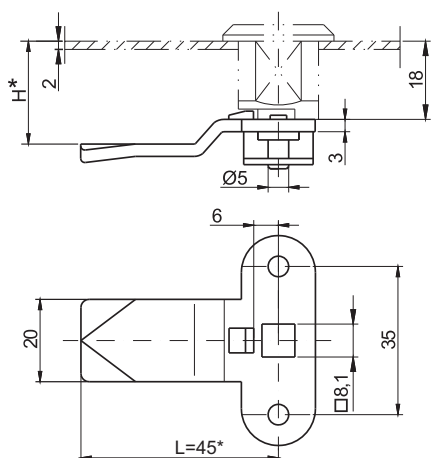
3-point CAM.
(with limiter and protective element for Cap)



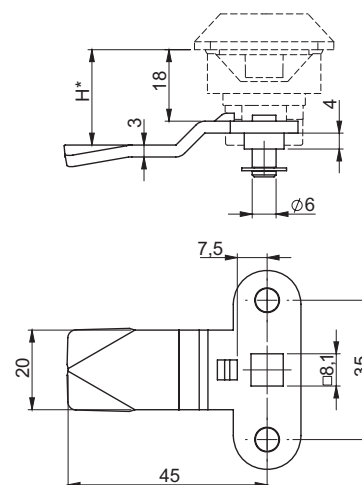
NOTE:
When ordering 3-point cam with limiter for cap, you must order bushing, page 1C-27.



3-point CAM.
(with limiter and protective element)



3-point CAM.
(with limiter)

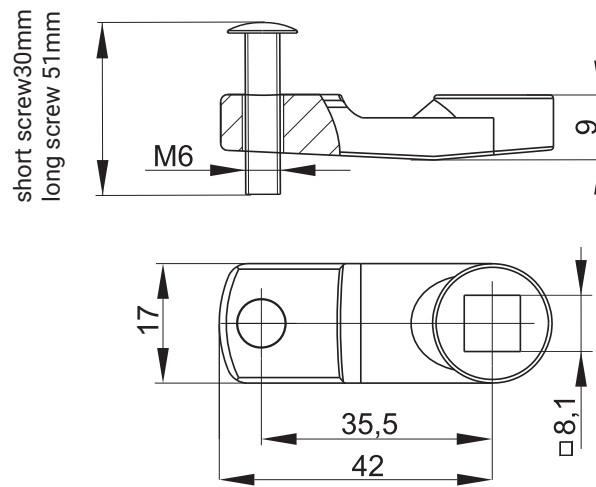


38	CAT. NUMBER		NAME	DIMENSION H [mm]	MATERIAL
	SEEL ZINC PLATED	STAINLESS STEEL			
CAM RANGE [G]	JBN-37518	JBN-37518SN	3-point cam with limiter and protective element used with cap, pager 1C-9	18	Steel zinc plated or Stainless Steel
	JBN-37521	JBN-37521SN		21	
	JBN-37524	JBN-37524SN		24	
	JBN-37529	JBN-37529SN		29	
	JB-37518	JB-37518SN	3-point cam with limiter and protective element	18	Steel zinc plated or Stainless Steel
	JB-37521	JB-37521SN		21	
	JB-37524	JB-37524SN		24	
	JB-37529	JB-37529SN		29	
	JA-3751845	JB-3751845SN	3-point cam with limiter	18	Steel zinc plated or Stainless Steel
	JA-3752145	JB-3752145SN		21	
	JA-3752445	JB-3752445SN		24	
	JA-3752945	JB-3752945SN		29	

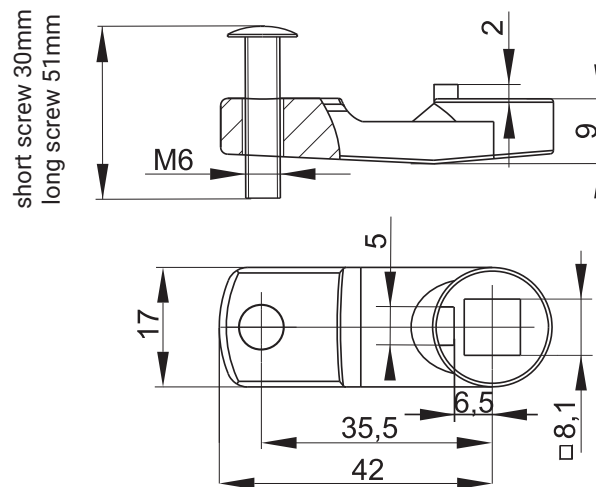
* dimension negotiable - extra charge



1-point CAM JZ
(without limiter)

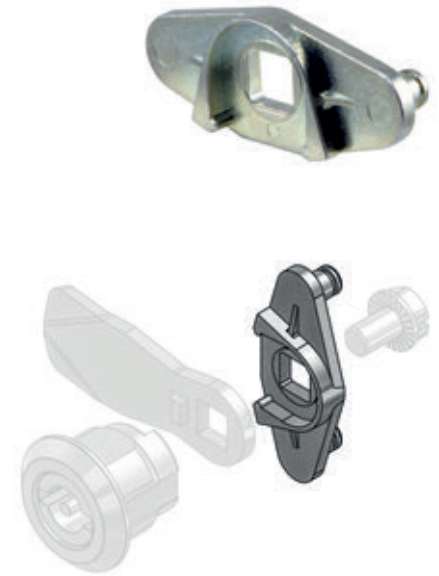
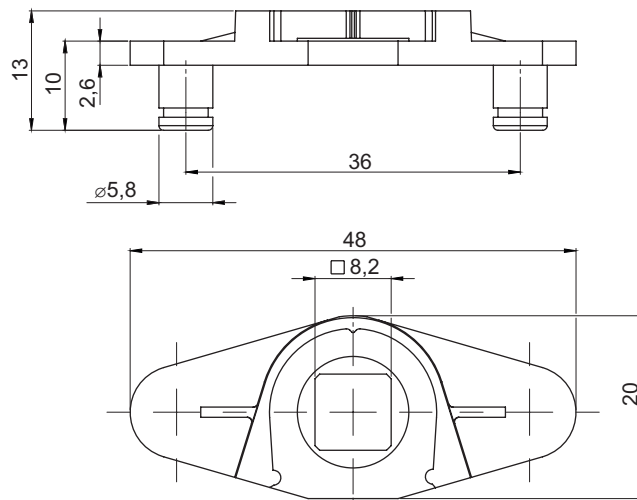


1-point CAM JZ
(with limiter)



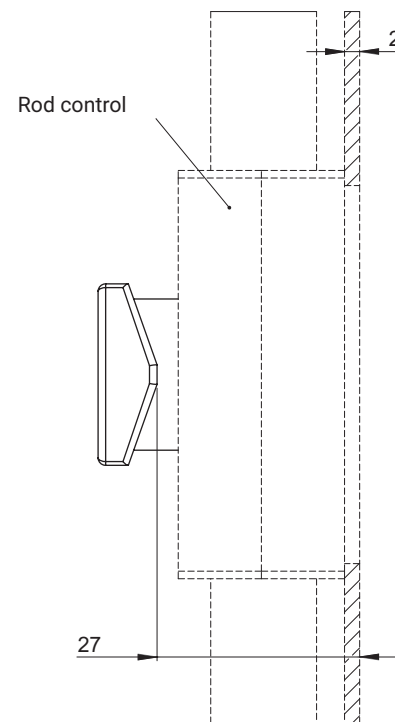
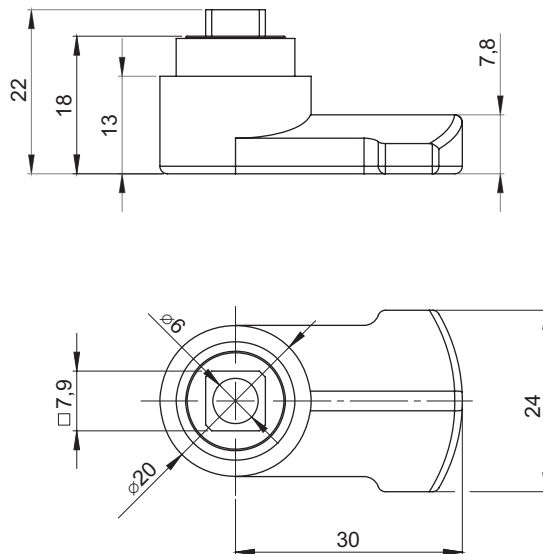
CAT. NUMBER	NAME	MATERIAL
JZ-001	1-point CAM JZ without limited	Zamak - RAL 9005, zinc plated, chrome
JZ-002	1-point CAM JZ with limited	Zamak - RAL 9005, zinc plated, chrome

Cam adapter JC-20018/36 Cam ZAMAK JZN-10027/30



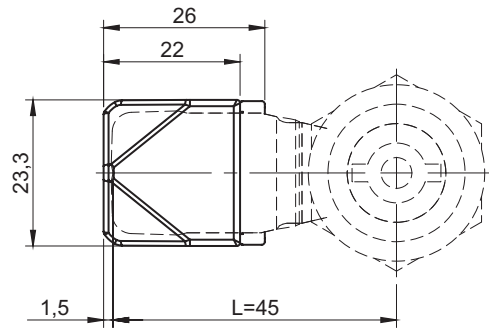
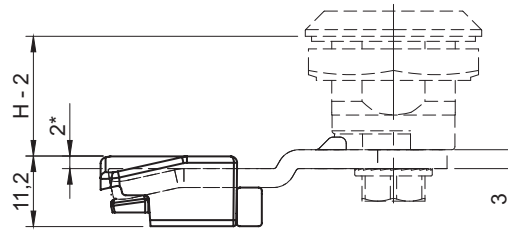
CATALOGUE NO.	DETAIL	MATERIAL
JC-20018/36	Cam adapter	ZAMAK, zinc plated

Cam adapter JC-20018/36 is fitted with the rod 1C.904.051.
and group of cams 1-point no. 11, 12, 13, 14, 15, 16 i 17 (pg. 1C-10 - 1C-13)

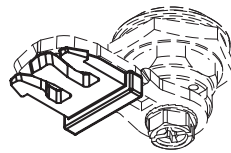


CATALOGUE NO.	DETAIL	MATERIAL
JZN-10027/30	Cam	ZAMAK, zinc plated

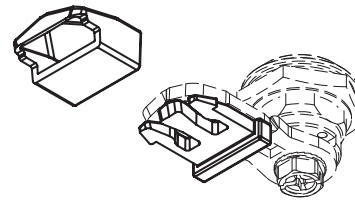
Adapter fitted with rod control.
(pg.: 1C-28 - 1C-33)



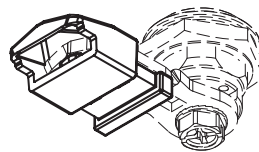
1. Place the clip at the bottom end of the cam



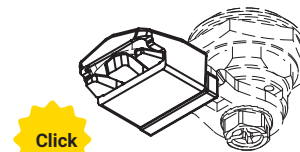
2. Slide the cap onto the clip



3. Holding the clip and the cam slide the cap on completely



4. The cap will eventually slide into place, signaled by a distinct click



* The addition of the Sliding End Cap decreases the functioning height H by 2mm.

- Good material properties ensure less friction on contact.

- The use of the Sliding End Cap prevents metal-on-metal contact which increases the safety of electrical and electronic components inside the cabinet.

Sliding End Cap 1C.920.001 is compatible with cams:

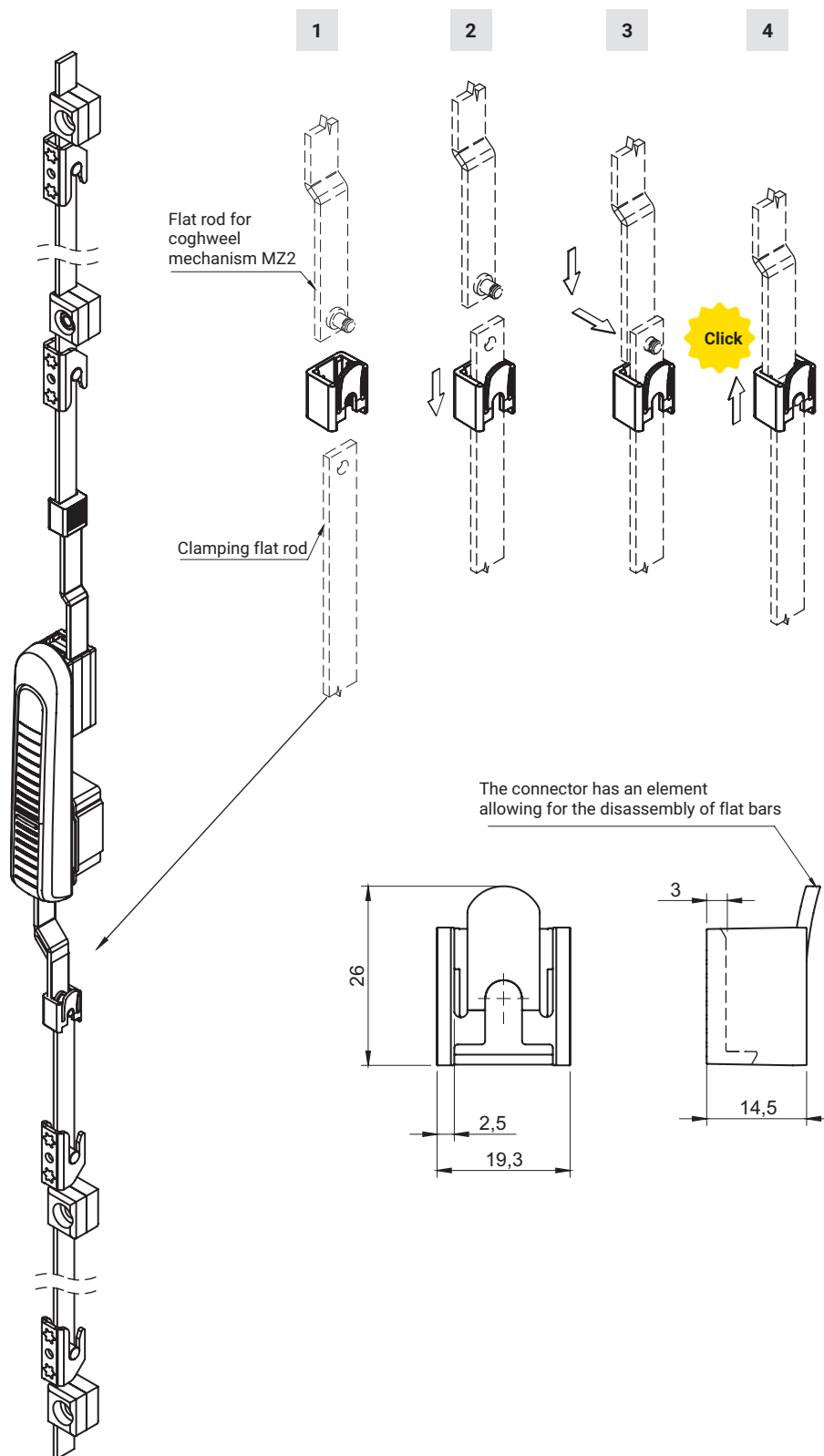
J-175.20.45, J-175.23.45, J-175.26.45, J-175.29.45,

CATALOGUE NO.

1C.920.001

MATERIAL

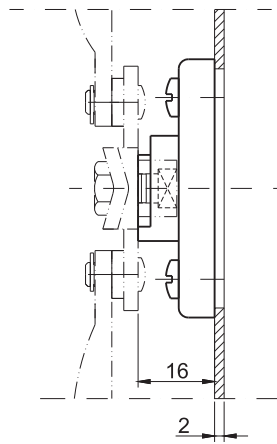
Natural POM



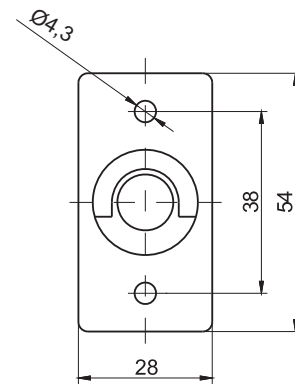
The MZ2 quick-mount bracket for the MZ2 gear unit flat bars with clamping bars is compatible with:

- flat bars with rollers: A20, A25 page 1C-34,
- flat clamping bars on the round hole P: ver. A, ver. B, ver. C, ver. D pg. 1C-36 - 1C-40

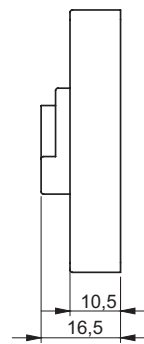
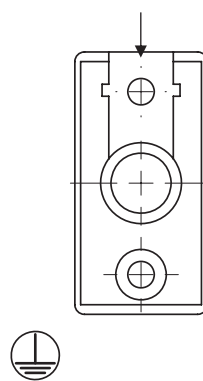
CATALOGUE NO.	MATERIAL
1C.921.001	Polyamide PA6 GF30



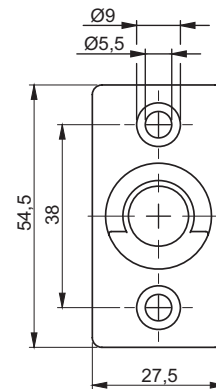
CAP
1C.902.001



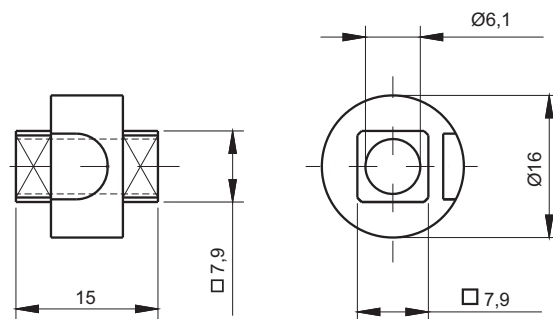
Cap can be fitted with earthing



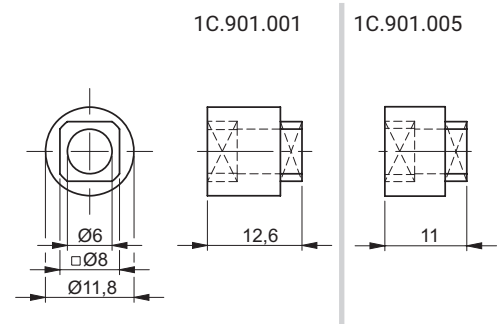
CAP
1C.902.003



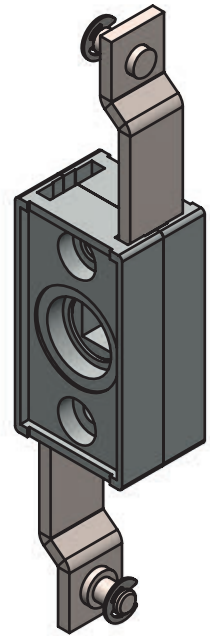
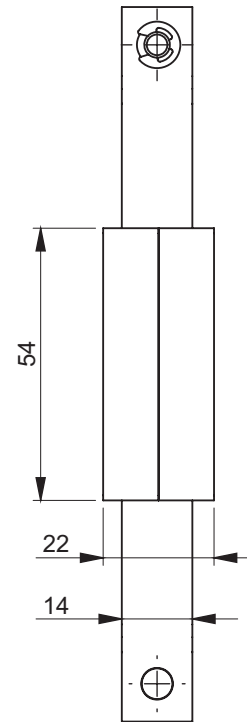
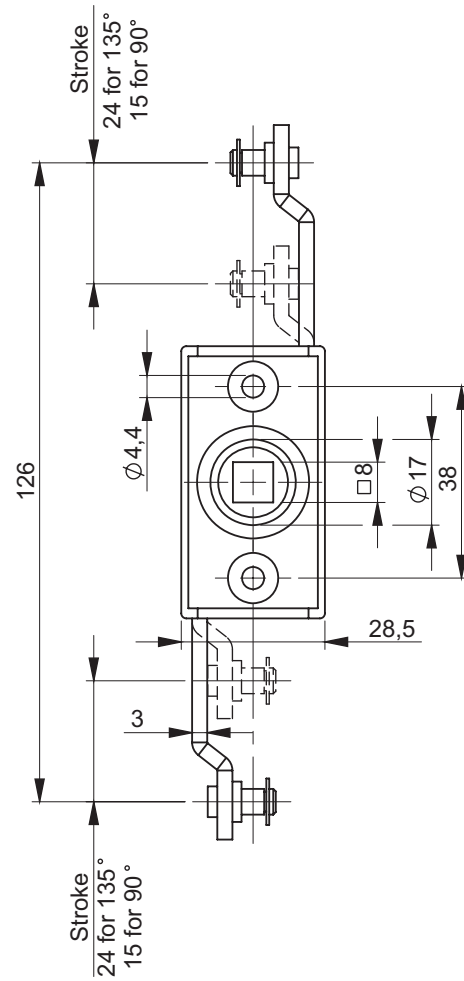
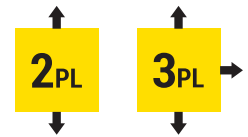
ADAPTER
1C.903.001



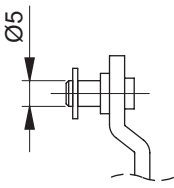
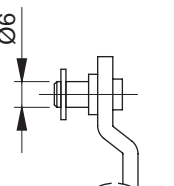
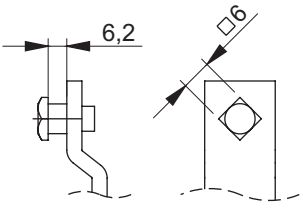
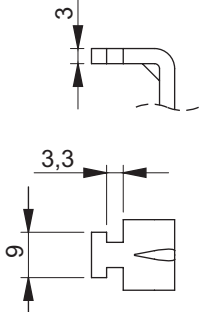
BUSHING

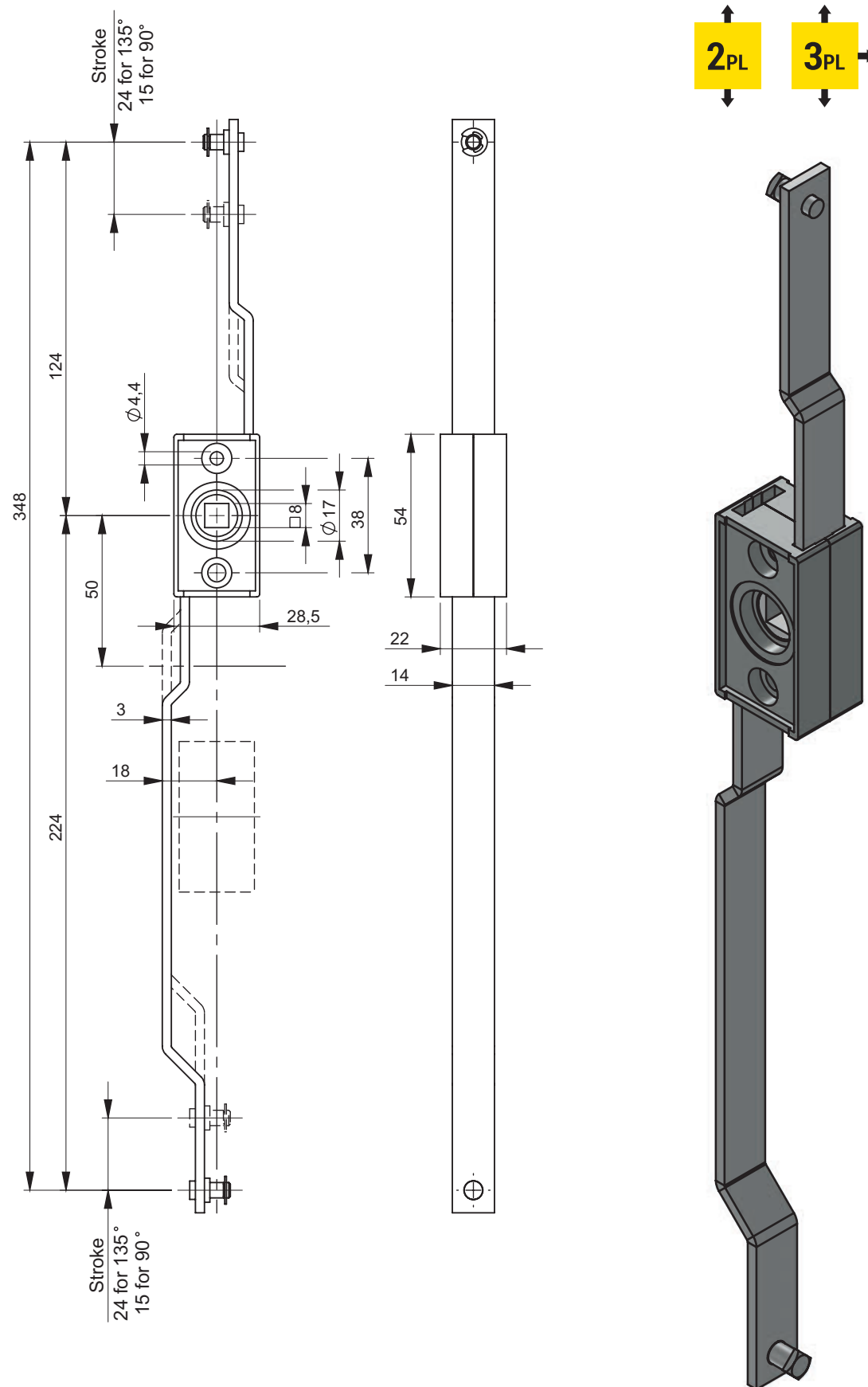


CAT. NUMBER	NAME	MATERIAL
1C.901.001	Bushing for doors at thickness 2,5mm	ZAMAK
1C.901.001SN	Bushing for doors at thickness 2,5mm	Stainless steel
1C.901.005	Bushing for doors at thickness 1,5mm	ZAMAK
1C.901.005SN	Bushing for doors at thickness 1,5mm	Stainless steel
1C.902.001	Cap	ZAMAK
1C.902.001SN	Cap	Stainless steel
1C.902.003	Cap PA	Polyamide
1C.903.001	Adapter	ZAMAK
1C.903.001SN	Adapter	Stainless steel

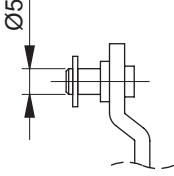
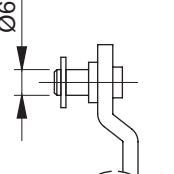
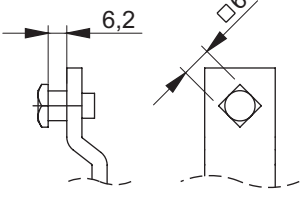
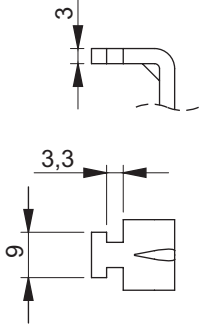


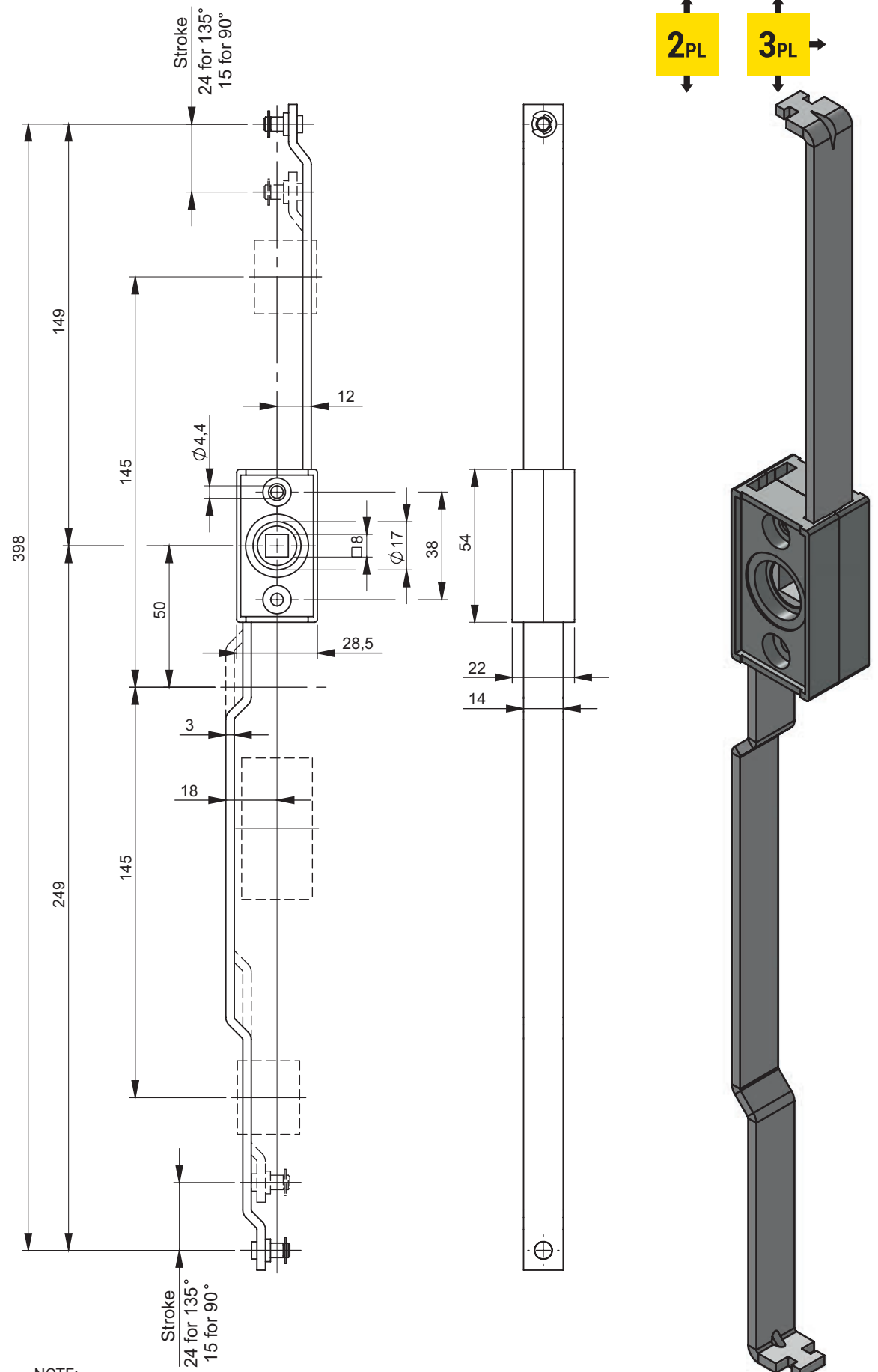
NOTE:
When ordering cogwheel mechanism MZ1K or MZ1P you must order flat rod with correct hole

Version	CATALOGUE NO.	COMPONENTS	
		Housing	Flat rods
MZ1 	MZ1	ZAMAK5	Stainless steel
	MZ1-PA	Polyamide PA6	Stainless steel
	MZ1-PA-SN		
	MZ1-SN	Stainless steel	
MZ1-6 	MZ1-6	ZAMAK5	Steel zink plated
	MZ1-6-PA	Polyamide PA6	Stainless steel
	MZ1-6-PA-SN		
	MZ1-6-SN	Stainless steel	
MZ1K 	MZ1K	ZAMAK5	Steel zink plated
	MZ1K-PA	Polyamide PA6	Stainless steel
	MZ1K-PA-SN		
	MZ1K-SN	Stainless steel	
MZ1P 	MZ1P	ZAMAK5	Steel zink plated
	MZ1P-PA	Polyamide PA6	Stainless steel
	MZ1P-PA-SN		
	MZ1P-SN	Stainless steel	

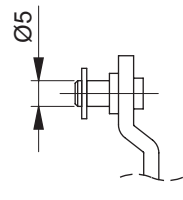
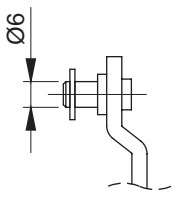
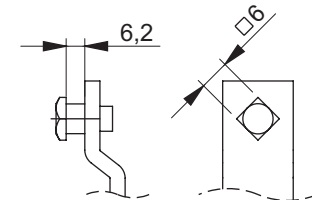
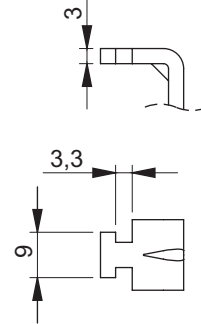


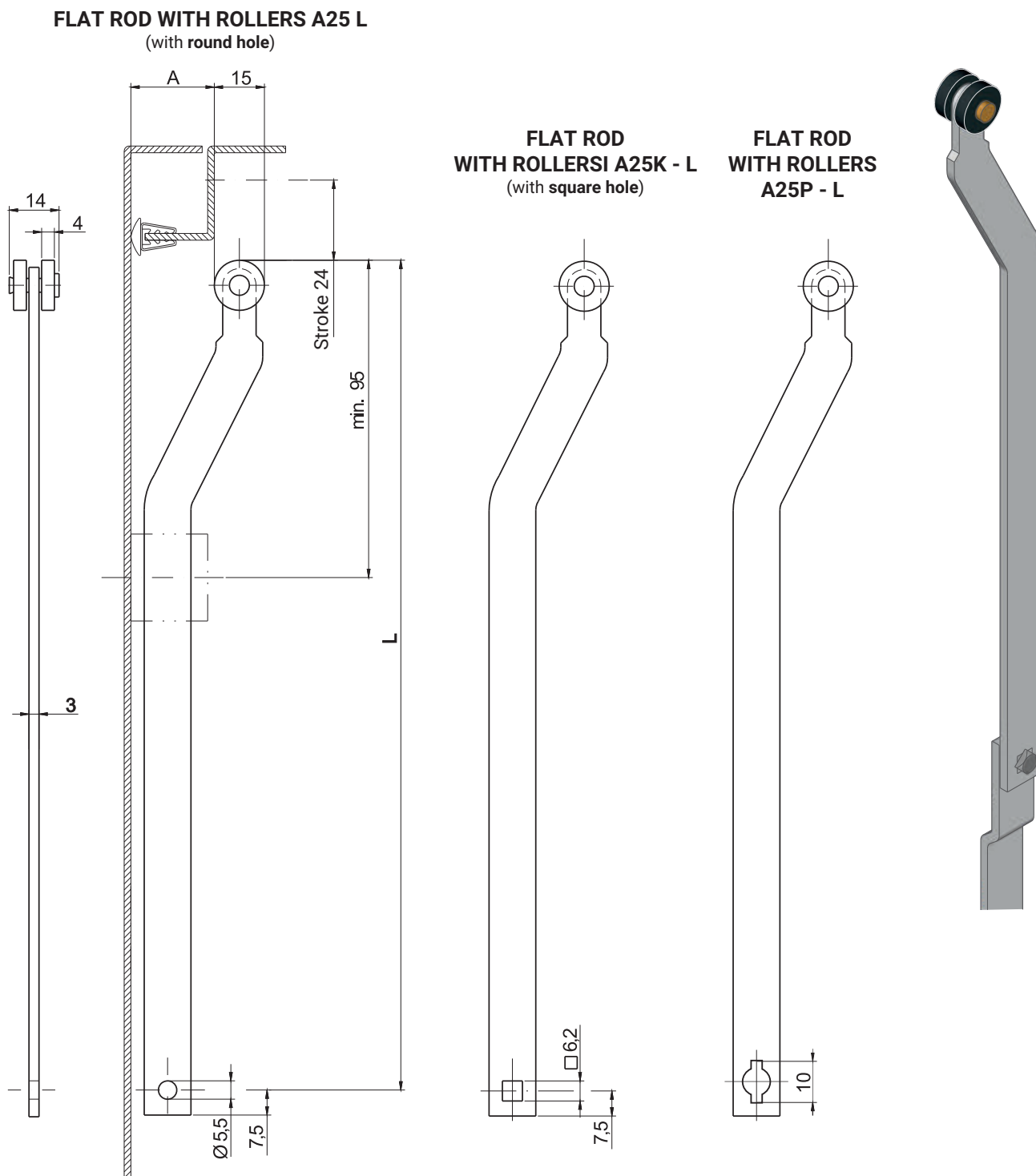
NOTE:
When ordering cogwheel mechanism MZ2K or MZ2P you must order flat rod with correct hole

Version	CATALOGUE NO.	COMPONENTS	
		Housing	Flat rods
MZ2 	MZ2	ZAMAK5	Stainless steel
	MZ2-PA	Polyamide PA6	Stainless steel
	MZ2-PA-SN		
	MZ2-SN	Stainless steel	
MZ2-6 	MZ2-6	ZAMAK5	Steel zink plated
	MZ2-6-PA	Polyamide PA6	Stainless steel
	MZ2-6-PA-SN		
	MZ2-6-SN	Stainless steel	
MZ2K 	MZ2K	ZAMAK5	Steel zink plated
	MZ2K-PA	Polyamide PA6	Stainless steel
	MZ2K-PA-SN		
	MZ2K-SN	Stainless steel	
MZ2P 	MZ2P	ZAMAK5	Steel zink plated
	MZ2P-PA	Polyamide PA6	Stainless steel
	MZ2P-PA-SN		
	MZ2P-SN	Stainless steel	



NOTE:
When ordering cogwheel mechanism MZ3K or MZ3P you must order flat rod with correct hole

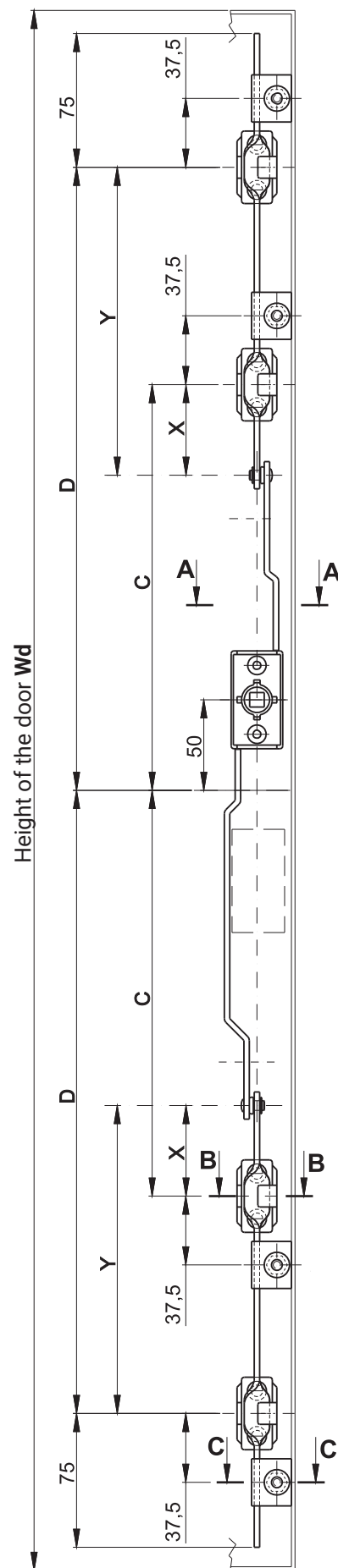
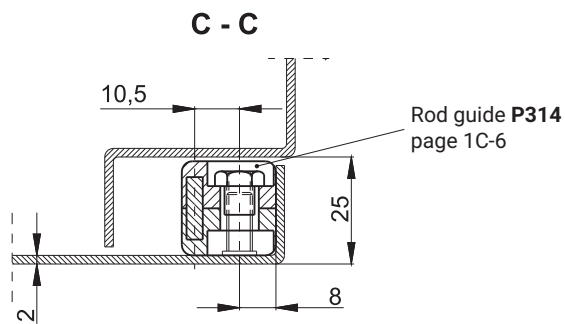
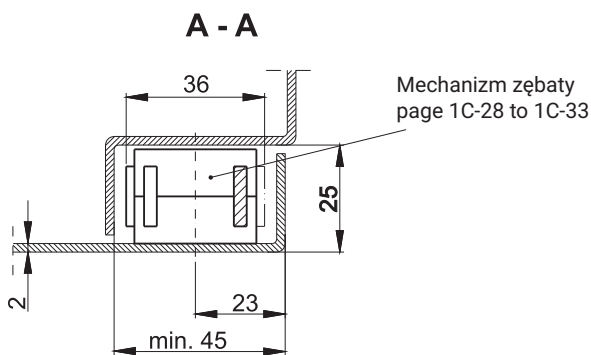
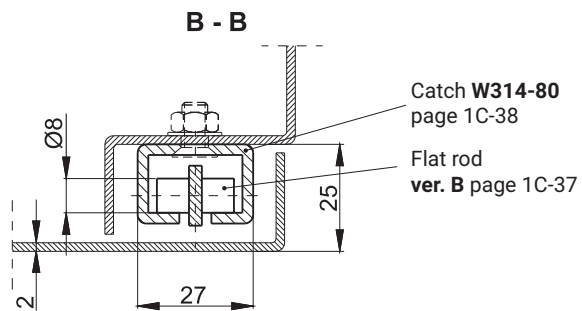
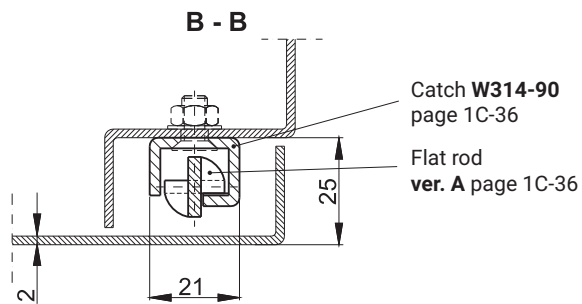
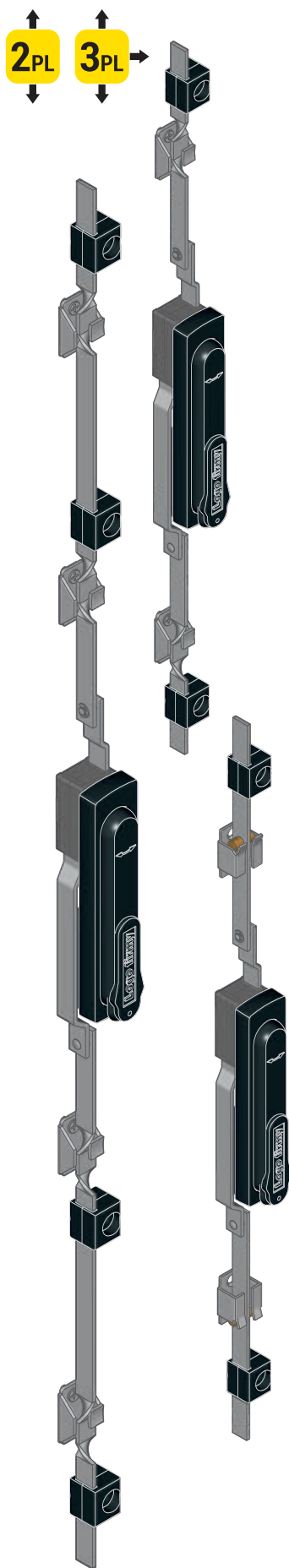
Version	CATALOGUE NO.	COMPONENTS	
		Housing	Flat rods
MZ3 	MZ3	ZAMAK5	Steel zink plated
	MZ3-PA	Polyamide PA6	Stainless steel
	MZ3-PA-SN		
	MZ3-SN	Stainless steel	
MZ3-6 	MZ3-6	ZAMAK5	Steel zink plated
	MZ3-6-PA	Polyamide PA6	Stainless steel
	MZ3-6-PA-SN		
	MZ3-6-SN	Stainless steel	
MZ3K 	MZ3K	ZAMAK5	Steel zink plated
	MZ3K-PA	Polyamide PA6	Stainless steel
	MZ3K-PA-SN		
	MZ3K-SN	Stainless steel	
MZ3P 	MZ3P	ZAMAK5	Steel zink plated
	MZ3P-PA	Polyamide PA6	Stainless steel
	MZ3P-PA-SN		
	MZ3P-SN	Stainless steel	



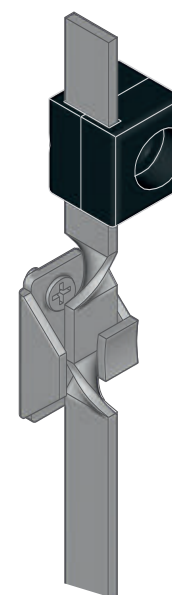
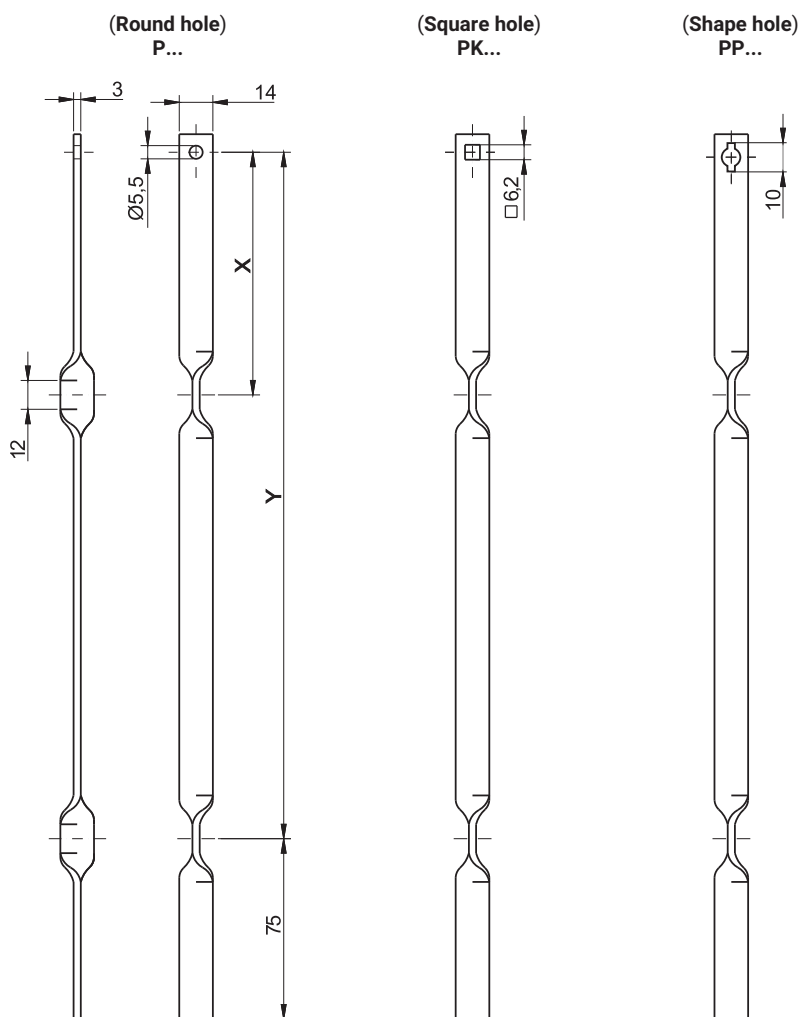
NOTE: Additionally possibility of ordering rubber profile, page 6-1 to 6-15, 6-10 to 6-11

CAT. NUMBER	NAME	MATERIAL	DIMENSIONS	
			A	L
A20 - L	Flat rod with rollers with round hole	Flat rod - steel zinc plated Rollers - PA6	20	Dimensions negotiable
A25 - L	Flat rod with rollers with round hole		25	
A20K - L	Flat rod with rollers with square hole		20	
A25K - L	Flat rod with rollers with square hole		25	
A20P - L	Flat rod with rollers		20	
A25P - L	A20P - L, A25P - L		25	

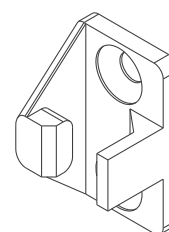
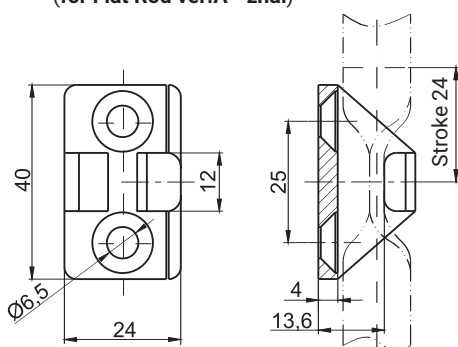
- **Fox example:** A25K-300 means flat rod 3x14mm, dimension A=25, length L=300mm with square hole
- **Possibility** of producing other flat rod on special request



FLAT ROD
ver. A

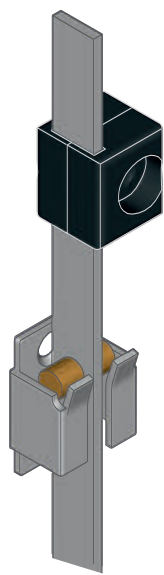


CATCH W314-90
(for Flat Rod ver.A - znal)

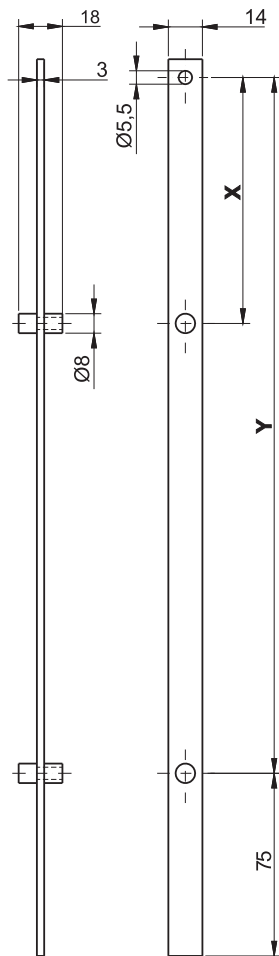


CATALOGUE NUMBER FLAT ROD VER. A			DOOR HEIGHT Wd	DIMENSION TO THE FLAT ROD		DIMENSION TO DOOR CENTER		MATERIAL
Round hole	Square hole	Shape hole		X	Y	C	D	
P190-210	PK190-210	PP190-210	800 - 1200	-	126	-	300	Steel zinc plated
P190-351	PK190-351	PP190-351	1200- 1600	-	276	-	450	
P290-601	PK290-601	PP290-601	1600 - 1900	101	526	275	700	
P290-751	PK290-751	PP290-751	1900 - 2200	101	676	275	850	
CAT. NUMBER		NAME		MATERIAL				
1C.907.001		Catch for flat rod ver. A		ZAMAK - powder painted				

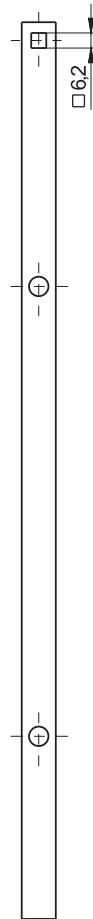
FLAT ROD ver. B



(Round hole)
P...



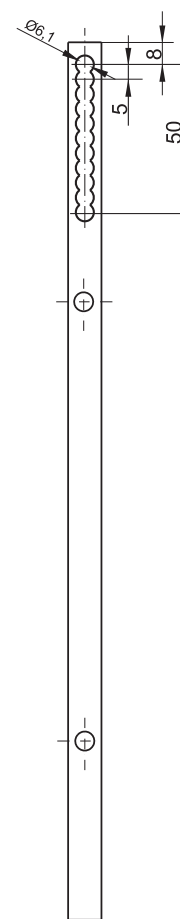
(Square hole)
PK...



(Shape hole)
PP...



(Round hole regulated)
PR...

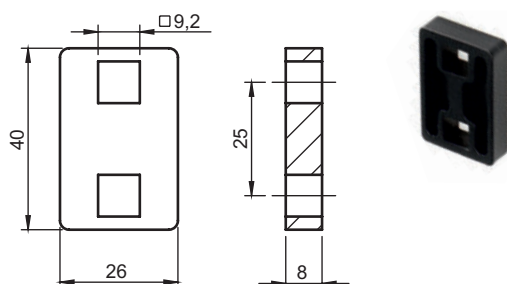


CATALOGUE NUMBER FLAT ROD VER. B			DOOR HEIGHT Wd	DIMENSION OF THE FLAT ROD		DIMENSION TO DOOR CENTER		MATERIAL
Round hole	Square hole	Shape hole		X	Y	C	D	
P18-210	PK18-210	PP18-210	800 - 1200	-	126	-	300	Steel zinc plated
P18-351	PK18-351	PP18-351	1200- 1600	-	276	-	450	
P28-601	PK28-601	PP28-601	1600 - 1900	101	526	275	700	
P28-751	PK28-751	PP28-751	1900 - 2200	101	676	275	850	

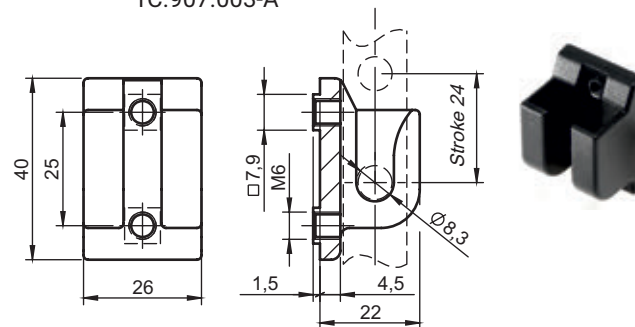
Dimensions C and D page 1C-35.

Catch for flat rod ver. B

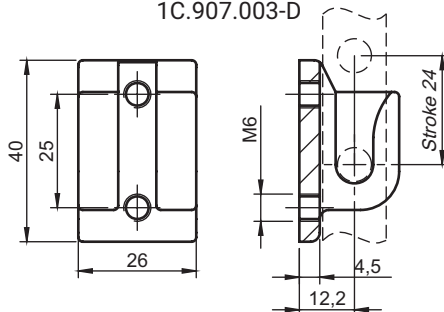
Distance D314-85



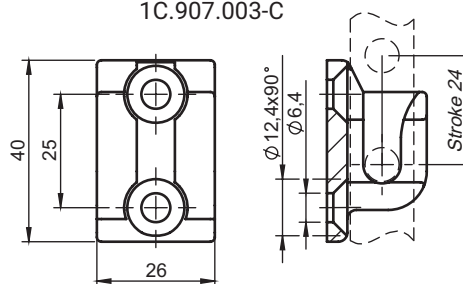
Catch W314-85-A
1C.907.003-A



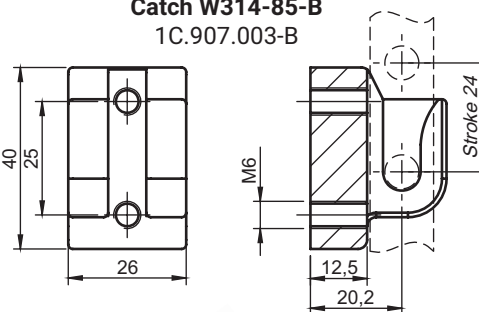
Catch W314-85-D
1C.907.003-D



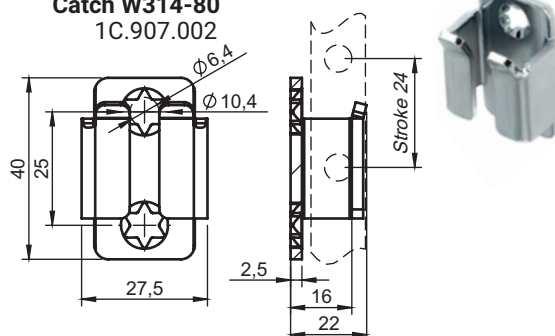
Catch W314-85-C
1C.907.003-C



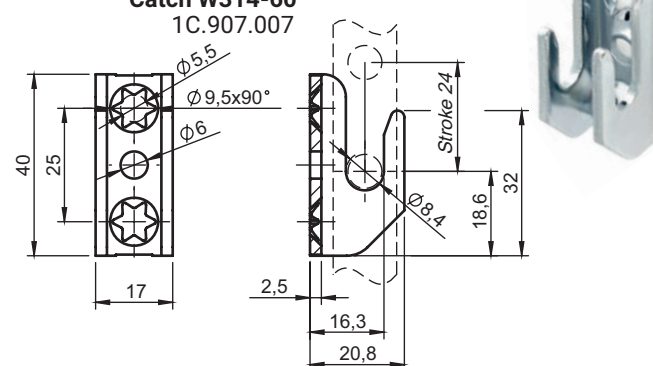
Catch W314-85-B
1C.907.003-B



Catch W314-80
1C.907.002

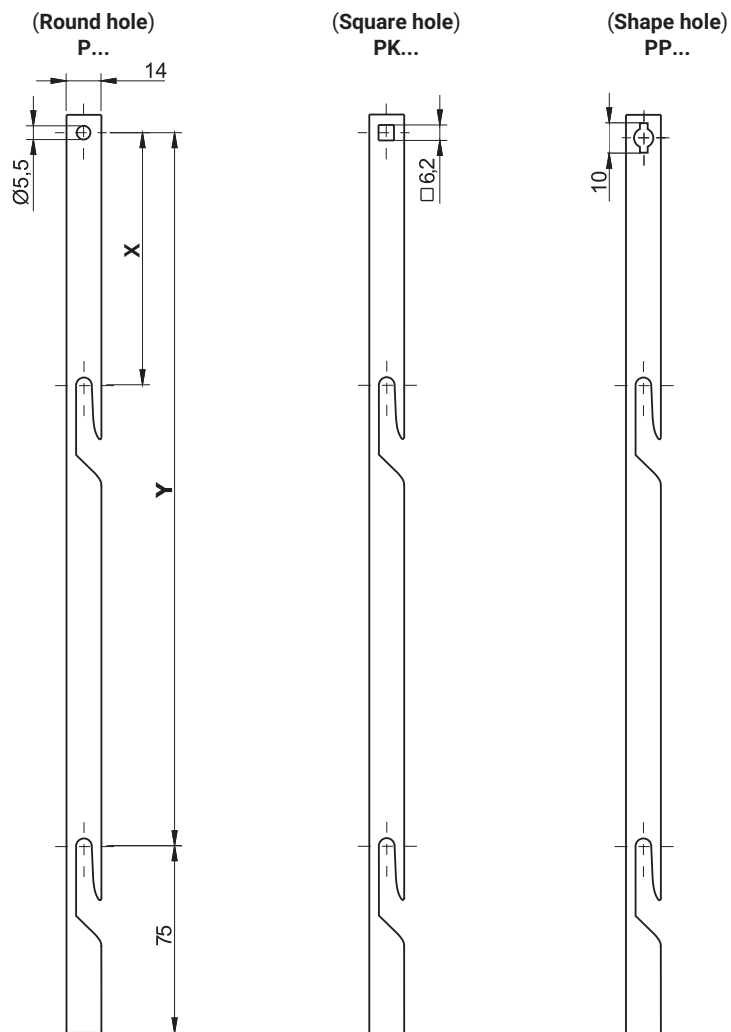


Catch W314-60
1C.907.007

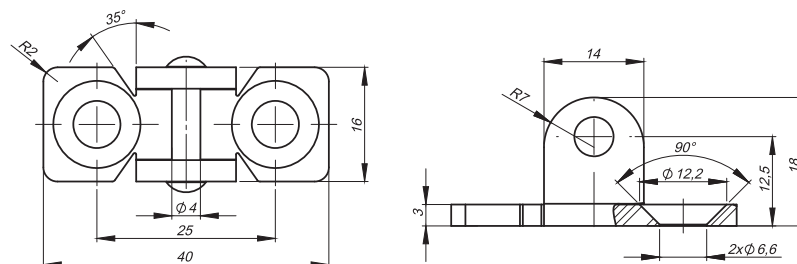


CAT. NUMBER	NAME	MATERIAL
1C.908.001	Distance D314-85 for catch 1C.907.003.001	ZAMAK5
1C.907.003-A	Catch W314-85-A	ZAMAK5
1C.907.003-B	Catch W314-85-B	ZAMAK5
1C.907.003-C	Catch W314-85-C	ZAMAK5
1C.907.003-C SN	Catch W314-85-C	Stainless steel
1C.907.003-D	Catch W314-85-C	ZAMAK5
1C.907.002	Catch W314-80	Steel zinc plated
1C.907.007	Catch W314-60	Steel zinc plated

FLAT ROD ver. C



CATCH W314-70 (for Flat Rod ver. C - steel)

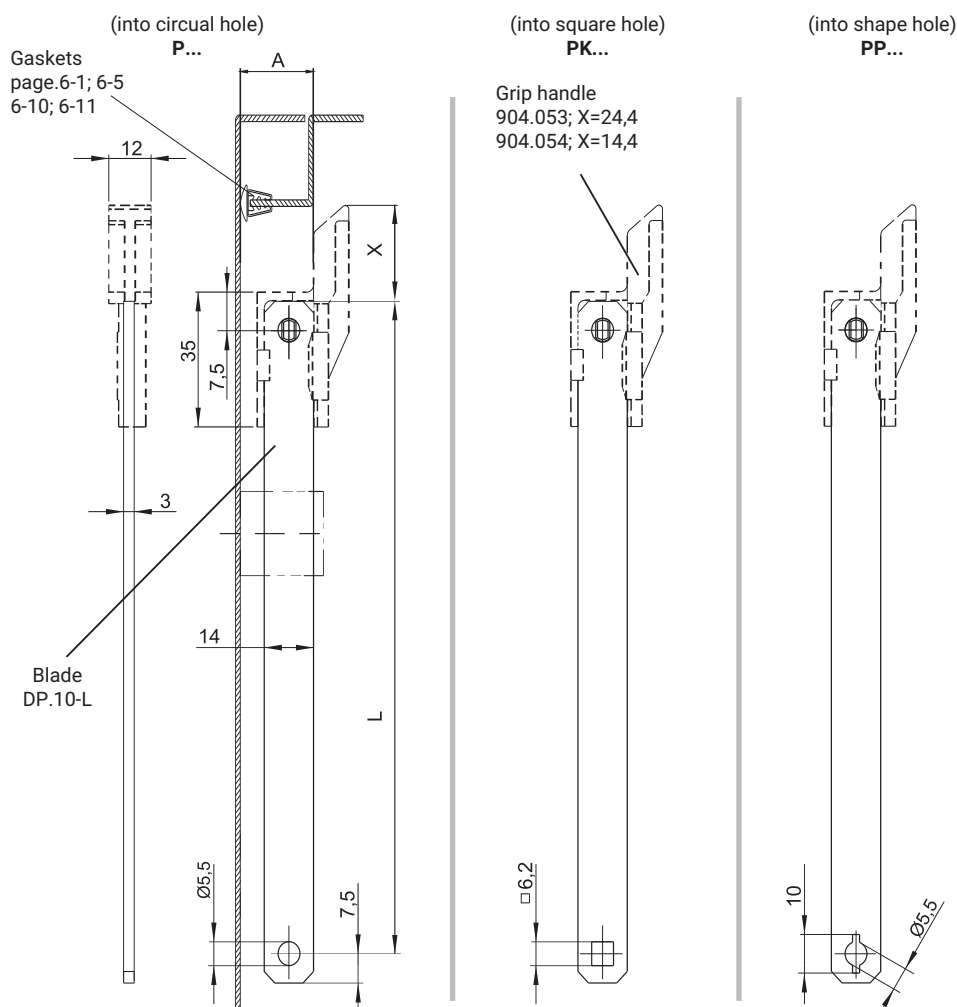


CATALOGUE NUMBER FLAT ROD VER. C			DOOR HEIGHT Wd	DIMENSION OF THE FLAT ROD		DIMENSION TO DOOR CENTER		MATERIAL
Round hole	Square hole	Shape hole		X	Y	C	D	
P390-210	PK390-210	PP38-210	800 - 1200	-	126	-	300	Steel zinc plated
P390-351	PK390-351	PP38-351	1200 - 1600	-	276	-	450	
P490-601	PK490-601	PP48-601	1600 - 1900	101	526	275	700	
P490-751	PK490-751	PP48-751	1900 - 2200	101	676	275	850	

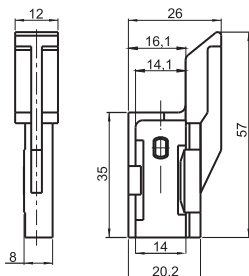
1C-39

CAT. NUMBER	NAME	MATERIAL
1C.907.004	Catch for flat rod ver. C	Steel zinc plated

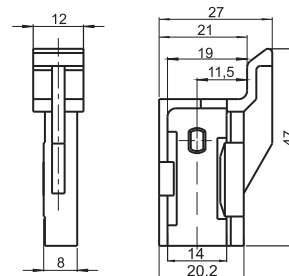
FLAT ROD ver. D



GRIP HANDLE
1C.904.053

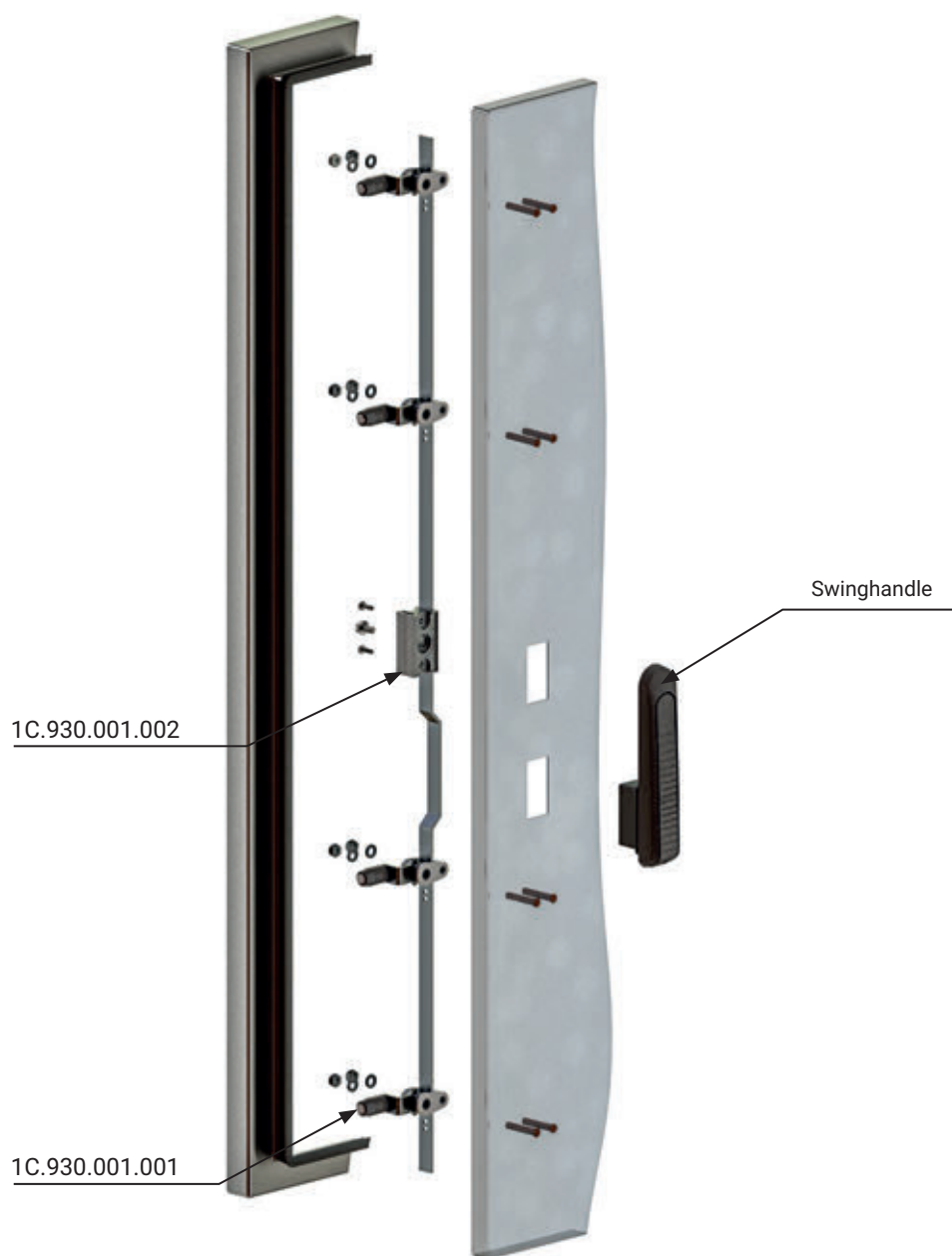


GRIP HANDLE
1C.904.054



CAT. NUMBER		NAME	DIMENSION		MATERIAL
Steel zinc plated	Steel 1.4301		L		
DP.01 - L	DP.02 - L	Band pressing into circular hole	400	Other dimensions to be agreed	Band pressing - steel zinc plated, stainless steel
DPK.01 - L	DPK.02 - L		500		
DPP.01 - L	DPP.02 - L	Band pressing into square hole	600		
			700		
			800		
DPP.01 - L	DPP.02 - L	Band pressing into shaped hole	900		
			1000		
			A		
1C.904.053		Grip handle	17,5		PA-6 RAL9005
1C.904.054			22,5		

- **Order example:** A23K-300 means band pressing 3x14mm, dimension A=23, length of L=300mm into square
- **Capability** of execution flat according to individual orders



CATALOGUE NUMBER	DESCRIPTION	COMPONENTS	MATERIAL
1C.930.001.001	Bolt	Roll	POM
		Cam	Steel zinc plated
1C.930.001.002	Cogwheel mechanism with flat rod	Housing	ZAMAK
		Flat rod	Steel zinc plated

How to order :

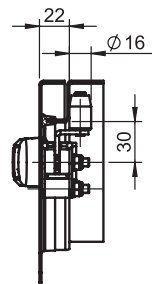
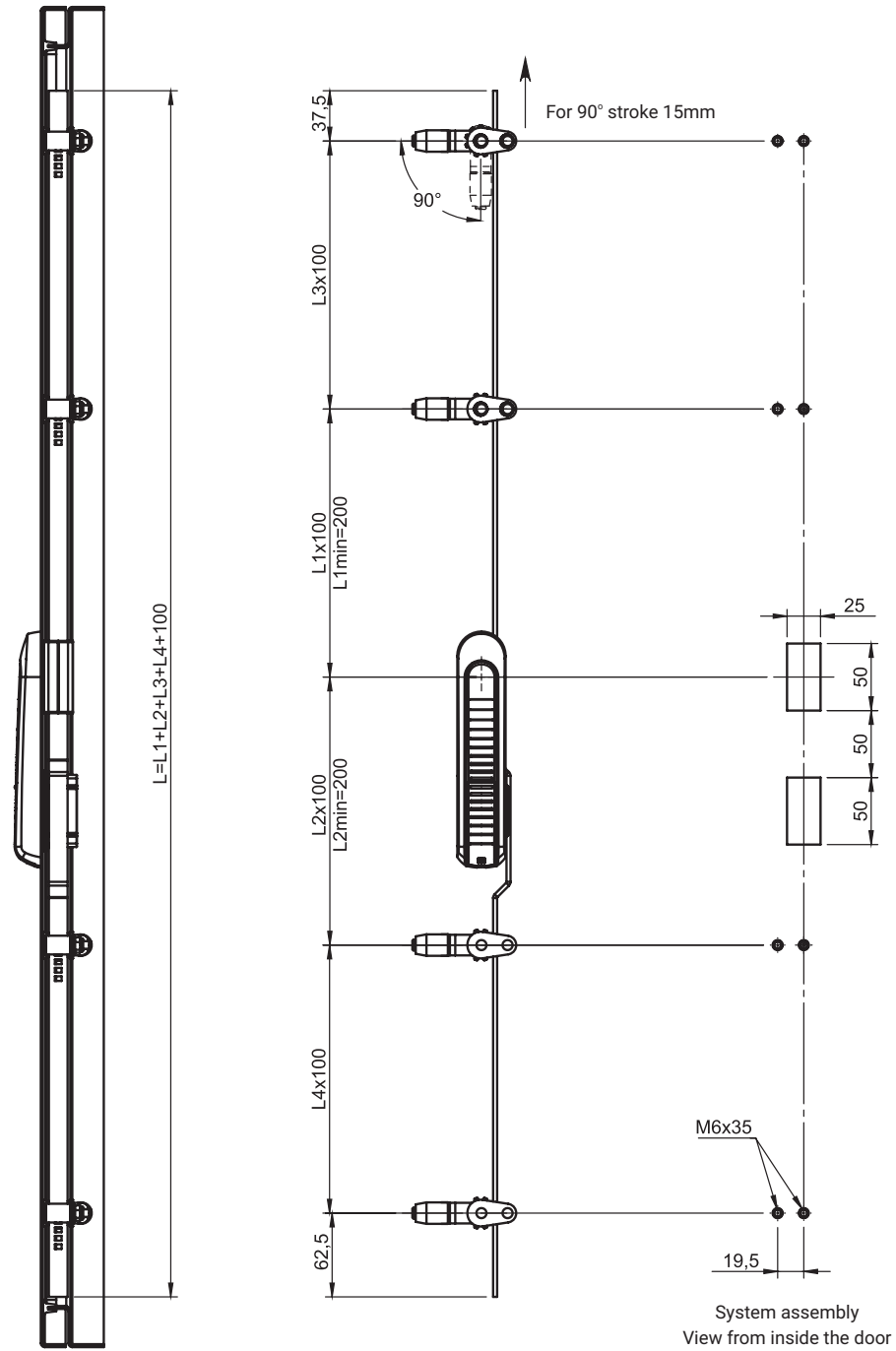
Catalogue number

** distance between locks

**for the 1C.390.001.002 detail, the lengths L1, L2, L3 and L4 must be additionally specified in case of a 2-point system, indicate only the lengths L1 and L2

Individual system components to be ordered separately

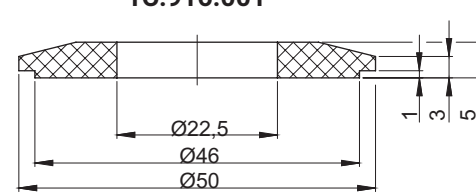




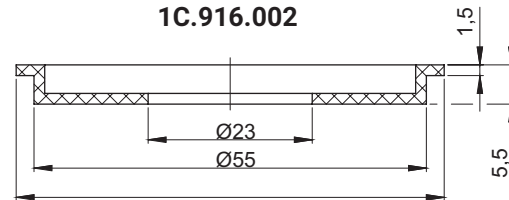
For 2-point system L3 and L4=0
Maximum total length of flat bar L = 2000mm
The system works with all locks for the mounting hole 50x50x50x50



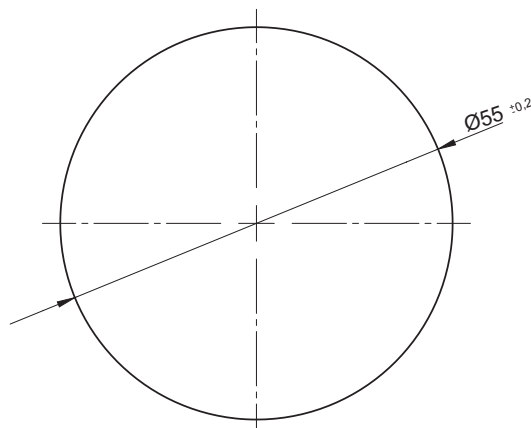
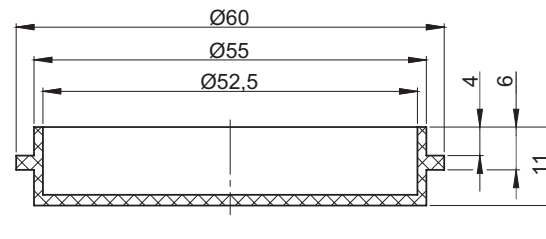
1C.916.001



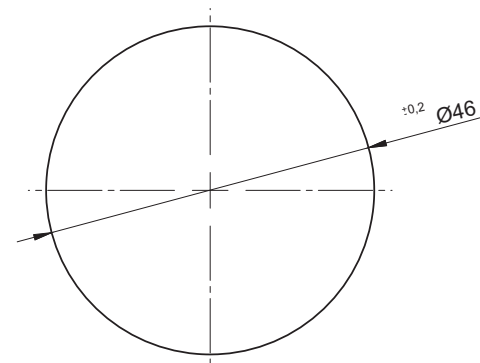
1C.916.002



1C.916.003



Cut out 1C.916.002 i 1C.916.003



Cut out 1C.916.001

CATALOGUE NO.	DETAIL	MATERIAL
1C.916.001	Adapter RS Ø23-Ø46	Polyamide
1C.916.002	Adapter RS Ø23-Ø55	
1C.916.003	Adapter RS Ø55	



1

Locking systems

2

Locks
Latches



3

Hinges

4

Clamps



5

Accessories



6

Gasketing profiles

7

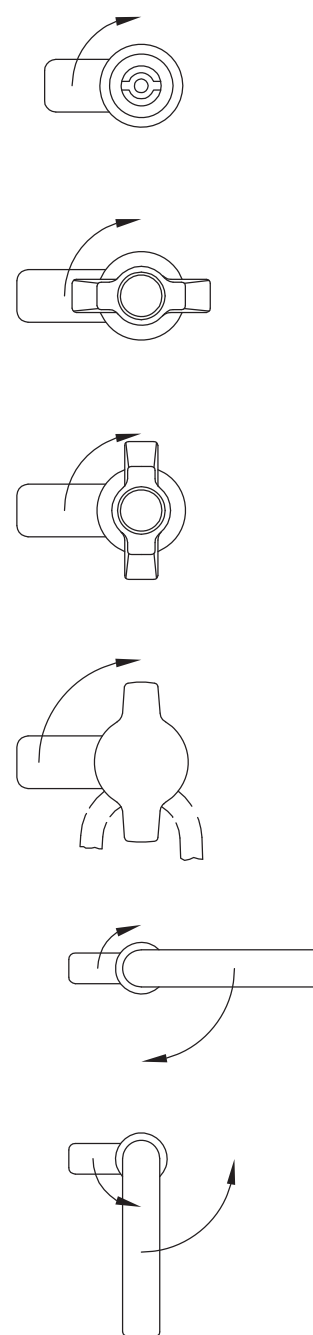
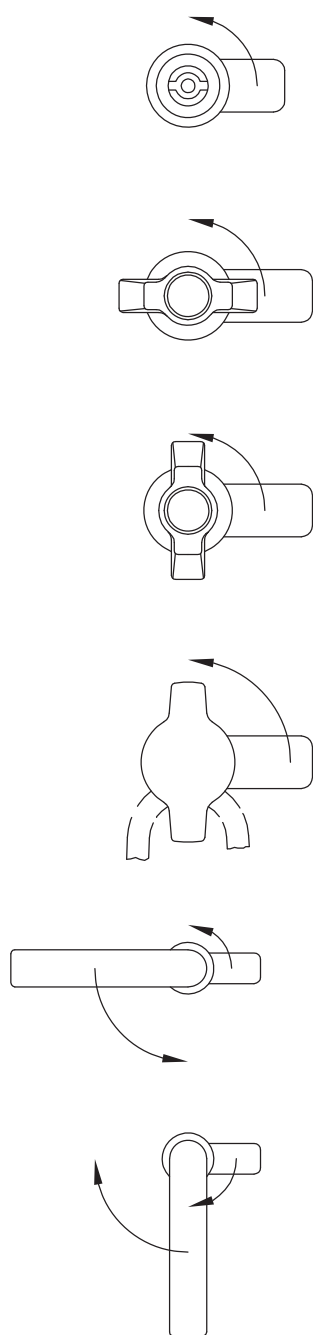
Custom products



Locks in the closed position
arrow indicates the direction of opening

LOCKS FOR LEFT DOORS

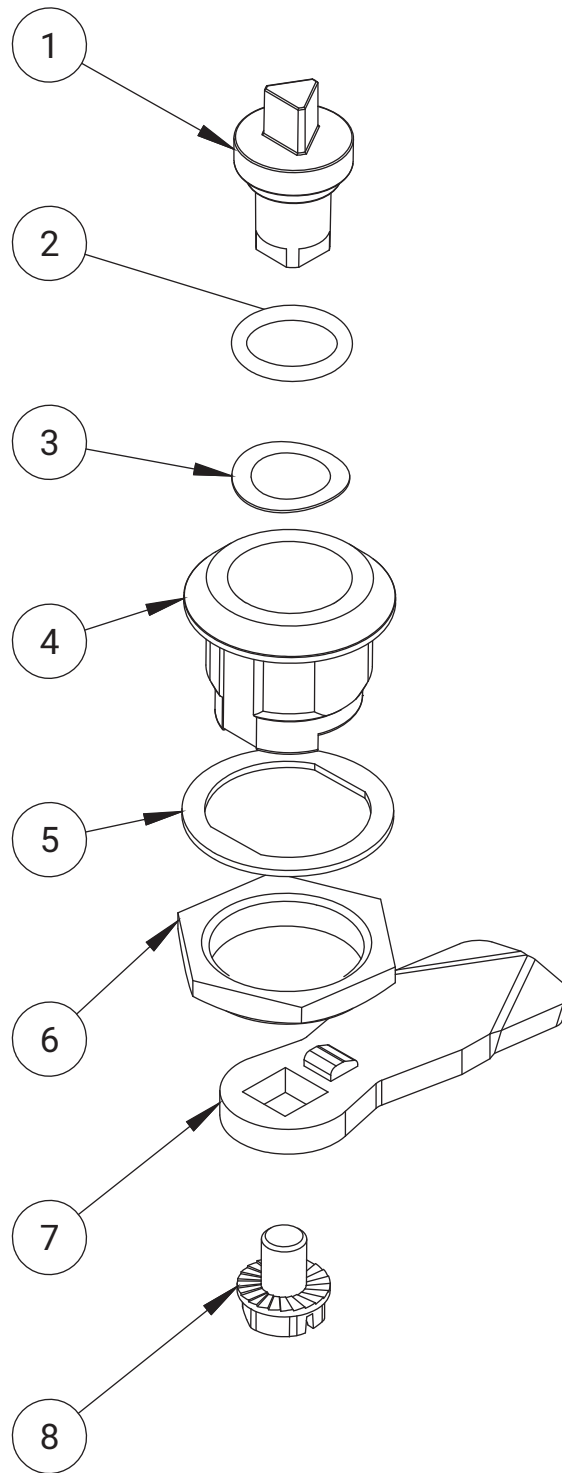
LOCKS FOR RIGHT DOORS



2A-1

| Locks

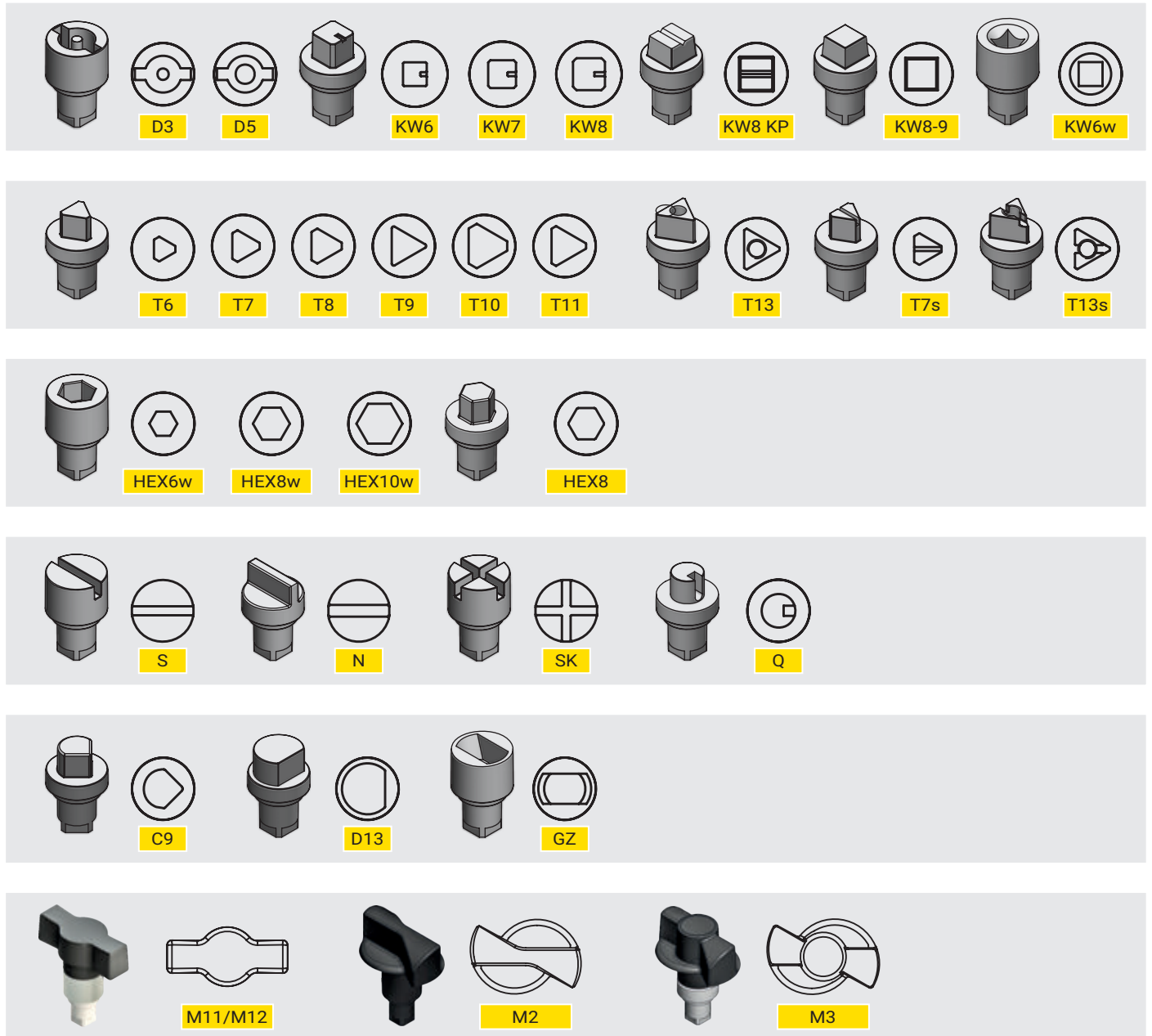
www.roztocze.eu



where :

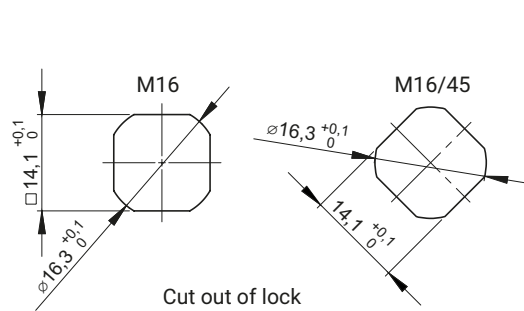
- 1 - Insert
- 2 - O-ring for IP 65
- 3 - Wave washer
- 4 - Housing
- 5 - Flat seal for IP 65 and IP 66
- 6 - Nut M22
- 7 - Cam
- 8 - Screw M6

INSERT

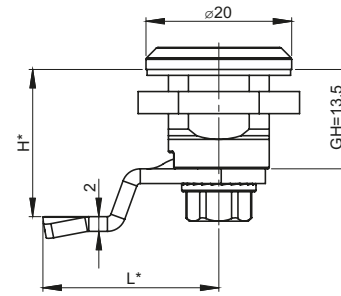


INSERT PATENT WITH CODE KEY:

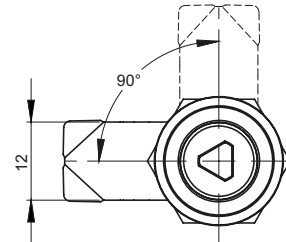
	1333
	RK - different key code
	1242E
	405E
	455E
	2342E
	MS - Master Key



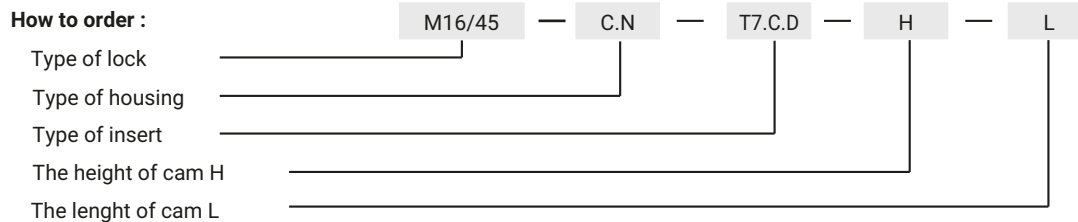
Cut out of lock



Material for insert [D]	INSERTS AVAILABLE						
	T6	T7	T7S	S	N	KW6	HEX
ZAMAK 5	11	12	13	14	-	16	17
Brass	21	-	-	-	25	-	-



TYPE OF LOCK							
M16				M16/45			
MATERIAL TYPE FOR HOUSING AS WELL AS PROTECTIVE COATING FOR HOUSING AND INSERT [C]							
ZAMAK 5						Stainless steel	
Chrome	Nickel	Zinc plated	RAL 9005	RAL 7035	No coating	304	316
01	02	03	04	05	0	9.1	9.2
TYPE OF NUT [N]						Stainless steel	
Steel						304	316
13						14	15



Available height of cam H = 13,5; 20

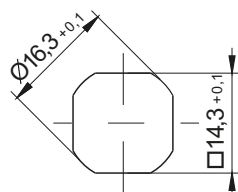
Available length of cam L = 23; 25

For the housing made of stainless steel, the insert is also made of the same material

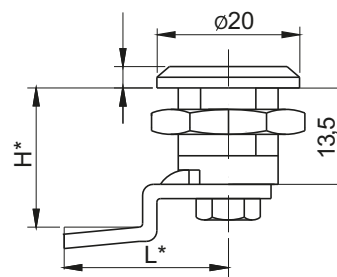
* Possibility to order in a different dimension

meaning: C - marking of material for housing as well as surface finish for housing and insert

H.G - cam bended dimension

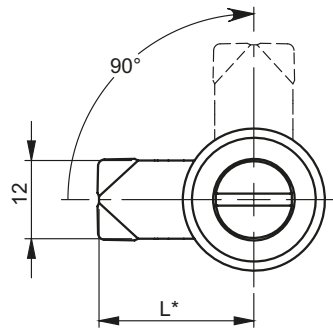
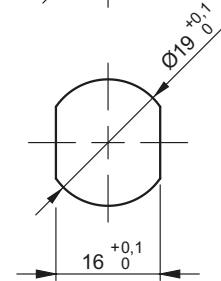
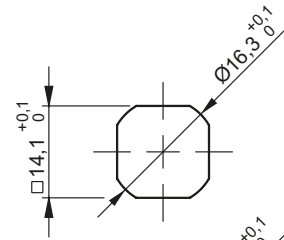
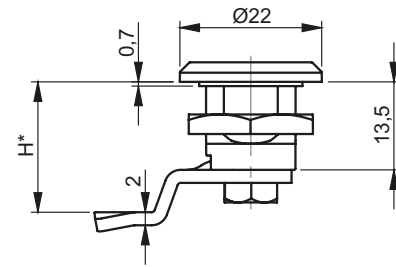


Cut Out



INSERTS	FINISH [C]
	RAL 9005
SK	04

NAME	COMPONENTS	MATERIAL
Lock 2.602.001	Housing, insert	ZAMAK5
	Cam	Steel zinc plated



Material for insert [D]	INSERTS AVAILABLE						
	T6	T7	T7S	S	N	KW6	HEX
ZAMAK 5	11	12	13	14	-	16	17
Brass	21	-	-	-	25	-	-

TYPE OF LOCK							
M16-19							
MATERIAL TYPE FOR HOUSING AS WELL AS PROTECTIVE COATING FOR HOUSING AND INSERT [C]							
ZAMAK 5						Stainless steel	
Chrome	Nickel	Zinc plated	RAL 9005	RAL 7035	No coating	304	316
01	02	03	04	05	0	9.1	9.2
TYPE OF NUT [N]						Stainless steel	
Steel						304	316
13						14	15

How to order :

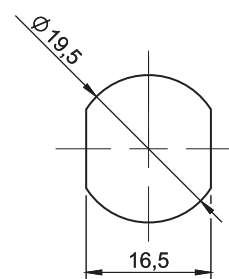
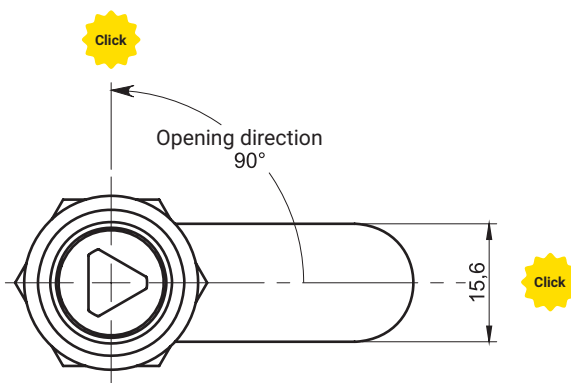
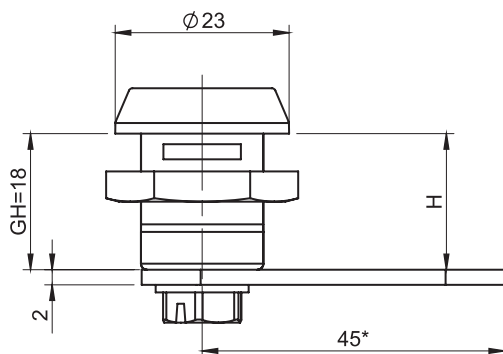


Height dimension of a CAM H for a body 13,5mm-mounting in hole Ø19x16, in case of mounting in hole Ø16x14 the height H decreases about 0,7mm.

Mounting options:

- Ø16x14
- Ø19x16

* different dimensions available



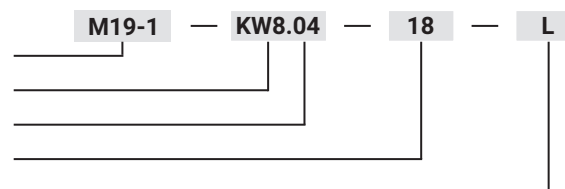
Mounting hole

CATALOGUE NUMBER	COMPONENTS	MATERIAL
M19-1	Housing, Insert	ZAMAK
	Cam	Steel zinc plated

INSERT [X]		FINISH [C]				
		Chrome	Nickel	Galvanized	RAL9005	RAL7035
KW8	T8	01	02	03	04	05

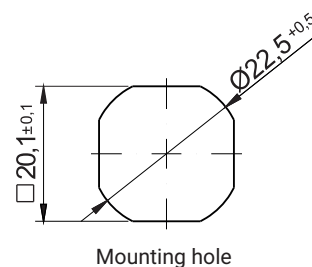
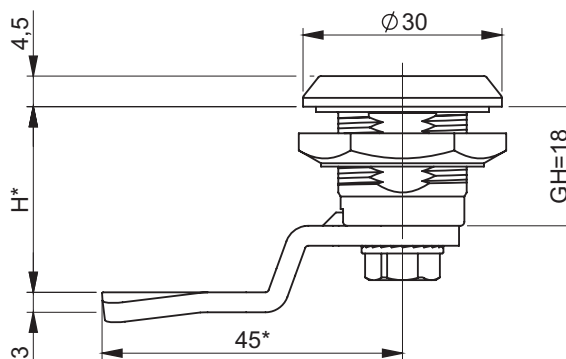
How to order:

- Catalogue number
- Type of insert [X]
- Finish [C]
- Locking height, H=18, 20, 22
- Version (P-right, L-left)



The drawing shows the left-hand version. The right-hand version is a mirror reflection.
 * possibility to order in another dimension

IP65



FINISHING TYPE OF THE INSERT AND THE BODY [C]

ZAMAK 5						Polyamide		Stainless steel	
Chrome	Nickel	Galvanized	RAL 9005	RAL 7035	No coating	RAL 9005	RAL 7035	304	316
01	02	03	04	05	0	-	-	9.1	-

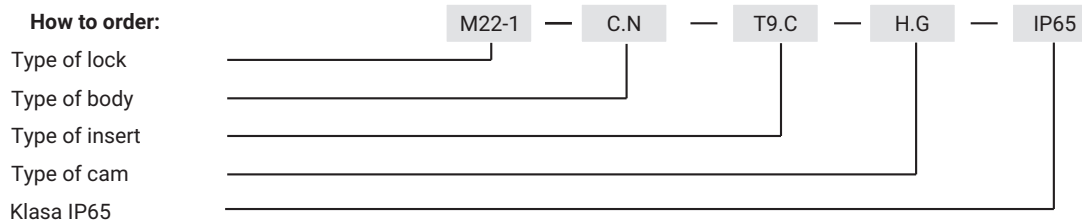
THE TYPE OF THE NUT [N]

	ZAMAK 5	Polyamide	Steel	Stainless steel	
				304	316
Nut without grounding	11	12	13	14	15
Nut with grounding	21	-	23	24	25

INSERTS AVAILABLE

Type of the material of the insert				
	D3	D5	T9	KW 8
ZAMAK 5	●	●	●	●

How to order:



where C,N, G stand for:

C - type of the material and finishing of the surface

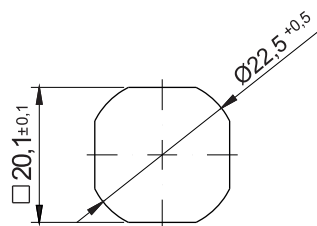
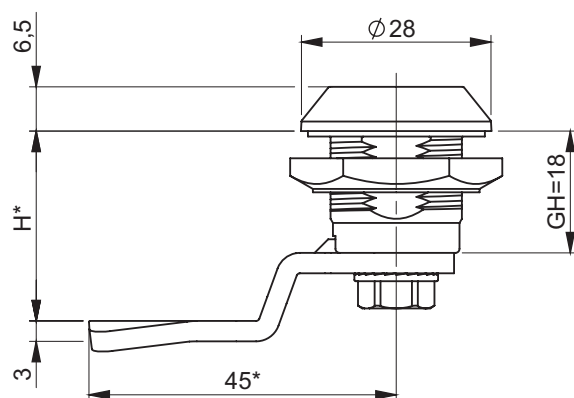
N - type of nut

H.G - the cam unbending dimension to be chosen from pages 1C-9 to 1C-22

Notice:

Lock M22-1 is compatible with all cams from range : 11, 12, 13, 14, 31, 32, 18, 33, 34, 38, JZ-002, JK-1610

IP65



Mounting hole

FINISHING TYPE OF THE INSERT AND THE BODY [C]

ZAMAK 5						Polyamide		Stainless steel	
Chrome	Nickel	Galvanized	RAL 9005	RAL 7035	No coating	RAL 9005	RAL 7035	304	316
01	02	03	04	05	0	7	8	9.1	-

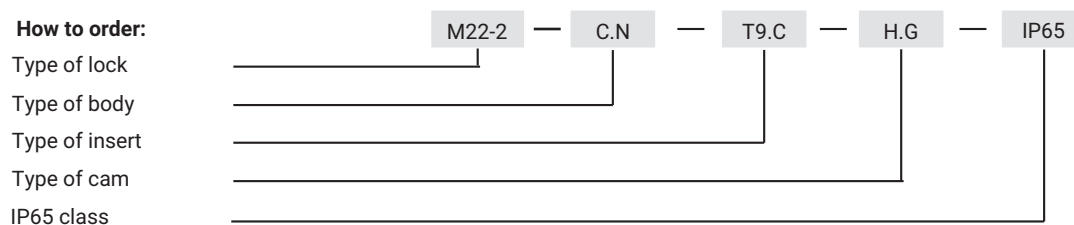
THE TYPE OF THE NUT [N]

	ZAMAK 5	Polyamide	Steel	Stainless steel	
				304	316
Nut without grounding	11	12	13	14	15
Nut with grounding	21	-	23	24	25

INSERTS AVAILABLE

Type of the material of the insert											
	D3	D5	T8	T9	KW 8	S	N	C9	HEX	T13	T13S
ZAMAK 5	●	●	●	●	●	●	●	●	●	●	●

How to order:



where C,N, G stand for:

C - type of the material and finishing of the surface

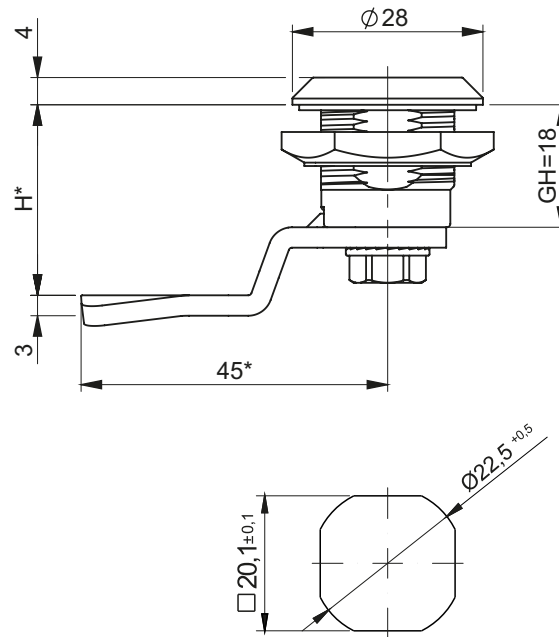
N - type of nut

H.G - the cam unbending dimension to be chosen from pages 1C-9to 1C-22

Notice:

Lock M22-2 is compatible with all cams from range : 11, 12, 13, 14, 18, 31, 32, 33, 34, 38, JZ-002, JK-1610

IP65 IP66**

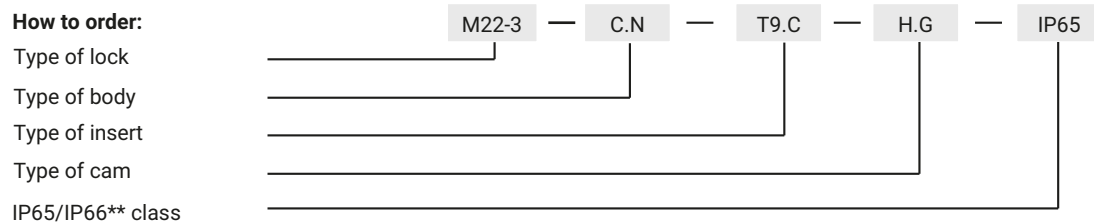


Mounting hole

FINISHING TYPE OF THE INSERT AND THE BODY [C]											
ZAMAK 5							Polyamide		Stainless steel		
Chrome	Nickel	Galvanized	RAL 9005	RAL 7035	KTL****	No coating	RAL 9005	RAL 7035	304	316	
01	02	03	04	05	06	0	07	08	9.1	9.2	
THE TYPE OF THE NUT [N]											
			ZAMAK 5		Polyamide		Steel		Stainless steel		
									304		316
Nut without grounding			11		12		13		14		15
Nut with grounding			21		-		23		24		25

Type of the material of the insert	INSERTS AVAILABLE											
ZAMAK 5	●	●	●	●	●	●	●	●				
Polyamide	●	●	-	●	●	●	-	-	***	***	***	
Stainless steel	304	●	●	●	●	●	-	-				
	316	●	●	●	●	●	-	-				

* Possibility to order in another dimension
 ** Lock for special request.
 *** Precise description of inserts M1, M2, M3, check pg. 2A-10
 **** applies only to the body

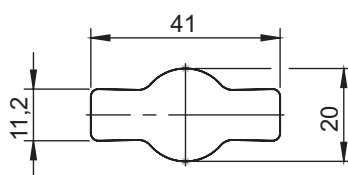


where C,N, G stand for:
 C - type of the material and finishing of the surface
 N - type of nut
 H.G - the cam unbending dimension to be chosen from pages 1C-9 to 1C-22

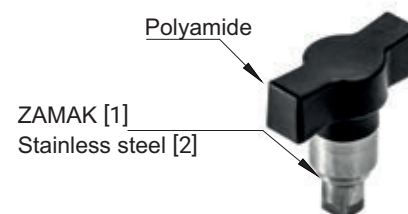
Notice:
 Lock M22-3 is compatible with all cams from range : 11, 12, 13, 14, 18, 31, 32, 33, 34, 38, JZ-002, JK-1610

Butterfly knobs for M22-3 lock

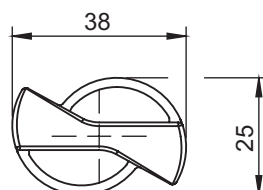
Type M11/M12



Type M11/M12



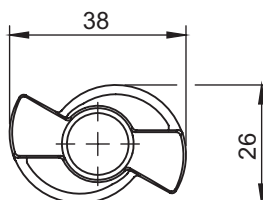
Type M2



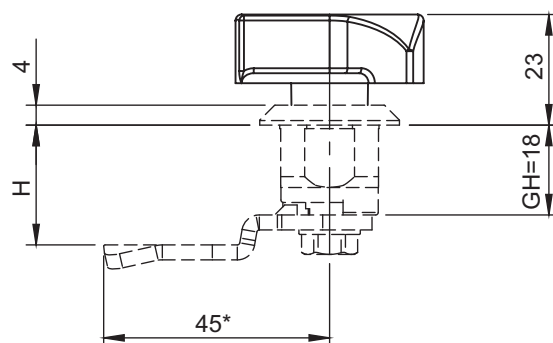
Type M2



Type M3



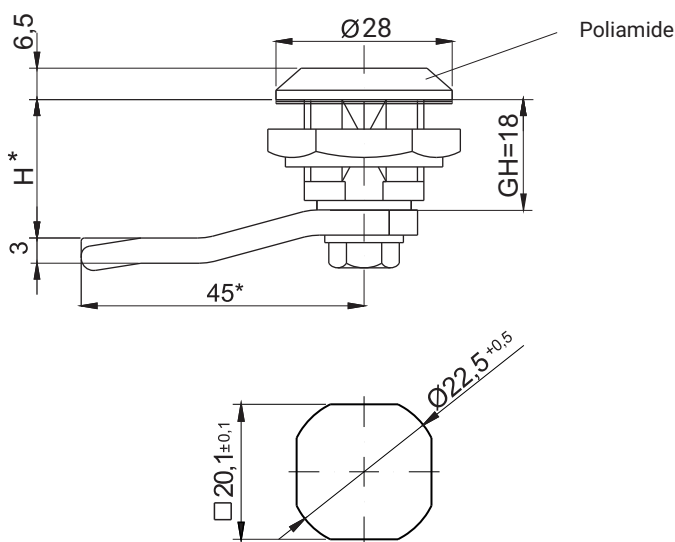
Type M3



M11, M12, M2 and M3 butterfly knobs are compatible with M22-3 lock - page 2A-9

TYPE	Material		Knob finish [D]	
	Insert	Knob	RAL 9005	RAL 7035
M11	ZAMAK	Polyamide	07	08
M12	Stainless steel	Polyamide		
M2	Polyamide	Polyamide		
M3	ZAMAK	Polyamide		

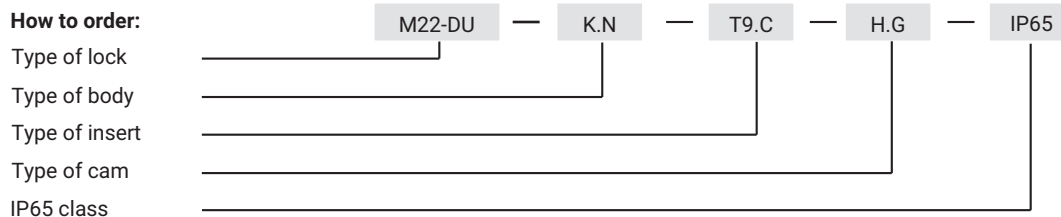
IP65



Mounting hole

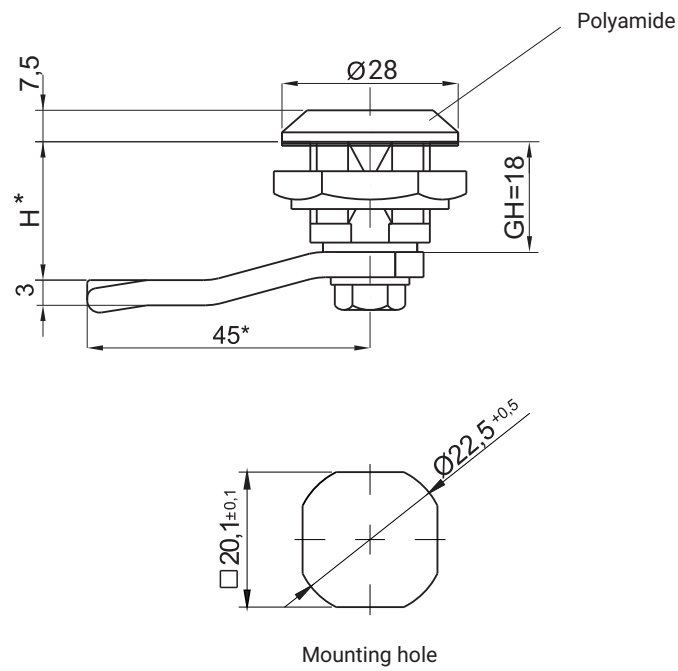
TYPE OF MATERIAL AND PROTECTIVE COATING [C]									
INSERT						HOUSING COLOR[K]			
ZAMAK 5						Polyamide		Polyamide	
Chrome	Nickel	Galvanized	RAL 9005	RAL 7035	No coating	RAL 9005	RAL 7035	RAL 9005	RAL 7035
1	2	3	4	5	0	7	8	7	8
THE TYPE OF THE NUT [N]									
	ZAMAK 5	Polyamide	Steel	Stainless steel					
				304	316				
Nut without grounding	11	12	13	14	15				
Nut with grounding	21	-	23	24	25				

Type of the material of the insert	INSERTS AVAILABLE										
	D3	D5	T8	T9	KW 8	S	N	C9	HEX	T13	T13S
ZAMAK 5	●	●	●	●	●	●	●	●	●	●	●
Polyamide	●	●	-	-	-	●	-	-	-	-	-



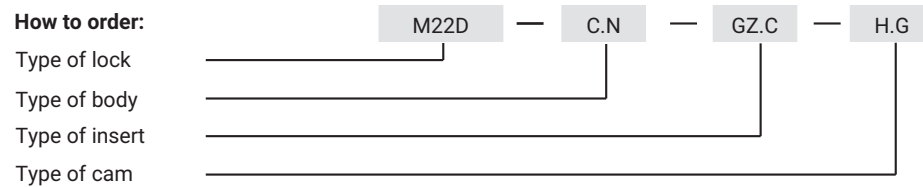
where C,N, G stand for:
 C - type of the material and finishing of the surface
 N - type of nut
 H.G - the cam unbending dimension to be chosen from pages 1C-9 to 1C-22

Notice:
 Lock M22-DU is compatible with all cams from range : 11, 12, 13, 14, 18, 31, 32, 33, 34, 38, JZ-002, JK-1610
 Possibility of purchasing the lock with the grounding element.
 The body of the is available only in configuration of polyamide.



TYPE OF LOCK	COMPONENTS	MATERIAL	FINISH [C]		INSERT
			RAL 9005	RAL 7035	
M22D	Housing, Insert	Polyamide	07	08	 GZ
	Cam	Steel zinc plated	-	-	

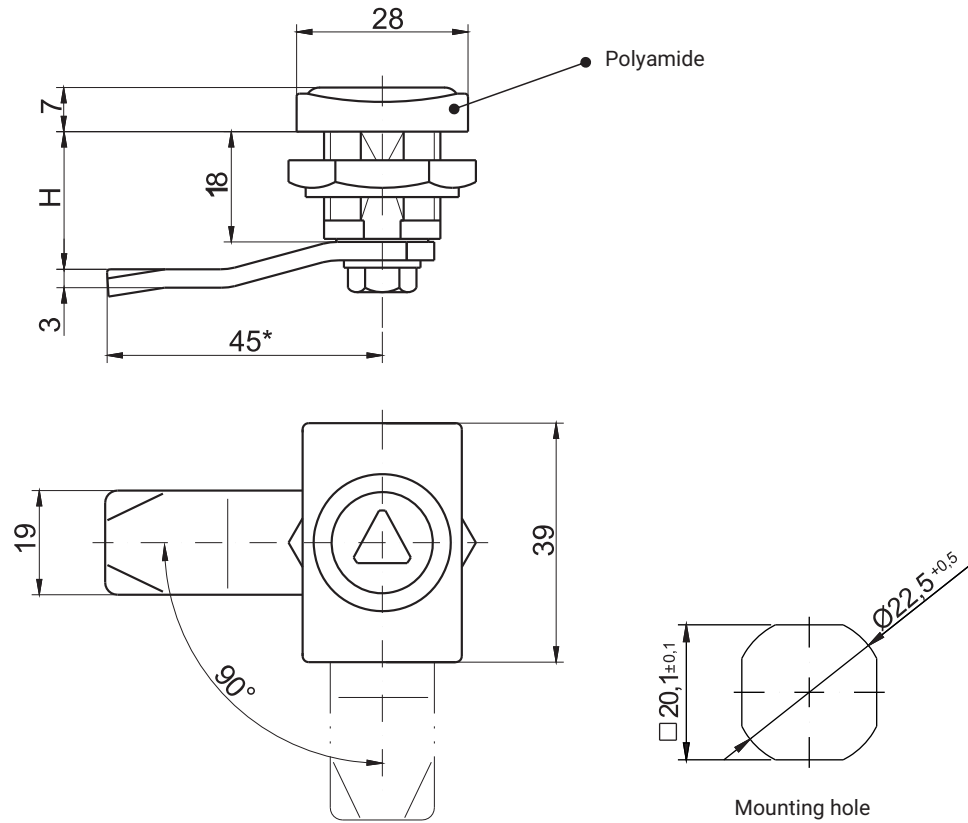
The type of the nut [N]					
	ZAMAK 5	Polyamide	Steel	Stainless steel	
				304	316
Nut without grounding	11	12	13	14	15
Nut with grounding	21	-	23	24	25



where C,N, G stand for:
 C - type of the material and finishing of the surface
 N - type of nut
 H.G - the cam unbending dimension to be chosen from pages 1C-9 to 1C-22

Notice:
 Lock M22D is compatible with all cams from range: 15, 16, 17, 19, 21, 35, 36, JK, JP
 Possibility of purchasing the lock with the grounding element.
 The body of the is available only in configuration of polyamide.

IP65

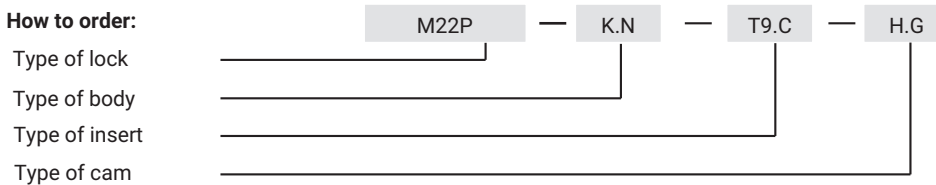


TYPE OF MATERIAL AND PROTECTIVE COATING [C]									
INSERT							HOUSING COLOR [K]		
ZAMAK 5						Polyamide		Polyamide	
Chrome	Nickel	Galvanized	RAL 9005	RAL 7035	No coating	RAL 9005	RAL 7035	RAL 9005	7035
01	02	03	04	05	00	07	08	07	08
THE TYPE OF THE NUT [N]									
			ZAMAK 5	Polyamide	Steel	Stainless steel			
						304	316		
Nut without grounding			11	12	13	14	15		
Nut with grounding			21	-	23	24	25		

The body of the is available only in configuration of polyamide.

Type of the material of the insert	INSERTS AVAILABLE											
	D3	D5	T8	T9	T10	T11	T13	KW 8	S	N	C9	HEX
ZAMAK 5	●	●	-	●	●	●	●	●	●	●	●	●
Polyamide	●	●	-	-	-	-	-	-	-	-	-	-

How to order:



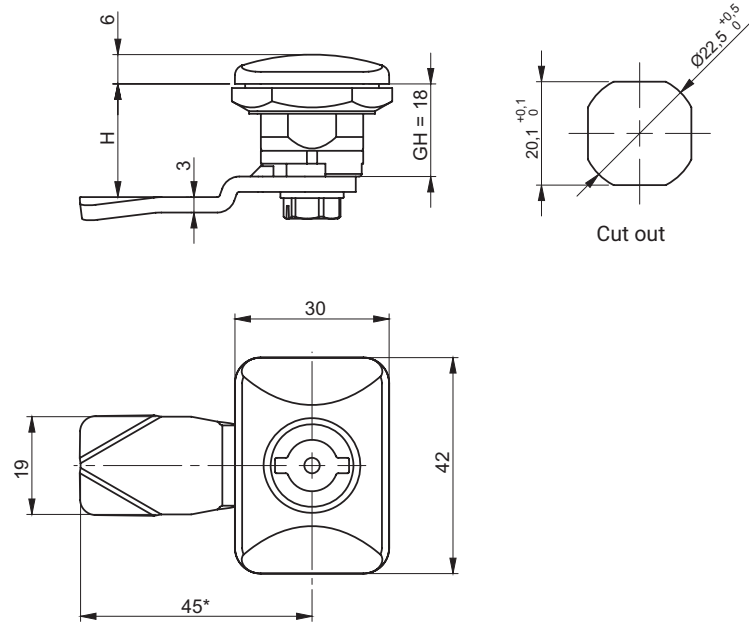
where: C - type of the material and finishing of the surface

N - type of nut

H.G - the cam unbending dimension to be chosen from pages 1C-9 to 1C-22

Notice:

Lock M22P is compatible with all cams from range: 15, 16, 17, 19, 21, 35, 36,



IP66

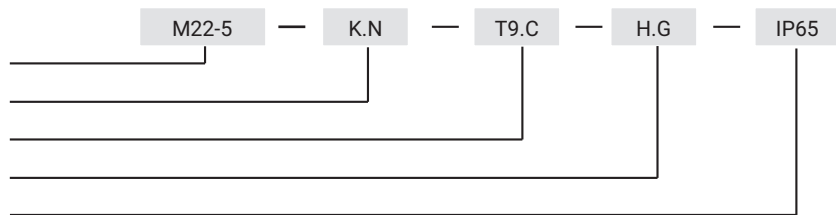


TYPE OF MATERIAL AND PROTECTIVE COATING OF THE INSERT [C]										HOUSING COLOR [K]	
ZAMAK 5					Polyamide		Stainless steel		Polyamide		
Chrom	Nikiel	Ocynk	RAL 9005	RAL 7035	No coating	RAL 9005	RAL 7035	304	316	RAL 9005	RAL 7035
01	02	03	04	05	00	07	08	9.1	9.2	07	08
THE TYPE OF THE NUT [N]											
		ZAMAK 5		Polyamide		Steel		Stainless steel			
								304		316	
Nut without grounding		11		12		13		14		15	
Nut with grounding		21		-		23		24		25	

Type of the material of the insert	INSERTS AVAILABLE							
	D3	D5	T8	T9	KW 8	S	HEX 8 inner	HEX 10 inner
ZAMAK 5	●	●	●	-	●	●	●	●
Polyamide	●	●	-	●	●	●	-	-
Stainless steel	304	●	●	●	●	●	-	-
	316	●	●	●	●	●	-	-

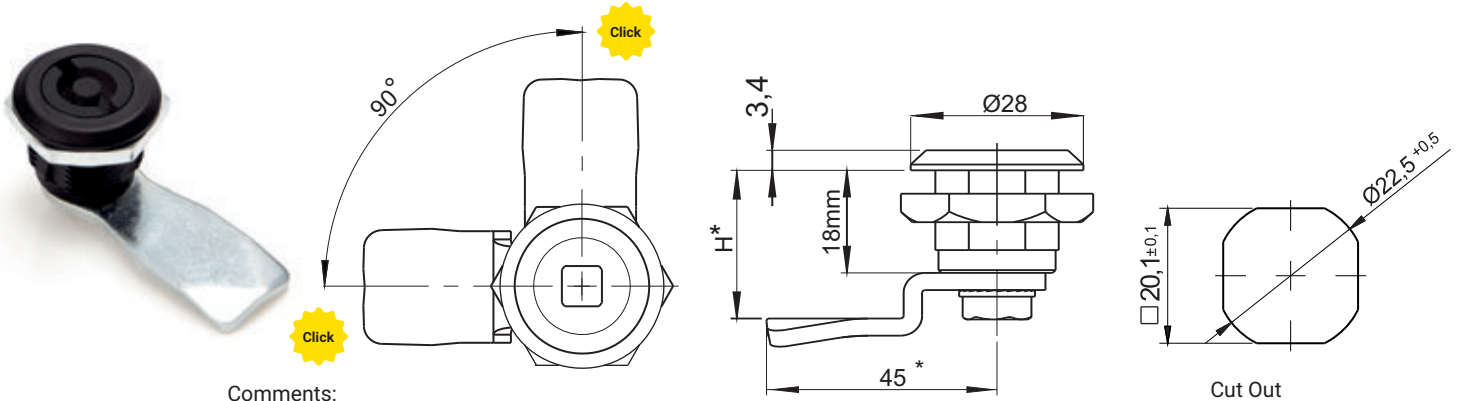
How to order:

- Type of lock
- Type of body
- Type of insert
- Type of cam
- IP class



where: C, D - type of the material and finishing of the surface
 N - type of nut
 H.G - the cam unbending dimension (H-locking height, G-group)
 to be chosen from pages 1C-9 to 1C-22

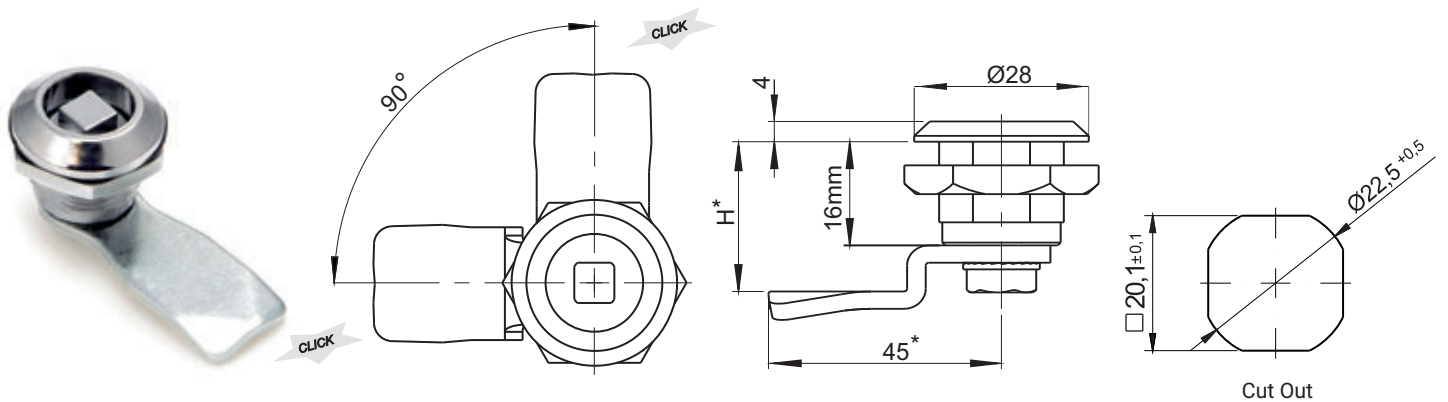
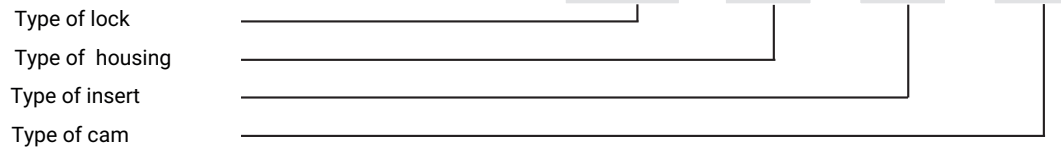
Notice:
 Lock M22-5 is compatible with all cams from range: 11, 12, 13, 14, 18, 31, 32, 33, 34, 38, JZ-002, JK-1610



Comments:
Opening and closing the lock is signaled the sound effect

INSERT				INSERT FINISH [C]				HOUSING FINISH [K]	
				Chrome	Nickel	RAL 9005	RAL 7035	RAL 9005	RAL 7035
D5	T9	KW8	KW8 inner	01	02	04	05	07	08
NAME				COMPONENTS				MATERIAL	
Lock M22GP4				Housing				Polyamide	
				Insert				ZAMAK5	
				Cam				Steel zinc plated	

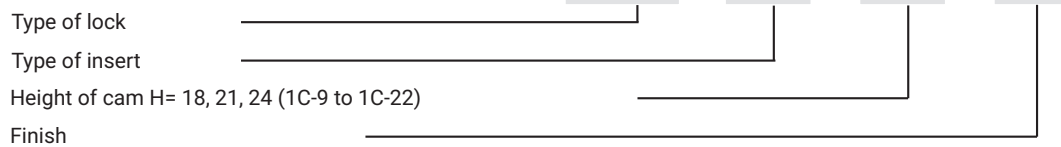
How to order :



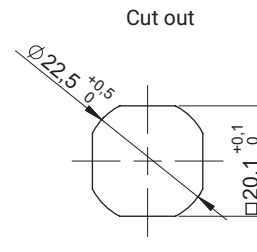
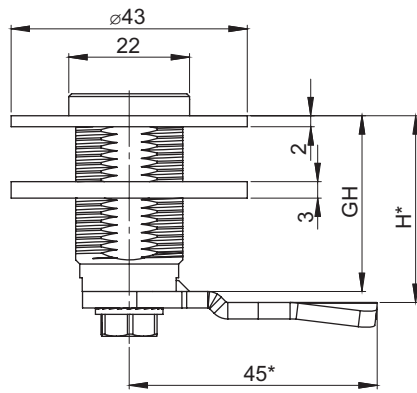
Comments: Opening and closing the lock is signaled the sound effect

INSERT				FINISH [C]					
				Chrome	Nickel	RAL 9005	RAL 7035		
D5	T9	KW8	KW8 inner	01	02	04	05		
NAME				COMPONENTS				MATERIAL	
Lock M22GP5				Housing, insert				ZAMAK5	
				Cam				Steel zinc plated	

How to order :

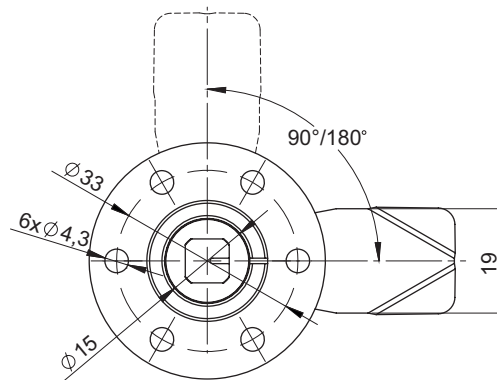
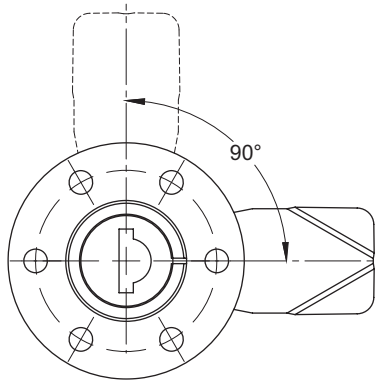


* possibility to make in another dimension
If you order a custom cam, please contact your dealer for further details.



M22KW

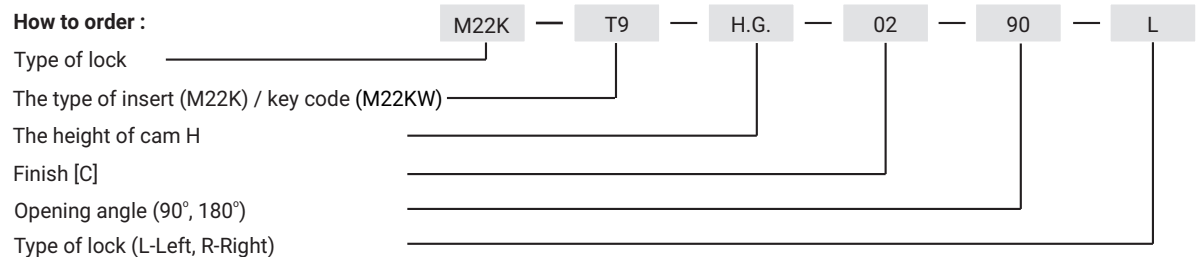
M22K / M22K15



Lock in the left-hand version of the door, right-hand version is a mirror reflection

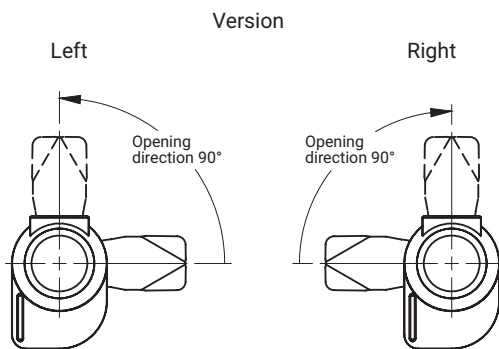
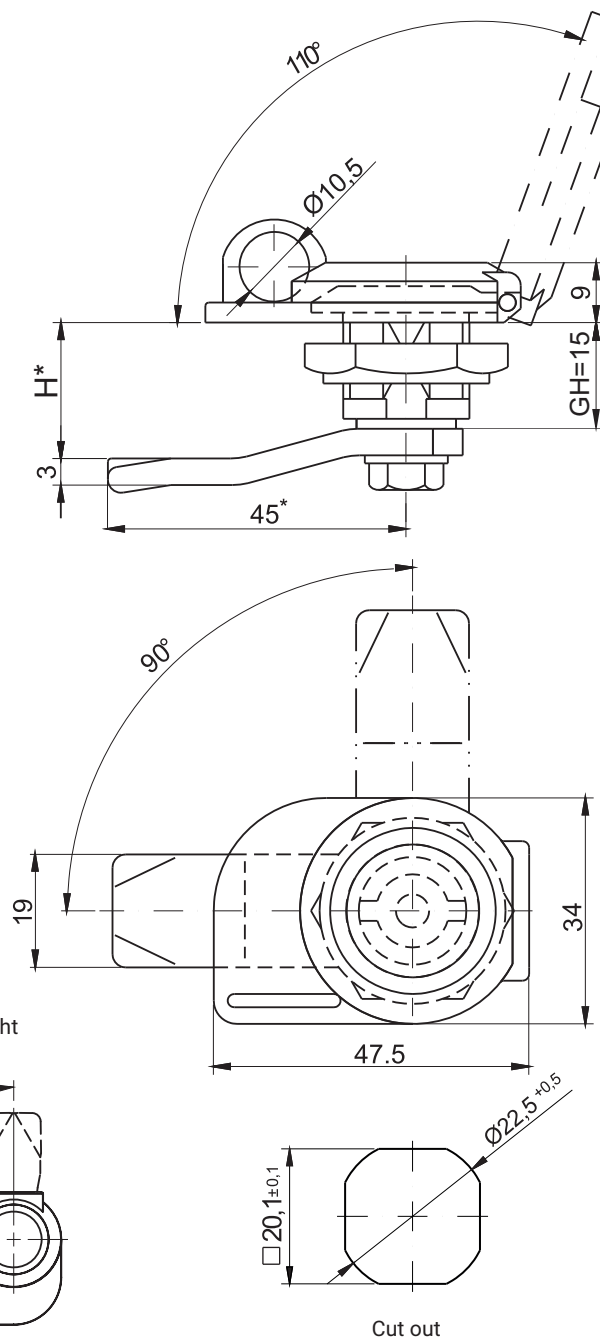
KEY CODE						
1333	405E	455E	1242E	2342E	RK	
INSERTS				FINISH [C]		
				Chrome	Nickel	RAL 9005
T9	T10	KW 8	S	01	02	04
TYPE OF LOCK	GH	COMPONENTS		MATERIAL		
M22K, M22KW	32	Housing, Insert		ZAMAK5		
		Cam		Zinc plated steel		
M22KSN		Housing, Insert, Cam		Stainless steel		
M22K15	15	Housing, Insert, Cam		Zinc plated steel		
M22K15SN		Housing, Insert, Cam		Stainless steel		

How to order :



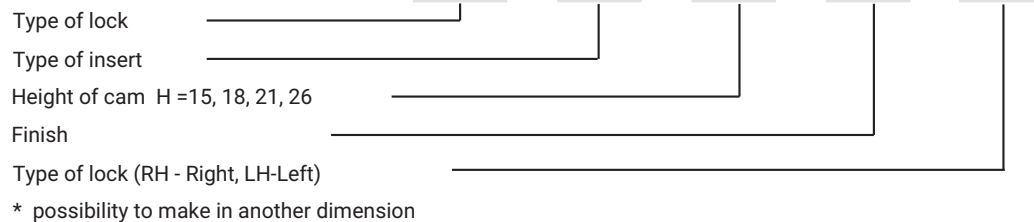
Lock at the height of GH=15mm is available only in a version with shaped insert
 The lock is fitted with cams from the group: 12, 14, 21, 32, 34
 (pg. 1C-10, 1C-11, 1C-15, 1C-17, 1C-18).
 * Possibility to order in a different dimension

IP65

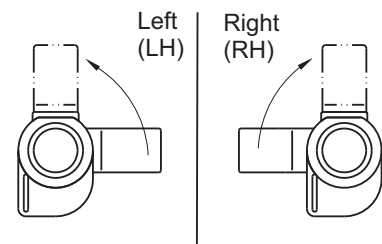
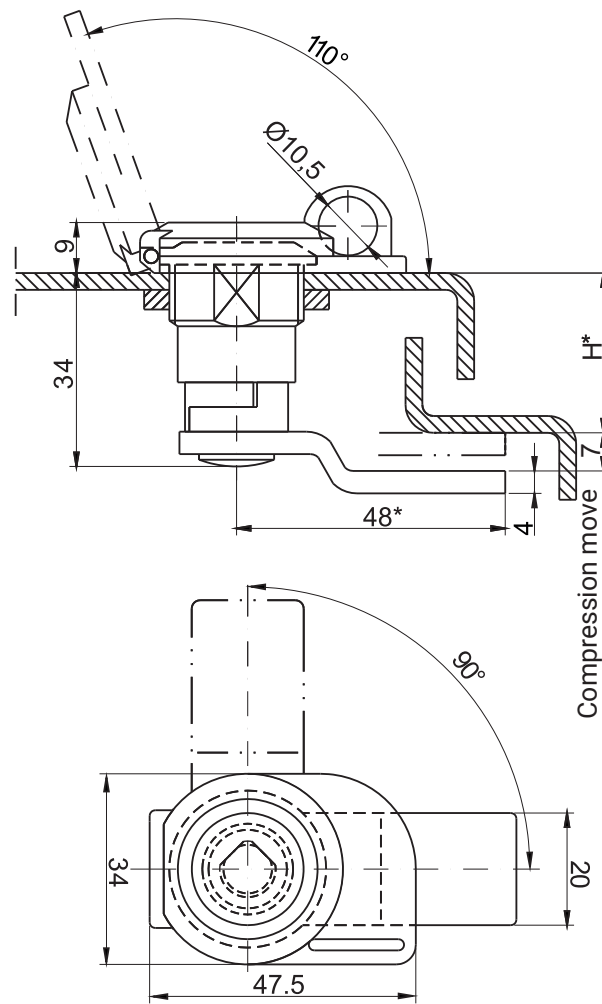


INSERT							FINISH [C]			
							Chrome	Nickel	RAL 9005	RAL 7035
D3	D5	T9	T10	KW 8	S	N	01	02	04	05
NAME		COMPONENTS			MATERIAL					
Lock M22B		Housing, insert			ZAMAK5					
		Cam			Steel zinc plated					
		Blocade			Stainless steel					

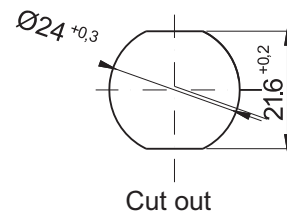
How to order :



* possibility to make in another dimension

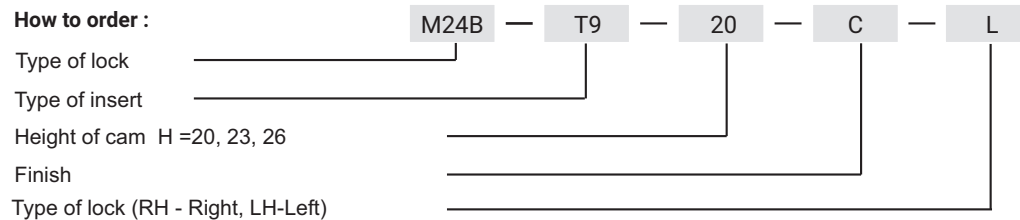


Pic.1 Lock in the closed position.
The arrow means the direction opening the lock

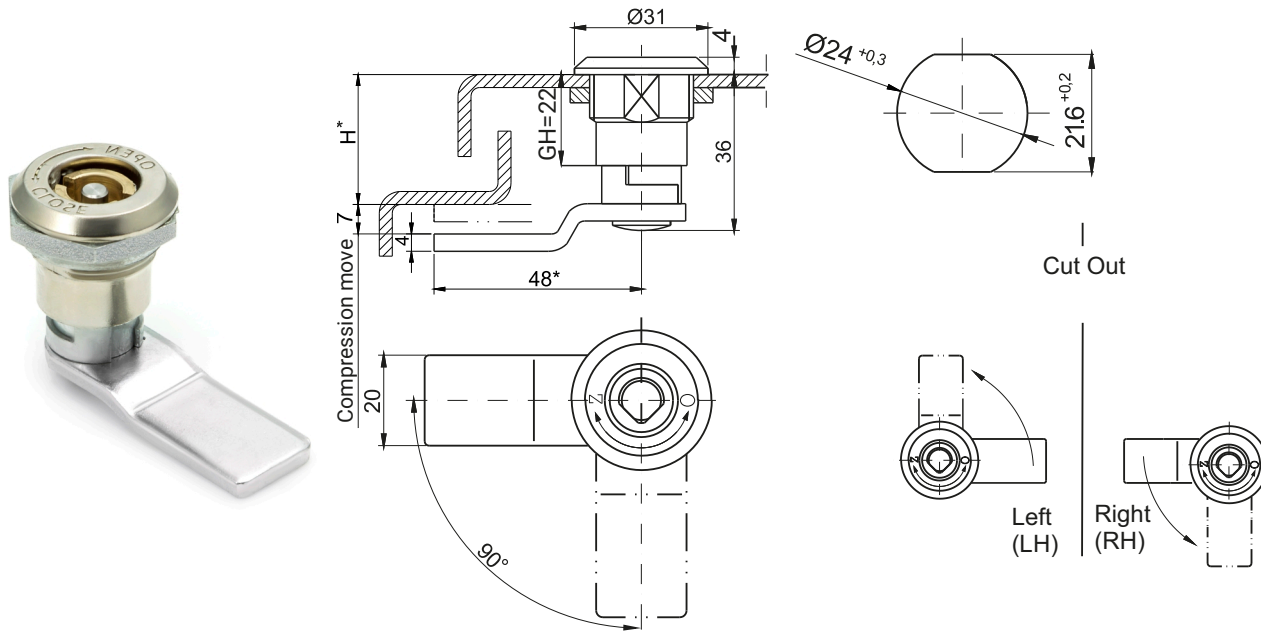


Lock on the drawing in the left door version
The possibility adapting the lock to the door right (Pic.1).

Insert										Finish [C]		
										Nickel	RAL 9005	RAL 7035
T6	T8	T9	L	KW 8	S	N	C9	D3	D5	02	04	05
NAME	COMPONENTS		MATERIAL									
Lock M24B	Housing		ZAMAK5									
	Cam, insert		Steel zinc plated									
	Blocade		Stainless steel									



* possibility to make in another dimension

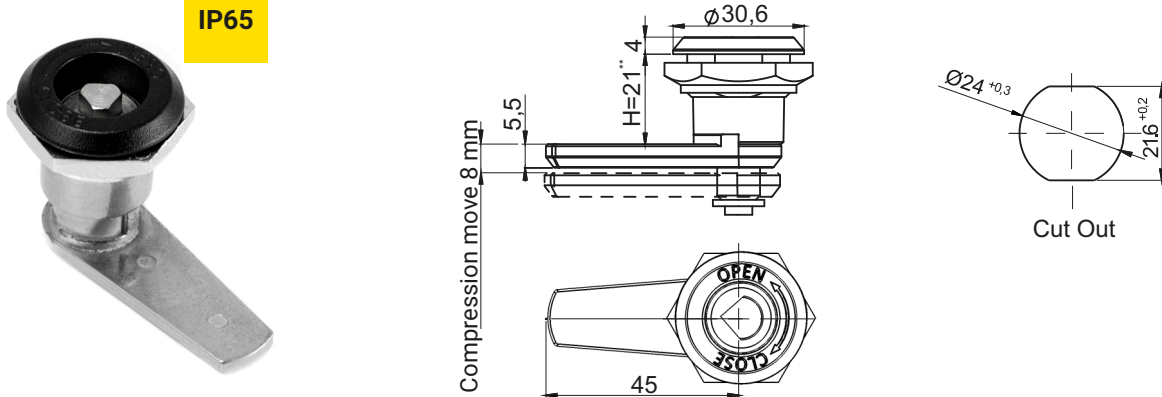


Lock on the drawing in the left door version
The possibility adapting
the lock to the door right (Pic.1).

Pic.1 Lock in the closed position.
The arrow means the direction
opening the lock

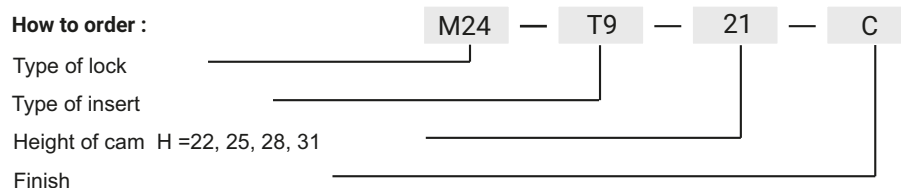
Insert										Finish [C]		
										Nickel	RAL 9005	RAL 7035
T6	T8	T9	L	KW 8	S	N	C9	D3	D5	02	04	05
NAME	COMPONENTS		MATERIAL									
Lock M24	Housing		ZAMAK5									
	Cam, insert		Steel zinc plated									
	Blocade		Stainless steel									

IP65

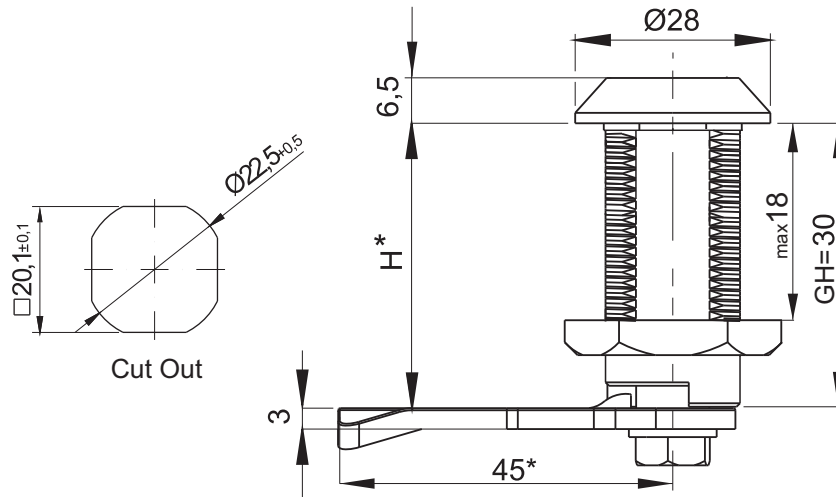


Insert											Finish [C]		
											Nickel	RAL 9005	RAL 7035
T6	T8	T9	T10	L	KW 8	S	N	C9	D3	D5	02	04	05
NAME	COMPONENTS		MATERIAL										
Lock M24ZN	Housing, cam		ZAMAK5										
	Insert		Steel zinc plated										

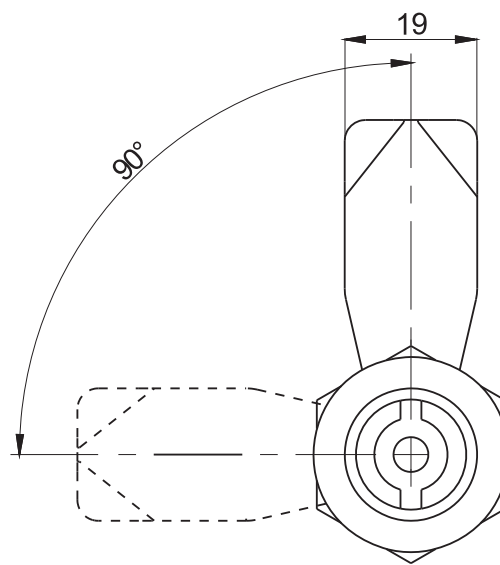
How to order :



* possibility to make in another dimension
** lock M24ZN available only with cam dimension H=21 mm



M22-30.02

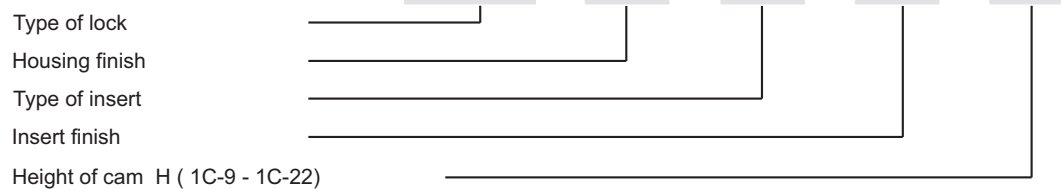


M22-30.01

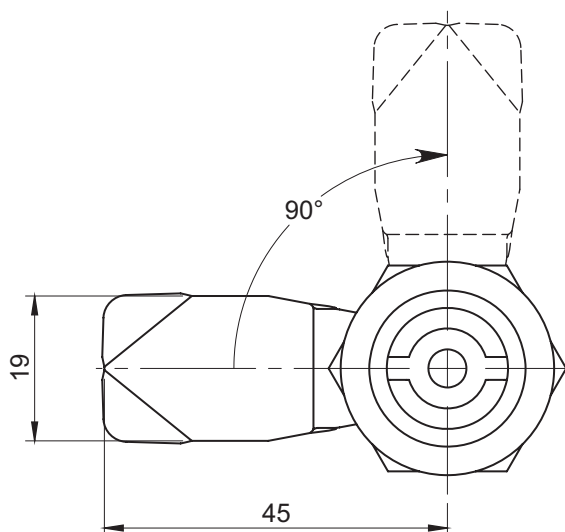
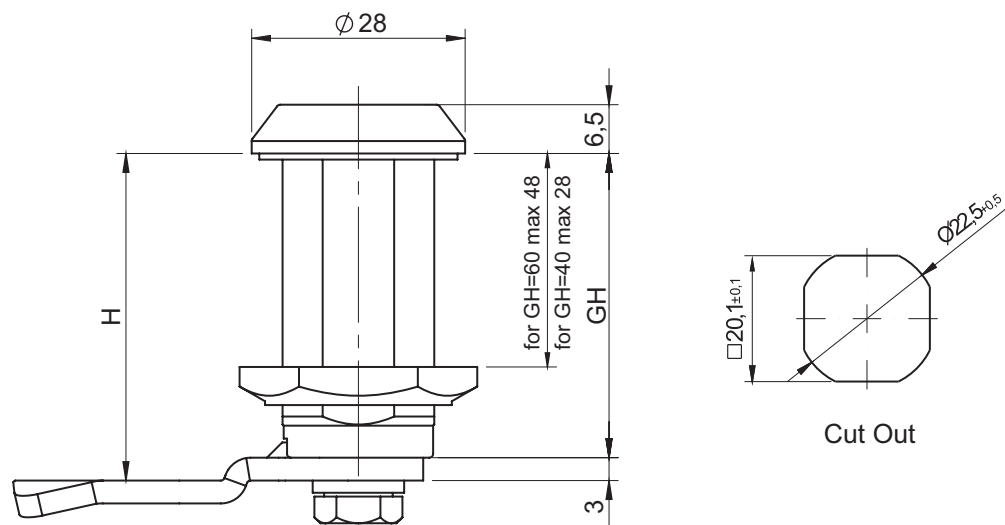
Additional protection lock is a "Blocade ST1 or ST2 lock" (see page 2A-107, 108, 109)

Insert							Finish [C]			
							Chrome	Nickel	RAL 9005	RAL 7035
D3	D5	T9	KW 8	S	N	C9	01	02	04	05
NAME		COMPONENTS		MATERIAL						
Lock M22-30.01		Housing, insert		ZAMAK5						
Lock M22-30.02		Cam		Steel zinc plated						

How to order :



* possibility to make in another dimension
The lock is fitted with cams from the group: 11, 12, 13, 14, 18, 31, 32, 33, 34, 38, JK-1610

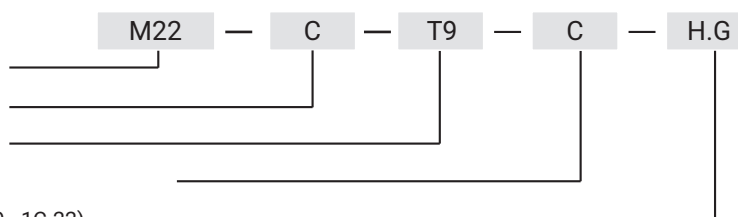


Additional protection lock is a "blocade ST1 or ST2 lock" (see page 2A-107 do 2A-109)

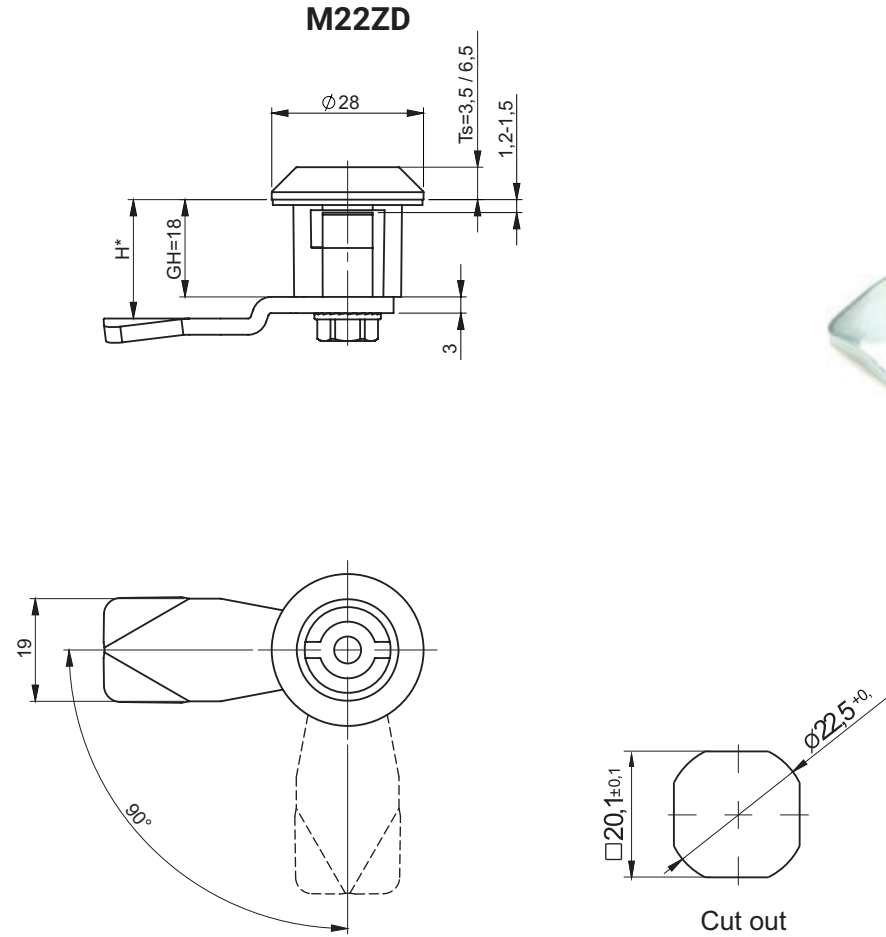
Insert							Finish [C]			
							Chrome	Nickel	RAL 9005	RAL 7035
D3	D5	T9	KW 8	S	N	C9	01	02	04	05
TYPE OF LOCK	DIMENSION GH	COMPONENTS		MATERIAL						
M22-40	40	Housing, insert		ZAMAK5						
		Cam		Steel zinc plated						
M22-60	60	Housing, insert		ZAMAK5						
		Cam		Steel zinc plated						

How to order:

- Type of lock
- Housing finish
- Type of insert
- Insert finish
- Height of cam H (page 1C-9 - 1C-22)

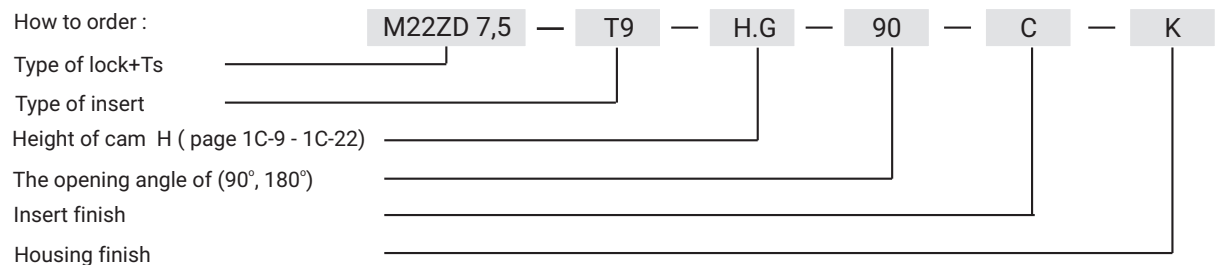


* possibility to make in another dimension
The lock is fitted with cams from the group: 11, 12, 13, 14, 18, 31, 32, 33, 34, 38, JZ-002, JK-1610 (page 1C-9 - 1C-22)



Lock with flange 3.5 version only with pins made of polyamide tip: S, D3, D5.
Locks available from the plastic cam

Insert							Insert finish [C]				Housing finish [K]	
							Chrome	Nickel	RAL 9005	RAL 7035	RAL 9005	RAL 7035
D3	D5	T9	KW 8	S	N	C9	01	02	04	05	07	08
NAME							COMPONENTS				MATERIAL	
M22ZD							Housing				Poliamide	
							Insert				ZAMAK5	
							Cam				Steel zinc plated	

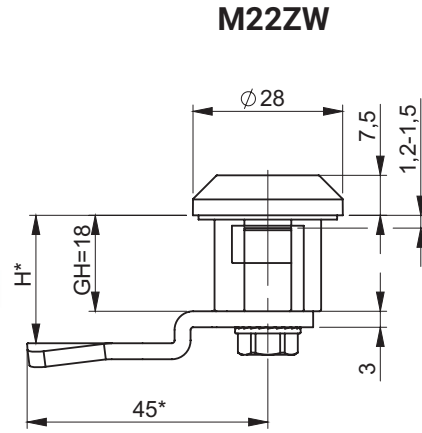


* possibility to make in another dimension
H.G - the cam unbending dimension (H-locking height, G-group)
to be chosen from pages 1C-9 to 1C-22

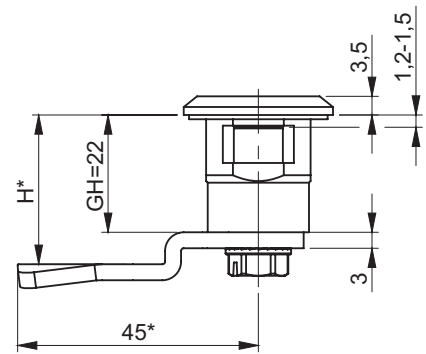
The lock is fitted with cams from the group: 11, 12, 13, 14, 18, 31, 32, 33, 34, 38, JZ-002, JK-1610.01



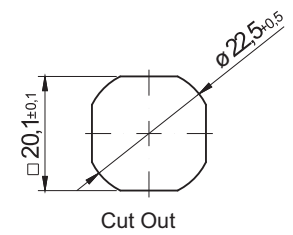
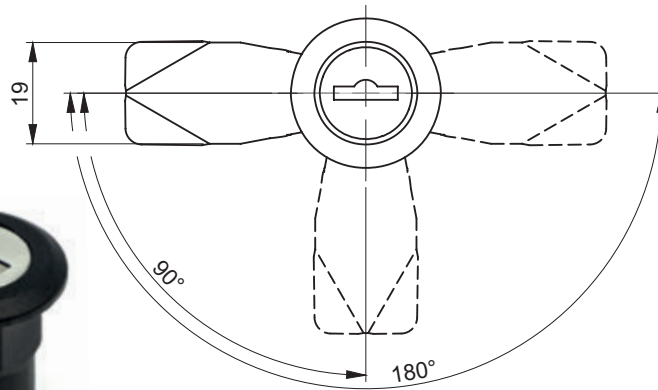
M22ZW



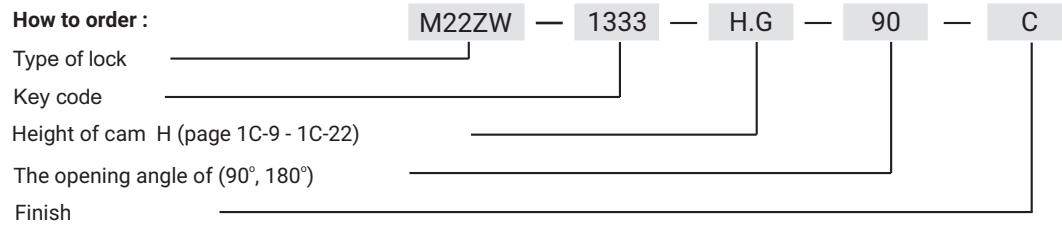
M22ZW22



M22ZW22

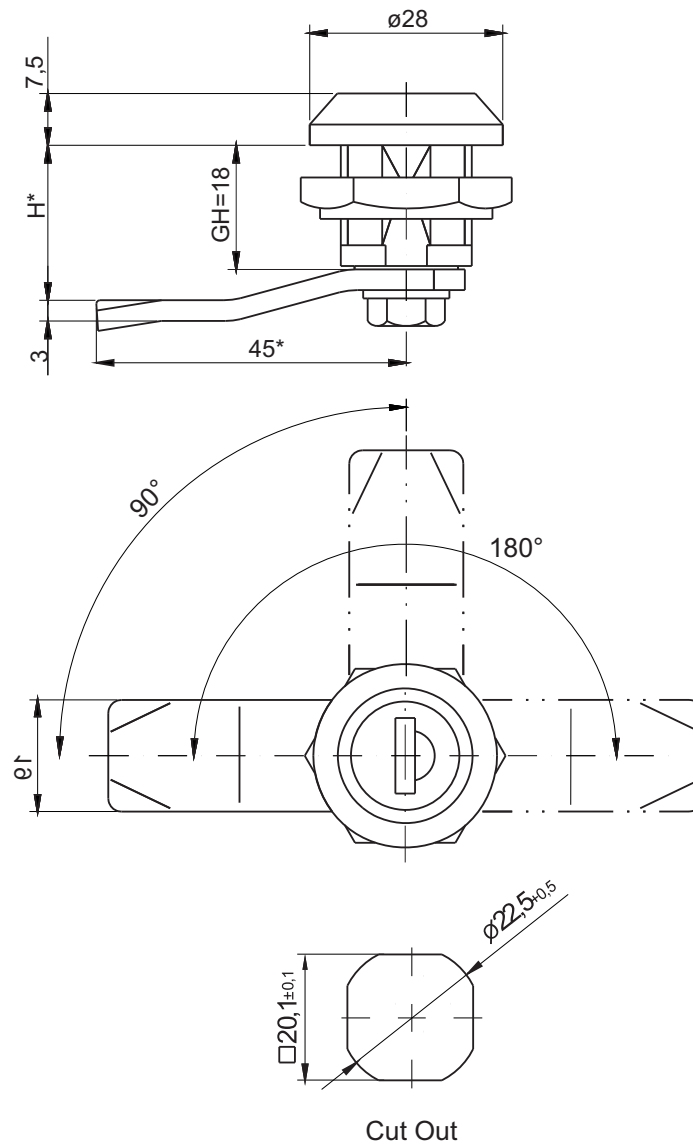


Key code						Finish [C]	
1333	405E	455E	1242E	2432E	RK	RAL 9005	RAL 7035
						07	08
TYPE OF LOCK		COMPONENTS				MATERIAL	
M22ZW		Housing				Poyamide	
M22ZW22		Cam				Steel zinc plated	

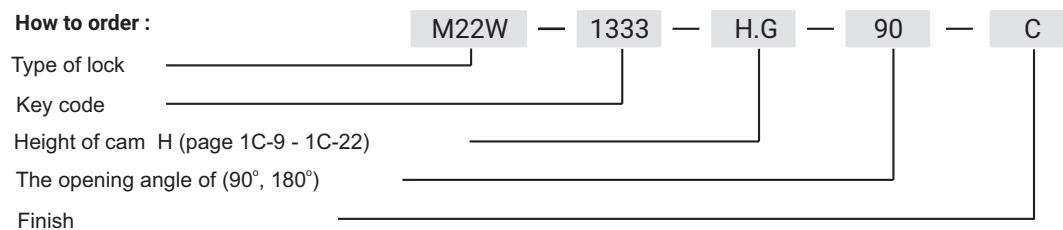


* possibility to make in another dimension
H.G - the cam unbending dimension (H-locking height, G-group)

The lock is fitted with cams from the group: 15, 16, 17, 19, 21, JZ-001, JK-10018 (page 1C-9 - 1C-22)



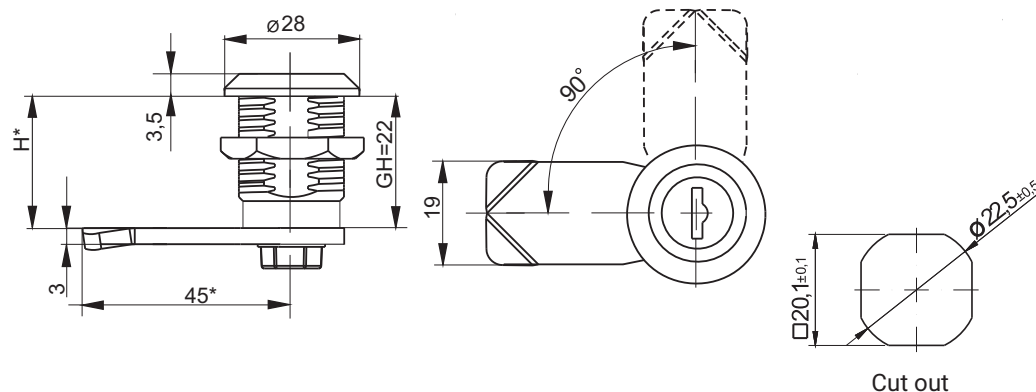
Key code						Finish [C]				
1333	405E	455E	1242E	2432E	RK	Chrome	Nickel	Zn **	RAL9005	RAL7035
						01	02	03	04	05
NAZWA		COMPONENTS				MATERIAL				
Lock M22W		Housing				ZAMAK5				
		Cam				Steel zinc plated				



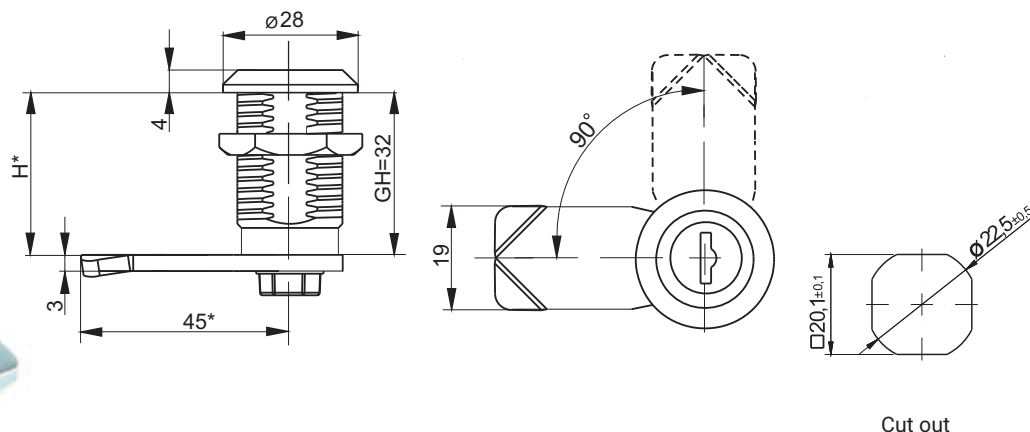
* possibility to make in another dimension

** galvanized

The lock is fitted with cams from the group: 15, 16, 17, 19, 21, 35, 36, JZ-001, JK-10018 (page 1C-9 - 1C-22)



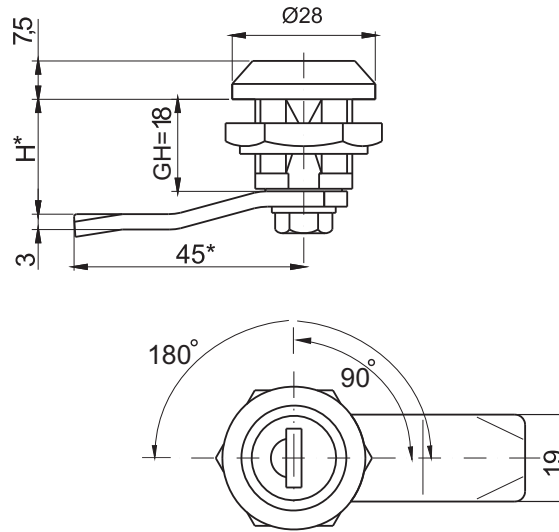
Key code						Finish [C]	
1333	405E	455E	1242E	2432E	RK	RAL 9005	RAL 7035
						07	08
TYPE OF LOCK			COMPONENTS			MATERIAL	
M22DW22			Housing			Polyamide	
			Cam			Steel zinc plated	



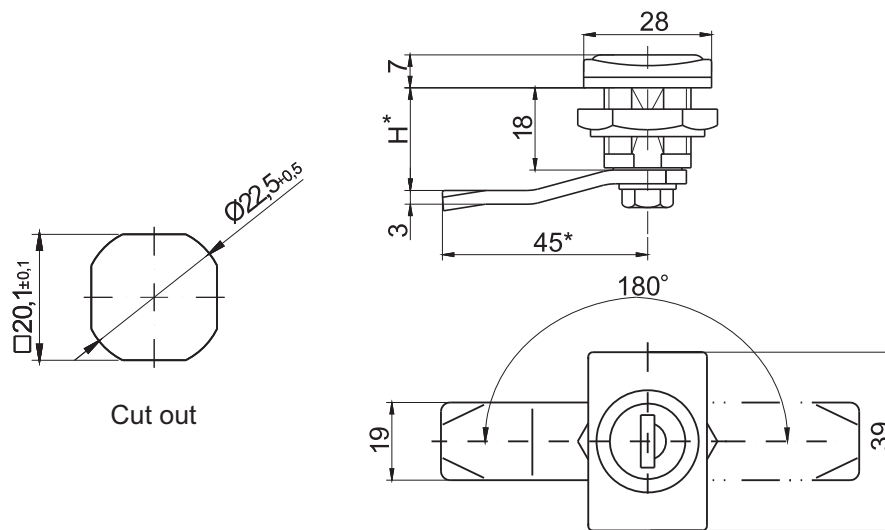
Key code						Finish [C]			
1333	405E	455E	1242E	2432E	RK	Chrome	Nickel	RAL 9005	RAL 7035
						01	02	04	05
TYPE OF LOCK			COMPONENTS			MATERIAL			
M22W32			Housing			ZAMAK5			
			Cam			Steel zinc plated			



* possibility to make in another dimension
 H.G - the cam unbending dimension (H-locking height, G-group)
 The lock is fitted with cams from the group: 15, 16, 17, 19, 21, 35, 36, JZ-001, JK-10018
 (page 1C-9 - 1C-22)



Key code						Finish [C]			
1333	405E	455E	1242E	2432E	RK	RAL 9005	07	RAL 7035	08
TYPE OF LOCK	COMPONENTS					MATERIAL			
M22DW	Housing					Polyamide			
	Cam					Steel zinc plated			

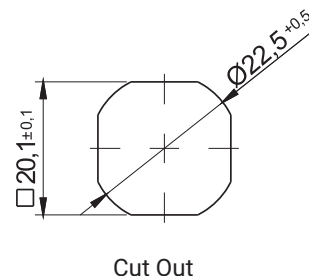
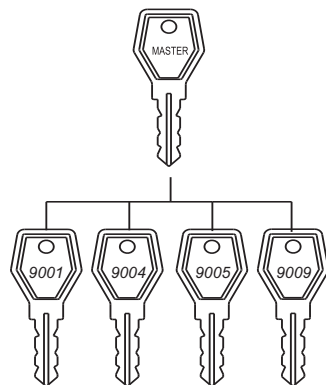
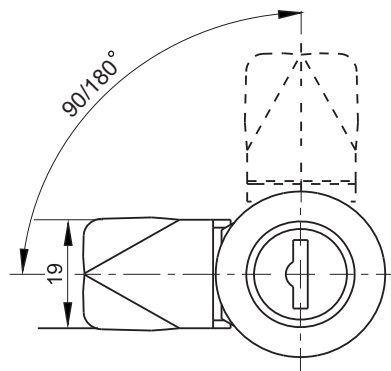
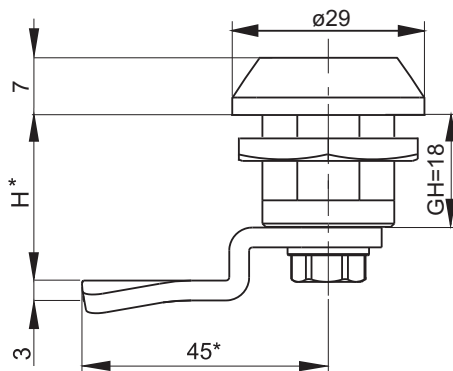


Key code						Finish [C]			
1333	405E	455E	1242E	2432E	RK	RAL 9005	07	RAL 7035	08
TYPE OF LOCK	COMPONENTS					MATERIAL			
M22PW	Housing					Polyamide			
	Cam					Steel zinc plated			

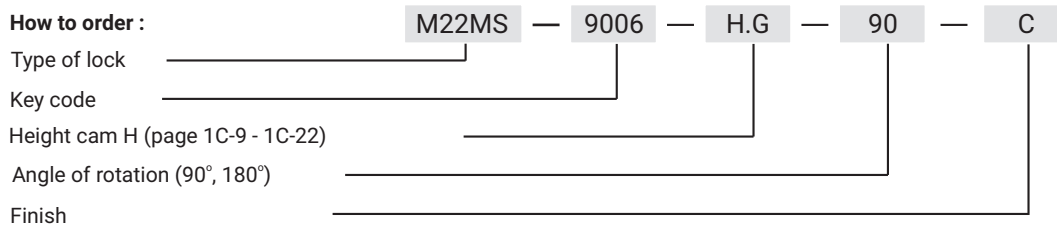


* possibility to make in another dimension
 Locks are configured with insert and the nut of polyamide
 H.G - the cam unbending dimension (H-locking height, G-group)
 The lock is fitted with cams from the group: 15, 16, 17, 19, 21, 35, 36, JZ-001, JK-10018 (page 1C-9 - 1C-22)

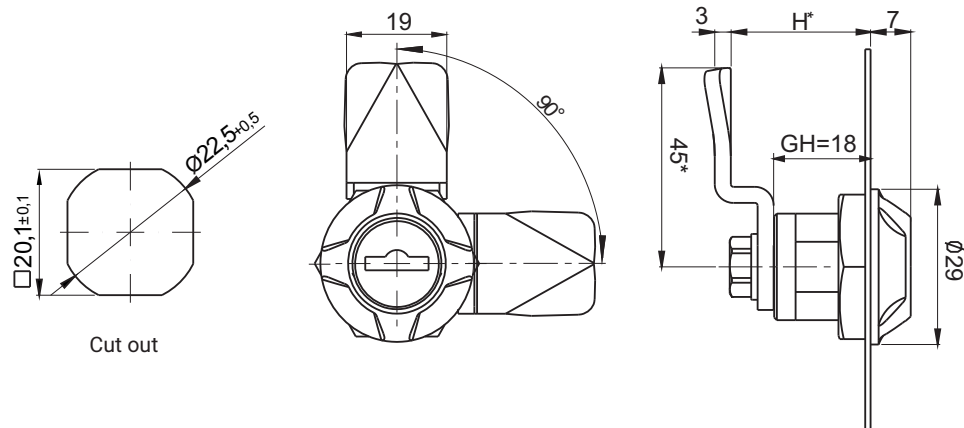
LH/RH



Key code	Finish [C]			
	Chrome	Nickel	RAL 9005	RAL 7035
9001 - 9010	01	02	04	05
NAME	COMPONENTS		MATERIAL	
Lock M22PW	Housing		ZAMAK5	
	Cam		Steel zinc plated	

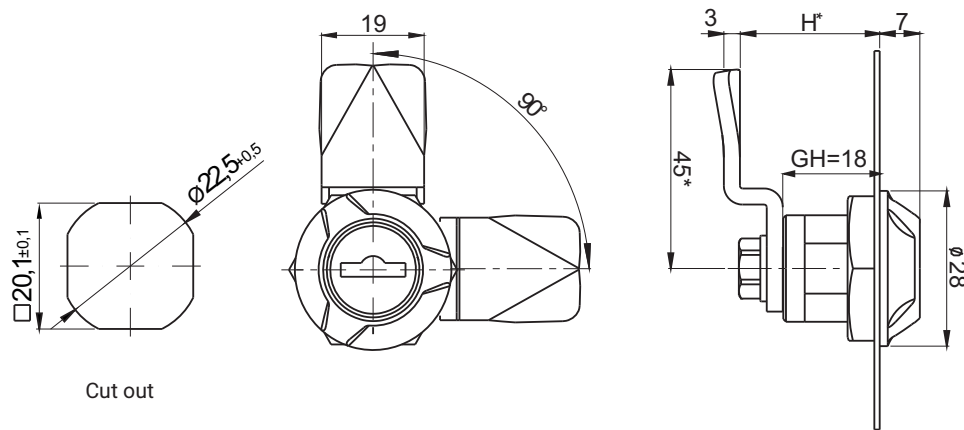


* possibility to make in another dimension
 In order to configure the system master please to contact the dealer.
 The lock is fitted with cams from the group: 15, 16, 17, 19, 21, 35, 36, JZ-001, JK-10018 (page 1C-9 - 1C-22)



LH/RH

Key code						Finish [C]			
						Chrome	Nickel	RAL 9005	RAL 7035
1333	405E	455E	1242E	2432E	RK	01	02	04	05
NAME		COMPONENTS			MATERIAL				
Lock M22EW		Housing			ZAMAK5				
		Cam			Steel zinc plated				



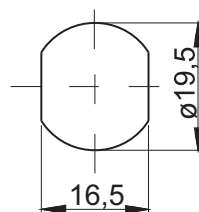
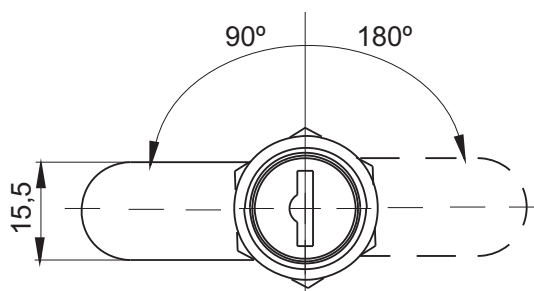
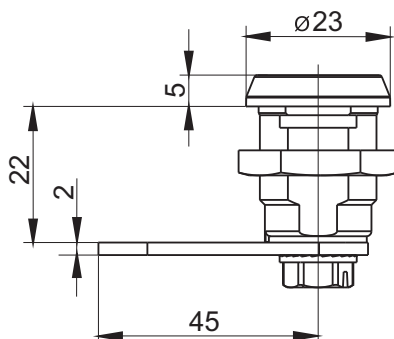
LH/RH

Key code						Finish [C]			
						Chrome	Nickel	RAL 9005	RAL 7035
1333	405E	455E	1242E	2432E	RK	01	02	04	05
NAME		COMPONENTS			MATERIAL				
Lock M22FW		Housing			ZAMAK5				
		Cam			Steel zinc plated				



* possibility to make in another dimension

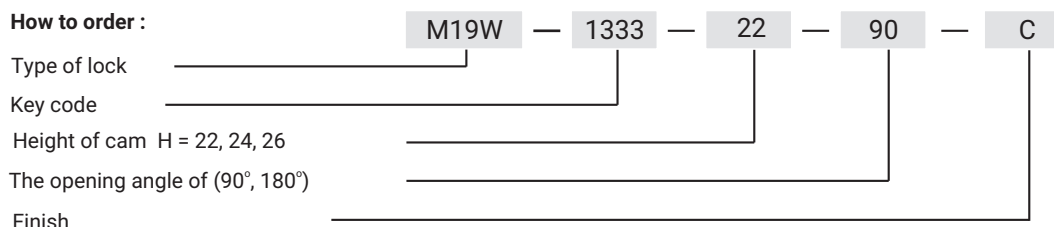
The lock is fitted with cams from the group: 15, 16, 17, 19, 21, 35, 36, JZ-001, JK-10018 (page 1C-9 - 1C-22)



Cut out

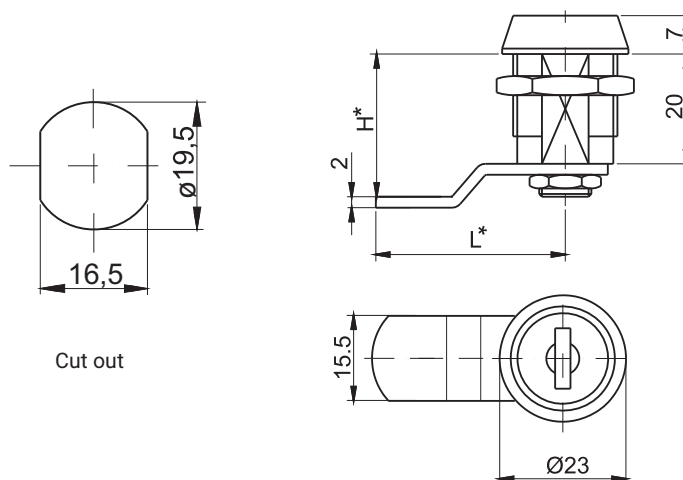
Key code						Finish [C]				
						Chrome	Nickel	Zn **	RAL9005	RAL7035
1333	405E	455E	1242E	2432E	RK	01	02	03	04	05
NAME		COMPONENTS			MATERIAL					
Lock M19W		Housing			ZAMAK5					
		Cam			Steel zinc plated					

How to order :



* possibility to make in another dimension

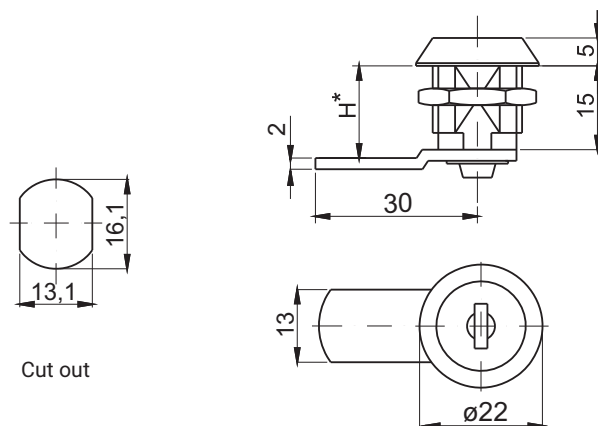
** galvanized



Key code		Finish [C]
25001	RK	Chrome
		01

TYPE OF LOCK	COMPONENTS	MATERIAL
Z-2106	Housing	ZAMAK5
	Cam	Steel zinc plated

How to order :
 Type of lock _____ Z-2106 — RK — 20 — C
 Key code _____
 Height cam H = 20, 22, 26 _____
 Finish _____

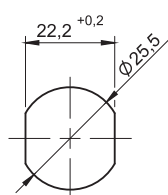


Key code		Finish [C]
827	RK	Chrome
		01

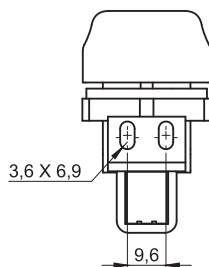
TYPE OF LOCK	COMPONENTS	MATERIAL
Z-0233	Housing	ZAMAK5
	Cam	Steel zinc plated

How to order :
 Type of lock _____ Z-0233 — RK — 15 — C
 Key code _____
 Height cam H = 15, 17 _____
 Finish _____

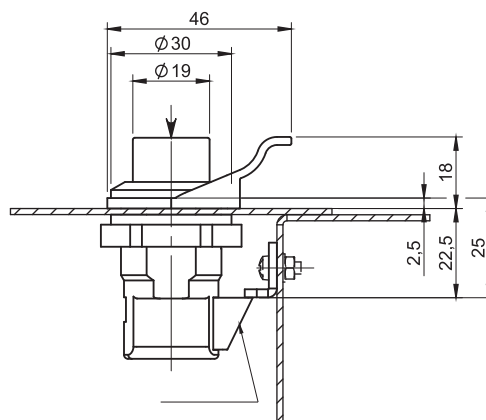
* possibility to make in another dimension



Cut out

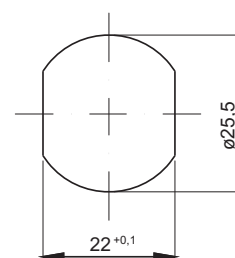
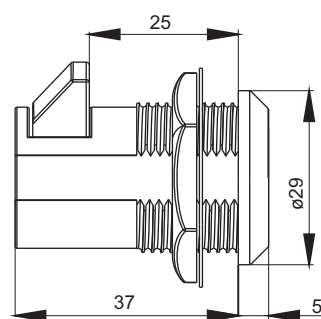
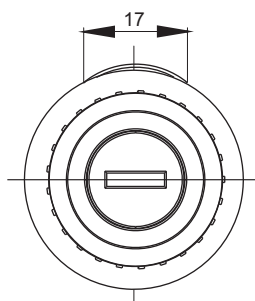


2.529.002



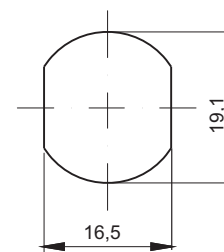
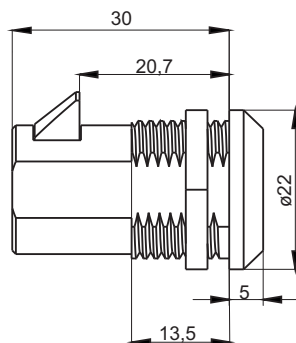
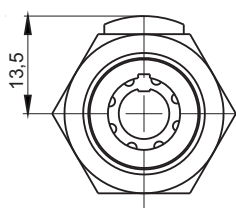
2.529.001

TYPE OF LOCK	VERSION	MATERIAL	FINISH [C]
2.529.001	With key	ABS	RAL 9005
2.529.002	Without key		07



Cut out

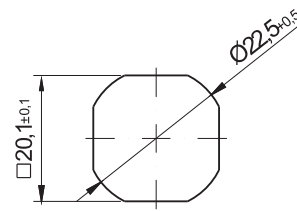
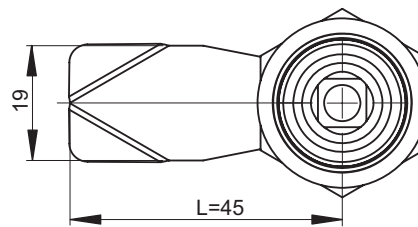
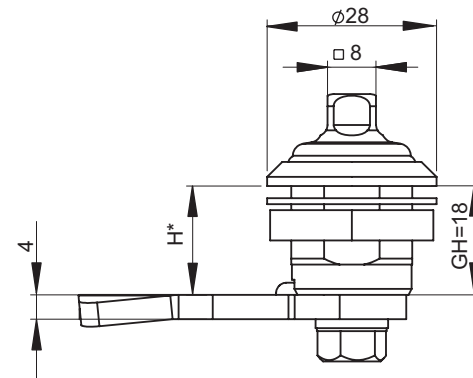
TYPE OF LOCK	COMPONENTS	MATERIAL	FINISH [C]
2.611.001	Housing	ZAMAK5	Chrome
			01



Cut out

TYPE OF LOCK	COMPONENTS	MATERIAL	FINISH [C]
2.612.001	Housing	ZAMAK5	Chrome
			01

stainless steel **IP69K** LH/RH



Cut out

The lock have a the IP69K protection
 The seals are in accordance with FDA and
 have allowing from to come into contact with the food product
 * standard material stainless steel 304,
 possible to order stainless steel 316

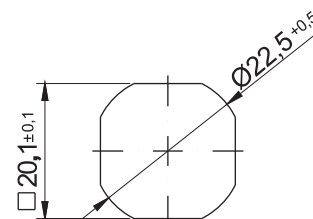
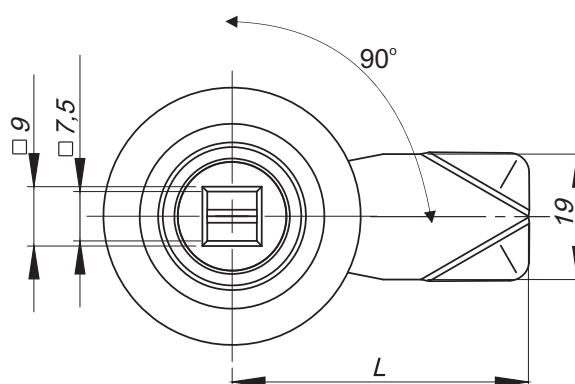
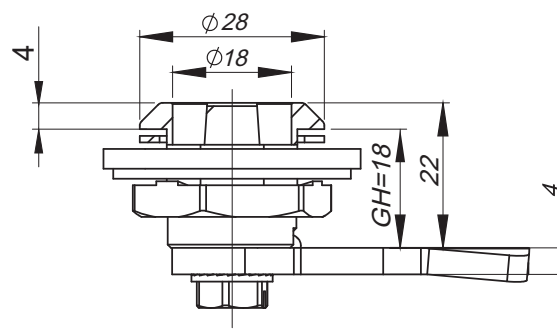
Insert		
T9	KW 8	C9

NAME	COMPONENTS	MATERIAL
Lock M22 IP	Housing, insert	Stainless steel
	Cam	Stainless steel

How to order : M22IP — KW 8 — 18
 Type of lock _____
 Type of insert _____
 Height cam H (page 1C-9 - 1C-22) _____

* possibility to make in another dimension

stainless steel **IP65**



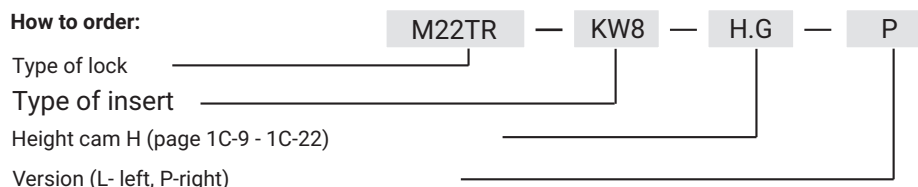
Cut out

The lock in accordance to NF F 01-054 standard.
 The lock has a strength test on opening and closing process
 and also tests describing the impact of vibration according to EN 61373 standard.

Washer M22 DIN 125 A included.

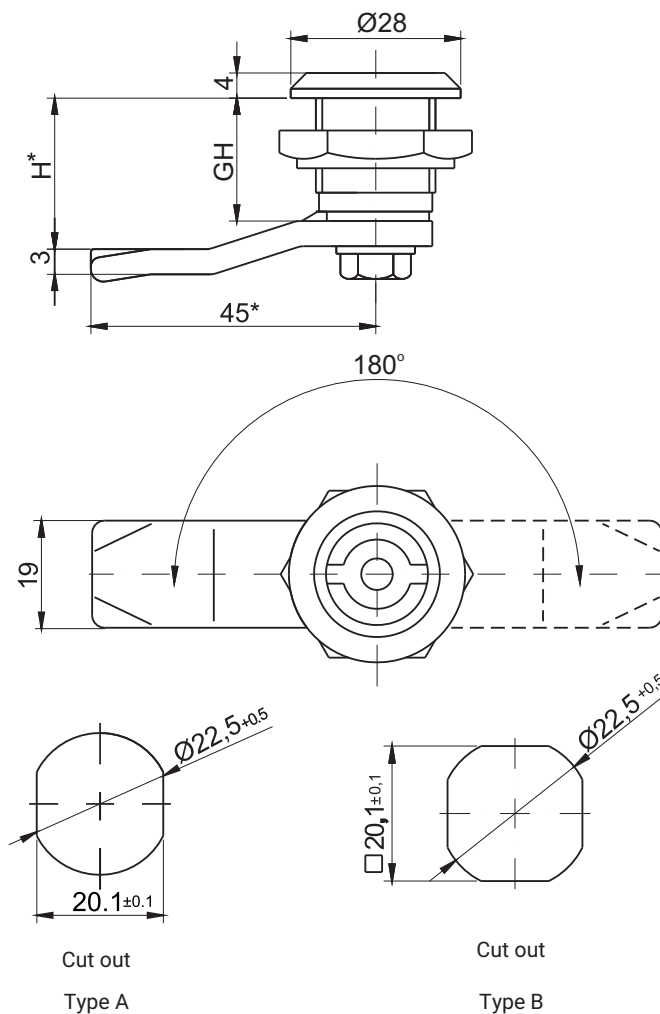
Inserts	
T9	KW 8

NAME	COMPONENTS	MATERIAL
Lock M22TR	Housing, insert	Stainless steel 304
	Cam	Stainless steel 304



where H.G - the cam unbending dimension

Notice:
 Lock M22TR is compatible with all cams from range : 13, 14, 33, 34,
 H.G dimension to be chosen from pages 1C-9 to 1C-22 from the catalogue.



Lock adapted to work with 3 points cam.
Note: Lock milled in with 4 sides (Type B rear lock) - on request.

where:
ZZR18 = GH=18
ZZR19 = GH=19 **ZZR38** = GH=38
ZZR28 = GH=28 **ZZR50** = GH=50

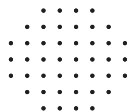
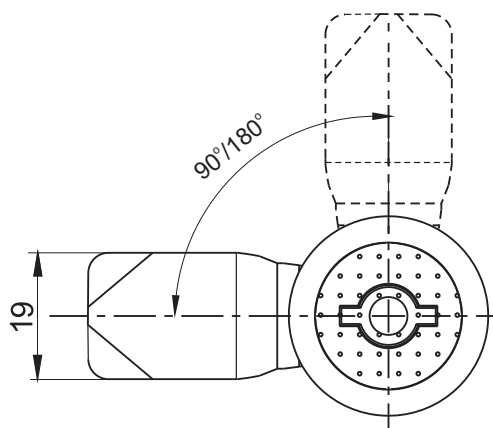
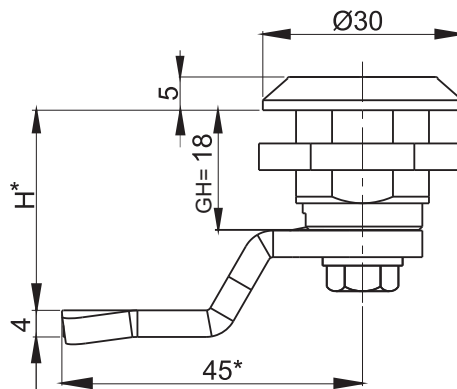
Insert									Finish [C]
									Chrome
D3	D5	T8	T9	KW 8	S	N	C9	KW8-9Z	01
NAME			COMPONENTS						MATERIAL
ZZR18, ZZR19, ZZR28, ZZR38, ZZR50			Housing, insert						Steel
			Cam						Steel zinc plated
ZZR18SN, ZZR19SN, ZZR28SN, ZZR38SN, ZZR50SN			Housing, insert						Stainless steel
			Cam						Stainless steel



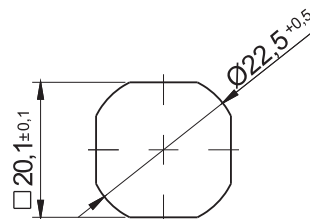
* possibility to make in another dimension
 **possibility of making lock grade stainless steel. 316

The lock is fitted with cams from the group: 11, 12, 13, 14, 18, 31, 33, 38, JK-1610.01 (page 1C-9 - 1C-22)

stainless steel IP65 LH/RH



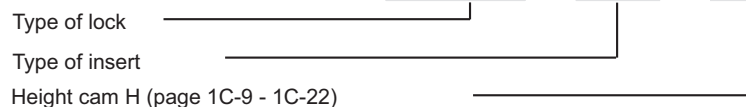
Means closed surface



Cut out

TYPE OF LOCK	COMPONENTS	MATERIAL	Insert
ZZR18.010	Housing, insert	Stainless steel	
	Cam		D5 T8 KW 8

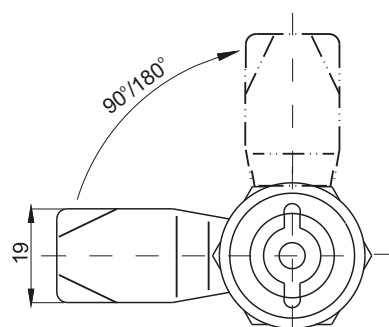
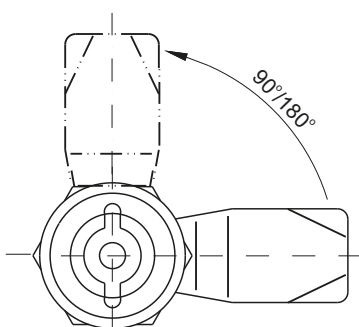
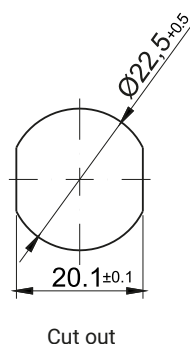
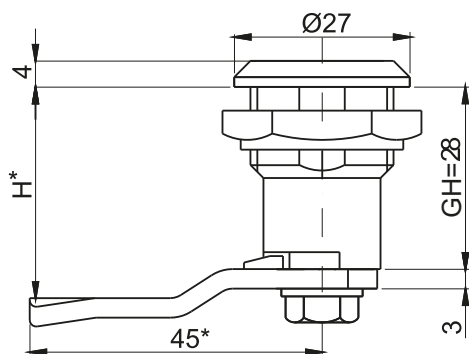
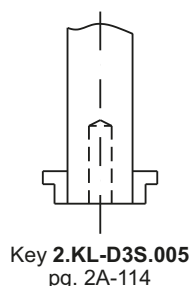
How to order : ZZR18.010 — KW 8 — H.G



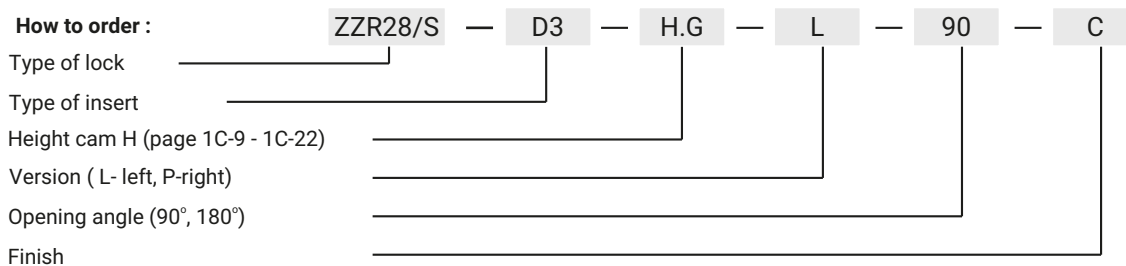
* possibility to make in another dimension
Note: When ordering specify the thickness of the locking cam

The lock is fitted with cams from the group: 11, 12, 13, 14, 18, 31, 33, 38, JZ-002, J-6000.03, J-6000.04, JK-1610.01 (page 1C-9 - 1C-22)

stainless steel LH/RH



TYPE OF LOCK	COMPONENTS	MATERIAL	FINISH [C]
			Chrome
ZZR28/S	Housing, insert	Brass	01
	Cam	Steel zinc plated	-
ZZR28/S SN	Housing, insert	Stainless steel	-
	Cam	Stainless steel	-



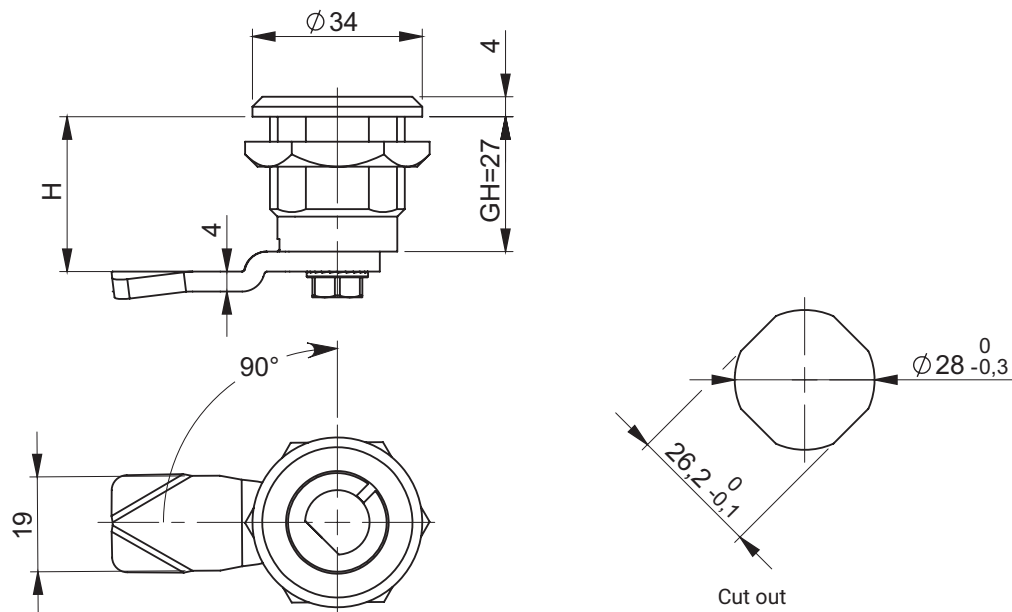
* possibility to make in another dimension

Note:

A key 2.KL-D3S.005 pg.2A-114, can be ordered for the lock, which is designed to prevent the ZZR from being pulled out of the lock when turned to the "open" position.
The lock can be used with 3-point cam with a limiter pg. 1C-17, 1C-18
H.G- dimension of the cam bend (H- height of the lock, G-group)

Lock compatible with cams from groups 11,13,18, 31, 33, 38, JZ-002, JK-1610.01 (pg.1C-9 1C-22).

LH/RH



Insert



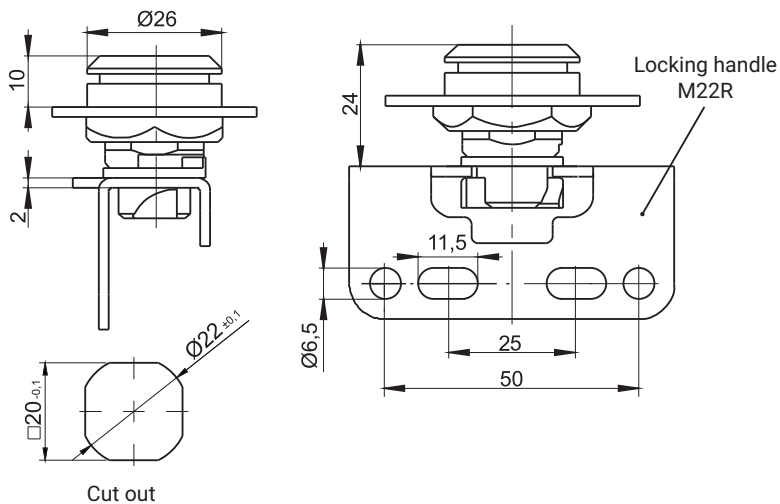
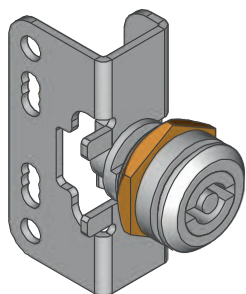
D13

Note:

1. The key can be inserted and pull out only in the closed position
2. Adapted to lock the key KL-D13 (page 2A-115)

TYPE OF LOCK	COMPONENTS	MATERIAL
CZ-E1	Housing, insert	Brass zinc plated
	Cam	Steel zinc plated

LH/RH



Insert



D5



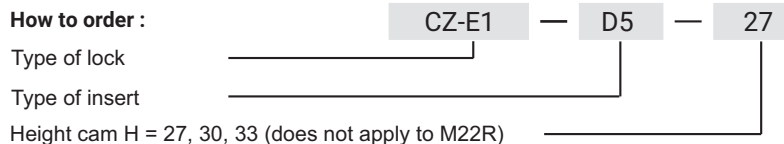
T9



KW 8

TYPE OF LOCK	COMPONENTS	MATERIAL
M22R	Housing, insert	Steel zinc plated
	Cam	ZAMAK5

How to order :

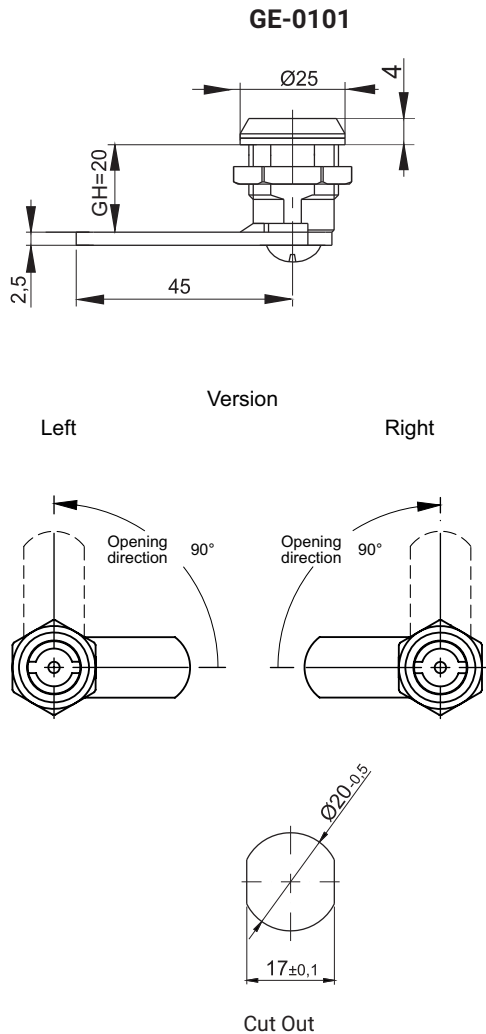


* possibility to make in another dimension

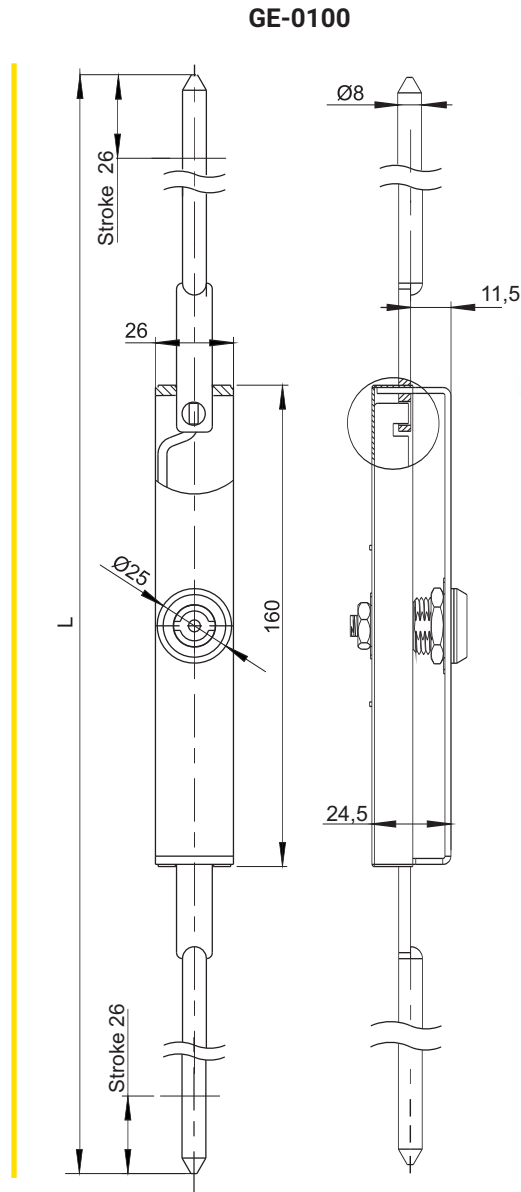
Notice: Handle for M22R is not a part of a set.

To order separately:

- galvanized steel M22R: M22R.001.01
- stainless steel: M22R.001.02



Insert		
D3	T9	KW 8

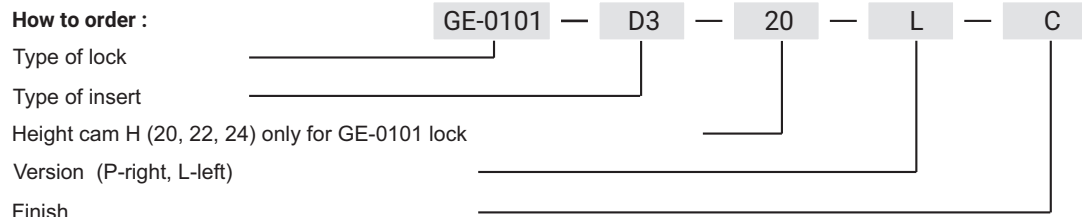


LH/RH

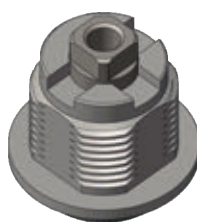
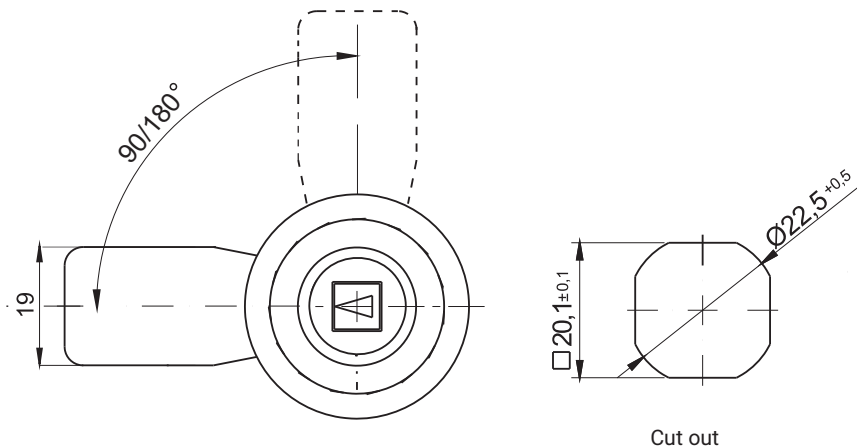
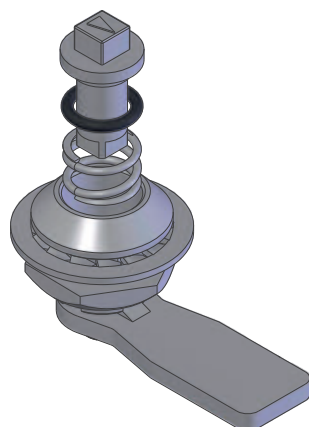
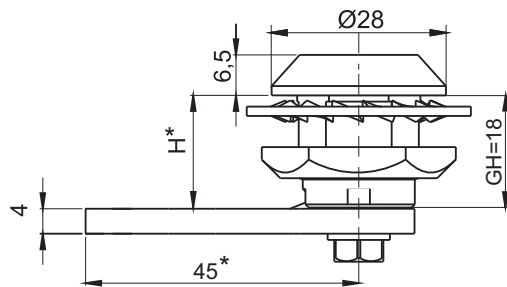


For this lock you can order key from page 2A-112 to 2A-114 (Ø13,5)

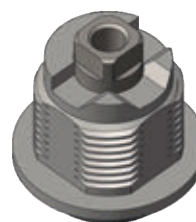
TYPE OF LOCK	COMPONENTS	MATERIAL	FINISH [C]
			Chrome
GE-0101	Housing, insert	Brass - chromium	01
	Cam	Steel zinc plated	-
GE-0100	Housing, insert	Brass - chromium	01
	Cam	Stainless steel	-



* possibility to make in another dimension



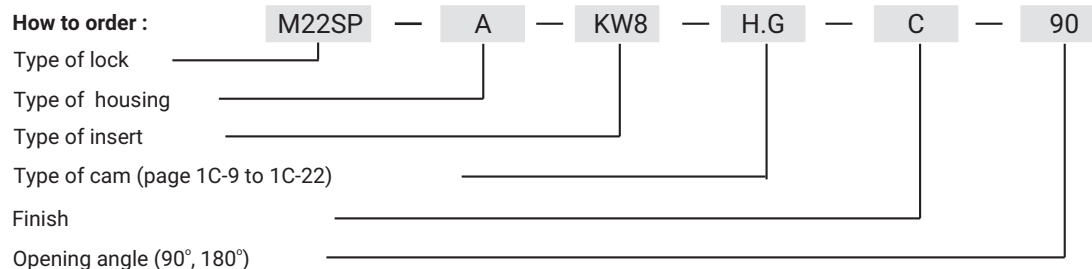
Type A



Type B

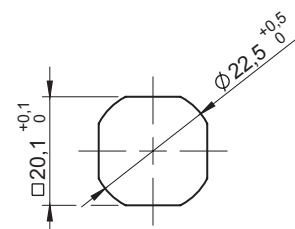
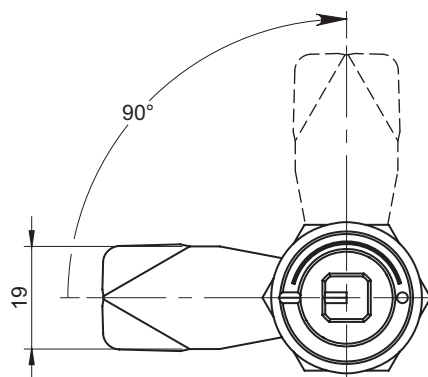
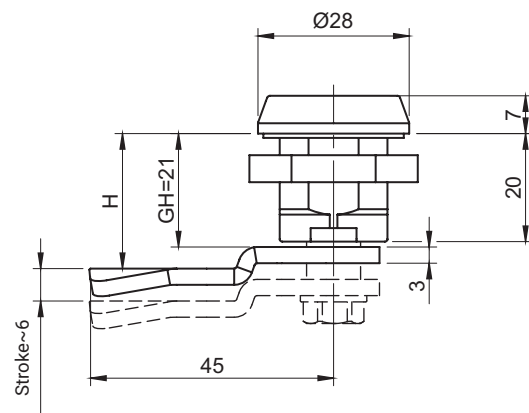
Lock with backlash compensation and protection in case of accidental opening. In order to open/close the lock first press the insert and then turn 90 degrees.

Insert					Finish [C]			
					Chrome	Nickel	RAL 9005	RAL 7035
KW6	KW8	KW8-3	T8	T9	01	02	04	05
TYPE OF LOCK		COMPONENTS		MATERIAL				
M22SP		Housing, insert		ZAMAK5				
		Cam		Steel zinc plated				



* possibility to make in another dimension

The lock is fitted with cams from the group: 11, 12, 13, 14, 31, 32, 33, 34, 38, (page 1C-9 - 1C-22)

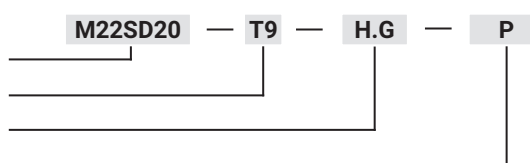


Cut out

Compression lock with a stroke of approx. 6mm.
The drawing shows the right-hand version of the lock.
The left-hand version is a mirror reflection of the right.

TYPE OF LOCK	INSERTS [D]			COMPONENTS	MATERIAL
M22SD20SN	RAILWAY	KW8	T9	Housing, Insert, Cam	Stainless steel

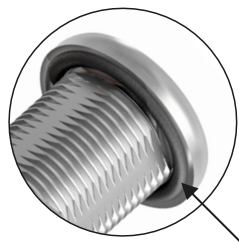
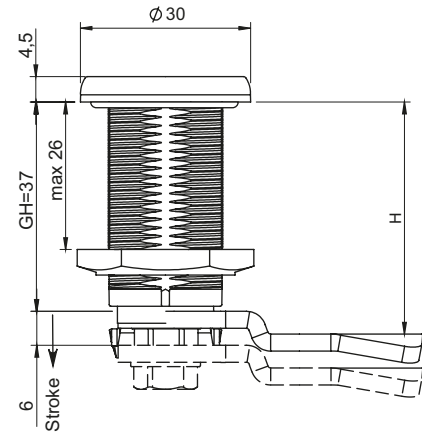
How to order:
Type of lock
Type of insert [D]
Locking height
Version (L-left, P-right)



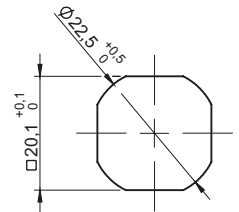
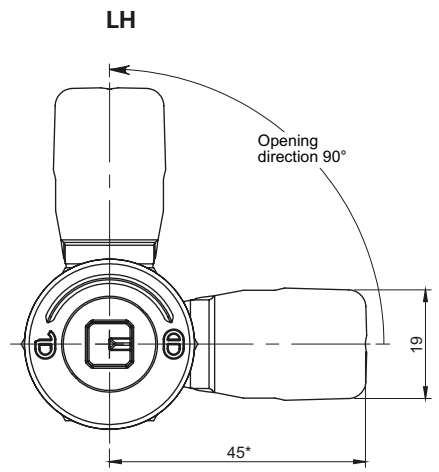
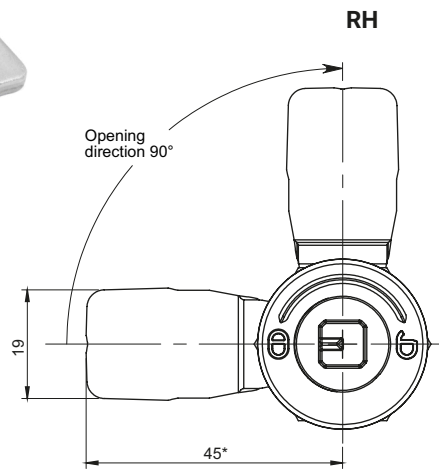
where:
H - locking height
G - cam group
Lock M22SD20SN is fitted with cams from the group: 16 (page 1C-12)

www.roztocze.eu

Locks |



Housing with foamed sealing PUR

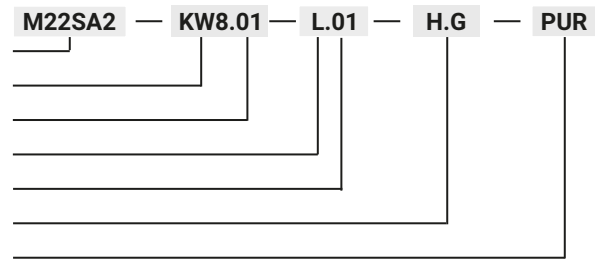


Cut out

TYPE OF LOCK		COMPONENTS		MATERIAL	
M22SA2		Housing, Knob		ZAMAK5	
		Cam, Washer, Nut Internal mechanism		Steel zinc plated	
INSERTS [X]				FINISH [C]	
				Chrome	RAL9005
KW8	T8	D3	D5	01	04

How to order:

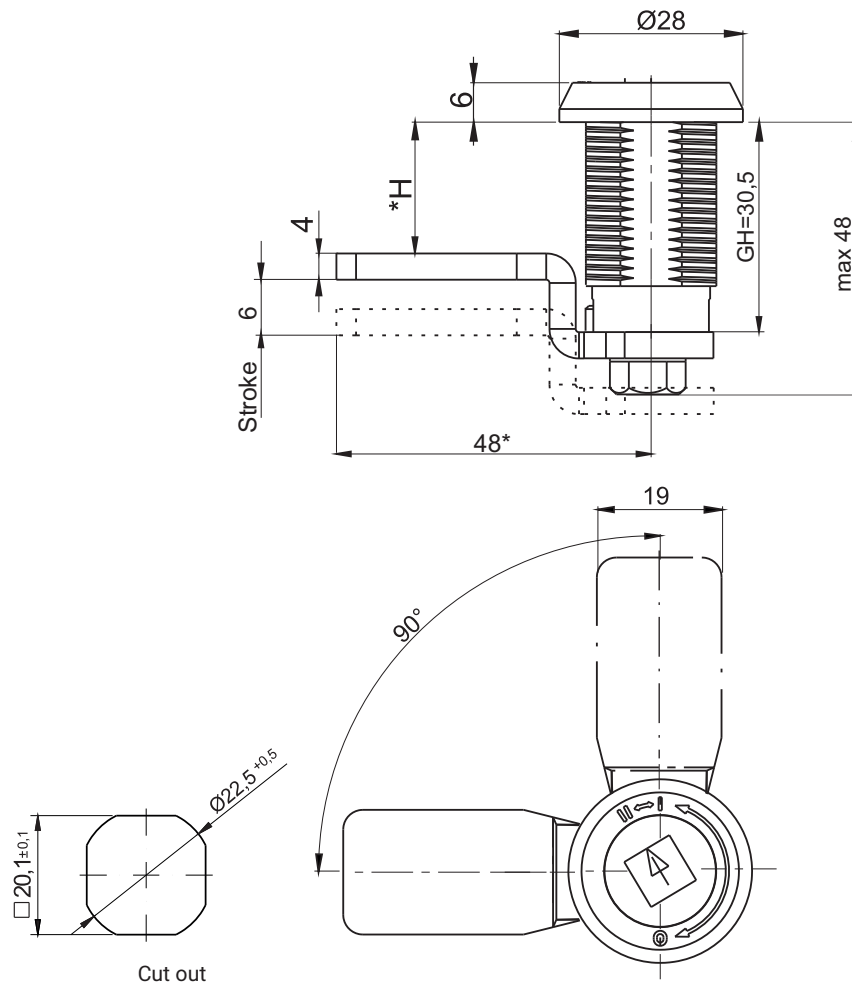
- Type of lock
- Type of insert [X]
- Insert finish [C]
- Type of lock (L-Left, R-Right)
- Housing finish [C]
- Locking height
- PUR foam seal



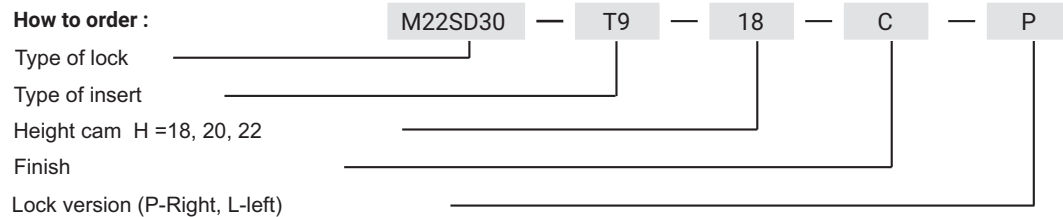
where:

- H - the cam unbending dimension
- G - cam group
- Lock M22SA2 is compatible with all cams from range:15, 16, 19, 35, 36 (page 1C-12 - 1C-19)

LH/RH

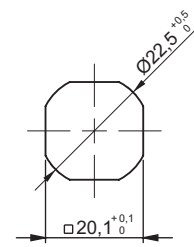
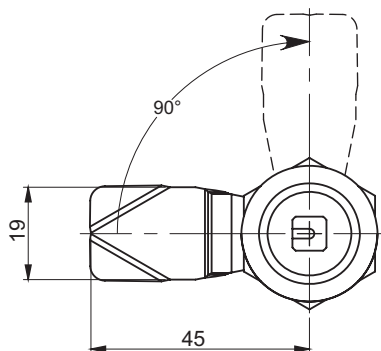
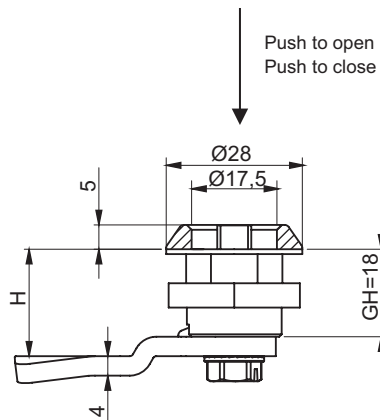
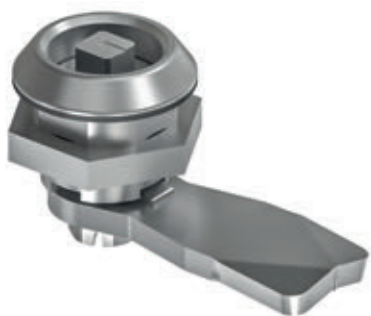


Insert					Finish [C]	
					Chrome	
T9	KW 8	S	N	RAILWAY	01	
TYPE OF LOCK			COMPONENTS		MATERIAL	
M22SD30			Housing, Insert		ZAMAK5	
			Cam		Steel zinc plated	
M22SD30-SN			Housing, Insert, Cam		Stainless steel	



* possibility to make in another dimension
 Lock M22SD30 addition to being locked, has shaped the possibility of additional security padlock.

stainless steel



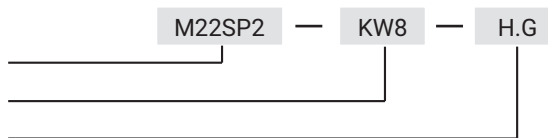
Cut out

Lock with backlash compensation and protection in case of accidental opening. In order to open/close the lock first press the insert and then turn 90° degrees.

Insert			
KW 7	KW 8	T8	T9
TYPE OF LOCK		COMPONENTS	MATERIAL
M22SP2		Housing, Insert, Cam	Stainless steel

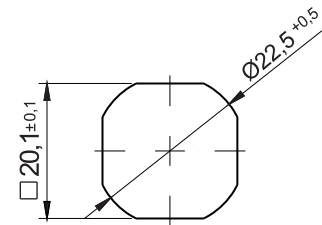
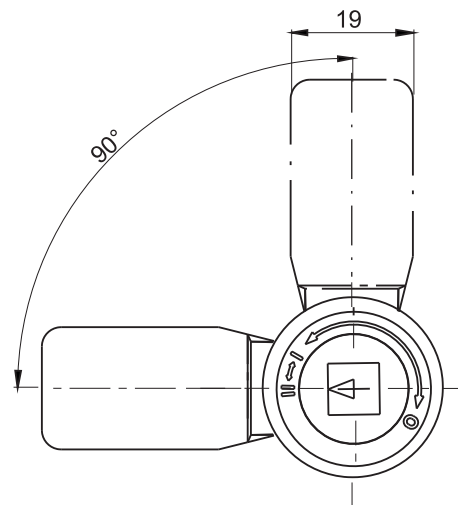
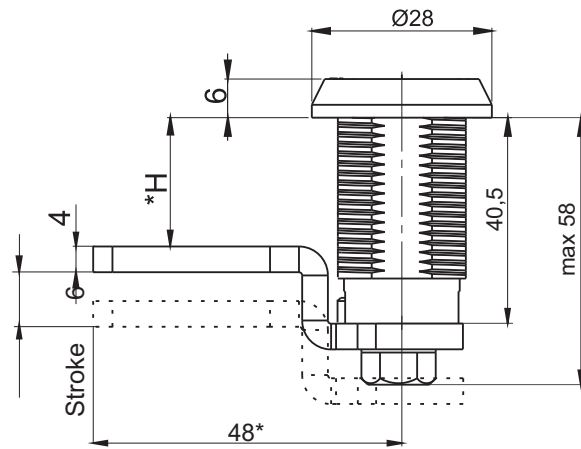
How to order:

Type of lock
Type of housing
Finish



The lock is fitted with cams from the group: 13, 14, 33, 34, (page 1C-9 - 1C-22)

stainless steel LH/RH



Cut out

Insert				
T9	KW 8	S	N	RAILWAY

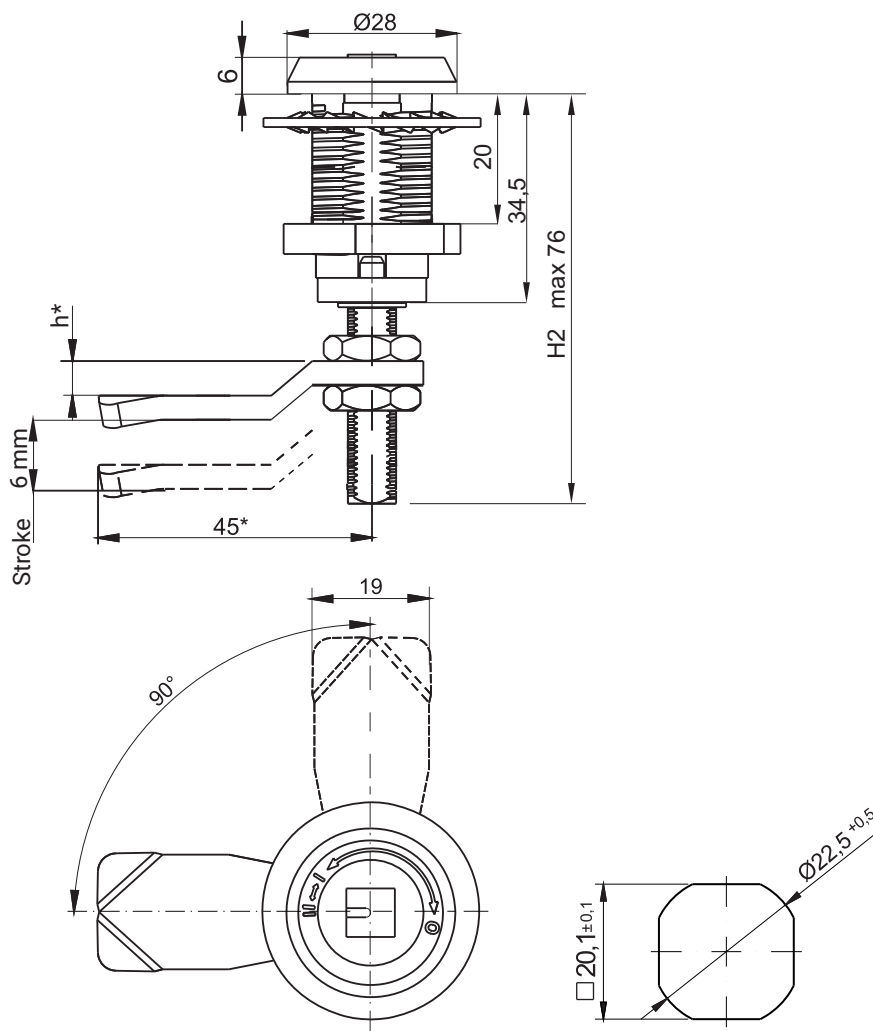
TYPE OF LOCK	COMPONENTS	MATERIAL
M22SD40	Housing, insert	Stainless steel
	Cam	

How to order :



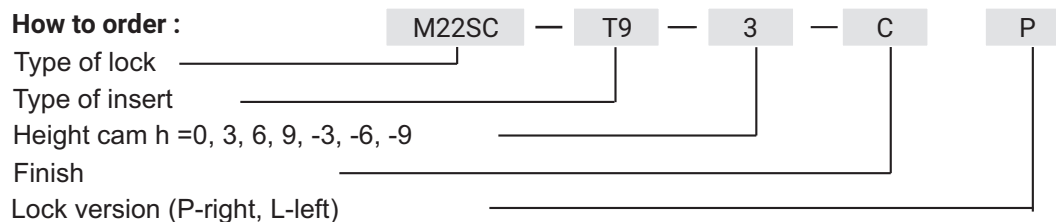
* possibility to make in another dimension
 Lock M22SD40 addition to being locked, has shaped the possibility of additional security padlock.

stainless steel LH/RH



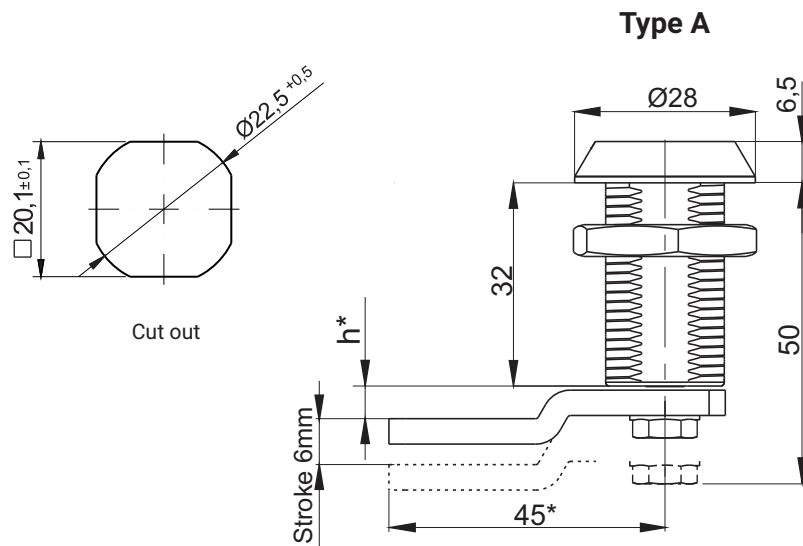
Cut out

Insert					Finish [C]	
					Chrome	
T9	KW 8	S	N	RAILWAY	01	
TYPE OF LOCK			COMPONENTS		MATERIAL	
M22SC			Housing, insert		ZAMAK5	
			Cam		Steel zinc plated	
M22SC SN			Housing, insert		Stainless steel	
			Cam			

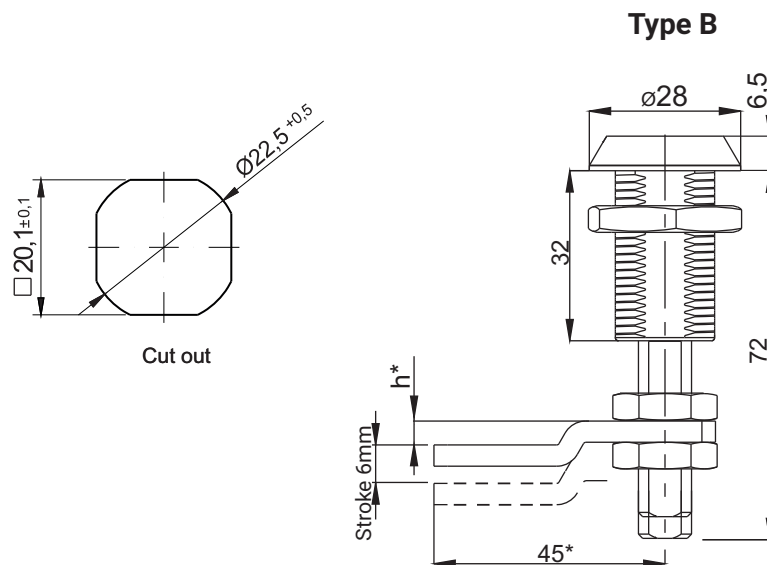


* possibility to make in another dimension
 Lock M22SC addition to being locked, has shaped the possibility of additional security padlock.

IP65 LH/RH



IP65 LH/RH

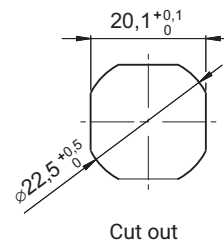
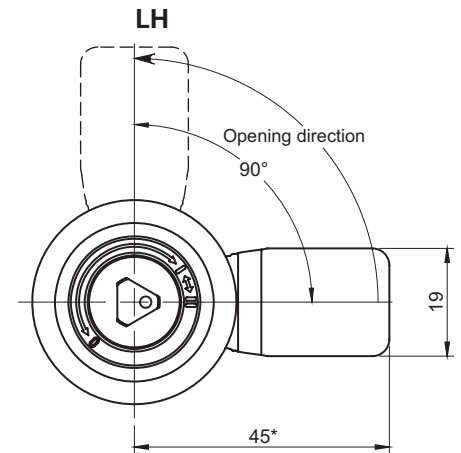
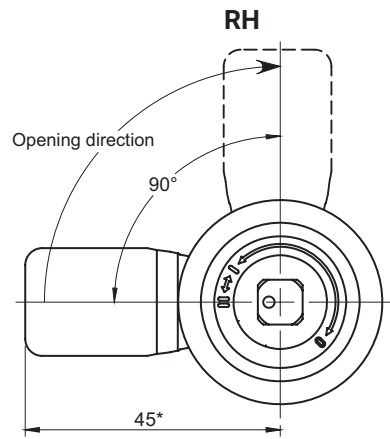
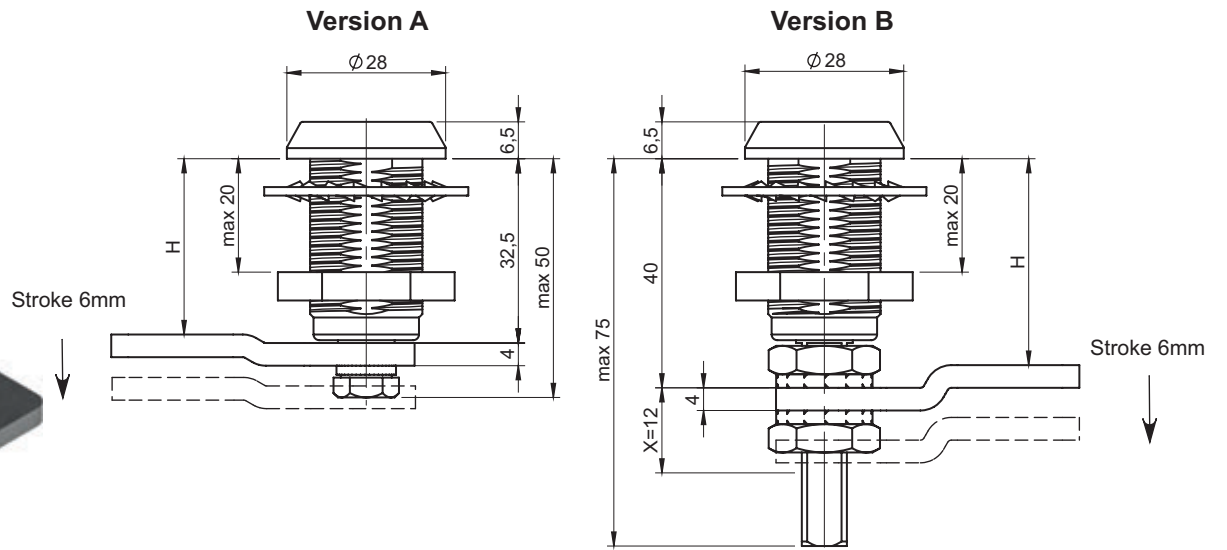


INSERT						FINISH [C]	
						Chrome	RAL 9005
D3	D5	T7	T9	KW 7	KW 8	01	04
TYPE OF LOCK				COMPONENTS		MATERIAL	
M22SA				Housing, insert		ZAMAK5	
				Cam		Steel zinc plated	



* possibility to make in another dimension

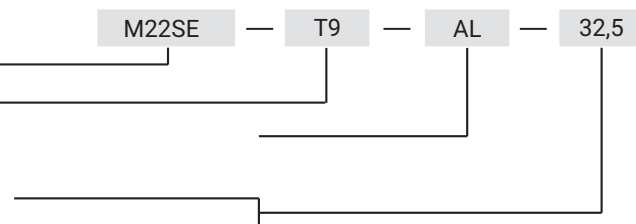
stainless steel IP65 LH/RH



TYPE OF LOCK	COMPONENTS	MATERIAL	INSERT
M22SE SN	Housing, Insert Cam	Stainless steel	T9 T7 KW8 KW8-2

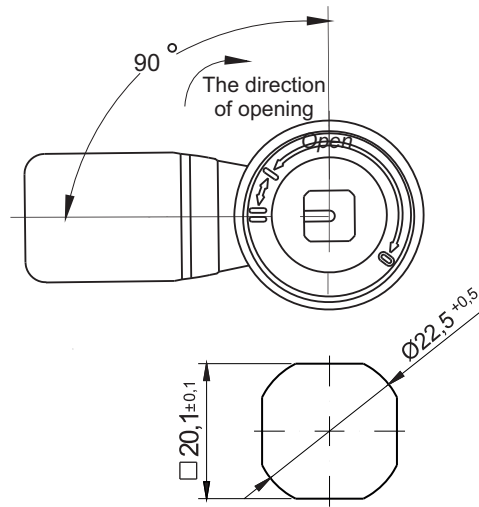
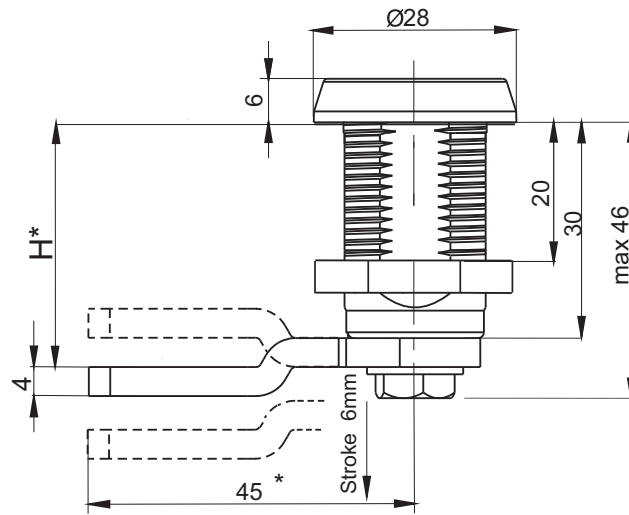
How to order :

Type of lock
Type of insert
Version A, B; (left - LH, right - RH)
High cam
- for version A H=27,5; 32,5; 37,5
- for version B H=35; 40; 45



* possibility to make in different dimension

LH/RH

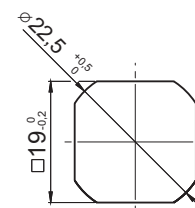
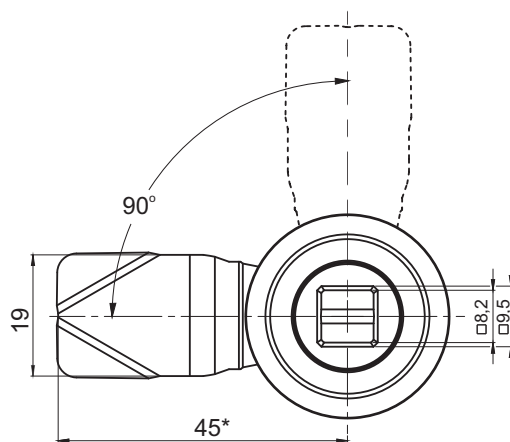
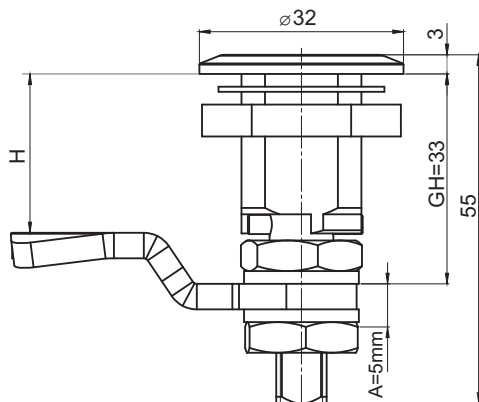


Cut out

INSERT		FINISH [C]	
		Chrom	RAL 9005
T9	KW8	01	04
TYPE OF LOCK		COMPONENTS	MATERIAL
M22SG		Housing, insert	ZAMAK 5
		Cam	Steel zinc plated



stainless steel **IP65**



Cut out

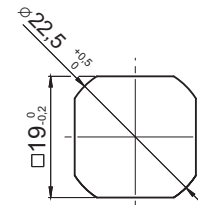
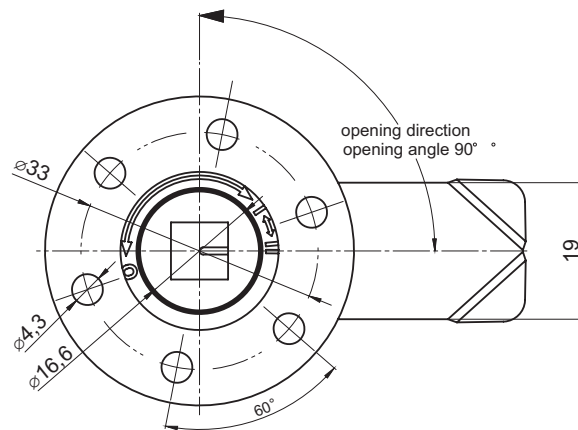
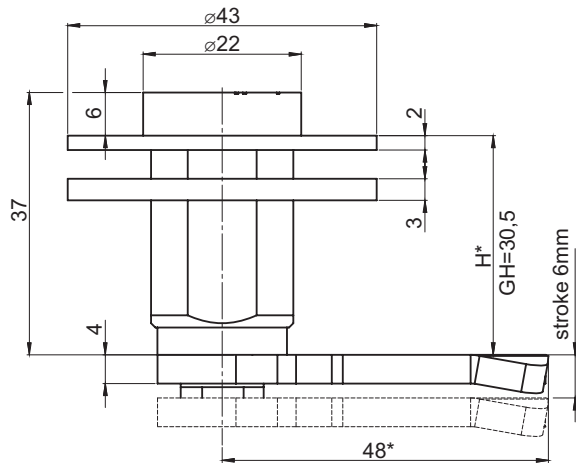
A - the height of the latch adjustment H

TYPE OF LOCK	COMPONENTS	MATERIAL
M22JR-SN	Housing, Insert, Cam	Stainless steel

How to order :



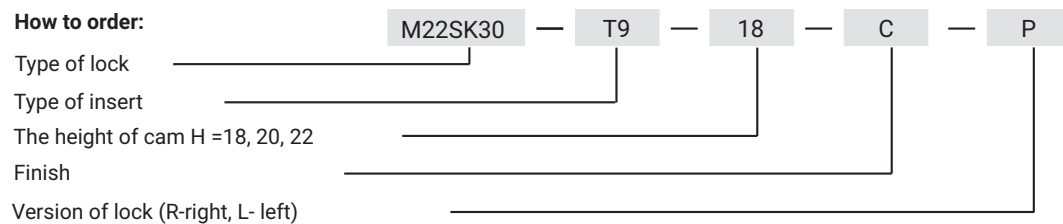
* possibility to order in a different dimension



Cut out

INSERTS					FINISH [C]
					Chrome
T9	KW 8	S	N	RAILWAY	01

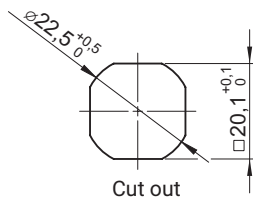
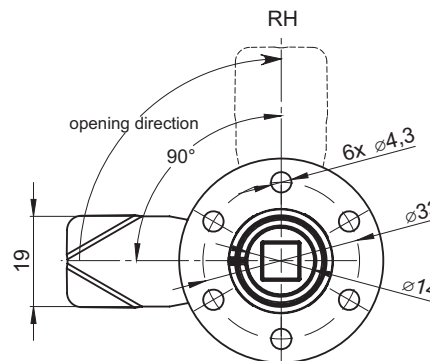
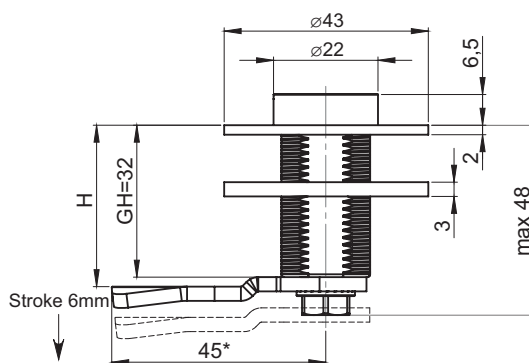
TYPE OF LOCK	COMPONENTS	MATERIAL
M22SK30	Housing	ZAMAK5
	Insert	Stainless steel
	Cam, Washer, Nut	Zinc plated steel
M22SK30SN	Housing, Insert, cam, washer, Nut	Stainless steel



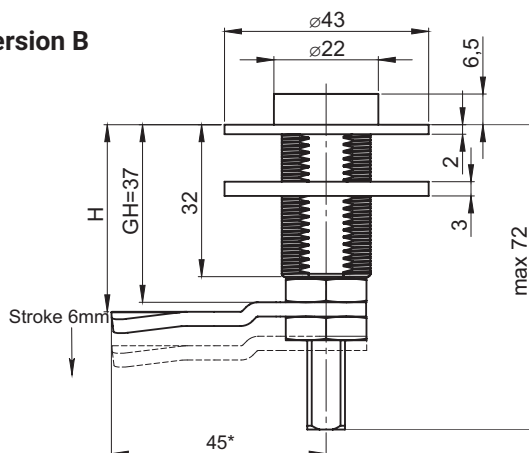
* Possibility to order in a different dimension



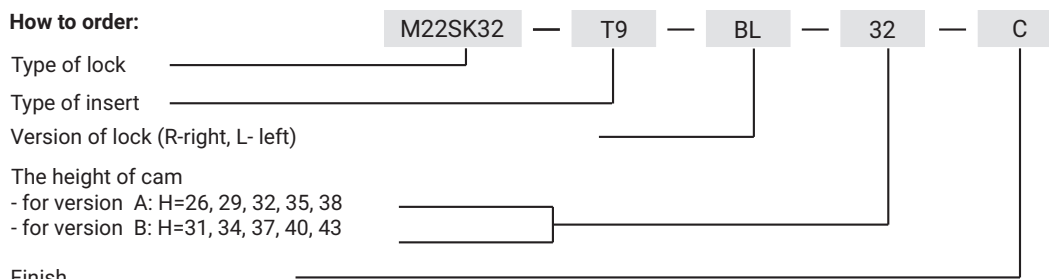
Version A



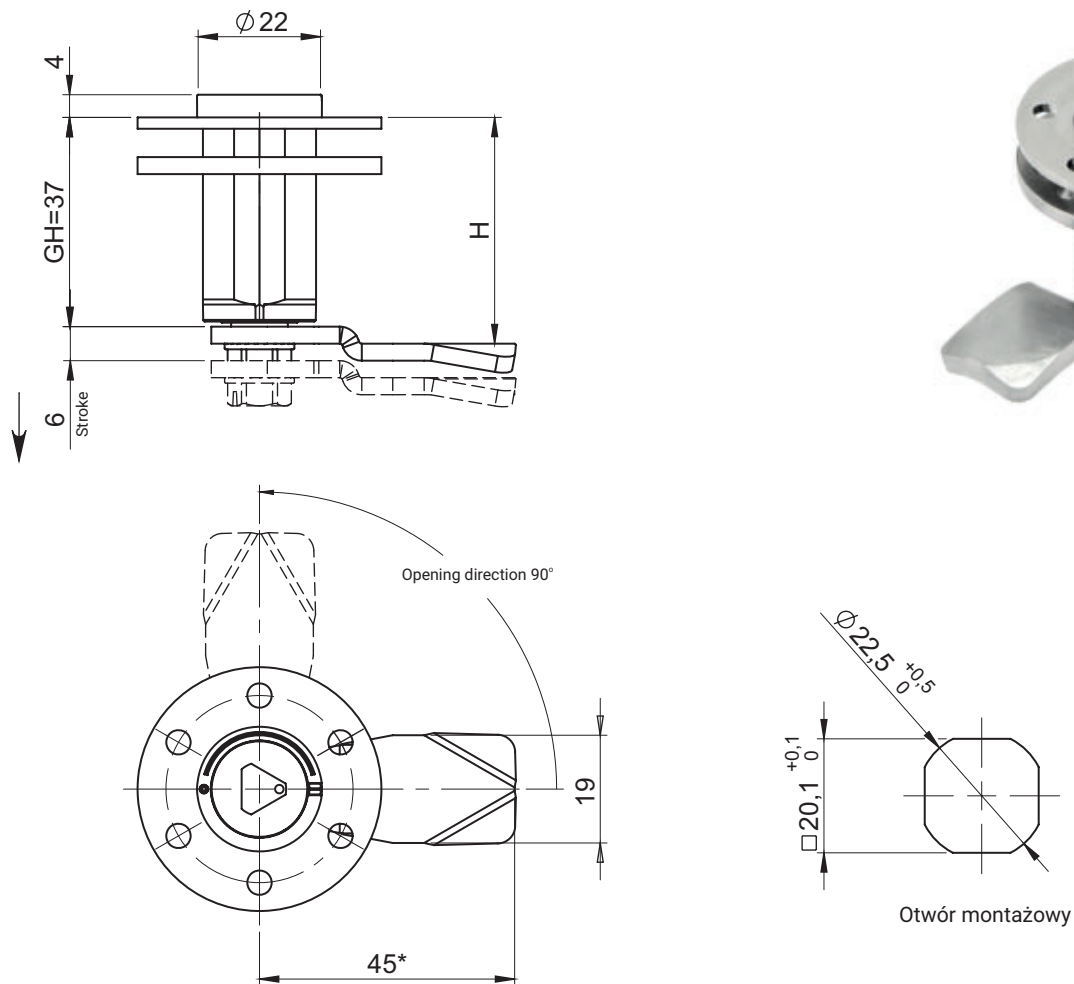
Version B



INSERTS					FINISH [C]	
					Chrome	RAL 9005
D3	D5	T9	KW 7	KW 8	01	04
TYPE OF LOCK			COMPONENTS		MATERIAL	
M22SK32			Housing, Insert		ZAMAK5	
			Cam, Washer, Nut		Zinc plated steel	



* Possibility to order in a different dimension

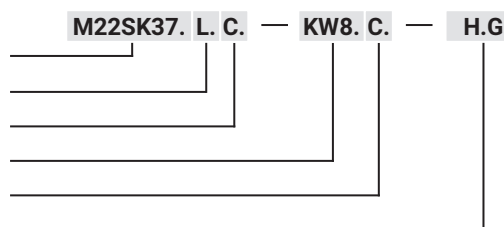


The lock shown fits left-hand doors. The lock for right-hand doors is a mirror image.

TYPE OF LOCK		COMPONENTS		MATERIAL
M22SK37		Housing, Insert		ZAMAK5
		Cam, Washer, Screw, Internal Mechanism		Zinc plated steel
INSERTS		FINISH [C]		
		Chrome	RAL9005	
KW8	T8	01	04	

How to order:

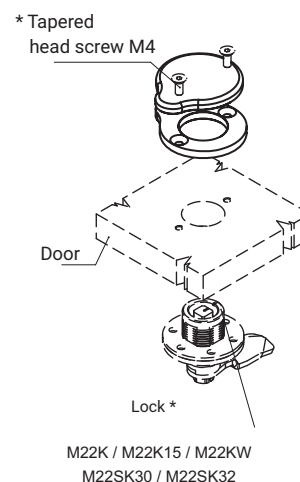
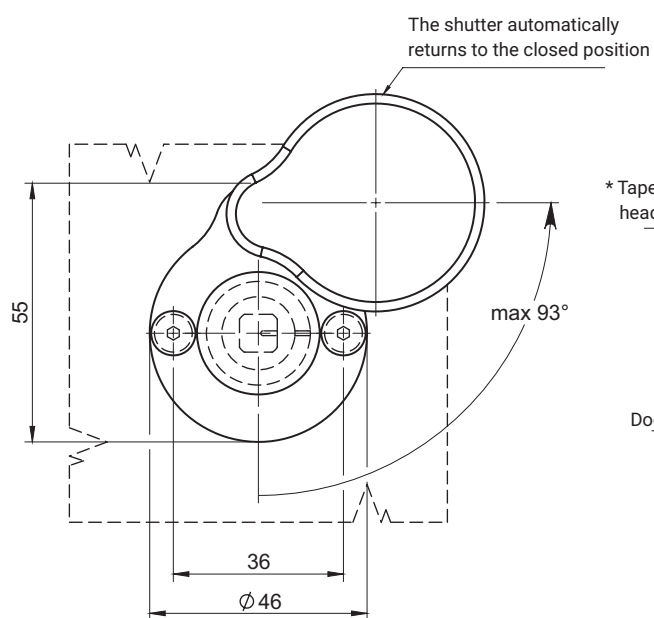
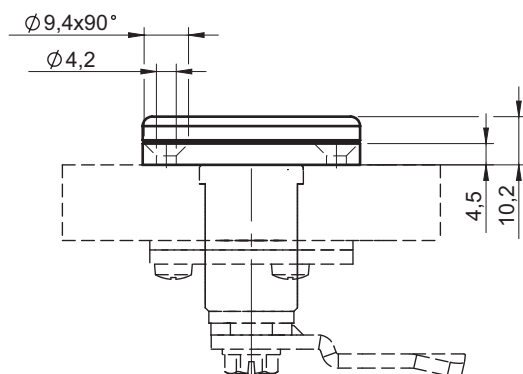
- Type of lock
- Version of lock R-right, L- left
- Housing finish
- Type of insert
- Insert finish
- Height locking



meaning:

- H - the cam unbending dimension
- G - cams range

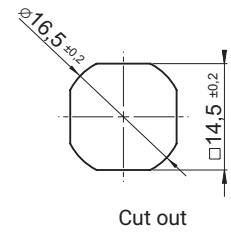
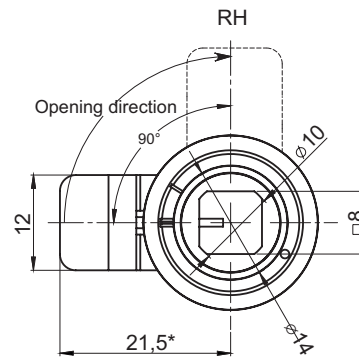
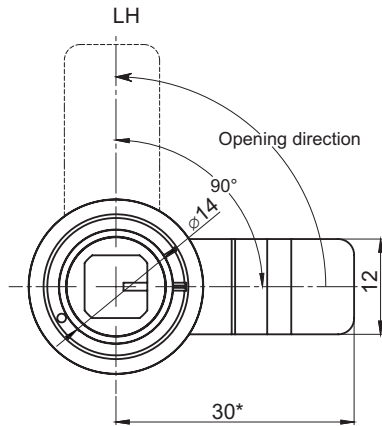
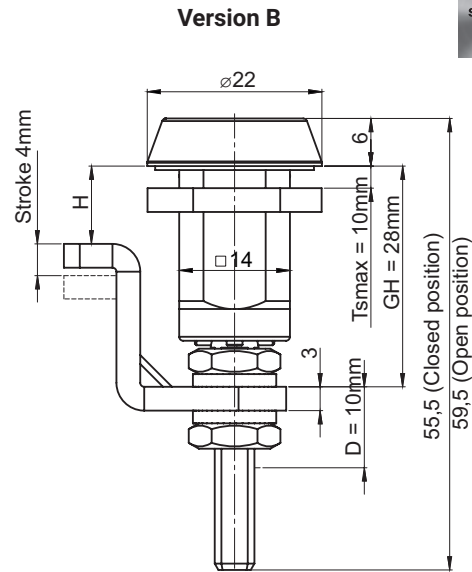
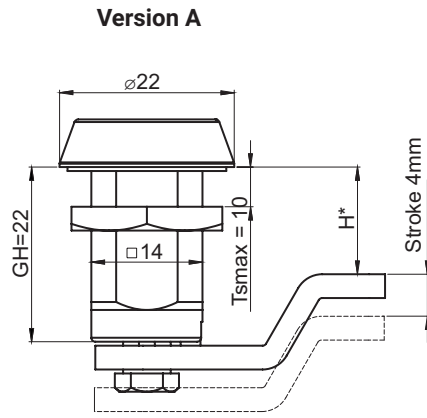
Lock M22SK37 is compatible with cams from groups: 15, 16, 19, 35, 36 (page 1C-12 - 1C-19)



Cover 2.904.020SN compatible with locks: M22K, M22K15, M22KW, M22SK30, M22SK32, M22SK37.

* not included in delivery

NR CATALOGUE NUMBER	DETAIL	MATERIAL
2.904.020SN	Przesłona	Stainless steel, electropolished



Height adjustment H cam for lock in version B

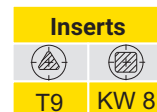
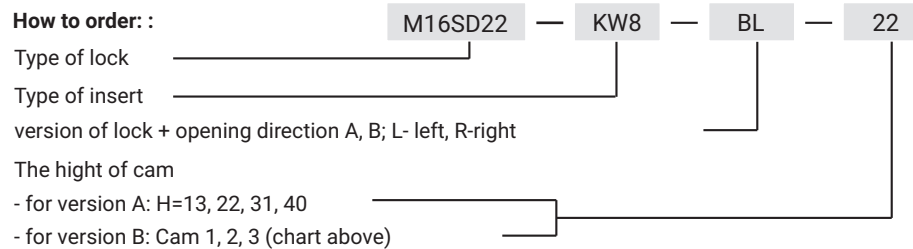
Cam	H
1 Bended 18mm	10 - 20
	46 - 56
2 Bended 9mm	19 - 29
	37 - 47
3 Straight	28 - 38

The lock has IP65.
The lock has double pressure.
The lock is fitted with the key 2.KLKW8.001 (str. 2A-112 - 2A-113).

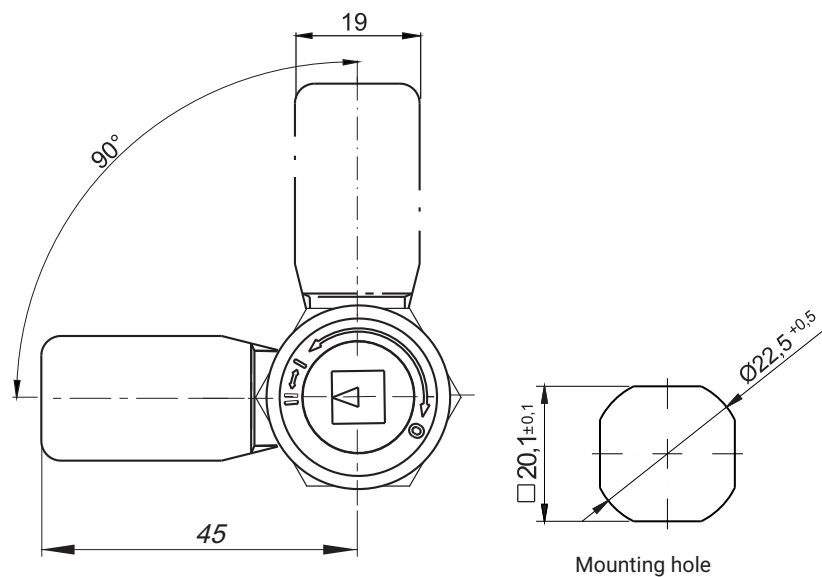
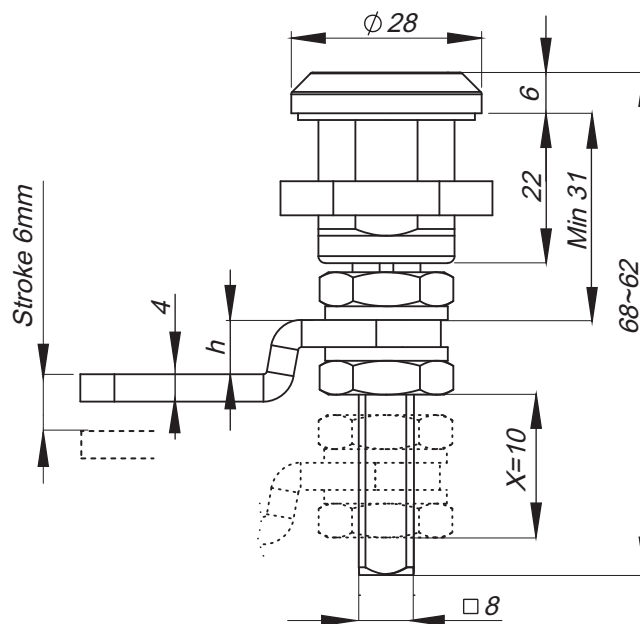
D - the range of latch adjustment M16SD22 type B.
Ts - the thickness of sheet steel.
In lockM16SD22 type B bended can be fitted double sided.

TYPE OF LOCK	ELEMENTY SKŁADOWE	MATERIAL
M16SD22	Housing, Insert, Cam	Stainless steel

How to order :



stainless steel **IP65**



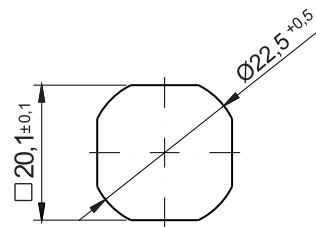
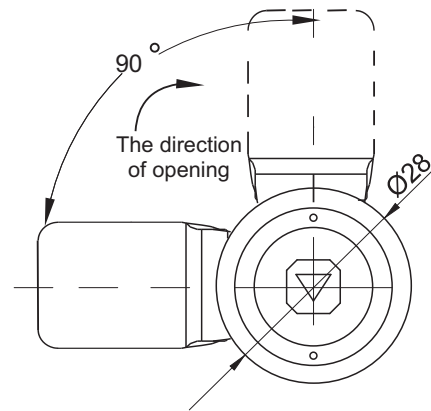
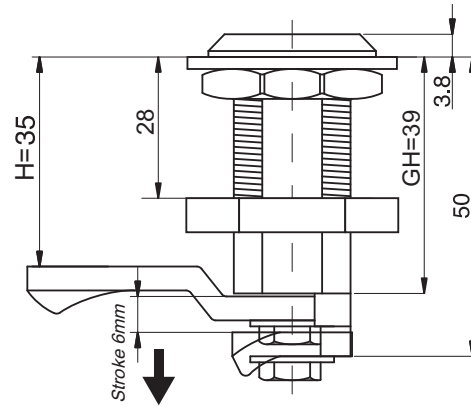
Lock has IP65
The lock has two sided clamp.
The x value means the range of adjusting the bar.

Inserts	
T9	KW 8

TYPE OF LOCK	COMPONENTS	MATERIAL
M22SD22	Housing, insert	Stainless steel 304
	Cam	Stainless steel 304



stainless steel RoHS LH/RH

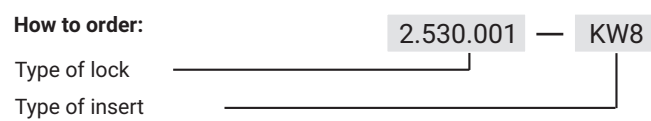


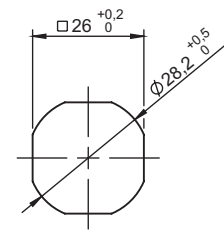
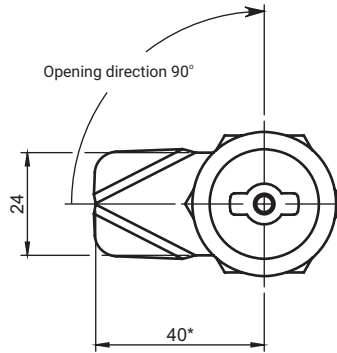
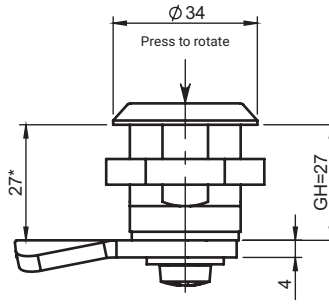
Cut out

Insert		
KW 8		
TYPE OF LOCK	COMPONENTS	MATERIAL
2.530.001	Housing, insert	Stainless steel
	Cam	Stainless steel

* possibility to make in another dimension

How to order:





Mounting hole

Lock with protection from undesirable opening without specific key.
 Rotation of locking cam is possible after pushing pin by key.
 Key removal possible only in locking position of the lock.
 Lock works with key 2.KL-D5.001 (pg. 2A-112 - 2A-113).

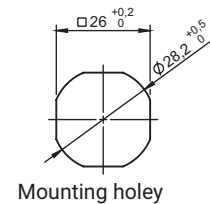
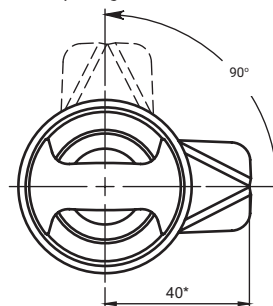
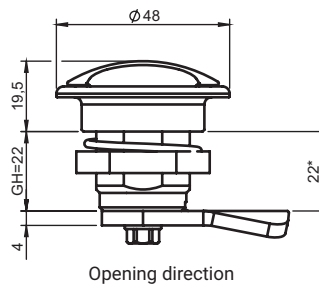
TYPE OF LOCK	COMPONENTS	INSERT [X]	MATERIAL
M28-1	Housing, Insert, Cam	 D5	Stainless steel electropolished

How to order:

Type of lock
 Type of insert [X]
 Material / finish



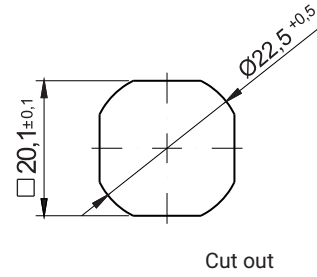
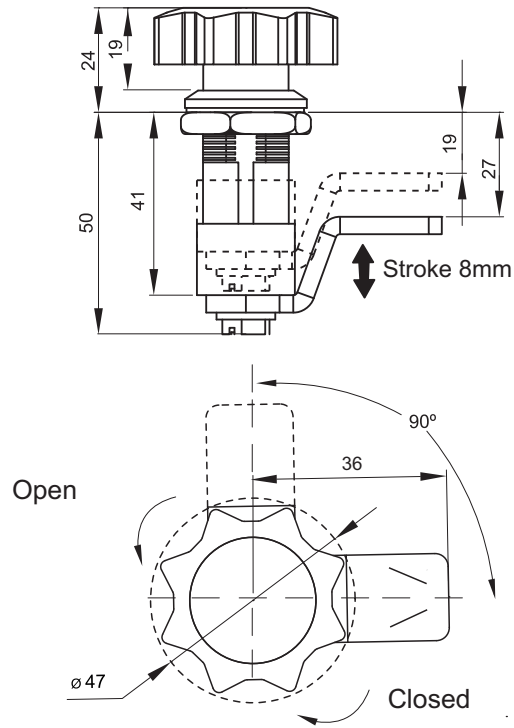
* possibility to make in another dimension



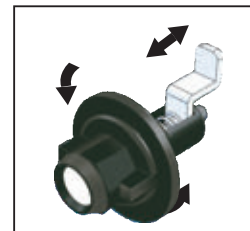
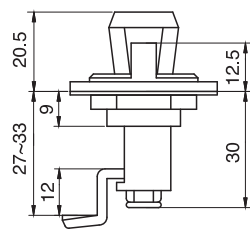
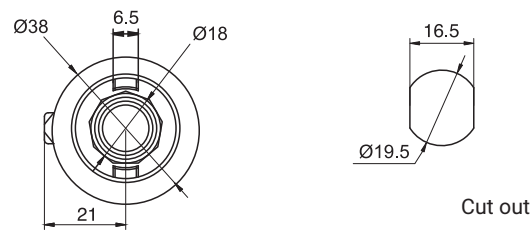
Mounting hole

TYPE OF LOCK	COMPONENTS	MATERIAL
M28-2	Housing, Insert, Cam	Stainless steel electropolished

LH/RH



TYPE OF LOCK	COMPONENTS	MATERIAL	FINISH [C]
			Chrome
2.528.001	Housing, insert	ZAMAK 5	01
	Cam	Steel zinc plated	-

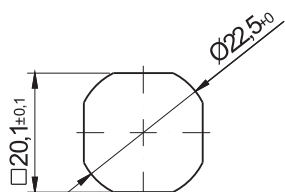
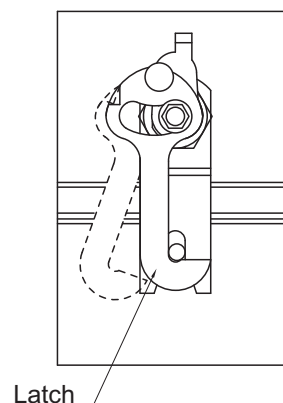
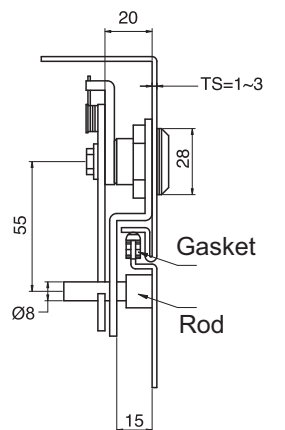


TYPE OF LOCK	COMPONENTS	MATERIAL	FINISH [C]
			RAL 9005
2.528.002	Housing, knob	Polyamide	07
	Cam	Steel zinc plated	-

How to order:

Type of lock
Finish

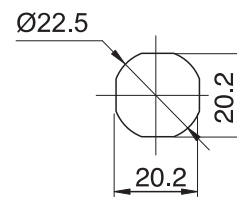
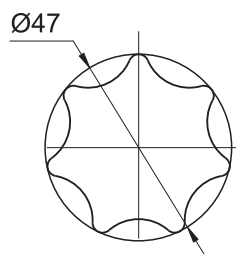
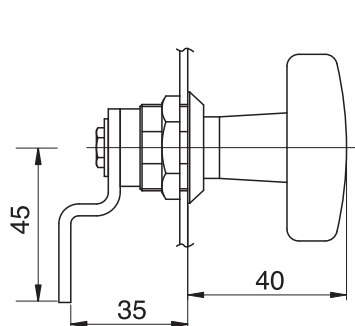
2.528.001 — C



Cut out

TYPE OF LOCK	COMPONENTS	MATERIAL	FINISH [C]
			Chrome
2.525.001	Housing, Insert	ZAMAK5	01
	Latch	Steel zinc plated	-

IP54



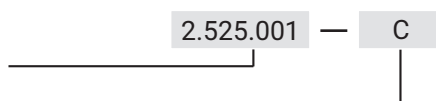
Cut out

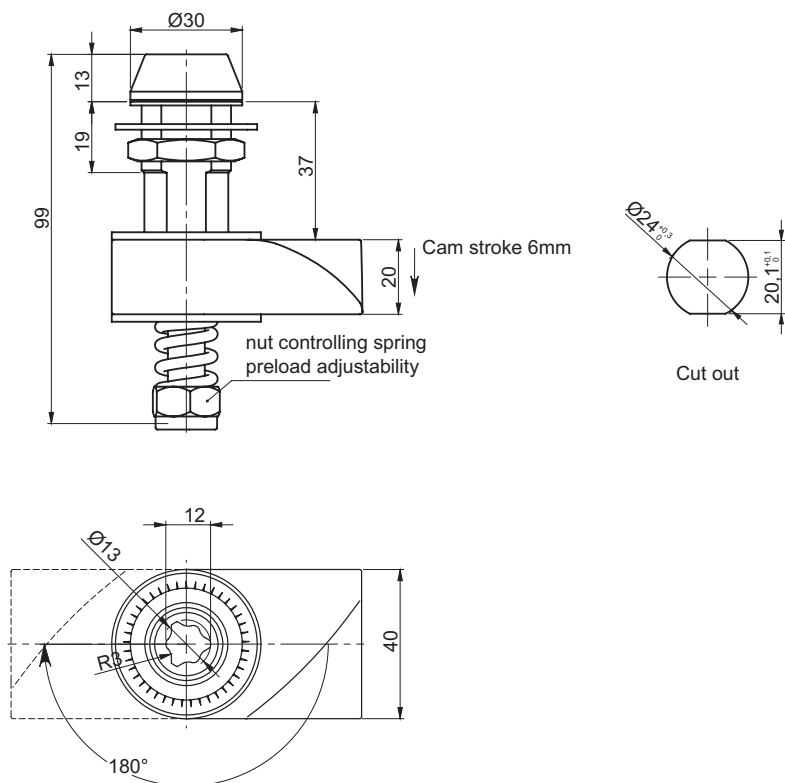
Turn angle 90°

TYPE OF LOCK	COMPONENTS	MATERIAL	FINISH [C]
			RAL 9005
2.527.001	Housing	ZAMAK 5	04
	Insert	Polyamide	04
	Cam	Steel zinc plated	-

How to order:

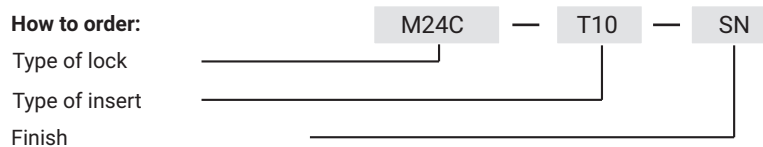
Type of lock
Finish





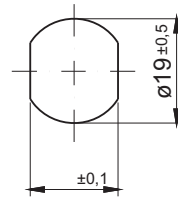
INSERTS	
T10	BT

TYPE OF LOCK	COMPONENTS	MATERIAL
M24C	Housing, Insert	Stainless steel
	Cam	Polyamide
	Nut	Brass

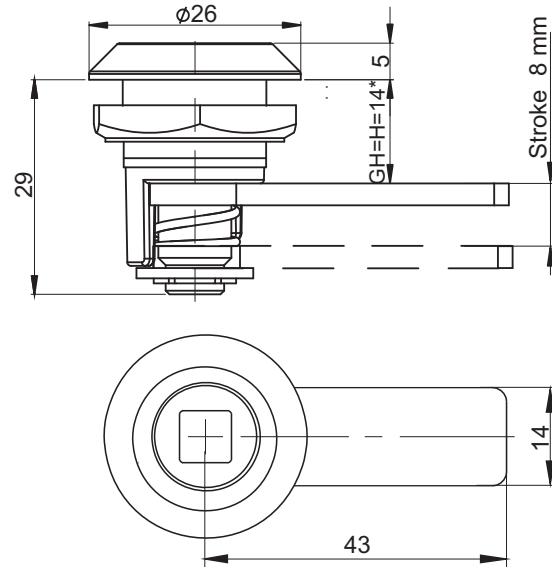


Lock is equipped with spring preload adjustability

RoHS

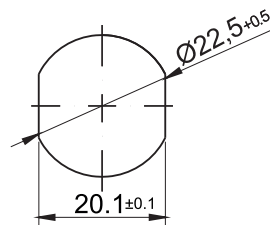


Cut Out

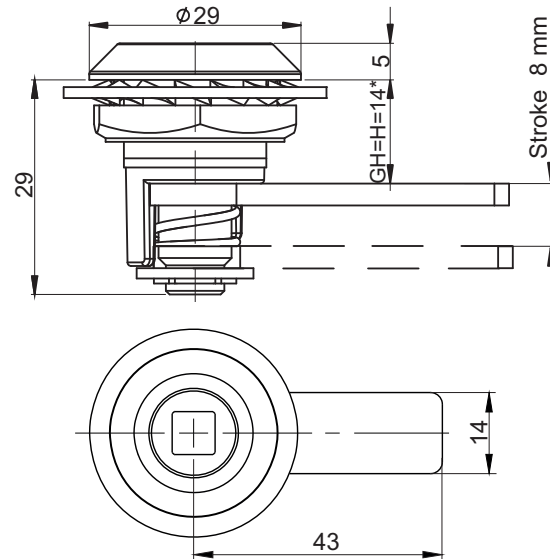


INSERT			FINISH [C]			
			Chrome	Nickel	RAL 9005	RAL 7035
T9	KW 8	S	01	02	04	05
TYPE OF LOCK		COMPONENTS		MATERIAL		
M19DC		Housing		ZAMAK5		
		Cam, insert		Steel zinc plated		

RoHS



Cut Out



INSERT			FINISH [C]			
			Chrome	Nickel	RAL 9005	RAL 7035
T9	KW 8	S	01	02	04	05
TYPE OF LOCK		COMPONENTS		MATERIAL		
M22DC		Housing		ZAMAK5		
		Cam, insert		Steel zinc plated		

How to order :

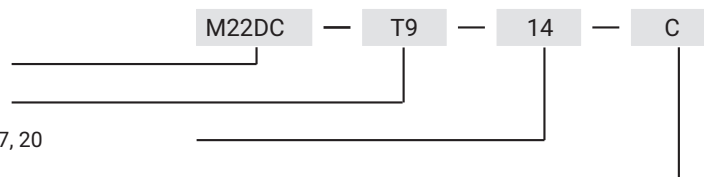
Type of lock

Type of insert

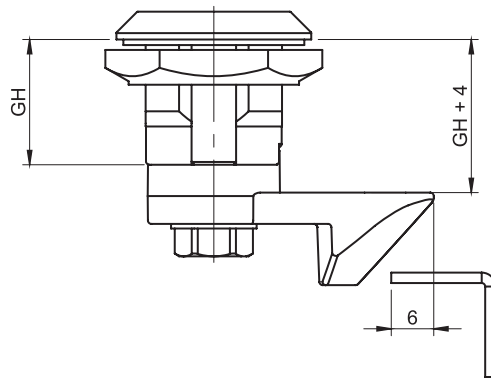
Height cam H = 14, 17, 20

Finish

* possibility to make in another dimension

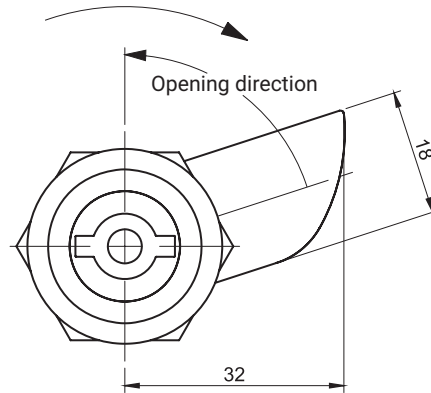


LH

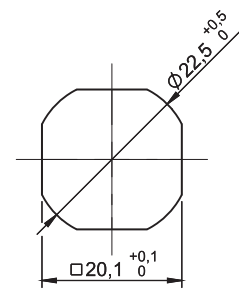


Lock with cam on left version

Automatic return of the lock to the closed position



Lock in the left version, the right version is a mirror reflection



Cut out

RH



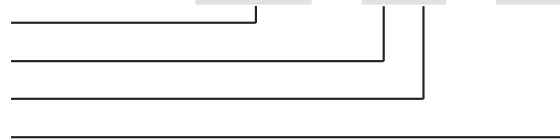
Locks with cam on right version

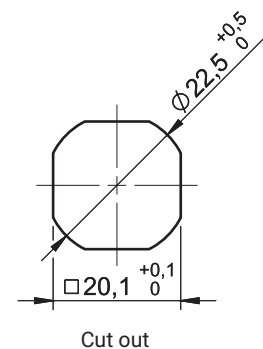
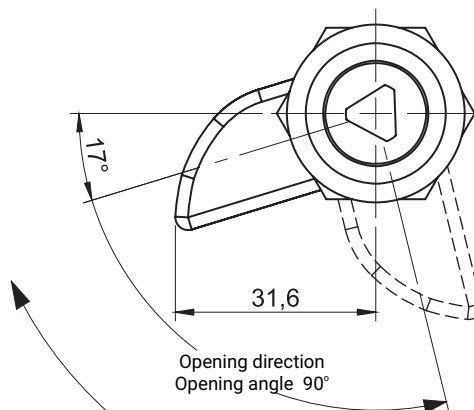
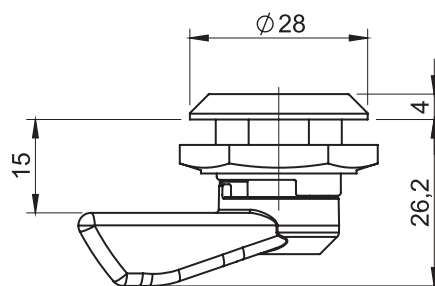
CATALOGUE NUMBER		VERSION	MATERIAL						
JZ-3522L		Left	ZAMAK						
JZ-3522P		Right							
COMPATIBLE LOCKS M22									
TYPE OF LOCK	GH	MATERIAL	INSERTS		FINISH [C]				
M22-3	18	ZAMAK				Chrome	Nickel	RAL9005	RAL7035
M22-30	30		KW8	D5	T9	01	02	04	05
M22-60	60								

How to order :

- Type of lock
- Type of insert
- Finish[C]
- Cam catalogue number

M22-3 — D5.01 — JZ-3522L





The lock automatically returns to the closed position

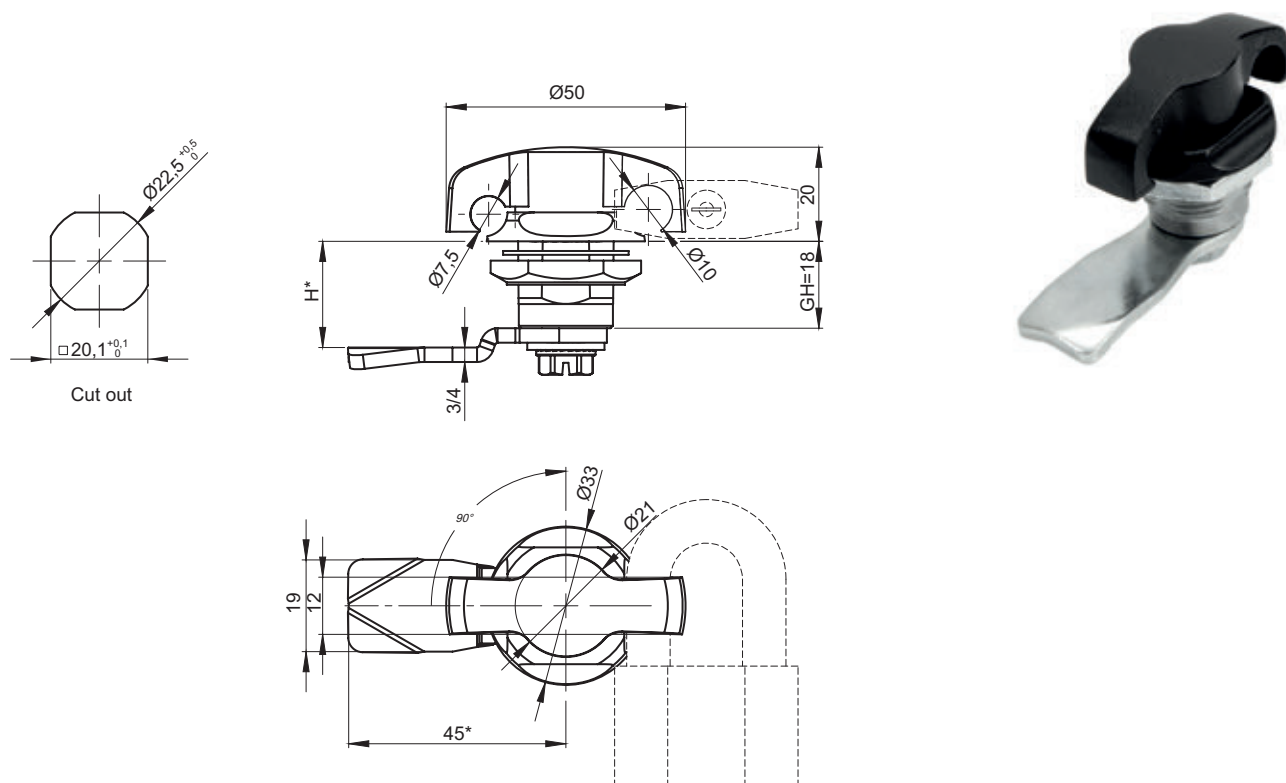
TYPE OF LOCK	INSERT	COMPONENTS	MATERIAL	FINISH [C]
				Chrome
M22-6	 T8	Housing, Insert, Latching cam	ZAMAK	01

How to order:

Type of lock
Type of insert
Finish [C]

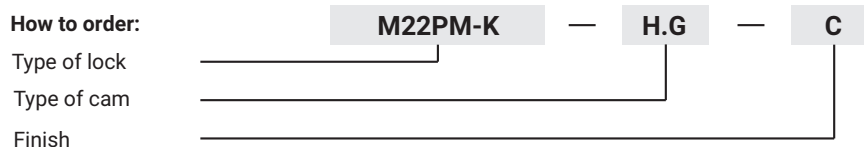


Lock with padlockable mechanism



CATALOGUE NUMBER	COMPONENTS	MATERIAL	FINISH [C]
M22PM-K	Housing, Insert	ZAMAK	RAL 9005
	Cam	Steel	-
M22PM-K.SN	Housing, Insert, Cam	Stainless steel	-

How to order:



Notes:

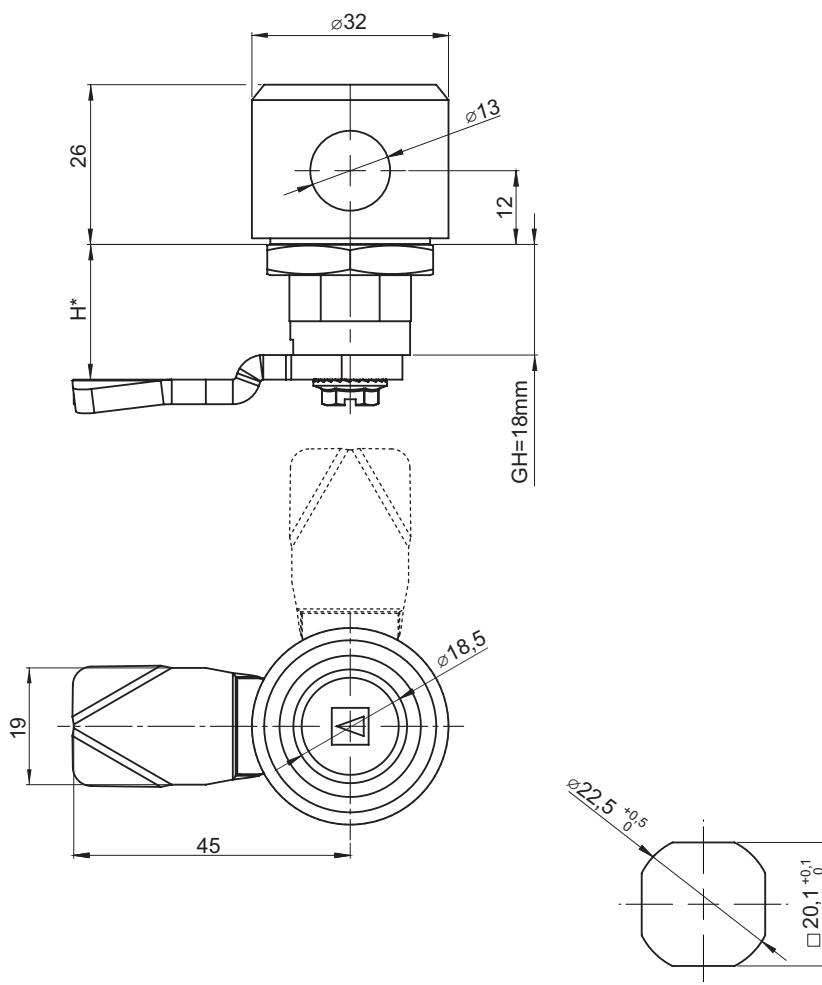
Lock M22PM-K is compatible with cams without limiter from groups: 15, 16, 18, 35, 36, JK-10018, J-6000.01, J-6000.02

H.G - the cam unbending dimension (H-locking height, G-group)

State the cam thickness at order.

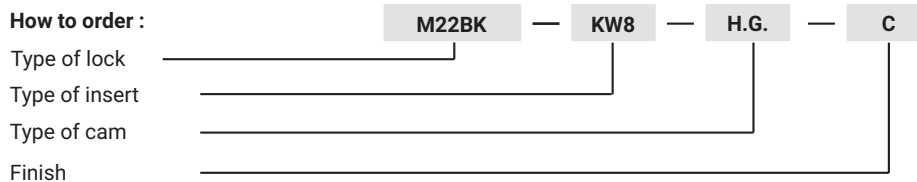
Padlock is not included.

* different dimensions available



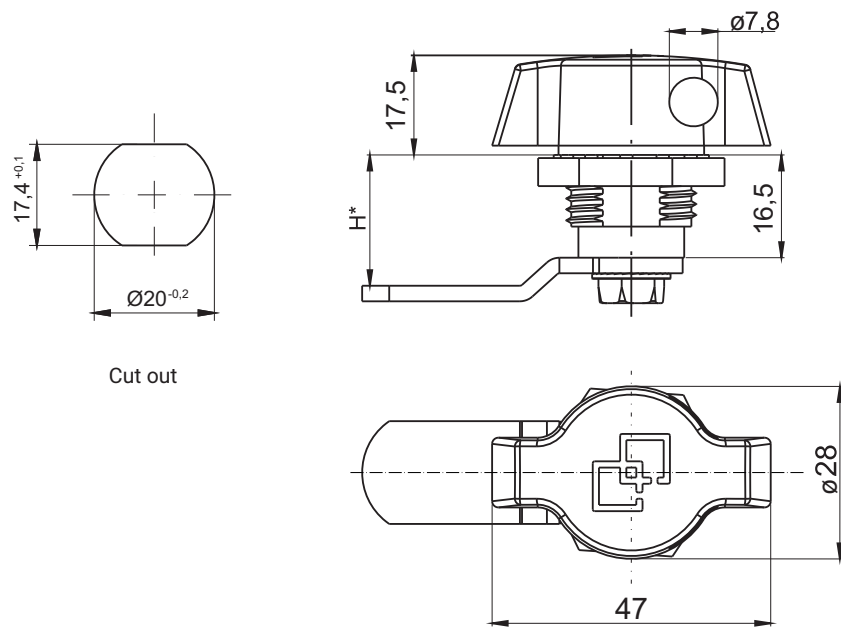
Cut out

INSERTS			
D5	KW 6	T8	
TYPE OF LOCK	COMPONENTS	MATERIAL	FINISH [C]
			RAL 9005
M22BK	Housing, Insert	ZAMAK	04
	Cam	Zinc plated steel	-



The lock is fitted with cams without the limiter from the group: 15, 19, 35 (pg. 1C-12, 1C-14, 1C-19), H.G - the cam unbending dimension (H-locking height, G-group)

Lock with padlockable mechanism



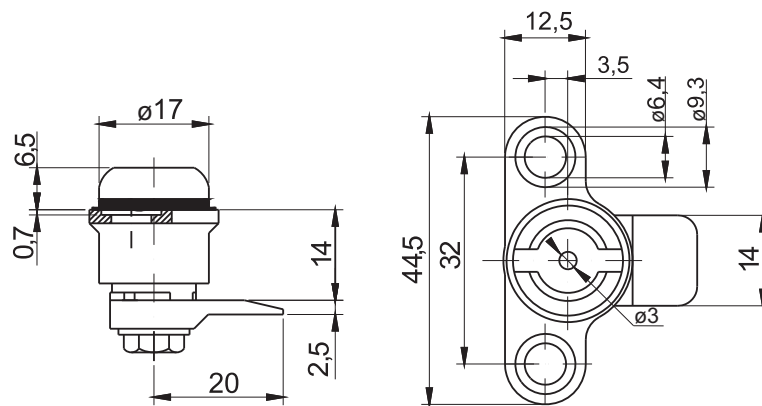
TYPE OF LOCK	COMPONENTS	MATERIAL	FINISH [C]
			Chrome
2.506.001	Housing, Knob	ZAMAK5	01
	Cam	Steel zinc plated	-

How to order:

Type of lock
Type of cam
Finish



H.G - the cam unbending dimension (H-locking height, G-group) to be chosen from pages 1C-9 to 1C-22
The lock is fitted with cams from the group: 15, 16, 35, 36



TYPE OF LOCK	COMPONENTS	MATERIAL	FINISH [C]
			Nickel
2.M19.001	Housing, Cam	ZAMAK5	02

How to order:

Type of lock
Finish

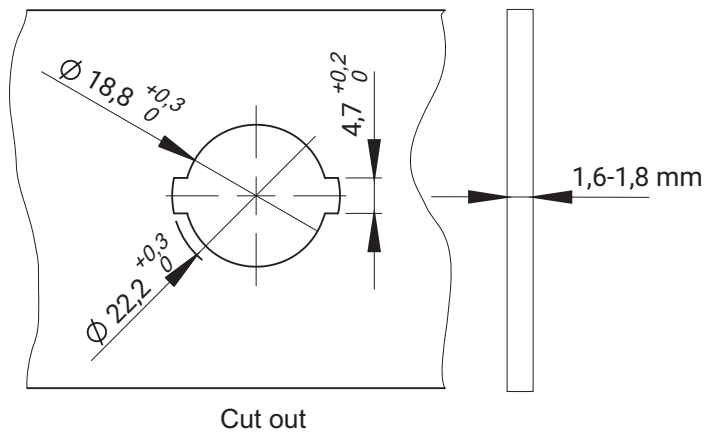
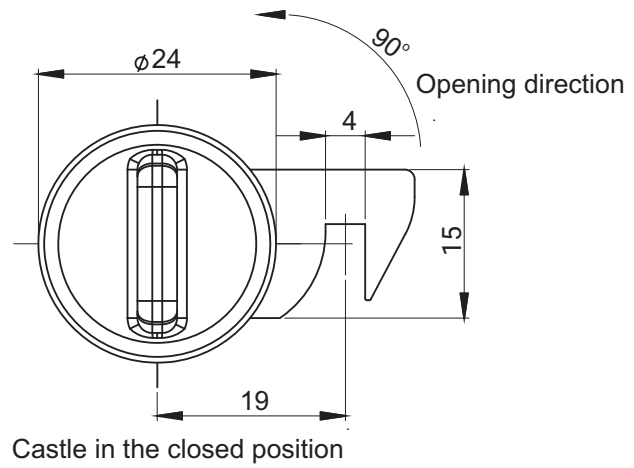
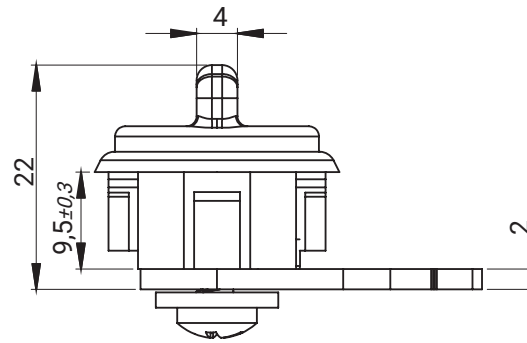




Left version
2.630.001



Right version
2.630.002



Note: The snap lock adapted to components made of plastic artificial.

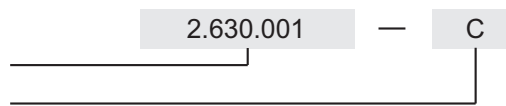
Lock automatically after opening back to the closed position.

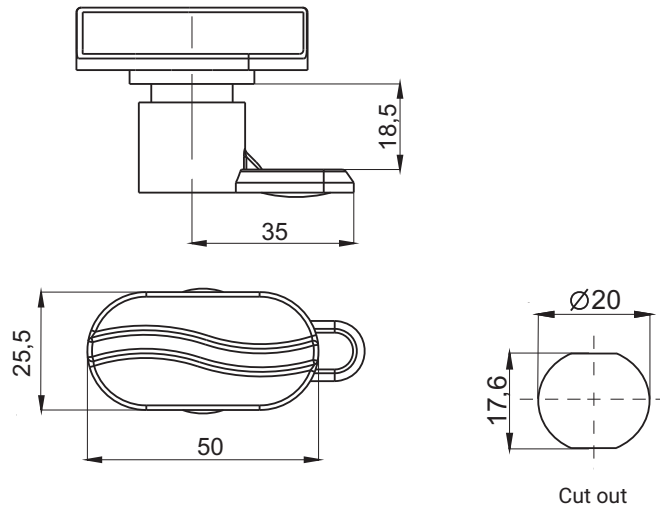
TYPE OF LOCK	COMPONENTS	MATERIAL	FINISH [C]	
			RAL 9005	RAL 7035
2.630.001	Housing, insert	Polyamide	07	08
2.630.002	Cam	Steel zinc plated	-	-

How to order:

Type of lock

Finish





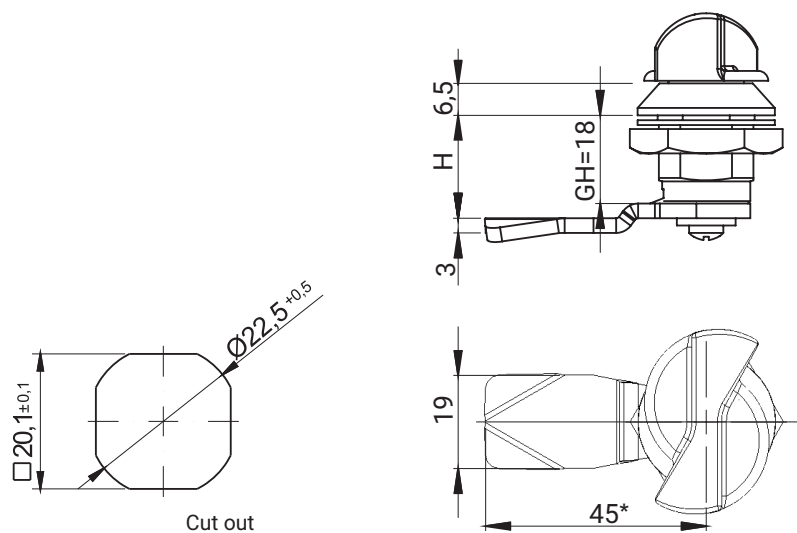
TYPE OF LOCK	COMPONENTS	MATERIAL	FINISH [C]	
			RAL 9005	
2.603.001	Housing, insert	Polyamide	07	

How to order :

Type of lock

Finish

2.603.001 — C



TYPE OF LOCK	COMPONENTS	MATERIAL	FINISH [C]	
			RAL 9005	RAL 7035
M22D-M	Housing, insert	Polyamide	07	08
	Cam	Steel zinc plated	-	-

How to order :

Type of lock

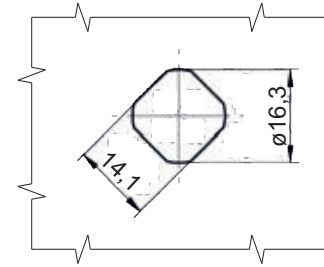
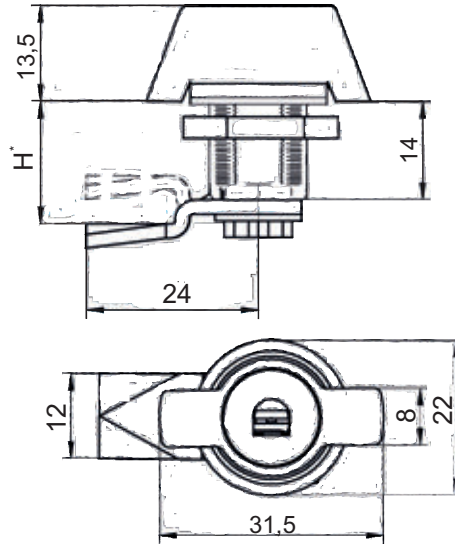
Type of cam (page 1C-9 - 1C-24)

Colour (RAL 9005, RAL 7035)

M22D-M — H.G — C

* possibility to order in another dimension

H.G - the cam unbending dimension (H-locking height, G-group)

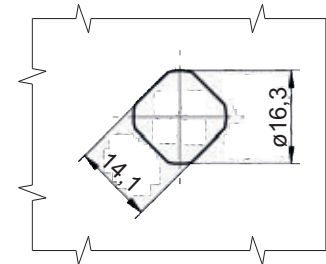
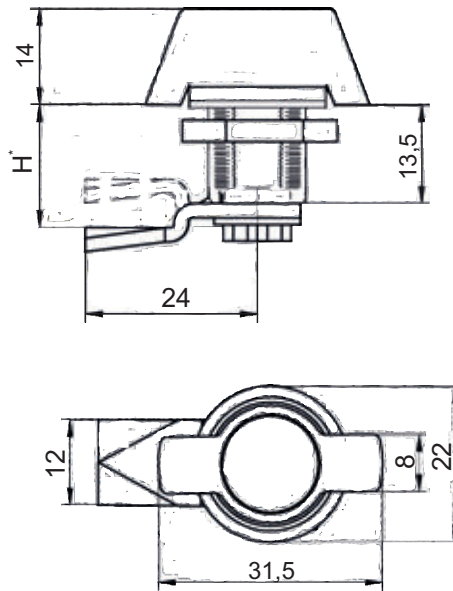


Cut out

Note: The lock is mounted with the key code 2233X

CATALOGUE NUMBER	COMPONENTS	MATERIAL	FINISH [C]	
			Chrome	RAL 9005
2.616.001-H	Housing	ZAMAK5	-	04
	Cam	Steel zinc plated	-	04
2.616.101-H	Housing	ZAMAK5	01	-
	Cam	Steel zinc plated	01	-

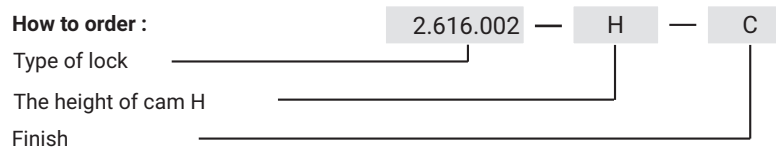
* possibility to order in another dimension

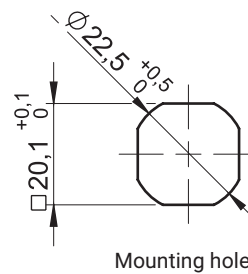
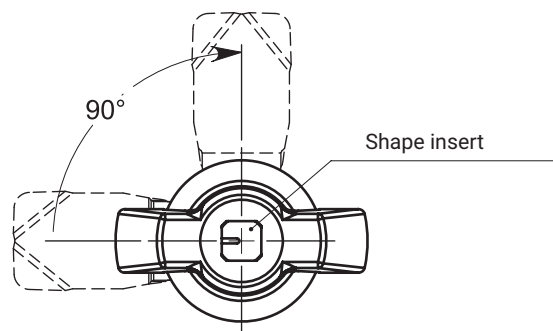
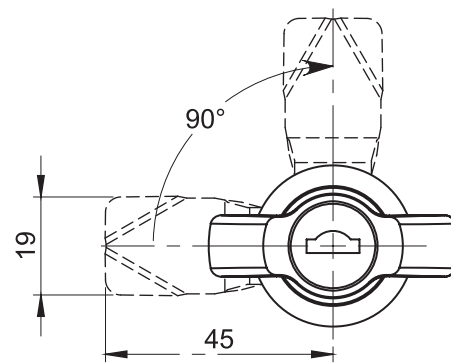
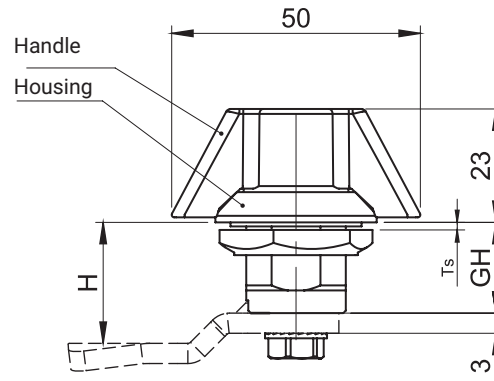


Cut out

CATALOGUE NUMBER	COMPONENTS	MATERIAL	FINISH [C]	
			Chrome	RAL 9005
2.616.002-H	Housing	ZAMAK5	-	04
	Cam	Steel zinc plated	-	04
2.616.102-H	Housing	ZAMAK5	01	-
	Cam	Steel zinc plated	01	-

* possibility to order in another dimension





LOCK WITH METAL BUTTERFLY HANDLE					
GH VALUE	CATALOGUE NUMBER			MATERIAL AND FINISH	
	Cylinder 1333	Cylinder - RK	Without cylinder	Handle	Housing
GH=18 Tsmax-8	2.PM18.002	2.PM18.004	2.PM18.006	ZAMAK	
	2.PM18.001	2.PM18.003	2.PM18.005	RAL9005	
GH=30 Tsmax-18	2.PM30.002	2.PM30.004	2.PM30.006	Chrom	
	2.PM30.001	2.PM30.003	2.PM30.005	RAL9005	
GH=40 Tsmax-28	2.PM40.002	2.PM40.004	2.PM40.006	Chrom	
	2.PM40.001	2.PM40.003	2.PM40.005	RAL9005	
GH=60 Tsmax-48	2.PM60.002	2.PM60.004	2.PM60.006	Chrom	
	2.PM60.001	2.PM60.003	2.PM60.005	RAL9005	

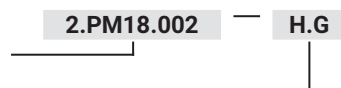
LOCK WITH POLYAMIDE BUTTERFLY HANDLE					
GH VALUE	CATALOGUE NUMBER			FINISH [C]	
	Cylinder 1333	Cylinder - RK	Without cylinder	Handle	Housing
GH=18 Tsmax-8	2.PMPA18.002	2.PMPA18.004	2.PMPA18.006	Poliamid*	ZAMAK
	2.PMPA18.001	2.PMPA18.003	2.PMPA18.005	RAL9005	RAL9005
GH=30 Tsmax-18	2.PMPA30.002	2.PMPA30.004	2.PMPA30.006		Chrome
	2.PMPA30.001	2.PMPA30.003	2.PMPA30.005		RAL9005
GH=40 Tsmax-28	2.PMPA40.002	2.PMPA40.004	2.PMPA40.006		Chrome
	2.PMPA40.001	2.PMPA40.003	2.PMPA40.005		RAL9005
GH=60 Tsmax-48	2.PMPA60.002	2.PMPA60.004	2.PMPA60.006		Chrome
	2.PMPA60.001	2.PMPA60.003	2.PMPA60.005		RAL9005

METAL LOCK WITH BUTTERFLY HANDLE WITH SHAPED INSERT					
GH VALUE	CATALOGUE NUMBER		MATERIAL AND FINISH		
	Shape insert KW8	Shape insert T8	Handle	Housing	Insert
GH=18 Tsmax-8	2.PM18-KW8	2.PM18-T8	ZAMAK		Steel
			RAL9005		

How to order:

Catalogue number

Type of cam



where:

H.G:**H** - height locking**G** - cams range

Ts - Thickness door

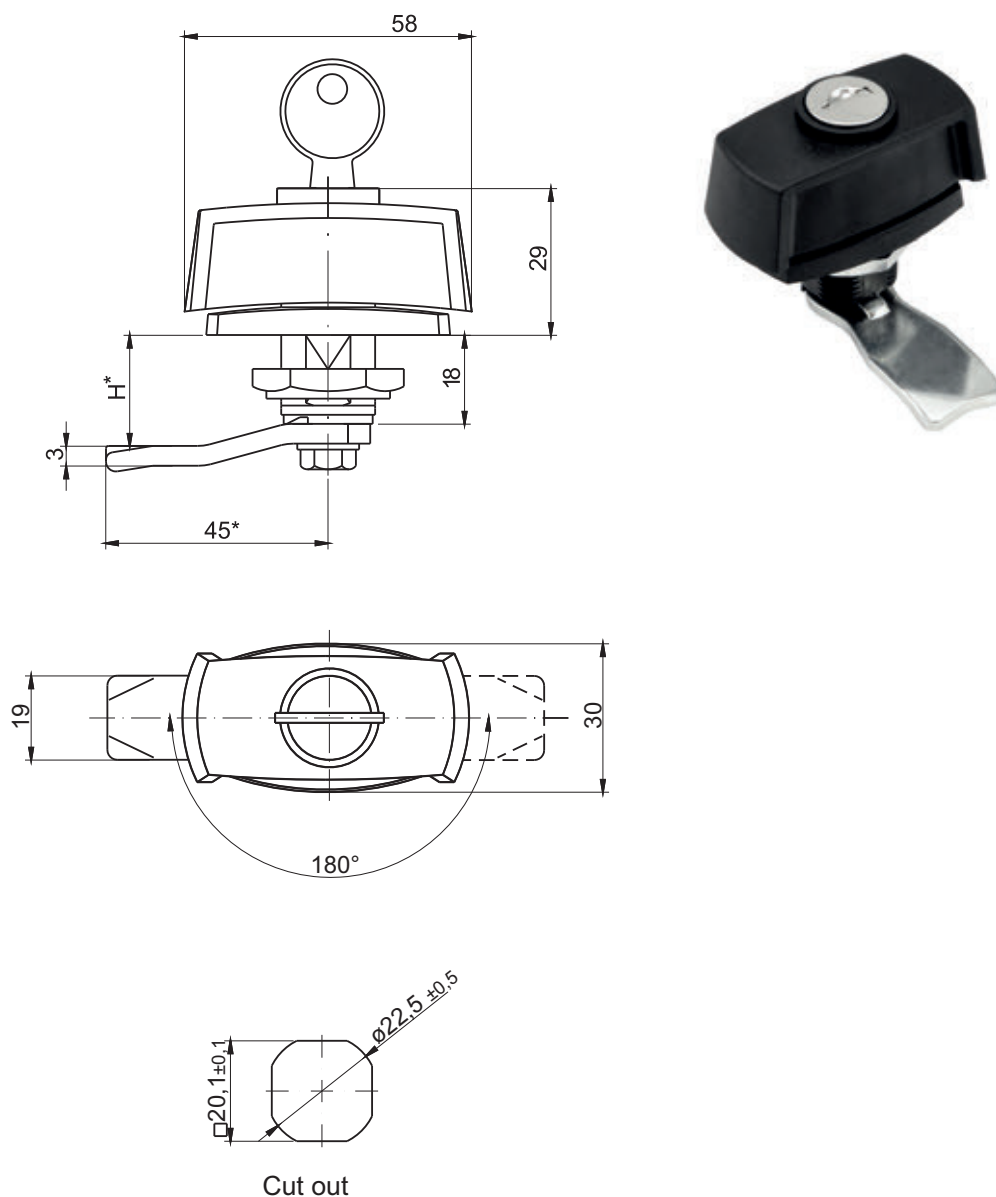
Lock is compatible with all cams from range:: 11, 12, 13, 14, 18, 31, 32, 34, 38, JK-1610.01

Each lock with a cylinder is supplied with two keys.

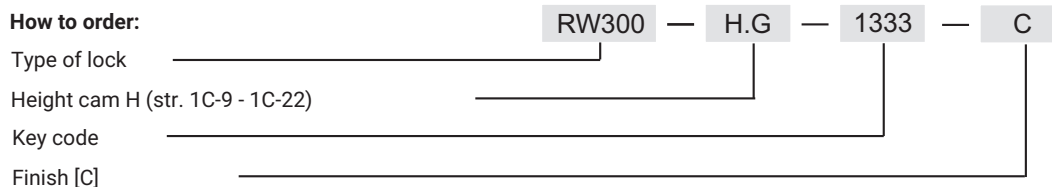
* The 2.PMPA lock handle is a two-component, injection-moulded plastic on an internal element made of metal (ZAMAK).

Lock with a butterfly handle and shaped insert. 2.PM18-KW8(T8) allows emergency opening by means of a handle.

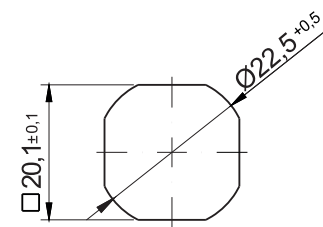
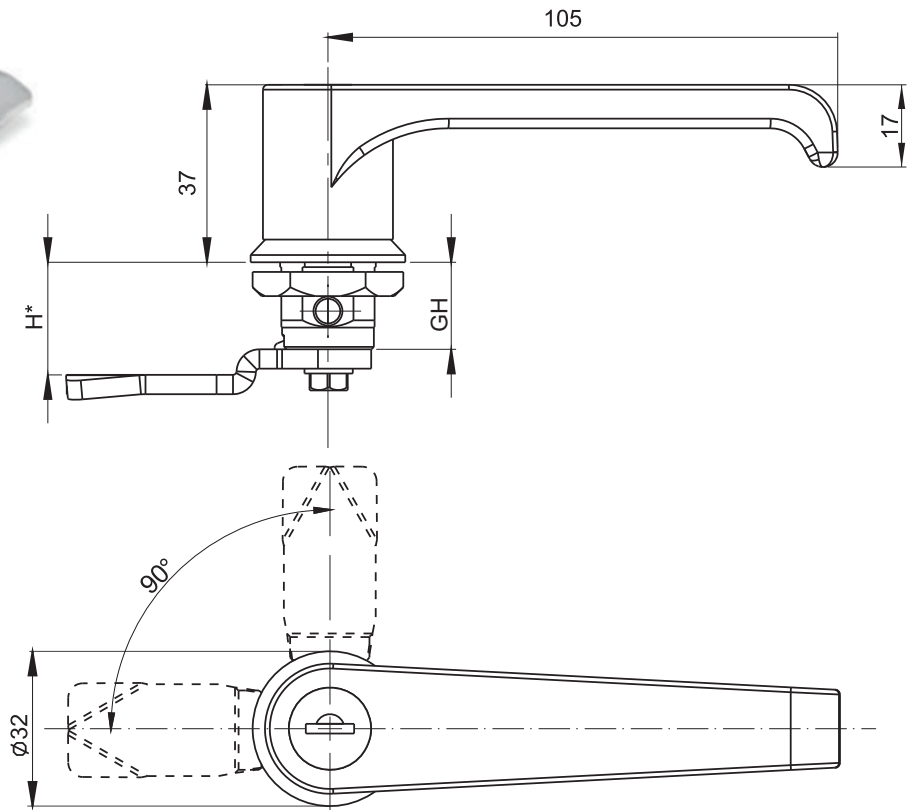
The KW8 or T8 key is used to open the standard butterfly lock, which can be operated as a standard.



TYPE OF LOCK	COMPONENTS	MATERIAL	FINISH [C]	
			RAL 9005	RAL 7035
RW300	Housing, knob	Polyamide	07	08
	Cam	Steel zinc plated	-	-



* possibility to order in another dimension
 H.G - the cam unbending dimension (H-locking height, G-group)
 The lock is fitted with cams from the group: 11, 12, 13, 14, 18, 31, 32, 33, 34, 38, JZ-002, JK-1610.01
 (page 1C-7 - 1C-20)



Cut out

NAME	COMPONENTS
Housing, knob	ZAMAK5**
Cam	Steel zinc plated**

NAME	CATALOGUE NUMBER			FINISH [C]
	Cylinder 1333	Cylinder - RK	Without cylinder	
L 18 (GH=18)	2.L18.002	2.L18.004	2.L18.006	RAL 9005
	2.L18.001	2.L18.003	2.L18.005	Chrome
L 30 (GH=30)	2.L30.002	2.L30.004	2.L30.006	RAL 9005
	2.L30.001	2.L30.003	2.L30.005	Chrome
L 40 (GH=40)	2.L40.002	2.L40.004	2.L40.006	RAL 9005
	2.L40.001	2.L40.003	2.L40.005	Chrome
L 60 (GH=60)	2.L60.002	2.L60.004	2.L60.006	RAL 9005
	2.L60.001	2.L60.003	2.L60.005	Chrome

How to order :

Catalogue number

Height cam H (1C-9 - 1C-22)

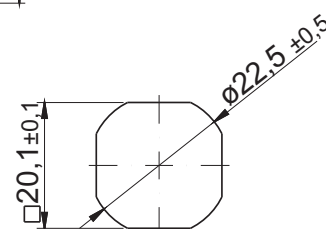
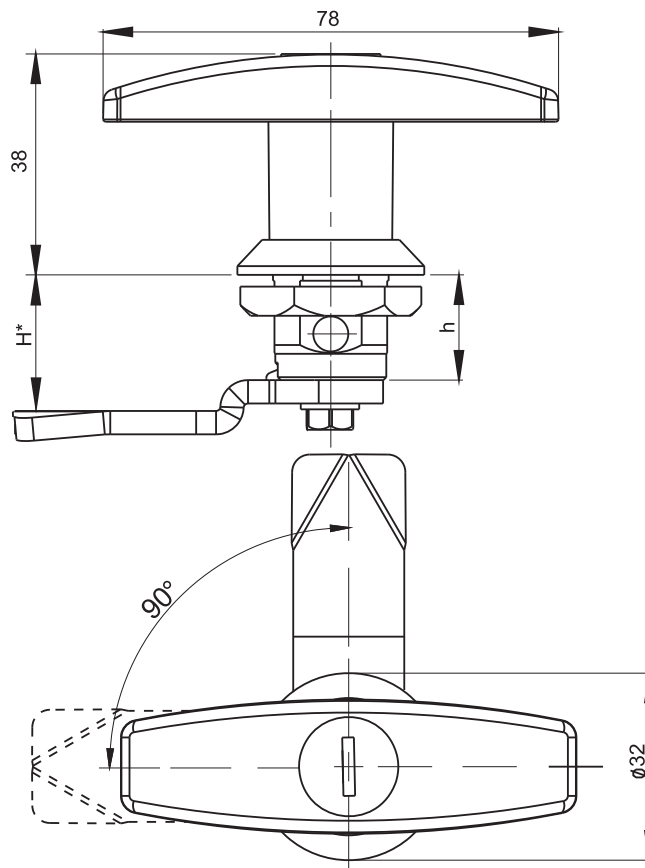
2.L30.003

H.G

* possibility to order in another dimension

** possibility to use stainless steel 1.4404

The lock is fitted with cams from the group: 11, 12, 13, 14, 18, 31, 32, 33, 34, 38, JZ-002, JK-1610.01 (page 1C-9 - 1C-22)



Cut out

NAME	COMPONENTS
Housing, handle	ZAMAK5**
Cam	Steel zinc plated**

NAME	CATALOGUE NUMBER			FINISH [C]
	Cylinder 1333	Cylinder - RK	Without cylinder	
T 18 (GH=18)	2.T18.002	2.T18.004	2.T18.006	RAL 9005
	2.T18.001	2.T18.003	2.T18.005	Chrome
T 30 (GH=30)	2.T30.002	2.T30.004	2.T30.006	RAL 9005
	2.T30.001	2.T30.003	2.T30.005	Chrome
T 40 (GH=40)	2.T40.002	2.T40.004	2.T40.006	RAL 9005
	2.T40.001	2.T40.003	2.T40.005	Chrome
T 60 (GH=60)	2.T60.002	2.T60.004	2.T60.006	RAL 9005
	2.T60.001	2.T60.003	2.T60.005	Chrome

How to order :

Catalogue number

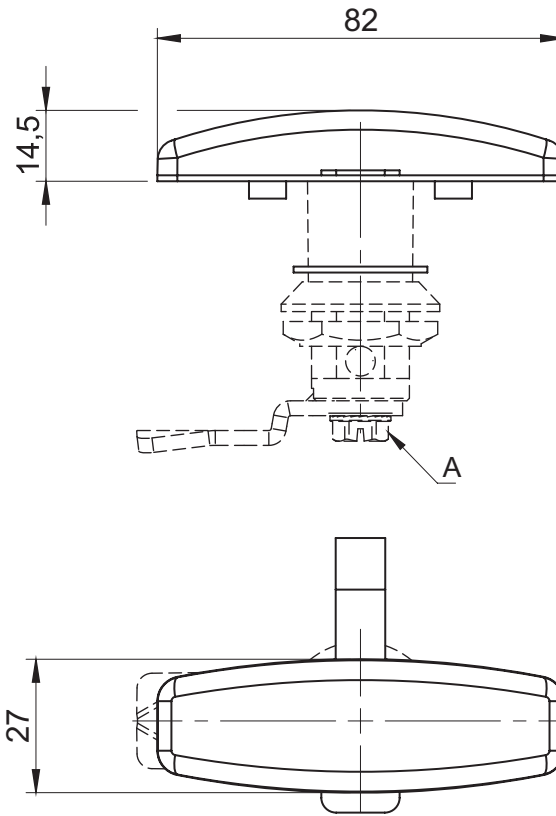
Height cam H (1C-9 - 1C-22)

2.T30.003 — H.G

* possibility to order in another dimension

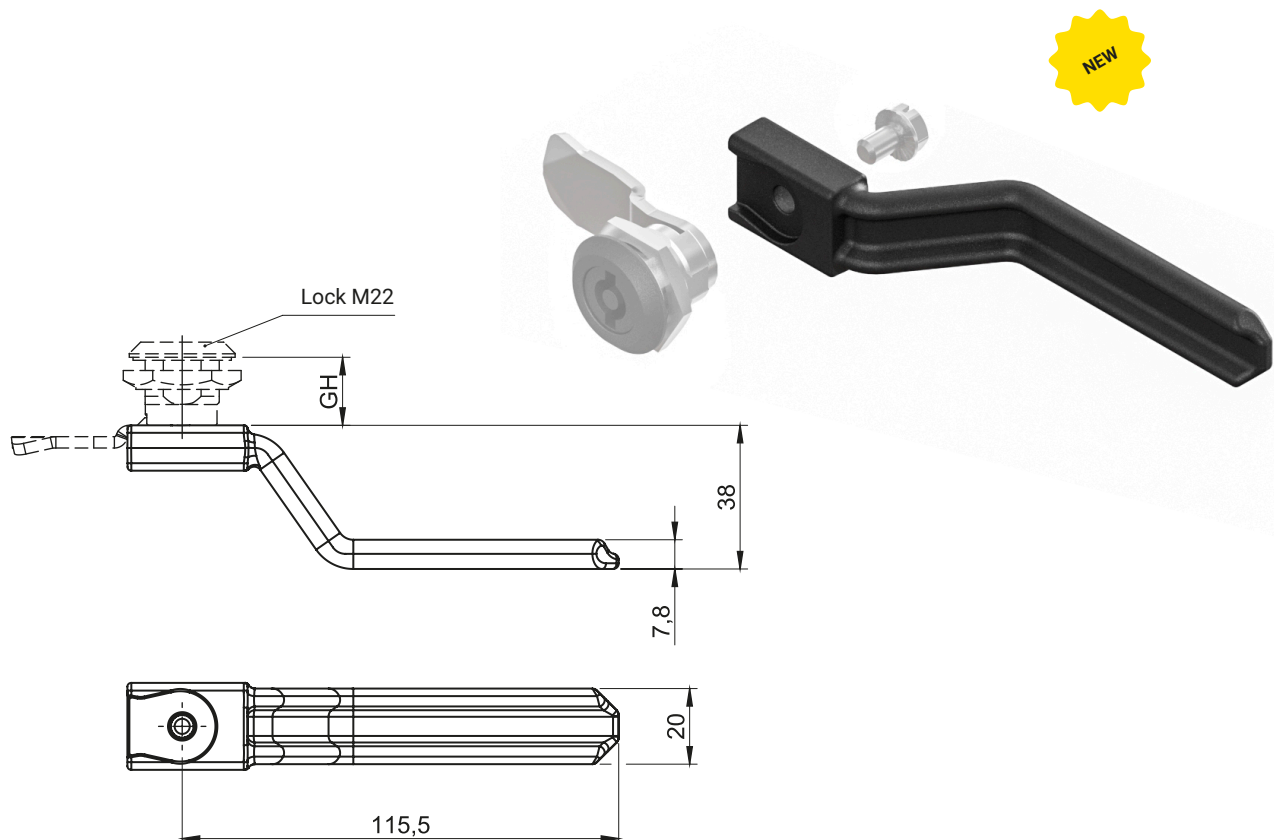
** possibility to use stainless steel 1.4404

The lock is fitted with cams from the group: 11, 12, 13, 14, 18, 31, 32, 33, 34, 38, JZ-002, JK-1610.01 (page 1C-9 - 1C-22)



In order to mount the dust cover on the T-handle lock, remove the knob from the lock body by unscrewing the screw (A), then pass the cover through the lock pivot. In order to disassemble repeat in reverse order.

CATALOGUE NO.	COMPATIBLE LOCKS	MATERIAL	FINISH [C]
			RAL 9005
2.904.010	2.T	Elastic Polymer	07
	1B.RW510		



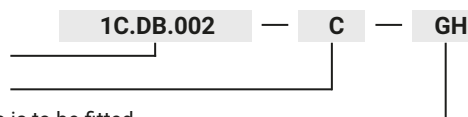
CATALOGUE NUMBER	COMPONENTS	FINISH [C]		LOCK GH VALUE
		RAL 9005	RAL 7035	
1C.DB.002	Internal handle (Polyamide PA6 GF30) Galvanized screw	07	08	18
				30
				40
				60

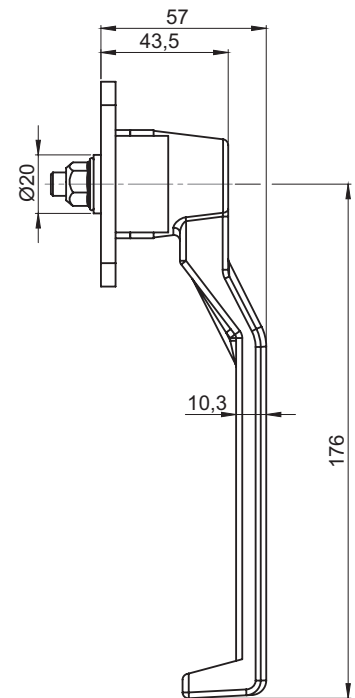
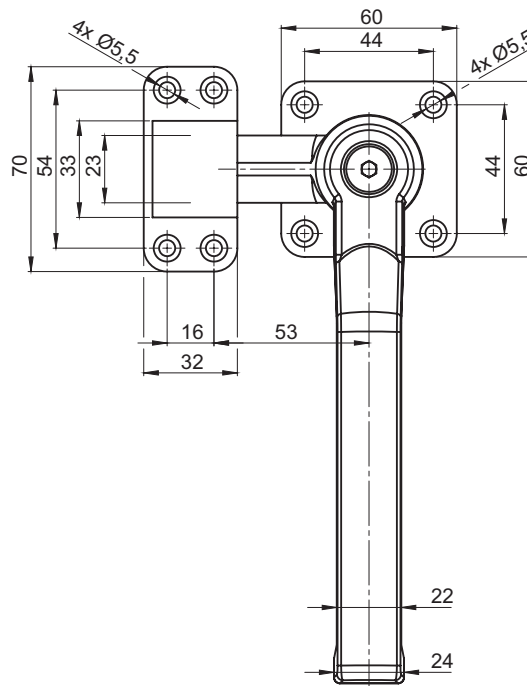
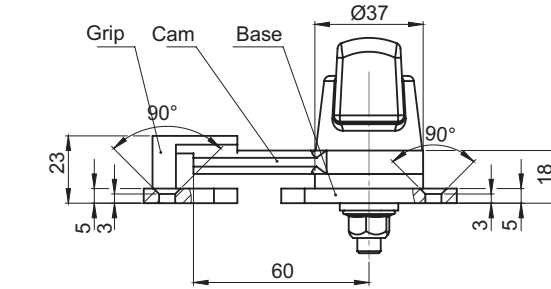
How to order:

Catalogue number

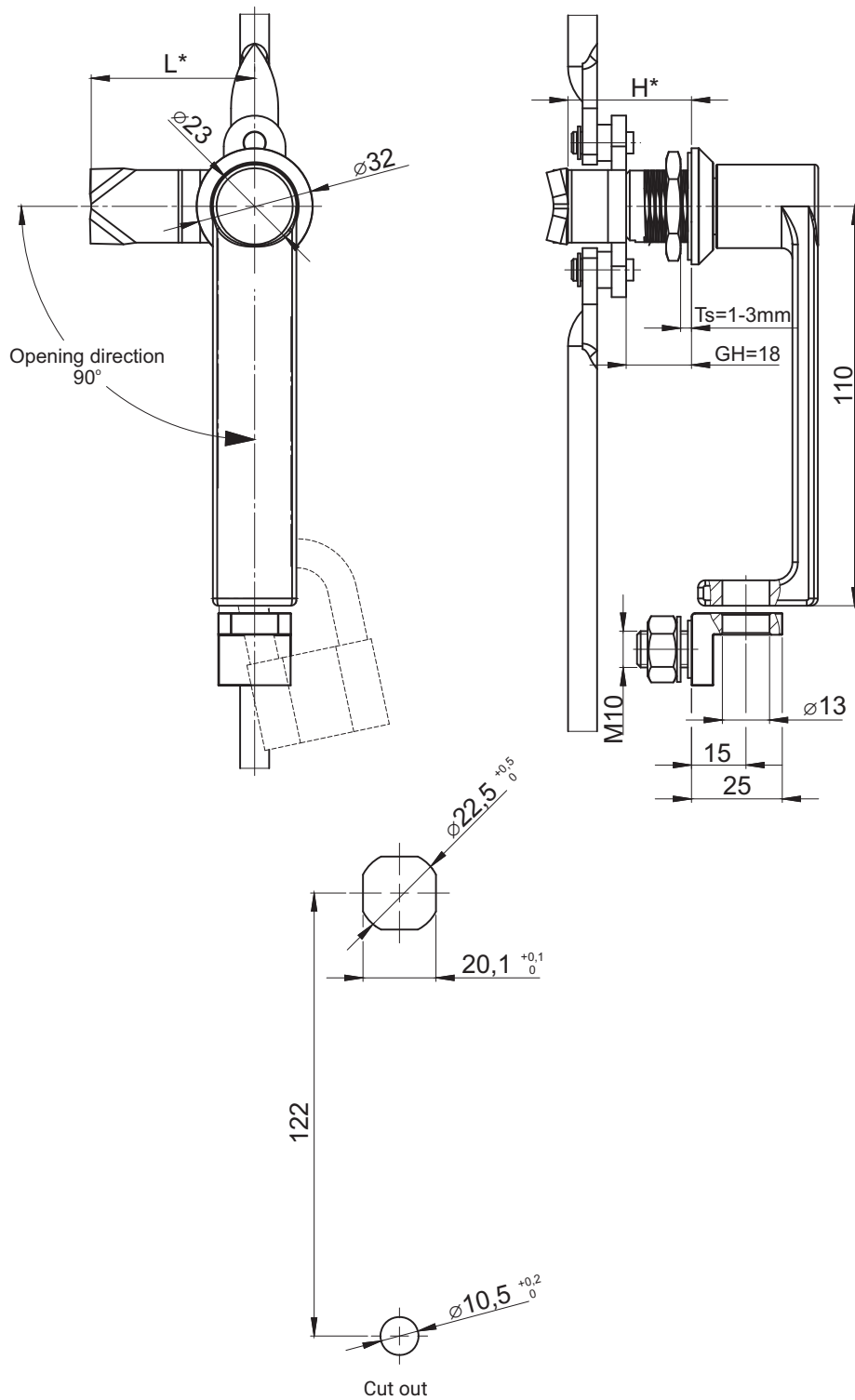
Finish

Height GH of the lock to which the handle is to be fitted





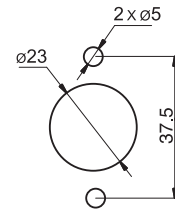
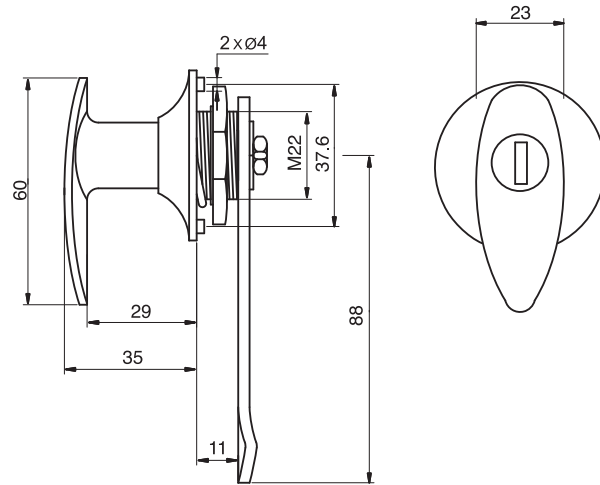
TYPE OF LOCK	COMPONENTS	MATERIAL	FINISH [C]
			RAL 9005
2.800.001	Handle	Aluminium	04
	Cam, Base, Grip	Steel zinc plated	-



The lock fitted to cams with fasteners form the group: 12, 32, (pg. 1C-10, 1C-17)
 Rods page 1C-4, 1C-5,
Ts - thickness of a metal sheet

CATALOGUE NO.	COMPONENTS	MATERIAL	FINISH [C]
			RAL 9005
2.540.001	Handle, Housing, Blockade	ZAMAK	04
	Cam	Zinc plated steel	-

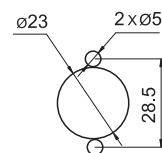
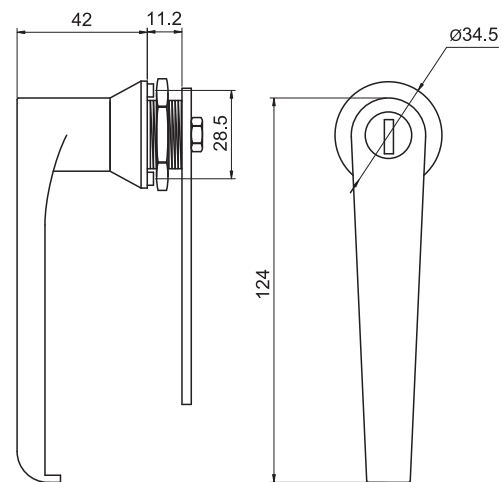
stainless steel



Cut out

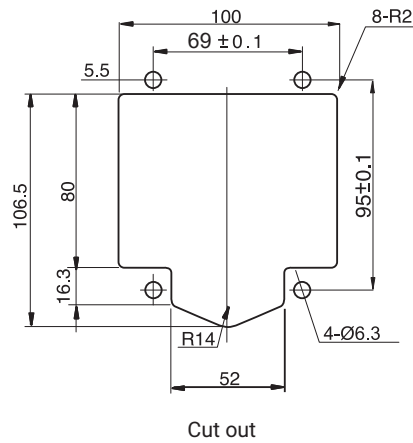
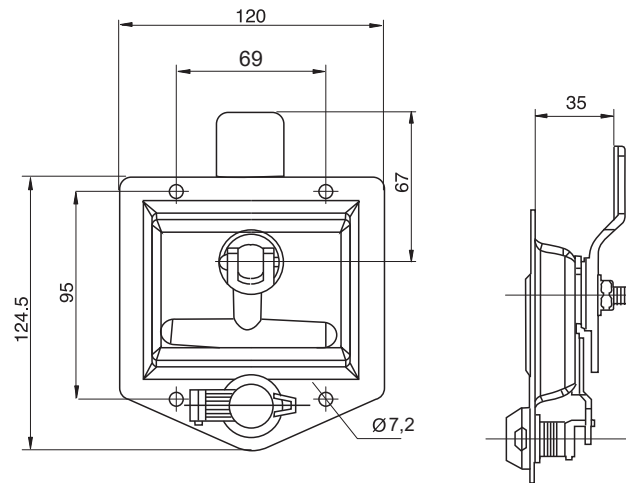
TYPE OF LOCK	KEY CODE	COMPONENTS	MATERIAL
2.531.001	101	Housing, cam	Stainless steel
2.531.101	-	Housing, cam	Stainless steel

stainless steel

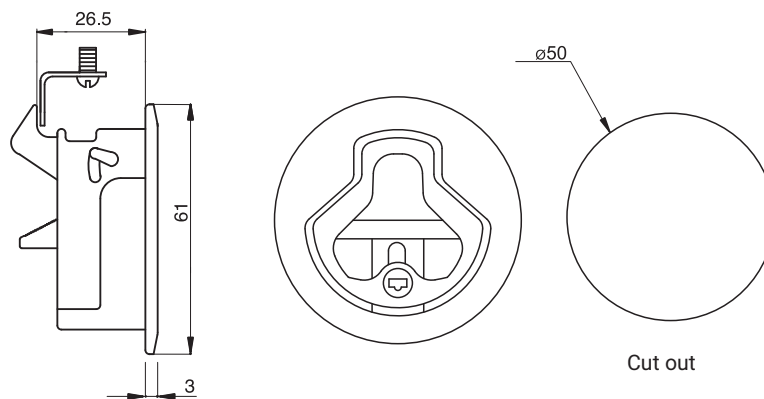


Cut out

TYPE OF LOCK	KEY CODE	COMPONENTS	MATERIAL
2.532.001	101	Housing, cam	Stainless steel
2.532.101	-	Housing, cam	Stainless steel

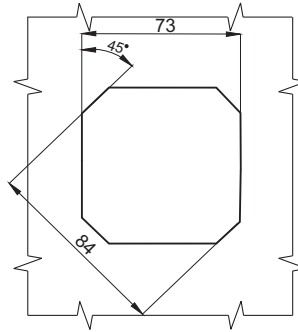
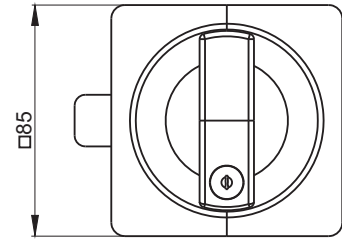
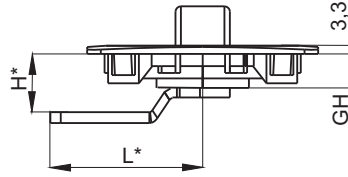


TYPE OF LOCK	COMPONENTS	MATERIAL
2.526.001	Housing	Stainless steel
	Blocade	ZAMAK5



Note:
Includes 1 pair of keys
Lock sold with cylinder

TYPE OF LOCK	COMPONENTS	MATERIAL
2.544.001	Housing	Stainless steel
	Handle	

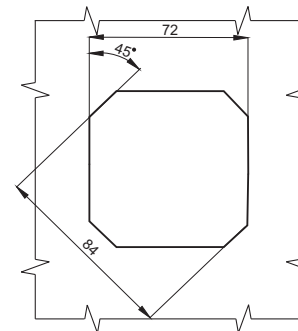
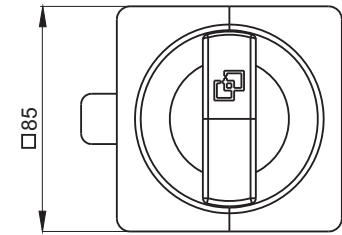
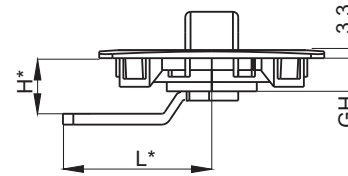


Cut out

H	Cam 1 pkt	Cam 2 pkt	Cam 3 pkt
	GH=12,5		
2	601	625	631
3,5	602		632
6,5	603		633
9,5	604		634
12,5	605		635
15,5	606		636
18,5	607		637
21,5	608		638

Tab. The cam codes to order

TYPE OF LOCK	COMPONENTS	MATERIAL	FINISH [C]	
			Chrome	RAL 9005
2.608.001	Housing	Polyamide	-	07
	Handle	ZAMAK	01	-
	Cam	Steel zinc plated	-	-



Cut out

H	CAM 1 PKT	CAM 2 PKT	CAM 3 PKT
	GH=12,5		
2	601	625	631
3,5	602		632
6,5	603		633
9,5	604		634
12,5	605		635
15,5	606		636
18,5	607		637
21,5	608		638

Tab. The cam codes to order

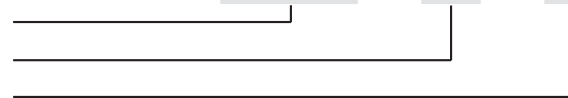
TYPE OF LOCK	COMPONENTS	MATERIAL	FINISH [C]	
			Chrome	RAL 9005
2.609.001	Housing	Polyamide	-	07
	Handle	ZAMAK	01	-
	Cam	Steel zinc plated	-	-

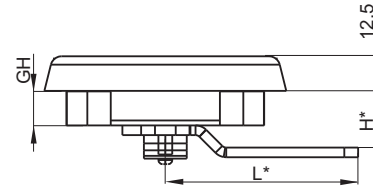
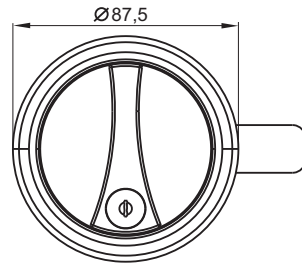
* possibility to order in another dimension

How to order :

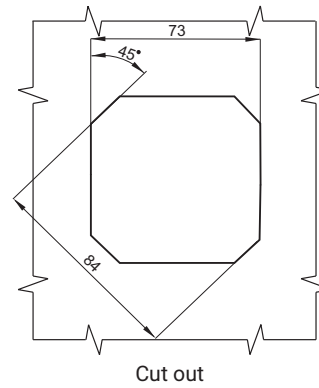
Type of lock
Type of cam
Finish

2.609.001 — 601 — C



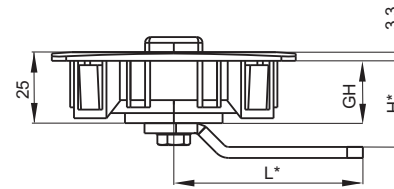
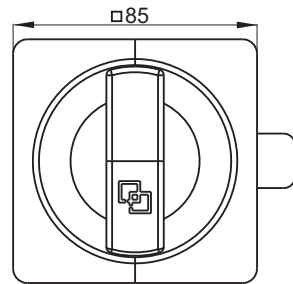


H	CAM 1 PKT	CAM 2 PKT	CAM 3 PKT
	GH=12,5		
2	601	625	631
3,5	602		632
6,5	603		633
9,5	604		634
12,5	605		635
15,5	606		636
18,5	607		637
21,5	608		638

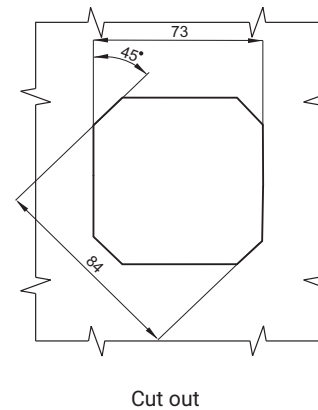


Tab.1 The cam codes to order

TYPE OF LOCK	COMPONENTS	MATERIAL	FINISH [C]	
			RAL 9005	RAL 7035
2.606.001	Housing	Polyamide	07	-
	Handle	ZAMAK5	-	05
	Cam	Steel zinc plated	-	-



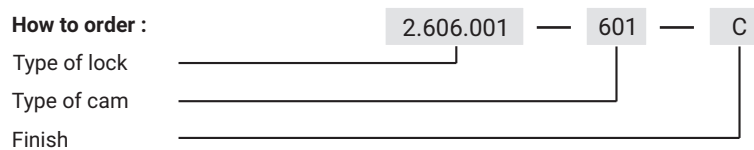
H	CAM 1 PKT	CAM 2 PKT	CAM 3 PKT
	GH=20,5		
11,2	601	625	631
12,7	602		632
15,7	603		633
18,7	604		634
21,7	605		635
24,7	606		636
27,7	607		637
30,7	608		638



Tab.1 The cam codes to order

TYPE OF LOCK	COMPONENTS	MATERIAL	FINISH [C]	
			Chrome	RAL 9005
2.607.001	Housing	Polyamide	-	07
	Handle	ZAMAK5	01	-
	Cam	Steel zinc plated	-	-

* possibility to order in another dimension

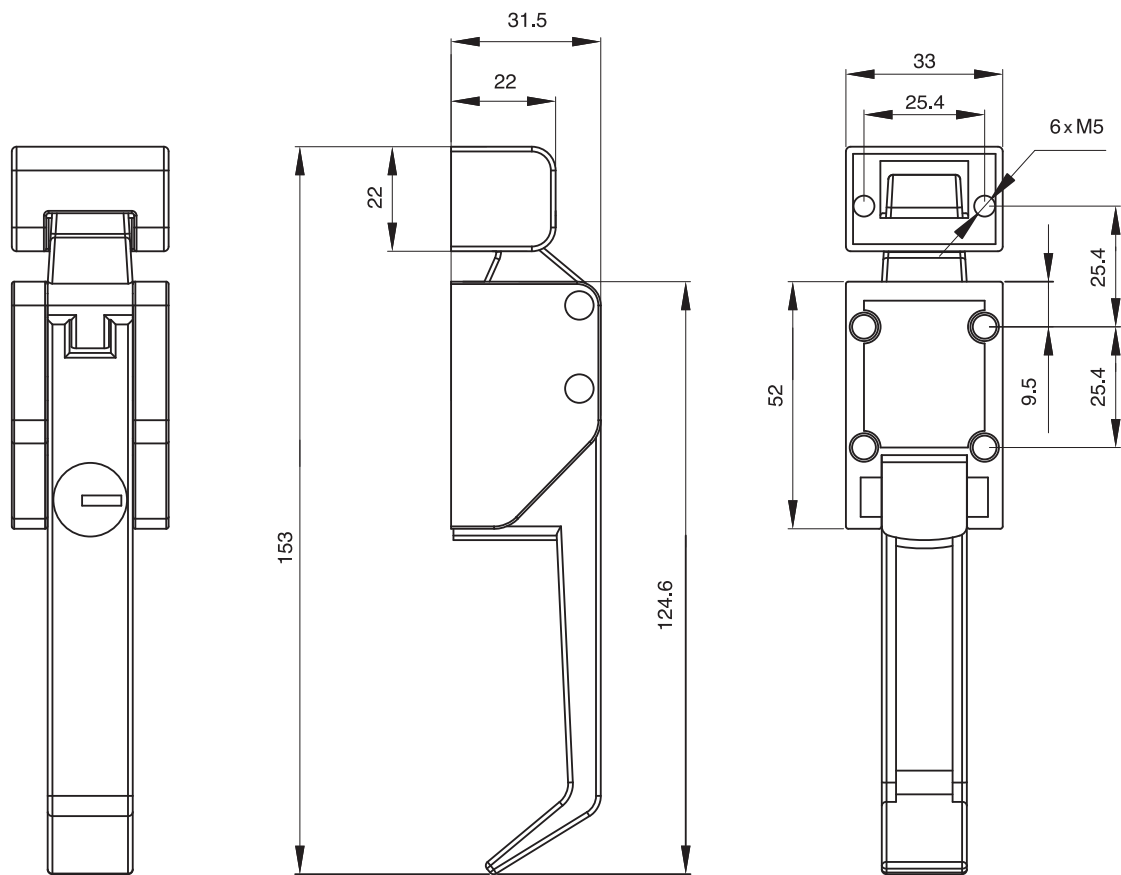




2.533.101

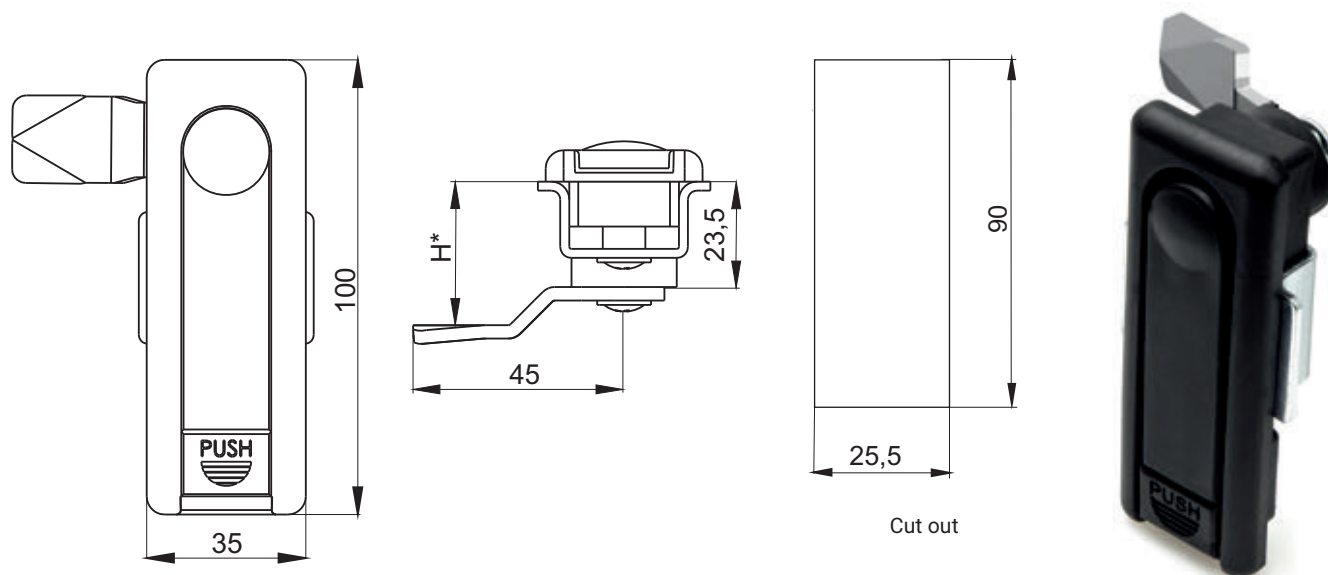


2.533.001



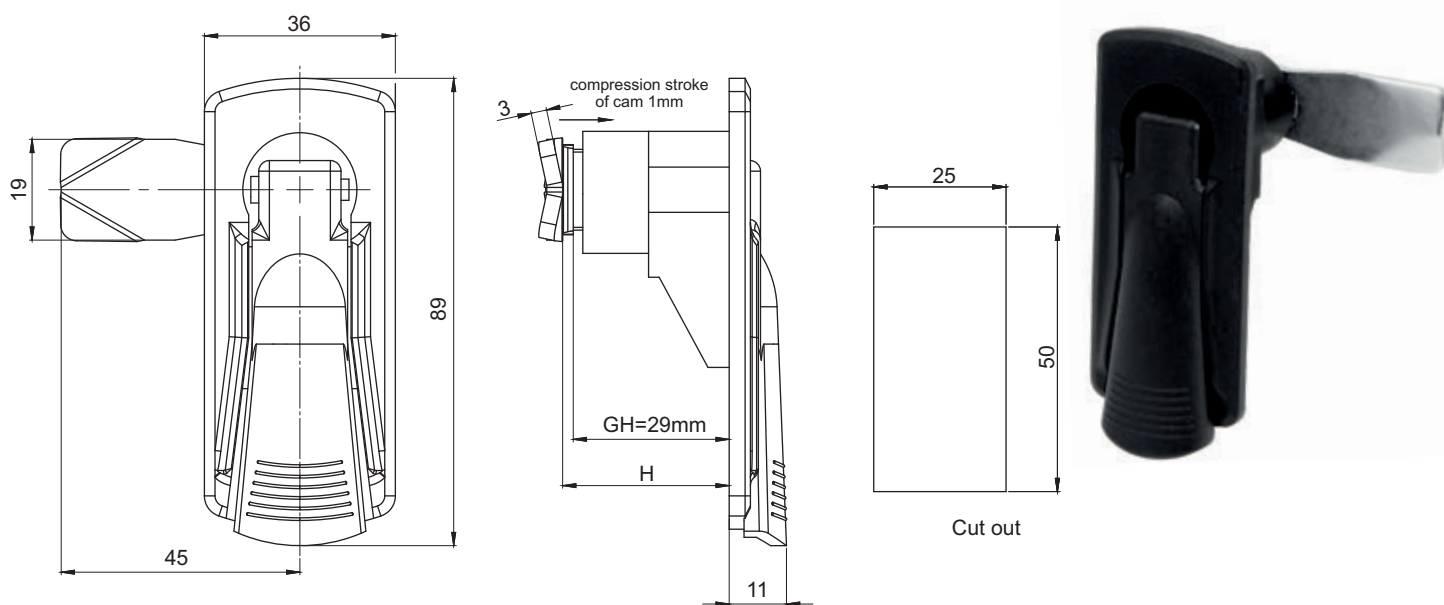
TYPE OF LOCK	COMPONENTS	MATERIAL	FINISH [C]
			RAL 9005
2.533.001	Housing	ZAMAK 5	04
2.533.101*			

* lock with patent insert



* By ordering specify the size H lock cam.

TYPE OF LOCK	COMPONENTS	MATERIAL	FINISH [C]
			RAL 9005
2.604.001	Housing, handle	Polyamide	07
	Cam	Stainless steel	-



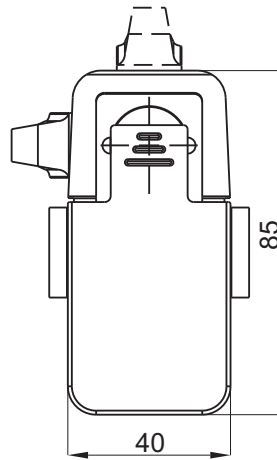
TYPE OF LOCK	COMPONENTS	MATERIAL	FINISH [C]
			RAL 9005
2.605.001	Handle, Housing	Polyamide	07
	Cam	Zinc plated steel	-

How to order : 2.605.001 — 29 — C
 Type of lock —
 The height of cam H=21, 25, 29, 33, 37 —
 Finish —

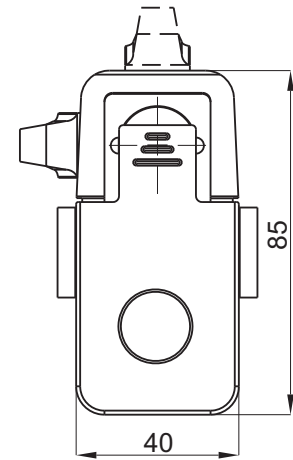
The lock has the stroke of the cam offsetting the clearance.

www.roztocze.eu

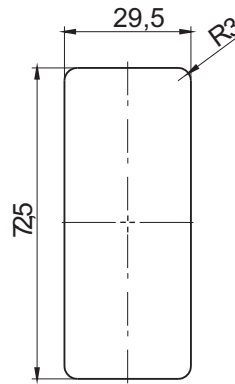
Locks |



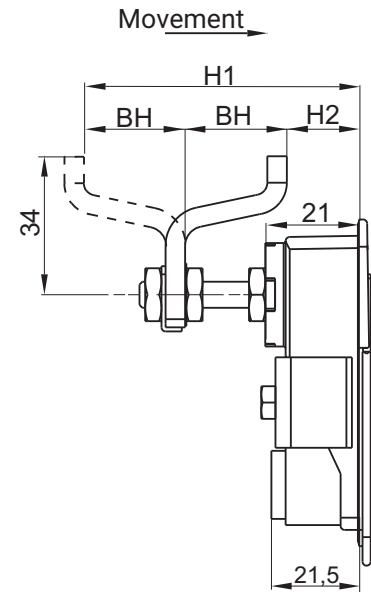
2.613.00.000



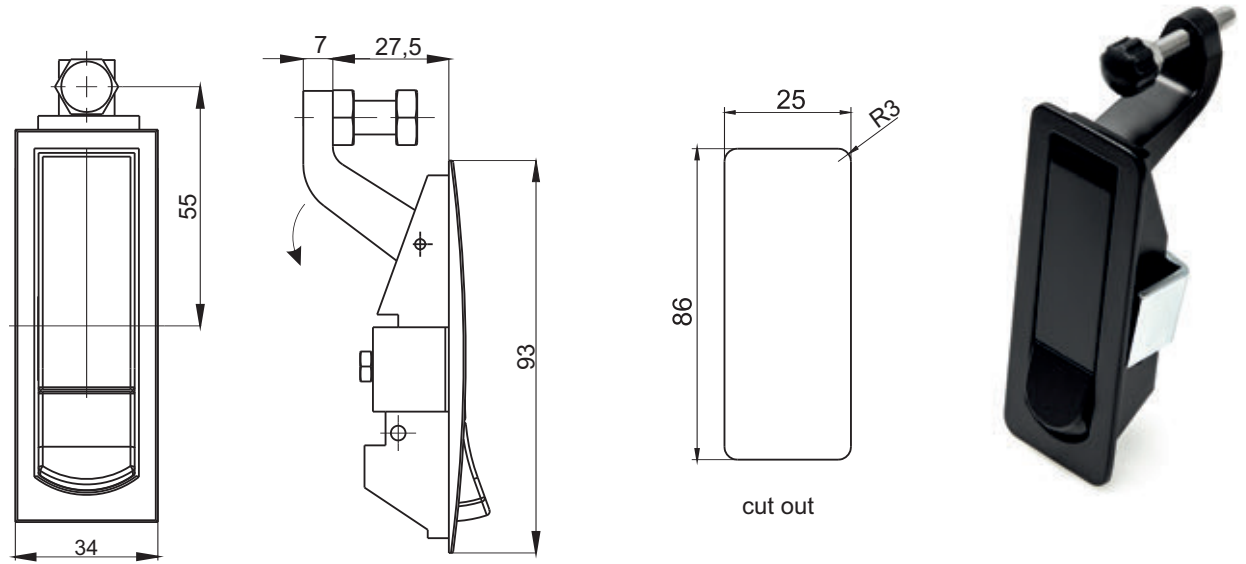
2.613.11.000



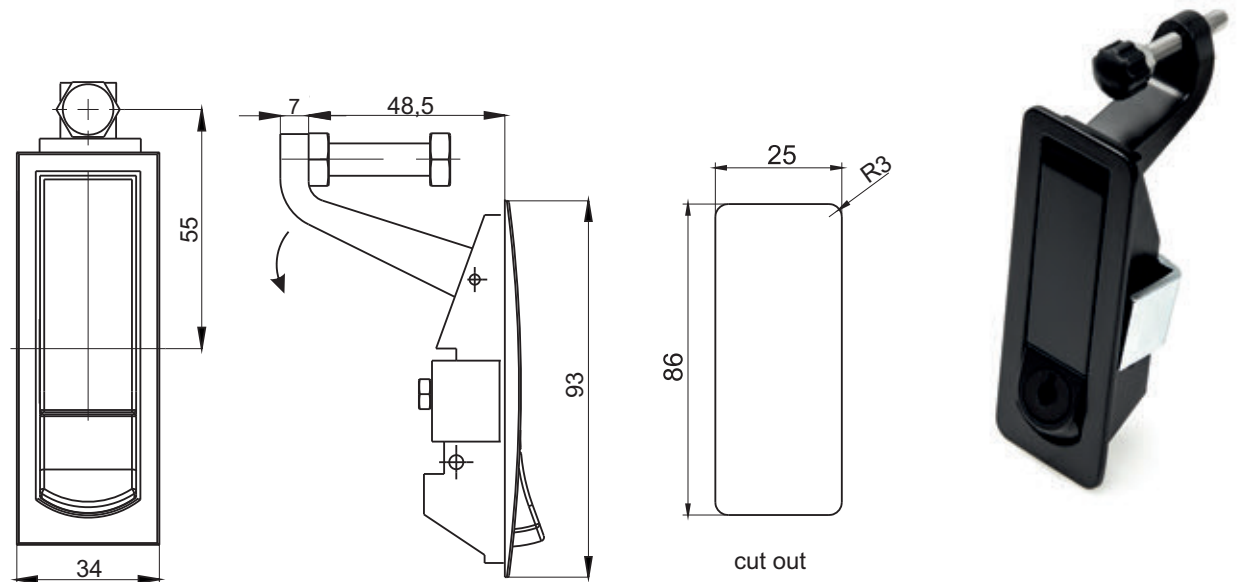
Cut out



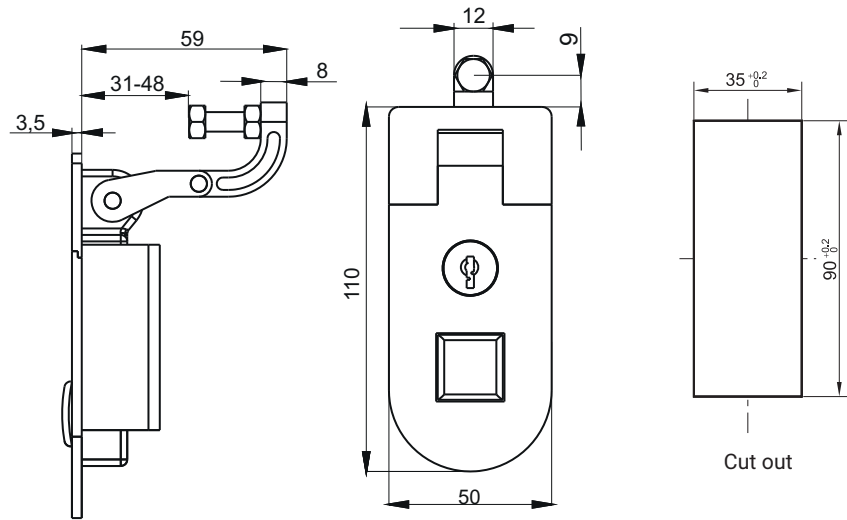
TYPE OF CYLINDER	CATALOGUE NUMBER				THE RANGE OF CAM	
	RAL 9005	04	Chrome	01	H2	H1
Without cylinder	2.613.00.110		2.613.00.130		6-16	56-66
	2.613.00.210		2.613.00.230		16-26	46-56
	2.613.00.310		2.613.00.330		26-36	56-46
Screwdriver	2.613.11.110		2.613.11.130		6-16	56-66
	2.613.11.210		2.613.11.230		16-26	46-56
	2.613.11.310		2.613.11.330		26-36	56-46
NAME	COMPONENTS			MATERIAL		
2.613.00.000	Housing, handle			ZAMAK5		
	Cam			Steel zinc plated		



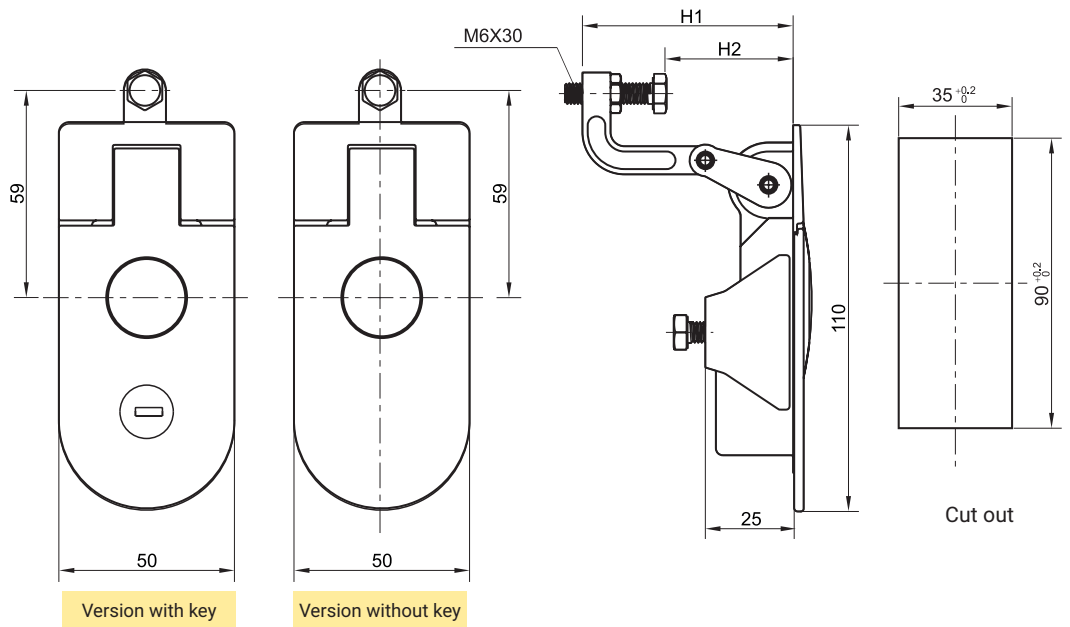
CATALOGUE NUMBER	TYPE OF LOCK	COMPONENTS	MATERIAL	FINISH [C]	
				Chrome	RAL 9005
2.615.146.10	With cylinder	Housing	ZAMAK 5	-	04
2.615.346.10	Without cylinder				
2.615.146.30	With cylinder	Housing	ZAMAK 5	01	-
2.615.346.30	Without cylinder				



CATALOGUE NUMBER	TYPE OF LOCK	COMPONENTS	MATERIAL	FINISH [C]	
				Chrome	RAL 9005
2.615.124.10	With cylinder	Housing	ZAMAK 5	-	04
2.615.324.10	Without cylinder				
2.615.124.30	With cylinder	Housing	ZAMAK 5	01	-
2.615.324.30	Without cylinder				

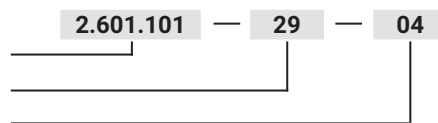


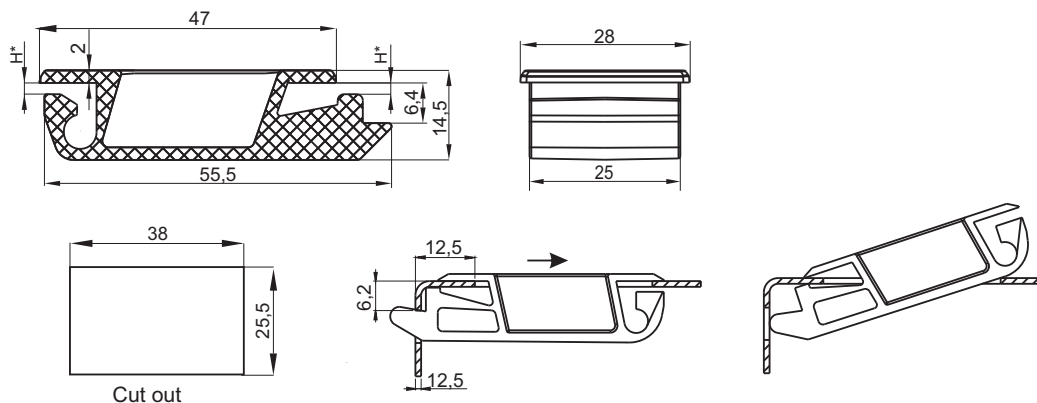
TYPE OF LOCK	COMPONENTS	MATERIAL	FINISH [C]
			RAL 9005
2.601.001	Housing, Handle	ZAMAK5	04



TYPE OF LOCK with key	TYPE OF LOCK without key	DIMENSION		COMPONENTS	MATERIAL	FINISH [C]
		H1	H2			RAL 9005
2.601.101	2.601.201	29	0-15	Housing, Handle	ZAMAK5	04
2.601.102	2.601.202	60	30-45			
2.601.103	2.601.203	43	15-30			
2.601.104	2.601.204	75	45-60			

How to order:
 Type of lock
 Dimension H1
 Finish [C]

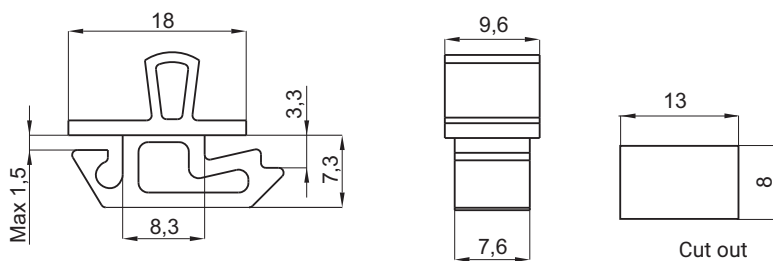




Closing snap :

- 5.509.001A dedicated to sheet thickness 1,2 mm-1,6 mm
- 5.509.001B dedicated to sheet thickness 1,75 mm-2,2 mm

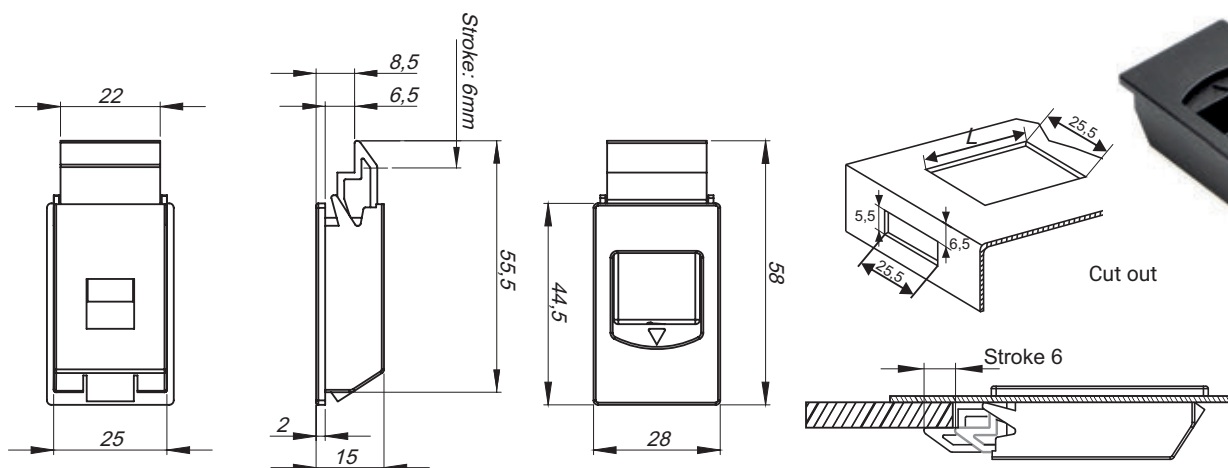
TYPE OF LOCK	DIMENSION [H]	FINISH & MATERIAL [C]	
		RAL9005 - ABS	RAL7035 - PA6
2.509.001A	1,8	07	08
2.509.001B	2,5		



Closing snap:

- 5.509.002 dedicated to sheet thickness 1 mm - 1,5 mm

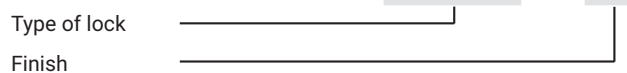
TYPE OF LOCK	COMPONENTS	MATERIAL	FINISH [C]	
			RAL9005	RAL7035
2.509.002	Housing	Polyamide	07	08

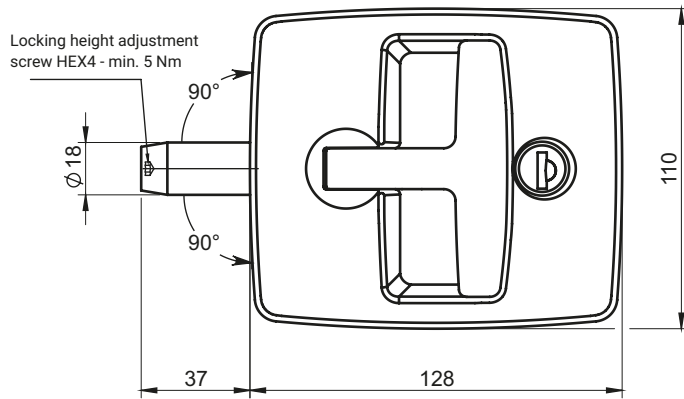
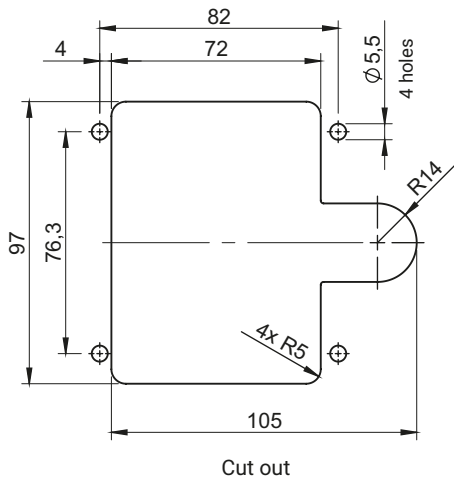
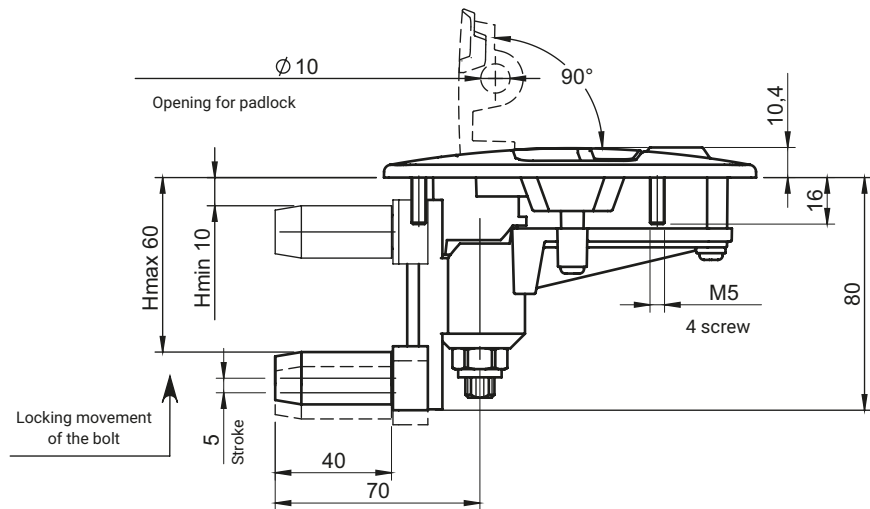


For sheets: 0.8 - 1.6 mm L = 37.3 + 0.9 mm
For sheets: 1.7 - 2.0 mm L = 38.7 + 0.2 mm

TYPE OF LOCK	COMPONENTS	MATERIAL	FINISH [C]	
			RAL9005	RAL7035
2.509.003	Housing, sliding portion	Polyamide	07	08

How to order :





Sealing of lockable doors by folding the lock handle into the lock body.
 The locking height (dimension H) is adjustable from 10 to 60 mm.
 Locking height is adjusted when the lock is installed and locked with the HEX 4 key
 - Recommended tightening torque for the adjusting screw: 5 Nm.

TYPE OF LOCK	COMPONENTS	MATERIAL	FINISH [C]		CYLINDER PROFILE	
			Chrome	RAL9005	Key code	
2.516.001	Housing, Lever Roller	Polyamide PA6 GF	-	07	Different code RK	1333
	Handle	ZAMAK	01	04		
	Bolt, Lever Bushing	ZAMAK	-	-		

INSERTS				FINISH [C]	
D5	T9	KW 8	S	Chrome	RAL9005*
				01	04

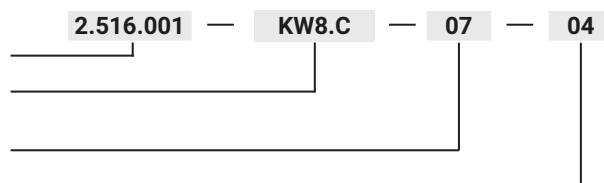
How to order:

Catalogue no.

Key code / Type of insert .[C]
 where: C - type of insert surface finish

Housing finish [C]

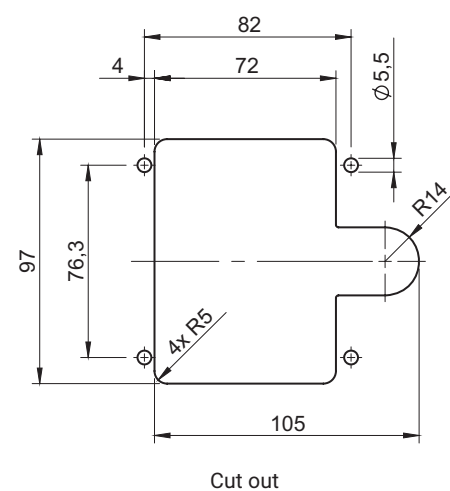
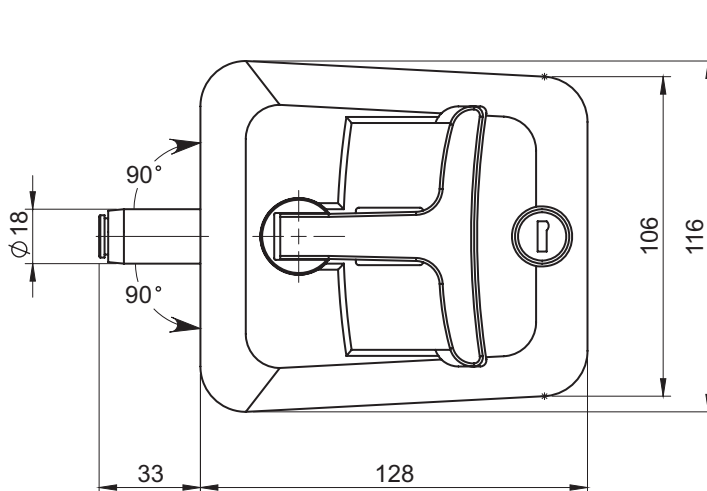
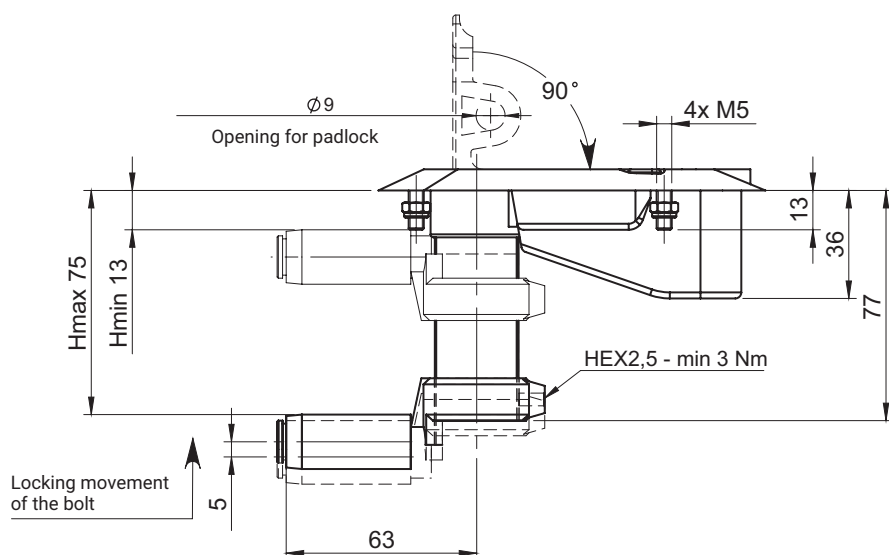
Handle finish [C]



* other colours on request



IP65



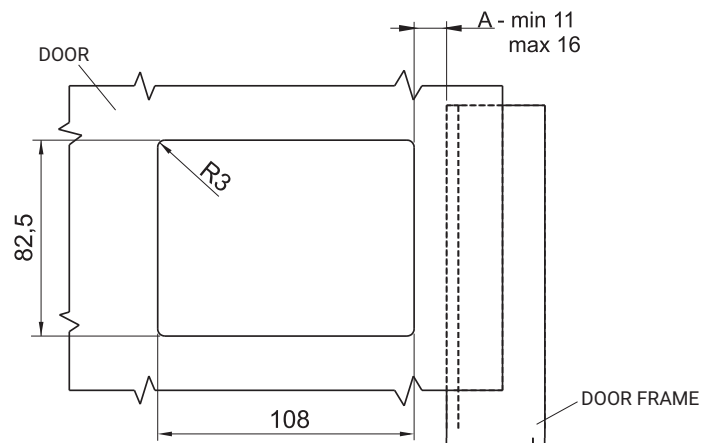
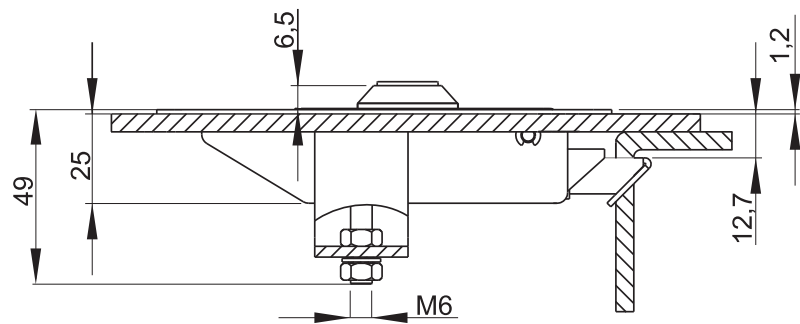
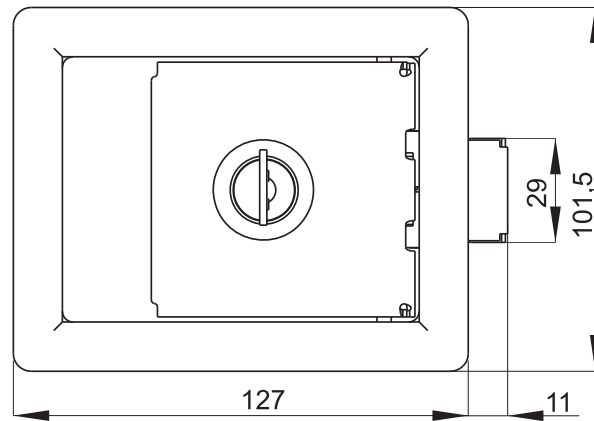
Sealing of the closed door through the axial rotation of the bushing along with the bolt, and fixing the lock in the closed position occurs when the lock handle is folded into its body.
 The position of the bolt (dimension H) is adjustable in the range from 13 to 75 mm.
 The position of the bolt on the bolt bushing is determined during assembly and then fixed with a 2.5 mm HEX key - the minimum recommended tightening torque is 3 Nm.
 The lock handle is available in two colors: black (RAL 9005) and grey (RAL 7035).

TYPE OF LOCK	COMPONENTS	MATERIAL	FINISH [C]	
			RAL9005	RAL7035
2.515.001	Housing, Lever Roller	Polyamide PA6 GF	07	-
	Handle	ZAMAK	04	05
	Bolt, Lever Bushing	ZAMAK	-	-

How to order:

Catalogue no.
 Housing finish
 Handle finish

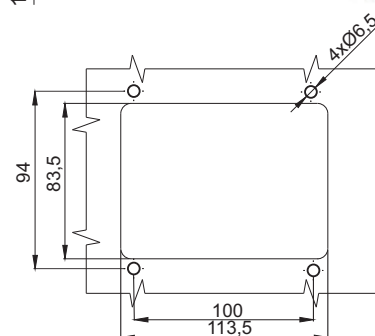
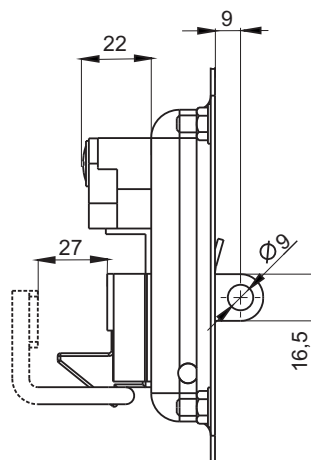
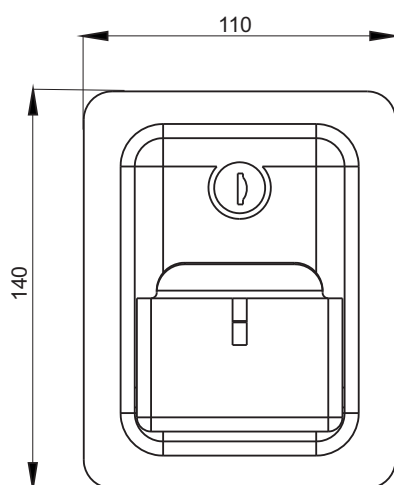




Cut out

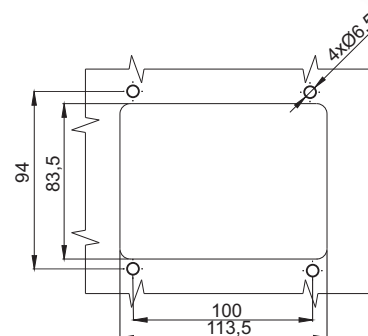
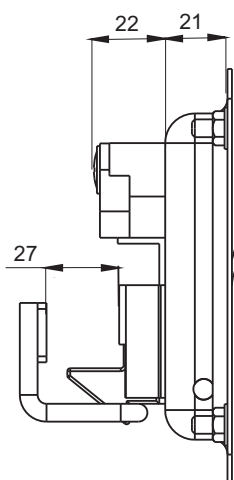
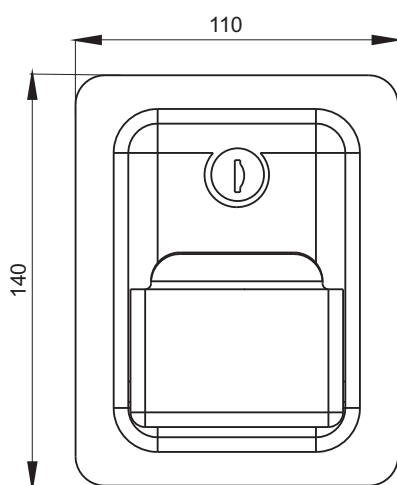
TYPE OF LOCK	COMPONENTS	MATERIAL	FINISH [C]
			RAL 9005
2.511.001	Housing	Steel zinc plated	04
	Gasket	Elastomer	
2.511.001SN	Housing	Stainless steel	-
	Gasket	Elastomer	

2A-91



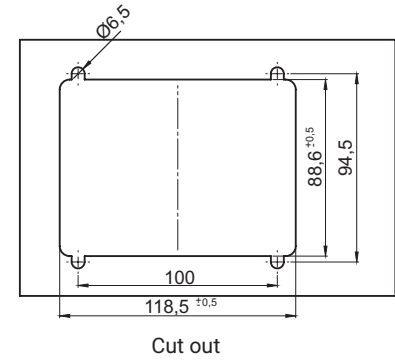
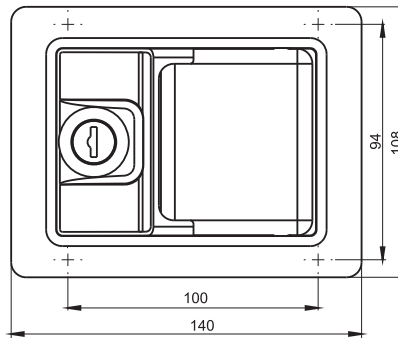
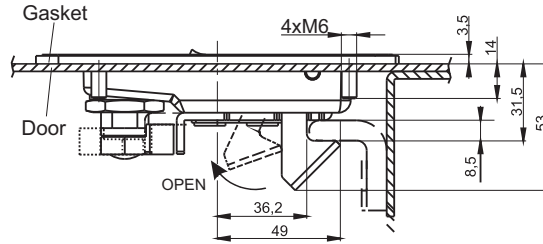
Cut out

TYPE OF LOCK	COMPONENTS	MATERIAL	FINISH [C]
			RAL 9005
2.610.001	Housing	Steel zinc plated	04
	Gasket	Elastomer	

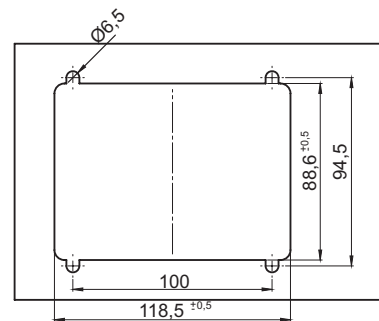
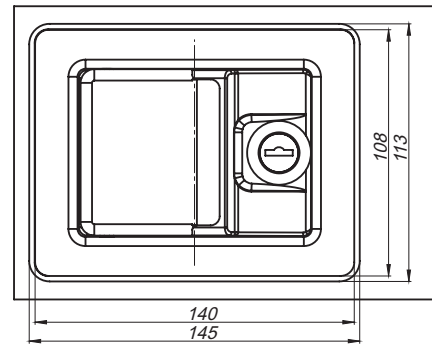
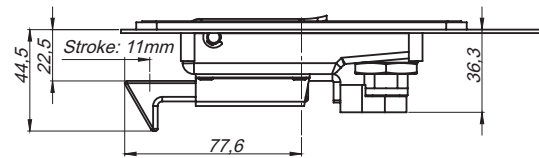


Cut out

TYPE OF LOCK	COMPONENTS	MATERIAL	FINISH [C]
			RAL 9005
2.610.002	Housing	Stainless steel	04
	Gasket	Elastomer	



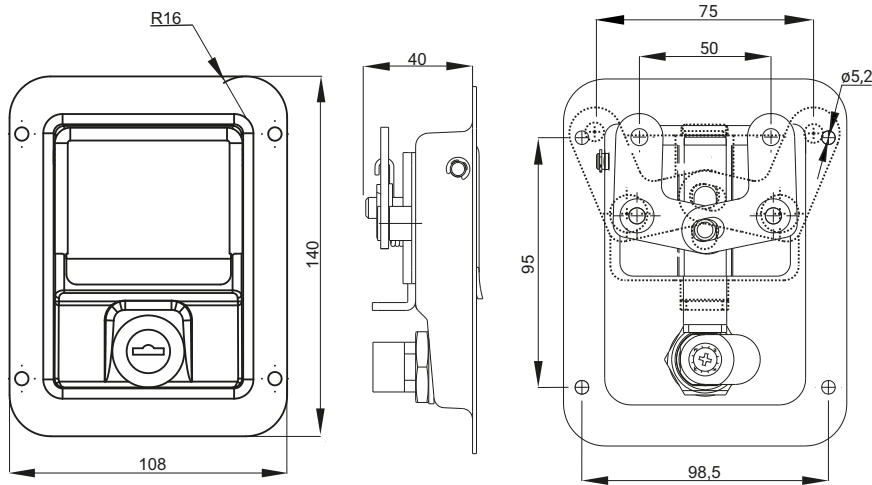
TYPE OF LOCK	COMPONENTS	MATERIAL	FINISH [C]
			RAL 9005
2.510.001	Housing	Steel zinc plated	04
	Gasket	Elastomer	



Cut out

TYPE OF LOCK	COMPONENTS	MATERIAL	FINISH [C]
			RAL 9005
2.510.003	Housing	Steel zinc plated	04
	Gasket	Elastomer	

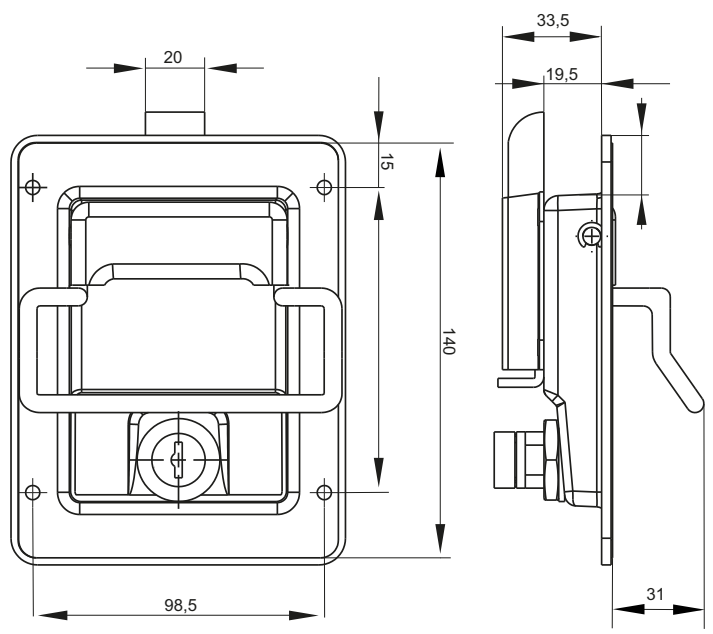
Lock 2.510



stainless steel



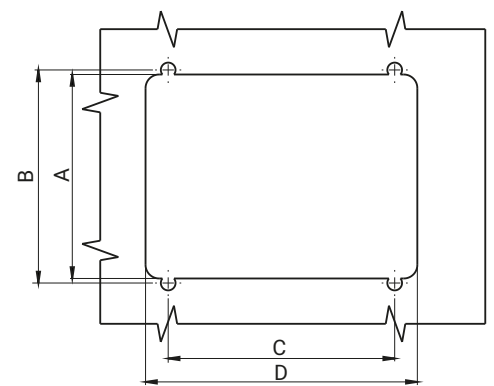
TYPE OF LOCK	COMPONENTS	MATERIAL	FINISH [C]
			2.510.002



stainless steel



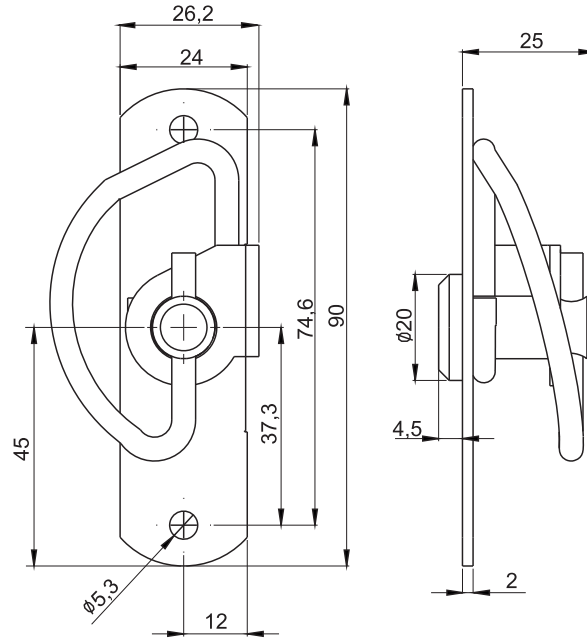
TYPE OF LOCK	COMPONENTS	MATERIAL	FINISH [C]
			2.510.005



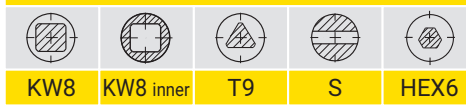
Cut out

NR	Dimension [mm]			
	A	B	C	D
2.510.002	90	95	98	120
2.510.005	80	98,5	103	113,5

stainless steel

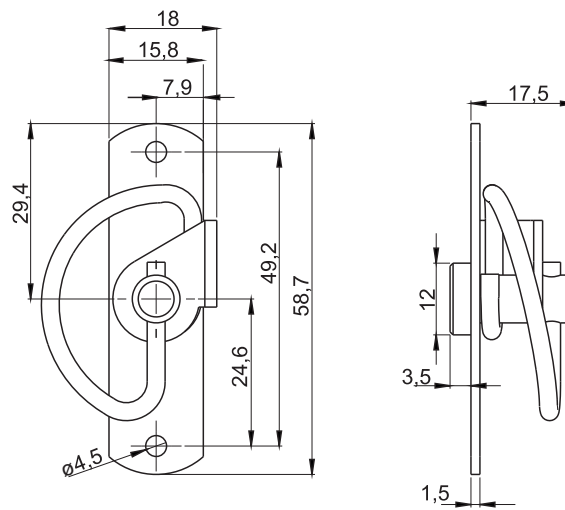


Inserts



TYPE OF LOCK	COMPONENTS	MATERIAL
2.504.001	Housing, insert Spring	Stainless steel

stainless steel



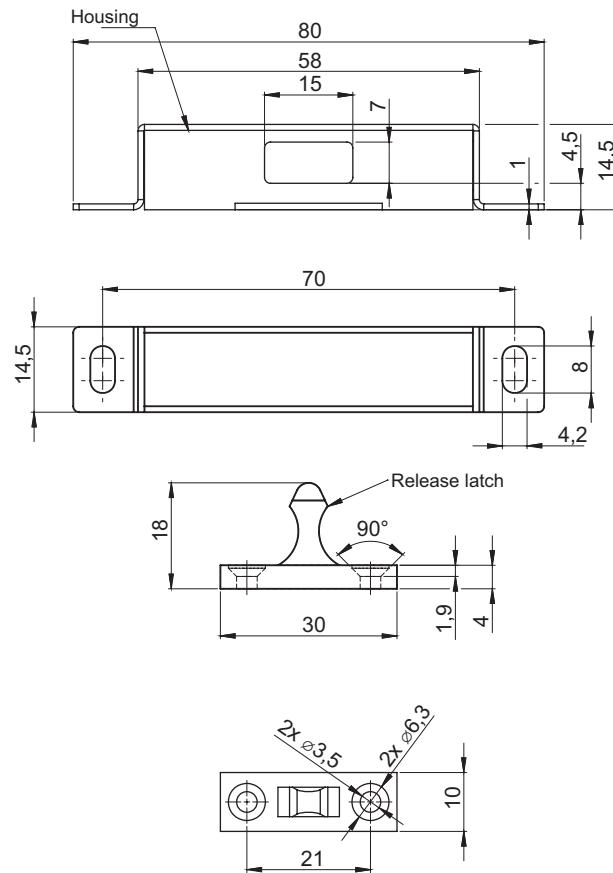
TYPE OF LOCK	COMPONENTS	MATERIAL
2.504.002	Housing, insert Spring	Stainless steel

How to order :

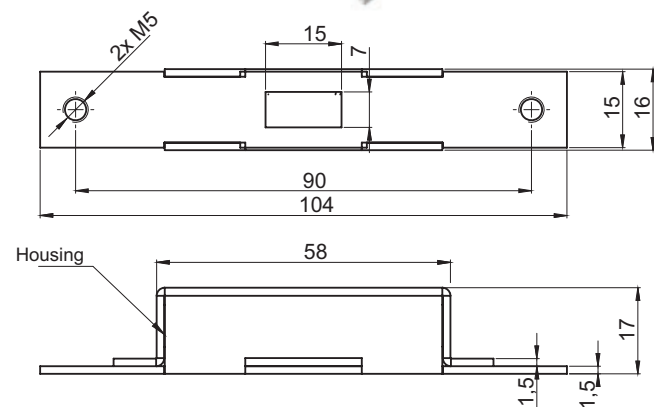
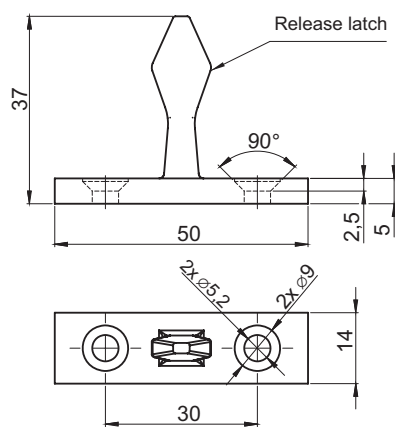
Type of lock

Type of insert

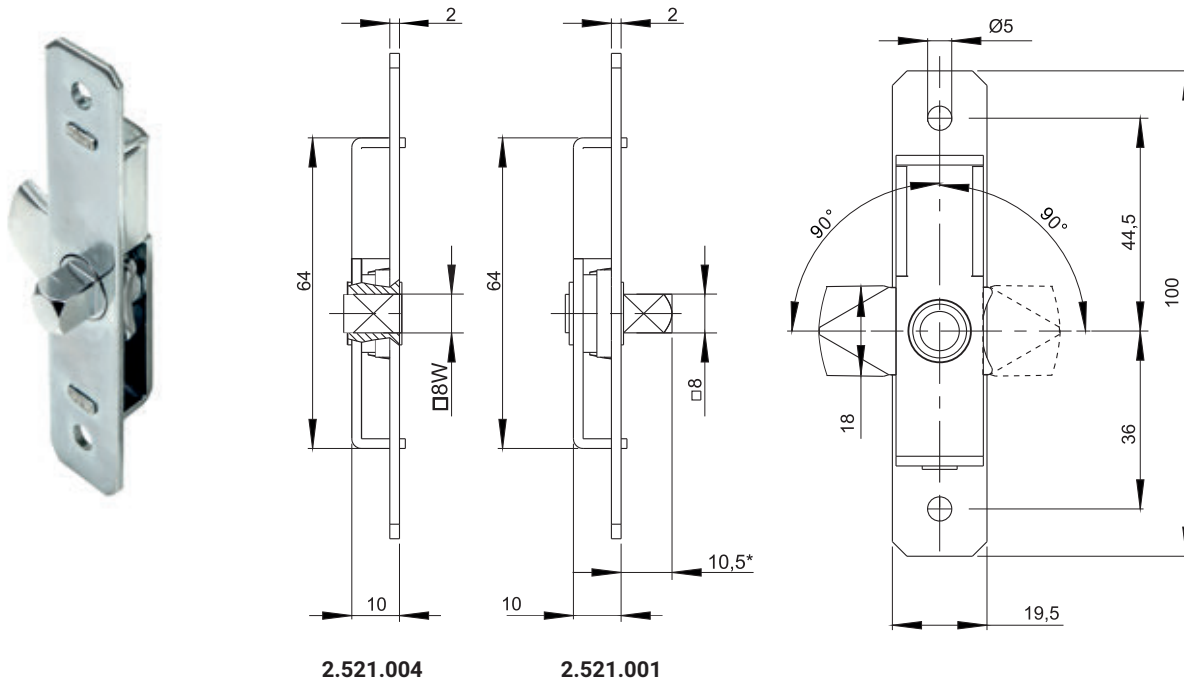
2.504.001 — KW8



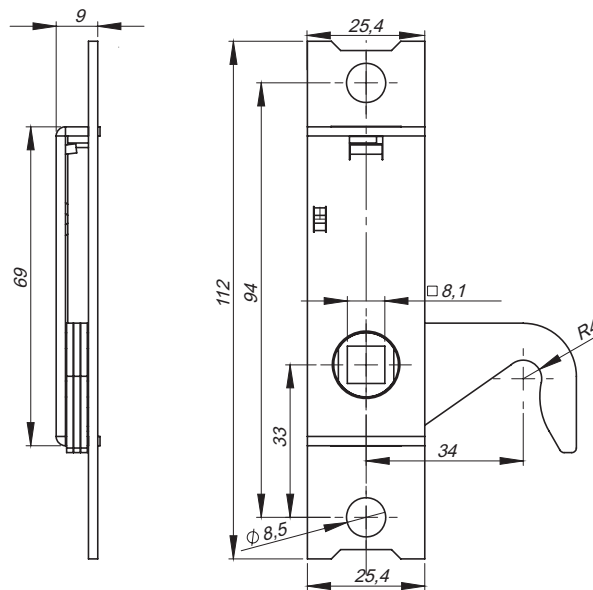
TYPE OF LOCK	DETAIL	COMPONENTS	MATERIAL
2.200.001	Roller latch	Housing	Zinc plated steel
		Release latch	POM



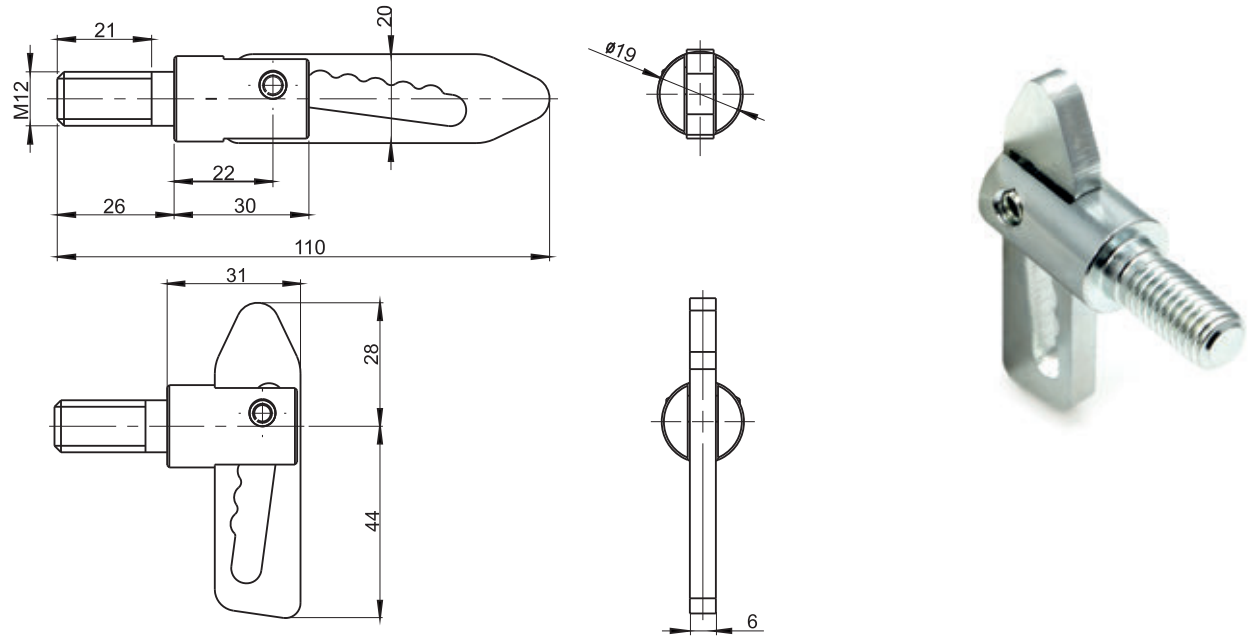
TYPE OF LOCK	DETAIL	COMPONENTS	MATERIAL
2.210.001SN	Roller latch	Housing	Stainless steel
		Release latch	POM



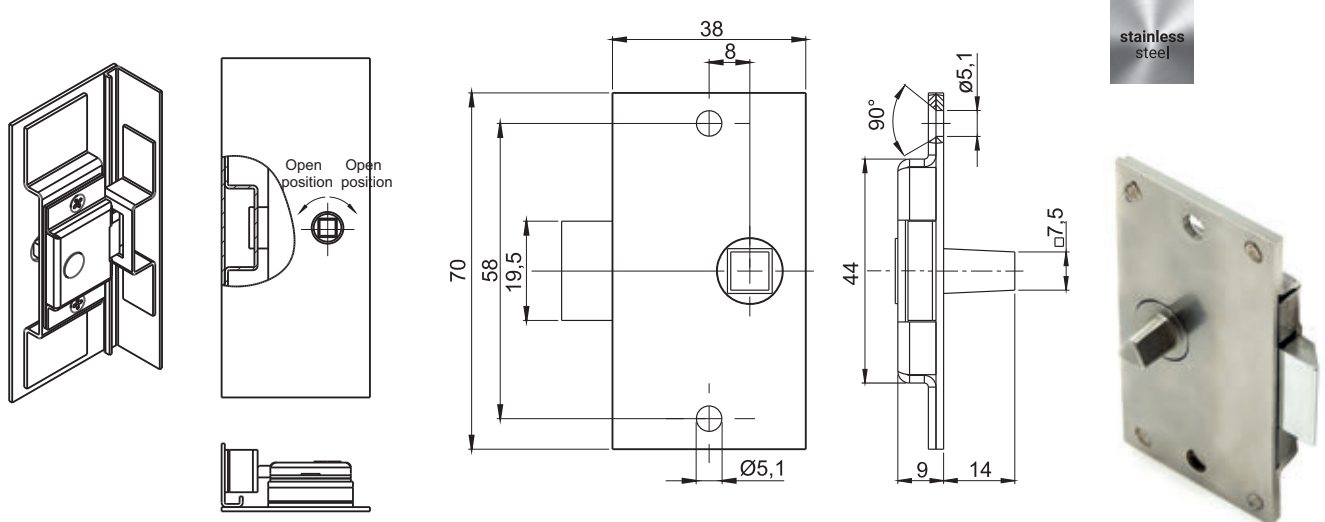
CATALOGUE NUMBER	COMPONENTS	MATERIAL
2.521.001	Housing, Insert, Cam	Steel zinc plated
2.521.004	Housing, Insert, Cam	Stainless steel



CATALOGUE NUMBER	COMPONENTS	MATERIAL
2.505.001	The base of the cam	Steel zinc plated
	The hook cam	Steel zinc plated
	The spring of the lock	Stainless steel



TYPE OF LOCK	COMPONENTS	MATERIAL
2.503.002	Insert, holdfast	Steel zinc plated
2.503.002SN	Insert, holdfast	Stainless steel



INSERT		
KW8-14	KW8-8	T8-9
TYPE OF LOCK	COMPONENTS	MATERIAL
2.520.001SN	Housing, insert Cam	Stainless steel

How to order :

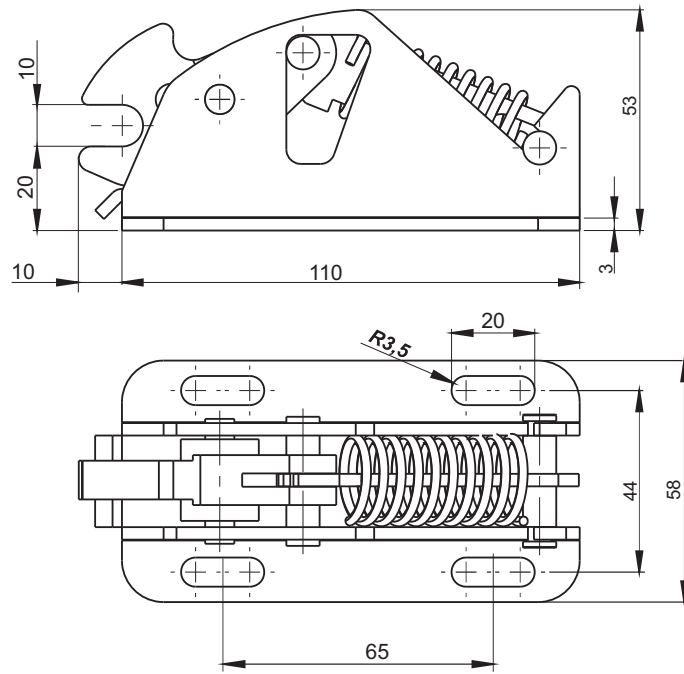
Type of lock or catalogue number

Type of insert

Height cam H

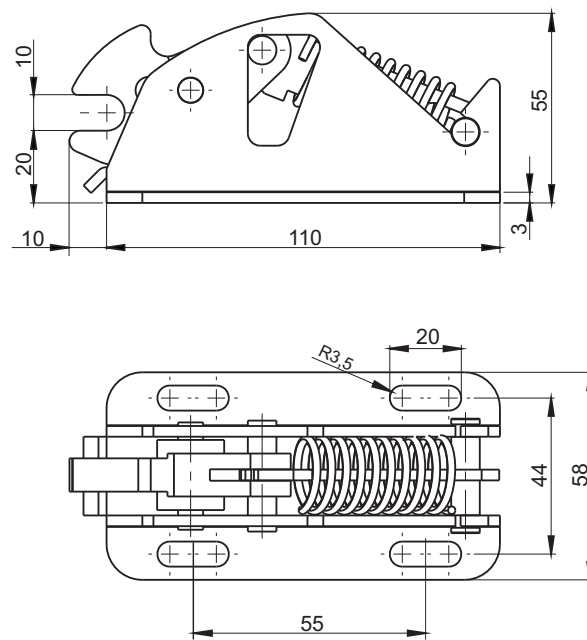
2.520 — T8 — 9

stainless steel

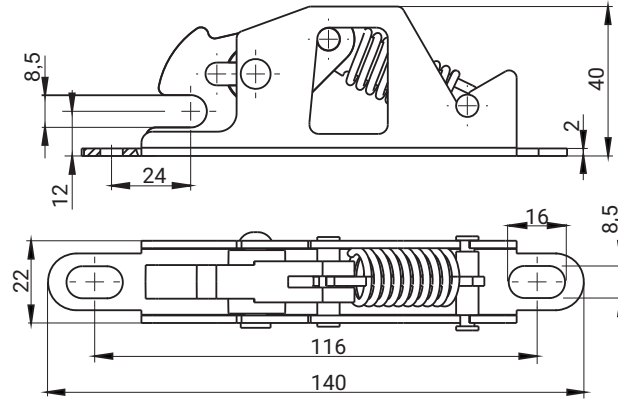


TYPE OF LOCK	COMPONENTS	MATERIAL
2.501.001	Housing / cam	Steel zinc plated/ Polyamide
2.501.001SN	Housing / cam	Stainless steel/ Polyamide

stainless steel



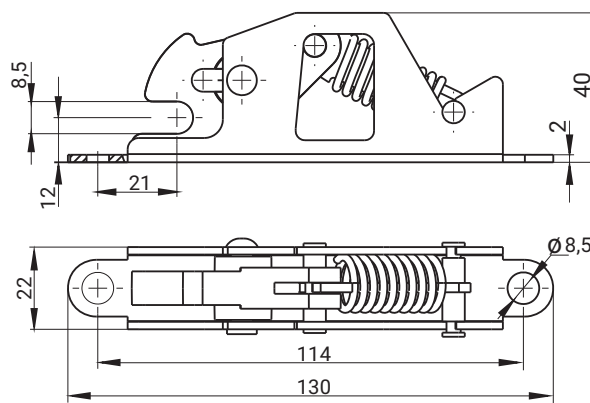
TYPE OF LOCK	COMPONENTS	MATERIAL
2.501.003	Housing / cam	Steel zinc plated/ Polyamide
2.501.003SN	Housing / cam	Stainless steel/ Polyamide



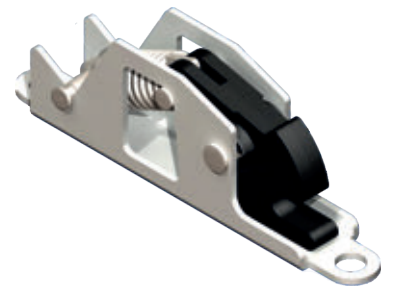
stainless steel



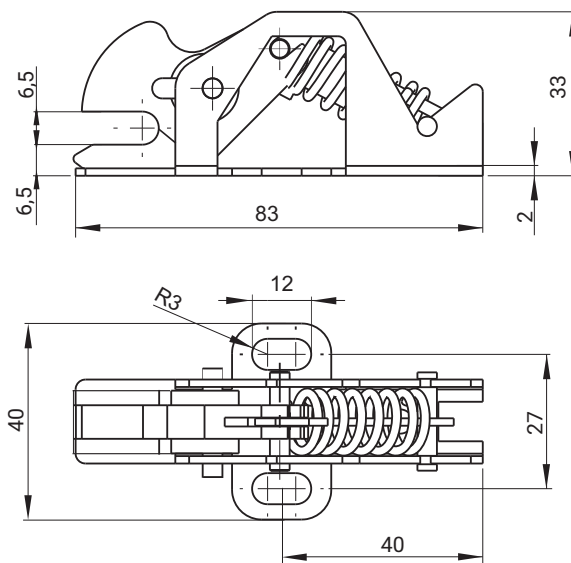
TYPE OF LOCK	COMPONENTS	MATERIAL
2.512.001	Housing / Cam	Steel zinc plated / Polyamide
2.512.001SN	Housing / Cam	Stainless Steel / Polyamide



stainless steel



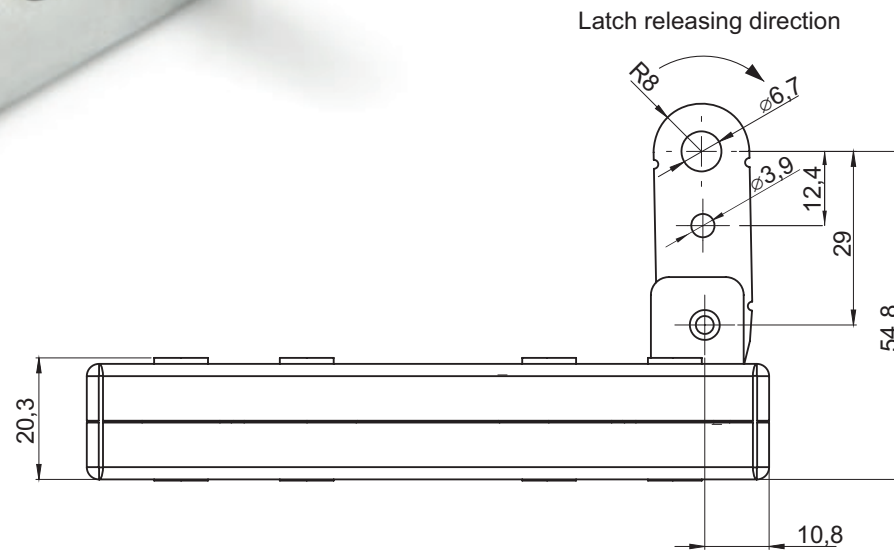
TYPE OF LOCK	COMPONENTS	MATERIAL
2.512.002	Housing / Cam	Steel zinc plated / Polyamide
2.512.002SN	Housing / Cam	Stainless Steel / Polyamide



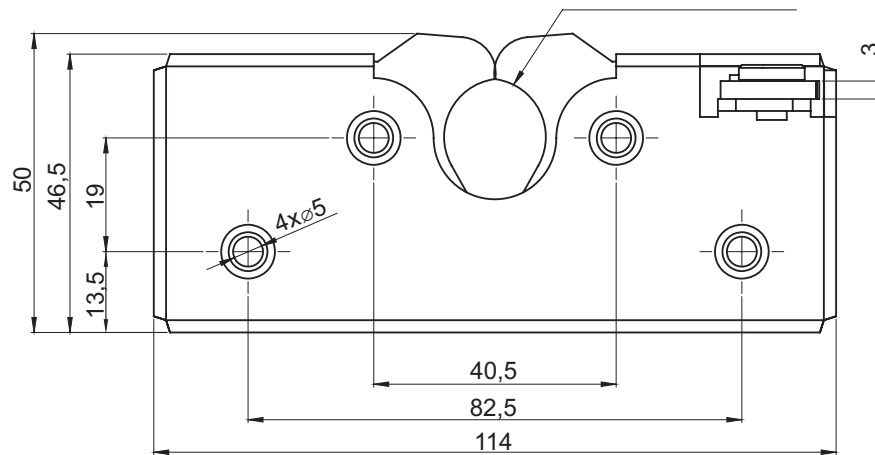
stainless steel



TYPE OF LOCK	COMPONENTS	MATERIAL
2.502.001	Housing / Cam	Steel zinc plated / Polyamide
2.502.001SN	Housing / Cam	Stainless Steel / Polyamide

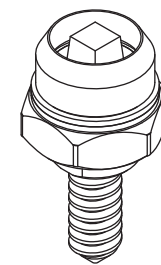
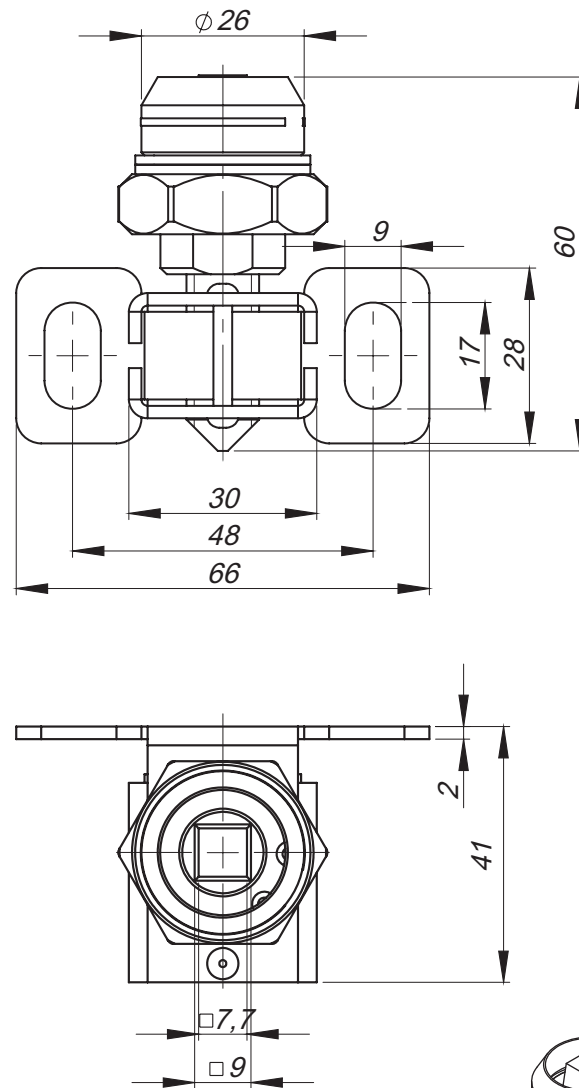


Max diameter of latching rod is 17mm

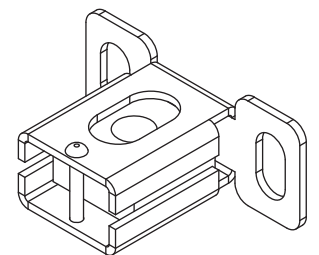


TYPE OF LOCK	COMPONENTS	MATERIAL
2.507.001	Housing	Zinc plated steel
	Bolt	Oxidized steel

stainless steel

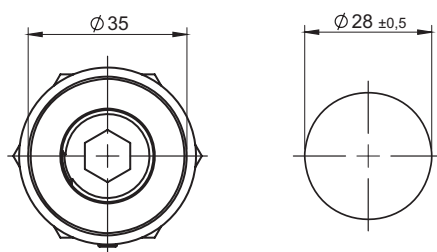
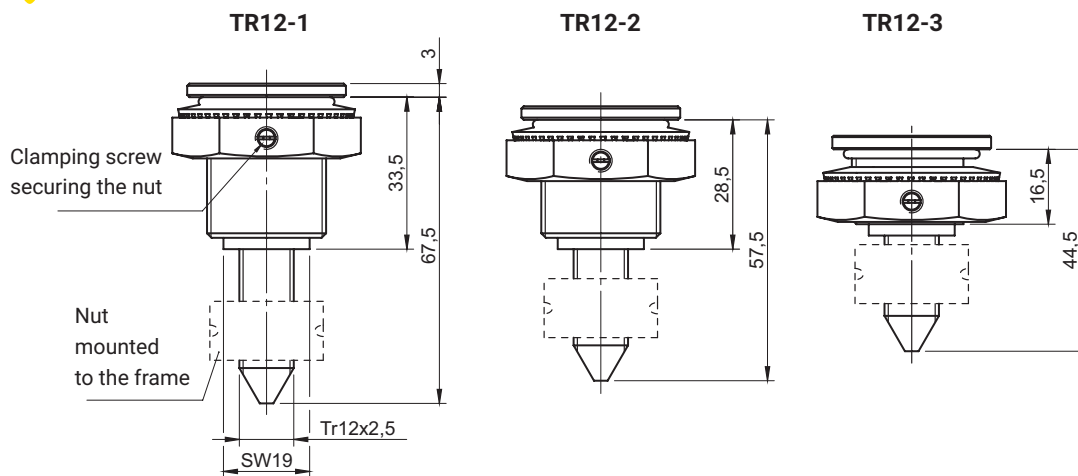


Locking flap

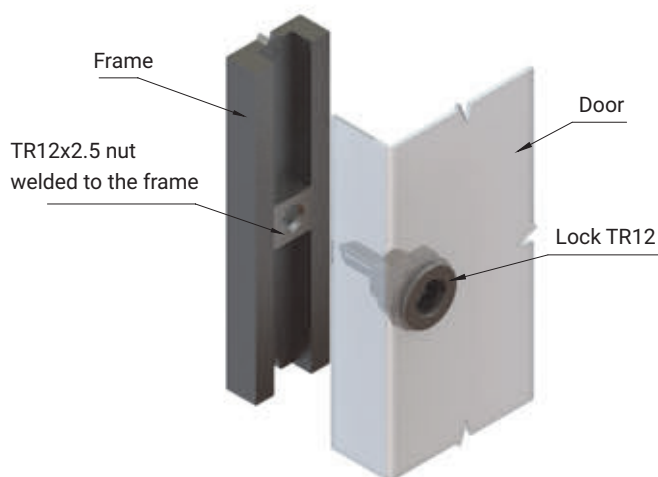
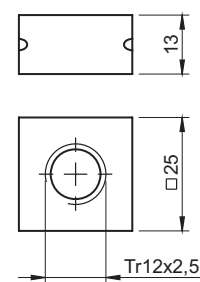


Locking flap handle

TYPE OF LOCK	COMPONENTS	MATERIAL
2.700.001	Locking flap	Stainless steel AISI 316L
	Locking flap handle	Stainless steel AISI 304



Nut TR12x2,5



CATALOGUE NUMBER	INSERTS [D]	COMPONENTS	MATERIAL
TR12-1 TR12-2 TR12-3	 KW8-4 HEX10 KW9-7	Housing, Insert	Stainless steel
TR12x2,5	-	Nut	Stainless steel

How to order:

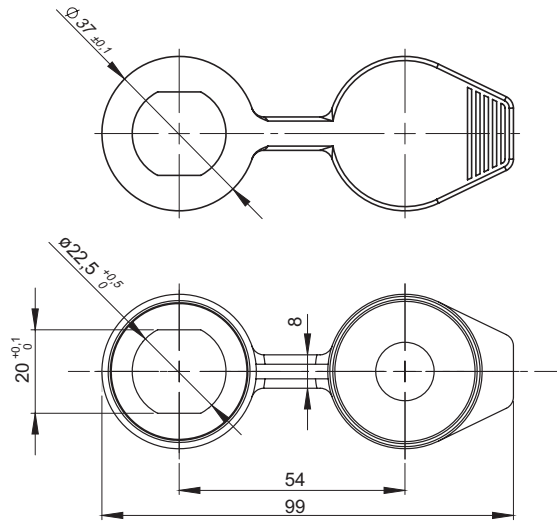
Catalogue number
Type of insert



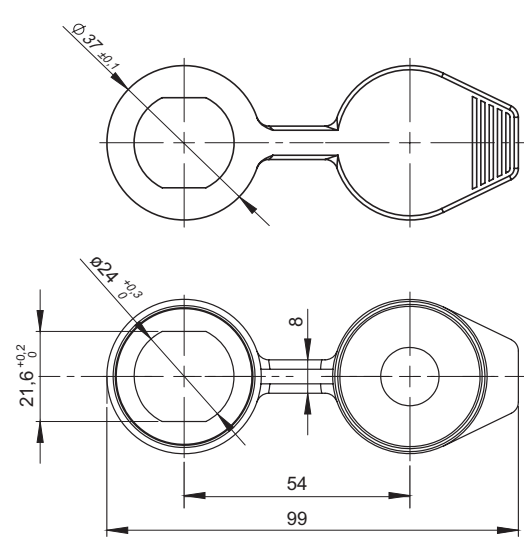
Nut TR12x2,5 to be ordered separately



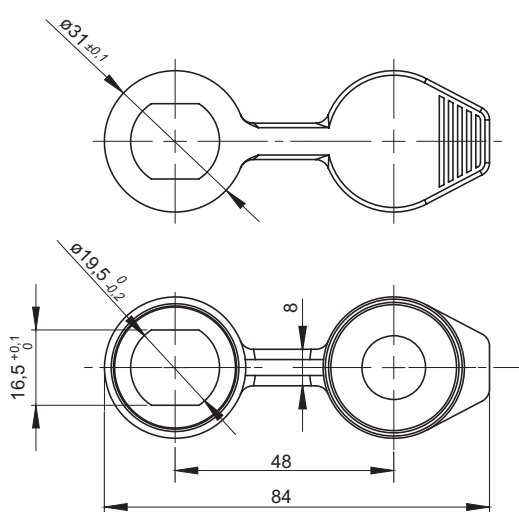
Cover 2.904.005



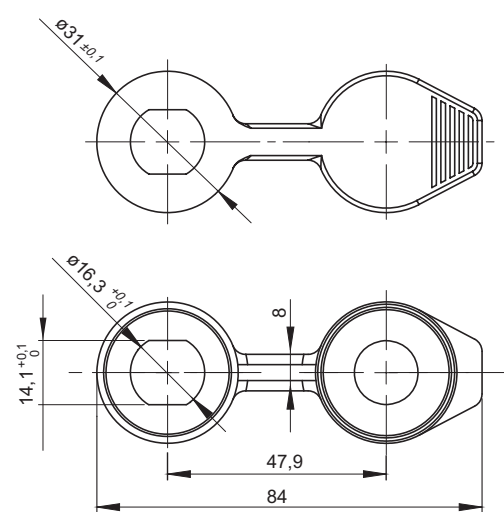
Cover 2.904.006



Cover 2.904.007



Cover 2.904.008

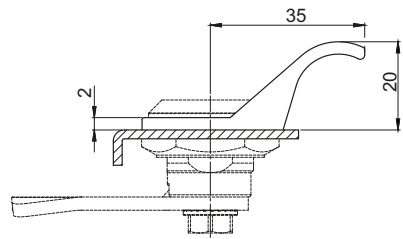


Attention:

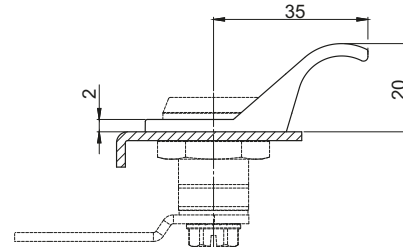
In case of adjusting the handle the H dimension reduces of 2mm

CATALOGUE NUMBER	TYPE OF LOCK	MATERIAL	FINISH [C]
2.904.005	M22	TPE	RAL9005
2.904.006	M24		07
2.904.007	M19W		
2.904.008	M16		

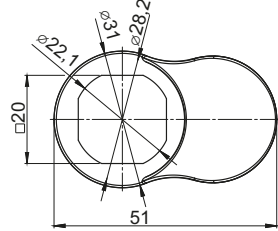
* colour 7035 available on special request



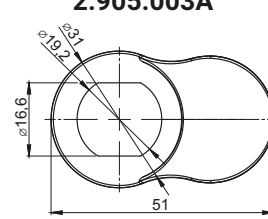
2.905.004A



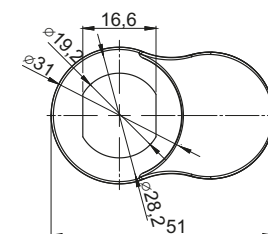
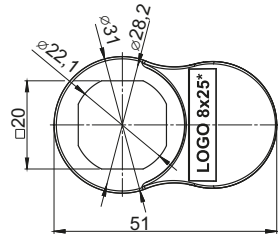
2.905.003A



2.905.004B



2.905.003B

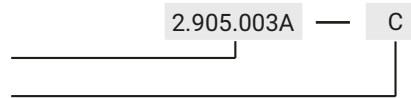


CATALOGUE NO.	DETAIL	MATERIAL	FINISH [C]	
			RAL 9005	RAL 7035
2.905.004A	Handle for lock M22	Polyamide PA6 GF30	07	08
2.905.004B				
2.905.003A	Handle for lock M19	Polyamide PA6 GF30	07	08
2.905.003B				

How to order :

Catalogue no.

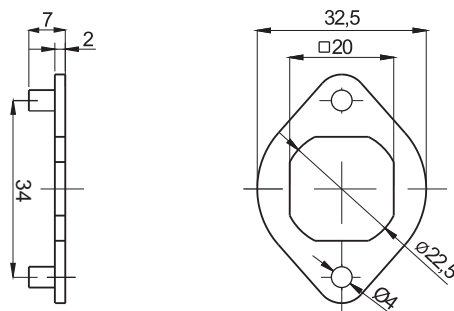
Finish



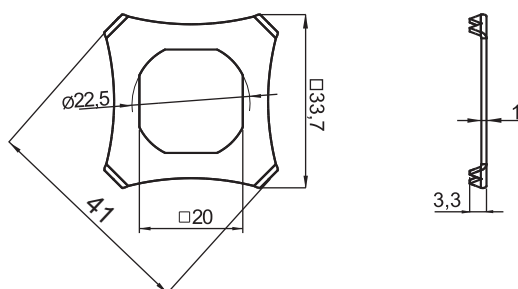
* Optional logo on the handle 2.905.004B with dimension 8x25 mm.

Handle for lock 2.905.004 is fitted with all locks M22 with the outside diameter of flanged housing $\varnothing 28$.

2.905.003 and 2.905.013 are fitted with locks M19W, M19DC, Z-2106, 2.612.001.



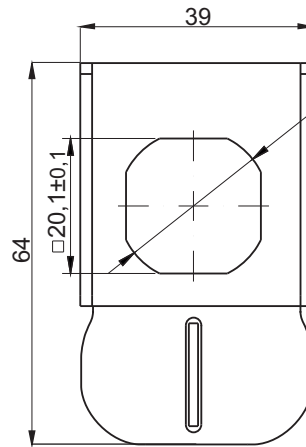
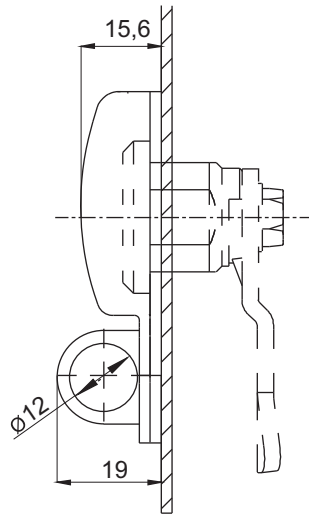
CATALOGUE NUMBER	COMPONENTS	MATERIAL
2.907.002	Locking washer	Steel zinc plated
2.907.002SN	Locking washer	Stainless steel



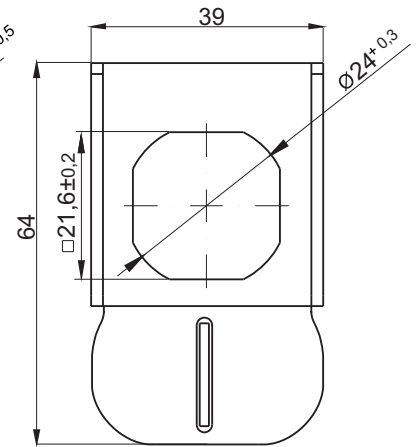
CATALOGUE NUMBER	COMPONENTS	MATERIAL
2.911.001	Locking washer	Steel zinc plated
2.911.001SN	Locking washer	Stainless steel

stainless steel

Blockade ST2



Blockade 2.902.001

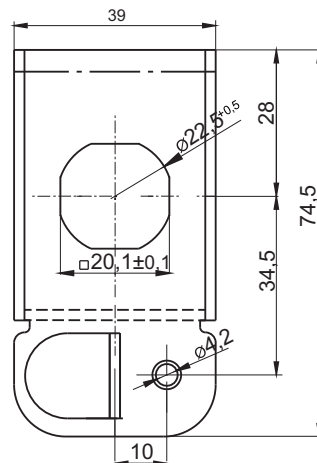
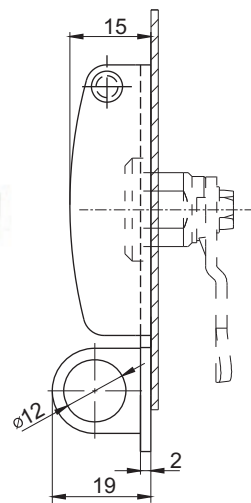


Blockade 2.902.002

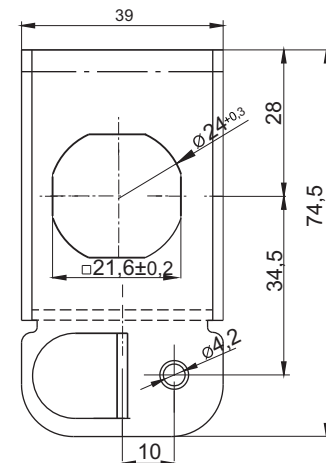
CATALOGUE NUMBER	TYPE OF LOCK	COMPONENTS	MATERIAL
2.902.001	M22	Rate, flape	Steel zinc plated
2.902.001SN	M22	Rate, flape	Stainless steel
2.902.002	M24	Rate, flape	Steel zinc plated
2.902.002SN	M24	Rate, flape	Stainless steel

stainless steel

Blockade ST2.02



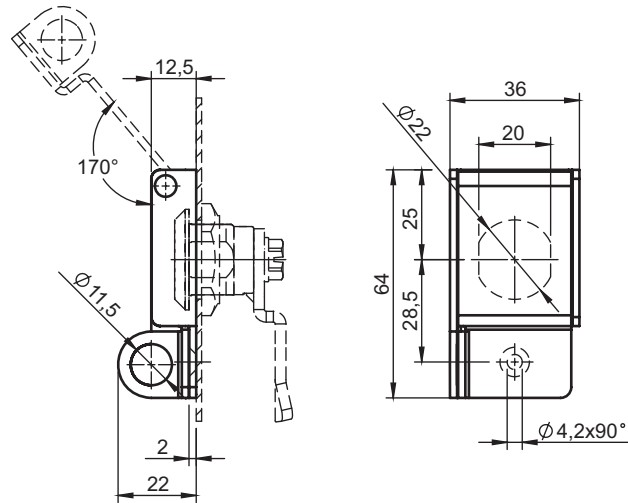
Blockade 2.904.101



Blockade 2.905.102

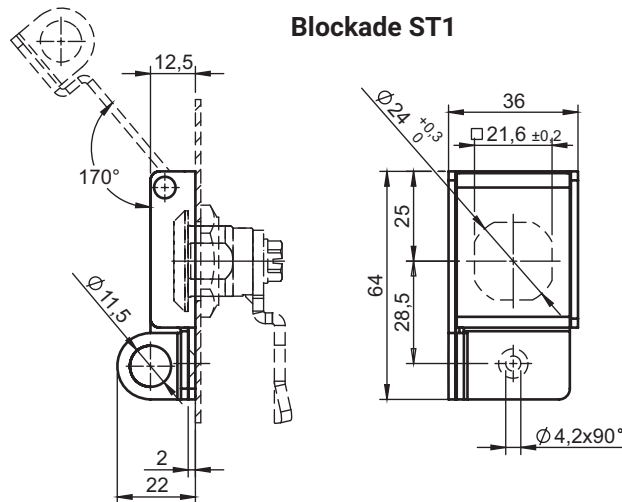
CATALOGUE NUMBER	TYPE OF LOCK	COMPONENTS	MATERIAL
2.904.101	M22	Rate, flape	Steel zinc plated
2.904.101SN	M22	Rate, flape	Stainless steel
2.905.102	M24	Rate, flape	Steel zinc plated
2.905.102SN	M24	Rate, flape	Stainless steel

Blockade ST1

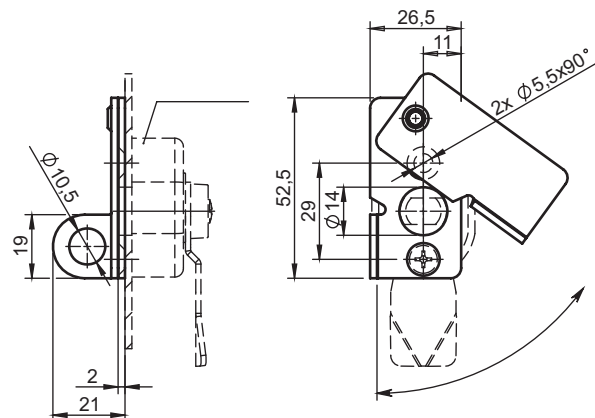


CATALOGUE NUMBER	COMPONENTS	MATERIAL
2.901.001	Rate, flap	Steel zinc plated
2.901.001SN	Rate, flap	Stainless steel

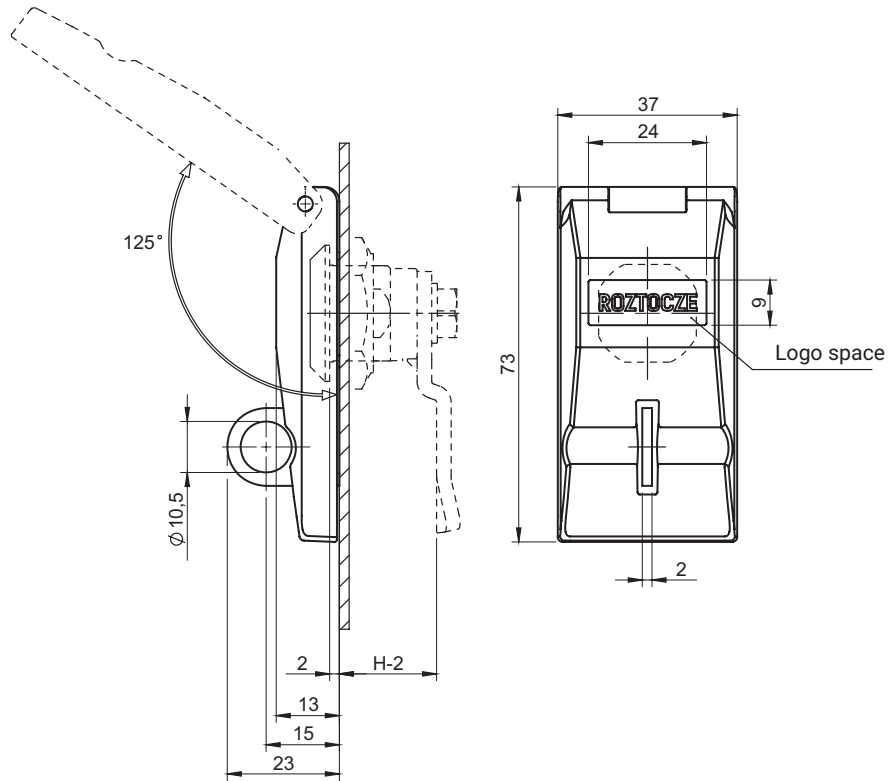
Blockade ST1



CATALOGUE NUMBER	COMPONENTS	MATERIAL
2.901.002	Rate, flap	Steel zinc plated
2.901.002SN	Rate, flap	Stainless steel



CATALOGUE NUMBER	COMPONENTS	MATERIAL
2.903.001	Rate, flap	Steel zinc plated
2.903.001SN	Rate, flap	Stainless steel
2.903.001AL	Rate, flap	Aluminum

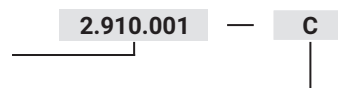


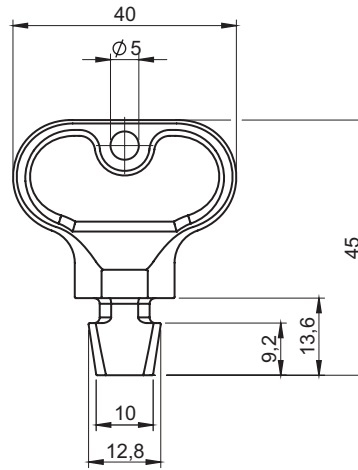
* Customized logo available.

CATALOGUE NUMBER	TYPE OF LOCK	COMPONENTS	MATERIAL
2.910.001	M22	Base Lock cover	Steel zinc plated ZAMAK
2.910.002	M24		
FINISH [C]			
Nickel		RAL9005	
02		04	

How to order:

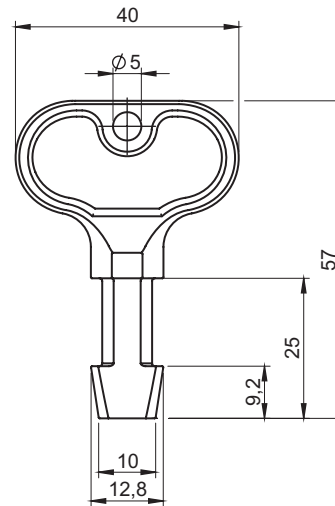
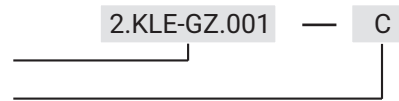
Catalogue number
Finish





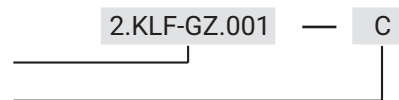
CATALOGUE NUMBER	MATERIAL	FINISH [C]	
		RAL 9005	RAL 7035
2.KLE-GZ.001	Polyamide	07	08

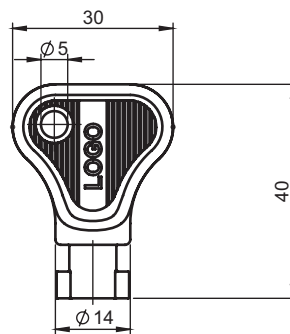
How to order:
 Catalogue number, type of key
 Finish



CATALOGUE NUMBER	MATERIAL	FINISH [C]	
		RAL 9005	RAL 7035
2.KLF-GZ.001	Polyamide	07	08

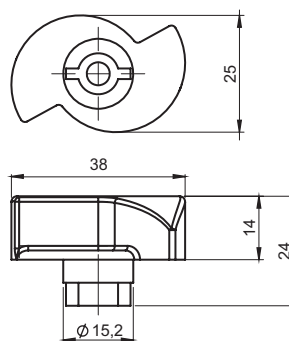
How to order:
 Catalogue number, type of key
 Finish





Customized logo on the key available.

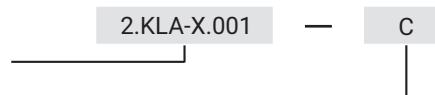
CATALOGUE NUMBER	MATERIAL	TYPE OF KEY [X]			FINISH [C]	
2.KLB-X.001	Polyamide				RAL 9005	RAL 7035
		D5	T9	KW 8	07	08



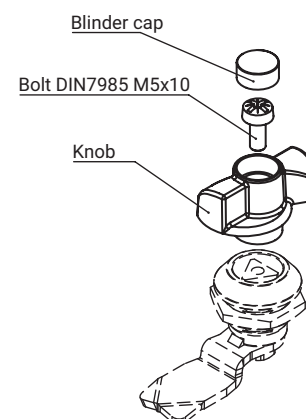
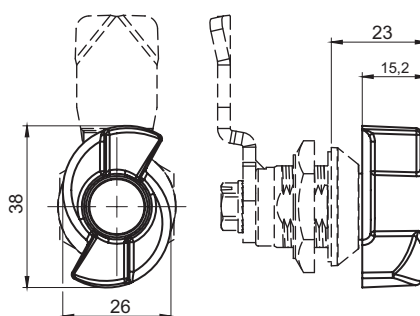
CATALOGUE NUMBER	MATERIAL	TYPE OF KEY [X]				FINISH [C]	
2.KLA-X.001	Polyamide					RAL 9005	RAL 7035
		D5	T9	KW 8	C9	07	08

How to order:

Catalogue number, type o key [X]
Finish



Wing knob for T13 insert

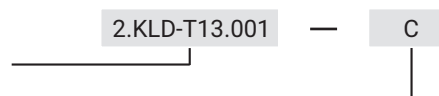


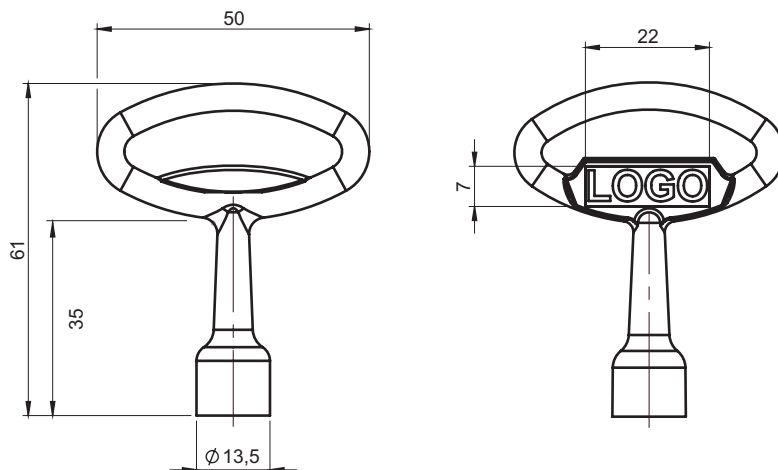
Wing knob for T13 pin, M22-2 and M22-DU locks (pages 2A-9 and 2A-11)

CATALOGUE NUMBER	COMPONENTS	MATERIAL	Finish [C]
			RAL 9005
2.KLD-T13.001	T-handle, Blinder cap	Polyamide	07
	Bolt M5x10	Steel zinc plated	-

How to order:

Catalogue no.
Finish





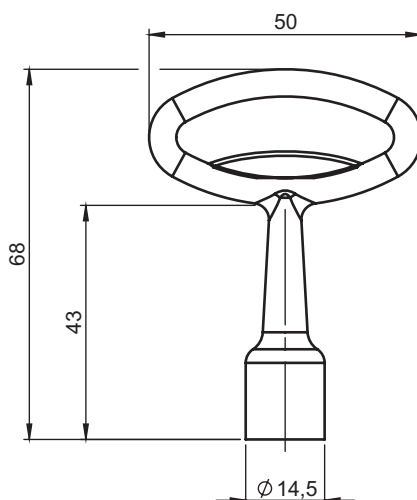
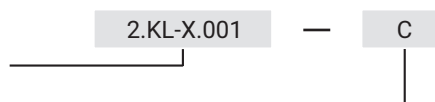
Possibility of making logo key on request.

CATALOGUE NUMBER											MATERIAL			
2.KL-X.001											ZAMAK5			
Type of key [X]											Finish [C]			
											No finish	Chrome	Nickel	RAL 9005
D3	D5	T6	T7	T9	KW6	KW7	KW8	N	C9	Q	00	01	02	04

How to order:

Catalogue number, type o key [X]

Finish

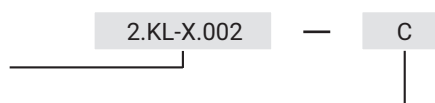


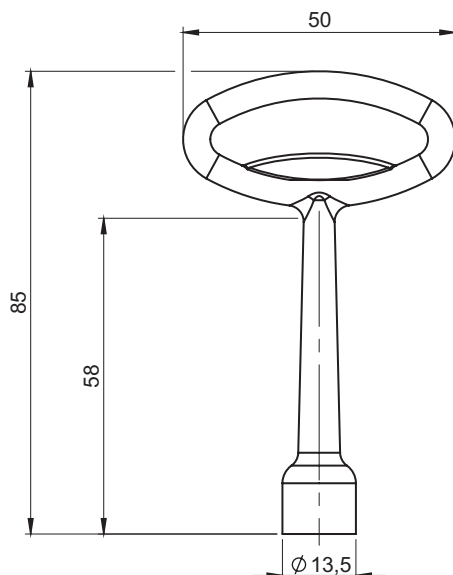
CATALOGUE NUMBER								MATERIAL			
2.KL-X.002								ZAMAK5			
Type of key [X]								Finish [C]			
								No finish	Chrome	Nickel	RAL 9005
T9	T10	KW6	KW7	KW8	KW8 zew	C9	D9	00	01	02	04

How to order:

Catalogue number, type o key [X]

Finish



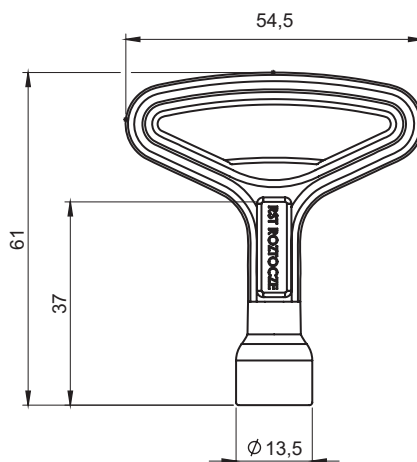
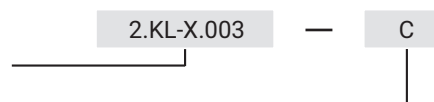


CATALOGUE NUMBER				MATERIAL			
2.KL-X.003				ZAMAK5			
Type of key [X]				Finish [C]			
				No finish	Chrome	Nickel	RAL 9005
D3	D5	T9	KW8	00	01	02	04

How to order:

Catalogue number, type o key [X]

Finish



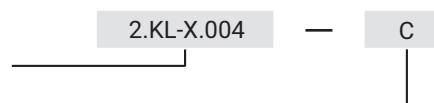
Possibility of making logo key on request.

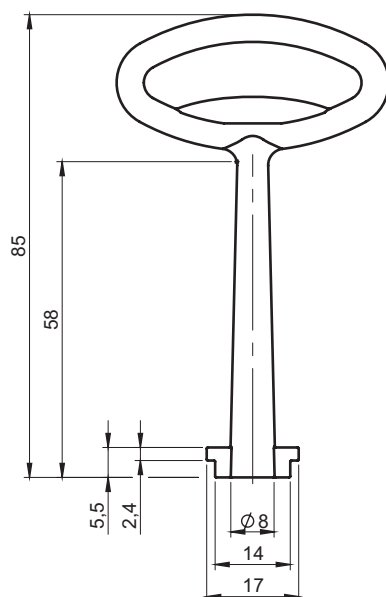
CATALOGUE NUMBER			MATERIAL			
2.KL-X.004			ZAMAK5			
Type of key [X]			Finish [C]			
			No finish	Chrome	Nickel	RAL 9005
D5	T9	KW8	00	01	02	04

How to order:

Catalogue number, type o key [X]

Finish



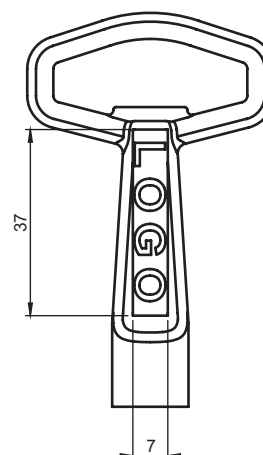
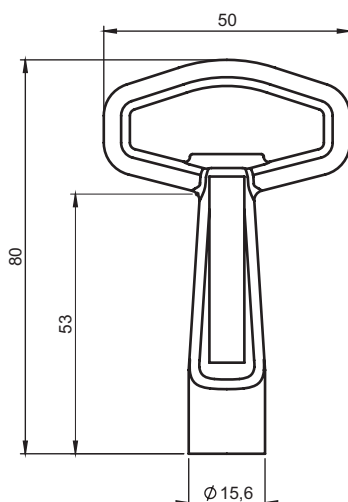
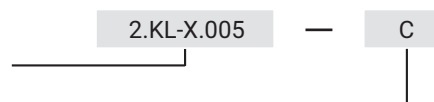


CATALOGUE NUMBER		MATERIAL			
2.KL-X.005		ZAMAK5			
Type of key [X]		Finish [C]			
		No finish	Chrome	Nickel	RAL 9005
D3S	D5S	00	01	02	04

How to order:

Catalogue number, type o key [X]

Finish



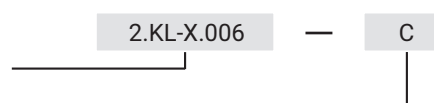
Possibility of making logo key on request.

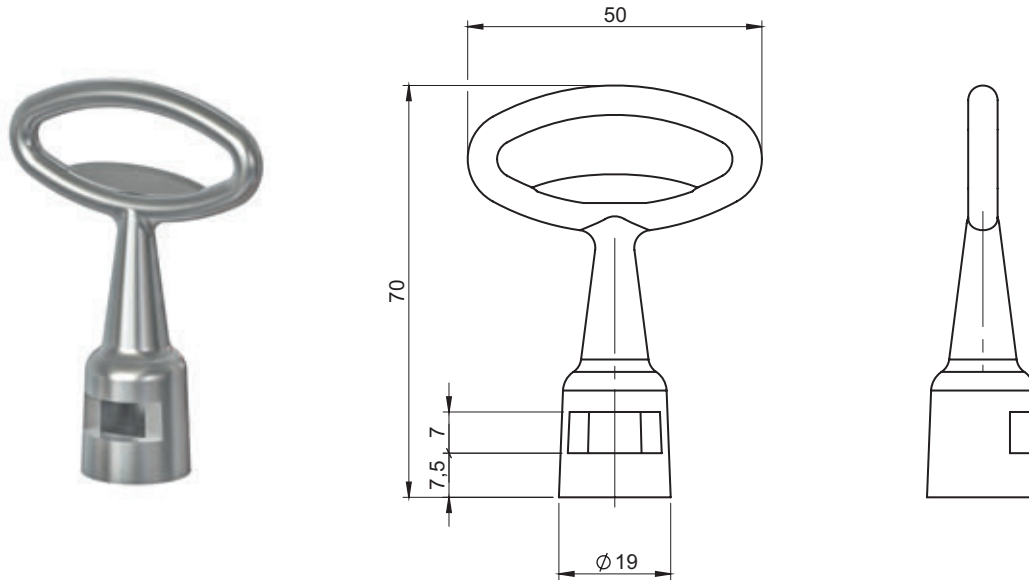
CATALOGUE NUMBER							MATERIAL			
2.KL-X.006							ZAMAK5			
Type of key [X]							Finish [C]			
							No finish	Chrome	Nickel	RAL 9005
KW8	T9	T10	T11	T12	T13	HEX9	00	01	02	04

How to order:

Catalogue number, type o key [X]

Finish





CATALOGUE NUMBER	MATERIAL	Type of key [X]	Finish [C]			
			No finish	Chrome	Nickel	RAL 9005
2.KL-X.007	ZAMAK5					
		D13S	00	01	02	04

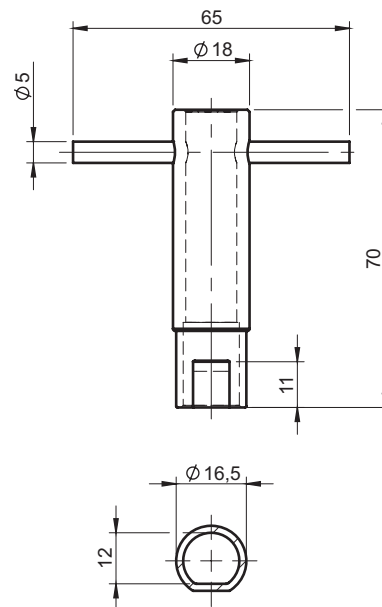
How to order:

Catalogue number, type o key [X]

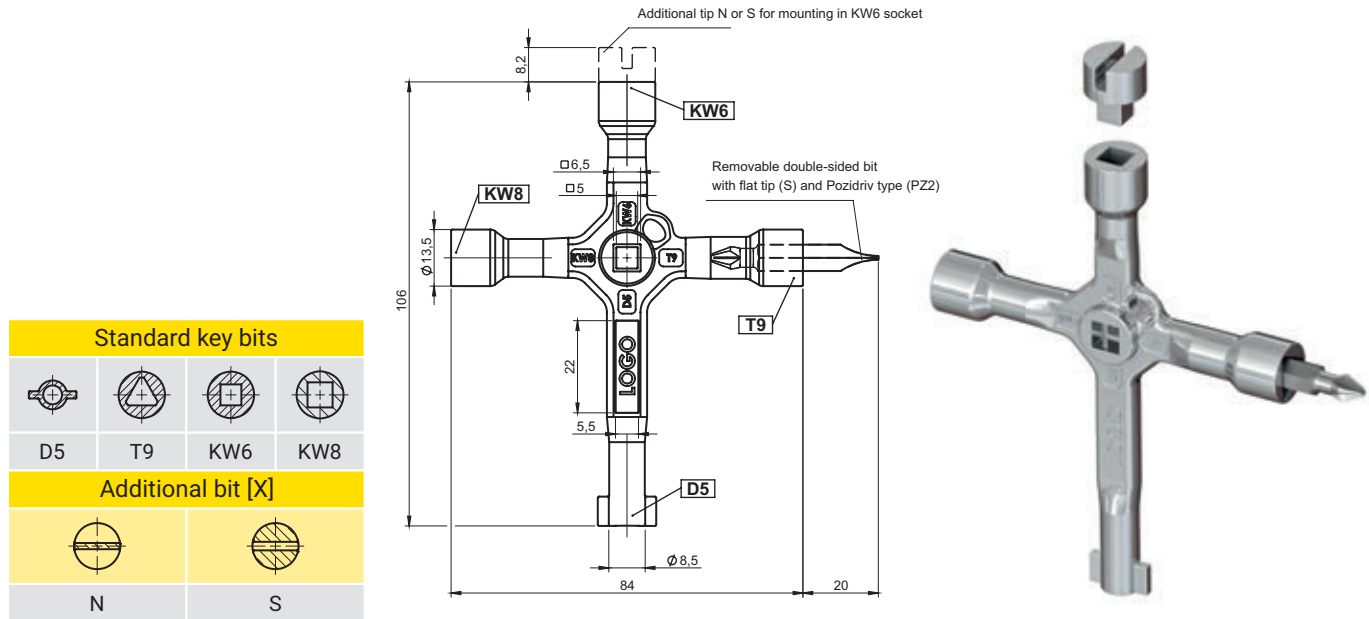
Finish

2.KL-D13S.007

C



CATALOGUE NUMBER	MATERIAL
2.KL-D13S.008	Steel zinc plated



Standard key bits			
D5	T9	KW6	KW8
Additional bit [X]			
N	S		

Removable double-sided bit with flat tip (S) and Pozidriv type (PZ2)
Key supplied with double bit, additional N or S bits ordered separately.

CATALOGUE NUMBER	COMPONENTS	MATERIAL	Finish [C]			
			No finish	Chrome	Nickel	RAL 9005
2.KL.009	Key, additional bits	ZAMAK5				
	Bit S / PZ2	Tool steel	00	01	02	04

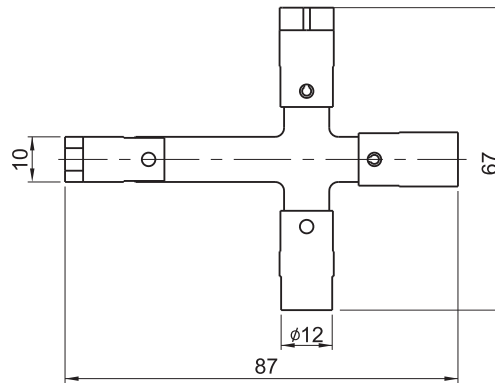
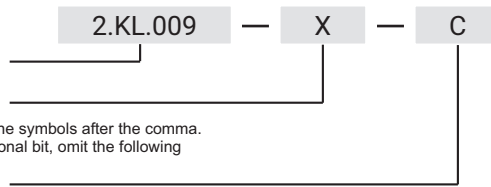
How to order :

Catalogue number

Additional bit

When ordering more than one, enter the symbols after the comma.
When ordering a key without an additional bit, omit the following

Finish [C]



Type of key [X]											
D3	D5	T6	T9	T10	KW6	KW7	KW8	N	C9	C	L
CATALOGUE NUMBER		COMPONENTS			MATERIAL						
2.KLT-WF.001		Tip			Steel zinc plated						
		Phillips			Stainless steel						

How to order :

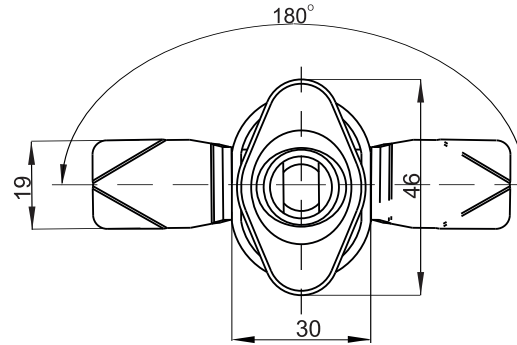
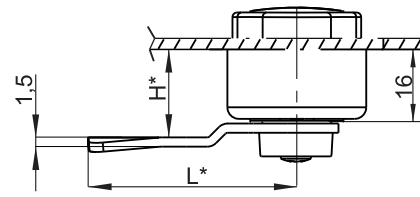
Catalogue number

Type of key

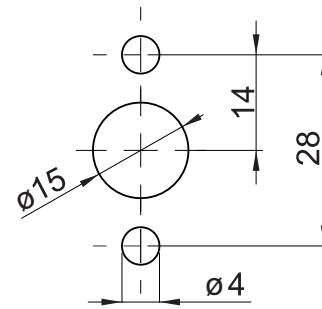




LOCK ZG



LOCK ZG AX



Cut Out

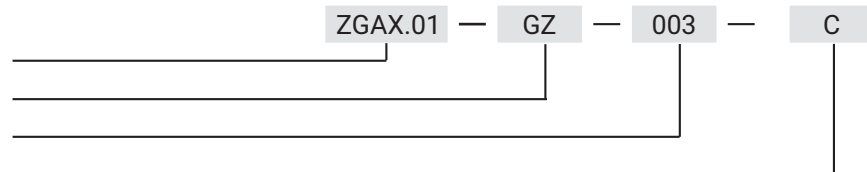
Table no. 1

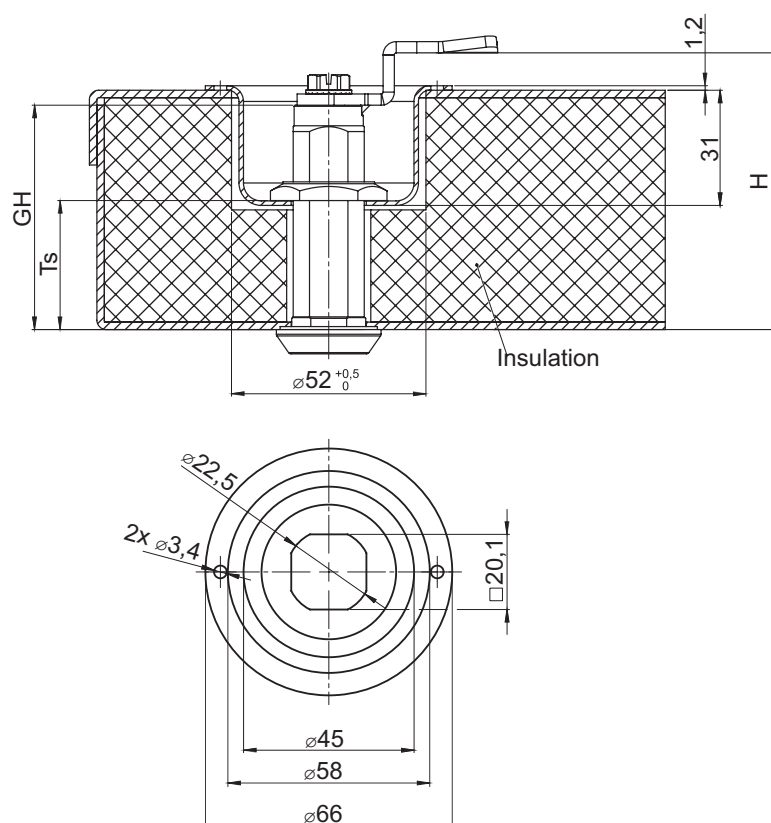
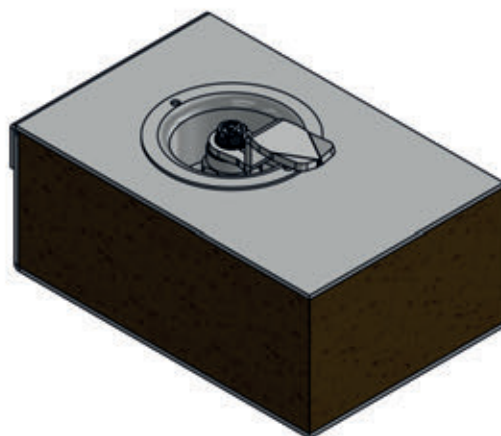
CAM CODE	H*	L*	INSERT [X]	
			001	16
002	16	45		
003	19	30		
004	19	45	GZ	N

TYPE OF LOCK	COMPONENTS	MATERIAL	FINISH [C]	
			RAL 9005	RAL 7035
	Housing, insert	Polyamide	07	08
	Blokade	Steel zinc plated	-	-
		Stainless steel	-	-

How to order :

- Type of lock
- Type of insert [X]
- Cam code
- Finish [C]





Fitted with locks M22 reducing the thickness of insulated doors
 Fitted with locks M22, M22-30, M22-60.
Ts - the thickness of the door.

CATALOGUE NO.	DETAIL	MATERIAL
2.920.001	Adapter	Zinc plated steel



X-ON Electronics

Largest Supplier of Electrical and Electronic Components

Click to view similar products for [Latches category](#):

Click to view products by [Roztocze manufacturer](#):

Other Similar products are found below :

[ML4875CS-5](#) [401639B](#) [716165RB](#) [74F373DW](#) [74LVC373ADTR2G](#) [74LVC573ADTR2G](#) [NL17SG373DFT2G](#) [NLV14044BDG](#) [5962-8863901RA](#) [NLV14042BDR2G](#) [GN 115-VDE-16](#) [74AHC573PW,118](#) [2.L18.001-21](#) [2.PM18.002-18](#) [2.PM18.006-18](#) [2.T18.001-21](#) [2.T18.002-18](#) [2.T18.006-18](#) [CQ/AA-KEY](#) [CQ/A-M22X1,5-45-28](#) [CQ/A-M22X1,5-45-32](#) [M22-2-D5-2-21-01-P](#) [CY74FCT2373CTSOC](#) [421283](#) [MM74HC373WM](#) [MM74HC573WM](#) [74LCX373MTC](#) [74LVT16373MTDX](#) [74VHC373MX](#) [KLD5.001-02](#) [Z-0233-827-15](#) [MIC58P01YV](#) [74AHCT573D.112](#) [74LCX16373MTDX](#) [CQ/A-M22X1,5-45-16](#) [CQ/A-M22X1,5-45-18](#) [CQ/A-M22X1,5-45-20](#) [CQ/A-M22X1,5-45-24](#) [CQ/A-M22X1,5-45-30](#) [CQT/A-32-18 AE-V0](#) [CQT/A-32 20-AE-V0](#) [CY54FCT841ATDMB](#) [Z-2106-25001-22](#) [2.904.005](#) [2.904.006](#) [2.904.008](#) [2.KLB-D5.001PA-07](#) [2.KLB-T9.001PA-07](#) [2.KL-T9.002-02](#) [2.L18.001-18](#)