

Low On Resistance/ Low Voltage 1 Ch 500 mA/ 1.0 A Alternative LDO

NO. EA-274-170324

OUTLINE

The RP115x is a CMOS-based positive voltage regulator featuring 500 mA/ 1.0 A that provides high ripple rejection, low dropout voltage, high output voltage accuracy, and low supply current. Internally, it consists of a voltage reference unit, an error amplifier, a resistor-net for output voltage setting, a current limit circuit, a thermal shutdown circuit, and a reverse current protection circuit. The RP115x uses a CMOS process for achieving low supply current, low On Resistance for low dropout voltage (Typ. 0.195 V (DFN1216-8, $I_{OUT} = 1.0$ A, $V_{SET} = 1.2$ V)) and CE function for long battery life. Excellent ripple rejection, input transient response, and load transient response make the RP115x ideal for the power sources of mobile communication equipment. The RP115x is available in the DFN1216-8 package for space saving and the SOT-89-5 (Output Current: 1.0 A fixed) package for higher power applications. The RP115L (DFN1216-8) can choose the output current limit between 1.0 A or 500 mA by alternating the LCON pin between "H" or "L". The RP115H (SOT-89-5) can output only 1.0 A since it does not include the LCON pin.

FEATURES

- Supply CurrentTyp. 110 μ A
- Supply Current (Standby Mode)Typ. 0.5 μ A
- Dropout VoltageTyp. 0.195 V (DFN1216-8: $I_{OUT} = 1.0$ A, $V_{SET} = 1.2$ V)
Typ. 0.235 V (SOT-89-5: $I_{OUT} = 1.0$ A, $V_{SET} = 1.2$ V)
- Ripple RejectionTyp. 80 dB ($f = 1$ kHz, $V_{SET} \leq 1.8$ V)
Typ. 75 dB ($f = 1$ kHz, $V_{SET} > 1.8$ V)
- Output Voltage Accuracy $\pm 1.0\%$ ($V_{SET} \geq 1.75$ V)
- Output Voltage Temperature CoefficientTyp. ± 30 ppm/ $^{\circ}$ C ($V_{SET} \geq 1.75$ V)
- Line RegulationTyp. 0.02%/V
- PackageDFN1216-8, SOT-89-5
- Output Voltage Range0.7 V to 4.3 V with a 0.1-V step⁽¹⁾
- Built-in Short Current Limit CircuitTyp. 60 mA (DFN1216-8: LCON = "L")
- Built-in Peak Current Limit
- Built-in Thermal Shutdown CircuitThermal Shutdown Temperature: 165 $^{\circ}$ C
- Built-in Constant Slope Circuit for Start-up
- Built-in Inrush Current Suppression CircuitTyp. 300 mA (DFN1216-8: LCON = "L")
- Reverse Current Protection
- Recommended Ceramic Capacitors1.0 μ F or more

⁽¹⁾ For the output voltage with a 0.05-V step, refer to *SELECTION GUIDE*.

RP115x

NO. EA-274-170324

APPLICATIONS

- Portable Communication Equipment
- Electrical Appliances such as Cameras, VCRs and Camcorders
- Battery-powered Equipment
- Home Appliances, Printers, Scanners, Office Equipment Machines

SELECTION GUIDE

The package type, the set output voltage and the auto-discharge⁽¹⁾ are user-selectable options.

Selection Guide

Product Name	Package	Quantity per Reel	Pb Free	Halogen Free
RP115Lxx1*-E2	DFN1216-8	5,000 pcs	Yes	Yes
RP115Hxx1*-T1-FE	SOT-89-5	1,000 pcs	Yes	Yes

xx: Specify the set output voltage (V_{SET}) within the range of 0.7 V to 4.3 V with a 0.1 V step.

Specify V_{SET} with a 0.05 V step as follows:

0.75 V: RP115x071*5

1.15 V: RP115x111*5

1.25 V: RP115x121*5

1.35 V: RP115x131*5

1.75 V: RP115x171*5

1.85 V: RP115x181*5

2.15 V: RP115x211*5

2.75 V: RP115x271*5

2.85 V: RP115x281*5

2.95 V: RP115x291*5

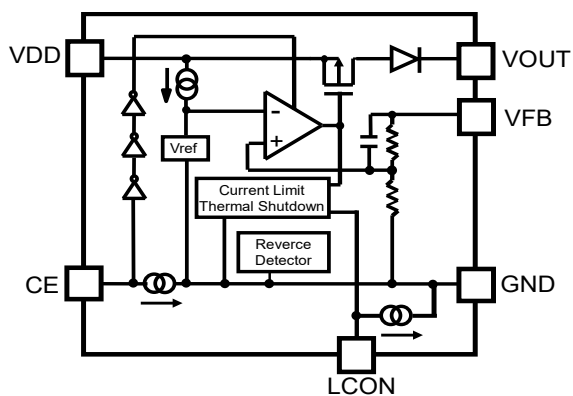
*: Specify the CE pin polarity and the auto-discharge.

B: CE = Active-high, auto-discharge not included

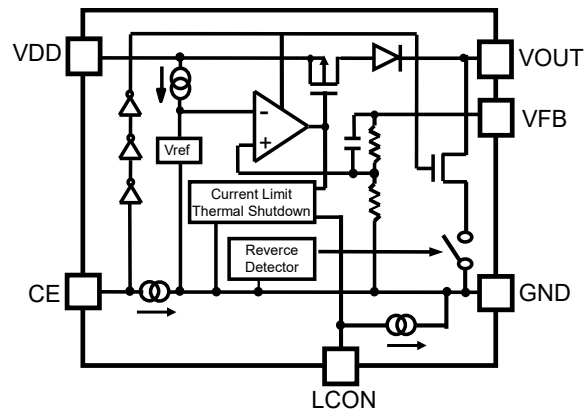
D: CE = Active-high, auto-discharge included

⁽¹⁾ Auto-discharge function quickly lowers the output voltage to 0 V by releasing the electrical charge in the external capacitor when the chip enable signal is switched from the active mode to the standby mode.

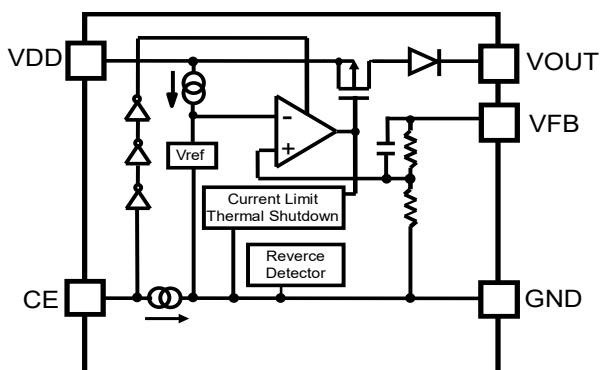
BLOCK DIAGRAMS



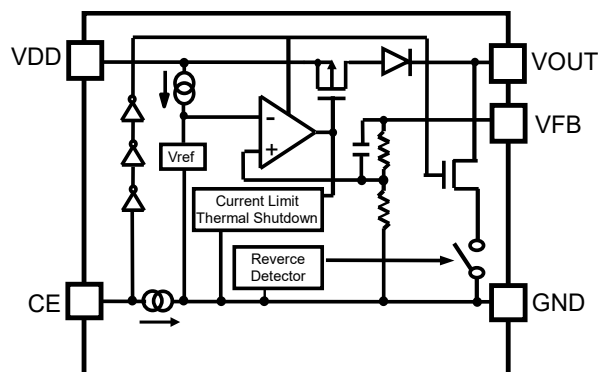
RP115Lxx1B Block Diagram



RP115Lxx1D Block Diagram



RP115Hxx1B⁽¹⁾ Block Diagram



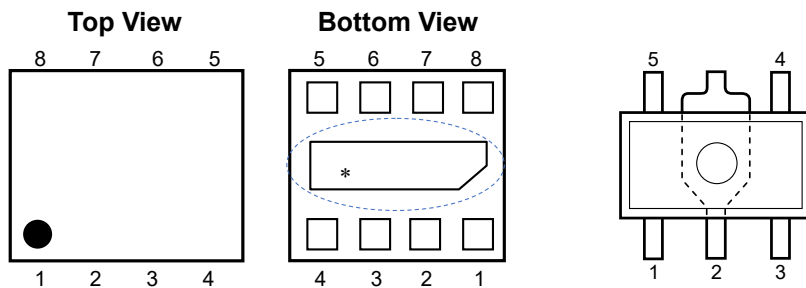
RP115Hxx1D Block Diagram

⁽¹⁾ The RP115H does not have the LCON pin, so the output current limit is fixed at 1 A.

RP115x

NO. EA-274-170324

PIN DESCRIPTION



DFN1216-8 Pin Configuration

SOT-89-5 Pin Configuration

RP115L: DFN1216-8

Pin No	Symbol	Pin Description
1	VOU ⁽¹⁾	Output Pin
2	VOU ⁽¹⁾	Output Pin
3	LCON	Output Current Limit Alternate Pin
4	VFB ⁽¹⁾	Feedback Pin
5	GND	Ground Pin
6	CE	Chip Enable Pin
7	VDD ⁽²⁾	Input Pin
8	VDD ⁽²⁾	Input Pin

* The tab on the bottom of the package shown by blue circle is a substrate potential (GND). It is recommended that this tab be connected to the ground plane on the board but it is possible to leave the tab floating.

RP115H⁽³⁾: SOT-89-5

Pin No	Symbol	Pin Description
1	VFB ⁽¹⁾	Feedback Pin
2	GND	Ground Pin
3	CE	Chip Enable Pin
4	VDD	Input Pin
5	VOU ⁽¹⁾	Output Pin

⁽¹⁾ The VOU pin and the VFB pin must be wired together when mounting on the board.

⁽²⁾ The VDD pins must be wired together when mounting on the board.

⁽³⁾ The output current limit is fixed at 1 A.

ABSOLUTE MAXIMUM RATINGS

Absolute Maximum Ratings

Symbol	Item	Rating		Unit
V _{IN}	Input Voltage	6.0		V
V _{CE}	Input Voltage (CE Pin)	-0.3 to 6.0		V
V _{LCON}	Input Voltage (LCON Pin)	-0.3 to 6.0		V
V _{OUT}	Output Voltage	-0.3 to 6.0		V
P _D	Power Dissipation ⁽¹⁾ (Standard Land Pattern)	DFN1216-8	625	mW
		SOT-89-5	900	
T _j	Junction Temperature Range	-40 to 125		°C
T _{stg}	Storage Temperature Range	-55 to 125		°C

ABSOLUTE MAXIMUM RATINGS

Electronic and mechanical stress momentarily exceeded absolute maximum ratings may cause the permanent damages and may degrade the life time and safety for both device and system using the device in the field. The functional operation at or over these absolute maximum ratings is not assured.

RECOMMENDED OPERATING CONDITIONS

Recommended Operating Conditions

Symbol	Item	Rating	Unit
V _{IN}	Input Voltage ⁽²⁾	1.4 to 5.25	V
T _a	Operating Temperature Range	-40 to 85	°C

RECOMMENDED OPERATING CONDITIONS

All of electronic equipment should be designed that the mounted semiconductor devices operate within the recommended operating conditions. The semiconductor devices cannot operate normally over the recommended operating conditions, even if when they are used over such conditions by momentary electronic noise or surge. And the semiconductor devices may receive serious damage when they continue to operate over the recommended operating conditions.

⁽¹⁾ Refer to *POWER DISSIPATION* for detailed information.

⁽²⁾ In case of operating the device beyond 5.25 V, do not exceed 5.5 V with 500 total operating hours.

RP115x

NO. EA-274-170324

ELECTRICAL CHARACTERISTICS

$V_{IN} = V_{SET}^{(1)} + 1.0 \text{ V}$, $I_{OUT} = 1 \text{ mA}$, $C_{IN} = C_{OUT} = 1.0 \mu\text{F}$, unless otherwise noted.

The specifications surrounded by are guaranteed by design engineering at $-40^\circ\text{C} \leq T_a \leq 85^\circ\text{C}$.

RP115x Electrical Characteristics

($T_a = 25^\circ\text{C}$)

Symbol	Item	Conditions	Min.	Typ.	Max.	Unit	
V_{OUT}	Output Voltage	$T_a = 25^\circ\text{C}$	$V_{SET} \geq 1.75 \text{ V}$	x0.99		x1.01	V
			$V_{SET} < 1.75 \text{ V}$	-18		+18	mV
		$-40^\circ\text{C} \leq T_a \leq 85^\circ\text{C}$	$V_{SET} \geq 1.75 \text{ V}$	x 0.985		x 1.015	V
			$V_{SET} < 1.75 \text{ V}$	Refer to <i>Set Output Voltage-specific Output Voltage Characteristics</i> .			
I_{LIM}	Output Current Limit	$V_{IN} = V_{SET} + 0.5 \text{ V}$	LCON = "L"	500			mA
			LCON = "H" ⁽²⁾	1.0			A
$\frac{\Delta V_{OUT}}{\Delta I_{OUT}}$	Load Regulation	$V_{IN} = V_{SET} + 0.5 \text{ V}$ $1 \text{ mA} \leq I_{OUT} \leq 500 \text{ mA}$	LCON = "L"		1	20	mV
			LCON = "H" ⁽²⁾			40	
V_{DIF}	Dropout Voltage	Refer to <i>Set Output Voltage-specific Dropout Voltage Characteristics</i> .					
I_{SS}	Supply Current	$I_{OUT} = 0 \text{ mA}$		110	160	μA	
$I_{standby}$	Standby Current	$V_{CE} = 0 \text{ V}$		0.5	3.0	μA	
$\frac{\Delta V_{OUT}}{\Delta V_{IN}}$	Line Regulation	$V_{SET} + 0.5 \text{ V} \leq V_{IN} \leq 5.25 \text{ V}$ ($V_{IN} \geq 1.4 \text{ V}$)		0.02	0.10	%/V	
RR	Ripple Rejection	$f = 1 \text{ kHz}$, Ripple 0.2 V_{p-p} , $V_{IN} = V_{SET} + 1.0 \text{ V}$, $I_{OUT} = 30 \text{ mA}$	$V_{SET} > 1.8 \text{ V}$		75		dB
			$V_{SET} \leq 1.8 \text{ V}$		80		dB
$\frac{\Delta V_{OUT}}{\Delta T_a}$	Output Voltage Temperature Coefficient	$-40^\circ\text{C} \leq T_a \leq 85^\circ\text{C}$	$V_{SET} \geq 1.75 \text{ V}$		± 30		ppm/ °C
			$V_{SET} < 1.75 \text{ V}$		± 100		
I_{SC}	Short Current Limit	$V_{OUT} = 0 \text{ V}^{(3)}$	LCON = "L"		60		mA
			LCON = "H" ⁽²⁾		110		
I_{CE}	CE Pull-down Current		0.05	0.3	0.6	μA	
V_{CEH}	CE Input Voltage "H"		1.0			V	
V_{CEL}	CE Input Voltage "L"				0.4	V	
I_{LCON}	LCON Pull-down Current (RP115L only)		0.05	0.3	0.6	μA	

(1) V_{SET} : Set Output Voltage

(2) The electrical characteristics of the RP115H is as same as when LCON = "H".

(3) The short current limit is the value when the V_{OUT} pin is short circuited to GND after the device is completely started up. The inrush current flows when the V_{OUT} pin is short circuited to GND while the V_{OUT} pin is short-circuited to GND before the device is completely started up.

ELECTRICAL CHARACTERISTICS (continued)

$V_{IN} = V_{SET}^{(1)} + 1.0\text{ V}$, $I_{OUT} = 1\text{ mA}$, $C_{IN} = C_{OUT} = 1.0\text{ }\mu\text{F}$, unless otherwise noted.

The specifications surrounded by are guaranteed by design engineering at $-40^{\circ}\text{C} \leq T_a \leq 85^{\circ}\text{C}$.

RP115x Electrical Characteristics

($T_a = 25^{\circ}\text{C}$)

Symbol	Item	Conditions	Min.	Typ.	Max.	Unit
V_{LCONH}	LCON Input Voltage "H" (RP115L only)		1.0			V
V_{LCONL}	LCON Input Voltage "L" (RP115L only)				0.4	V
T_{TSD}	Thermal Shutdown Temperature Threshold	T_j , Rising		165		$^{\circ}\text{C}$
T_{TSR}		T_j , Falling		110		$^{\circ}\text{C}$
I_{REV}	Reverse Current	$V_{OUT} = V_{SET} + 1.0\text{ V}$ $0 \leq V_{IN} \leq V_{OUT}$	$V_{SET} \geq 1.75\text{ V}$	7.5		μA
			$V_{SET} < 1.75\text{ V}$	10		
$V_{REV_DET}^{(2)}$	Detection Offset Voltage in Reverse Current Protection Mode ⁽³⁾	$V_{OUT} \geq 0.7\text{ V}$, $0 \leq V_{IN} \leq 5.25\text{ V}$		20		mV
$V_{REV_REL}^{(4)}$	Release Offset Voltage in Reverse Current Protection Mode ⁽³⁾	$V_{OUT} \geq 0.7\text{ V}$, $0 \leq V_{IN} \leq 5.25\text{ V}$		30	50	mV
en	Output Noise	BW = 10 Hz to 100 kHz	$V_{SET} \geq 1.75\text{ V}$	17		μVrms
			$V_{SET} < 1.75\text{ V}$	$35 \times V_{SET}$		
R_{LOW}	Auto-discharge Nch Tr. On- resistance (RP115xx1D only)	$V_{IN} = 4.0\text{ V}$, $V_{CE} = 0\text{ V}$		60		Ω
I_{RUSH}	Inrush Current Limit	CC mode ⁽⁵⁾	LCON = "L"	300		mA
			LCON = "H" ⁽⁶⁾	500		

All test items listed under *Electrical Characteristics* are done under the pulse load condition ($T_j \approx T_a = 25^{\circ}\text{C}$) except Output Noise, Ripple Rejection, and Output Voltage Temperature Coefficient.

⁽¹⁾ V_{SET} : Set Output Voltage

⁽²⁾ $V_{REV_DET} = V_{IN} - V_{OUT}$

⁽³⁾ The guaranteed operating voltage range of the reverse current protection circuit is $V_{OUT} \geq 0.7\text{ V}$. When $V_{IN} = V_{OUT} = 0\text{ V}$, the reverse current protection mode is constantly active.

⁽⁴⁾ $V_{REV_REL} = V_{IN} - V_{OUT}$

⁽⁵⁾ For detailed information, refer to *Start-up Characteristics Using Constant Slope Circuit*.

⁽⁶⁾ The electrical characteristics of the RP115H is as same as when LCON = "H".

RP115x

NO. EA-274-170324

Set Output Voltage-specific Output Voltage Characteristics

Set Output Voltage V_{SET} (V)	Output Voltage V_{OUT} (mV)	
	Min.	Max.
0.7	-33	+28
0.8	-35	+29
0.9	-37	+30
1.0	-39	+31
1.1	-41	+33
1.2	-43	+34
1.3	-45	+35
1.4	-47	+36
1.5	-49	+38
1.6	-51	+39
1.7	-53	+40

Set Output Voltage-specific Dropout Voltage Characteristics

RP115L: DFN1216-8

(Ta = 25°C)

Set Output Voltage V_{SET} (V)	Dropout Voltage V_{DIF} (V)					
	RP115L				RP115H	
	$I_{OUT} = 500$ mA		$I_{OUT} = 1000$ mA		$I_{OUT} = 1000$ mA	
	Typ.	Max.	Typ.	Max.	Typ.	Max.
$0.7 \leq V_{SET} < 1.1$	*	*	*	*	*	*
$1.1 \leq V_{SET} < 1.2$	*	*	*	0.300	*	0.350
$1.2 \leq V_{SET} < 1.3$	*	*	0.195	0.275	0.235	0.330
$1.3 \leq V_{SET} < 1.5$	0.095	0.135	0.185	0.260	0.225	0.320
$1.5 \leq V_{SET} < 1.75$	0.085	0.120	0.165	0.235	0.205	0.295
$1.75 \leq V_{SET} < 2.6$	0.075	0.110	0.150	0.215	0.190	0.270
$2.6 \leq V_{SET} < 3.3$	0.065	0.090	0.130	0.180	0.170	0.240
$3.3 \leq V_{SET} \leq 4.3$	0.060	0.085	0.125	0.170	0.165	0.225

If the dropout voltage falls below the release offset value of reverse current protection mode (V_{REV_REL}), the reverse current protection circuit may repeat the detection and release operations. Please refer to Reverse Current Protection Circuit.

* Input voltage should be equal or more than the minimum operating voltage (1.4 V).

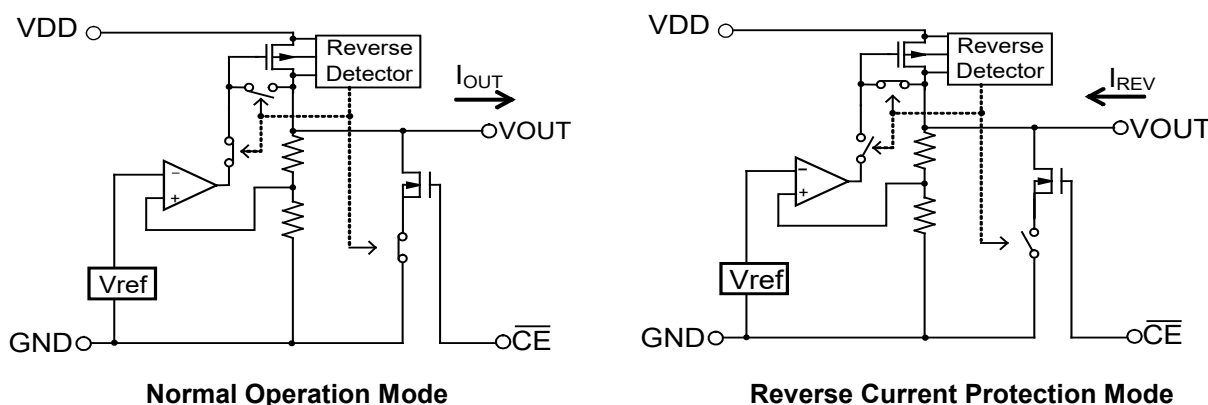
THEORY OF OPERATION

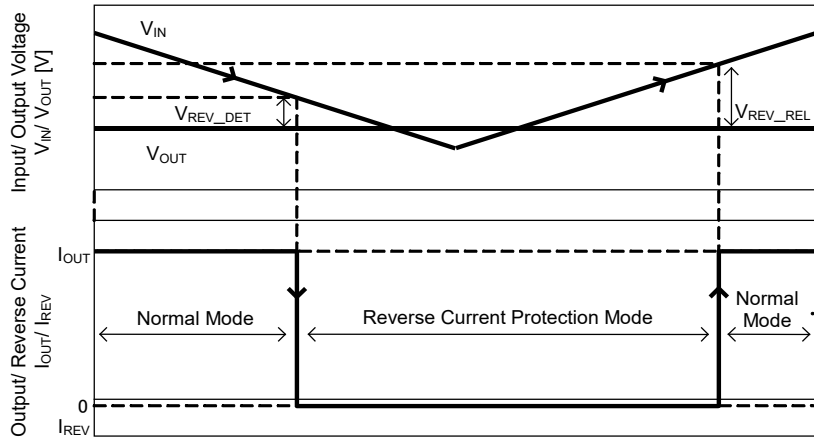
Reverse Current Protection Circuit

The RP115x includes a Reverse Current Protection Circuit, which stops the reverse current from V_{OUT} pin to V_{DD} pin or to GND pin when V_{OUT} becomes higher than V_{IN} . Usually, the LDO using Pch output transistor contains a parasitic diode between V_{DD} pin and V_{OUT} pin. Therefore, if V_{OUT} is higher than V_{IN} , the parasitic diode becomes forward direction. As a result, the current flows from V_{OUT} pin to V_{DD} pin. The RP115x switches the mode to the reverse current protection mode before V_{IN} becomes lower than V_{OUT} by connecting the parasitic diode of Pch output transistor to the backward direction, and connecting the gate to V_{OUT} pin. As a result, the Pch output transistor is turned off. However, from V_{OUT} pin to GND pin, via the internal divider resistors, very small current I_{REV} flows.

Switching to either the normal mode or to the reverse current protection mode is determined by the magnitude of V_{IN} voltage and V_{OUT} voltage. For the stable operation, offset and hysteresis are set as the threshold. The detector threshold is set to V_{REV_DET} and the released voltage is set to V_{REV_REL} . Therefore, the minimum dropout voltage under the small load current condition is restricted by the value of V_{REV_REL} .

Following figures show the diagrams of each mode, and the load characteristics of each mode. When giving the V_{OUT} pin a constant-voltage and decreasing the V_{IN} voltage, the dropout voltage will become lower than V_{REV_DET} . As a result, the reverse current protection starts to function to stop the load current. By increasing the dropout voltage higher than V_{REV_REL} , the protection mode will be released to let the load current to flow. If the dropout voltage to be used is lower than V_{REV_REL} , the detection and the release may be repeated. The operating voltage guaranteed level of the reverse current protection circuit is for $V_{OUT} \geq 0.7V$. If $V_{IN}=0V$, the reverse current protection mode becomes always active.





Detection/ Release Timing of Reverse Current Protection

Start-up Characteristics Using Constant Slope Circuit

Constant slope circuit is included in the RP115x to prevent the overshoot of the output voltage. The start-up time (t_{ON}) is 100 μ s (Typ.). If inrush current increases due to the large capacitance of C_{OUT} , the operation mode will be shifted from Constant Slope (CS) mode to Constant Current (CC) mode. The CC mode maintains a constant level of inrush current. In the CC mode, t_{ON} varies according to the size of C_{OUT} and the amount of load current.

Start-up Time and Inrush Current Estimations

Start-up time and inrush current in the CS mode and the CC mode can be estimated as follows.

[CS Mode]

Start-up Time: $t_{ON} = 100 \mu$ s (Typ.)

Inrush Current: $I_{RUSH} = C_{OUT} \cdot V_{SET} / t_{ON} + I_{OUT}^{(1)}$

Note: If the result of the above calculation is more than the following values, the operation mode will be shifted from the CS mode to the CC mode.

LCON = "L" 300 mA (Typ.)

LCON = "H" 500 mA (Typ.)

[CC Mode]

Start-up Time: $t_{ON} = C_{OUT} \cdot V_{SET} / I_{CO}^{(2)}$

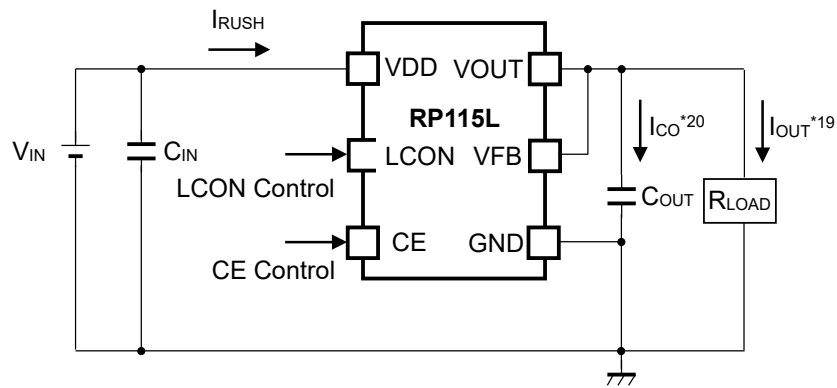
Inrush Current: I_{RUSH}

LCON = "L" 300 mA (Typ.)

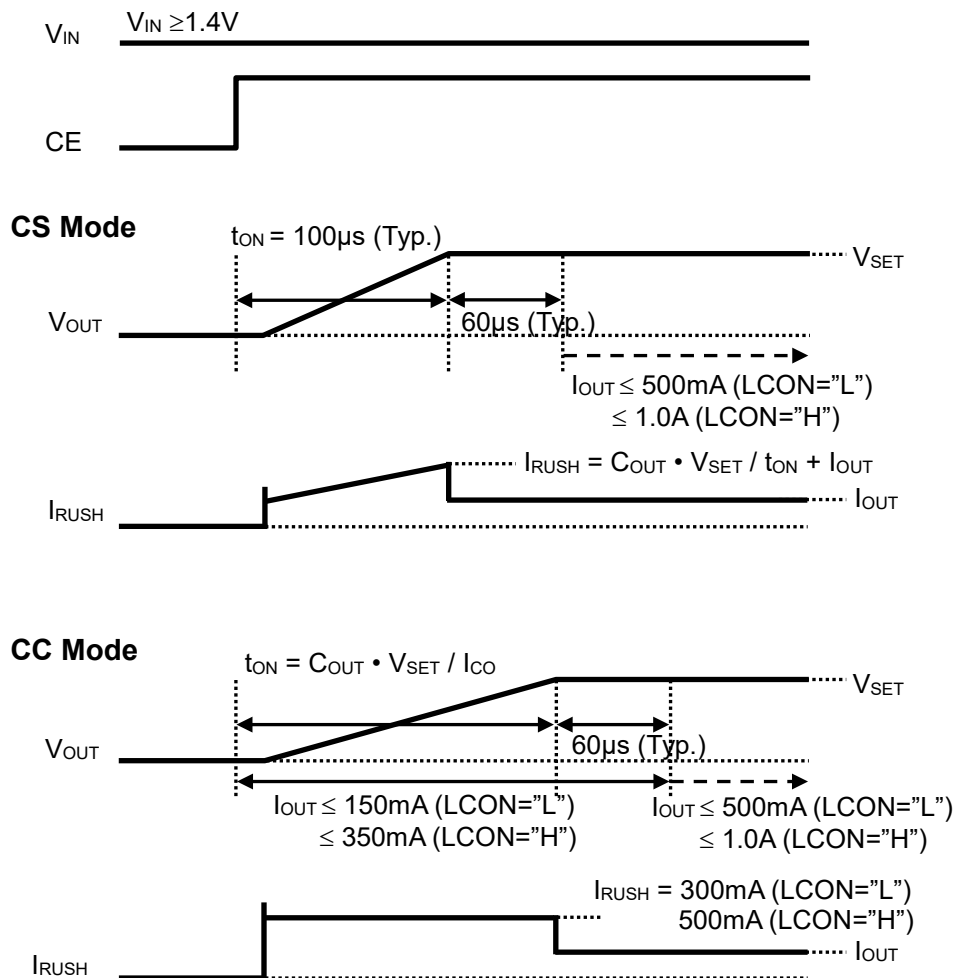
LCON = "H" 500 mA (Typ.)

⁽¹⁾ I_{OUT} : When R_{LOAD} is connected to load, I_{OUT} can be calculated by $R_{LOAD} = V_{SET} / I_{OUT}$.

⁽²⁾ I_{CO} : I_{CO} is a charge current of C_{OUT} and can be calculated roughly by $I_{RUSH} \approx I_{CO} + I_{OUT}$.



Circuit Example



Timing Chart of Start-up Operation

RP115x

NO. EA-274-170324

Precautions before Use

During the start-up, the inrush current limit circuit is in operation; therefore, the load current (I_{OUT}) should be drawn after the output voltage (V_{OUT}) reached the preset value (Best timing: $t_{ON} + 60 \mu s$ or more). If the load current is drawn during the start-up, it should be within the following values.

LCON = "L" $I_{OUT} \leq 150 \text{ mA}$ LCON = "H" $I_{OUT} \leq 350 \text{ mA}$

In the CC mode, I_{RUSH} is limited until V_{OUT} reaches the preset value. $I_{RUSH} \approx I_{CO} + I_{OUT}$ is true; therefore, if large I_{OUT} is drawn during the start-up, the charge current (I_{CO}) of C_{OUT} decreases and t_{ON} becomes longer. Please refer to *Start-up Time and Inrush Current Estimations*.

In order to control the start-up operation by using the CS mode or CC mode, input "H" into the CE pin while $V_{IN} \geq 1.4 \text{ V}$. If "H" is input into the CE pin while V_{IN} is less than the minimum operating voltage, the operation may not be controlled by the CS mode or CC mode.

When starting up the device while the short circuit is occurring between the V_{OUT} pin and GND, the short current protection circuit does not control the current but the current limit circuit does.

When there's excessive heat generation in the device, thermal shutdown circuit shuts down the circuitry before the device overheats dangerously.

LCON Pin (RP115L only)

By alternating the LCON pin between "H" or "L", the RP115L can choose the output current limit either 1.0 A or 500 mA. Please note that during start-up ($t_{ON} + 60 \mu s$ (Typ.)), do not change the logic of the LCON pin.

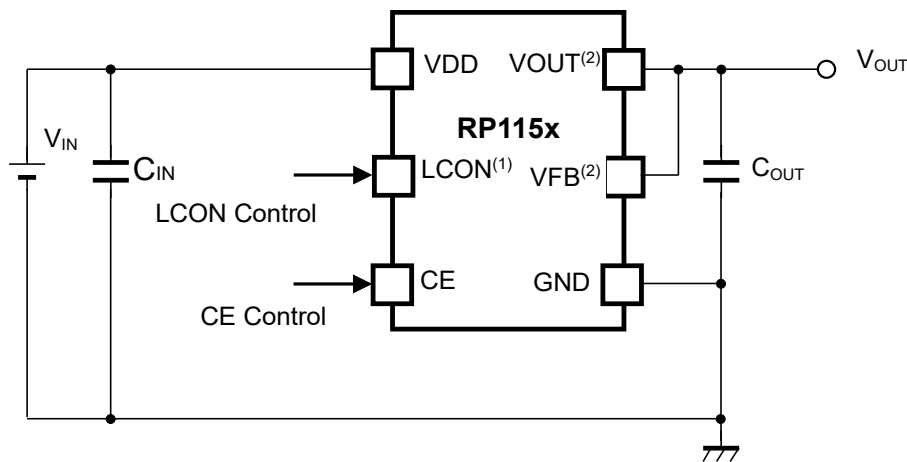
LCON = "L" 500 mA

LCON = "H" 1.0 A

Application Example

Even when using the RP115L with LCON = "H", I_{RUSH} in the CC mode can be reduced from 500 mA (Typ.) to 300 mA (Typ.) by starting up the IC with LCON = "L". Please refer to *Start-up Characteristics Using Constant Slope Circuit*.

APPLICATION INFORMATION



RP115x Typical Application Circuit

External Components

Symbol	Description
C _{IN}	1.0 μF, Ceramic Capacitor, GRM155R61A105KE15 (MURATA)
C _{OUT}	1.0 μF, Ceramic Capacitor, GRM155R61A105KE15 (MURATA) 2.2 μF, Ceramic Capacitor, GRM155R61A225KE95 (MURATA)

Precautions When Selecting External Components

- In this device, phase compensation is provided to secure stable operation even when the load current is varied. For this purpose, use a 1.0-μF or more output capacitor (C_{OUT}).
- A ceramic capacitor has different temperature characteristics and bias dependencies depending on the size, manufacturer or part number of a capacitor. Careful evaluation is required. When using a 1.75-V product under the environment of -20°C or lower, choose a 2.2-μF or more C_{OUT}.
- In case of using a tantalum-type capacitor with a large ESR (Equivalent Series Resistance), the output might become unstable. Careful evaluation on frequency characteristics is required.

⁽¹⁾ The LCON pin is included in the RP115L (DFN2020-8B) only.

⁽²⁾ Connect the VOUT and VFB pins together.

RP115x

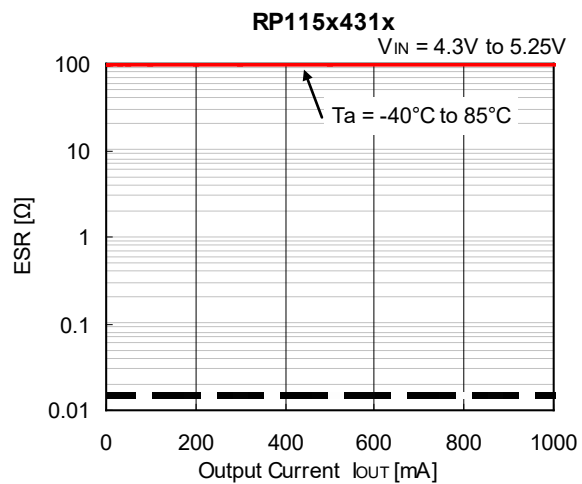
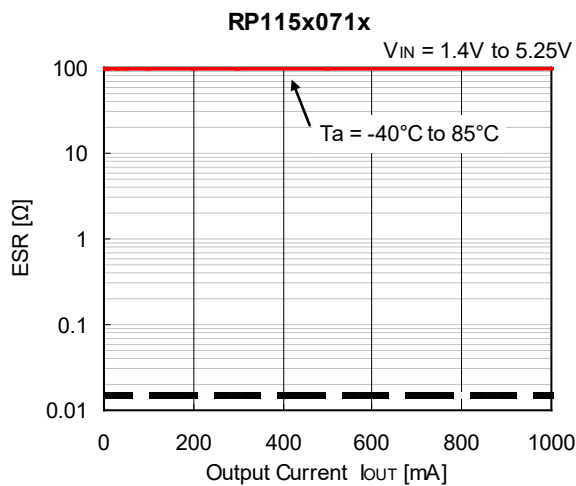
NO. EA-274-170324

Equivalent Series Resistance (ESR) vs. Output Current

Ceramic type output capacitor is recommended for the RP115x but any capacitor with low ESR can be used. The graphs below show the relation between I_{OUT} and ESR (noise level: average 40 μ V or less).

Measurement Conditions

- Noise Frequency Band Width: 10 Hz to 2 MHz
- Operating Temperature Range: -40°C to $+85^{\circ}\text{C}$
- Hatched Area: Output noise level is average 40 μ V or less.
- C_{IN} , C_{OUT} : 1.0 μ F or more



TECHNICAL NOTES

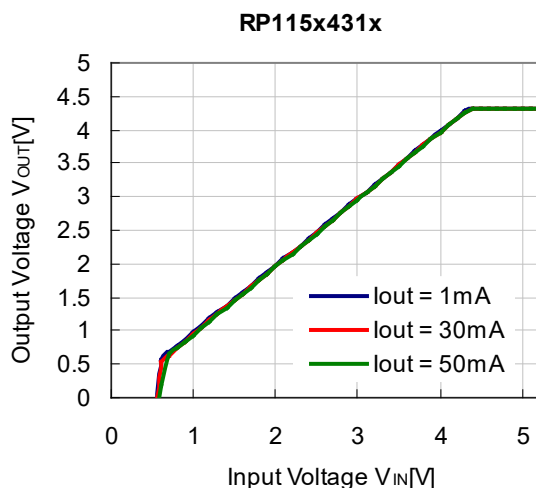
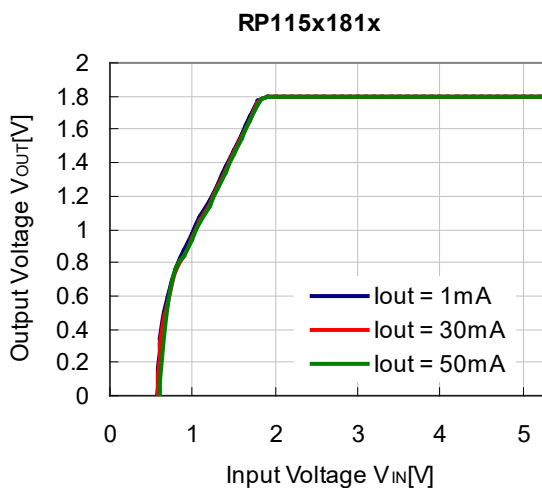
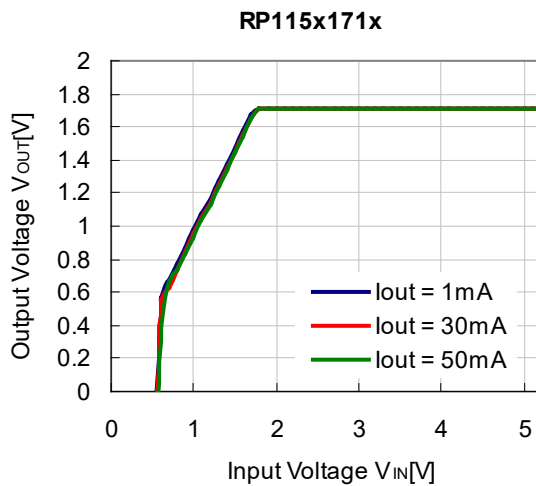
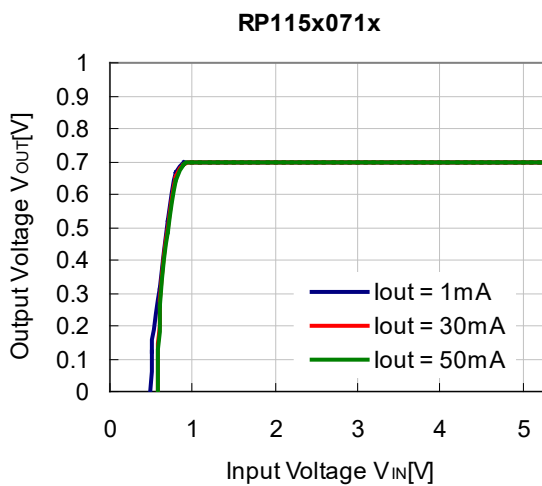
The performance of a power source circuit using this device is highly dependent on a peripheral circuit. A peripheral component or the device mounted on PCB should not exceed its rated voltage, rated current or rated power. When designing a peripheral circuit, please be fully aware of the following points.

- Place the external components as close as possible to the device with shortest-distance wirings. Connect an input capacitor (C_{IN}) between the V_{IN} and GND pins with shortest-distance wiring.
- Ensure the VDD and GND wirings are sufficiently robust. If the impedance of wiring between the VDD and GND pins is high, it may cause noise pickup or unstable operation.
- Connect an output capacitor (C_{OUT}) between the V_{OUT} and GND pins with shortest-distance wiring.

TYPICAL CHARACTERISTICS

Note: Typical Characteristics are intended to be used as reference data; they are not guaranteed.

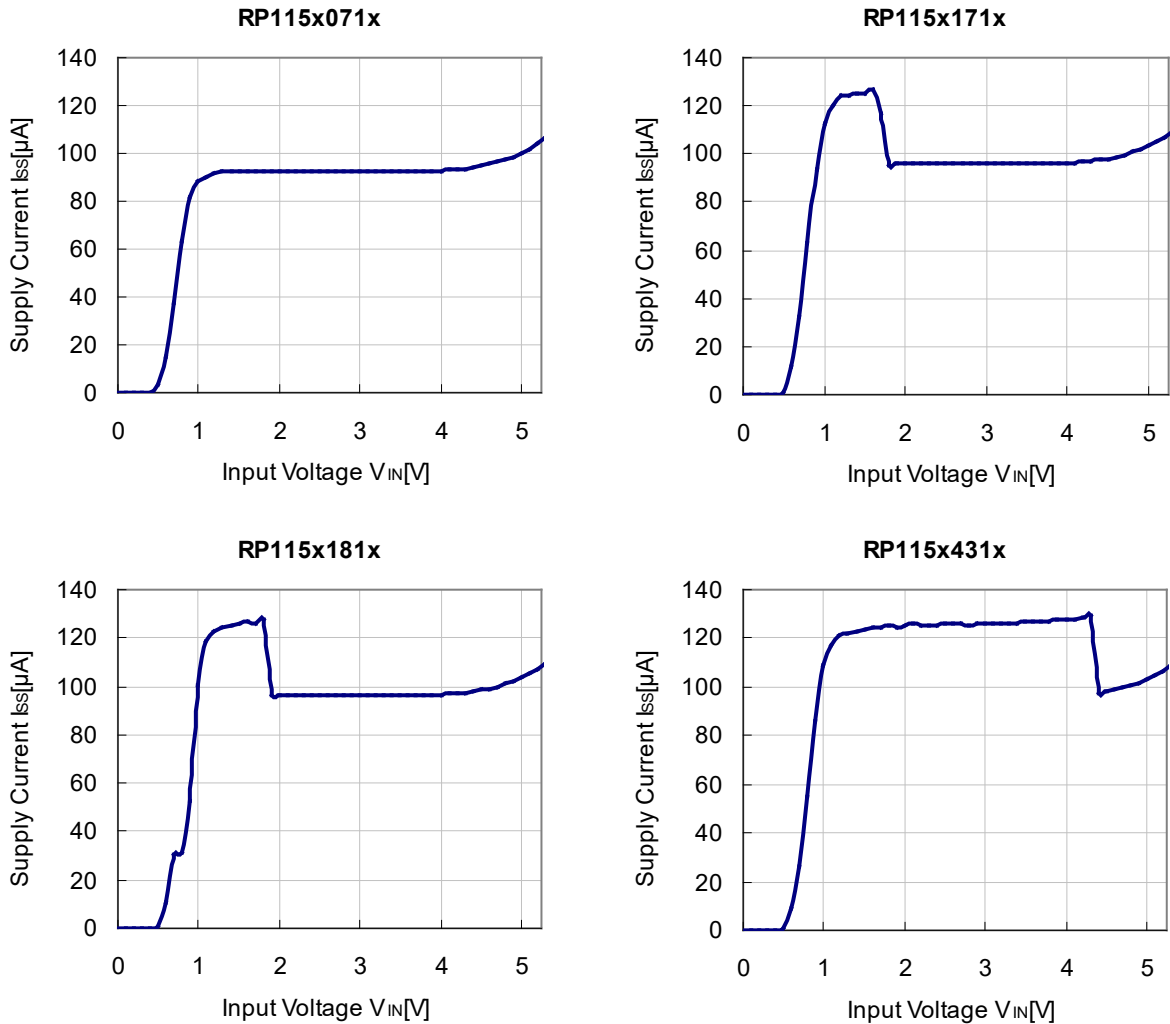
1) Output Voltage vs. Input Voltage (C_{IN} = Ceramic 1.0 μ F, C_{OUT} = Ceramic 1.0 μ F, T_a = 25°C)



RP115x

NO. EA-274-170324

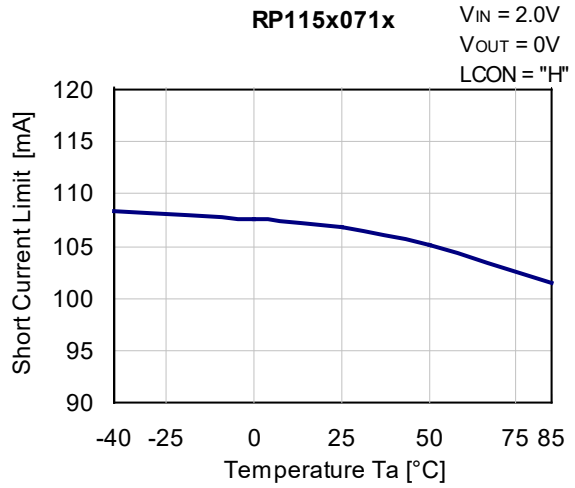
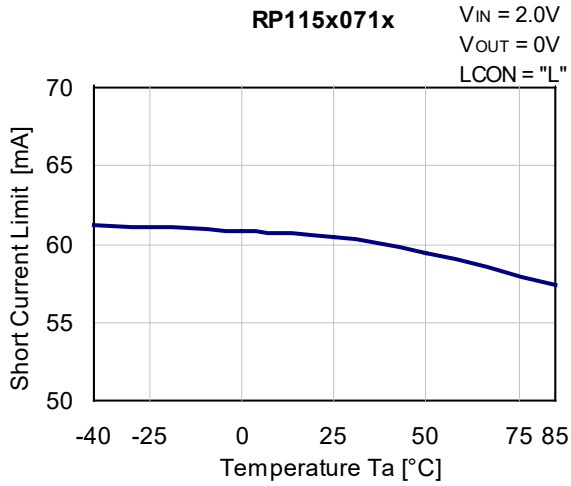
2) Supply Current vs. Input Voltage (C_{IN} = Ceramic 1.0 μ F, C_{OUT} = Ceramic 1.0 μ F, T_a = 25°C)



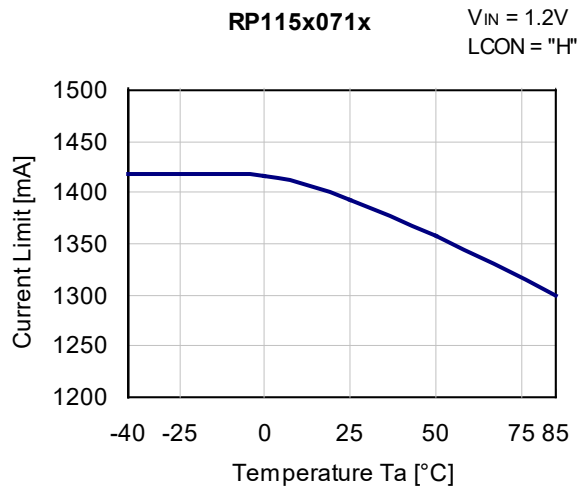
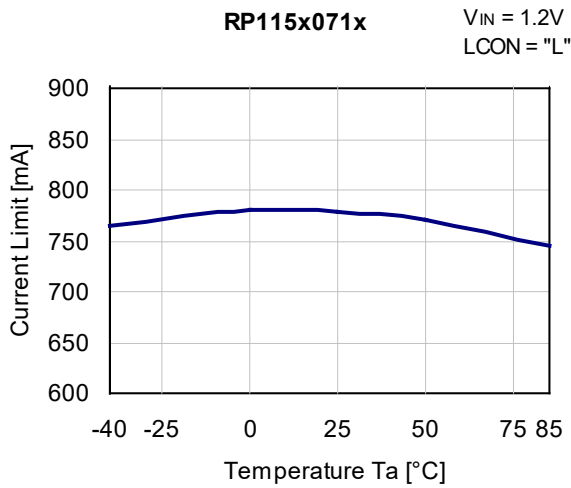
Short Current Limit vs. Temperature and Current Limit vs. Temperature

The RP115x contains a peak current limit circuit which protect the regulator from damage by overcurrent if the output pin (VOUT) and the ground pin (GND) are shorted. The short-circuiting causes the overheating of the device which leads a thermal shutdown circuit to operate. If the peak current limit circuit and the thermal shutdown circuit work at the same time, fold-back type dropping characteristics cannot be measured. As for the short-circuit current and the peak current limit circuit, please refer to 3) Short Current Limit vs. Temperature and 4) Current Limit vs. Temperature.

3) Short Current Limit vs. Temperature



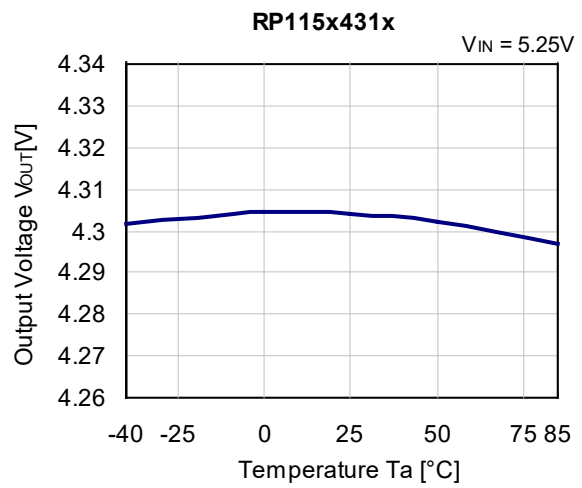
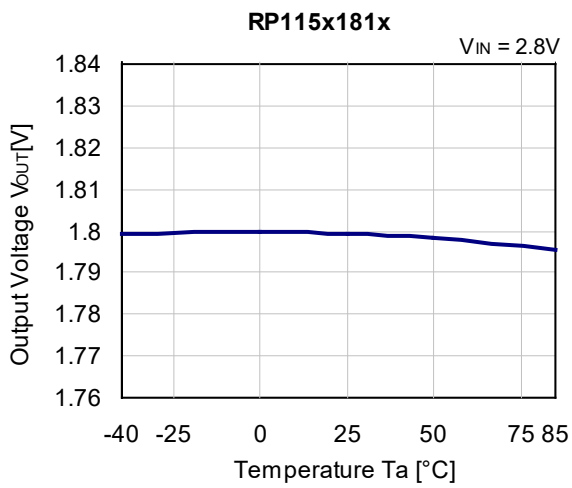
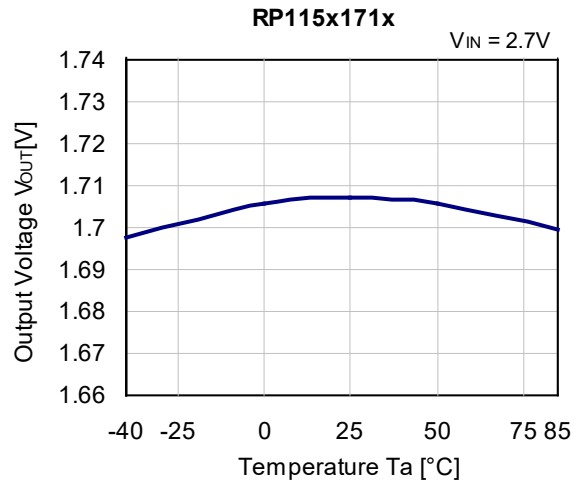
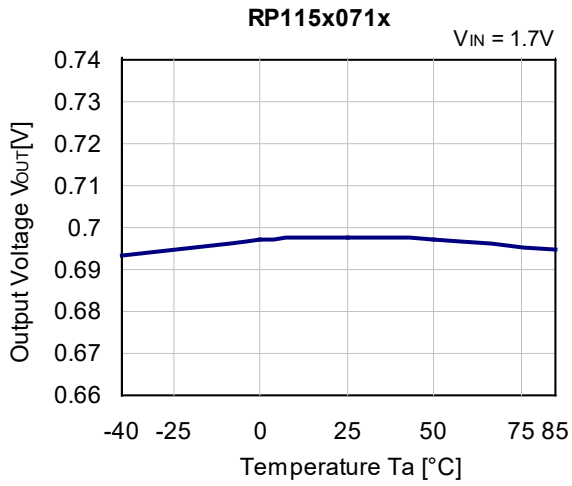
4) Peak Current Limit vs. Temperature



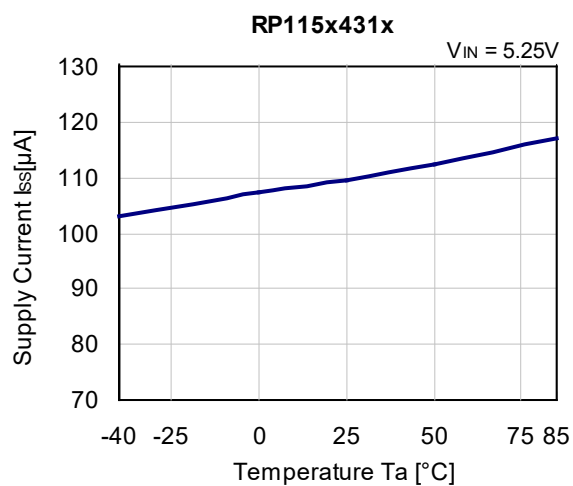
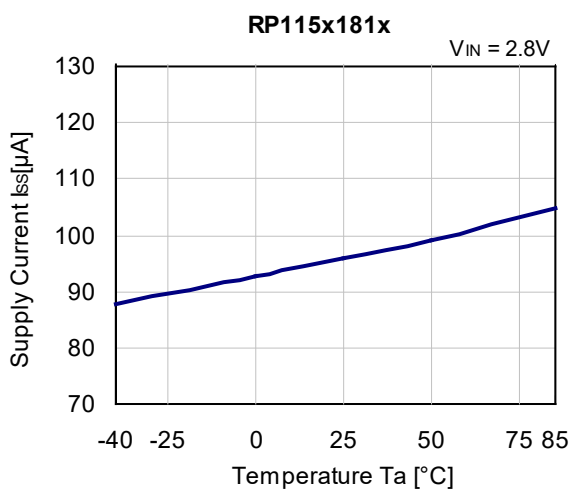
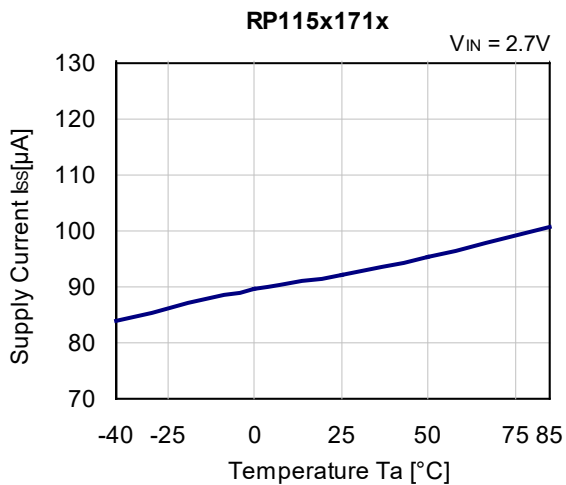
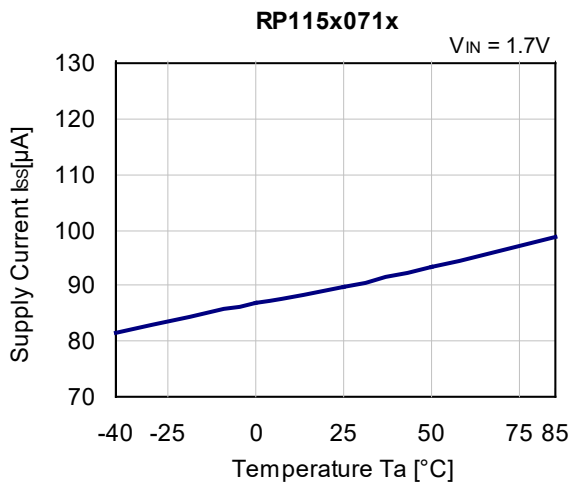
RP115x

NO. EA-274-170324

5) Output Voltage vs. Temperature (C_{IN} = Ceramic 1.0 μ F, C_{OUT} = Ceramic 1.0 μ F, I_{OUT} = 1 mA)



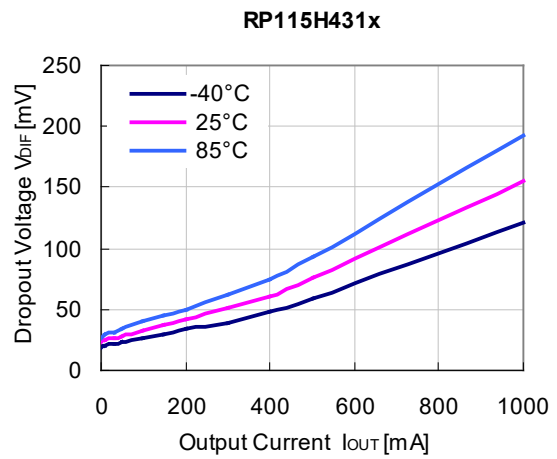
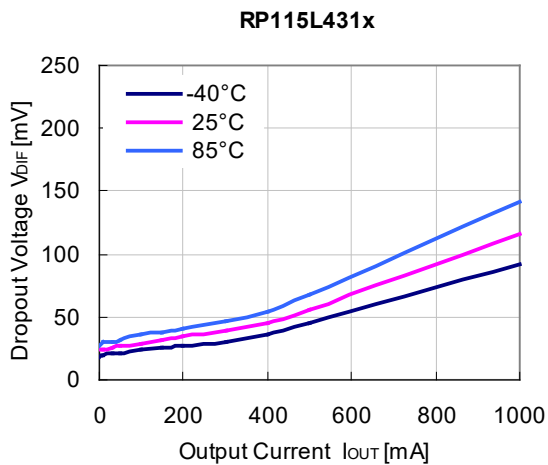
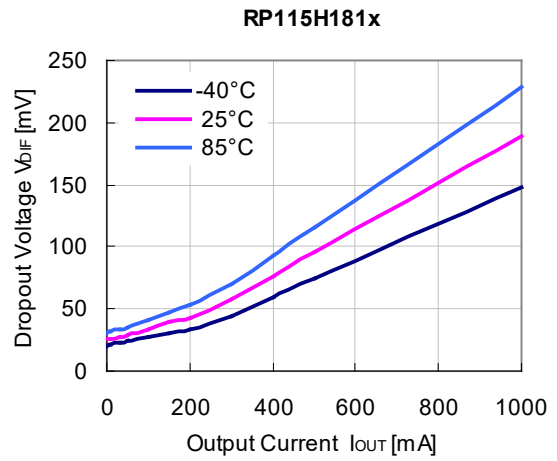
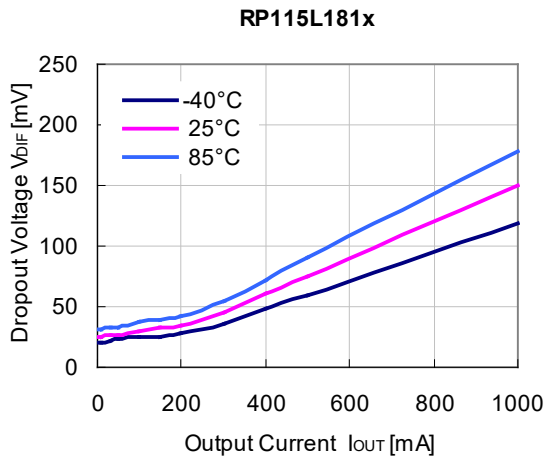
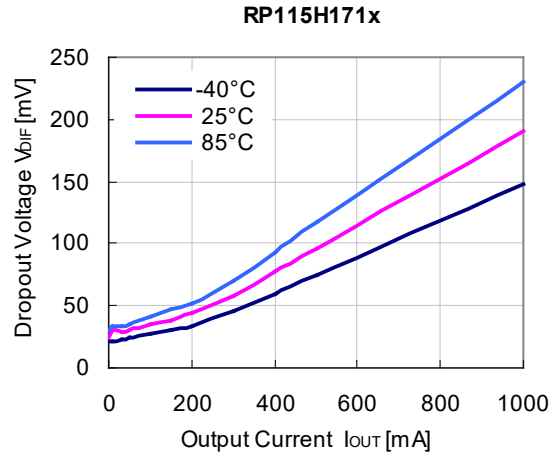
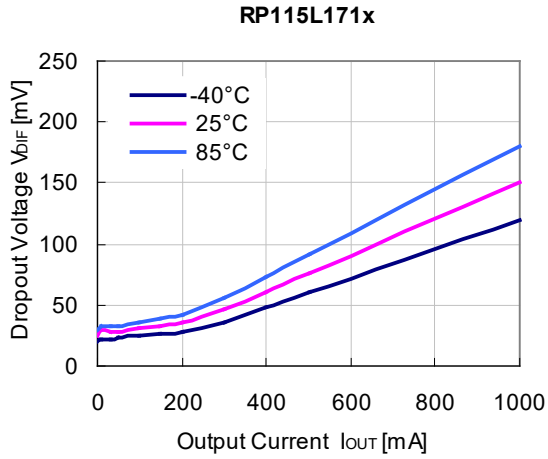
6) Supply Current vs. Temperature (C_{IN} = Ceramic 1.0 μ F, C_{OUT} = Ceramic 1.0 μ F, I_{OUT} = 0 mA)



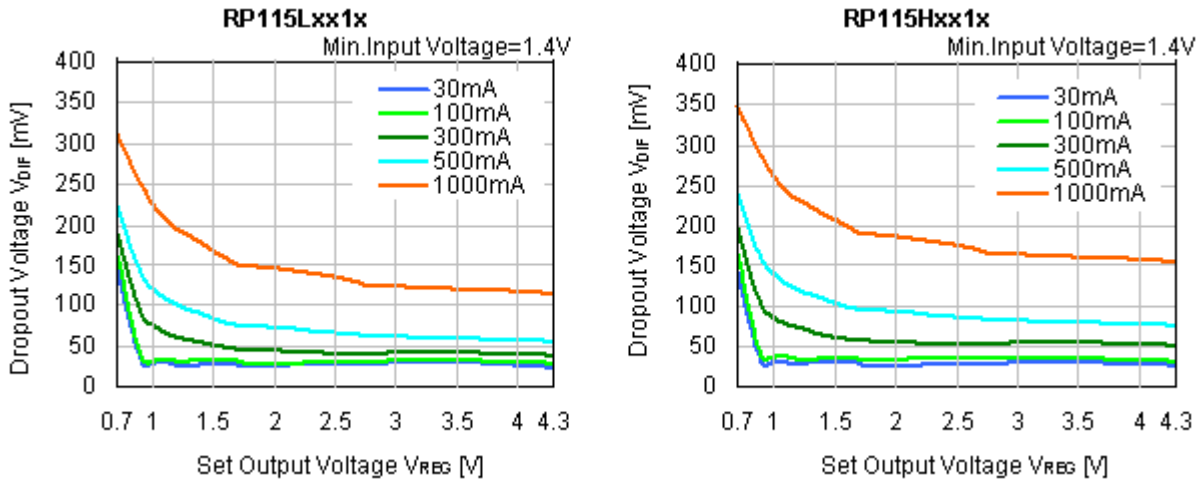
RP115x

NO. EA-274-170324

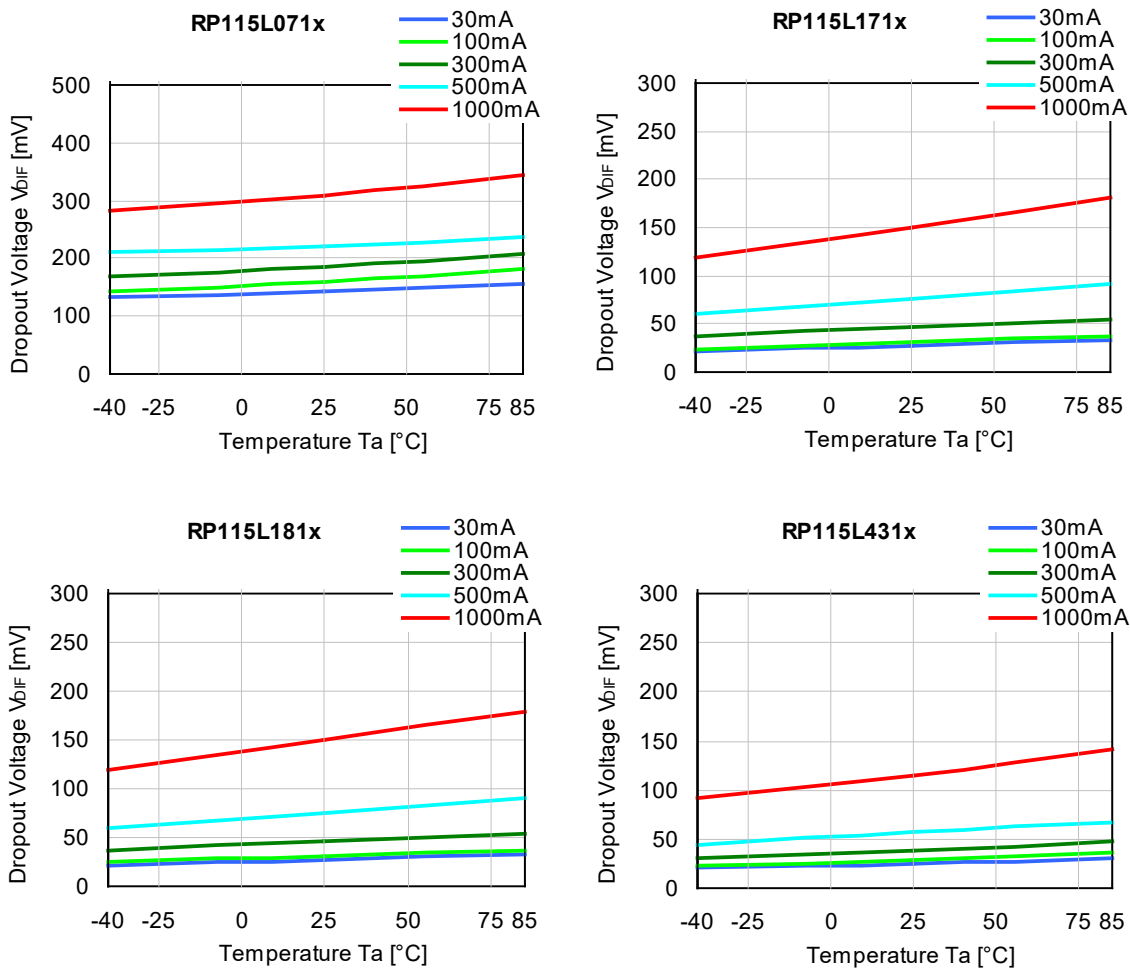
7) Dropout Voltage vs. Output Current ($C_{IN} = \text{Ceramic } 1.0 \mu\text{F}$, $C_{OUT} = \text{Ceramic } 1.0 \mu\text{F}$)



8) Dropout Voltage vs. Set Output Voltage (C_{IN} = Ceramic 1.0 μ F, C_{OUT} = Ceramic 1.0 μ F, T_a = 25°C)

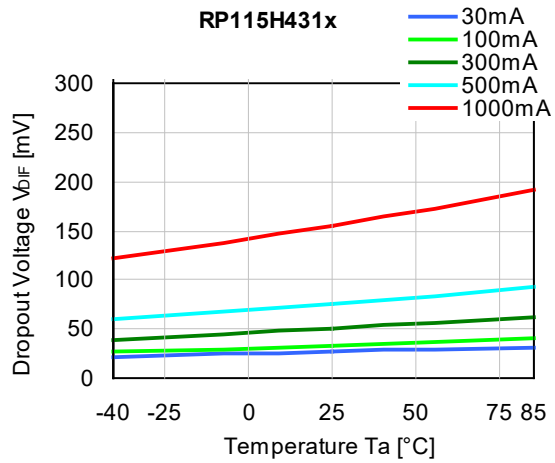
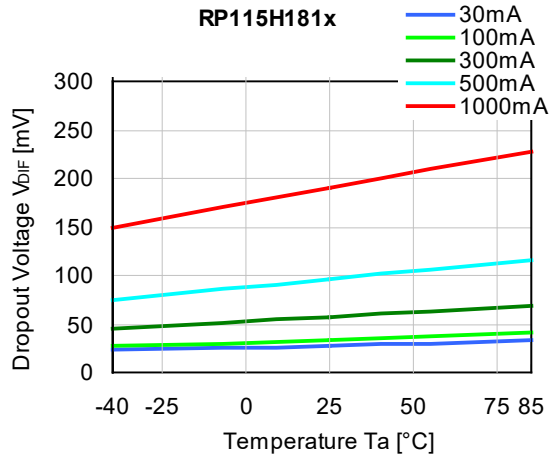
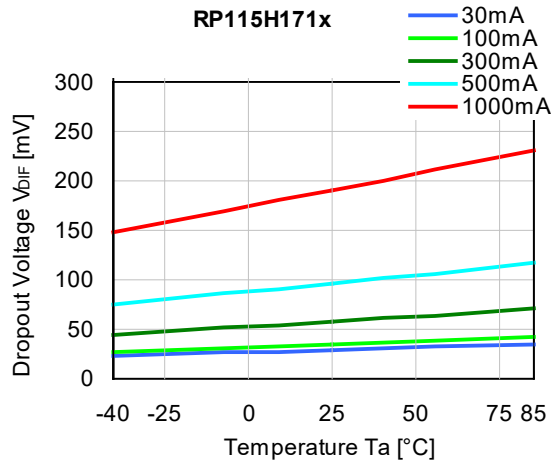
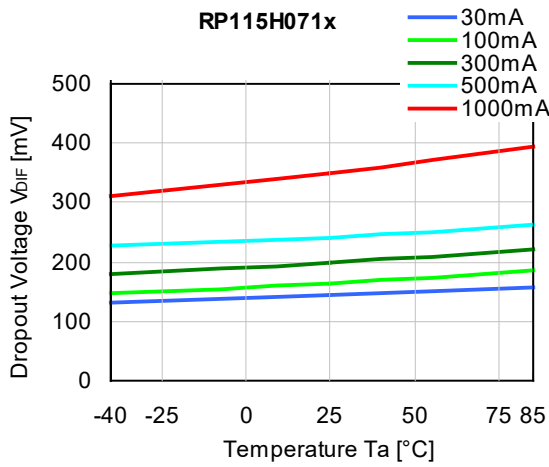


9) Dropout Voltage vs. Temperature (C_{IN} = Ceramic 1.0 μ F, C_{OUT} = Ceramic 1.0 μ F)

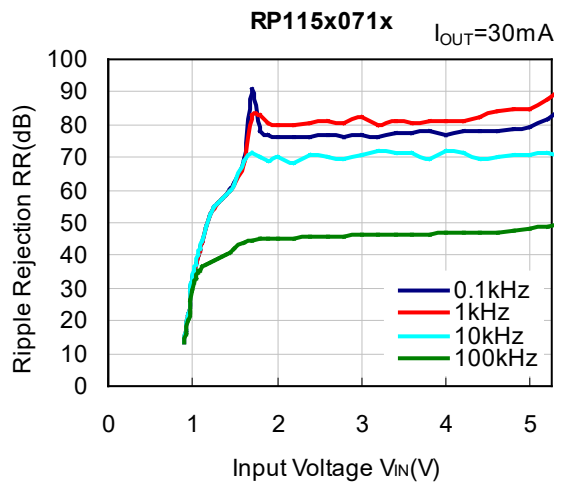
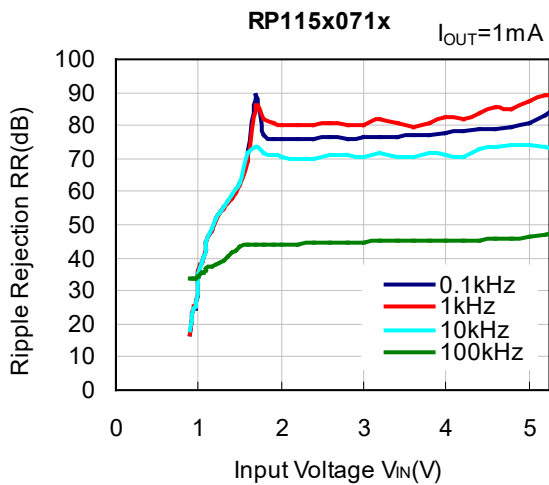


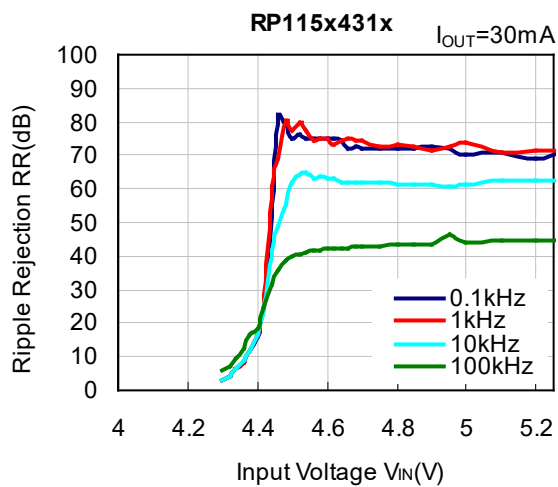
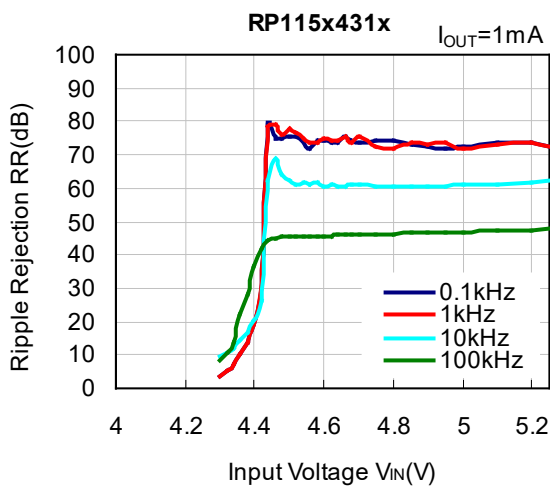
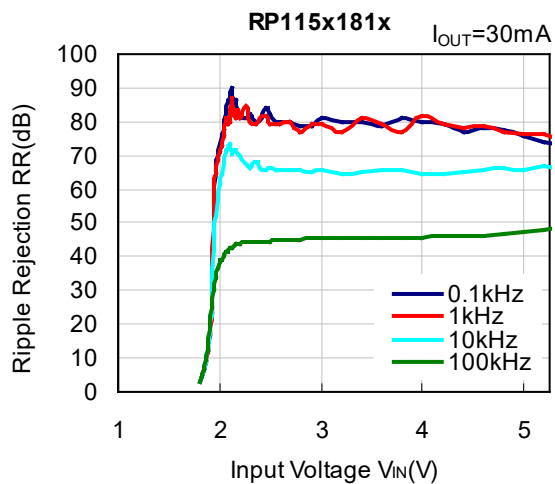
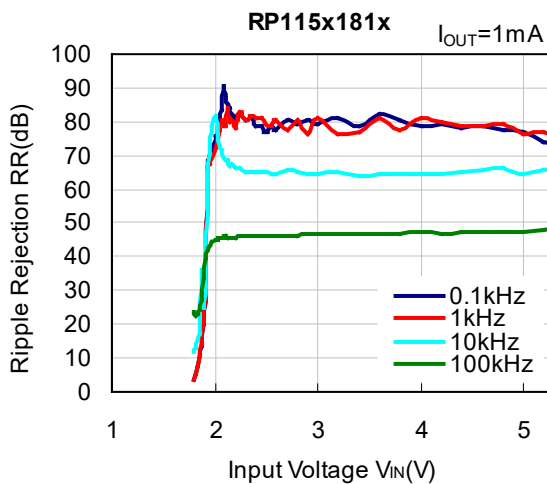
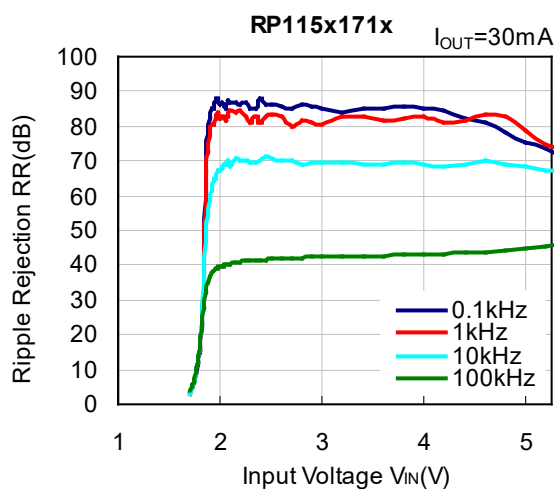
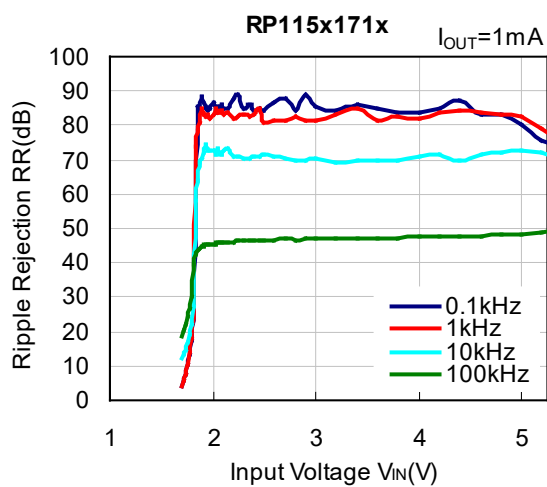
RP115x

NO. EA-274-170324



10) Ripple Rejection vs. Input Voltage (C_{IN} = none, C_{OUT} = Ceramic 1.0 μ F, Ripple = 0.2 Vp-p, T_a = 25°C)

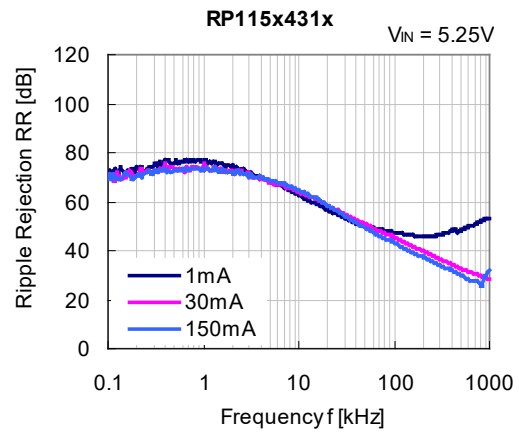
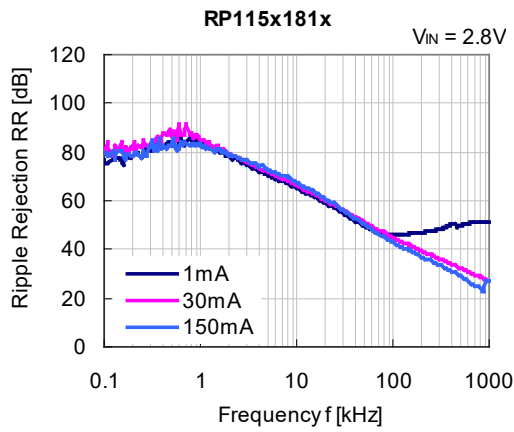
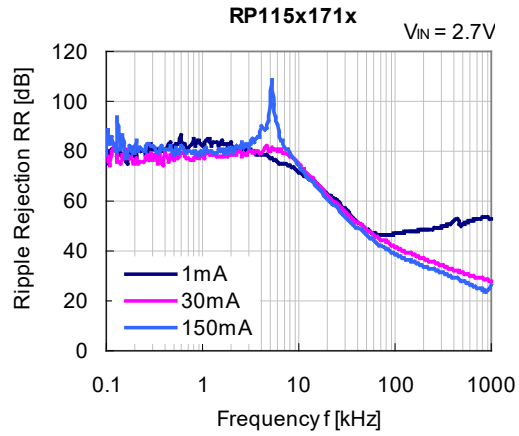
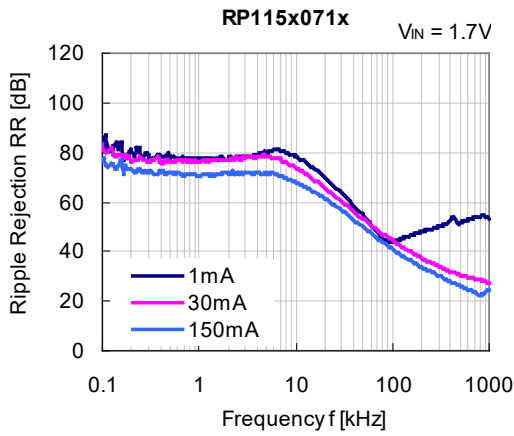




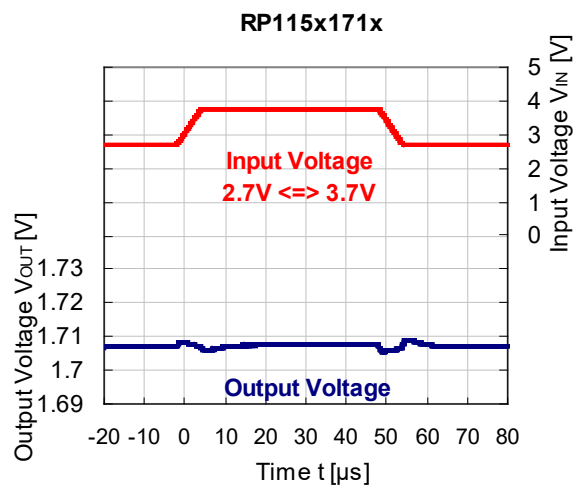
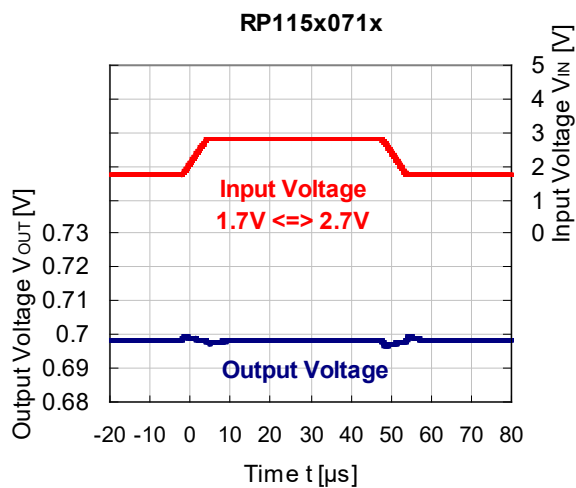
RP115x

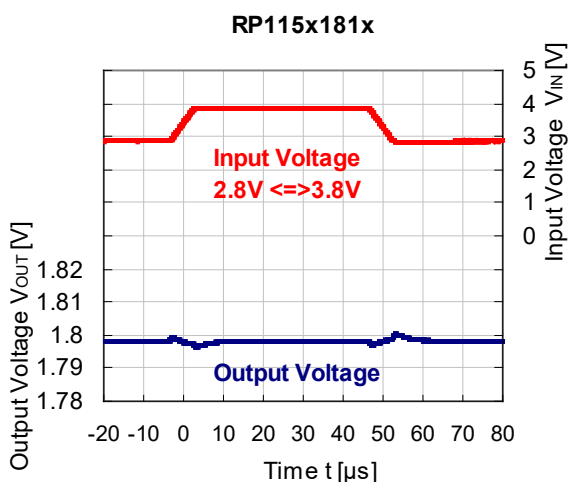
NO. EA-274-170324

11) Ripple Rejection vs. Frequency (C_{IN} = none, C_{OUT} = Ceramic 1.0 μ F, Ripple = 0.2 Vp-p, T_a = 25°C)

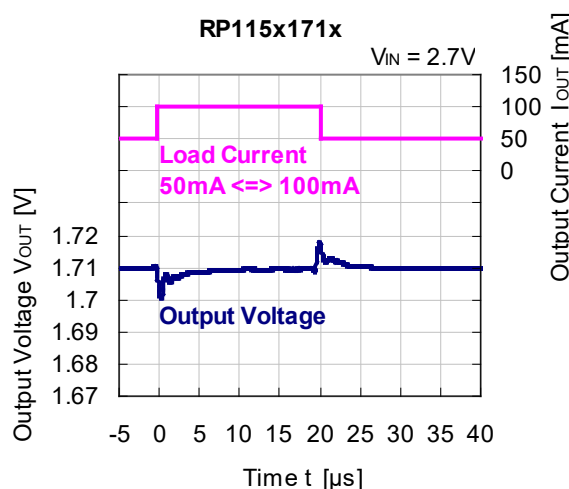
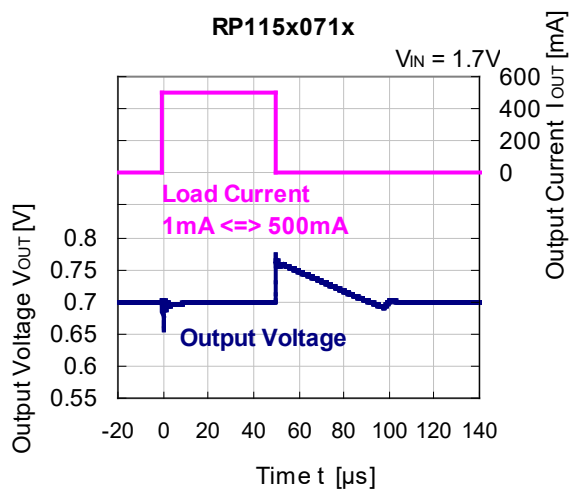
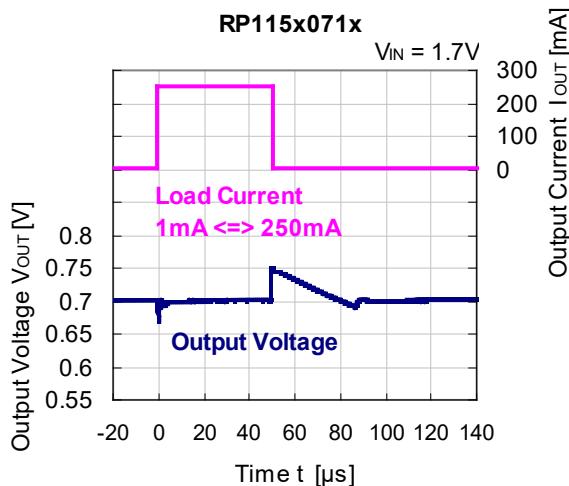
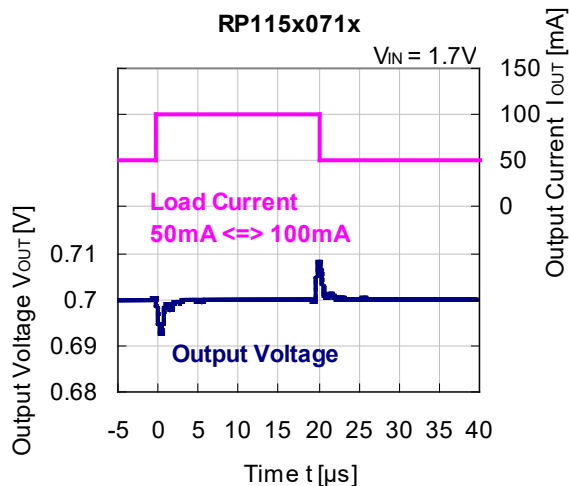


12) Line Transient Response C_{IN} = none, C_{OUT} = Ceramic 1.0 μ F, I_{OUT} = 30 mA, t_r = t_f = 5 μ s, T_a = 25°C)



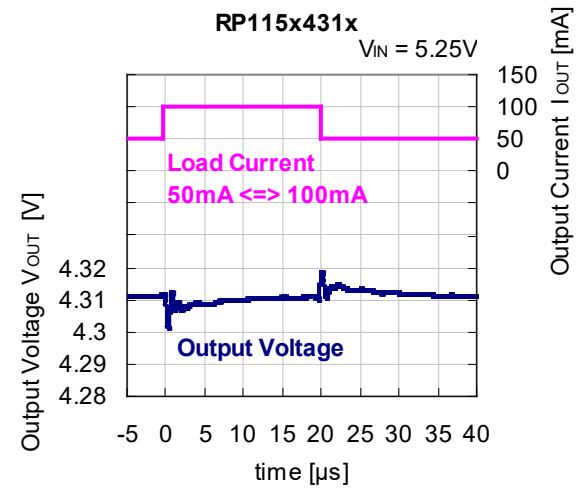
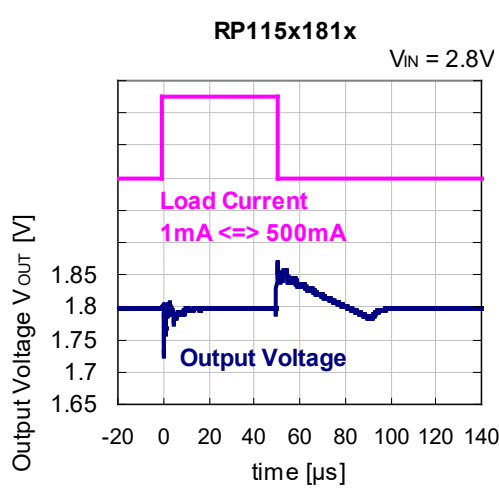
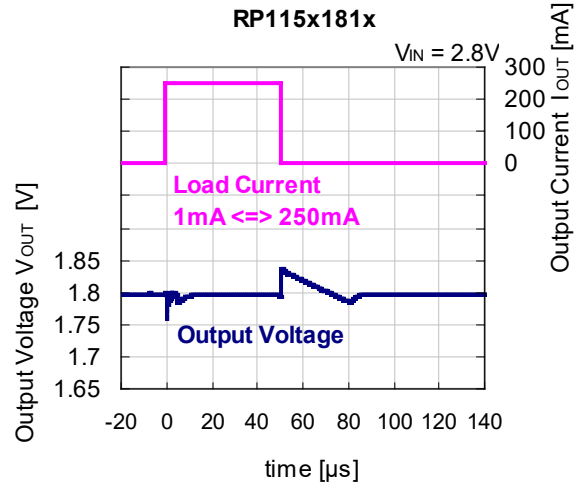
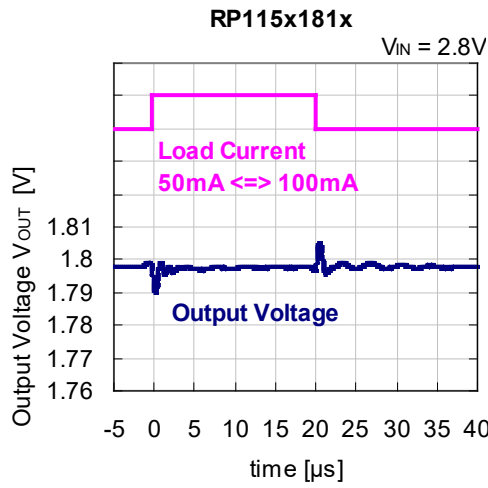
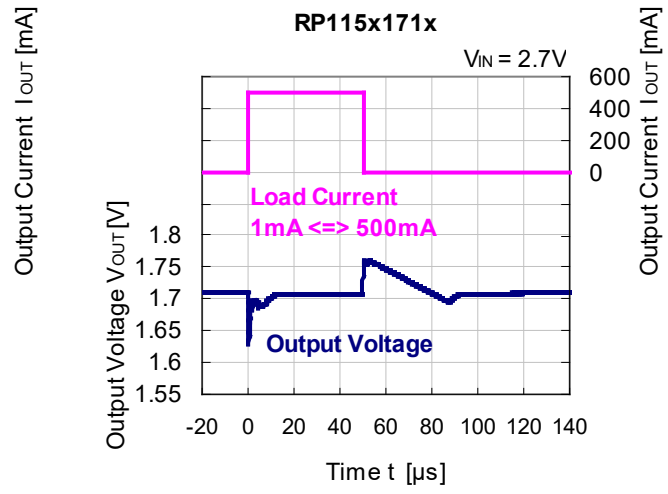
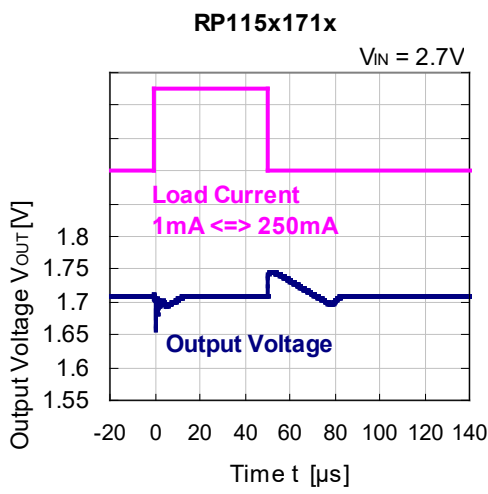


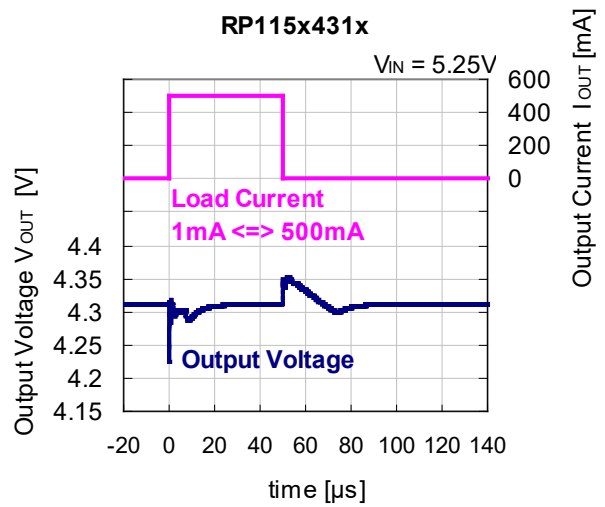
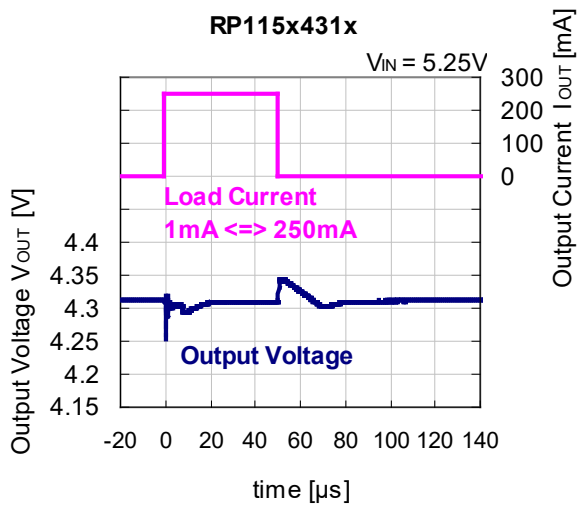
13) Load Transient Response (C_{IN} = Ceramic 1.0 μ F, C_{OUT} = Ceramic 1.0 μ F, $t_r = t_f = 0.5 \mu$ s, $T_a = 25^\circ$ C)



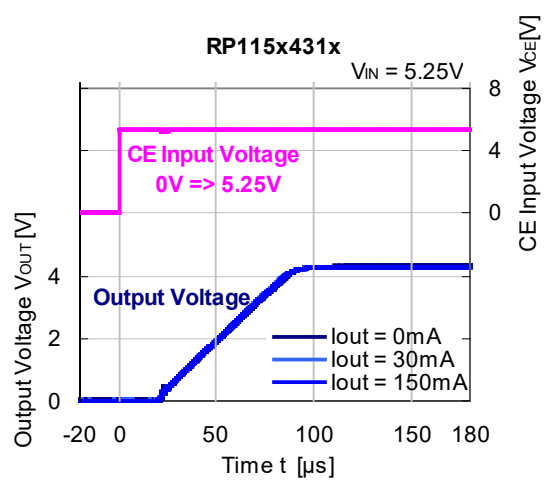
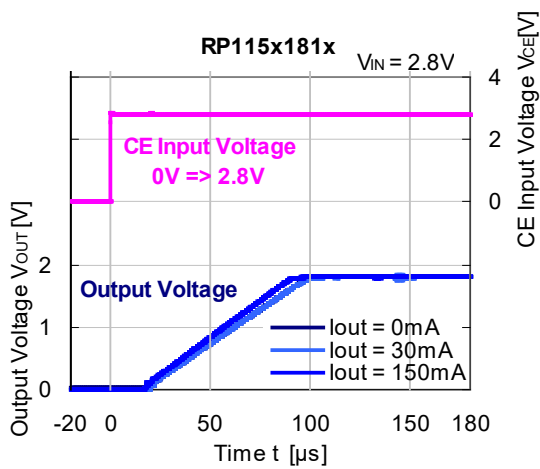
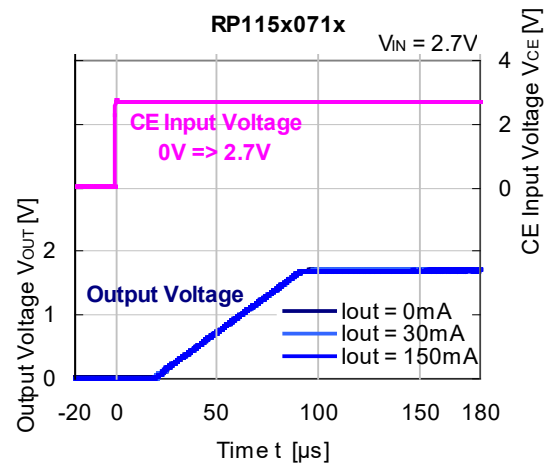
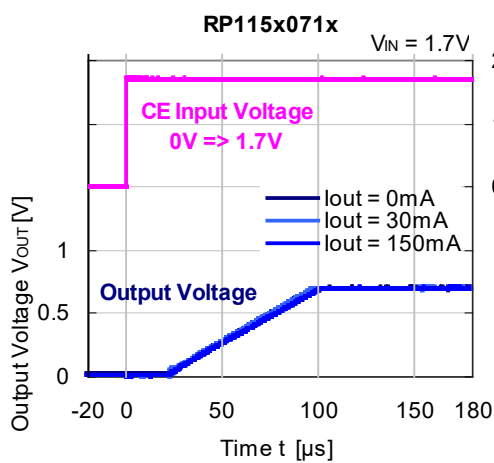
RP115x

NO. EA-274-170324





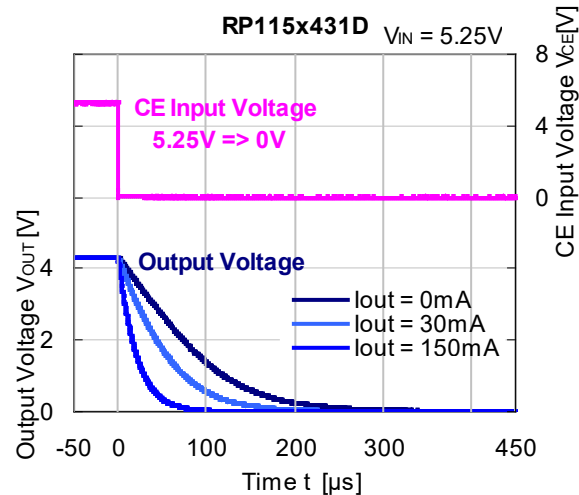
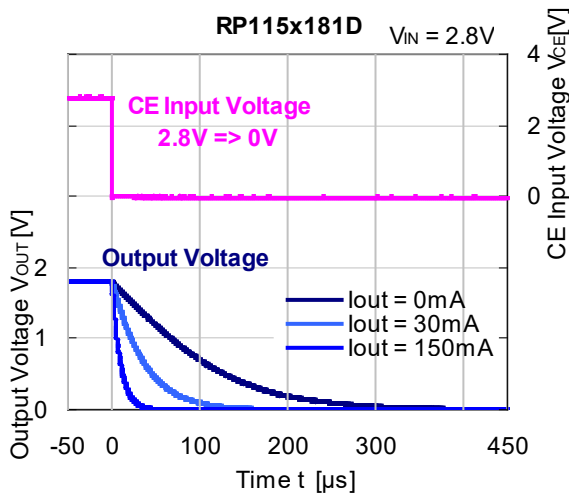
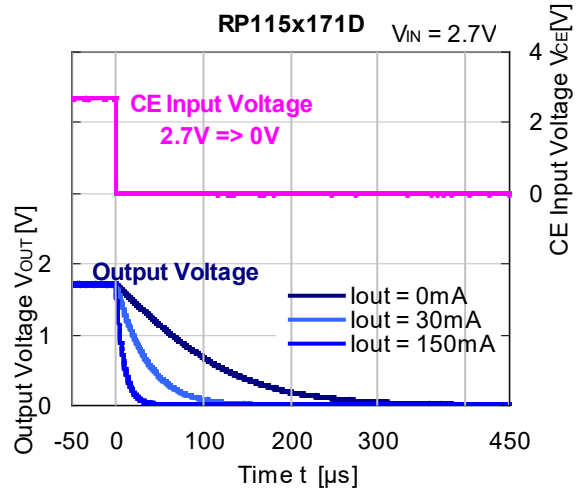
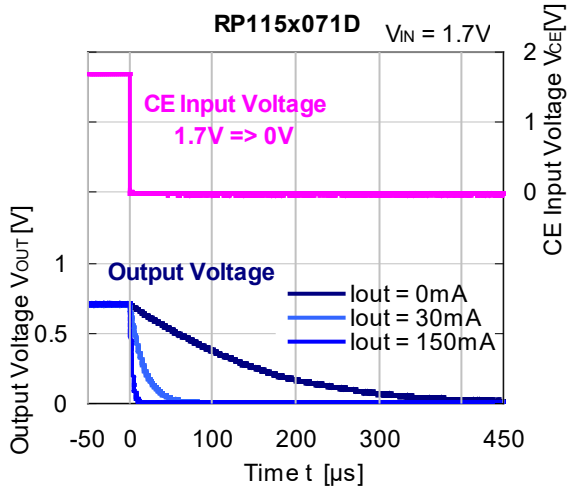
14) Turn-on Waveform by CE Pin Signal (C_{IN} = Ceramic 1.0 μF , C_{OUT} = Ceramic 1.0 μF , $T_a = 25^\circ C$)



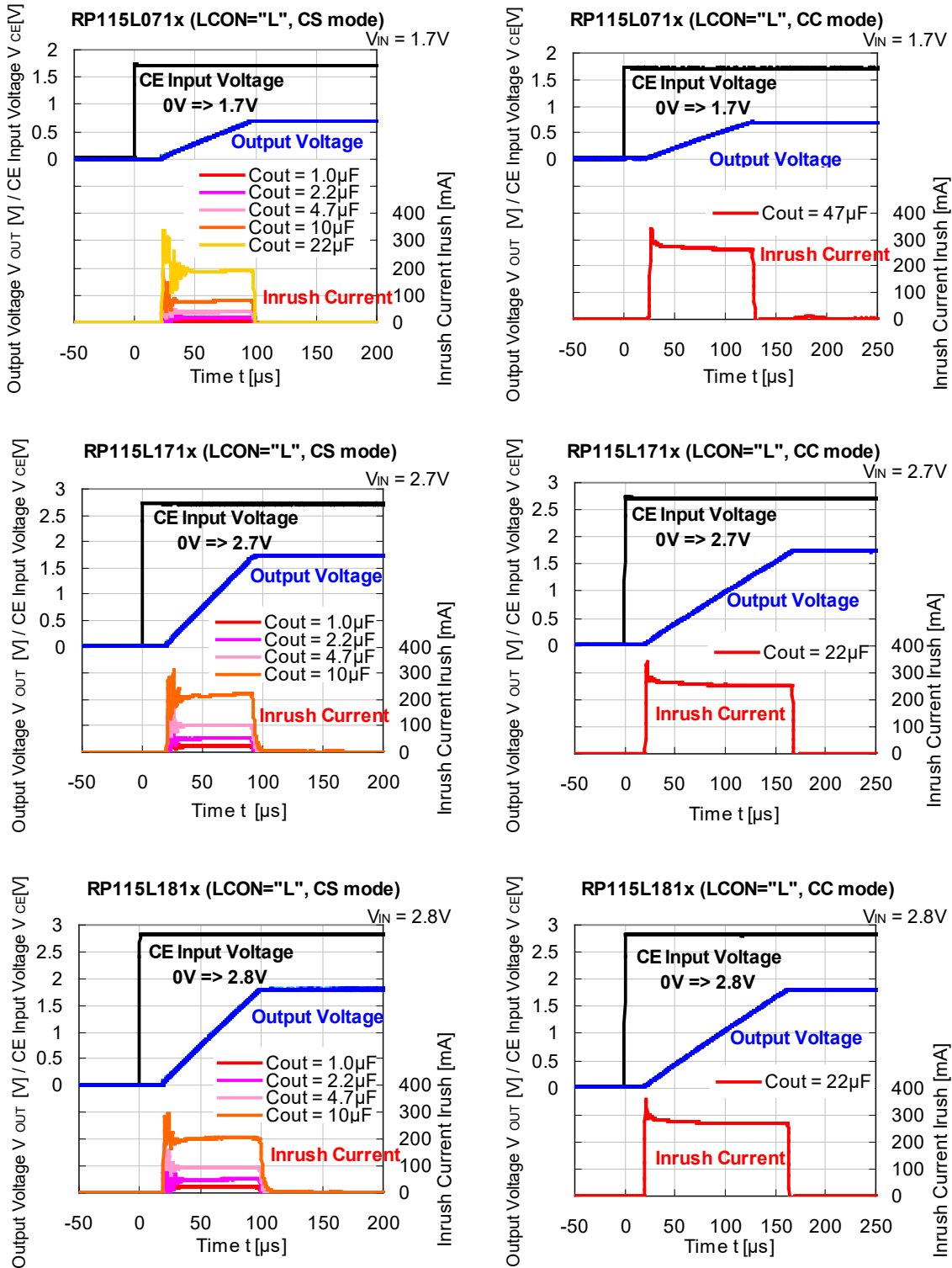
RP115x

NO. EA-274-170324

15) Turn-off Waveform by CE Pin Signal (C_{IN} = Ceramic 1.0 μ F, C_{OUT} = Ceramic 1.0 μ F, T_a = 25°C)

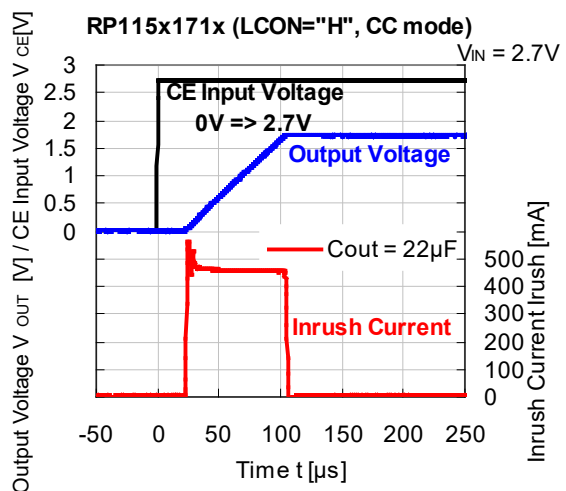
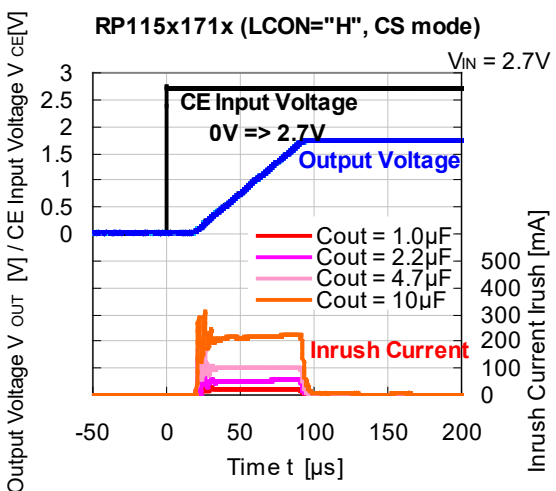
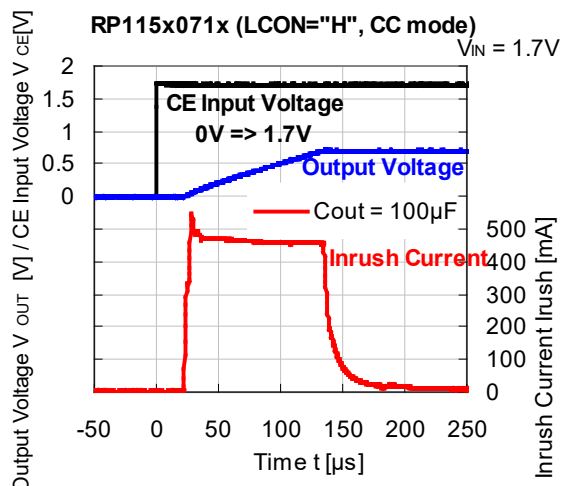
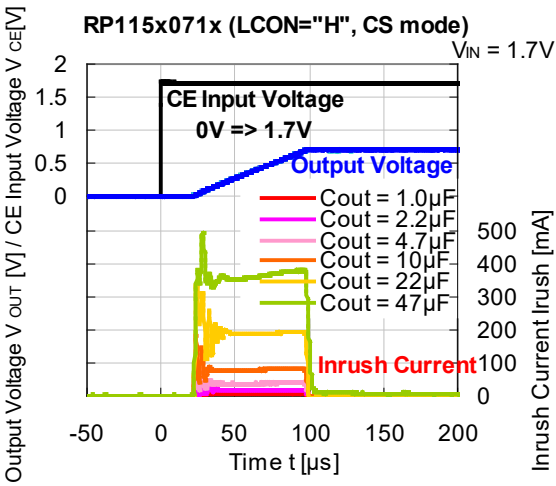
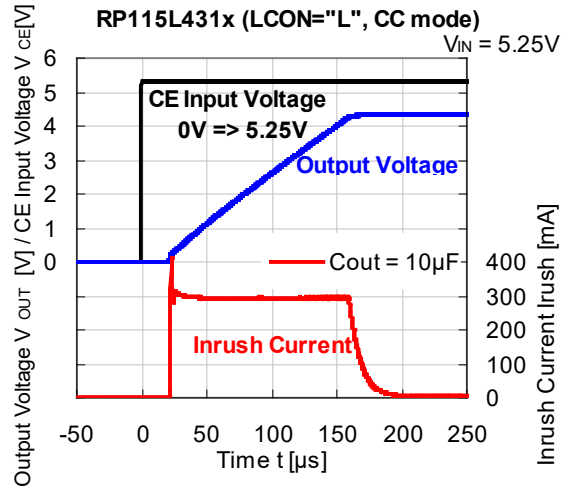
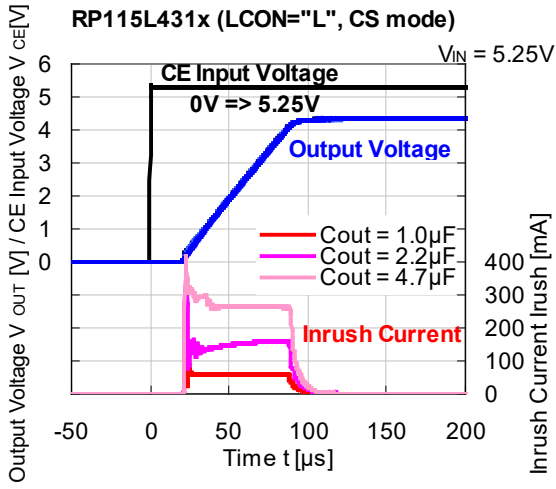


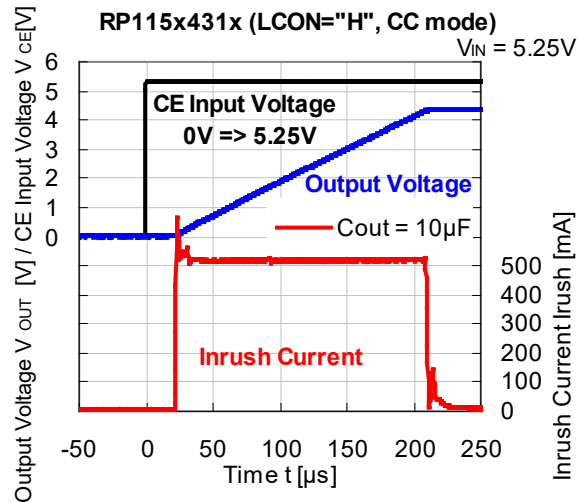
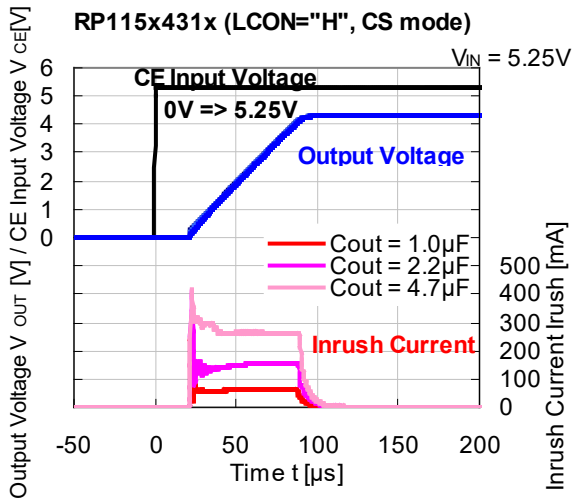
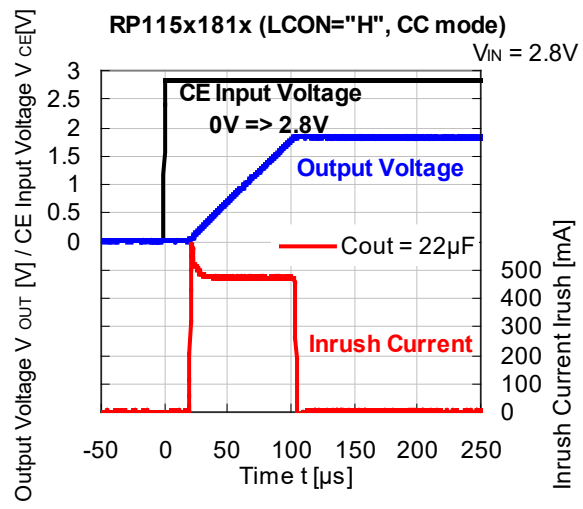
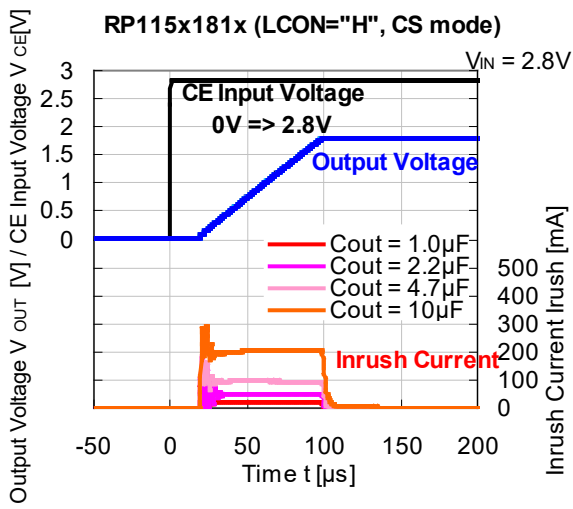
16) Inrush Current ($C_{IN} = \text{Ceramic } 1.0 \mu\text{F}$, $I_{OUT} = 0 \text{ mA}$, $T_a = 25^\circ\text{C}$)



RP115x

NO. EA-274-170324

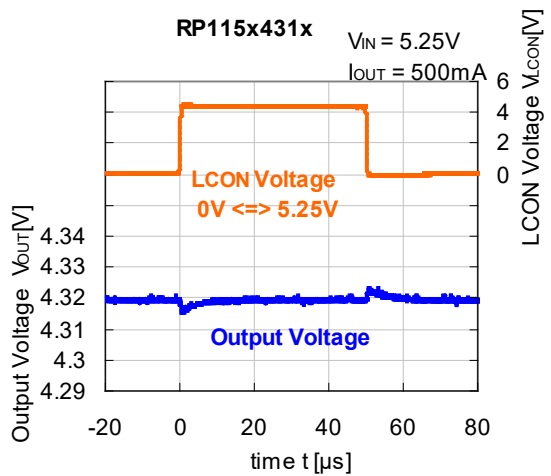
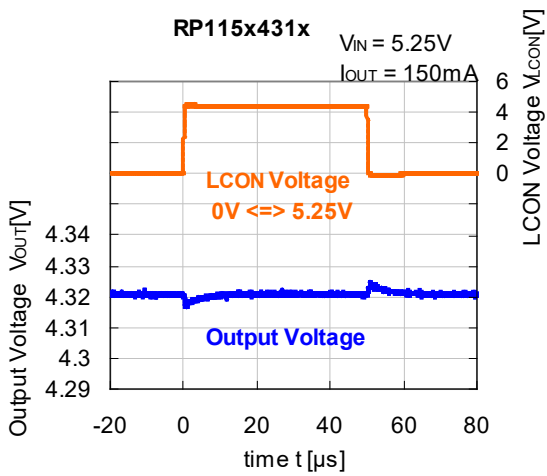
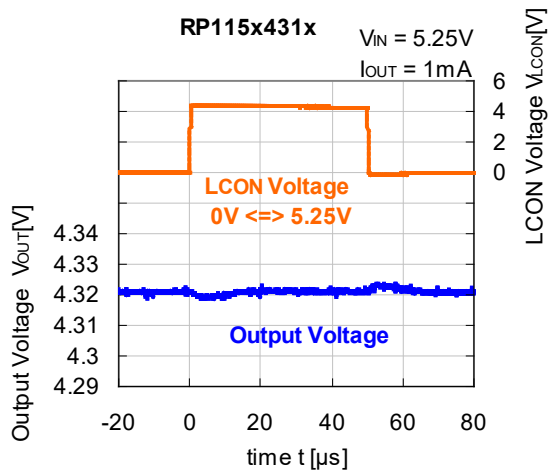
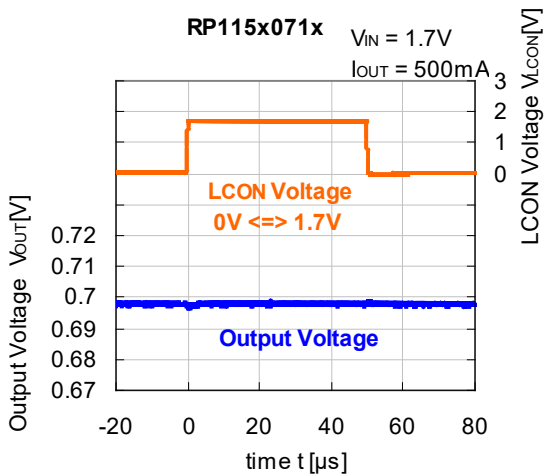
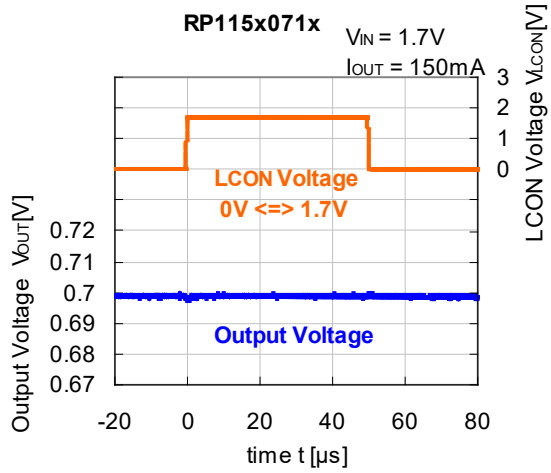
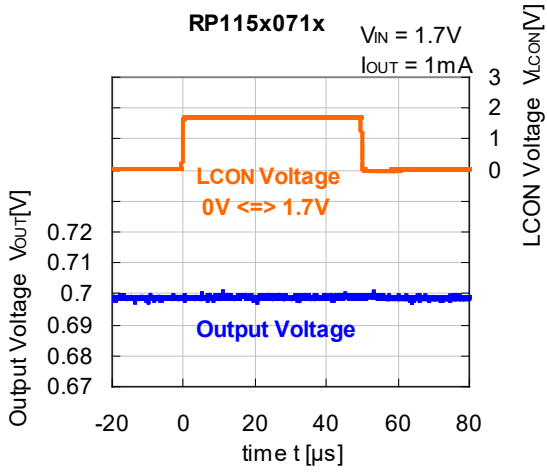




RP115x

NO. EA-274-170324

17) LCON Pin Transient Response ($C_{IN} = \text{Ceramic } 1.0 \mu\text{F}$, $C_{OUT} = \text{Ceramic } 1.0 \mu\text{F}$, $T_a = 25^\circ\text{C}$)



The power dissipation of the package is dependent on PCB material, layout, and environmental conditions. The following conditions are used in this measurement.

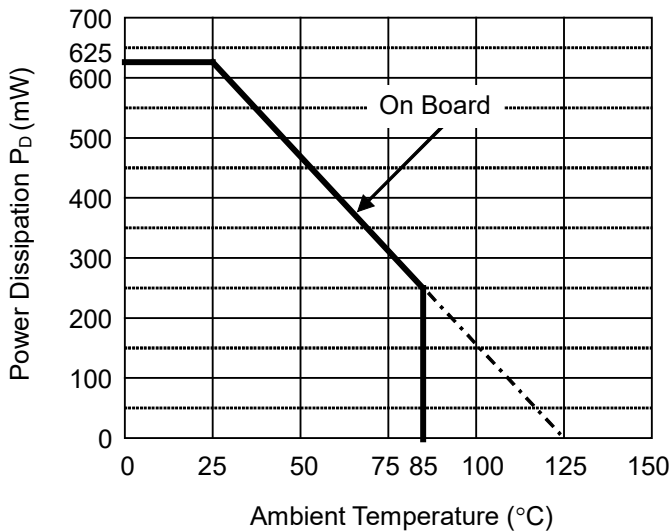
Measurement Conditions

	Standard Test Land Pattern
Environment	Mounting on Board (Wind Velocity = 0 m/s)
Board Material	Glass Cloth Epoxy Plastic (Double-Sided Board)
Board Dimensions	40 mm × 40 mm × 1.6 mm
Copper Ratio	Top Side: Approx. 50% Bottom Side: Approx. 50%
Through-holes	φ 0.5 mm × 28 pcs

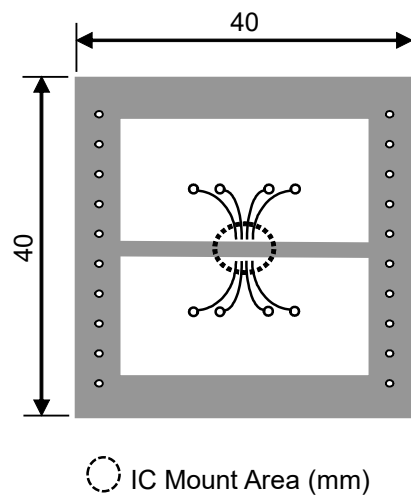
Measurement Result

(Ta = 25°C, Tjmax = 125°C)

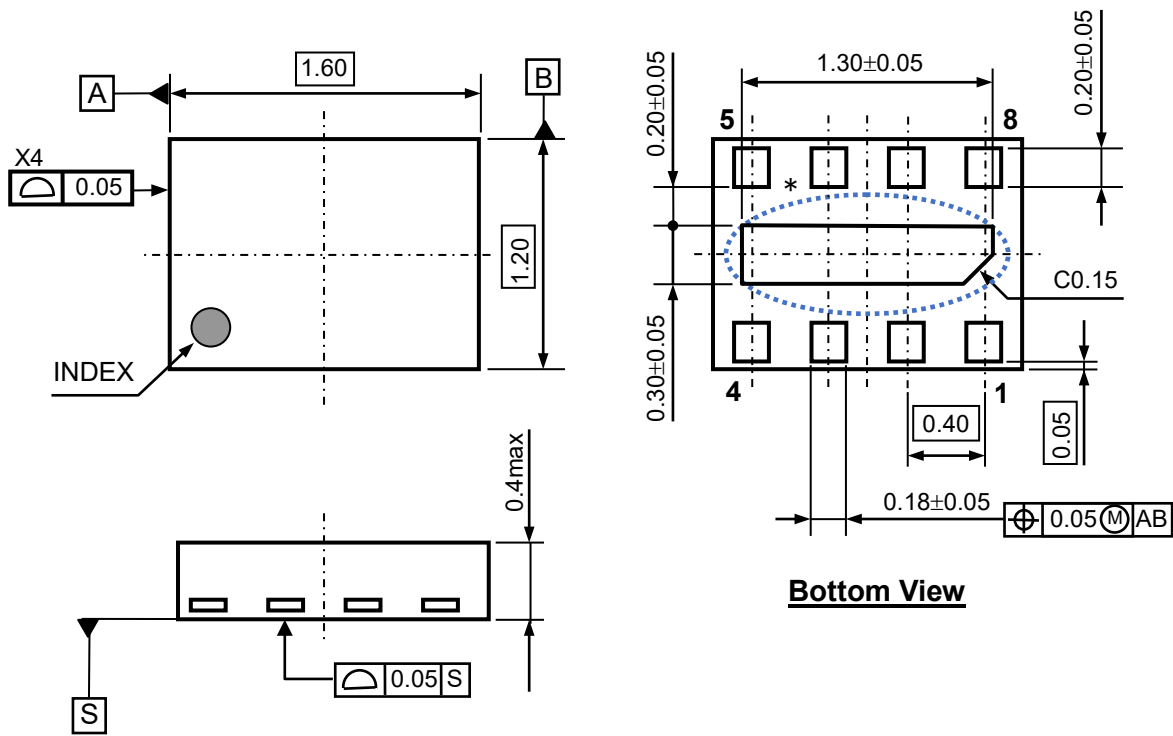
	Standard Test Land Pattern
Power Dissipation	625 mW
Thermal Resistance	$\theta_{ja} = (125 - 25^\circ\text{C}) / 0.625 \text{ W} = 160^\circ\text{C/W}$ $\theta_{jc} = 26^\circ\text{C/W}$



Power Dissipation vs. Ambient Temperature



Measurement Board Pattern



DFN1216-8 Package Dimensions (Unit: mm)

* The tab on the bottom of the package shown by blue circle is a substrate potential (GND). It is recommended that this tab be connected to the ground plane on the board but it is possible to leave the tab floating.

The power dissipation of the package is dependent on PCB material, layout, and environmental conditions. The following conditions are used in this measurement.

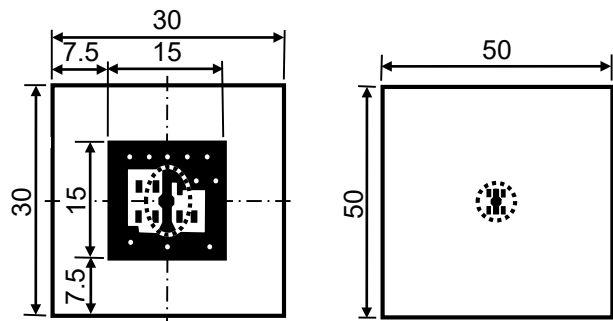
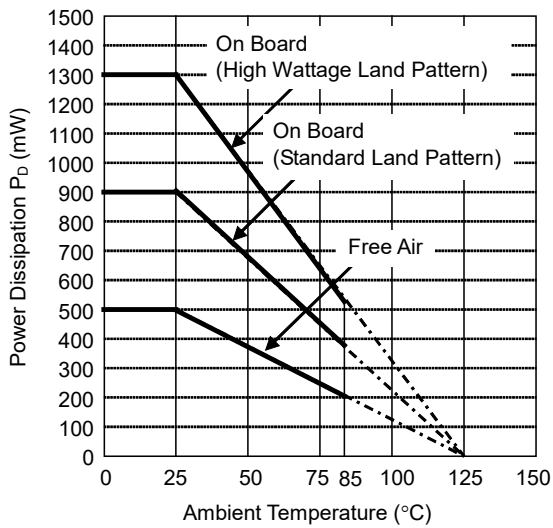
Measurement Conditions

	Ultra High Wattage Land Pattern	Standard Land Pattern
Environment	Mounting on Board (Wind Velocity = 0 m/s)	Mounting on Board (Wind Velocity = 0 m/s)
Board Material	Glass Cloth Epoxy Plastic (Double-sided Board)	Glass Cloth Epoxy Plastic (Double-sided Board)
Board Dimensions	30 mm × 30 mm × 1.6 mm	50 mm × 50 mm × 1.6 mm
Copper Ratio	Top Side: Approx. 20% Bottom Side: 100%	Top Side: Approx. 10% Bottom Side: 100%
Through-holes	φ 0.85 mm × 10 pcs	-

Measurement Result

(Ta = 25°C, Tjmax = 125°C)

	Ultra High Wattage Land Pattern	Standard Land Pattern	Free Air
Power Dissipation	1300 mW	900 mW	500 mW
Thermal Resistance	77°C/W	111°C/W	200°C/W



High Wattage

Standard

○ IC Mount Area (mm)

Power Dissipation vs. Ambient Temperature

Measurement Board Pattern



1. The products and the product specifications described in this document are subject to change or discontinuation of production without notice for reasons such as improvement. Therefore, before deciding to use the products, please refer to Ricoh sales representatives for the latest information thereon.
2. The materials in this document may not be copied or otherwise reproduced in whole or in part without prior written consent of Ricoh.
3. Please be sure to take any necessary formalities under relevant laws or regulations before exporting or otherwise taking out of your country the products or the technical information described herein.
4. The technical information described in this document shows typical characteristics of and example application circuits for the products. The release of such information is not to be construed as a warranty of or a grant of license under Ricoh's or any third party's intellectual property rights or any other rights.
5. The products listed in this document are intended and designed for use as general electronic components in standard applications (office equipment, telecommunication equipment, measuring instruments, consumer electronic products, amusement equipment etc.). Those customers intending to use a product in an application requiring extreme quality and reliability, for example, in a highly specific application where the failure or misoperation of the product could result in human injury or death (aircraft, spacevehicle, nuclear reactor control system, traffic control system, automotive and transportation equipment, combustion equipment, safety devices, life support system etc.) should first contact us.
6. We are making our continuous effort to improve the quality and reliability of our products, but semiconductor products are likely to fail with certain probability. In order to prevent any injury to persons or damages to property resulting from such failure, customers should be careful enough to incorporate safety measures in their design, such as redundancy feature, fire containment feature and fail-safe feature. We do not assume any liability or responsibility for any loss or damage arising from misuse or inappropriate use of the products.
7. Anti-radiation design is not implemented in the products described in this document.
8. The X-ray exposure can influence functions and characteristics of the products. Confirm the product functions and characteristics in the evaluation stage.
9. WLCSP products should be used in light shielded environments. The light exposure can influence functions and characteristics of the products under operation or storage.
10. There can be variation in the marking when different AOI (Automated Optical Inspection) equipment is used. In the case of recognizing the marking characteristic with AOI, please contact Ricoh sales or our distributor before attempting to use AOI.
11. Please contact Ricoh sales representatives should you have any questions or comments concerning the products or the technical information.



Ricoh is committed to reducing the environmental loading materials in electrical devices with a view to contributing to the protection of human health and the environment.

Ricoh has been providing RoHS compliant products since April 1, 2006 and Halogen-free products since April 1, 2012.

RICOH RICOH ELECTRONIC DEVICES CO., LTD.

<https://www.e-devices.ricoh.co.jp/en/>

Sales & Support Offices

Ricoh Electronic Devices Co., Ltd.

Shin-Yokohama Office (International Sales)

2-3, Shin-Yokohama 3-chome, Kohoku-ku, Yokohama-shi, Kanagawa, 222-8530, Japan
Phone: +81-50-3814-7687 Fax: +81-45-474-0074

Ricoh Americas Holdings, Inc.

675 Campbell Technology Parkway, Suite 200 Campbell, CA 95008, U.S.A.
Phone: +1-408-610-3105

Ricoh Europe (Netherlands) B.V.

Semiconductor Support Centre

Prof. W.H. Keesomlaan 1, 1183 DJ Amstelveen, The Netherlands
Phone: +31-20-5474-309

Ricoh International B.V. - German Branch

Semiconductor Sales and Support Centre

Oberrather Strasse 6, 40472 Düsseldorf, Germany
Phone: +49-211-6546-0

Ricoh Electronic Devices Korea Co., Ltd.

3F, Haesung Bldg, 504, Teheran-ro, Gangnam-gu, Seoul, 135-725, Korea
Phone: +82-2-2135-5700 Fax: +82-2-2051-5713

Ricoh Electronic Devices Shanghai Co., Ltd.

Room 403, No.2 Building, No.690 Bibo Road, Pu Dong New District, Shanghai 201203,
People's Republic of China
Phone: +86-21-5027-3200 Fax: +86-21-5027-3299

Ricoh Electronic Devices Shanghai Co., Ltd.

Shenzhen Branch

1205, Block D (Jinlong Building), Kingkey 100, Hongbao Road, Luohu District,
Shenzhen, China
Phone: +86-755-8348-7600 Ext 225

Ricoh Electronic Devices Co., Ltd.

Taipei office

Room 109, 10F-1, No.51, Hengyang Rd., Taipei City, Taiwan (R.O.C.)
Phone: +886-2-2313-1621/1622 Fax: +886-2-2313-1623

X-ON Electronics

Largest Supplier of Electrical and Electronic Components

Click to view similar products for [LDO Voltage Regulators](#) category:

Click to view products by [Ricoh](#) manufacturer:

Other Similar products are found below :

[M38D29FFHP#U1](#) [702103A](#) [717726C](#) [742457H](#) [MP20051DN-LF-Z](#) [R5F111PGGFB#30](#) [AP7363-SP-13](#) [NCP103AMX285TCG](#)
[NCV8664CST33T3G](#) [NCV8752AMX28TCG](#) [L9454](#) [AP7362-HA-7](#) [LX13043CLD](#) [TCR3DF185,LM\(CT](#) [TCR3DF24,LM\(CT](#)
[TCR3DF285,LM\(CT](#) [TCR3DF31,LM\(CT](#) [TCR3DF45,LM\(CT](#) [TLF4949EJ](#) [L9708](#) [L970813TR](#) [030014BB](#) [059985X](#) [NCP121AMX173TCG](#)
[NCP4687DH15T1G](#) [NCV8703MX30TCG](#) [701326R](#) [702087BB](#) [755078E](#) [TCR2EN28,LF\(S](#) [LM1117DT-1.8/NO](#) [LT1086CM#TRPBF](#)
[AZ1085S2-1.5TRE1](#) [MAX15101EWL+T](#) [NCV8170AXV250T2G](#) [SCD337BTG](#) [TCR3DF27,LM\(CT](#) [TCR3DF19,LM\(CT](#)
[TCR3DF125,LM\(CT](#) [TCR2EN18,LF\(S](#) [MAX15103EWL+T](#) [TS2937CZ-5.0 C0](#) [MAX8878EUK30-T](#) [MAX663CPA](#) [NCV4269CPD50R2G](#)
[NCV8716MT30TBG](#) [AZ1117IH-1.2TRG1](#) [MP2013GQ-P](#) [AP2112R5A-3.3TRG1](#) [AP7315-25W5-7](#)