

PS65

Power Supply AC/DC

P/N: 210919



Features:

- 65.00W standard AC/DC power supply for worldwide use
- Simple operation
- Country specific AC input cables available

Applications:

Suitable for use with notebooks, hand held data capture POS, test and measurement and other industrial applications.

Specification

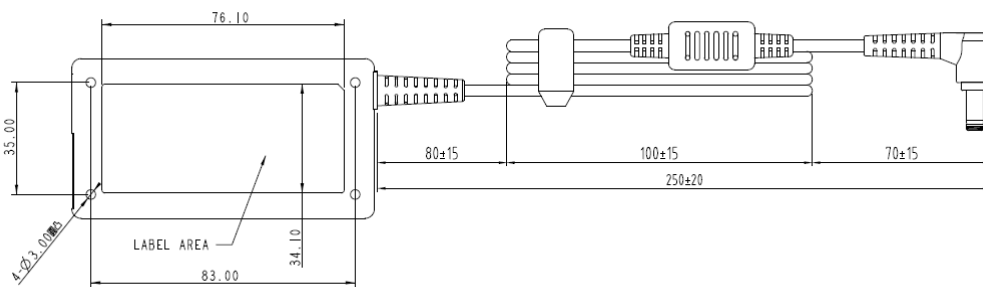
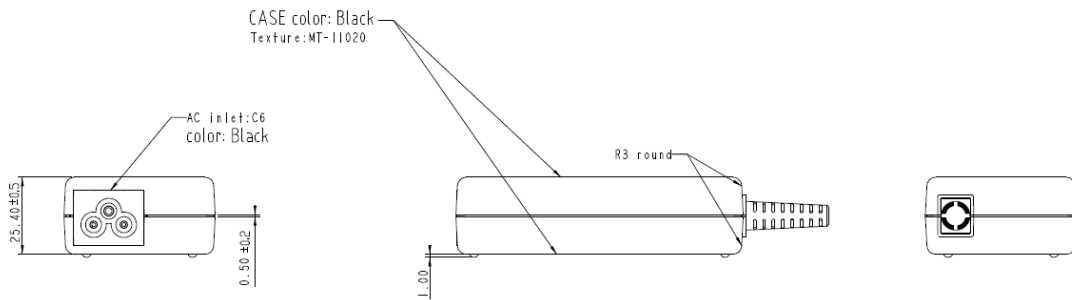
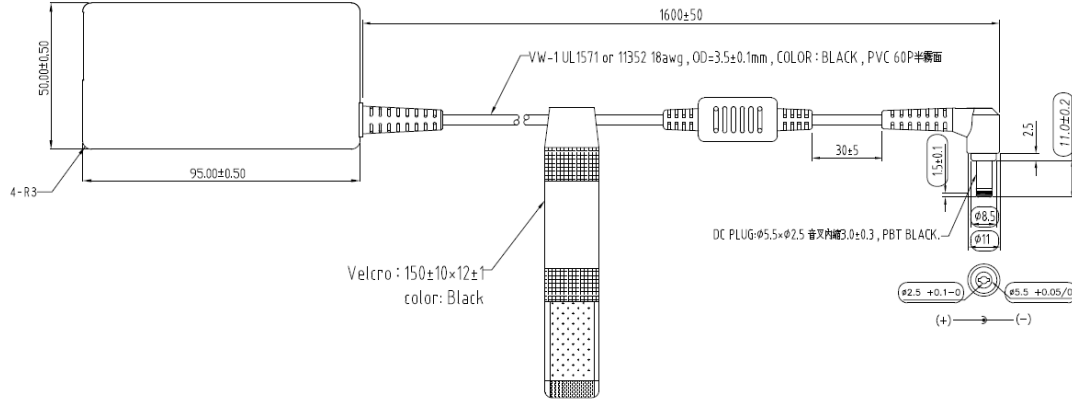
Input		
Voltage	100.00 – 240.00VAC ±10%, 50-60Hz	
Current	1.70A max.	
Standby power	< 0.21W @ no load	
Output		
Voltage	19.00VDC ± 5%; Ripple < 300mV _{pk-pk}	
Power	65.00W max.	
Current	3.42A max.	
Protection	Short circuit, over-voltage, over-current, over-temperature	
Environmental		
Ambient temperature	Operation: 0°C to 40°C	Storage: -30°C to 80°C
Pressure & Altitude	1060hPa to 533hPa -382m to 5000m	1060hPa to 533hPa -382m to 5000m
Humidity (non-condensing)	8% to 90% r.H.	5% to 95% r.H.
Mechanical Details		
Housing dimensions (LxWxH)	95 x 50 x 25.4mm, without cables and connectors	
Output cable length	1600mm ±50mm	
Weight	270g, without input cable	
AC input socket	IEC 320 C6 Type	
Standard output connector	DC barrel jack, 5.5 x 2.5 x 11mm	
General		
Efficiency	California's Energy Efficiency Level VI	
Cooling	Convection cooled	
Green procurement	RoHS 2011/65/EU + 2015/863/EU REACH 1907/2006 WEEE 2012/19/EU Chinese RoHS	
MTBF	100,000h at 25°C ambient	
Safety & EMC		
Regulatory approvals	Europe International USA & Canada Australia & New Zealand Russia & Eurasian Customs Union Korea China Japan India Taiwan Mexico Singapore Argentina South Africa Morocco United Kingdom	EN62368-1 (CE) IEC62368-1 (CB) FCC, cULus RCM EAC KC CCC PSE BIS BSMI NOM Safety Mark IRAM SABS CMIM UKCA
Electromagnetic Emissions	Europe USA	EN55032, EN55024 FCC15 class B
Electromagnetic Immunity	ESD immunity Electromagnetic field immunity EFT / Burst Surge Conducted Immunity Magnetic Fields Voltage dips	EN/IEC61000-4-2 EN/IEC61000-4-3 EN/IEC61000-4-4 EN/IEC61000-4-5 EN/IEC61000-4-6 EN/IEC61000-4-8 EN/IEC61000-4-11
Energy Efficiency		DOE

Recommended Accessories

Type	Product	P/N	Application
3-pol AC-Cable	US-Version	210950	Country specific power cables
	EU-Version	210951	
	UK-Version	211133	
	AU-Version	211134	



Drawing



Germany/Headquarters

RRC power solutions GmbH
Technologiepark 1
66424 Homburg / Saar

Tel.: +49 6841 98090
Fax: +49 6841 9809280
Email: sales@rrc-ps.de
Web: www.rrc-ps.com

USA

RRC power solutions Inc.
18340 Yorba Linda Blvd.,
107-437
Yorba Linda, CA 92886

Tel.: +1 714 777 3604
Fax: +1 714 777 3658
Email: usa@rrc-ps.com
Web: www.rrc-ps.com

Hong Kong

RRC power solutions Ltd.
S-V,6/F, Valiant Industrial
Centre 2-12 Au Pui Wan Street
Fo Tan, N.T., Hong Kong

Tel.: +852 2376 0106
Fax: +852 2375 0107
Email: hkrrc@rrc-ps.cn
Web: www.rrc-ps.cn

China

RRC power solutions Ltd.
Room 1306, C Building,
Tianan International building,
Renmin South Road, Luohu
District, Shenzhen 518021

Tel.: +86 755 8374 1908
Fax: +86 755 8374 1861
Email: hkrrc@rrc-ps.cn
Web: www.rrc-ps.cn

X-ON Electronics

Largest Supplier of Electrical and Electronic Components

Click to view similar products for [Desktop AC Adapters](#) category:

Click to view products by [RRC Power Solutions](#) manufacturer:

Other Similar products are found below :

[212A2136](#) [ADP485-01](#) [SWA-1202](#) [SWA-1501](#) [212A2220](#) [432703037451](#) [KR8-PS01](#) [1894875](#) [FWE050024B-10A](#) [820A4080G](#) [825A0057-03](#) [SWA-1704W](#) [AD5012N2LM-\(401\)](#) [TRH21A120-49E03-Level-VI](#) [FWC100024A-11A](#) [FWE050012B-10A](#) [AC-DC ADAPTER 90W w/ Cable](#) [FWA065024A-11A](#) [PSA120U-560L6](#) [96PSA-A63W18V1-M](#) [1895235](#) [PW-C0725-W2-B](#) [57-U1](#) [57-U2](#) [CENB1040A1245F02](#) [SED80N2-16.0](#) [SED80N3-16.0](#) [RFQ43442-01](#) [YS50-1903150](#) [PCM50UT04](#) [PCM50UT05](#) [Adapter 24V230W FSP230-AAAN3 WIRE FSP](#) [TRH100A240-11E12 VI](#) [TR70MB360-01E03 VI](#) [TRH50A240-11E01 VI](#) [TRE36A120-01G03 VI](#) [TRH100A180-11E12 VI](#) [AMA65DR4-120054Y](#) [AMA90DR4-240037Y](#) [AMA90DR5-120075Y](#) [AMA24DR4-120150Y](#) [AMA24DR5-120150Y](#) [AMA36DR4-120250Y](#) [TRE36A050-11G02 VI](#) [TRE36A090-11G03 VI](#) [TRE36A120-11G03 VI](#) [TRE36A135-11G03 VI](#) [TRE36A150-11G03 VI](#) [TRE36A180-11G03 VI](#) [TRE36A240-11G03 VI](#)