

RRC-MC11-90-2

Battery Mating Connector

P/N: 210520



Features:

- Mating connector for standard battery form factors RRC11xx
- 2.00A max. charge or discharge current to battery
- 4-pin male spring pin connector
- 2.5mm pitch
- RoHS and REACH compliant

Applications:

Mating connector for RRC's semi smart batteries used in medical and industrial applications

Specification

Ratings	
Current	2.00A max. / pin
Voltage	12.00VDC

Materials	
Housing	Thermoplastic High Temperature, UL 94 V-0, black
Contacts	Copper Alloy
Plating	G/F on contact area, G/F on solder tails

Environmental Condition	
Operating Temperature	-40°C to +105°C

Electrical Requirements	
Contact Resistance	40mOhm max.
Insulation Resistance	1000mOhm min. @ 500VDC / 2min
Dielectric withstand	No breakdown @ 500V RMS

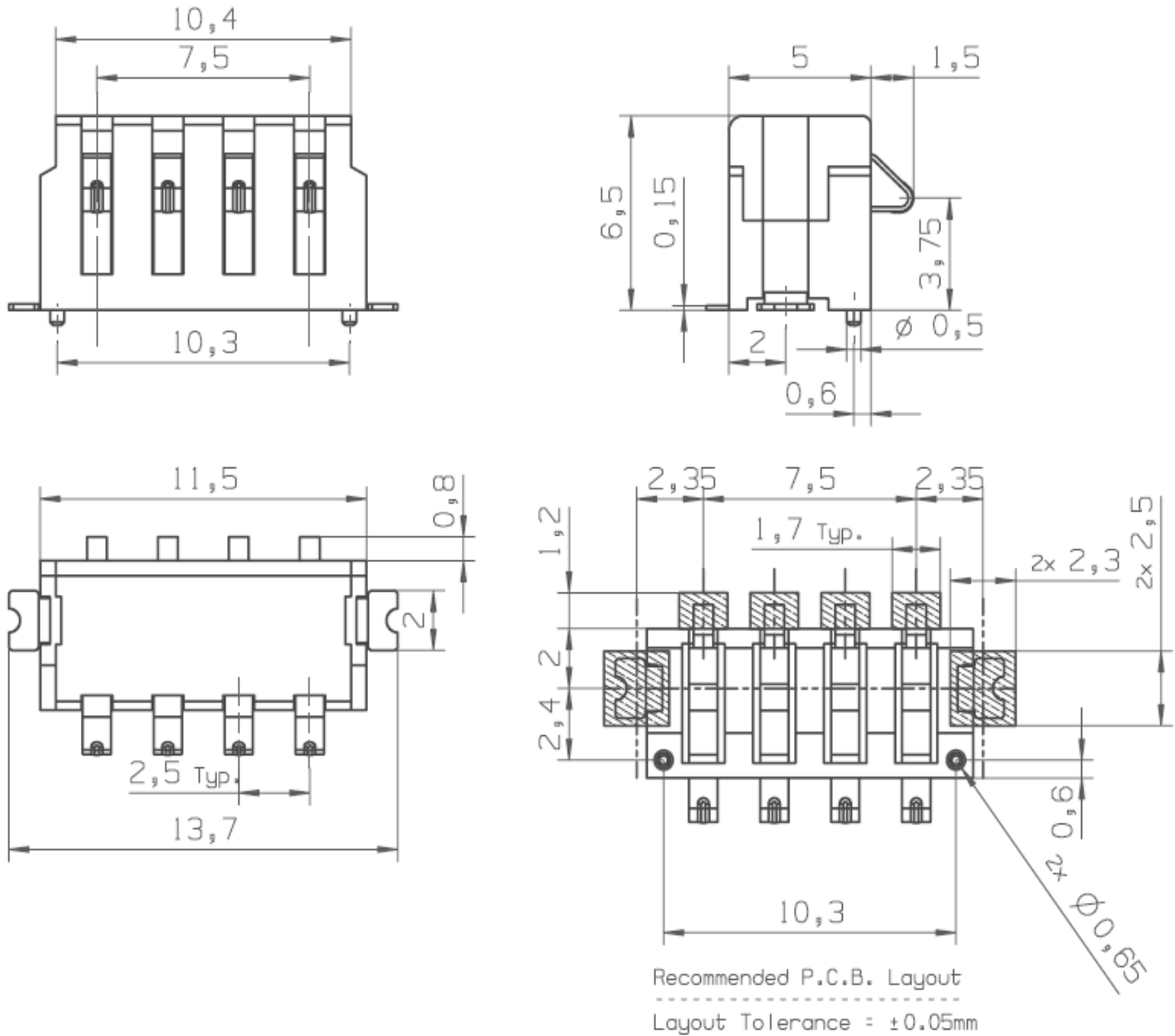
Mechanical Requirements	
Dimensions (LxWxH)	11.5mm x 5.0mm x 6.5mm
Weight	<1g
PCB mounting	SMT 90°
Contact Retention Force	300gf min. / pin

Physical Requirements	
Solder Temperature	260°C ± 5°C
Immersion Period	5sec (EIA-364-56C)

Regulatory Approvals	
Green Procurement	RoHS REACH

Packaging	
44 connectors per tube	
144 tubes per carton	

Drawings



DIMENSION IN mm			
Tolerance unless otherwise specified			
X.	± 0.30	X.°	± 10°
X.X	± 0.20	X.X°	± 5°
X.XX	± 0.15	X.XX°	± 2°

Germany/Headquarters

RRC power solutions GmbH
Technologiepark 1
66424 Homburg / Saar

Tel.: +49 6841 98090
Fax: +49 6841 9809280
Email: sales@rrc-ps.de
Web: www.rrc-ps.com

USA

RRC power solutions Inc.
18340 Yorba Linda Blvd.,
107-437 Yorba Linda,
CA 92886

Tel.: +1 714 777 3604
Fax: +1 714 777 3658
Email: usa@rrc-ps.com
Web: www.rrc-ps.com

Hong Kong

RRC power solutions Ltd.
S-V,6/F, Valiant Industrial
Centre 2-12 Au Pui Wan Street
Fo Tan, N.T., Hong Kong

Tel.: +852 2376 0106
Fax: +852 2375 0107
Email: hkrrc@rrc-ps.cn
Web: www.rrc-ps.cn

China

RRC power solutions Ltd.
Room 1306, C Building,
Tianan International building,
Renmin South Road, Luohu
District, Shenzhen 518021

Tel.: +86 755 8374 1908
Fax: +86 755 8374 1861
Email: hkrrc@rrc-ps.cn
Web: www.rrc-ps.cn

X-ON Electronics

Largest Supplier of Electrical and Electronic Components

Click to view similar products for [Battery Contacts](#) category:

Click to view products by [RRC Power Solutions](#) manufacturer:

Other Similar products are found below :

[3.5MM-UNIVERSAL-CONTACT](#) [009155003001013](#) [RRC-MC21-90-10](#) [550TR](#) [47507-0010](#) [47615-0001](#) [110](#) [1189](#) [120](#) [120220-0202](#)
[120220-0206](#) [1241](#) [113](#) [114](#) [118](#) [2199206-1](#) [2470RB](#) [2472](#) [2472RB](#) [118TR](#) [120220-0204](#) [120220-0210](#) [120TR](#) [117](#) [122TR](#) [111](#) [120220-](#)
[0312](#) [5330TR](#) [009155003741006](#) [122](#) [5331TR](#) [009155002741006](#) [1083TR](#) [498TR](#) [556TR](#) [009155005741006](#) [009155006741006](#) [70ADJ-3-](#)
[FL1G](#) [1902937-1](#) [497](#) [5203](#) [5219](#) [5225](#) [550](#) [553](#) [555](#) [556](#) [9155004002016](#) [009155002101006](#) [009155002201006](#)