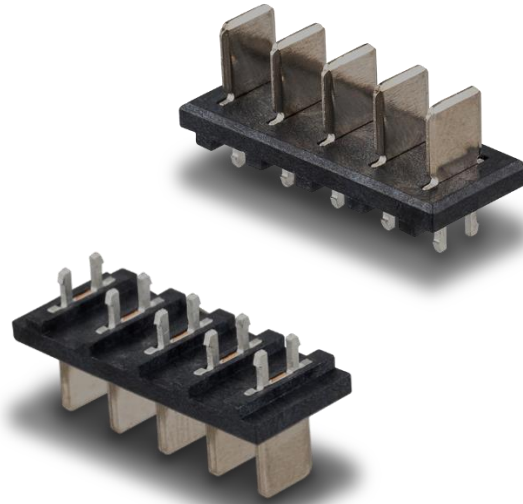


# RRC-MC20-180-10

## Battery Mating Connector

P/N: 210518



### Features:

- Mating connector for standard battery form factors RRC20xx
- 10.00A max. charge or discharge current to battery
- 5-pin male connector
- 5mm pitch
- RoHS and REACH compliant

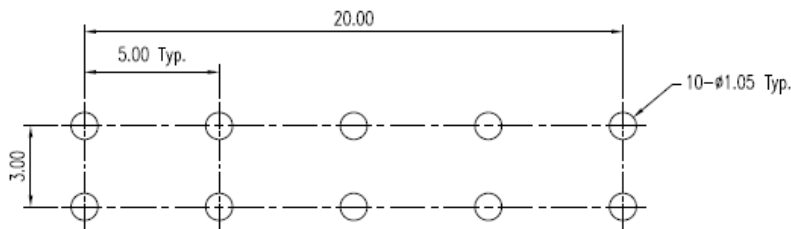
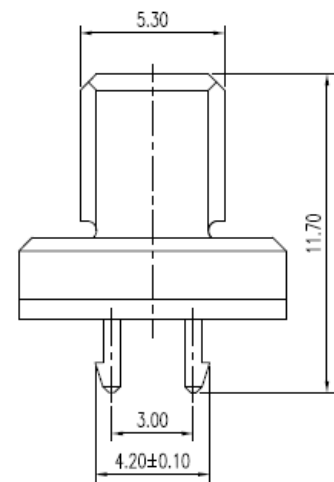
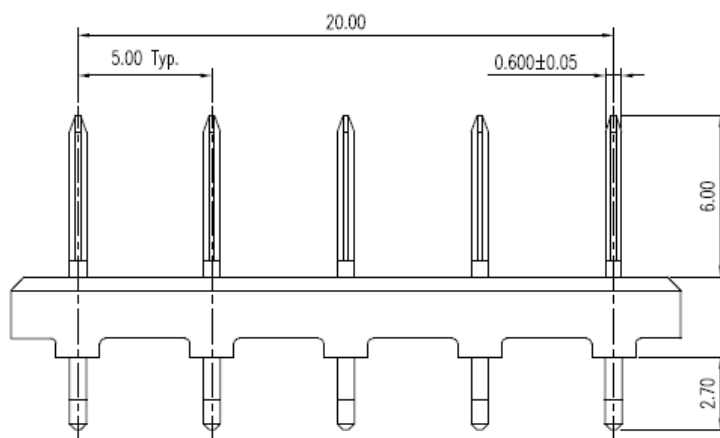
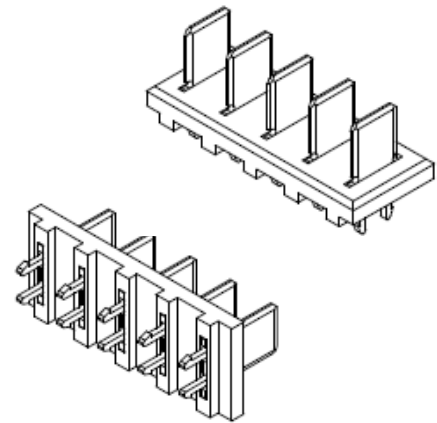
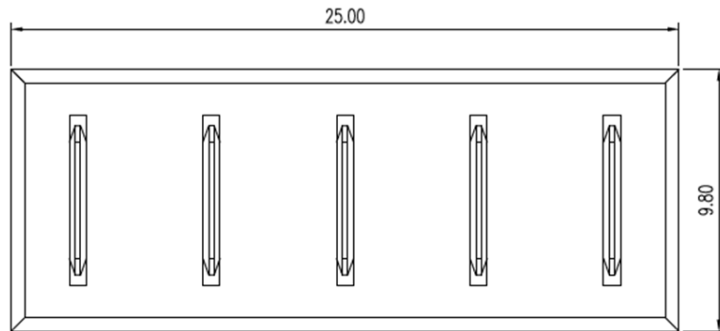
### Applications:

Mating connector for RRC's smart batteries used in medical, industrial and consumer applications

## Specification

Ratings	
Current	10.00A max. / pin
Voltage	125.00VAC / 1min
Materials	
Housing	Thermoplastic High Temperature, UL 94 V-0, black
Contacts	Copper Alloy
Plating	80µin Nickel on contact area, 100µin Matte-Tin on solder tails
Environmental Condition	
Operating Temperature	-55°C to +105°C
Electrical Requirements	
Contact Resistance	30mOhm max.
Insulation Resistance	100mOhm min. at 500VDC / 2min
Dielectric withstand	500.00V
Mechanical Requirements	
Dimensions (LxWxH)	25mm x 11.70mm x 9.80mm
Weight	Typical 3g
PCB mounting	180°
Contact Retention Force	500g min. / pin
Durability	5000 cycles
Physical Requirements	
Solder Temperature	260°C ± 5°C
Immersion Period	5sec (EIA-364-56C)
Regulatory Approvals	
Green Procurement	RoHS REACH
Packaging	
24 connectors per tube	
110 tubes per carton	

**Drawings**



**Germany/Headquarters**

RRC power solutions GmbH  
Technologiepark 1  
66424 Homburg / Saar

Tel.: +49 6841 98090  
Fax: +49 6841 9809280  
Email: sales@rrc-ps.de  
Web: www.rrc-ps.com

**USA**

RRC power solutions Inc.  
18340 Yorba Linda Blvd.,  
# 107-437 Yorba Linda,  
CA 92886

Tel.: +1 714 777 3604  
Fax: +1 714 777 3658  
Email: usa@rrc-ps.com  
Web: www.rrc-ps.com

**Hong Kong**

RRC power solutions Ltd.  
S-V,6/F, Valiant Industrial  
Centre 2-12 Au Pui Wan Street  
Fo Tan, N.T., Hong Kong

Tel.: +852 2376 0106  
Fax: +852 2375 0107  
Email: hkrrc@rrc-ps.cn  
Web: www.rrc-ps.cn

**China**

RRC power solutions Ltd.  
Room 1306, C Building,  
Tianan International building,  
Renmin South Road, Luohu  
District, Shenzhen 518021

Tel.: +86 755 8374 1908  
Fax: +86 755 8374 1861  
Email: hkrrc@rrc-ps.cn  
Web: www.rrc-ps.cn

## X-ON Electronics

Largest Supplier of Electrical and Electronic Components

*Click to view similar products for [Battery Contacts](#) category:*

*Click to view products by [RRC Power Solutions](#) manufacturer:*

Other Similar products are found below :

[3.5MM-UNIVERSAL-CONTACT](#) [120220-0311](#) [101267-209](#) [009155003001013](#) [RRC-MC21-90-10](#) [1011-1](#) [72](#) [1189](#) [120](#) [120220-0202](#)  
[120220-0206](#) [1241](#) [120220-0204](#) [120220-0210](#) [117](#) [111](#) [497](#) [5203](#) [5219](#) [5225](#) [550](#) [553](#) [555](#) [556](#) [202-02970-00518](#) [009155002100006](#)  
[009155002101006](#) [009155002201006](#) [009155002301006](#) [009155002401006](#) [009155002402006](#) [009155002541006](#) [009155002852006](#)  
[009155003001016](#) [009155003002016](#) [009155003003016](#) [009155003100006](#) [009155003101006](#) [009155003201006](#) [009155003301006](#)  
[009155003401006](#) [009155003402006](#) [009155003541006](#) [009155003852006](#) [009155004001016](#) [009155004002016](#) [009155004003016](#)  
[009155004201006](#) [009155004301006](#) [009155004401006](#)