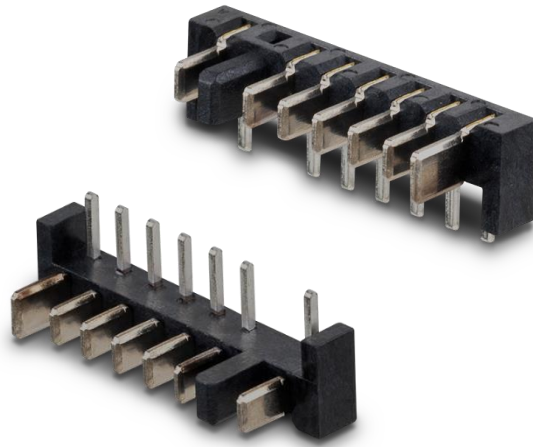


RRC-MC21-90-10

Battery Mating Connector

P/N: 211268



Features:

- Mating connector for standard battery form factors RRC21xx
- 7.00A max. charge or discharge current to battery
- 7-pin male connector
- 2.5mm pitch
- RoHS and REACH compliant

Applications:

Mating connector for RRC's smart batteries used in medical, industrial and consumer applications

Specification

Ratings	
Current	7.00A max. / pin
Voltage	30.00VDC

Materials	
Housing	Thermoplastic High Temperature, UL 94 V-0, black
Contacts	Copper Alloy
Plating	50µin Nickel on contact area, 100µin Matte-Tin on solder tails

Environmental Condition	
Operating Temperature	-40°C to +105°C

Electrical Requirements	
Contact Resistance	40mOhm max.
Insulation Resistance	100mOhm min. at 500VDC / 1min
Dielectric withstand	500.00VAC / 1min

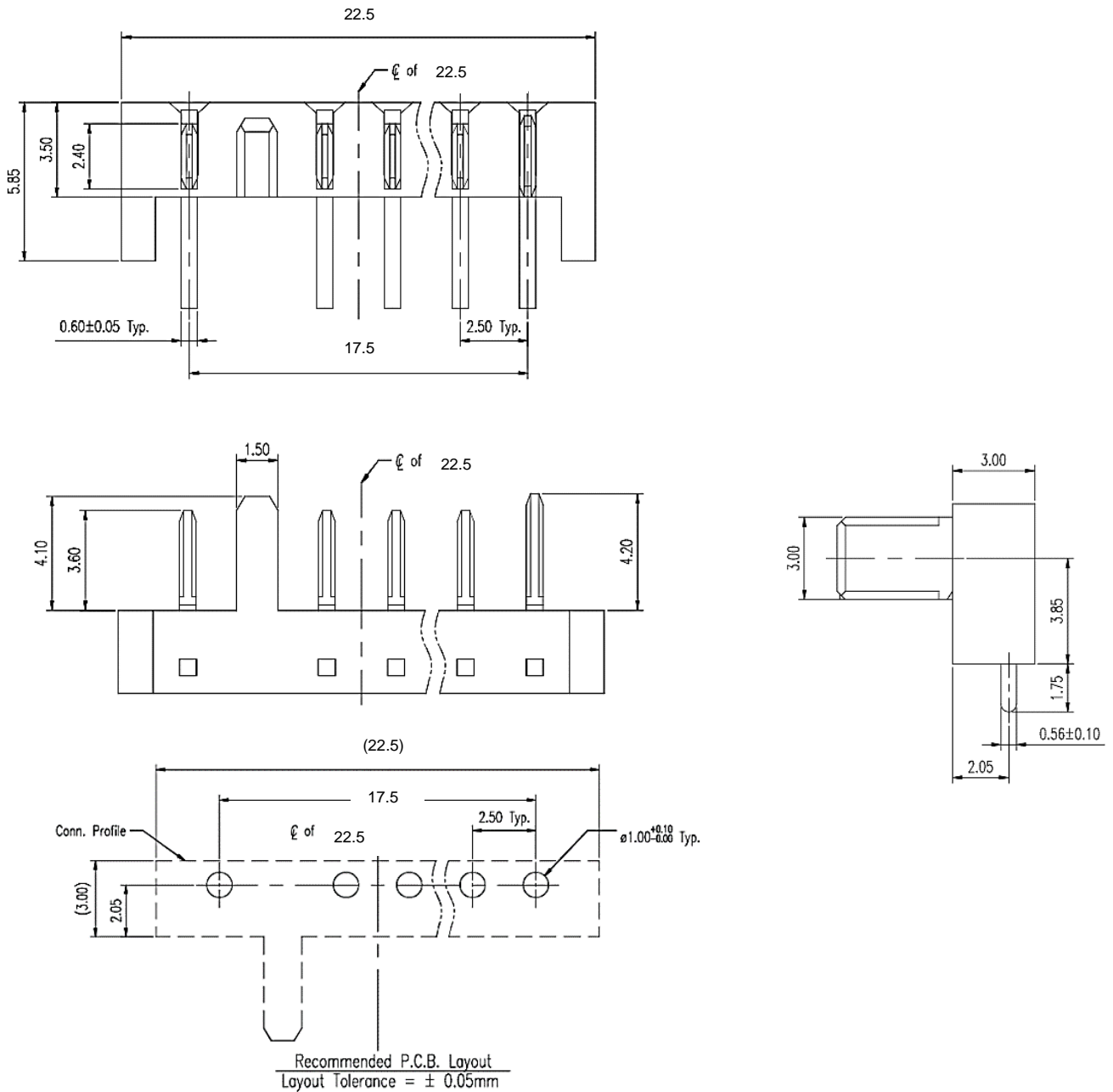
Mechanical Requirements	
Dimensions (LxWxH)	22.50mm x 7.20mm x 5.85mm
Weight	Typical 1g
PCB mounting	90°
Contact Retention Force	300g min. / pin

Physical Requirements	
Solder Temperature	260°C ± 5°C
Immersion Period	5sec (EIA-364-56C)

Regulatory Approvals	
Green Procurement	RoHS REACH

Packaging	
27 connectors per tube	
168 tubes per carton	

Drawings



Germany/Headquarters

RRC power solutions GmbH
Technologiepark 1
66424 Homburg / Saar

Tel.: +49 6841 98090
Fax: +49 6841 9809280
Email: sales@rrc-ps.de
Web: www.rrc-ps.com

USA

RRC power solutions Inc.
18340 Yorba Linda Blvd.,
107-437 Yorba Linda,
CA 92886

Tel.: +1 714 777 3604
Fax: +1 714 777 3658
Email: usa@rrc-ps.com
Web: www.rrc-ps.com

Hong Kong

RRC power solutions Ltd.
S-V,6/F, Valiant Industrial
Centre 2-12 Au Pui Wan Street
Fo Tan, N.T., Hong Kong

Tel.: +852 2376 0106
Fax: +852 2375 0107
Email: hkrrc@rrc-ps.cn
Web: www.rrc-ps.cn

China

RRC power solutions Ltd.
Room 1306, C Building,
Tianan International building,
Renmin South Road, Luohu
District, Shenzhen 518021

Tel.: +86 755 8374 1908
Fax: +86 755 8374 1861
Email: hkrrc@rrc-ps.cn
Web: www.rrc-ps.cn

X-ON Electronics

Largest Supplier of Electrical and Electronic Components

Click to view similar products for [Battery Contacts](#) category:

Click to view products by [RRC Power Solutions](#) manufacturer:

Other Similar products are found below :

[3.5MM-UNIVERSAL-CONTACT](#) [120220-0311](#) [101267-209](#) [009155003001013](#) [RRC-MC21-90-10](#) [1011-1](#) [72](#) [1189](#) [120](#) [120220-0202](#)
[120220-0206](#) [1241](#) [120220-0204](#) [120220-0210](#) [117](#) [111](#) [497](#) [5203](#) [5219](#) [5225](#) [550](#) [553](#) [555](#) [556](#) [202-02970-00518](#) [009155002100006](#)
[009155002101006](#) [009155002201006](#) [009155002301006](#) [009155002401006](#) [009155002402006](#) [009155002541006](#) [009155002852006](#)
[009155003001016](#) [009155003002016](#) [009155003003016](#) [009155003101006](#) [009155003201006](#) [009155003301006](#) [009155003401006](#)
[009155003402006](#) [009155003541006](#) [009155003852006](#) [009155004002016](#) [009155004003016](#) [009155004201006](#) [009155004301006](#)
[009155004401006](#) [009155004402006](#) [009155004541006](#)