

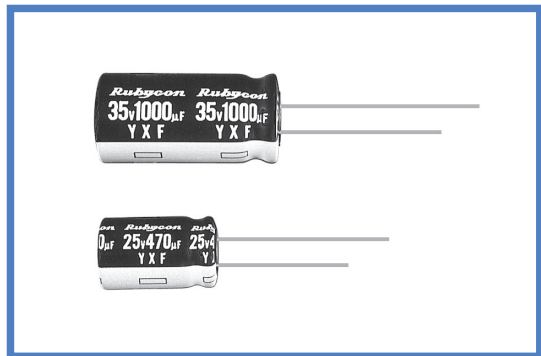
YXF 系列

SERIES

105°C长寿命 低阻抗品
105°C Long Life, Low Impedance

◆特 长 / FEATURES

- 105°C、4000~10000小时品。
Load Life : 105°C 4000~10000 hours.
- 高频阻抗规格设定。
Prescribe Impedance value at 100 kHz.
- RoHS指令对应品
RoHS compliance.



◆规格表 / SPECIFICATIONS

| 项 目 Items | 特 性 Characteristics | | | | | | | | | | | | | | | | | | | | | | | | | | | | | | |
|---|---|-------------------------------|---|-------------------|----------------------|------|------|-----------|---------------|------------------------------|--|------------------|------|------|--------------------------|---|---------|------|------|------|--|------------------|------|-------|---|---|---|---|---|---|--|
| 工作温度范围 Category Temperature Range | -40~+105°C | | | | | | | | | | | | | | | | | | | | | | | | | | | | | | |
| 额定电压范围 Rated Voltage Range | 6.3~100Vdc | | | | | | | | | | | | | | | | | | | | | | | | | | | | | | |
| 静电容量允许差 Capacitance Tolerance | ±20% (20°C, 120Hz) | | | | | | | | | | | | | | | | | | | | | | | | | | | | | | |
| 漏 电 流 Leakage Current(MAX) | <p>小于I=0.01CV和3µA中的较大值 (施加额定电压2分钟后) I=0.01CV or 3µA whichever is greater. (After 2 minutes)</p> <p>I=漏电流 (µA) C=静电容量 (µF) V=额定电压 (Vdc) Leakage Current Capacitance Rated Voltage</p> | | | | | | | | | | | | | | | | | | | | | | | | | | | | | | |
| 损失角正切值 (tan δ) Dissipation Factor(MAX) | <table border="1"> <tr> <td>额定电压 (Vdc) Rated Voltage</td> <td>6.3</td> <td>10</td> <td>16</td> <td>25</td> <td>35</td> <td>50</td> <td>63</td> <td>100</td> <td>(20°C, 120Hz)</td> </tr> <tr> <td>tan δ</td> <td>0.22</td> <td>0.19</td> <td>0.16</td> <td>0.14</td> <td>0.12</td> <td>0.10</td> <td>0.09</td> <td>0.08</td> <td></td> </tr> </table> <p>对于静电容量超过1000µF的产品, 其静电容量每增加1000µF, 则损失角正切值在上表值的基础上加上0.02。 When capacitance is over 1000µF, tan δ shall be added 0.02 to the listed value with increase of every 1000µF.</p> | 额定电压 (Vdc) Rated Voltage | 6.3 | 10 | 16 | 25 | 35 | 50 | 63 | 100 | (20°C, 120Hz) | tan δ | 0.22 | 0.19 | 0.16 | 0.14 | 0.12 | 0.10 | 0.09 | 0.08 | | | | | | | | | | | |
| 额定电压 (Vdc) Rated Voltage | 6.3 | 10 | 16 | 25 | 35 | 50 | 63 | 100 | (20°C, 120Hz) | | | | | | | | | | | | | | | | | | | | | | |
| tan δ | 0.22 | 0.19 | 0.16 | 0.14 | 0.12 | 0.10 | 0.09 | 0.08 | | | | | | | | | | | | | | | | | | | | | | | |
| 耐 久 性 Endurance | <p>在105°C环境中, 不超过额定电压的范围内叠加额定纹波电流, 连续加载右表时间后, 满足以下各项要求。 After applying rated voltage with rated ripple current for specified time at 105°C, the capacitors shall meet the following requirements.</p> <table border="1"> <tr> <td rowspan="2">静电容量变化率 Capacitance Change</td> <td>初期值的±25%以内 Within ±25% of the initial value.</td> <td rowspan="2">铝壳尺寸 Case Size</td> <td colspan="2">时间(hrs) Life Time</td> </tr> <tr> <td></td> <td>6.3~10Vdc</td> <td>16~100Vdc</td> </tr> <tr> <td>损失角正切值 Dissipation Factor</td> <td>规格值的200%以下 Not more than 200% of the specified value.</td> <td>φD≤6.3</td> <td>4000</td> <td>5000</td> </tr> <tr> <td>漏 电 流 Leakage Current</td> <td>规格值以下 Not more than the specified value.</td> <td>φD=8,10</td> <td>6000</td> <td>7000</td> </tr> <tr> <td></td> <td></td> <td>φD=12.5</td> <td>8000</td> <td>10000</td> </tr> </table> | 静电容量变化率 Capacitance Change | 初期值的±25%以内 Within ±25% of the initial value. | 铝壳尺寸 Case Size | 时间(hrs) Life Time | | | 6.3~10Vdc | 16~100Vdc | 损失角正切值 Dissipation Factor | 规格值的200%以下 Not more than 200% of the specified value. | φD≤6.3 | 4000 | 5000 | 漏 电 流 Leakage Current | 规格值以下 Not more than the specified value. | φD=8,10 | 6000 | 7000 | | | φD=12.5 | 8000 | 10000 | | | | | | | |
| 静电容量变化率 Capacitance Change | 初期值的±25%以内 Within ±25% of the initial value. | | 铝壳尺寸 Case Size | | 时间(hrs) Life Time | | | | | | | | | | | | | | | | | | | | | | | | | | |
| | | 6.3~10Vdc | | 16~100Vdc | | | | | | | | | | | | | | | | | | | | | | | | | | | |
| 损失角正切值 Dissipation Factor | 规格值的200%以下 Not more than 200% of the specified value. | φD≤6.3 | 4000 | 5000 | | | | | | | | | | | | | | | | | | | | | | | | | | | |
| 漏 电 流 Leakage Current | 规格值以下 Not more than the specified value. | φD=8,10 | 6000 | 7000 | | | | | | | | | | | | | | | | | | | | | | | | | | | |
| | | φD=12.5 | 8000 | 10000 | | | | | | | | | | | | | | | | | | | | | | | | | | | |
| 低 温 特 性 Low Temperature Stability (阻抗比) Impedance Ratio(MAX) | <table border="1"> <tr> <td>额定电压 (Vdc) Rated Voltage</td> <td>6.3</td> <td>10</td> <td>16</td> <td>25</td> <td>35</td> <td>50</td> <td>63</td> <td>100</td> <td>(120Hz)</td> </tr> <tr> <td>Z(-25°C)/Z(20°C)</td> <td>4</td> <td>3</td> <td>2</td> <td>2</td> <td>2</td> <td>2</td> <td>2</td> <td>2</td> <td></td> </tr> <tr> <td>Z(-40°C)/Z(20°C)</td> <td>8</td> <td>6</td> <td>4</td> <td>3</td> <td>3</td> <td>3</td> <td>3</td> <td>3</td> <td></td> </tr> </table> | 额定电压 (Vdc) Rated Voltage | 6.3 | 10 | 16 | 25 | 35 | 50 | 63 | 100 | (120Hz) | Z(-25°C)/Z(20°C) | 4 | 3 | 2 | 2 | 2 | 2 | 2 | 2 | | Z(-40°C)/Z(20°C) | 8 | 6 | 4 | 3 | 3 | 3 | 3 | 3 | |
| 额定电压 (Vdc) Rated Voltage | 6.3 | 10 | 16 | 25 | 35 | 50 | 63 | 100 | (120Hz) | | | | | | | | | | | | | | | | | | | | | | |
| Z(-25°C)/Z(20°C) | 4 | 3 | 2 | 2 | 2 | 2 | 2 | 2 | | | | | | | | | | | | | | | | | | | | | | | |
| Z(-40°C)/Z(20°C) | 8 | 6 | 4 | 3 | 3 | 3 | 3 | 3 | | | | | | | | | | | | | | | | | | | | | | | |

◆纹波电流修正系数 / MULTIPLIER FOR RIPPLE CURRENT

| 频率 (Hz) Frequency | 120 | 1k | 10k | 100k ≤ |
|----------------------|------|------|------|--------|
| 1µF | 0.35 | 0.60 | 0.80 | 1.00 |
| 2.2~10µF | 0.42 | 0.60 | 0.80 | 1.00 |
| 22~33µF | 0.55 | 0.75 | 0.90 | 1.00 |
| 47~330µF | 0.70 | 0.85 | 0.95 | 1.00 |
| 470~1000µF | 0.75 | 0.90 | 0.98 | 1.00 |
| 2200~15000µF | 0.80 | 0.95 | 1.00 | 1.00 |

◆副记号 / OPTION

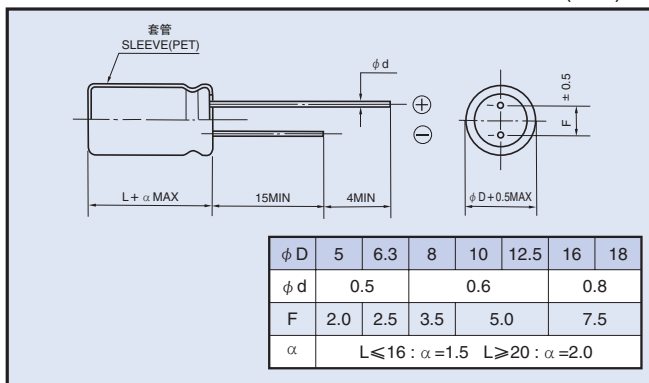
| 副记号 Code | 记号 Code |
|------------------|---------|
| PET套管 PET Sleeve | EFC |

◆产品型号体系 / PART NUMBER

| | | | | | | |
|-----------------------|----------------|---------------------|----------------------------------|---------------|------------------------|-------------------|
| □□□ | YXF | □□□□□ | M | □□□ | □□ | D×L |
| 额定电压 Rated Voltage | 系列名称 Series | 静电容量 Capacitance | 静电容量允许差 Capacitance Tolerance | 副记号 Option | 引线加工记号 Lead Forming | 铝壳尺寸 Case Size |

◆尺寸图 / DIMENSIONS

(mm)



◆标准品一览表 / STANDARD SIZE

| 额定电压 Rated Voltage (Vdc) | 静电容量 Capacitance (μF) | 外形尺寸 Size φ D×L(mm) | 额定纹波电流 Rated ripple current (mA r.m.s./105°C, 100kHz) | 阻抗 (Ω MAX) Impedance | |
|--------------------------------|--------------------------|---------------------------|---|-------------------------|---------------|
| | | | | 20°C, 100kHz | -10°C, 100kHz |
| 6.3 | 100 | 5×11 | 150 | 0.90 | 3.6 |
| | 220 | 6.3×11 | 250 | 0.40 | 1.6 |
| | 330 | 6.3×11 | 250 | 0.40 | 1.6 |
| | 470 | 8×11.5 | 400 | 0.25 | 1.0 |
| | 1000 | 10×12.5 | 580 | 0.16 | 0.65 |
| | 2200 | 12.5×20 | 1300 | 0.062 | 0.21 |
| | 3300 | 12.5×20 | 1300 | 0.062 | 0.21 |
| | 4700 | 16×25 | 1850 | 0.034 | 0.096 |
| | 6800 | 16×25 | 1850 | 0.034 | 0.096 |
| | 10000 | 16×31.5 | 2000 | 0.029 | 0.087 |
| 15000 | 18×35.5 | 2200 | 0.025 | 0.058 | |
| 10 | 100 | 5×11 | 150 | 0.90 | 3.6 |
| | 220 | 6.3×11 | 250 | 0.40 | 1.6 |
| | 330 | 8×11.5 | 400 | 0.25 | 1.0 |
| | 470 | 8×11.5 | 400 | 0.25 | 1.0 |
| | 1000 | 10×16 | 770 | 0.12 | 0.46 |
| | 2200 | 12.5×20 | 1300 | 0.062 | 0.21 |
| | 3300 | 12.5×25 | 1650 | 0.048 | 0.16 |
| | 4700 | 16×25 | 1850 | 0.034 | 0.096 |
| | 6800 | 16×31.5 | 2000 | 0.029 | 0.087 |
| 10000 | 18×35.5 | 2200 | 0.025 | 0.058 | |
| 16 | 47 | 5×11 | 150 | 0.90 | 3.6 |
| | 100 | 6.3×11 | 250 | 0.40 | 1.6 |
| | 220 | 8×11.5 | 400 | 0.25 | 1.0 |
| | 330 | 8×11.5 | 400 | 0.25 | 1.0 |
| | 470 | 10×12.5 | 580 | 0.16 | 0.65 |
| | 1000 | 10×20 | 1050 | 0.078 | 0.30 |
| | 2200 | 12.5×25 | 1650 | 0.048 | 0.16 |
| | 3300 | 16×25 | 1850 | 0.034 | 0.096 |
| 4700 | 16×31.5 | 2000 | 0.029 | 0.087 | |
| 6800 | 18×35.5 | 2200 | 0.025 | 0.058 | |
| 25 | 33 | 5×11 | 150 | 0.90 | 3.6 |
| | 47 | 5×11 | 150 | 0.90 | 3.6 |
| | 100 | 6.3×11 | 250 | 0.40 | 1.6 |
| | 220 | 8×11.5 | 400 | 0.25 | 1.0 |
| | 330 | 10×12.5 | 580 | 0.16 | 0.65 |
| | 470 | 10×16 | 770 | 0.12 | 0.46 |
| | 1000 | 12.5×20 | 1300 | 0.062 | 0.21 |
| | 2200 | 16×25 | 1850 | 0.034 | 0.096 |
| 3300 | 16×31.5 | 2000 | 0.029 | 0.087 | |
| 4700 | 18×35.5 | 2200 | 0.025 | 0.058 | |
| 35 | 33 | 5×11 | 150 | 0.90 | 3.6 |
| | 47 | 6.3×11 | 250 | 0.40 | 1.6 |
| | 100 | 8×11.5 | 400 | 0.25 | 1.0 |
| | 220 | 10×12.5 | 580 | 0.16 | 0.65 |
| | 330 | 10×16 | 770 | 0.12 | 0.46 |
| | 470 | 10×20 | 1050 | 0.078 | 0.30 |
| | 1000 | 12.5×25 | 1650 | 0.048 | 0.16 |
| | 2200 | 16×31.5 | 2000 | 0.029 | 0.087 |
| 3300 | 18×35.5 | 2200 | 0.025 | 0.058 | |

| 额定电压 Rated Voltage (Vdc) | 静电容量 Capacitance (μF) | 外形尺寸 Size φ D×L(mm) | 额定纹波电流 Rated ripple current (mA r.m.s./105°C, 100kHz) | 阻抗 (Ω MAX) Impedance | |
|--------------------------------|--------------------------|---------------------------|---|-------------------------|---------------|
| | | | | 20°C, 100kHz | -10°C, 100kHz |
| 50 | 1 | 5×11 | 30 | 4.0 | 8.0 |
| | 2.2 | 5×11 | 43 | 2.5 | 6.0 |
| | 3.3 | 5×11 | 53 | 2.2 | 5.6 |
| | 4.7 | 5×11 | 88 | 1.9 | 5.0 |
| | 10 | 5×11 | 100 | 1.5 | 4.0 |
| | 22 | 5×11 | 150 | 0.90 | 3.6 |
| | 33 | 6.3×11 | 250 | 0.40 | 1.6 |
| | 47 | 6.3×11 | 250 | 0.40 | 1.6 |
| | 100 | 8×11.5 | 400 | 0.25 | 1.0 |
| | 220 | 10×16 | 770 | 0.12 | 0.46 |
| | 330 | 10×20 | 1050 | 0.078 | 0.30 |
| | 470 | 12.5×20 | 1300 | 0.062 | 0.21 |
| | 1000 | 16×25 | 1850 | 0.034 | 0.096 |
| 2200 | 18×35.5 | 2200 | 0.025 | 0.058 | |
| 63 | 10 | 5×11 | 87 | 2.3 | 9.3 |
| | 22 | 6.3×11 | 140 | 1.3 | 5.2 |
| | 33 | 6.3×11 | 140 | 1.2 | 5.0 |
| | 47 | 8×11.5 | 210 | 0.63 | 2.8 |
| | 100 | 10×12.5 | 300 | 0.43 | 1.8 |
| | 220 | 10×20 | 520 | 0.21 | 0.84 |
| | 330 | 12.5×20 | 660 | 0.16 | 0.64 |
| | 470 | 12.5×25 | 750 | 0.12 | 0.45 |
| | 1000 | 16×31.5 | 1390 | 0.054 | 0.20 |
| 100 | 1 | 5×11 | 20 | 4.5 | 15.0 |
| | 2.2 | 5×11 | 30 | 3.0 | 13.0 |
| | 3.3 | 5×11 | 40 | 2.7 | 11.0 |
| | 4.7 | 5×11 | 65 | 2.5 | 10.0 |
| | 10 | 6.3×11 | 140 | 1.2 | 5.0 |
| | 22 | 8×11.5 | 160 | 0.63 | 2.8 |
| | 33 | 10×12.5 | 230 | 0.43 | 1.8 |
| | 47 | 10×16 | 290 | 0.31 | 1.5 |
| | 100 | 12.5×20 | 430 | 0.16 | 0.64 |
| | 220 | 16×25 | 900 | 0.073 | 0.27 |
| | 330 | 16×25 | 900 | 0.073 | 0.27 |

X-ON Electronics

Largest Supplier of Electrical and Electronic Components

Click to view similar products for [Aluminium Electrolytic Capacitors - Radial Leaded](#) category:

Click to view products by [Rubycon](#) manufacturer:

Other Similar products are found below :

[LXY50VB4.7M-5X11](#) [RFO-100V471MJ7P#](#) [ECE-A1EGE220](#) [B41041A2687M8](#) [B41041A7226M8](#) [B41044A7157M6](#)
[EKXG201EC3101ML20S](#) [EKZM160ETD471MHB5D](#) [NCD681K10KVY5PF](#) [NEV1000M25EF-BULK](#) [NEV100M35DC](#) [NEV100M63DE](#)
[NEV220M25DD-BULK](#) [NEV.33M100AA](#) [NEV4700M50HB](#) [NEV.47M100AA](#) [NEVH1.0M250AB](#) [NEVH3.3M250BB](#) [NEVH3.3M450CC](#)
[KM4700/16](#) [KME50VB100M-8X11.5](#) [SG220M1CSA-0407](#) [ES5107M016AE1DA](#) [ESMG160ETD102MJ16S](#) [ESX472M16B](#)
[SZ010M1500A5S-1015](#) [227RZS050M](#) [476CKH100MSA](#) [477RZS050M](#) [UVX1V101KPA1FA](#) [UVX1V222MHA1CA](#) [KME25VB100M-](#)
[6.3X11](#) [VTL100S10](#) [VTL470S10](#) [VTL470S16A](#) [511D336M250EK5D](#) [052687X](#) [ECE-A1CF471](#) [EKMA500ELL4R7ME07D](#) [NRE-](#)
[S560M16V6.3X7TBSTF](#) [RGA221M1CTA-0611G](#) [ERZA630VHN182UP54N](#) [UPL1A331MPH](#) [SK035M0100AZS-0611](#) [NEV1000M6.3DE](#)
[NEV100M16CB](#) [NEV100M50DD-BULK](#) [NEV2200M16FF](#) [NEV220M50EE](#) [NEV2.2M50AA](#)