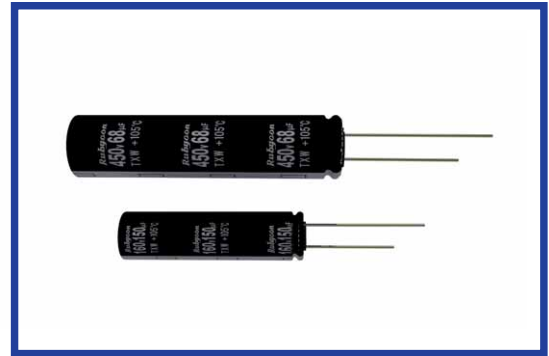


**TXW SERIES**
**105°C Long Life(7000~12000 hours), Miniaturized**

•Temperature Range : -40°C~+105°C

RoHS compliance


**◆SPECIFICATIONS**

Items	Characteristics								
Category Temperature Range	-40~+105°C								
Rated Voltage Range	35~100Vdc	160~450Vdc							
Capacitance Tolerance	±20% (20°C, 120Hz)								
Leakage Current(MAX)	I=0.01CV or 3µA whichever is greater. (After 2 minutes)								
	I=3√CV (After 5 minutes application of rated voltage)								
	I=Leakage Current(µA)	C=Capacitance(µF)      V=Rated Voltage(Vdc)							
Dissipation Factor(MAX) (tanδ)	Rated Voltage (V)	35    50    63    80    100    160~400    420, 450							
	tanδ	0.12    0.10    0.09    0.08    0.08    0.20    0.25							
Endurance	After applying rated voltage with rated ripple current for specified time at 105°C, the capacitors shall meet the following requirements.								
		35~100Vdc		160~450Vdc		Case Size			
	Capacitance Change	Within ±25% of the initial value.		Within ±20% of the initial value.		Life Time (hrs)			
	Dissipation Factor	Not more than 200% of the specified value.					35~100Vdc    160~450Vdc		
Leakage Current	Not more than the specified value.					φ6.3    7000    -			
						φD≥8    10000    12000			
Low Temperature Stability Impedance Ratio(MAX)	Rated Voltage (Vdc)	35	50	63	80	100	160~250	350, 400	420, 450
	Z(-25°C)/Z(20°C)	2	2	2	2	2	3	5	6
	Z(-40°C)/Z(20°C)	3	3	3	3	3	-	-	-

**◆MULTIPLIER FOR RIPPLE CURRENT**

35~100Vdc

Frequency (Hz)		120	1k	10k	100k≤
Coefficient	33µF	0.42	0.70	0.90	1.00
	39~270µF	0.50	0.73	0.92	1.00
	330~680µF	0.55	0.77	0.94	1.00
	820~1800µF	0.60	0.80	0.96	1.00

160~450Vdc

Frequency (Hz)		60 (50)	120	500	1k	10k≤
Coefficient	160~250Vdc	0.80	1.00	1.20	1.30	1.40
	350~450Vdc	0.80	1.00	1.25	1.40	1.50

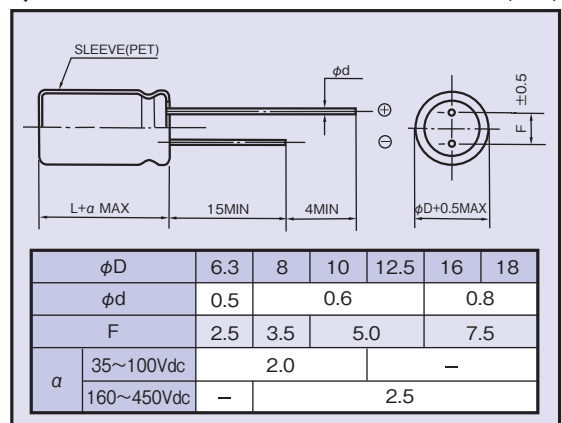
**◆OPTION**

		Code
PET Sleeve	35~100Vdc	EFC
	160~450Vdc	EFR *

\*PET Sleeve -25~+105°C (EFC) is also available, please consult our sales offices.

**◆DIMENSIONS**

(mm)


**◆PART NUMBER**

□□□	TXW	□□□□	M	□□□	□□	DXL
Rated Voltage	Series	Capacitance	Capacitance Tolerance	Option	Lead Forming	Case Size

**◆STANDARD SIZE**

Rated Voltage (Vdc)	Capacitance (μF)	Size φD×L (mm)	Rated Ripple Current (A r.m.s./105°C)	
			120Hz	100kHz
35	180	6.3×25	0.605	1.21
	220	6.3×30	0.685	1.37
	330	6.3×40	0.924	1.68
	390	6.3×50	1.11	2.02
	390	8×25	0.951	1.73
	470	8×30	1.11	2.03
	680	8×40	1.41	2.57
	820	8×50	1.82	3.04
	820	10×30	1.48	2.47
	1000	8×60	2.08	3.48
	1200	10×40	1.87	3.12
	1500	10×50	2.21	3.69
	1800	10×60	2.50	4.17
50	100	6.3×25	0.510	1.02
	120	6.3×30	0.580	1.16
	180	6.3×40	0.710	1.42
	220	6.3×50	0.860	1.72
	220	8×25	0.740	1.48
	270	8×30	0.870	1.74
	390	8×40	1.22	2.23
	470	8×50	1.45	2.65
	470	10×30	1.22	2.22
	560	8×60	1.68	3.07
	680	10×40	1.55	2.82
	820	10×50	2.02	3.37
	1000	10×60	2.31	3.86
63	82	6.3×25	0.455	0.910
	100	6.3×30	0.515	1.03
	150	6.3×40	0.635	1.27
	180	6.3×50	0.775	1.55
	180	8×25	0.665	1.33
	220	8×30	0.785	1.57
	330	8×40	1.11	2.02
	390	8×50	1.32	2.41
	390	10×30	1.16	2.10
	470	8×60	1.54	2.80
	560	10×40	1.43	2.60
	680	10×50	1.71	3.12
	820	10×60	2.15	3.59
80	47	6.3×25	0.455	0.910
	56	6.3×30	0.515	1.03
	82	6.3×40	0.635	1.27
	100	6.3×50	0.775	1.55
	100	8×25	0.665	1.33
	120	8×30	0.785	1.57
	180	8×40	1.01	2.02
	220	8×50	1.20	2.41
	220	10×30	1.05	2.10
	270	8×60	1.40	2.80
	270	10×40	1.30	2.60
	390	10×50	1.71	3.12
	470	10×60	1.97	3.59
100	33	6.3×25	0.382	0.910
	39	6.3×30	0.515	1.03
	56	6.3×40	0.635	1.27
	68	6.3×50	0.775	1.55
	82	8×25	0.665	1.33
	100	8×30	0.785	1.57
	120	8×40	1.01	2.02
	150	8×50	1.20	2.41
	150	10×30	1.05	2.10
	150	10×30	1.05	2.10

Rated Voltage (Vdc)	Capacitance (μF)	Size φD×L (mm)	Rated Ripple Current (A r.m.s./105°C)	
			120Hz	100kHz
100	220	8×60	1.40	2.80
	220	10×40	1.30	2.60
	270	10×50	1.56	3.12
	330	10×60	1.97	3.59
	330	10×60	1.97	3.59
160	56	8×25	0.32	0.448
	68	8×30	0.37	0.518
	82	8×35	0.43	0.602
	82	10×25	0.43	0.602
	100	8×40	0.49	0.686
	120	8×55	0.57	0.798
	120	10×30	0.54	0.756
	150	10×40	0.67	0.938
	150	12.5×25	0.66	0.924
	180	10×50	0.80	1.12
	180	12.5×30	0.77	1.07
	220	10×60	0.94	1.31
	220	12.5×35	0.89	1.24
	220	16×25	0.93	1.30
	270	12.5×40	1.01	1.41
	330	12.5×50	1.20	1.68
	330	16×30	1.20	1.68
	330	18×25	1.18	1.65
	390	12.5×55	1.35	1.89
	390	16×35	1.34	1.87
	390	18×30	1.40	1.96
	470	16×40	1.52	2.12
	470	18×35	1.58	2.21
560	16×50	1.79	2.50	
560	18×40	1.78	2.49	
680	18×45	2.00	2.80	
820	18×50	2.23	3.12	
200	39	8×25	0.30	0.420
	56	8×30	0.37	0.518
	68	8×40	0.45	0.630
	68	10×25	0.43	0.602
	82	8×45	0.51	0.714
	82	10×30	0.50	0.700
	100	8×55	0.60	0.840
	100	10×40	0.63	0.882
	120	10×45	0.75	1.05
	120	12.5×25	0.65	0.910
	150	10×50	0.83	1.16
	150	12.5×30	0.80	1.12
	180	10×60	0.91	1.27
	180	12.5×35	0.92	1.28
	180	16×25	0.85	1.19
	220	12.5×45	1.09	1.52
	220	16×30	1.01	1.41
	220	18×25	1.00	1.40
	270	12.5×50	1.26	1.76
	270	16×30	1.18	1.65
	270	18×30	1.16	1.62
	330	12.5×60	1.36	1.90
	330	16×40	1.31	1.83
330	18×30	1.30	1.82	
390	16×45	1.43	2.00	
390	18×35	1.43	2.00	
470	16×50	1.58	2.21	
470	18×40	1.58	2.21	
560	18×45	1.77	2.47	

\*When ordering 8x55, 8x60, 10x55, 10x60 size, please consult our sales offices.

**◆STANDARD SIZE**

Rated Voltage (Vdc)	Capacitance (μF)	Size φD×L (mm)	Rated Ripple Current (A r.m.s./105°C)	
			120Hz	100kHz
220	100	10×40	0.66	0.924
	120	10×45	0.75	1.05
	120	12.5×30	0.74	1.03
	150	12.5×35	0.86	1.20
	150	16×25	0.80	1.12
	180	12.5×40	0.99	1.38
	180	16×30	0.94	1.31
	220	12.5×50	1.08	1.51
	220	16×30	1.01	1.41
	220	18×25	0.94	1.31
	270	16×35	1.19	1.66
	270	18×30	1.13	1.58
	330	18×35	1.30	1.82
	390	18×40	1.49	2.08
470	18×45	1.69	2.36	
250	27	8×25	0.30	0.420
	39	8×30	0.37	0.518
	47	8×35	0.45	0.630
	47	10×25	0.37	0.518
	56	8×40	0.51	0.714
	56	10×30	0.42	0.588
	68	8×50	0.59	0.826
	68	10×35	0.49	0.686
	82	10×40	0.61	0.854
	82	12.5×25	0.54	0.756
	100	10×45	0.68	0.952
	100	12.5×30	0.69	0.966
	120	10×55	0.73	1.02
	120	12.5×35	0.79	1.10
	120	16×25	0.74	1.03
	150	12.5×40	0.92	1.28
	150	16×30	0.89	1.24
	180	12.5×50	0.97	1.35
	180	16×30	0.95	1.33
	180	18×25	0.88	1.23
	220	12.5×55	1.13	1.58
	220	16×35	1.11	1.55
	220	18×30	1.10	1.54
	270	16×40	1.27	1.77
270	18×35	1.23	1.72	
330	16×50	1.48	2.07	
330	18×40	1.42	1.98	
390	18×45	1.59	2.22	
470	18×50	1.83	2.56	
350	22	8×30	0.25	0.375
	27	8×35	0.29	0.435
	33	8×40	0.33	0.495
	33	10×25	0.31	0.465
	39	8×45	0.37	0.555
	39	10×30	0.36	0.540
	47	8×60	0.43	0.645
	47	10×35	0.41	0.615
	56	10×40	0.47	0.705
	68	10×55	0.55	0.825
400	12	8×25	0.17	0.255
	15	8×30	0.20	0.300
	18	8×35	0.23	0.345
	22	8×40	0.26	0.390
	22	10×25	0.24	0.360
	27	8×45	0.30	0.450

Rated Voltage (Vdc)	Capacitance (μF)	Size φD×L (mm)	Rated Ripple Current (A r.m.s./105°C)		
			120Hz	100kHz	
400	27	10×30	0.29	0.435	
	33	8×55	0.35	0.525	
	33	10×35	0.33	0.495	
	39	10×40	0.40	0.600	
	39	12.5×25	0.36	0.540	
	47	10×45	0.45	0.675	
	47	12.5×30	0.44	0.660	
	56	10×50	0.52	0.780	
	56	12.5×35	0.50	0.750	
	68	12.5×40	0.58	0.870	
	68	16×25	0.51	0.765	
	82	12.5×45	0.65	0.975	
	82	16×30	0.61	0.915	
	82	18×25	0.61	0.915	
	100	12.5×60	0.75	1.12	
	100	16×35	0.74	1.11	
	100	18×30	0.74	1.11	
	120	16×40	0.80	1.20	
	120	18×35	0.79	1.18	
	150	16×50	0.95	1.42	
	150	18×40	0.91	1.36	
	180	18×45	1.04	1.56	
	420	12	8×30	0.13	0.195
		15	8×35	0.17	0.255
18		8×40	0.20	0.300	
22		8×50	0.25	0.375	
33		10×40	0.37	0.555	
39		10×45	0.41	0.615	
39		12.5×30	0.39	0.585	
47		12.5×35	0.45	0.675	
56		12.5×40	0.52	0.780	
56		16×25	0.46	0.690	
68		12.5×45	0.58	0.870	
68		16×30	0.55	0.825	
82		12.5×50	0.66	0.990	
82		16×35	0.63	0.945	
82		18×25	0.56	0.840	
100		16×40	0.73	1.09	
100		18×30	0.67	1.00	
120		18×35	0.77	1.15	
150	18×40	0.90	1.35		
450	12	8×30	0.15	0.225	
	15	8×40	0.19	0.285	
	18	8×45	0.21	0.315	
	33	10×40	0.36	0.540	
	33	12.5×30	0.37	0.555	
	39	10×50	0.41	0.615	
	39	12.5×35	0.42	0.630	
	47	12.5×40	0.48	0.720	
	47	16×25	0.44	0.660	
	56	12.5×45	0.53	0.795	
	56	16×30	0.51	0.765	
	68	12.5×50	0.62	0.930	
	68	16×35	0.59	0.885	
	68	18×25	0.57	0.855	
	82	16×40	0.68	1.02	
82	18×30	0.65	0.975		
100	18×35	0.74	1.11		
120	18×40	0.83	1.24		
150	18×45	0.95	1.42		

\*When ordering 8x55, 8x60, 10x55, 10x60 size, please consult our sales offices.

## X-ON Electronics

Largest Supplier of Electrical and Electronic Components

*Click to view similar products for [Aluminium Electrolytic Capacitors - Radial Leaded](#) category:*

*Click to view products by [Rubycon](#) manufacturer:*

Other Similar products are found below :

[NRELS102M35V16X16C.140LLF](#) [ESRG160ETC100MD07D](#) [227RZS050M](#) [335CKR250M](#) [476CKH100MSA](#) [477CKR100M](#)  
[107CKR010M](#) [107CKH063MSA](#) [RJH-25V222MI9#](#) [RJH-35V221MG5#](#) [B43827A1106M8](#) [RJH-50V221MH6#](#) [EKYA500ELL470MF11D](#)  
[B41022A5686M6](#) [ESRG250ELL101MH09D](#) [EKMA160EC3101MF07D](#) [RJB-10V471MG3#](#) [ESMG160ETD221MF11D](#)  
[EKZH160ETD152MJ20S](#) [RJH-35V122MJ6#](#) [EGXF630ELL621ML20S](#) [RBD-25V100KE3#N](#) [EKMA350ELL100ME07D](#)  
[ESMG160ETD101ME11D](#) [ELXY100ETD102MJ20S](#) [EGXF500ELL561ML15S](#) [EKMG350ETD471MJ16S](#) [35YXA330MEFC10X12.5](#)  
[RXW471M1ESA-0815](#) [ELXZ630ELL221MJ25S](#) [ERR1HM1R0D11OT](#) [LPE681M30060FVA](#) [LPL471M22030FVA](#) [HFE221M25030FVA](#)  
[LKMD1401H221MF](#) [B41888G6108M000](#) [EKMA160ETD470MF07D](#) [UHW1J102MHD6](#) [EKMG500ETD221MJC5S](#) [LKMK2502W101MF](#)  
[LKMD1401H181MF](#) [LKMI2502G820MF](#) [LKMJ2001J122MF](#) [LKML2501C472MF](#) [LKMJ4002C681MF](#) [450MXH330MEFCSN25X45](#)  
[450MXK330MA2RFC22X50](#) [63ZLH560MEFCG412.5X30](#) [ELH2DM331O25KT](#) [ELH2DM471P30KT](#)