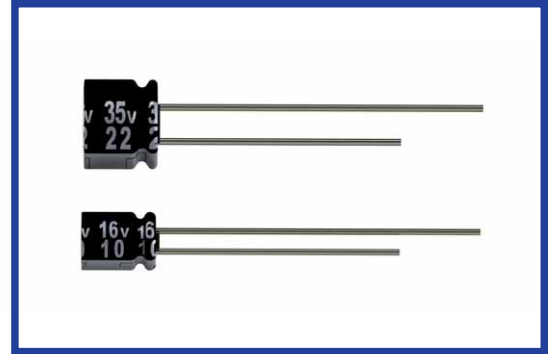


**MH5 SERIES**

105°C 5mm Height

\*Load Life : 105°C 1000 hours.

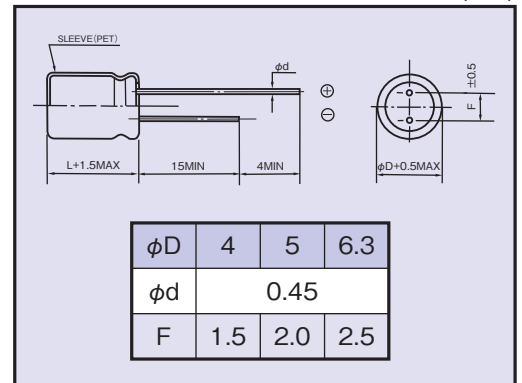


**SPECIFICATIONS**

Items	Characteristics																								
Category Temperature Range	-40~+105°C																								
Rated Voltage Range	6.3~50Vdc																								
Capacitance Tolerance	±20% (20°C, 120Hz)																								
Leakage Current(MAX)	I=0.01CV or 3μA whichever is greater. (After 2 minutes application of rated voltage) I=Leakage Current(μA) C=Capacitance(μF) V=Rated Voltage(Vdc)																								
Dissipation Factor(MAX) (tanδ)	<table border="1"> <tr> <td>Rated Voltage (Vdc)</td> <td>6.3</td> <td>10</td> <td>16</td> <td>25</td> <td>35</td> <td>50</td> <td>(20°C, 120Hz)</td> </tr> <tr> <td>tanδ</td> <td>0.28</td> <td>0.24</td> <td>0.20</td> <td>0.16</td> <td>0.13</td> <td>0.12</td> <td></td> </tr> </table>	Rated Voltage (Vdc)	6.3	10	16	25	35	50	(20°C, 120Hz)	tanδ	0.28	0.24	0.20	0.16	0.13	0.12									
Rated Voltage (Vdc)	6.3	10	16	25	35	50	(20°C, 120Hz)																		
tanδ	0.28	0.24	0.20	0.16	0.13	0.12																			
Endurance	After applying rated voltage with rated ripple current for 1000 hours at 105°C, the capacitors shall meet the following requirements. <table border="1"> <tr> <td>Capacitance Change</td> <td>Within ±25% of the initial value.</td> </tr> <tr> <td>Dissipation Factor</td> <td>Not more than 200% of the specified value.</td> </tr> <tr> <td>Leakage Current</td> <td>Not more than the specified value.</td> </tr> </table>	Capacitance Change	Within ±25% of the initial value.	Dissipation Factor	Not more than 200% of the specified value.	Leakage Current	Not more than the specified value.																		
Capacitance Change	Within ±25% of the initial value.																								
Dissipation Factor	Not more than 200% of the specified value.																								
Leakage Current	Not more than the specified value.																								
Low Temperature Stability Impedance Ratio(MAX)	<table border="1"> <tr> <td>Rated Voltage (Vdc)</td> <td>6.3</td> <td>10</td> <td>16</td> <td>25</td> <td>35</td> <td>50</td> <td>(120Hz)</td> </tr> <tr> <td>Z(-25°C)/Z(20°C)</td> <td>3</td> <td>3</td> <td>2</td> <td>2</td> <td>2</td> <td>2</td> <td></td> </tr> <tr> <td>Z(-40°C)/Z(20°C)</td> <td>8</td> <td>5</td> <td>4</td> <td>3</td> <td>3</td> <td>3</td> <td></td> </tr> </table>	Rated Voltage (Vdc)	6.3	10	16	25	35	50	(120Hz)	Z(-25°C)/Z(20°C)	3	3	2	2	2	2		Z(-40°C)/Z(20°C)	8	5	4	3	3	3	
Rated Voltage (Vdc)	6.3	10	16	25	35	50	(120Hz)																		
Z(-25°C)/Z(20°C)	3	3	2	2	2	2																			
Z(-40°C)/Z(20°C)	8	5	4	3	3	3																			

**DIMENSIONS**

(mm)



**MULTIPLIER FOR RIPPLE CURRENT**

Frequency (Hz)	60(50)	120	500	1k	10k≤	
Coefficient	0.47~1μF	0.50	1.00	1.20	1.30	1.50
	2.2~4.7μF	0.65	1.00	1.20	1.30	1.50
	10~47μF	0.80	1.00	1.20	1.30	1.50
	100μF	0.80	1.00	1.10	1.15	1.20

**STANDARD SIZE** Size φD×L(mm), Rated Ripple Current (mA r.m.s./105°C, 120Hz)

Vdc	Cap (μF)	Size (φD×L)	Rated Ripple Current
6.3	22	4×5	23
	33	5×5	30
	47	5×5	37
	100	6.3×5	57
10	22	5×5	28
	33	5×5	34
	47	6.3×5	52
	100	6.3×5	62
16	10	4×5	20
	22	5×5	31
	33	6.3×5	48
	47	6.3×5	56
	100	6.3×5	62
25	10	5×5	22
	22	6.3×5	44
	33	6.3×5	48
	47	6.3×5	56
35	4.7	4×5	17
	10	5×5	24
	22	6.3×5	48
	50	0.47	4×5
1		4×5	8
2.2		4×5	13
3.3		4×5	14
4.7		5×5	18
10	6.3×5	28	

**OPTION**

	Code
PET Sleeve	EFC

**PART NUMBER**

□□□ / MH5 / □□□□□ / M / □□□ / □□ / DXL  
 Rated Voltage    Series    Capacitance    Capacitance Tolerance    Option    Lead Forming    Case Size

## X-ON Electronics

Largest Supplier of Electrical and Electronic Components

*Click to view similar products for [Aluminium Electrolytic Capacitors - Radial Leaded](#) category:*

*Click to view products by [Rubycon](#) manufacturer:*

Other Similar products are found below :

[LXY50VB4.7M-5X11](#) [RFO-100V471MJ7P#](#) [ECE-A1EGE220](#) [B41041A2687M8](#) [B41041A7226M8](#) [B41044A7157M6](#)  
[EKXG201EC3101ML20S](#) [EKZM160ETD471MHB5D](#) [NCD681K10KVY5PF](#) [NEV1000M25EF-BULK](#) [NEV100M35DC](#) [NEV100M63DE](#)  
[NEV220M25DD-BULK](#) [NEV.33M100AA](#) [NEV4700M50HB](#) [NEV.47M100AA](#) [NEVH1.0M250AB](#) [NEVH3.3M250BB](#) [NEVH3.3M450CC](#)  
[KM4700/16](#) [KME50VB100M-8X11.5](#) [SG220M1CSA-0407](#) [ES5107M016AE1DA](#) [ESMG160ETD102MJ16S](#) [ESX472M16B](#)  
[SZ010M1500A5S-1015](#) [227RZS050M](#) [476CKH100MSA](#) [UVX1V101KPA1FA](#) [UVX1V222MHA1CA](#) [KME25VB100M-6.3X11](#)  
[VTL100S10](#) [VTL470S10](#) [VTL470S16A](#) [511D336M250EK5D](#) [052687X](#) [ECE-A1CF471](#) [EKMA500ELL4R7ME07D](#) [NRE-](#)  
[S560M16V6.3X7TBSTF](#) [RGA221M1CTA-0611G](#) [ERZA630VHN182UP54N](#) [UPL1A331MPH](#) [MAL214658821E3](#) [NEV1000M6.3DE](#)  
[NEV100M16CB](#) [NEV100M50DD-BULK](#) [NEV2200M16FF](#) [NEV220M50EE](#) [NEV2.2M50AA](#) [NEV330M63EF](#)