

**YXS SERIES**
**NEW**
**105°C Miniaturized, Low Impedance**

• Load Life : 105°C 3000~6000 hours.

RoHS compliance


**◆ SPECIFICATIONS**

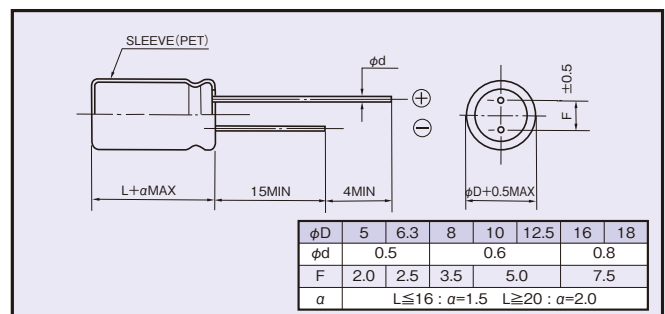
Items	Characteristics																								
Category Temperature Range	-40~+105°C																								
Rated Voltage Range	6.3~50Vdc																								
Capacitance Tolerance	±20% (20°C, 120Hz)																								
Leakage Current(MAX)	I=0.01CV or 3µA whichever is greater. (After 2 minutes) I=Leakage Current(µA) C=Capacitance(µF) V=Rated Voltage(Vdc)																								
Dissipation Factor(MAX)	<table border="1"> <tr> <td>Rated Voltage (Vdc)</td> <td>6.3</td> <td>10</td> <td>16</td> <td>25</td> <td>35</td> <td>50</td> <td>(20°C, 120Hz)</td> </tr> <tr> <td>tanδ</td> <td>0.22</td> <td>0.19</td> <td>0.16</td> <td>0.14</td> <td>0.12</td> <td>0.10</td> <td></td> </tr> </table> <p>When capacitance is over 1000µF, tan δ shall be added 0.02 to the listed value with increase of every 1000µF.</p>	Rated Voltage (Vdc)	6.3	10	16	25	35	50	(20°C, 120Hz)	tanδ	0.22	0.19	0.16	0.14	0.12	0.10									
Rated Voltage (Vdc)	6.3	10	16	25	35	50	(20°C, 120Hz)																		
tanδ	0.22	0.19	0.16	0.14	0.12	0.10																			
Endurance	<p>After applying rated voltage with rated ripple current for specified time at 105°C, the capacitors shall meet the following requirements.</p> <table border="1"> <tr> <td>Capacitance Change</td> <td>Within ±25% of the initial value. (6.3Vdc, 10Vdc : ±30%)</td> <td>Case Size</td> <td>Life Time (hrs)</td> </tr> <tr> <td>Dissipation Factor</td> <td>Not more than 200% of the specified value.</td> <td>5×11</td> <td>3000</td> </tr> <tr> <td>Leakage Current</td> <td>Not more than the specified value.</td> <td>6.3×11, 8×11.5</td> <td>4000</td> </tr> <tr> <td></td> <td></td> <td>8×16, 8×20, 10×12.5</td> <td>5000</td> </tr> <tr> <td></td> <td></td> <td>φ10 L≥16, φD≥12.5</td> <td>6000</td> </tr> </table>	Capacitance Change	Within ±25% of the initial value. (6.3Vdc, 10Vdc : ±30%)	Case Size	Life Time (hrs)	Dissipation Factor	Not more than 200% of the specified value.	5×11	3000	Leakage Current	Not more than the specified value.	6.3×11, 8×11.5	4000			8×16, 8×20, 10×12.5	5000			φ10 L≥16, φD≥12.5	6000				
Capacitance Change	Within ±25% of the initial value. (6.3Vdc, 10Vdc : ±30%)	Case Size	Life Time (hrs)																						
Dissipation Factor	Not more than 200% of the specified value.	5×11	3000																						
Leakage Current	Not more than the specified value.	6.3×11, 8×11.5	4000																						
		8×16, 8×20, 10×12.5	5000																						
		φ10 L≥16, φD≥12.5	6000																						
Low Temperature Stability Impedance Ratio(MAX)	<table border="1"> <tr> <td>Rated Voltage(Vdc)</td> <td>6.3</td> <td>10</td> <td>16</td> <td>25</td> <td>35</td> <td>50</td> <td>(120Hz)</td> </tr> <tr> <td>Z(-25°C)/Z(20°C)</td> <td>4</td> <td>3</td> <td>2</td> <td>2</td> <td>2</td> <td>2</td> <td></td> </tr> <tr> <td>Z(-40°C)/Z(20°C)</td> <td>8</td> <td>6</td> <td>4</td> <td>3</td> <td>3</td> <td>3</td> <td></td> </tr> </table>	Rated Voltage(Vdc)	6.3	10	16	25	35	50	(120Hz)	Z(-25°C)/Z(20°C)	4	3	2	2	2	2		Z(-40°C)/Z(20°C)	8	6	4	3	3	3	
Rated Voltage(Vdc)	6.3	10	16	25	35	50	(120Hz)																		
Z(-25°C)/Z(20°C)	4	3	2	2	2	2																			
Z(-40°C)/Z(20°C)	8	6	4	3	3	3																			

**◆ MULTIPLIER FOR RIPPLE CURRENT**

Frequency (Hz)		120	1k	10k	100k≤
Coefficient	22~33µF	0.42	0.70	0.90	1.00
	47~270µF	0.50	0.73	0.92	1.00
	330~680µF	0.55	0.77	0.94	1.00
	820~1800µF	0.60	0.80	0.96	1.00
	2200~22000µF	0.70	0.85	0.98	1.00

**◆ DIMENSIONS**

(mm)


**◆ PART NUMBER**

□□□	YXS	□□□□□	M	□□□	□□	DxL
Rated Voltage	Series	Capacitance	Capacitance Tolerance	Option	Lead Forming	Case Size

**◆ OPTION**

	Code
PET Sleeve	EFC

**◆STANDARD SIZE**

Rated Voltage (Vdc)	Capacitance (μF)	Size φD×L(mm)	Rated ripple current (mA r.m.s./105°C, 100kHz)	Impedance (Ω MAX)	
				20°C, 100kHz	-10°C, 100kHz
6.3	150	5×11	210	0.58	2.3
	220	5×11	210	0.58	2.3
	330	6.3×11	340	0.22	0.87
	470	6.3×11	340	0.22	0.87
	680	8×11.5	730	0.12	0.48
	820	8×16	1050	0.069	0.27
	1000	8×11.5	730	0.120	0.48
	1200	8×16	1050	0.069	0.27
	1200	10×12.5	1210	0.060	0.24
	1500	10×16	1450	0.046	0.18
	1800	10×20	1720	0.037	0.15
	2200	10×20	1720	0.037	0.15
	2700	10×23	1910	0.031	0.12
	2700	12.5×16	1730	0.040	0.12
	3300	12.5×16	1730	0.040	0.12
	3900	12.5×20	2160	0.028	0.089
	3900	16×16	1940	0.042	0.11
	4700	12.5×25	2650	0.024	0.065
	5600	12.5×25	2650	0.024	0.065
	5600	12.5×30	2880	0.020	0.065
	6800	12.5×35	3350	0.017	0.063
	6800	16×20	2540	0.021	0.060
8200	16×25	3060	0.017	0.050	
10000	16×31.5	3610	0.017	0.044	
10000	18×20	2860	0.026	0.060	
12000	16×35.5	4080	0.015	0.038	
12000	18×25	3140	0.019	0.045	
15000	18×31.5	4170	0.015	0.038	
18000	18×35.5	4280	0.014	0.032	
22000	18×40	4550	0.012	0.030	
10	100	5×11	210	0.58	2.3
	220	5×11	210	0.58	2.3
	220	6.3×11	340	0.22	0.87
	470	6.3×11	340	0.22	0.87
	680	8×11.5	730	0.120	0.48
	680	8×16	1050	0.069	0.27
	1000	8×16	1050	0.069	0.27
	1000	10×12.5	1210	0.060	0.24
	1200	10×16	1450	0.046	0.18
	1500	8×20	1650	0.042	0.17
	1500	10×16	1450	0.046	0.18
	1500	10×20	1720	0.037	0.15
	1800	10×20	1720	0.037	0.15
	2200	10×23	1910	0.031	0.12
	2200	12.5×16	1730	0.040	0.12
	2700	16×16	1940	0.042	0.11
	3300	12.5×20	2160	0.028	0.089
	3900	12.5×25	2650	0.024	0.065
	4700	12.5×30	2880	0.020	0.065
	5600	12.5×35	3350	0.017	0.063
	5600	16×20	2540	0.021	0.060
	6800	16×25	3060	0.017	0.050
6800	18×20	2860	0.026	0.060	
8200	16×31.5	3610	0.017	0.044	
8200	18×25	3140	0.019	0.045	
10000	16×35.5	4080	0.015	0.038	
10000	18×31.5	4170	0.015	0.038	
12000	18×35.5	4280	0.014	0.032	
15000	18×40	4550	0.012	0.030	

Rated Voltage (Vdc)	Capacitance (μF)	Size φD×L(mm)	Rated ripple current (mA r.m.s./105°C, 100kHz)	Impedance (Ω MAX)	
				20°C, 100kHz	-10°C, 100kHz
16	56	5×11	210	0.58	2.3
	120	5×11	210	0.58	2.3
	330	6.3×11	340	0.22	0.87
	470	8×11.5	730	0.120	0.48
	470	8×16	1050	0.069	0.27
	680	8×16	1050	0.069	0.27
	680	10×12.5	1210	0.060	0.24
	1000	8×20	1650	0.042	0.17
	1000	10×16	1450	0.046	0.18
	1000	10×20	1720	0.037	0.15
	1200	10×20	1720	0.037	0.15
	1500	10×20	1720	0.037	0.15
	1500	10×23	1910	0.031	0.12
	1500	12.5×16	1730	0.040	0.12
	1800	10×23	1910	0.031	0.12
	2200	10×25	2230	0.027	0.089
	2200	12.5×20	2160	0.028	0.089
	2200	16×16	1940	0.042	0.11
	2700	12.5×25	2650	0.024	0.065
	3300	12.5×30	2880	0.020	0.065
	3900	12.5×35	3350	0.017	0.063
	3900	16×20	2540	0.021	0.060
4700	16×25	3060	0.017	0.050	
4700	18×20	2860	0.026	0.060	
5600	16×31.5	3610	0.017	0.044	
5600	18×25	3140	0.019	0.045	
6800	16×35.5	4080	0.015	0.038	
8200	18×31.5	4170	0.015	0.038	
10000	18×35.5	4280	0.014	0.032	
12000	18×40	4550	0.012	0.030	
25	47	5×11	210	0.58	2.3
	100	5×11	210	0.58	2.3
	220	6.3×11	340	0.22	0.87
	330	8×11.5	730	0.120	0.48
	330	8×16	1050	0.069	0.27
	390	8×16	1050	0.069	0.27
	470	8×16	1050	0.069	0.27
	470	10×12.5	1210	0.060	0.24
	560	8×20	1650	0.042	0.17
	680	10×16	1450	0.046	0.18
	680	10×20	1720	0.037	0.15
	820	10×20	1720	0.037	0.15
	1000	10×20	1720	0.037	0.15
	1000	10×23	1910	0.031	0.12
	1000	12.5×16	1730	0.040	0.12
	1200	16×16	1940	0.042	0.11
	1500	12.5×20	2160	0.028	0.089
	1800	12.5×25	2650	0.024	0.065
	2200	12.5×30	2880	0.020	0.065
	2200	16×20	2540	0.021	0.060
	2700	12.5×35	3350	0.017	0.063
	2700	16×20	2540	0.021	0.060
3300	16×25	3060	0.017	0.050	
3300	18×20	2860	0.026	0.060	
3900	16×31.5	3610	0.017	0.044	
3900	18×25	3140	0.019	0.045	
4700	16×35.5	4080	0.015	0.038	
4700	18×31.5	4170	0.015	0.038	
5600	18×35.5	4280	0.014	0.032	
6800	18×40	4550	0.012	0.030	

**◆STANDARD SIZE**

Rated Voltage (Vdc)	Capacitance (μF)	Size φD×L(mm)	Rated ripple current (mA r.m.s./105°C, 100kHz)	Impedance (Ω MAX)	
				20°C, 100kHz	-10°C, 100kHz
35	33	5×11	210	0.58	2.3
	56	5×11	210	0.58	2.3
	150	8×11.5	730	0.12	0.48
	220	8×11.5	730	0.12	0.48
	220	8×16	1050	0.069	0.27
	270	8×16	1050	0.069	0.27
	330	10×12.5	1210	0.060	0.24
	390	8×20	1650	0.042	0.17
	470	10×16	1450	0.046	0.18
	470	10×20	1720	0.037	0.15
	560	10×20	1720	0.037	0.15
	680	10×23	1910	0.031	0.12
	680	12.5×16	1730	0.040	0.12
	1000	12.5×20	2160	0.028	0.089
	1000	16×16	1940	0.042	0.11
	1200	12.5×25	2650	0.024	0.065
	1500	12.5×30	2880	0.020	0.065
	1800	12.5×35	3350	0.017	0.063
	1800	16×20	2540	0.021	0.060
	2200	16×25	3060	0.017	0.050
2200	18×20	2860	0.026	0.060	
2700	16×31.5	3610	0.017	0.044	
2700	18×25	3140	0.019	0.045	
3300	16×35.5	4080	0.015	0.038	
3300	18×31.5	4170	0.015	0.038	
3900	18×35.5	4280	0.014	0.032	
4700	18×40	4550	0.012	0.030	
50	22	5×11	210	0.58	2.3
	56	6.3×11	340	0.22	0.87
	100	8×11.5	730	0.12	0.48
	120	8×11.5	730	0.12	0.48
	150	8×16	910	0.091	0.36
	180	8×16	910	0.091	0.36
	220	10×12.5	1050	0.084	0.34
	270	10×16	1220	0.060	0.24
	270	10×20	1440	0.055	0.22
	330	10×20	1440	0.055	0.22
	470	10×23	1690	0.043	0.17
	470	12.5×16	1670	0.045	0.15
	560	12.5×20	1950	0.034	0.11
	560	16×16	1830	0.054	0.15
	680	12.5×25	2510	0.025	0.083
	820	12.5×25	2510	0.025	0.083
	820	12.5×30	2680	0.024	0.077
	1000	12.5×35	2920	0.021	0.069
	1000	16×20	2460	0.025	0.075
	1200	16×25	2980	0.022	0.066
1200	18×20	2490	0.030	0.070	
1500	16×31.5	3150	0.019	0.057	
1800	16×35.5	3710	0.016	0.048	
1800	18×25	3150	0.022	0.057	
2200	18×31.5	3680	0.018	0.046	
2700	18×35.5	3800	0.014	0.038	
3300	18×40	4170	0.013	0.033	

## X-ON Electronics

Largest Supplier of Electrical and Electronic Components

*Click to view similar products for [Aluminium Electrolytic Capacitors - Radial Leaded](#) category:*

*Click to view products by [Rubycon](#) manufacturer:*

Other Similar products are found below :

[NRELS102M35V16X16C.140LLF](#) [ESRG160ETC100MD07D](#) [227RZS050M](#) [335CKR250M](#) [476CKH100MSA](#) [477CKR100M](#)  
[107CKR010M](#) [107CKH063MSA](#) [RJH-25V222MI9#](#) [RJH-35V221MG5#](#) [B43827A1106M8](#) [RJH-50V221MH6#](#) [EKYA500ELL470MF11D](#)  
[B41022A5686M6](#) [ESRG250ELL101MH09D](#) [EKMA160EC3101MF07D](#) [RJB-10V471MG3#](#) [ESMG160ETD221MF11D](#)  
[EKZH160ETD152MJ20S](#) [RJH-35V122MJ6#](#) [EGXF630ELL621ML20S](#) [RBD-25V100KE3#N](#) [EKMA350ELL100ME07D](#)  
[ESMG160ETD101ME11D](#) [ELXY100ETD102MJ20S](#) [EGXF500ELL561ML15S](#) [EKMG350ETD471MJ16S](#) [35YXA330MEFC10X12.5](#)  
[RXW471M1ESA-0815](#) [ELXZ630ELL221MJ25S](#) [ERR1HM1R0D11OT](#) [LPE681M30060FVA](#) [LPL471M22030FVA](#) [HFE221M25030FVA](#)  
[LKMD1401H221MF](#) [B41888G6108M000](#) [EKMA160ETD470MF07D](#) [UHW1J102MHD6](#) [EKMG500ETD221MJC5S](#) [LKMK2502W101MF](#)  
[LKMD1401H181MF](#) [LKMI2502G820MF](#) [LKMJ2001J122MF](#) [LKML2501C472MF](#) [LKMJ4002C681MF](#) [450MXH330MEFCSN25X45](#)  
[450MXK330MA2RFC22X50](#) [63ZLH560MEFCG412.5X30](#) [ELH2DM331O25KT](#) [ELH2DM471P30KT](#)