

ZLH 系列
SERIES

105°C小型化 长寿命 低阻抗品
105°C Miniaturized, Long Life, Low impedance.

◆特 长 / FEATURES

- 实现ZL系列的耐久性的提升与高容量化, 更降低了高频率阻抗。
Achieved endurance improvement and miniaturization of ZL series, as well as high frequency impedance reduction.
- 105°C、6000~10000小时品。
Load Life : 105°C 6000~10000hours.
- RoHS指令对应品。
RoHS compliance.



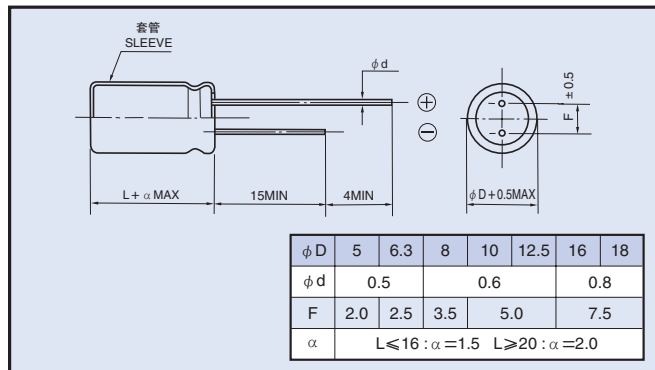
◆规格表 / SPECIFICATIONS

| 项 目 Items | 特 性 Characteristics | | | | | | | | | | | | | | | | | | | | | | | | | | | | | | | | | |
|---|--|-------------------------------|---|-------------------|-----------------------|------------------------------|--|-----------|------|--------------------------|---|---------------|------------------|------|------|----------|-------|------|------|------|------|------|--|------------------|---|---|---|---|---|---|---|---|---|--|
| 工作温度范围 Category Temperature Range | -40 ~ +105°C | | | | | | | | | | | | | | | | | | | | | | | | | | | | | | | | | |
| 额定电压范围 Rated Voltage Range | 6.3 ~ 100V.DC | | | | | | | | | | | | | | | | | | | | | | | | | | | | | | | | | |
| 静电容量允许差 Capacitance Tolerance | ±20% (20°C, 120Hz) | | | | | | | | | | | | | | | | | | | | | | | | | | | | | | | | | |
| 漏 电 流 Leakage Current(MAX) | 小于I=0.01CV和3µA中的较大值 (施加额定电压2分钟后) I=0.01CV or 3µA whichever is greater. (After 2 minutes) I=漏电流 (µA) Leakage Current C=额定静电容量 (µF) Rated Capacitance V=额定电压 (V) Rated Voltage | | | | | | | | | | | | | | | | | | | | | | | | | | | | | | | | | |
| 损失角正切值(tan δ) Dissipation Factor(MAX) | <table border="1"> <tr> <td>额定电压 (V) Rated Voltage</td> <td>6.3</td><td>10</td><td>16</td><td>25</td><td>35</td><td>50</td><td>63</td><td>80</td><td>100</td> <td>(20°C, 120Hz)</td> </tr> <tr> <td>tan δ</td> <td>0.22</td><td>0.19</td><td>0.16</td><td>0.14</td><td>0.12</td><td>0.10</td><td>0.09</td><td>0.08</td><td>0.08</td> <td></td> </tr> </table> <p>对于额定静电容量超过1000µF的产品, 其静电容量每增加1000µF, 则损失角正切值在上表值的基础上加上0.02。 When rated capacitance is over 1000µF, tan δ shall be added 0.02 to the listed value with increase of every 1000µF.</p> | 额定电压 (V) Rated Voltage | 6.3 | 10 | 16 | 25 | 35 | 50 | 63 | 80 | 100 | (20°C, 120Hz) | tan δ | 0.22 | 0.19 | 0.16 | 0.14 | 0.12 | 0.10 | 0.09 | 0.08 | 0.08 | | | | | | | | | | | | |
| 额定电压 (V) Rated Voltage | 6.3 | 10 | 16 | 25 | 35 | 50 | 63 | 80 | 100 | (20°C, 120Hz) | | | | | | | | | | | | | | | | | | | | | | | | |
| tan δ | 0.22 | 0.19 | 0.16 | 0.14 | 0.12 | 0.10 | 0.09 | 0.08 | 0.08 | | | | | | | | | | | | | | | | | | | | | | | | | |
| 耐 久 性 Endurance | <p>在105°C环境中, 不超过额定电压的范围内叠加额定纹波电流, 连续加载右表时间后, 满足以下各项要求。 After life test with rated ripple current at conditions stated in the table below, the capacitors shall meet the following requirements.</p> <table border="1"> <tr> <td>静电容量变化率 Capacitance Change</td> <td>初期值的±25%以内 (6.3V, 10V: ±30%) Within ±25% of the initial value. (6.3V, 10V: ±30%)</td> <td>铝壳尺寸 Case Size</td> <td>时间 (hrs) Life Time</td> </tr> <tr> <td>损失角正切值 Dissipation Factor</td> <td>规格值的200%以下 Not more than 200% of the specified value.</td> <td>φ D ≤ 6.3</td> <td>6000</td> </tr> <tr> <td>漏 电 流 Leakage Current</td> <td>规格值以下 Not more than the specified value.</td> <td>φ D = 8</td> <td>8000</td> </tr> <tr> <td></td> <td></td> <td>φ D ≥ 10</td> <td>10000</td> </tr> </table> | 静电容量变化率 Capacitance Change | 初期值的±25%以内 (6.3V, 10V: ±30%) Within ±25% of the initial value. (6.3V, 10V: ±30%) | 铝壳尺寸 Case Size | 时间 (hrs) Life Time | 损失角正切值 Dissipation Factor | 规格值的200%以下 Not more than 200% of the specified value. | φ D ≤ 6.3 | 6000 | 漏 电 流 Leakage Current | 规格值以下 Not more than the specified value. | φ D = 8 | 8000 | | | φ D ≥ 10 | 10000 | | | | | | | | | | | | | | | | | |
| 静电容量变化率 Capacitance Change | 初期值的±25%以内 (6.3V, 10V: ±30%) Within ±25% of the initial value. (6.3V, 10V: ±30%) | 铝壳尺寸 Case Size | 时间 (hrs) Life Time | | | | | | | | | | | | | | | | | | | | | | | | | | | | | | | |
| 损失角正切值 Dissipation Factor | 规格值的200%以下 Not more than 200% of the specified value. | φ D ≤ 6.3 | 6000 | | | | | | | | | | | | | | | | | | | | | | | | | | | | | | | |
| 漏 电 流 Leakage Current | 规格值以下 Not more than the specified value. | φ D = 8 | 8000 | | | | | | | | | | | | | | | | | | | | | | | | | | | | | | | |
| | | φ D ≥ 10 | 10000 | | | | | | | | | | | | | | | | | | | | | | | | | | | | | | | |
| 低 温 特 性 Low Temperature Stability (阻抗比) Impedance Ratio(MAX) | <table border="1"> <tr> <td>额定电压 (V) Rated Voltage</td> <td>6.3</td><td>10</td><td>16</td><td>25</td><td>35</td><td>50</td><td>63</td><td>80</td><td>100</td> <td>(120Hz)</td> </tr> <tr> <td>Z(-25°C)/Z(20°C)</td> <td>2</td><td>2</td><td>2</td><td>2</td><td>2</td><td>2</td><td>2</td><td>2</td><td>2</td> <td></td> </tr> <tr> <td>Z(-40°C)/Z(20°C)</td> <td>3</td><td>3</td><td>3</td><td>3</td><td>3</td><td>3</td><td>3</td><td>3</td><td>3</td> <td></td> </tr> </table> | 额定电压 (V) Rated Voltage | 6.3 | 10 | 16 | 25 | 35 | 50 | 63 | 80 | 100 | (120Hz) | Z(-25°C)/Z(20°C) | 2 | 2 | 2 | 2 | 2 | 2 | 2 | 2 | 2 | | Z(-40°C)/Z(20°C) | 3 | 3 | 3 | 3 | 3 | 3 | 3 | 3 | 3 | |
| 额定电压 (V) Rated Voltage | 6.3 | 10 | 16 | 25 | 35 | 50 | 63 | 80 | 100 | (120Hz) | | | | | | | | | | | | | | | | | | | | | | | | |
| Z(-25°C)/Z(20°C) | 2 | 2 | 2 | 2 | 2 | 2 | 2 | 2 | 2 | | | | | | | | | | | | | | | | | | | | | | | | | |
| Z(-40°C)/Z(20°C) | 3 | 3 | 3 | 3 | 3 | 3 | 3 | 3 | 3 | | | | | | | | | | | | | | | | | | | | | | | | | |

◆纹波电流修正系数 /
MULTIPLIER FOR RIPPLE CURRENT
频率系数 Frequency coefficient

| 频率 (Hz) Frequency | 120 | 1k | 10k | 100k ≤ |
|----------------------|------|------|------|--------|
| 8.2 ~ 33µF | 0.42 | 0.70 | 0.90 | 1.00 |
| 47 ~ 270µF | 0.50 | 0.73 | 0.92 | 1.00 |
| 330 ~ 680µF | 0.55 | 0.77 | 0.94 | 1.00 |
| 820 ~ 1800µF | 0.60 | 0.80 | 0.96 | 1.00 |
| 2200 ~ 8200µF | 0.70 | 0.85 | 0.98 | 1.00 |

◆尺寸图 / DIMENSIONS (mm)



◆产品型号体系 / PART NUMBER

| | | | | | | |
|-----------------------|----------------|-----------------------------|----------------------------------|---------------|------------------------|-------------------|
| □□□ | ZLH | □□□□□ | □ | □□□ | □□ | D × L |
| 额定电压 Rated Voltage | 系列名称 Series | 额定静电容量 Rated Capacitance | 静电容量允许差 Capacitance Tolerance | 副记号 Option | 引线加工记号 Lead Forming | 铝壳尺寸 Case Size |

◆标准品一览表 / STANDARD SIZE

| 额定电压 Rated Voltage (V · DC) | 额定静电容容量 Rated capacitance (μF) | 外形尺寸 Size φ D×L(mm) | 额定纹波电流 Rated ripple current (mA r.m.s./105°C, 100kHz) | 阻抗 (Ω MAX) Impedance | |
|-----------------------------------|-----------------------------------|---------------------------|---|-------------------------|---------------|
| | | | | 20°C, 100kHz | -10°C, 100kHz |
| 6.3 (0J) | 220 | 5×11 | 345 | 0.22 | 0.80 |
| | 470 | 6.3×11 | 540 | 0.094 | 0.35 |
| | 820 | 8×11.5 | 945 | 0.056 | 0.19 |
| | 1200 | 8×16 | 1250 | 0.045 | 0.15 |
| | 1200 | 10×12.5 | 1330 | 0.039 | 0.14 |
| | 1500 | 8×20 | 1500 | 0.029 | 0.11 |
| | 1800 | 10×16 | 1760 | 0.028 | 0.10 |
| | 2200 | 10×20 | 1960 | 0.020 | 0.06 |
| | 2700 | 10×23 | 2250 | 0.018 | 0.054 |
| | 3900 | 12.5×20 | 2480 | 0.017 | 0.043 |
| | 4700 | 12.5×25 | 2900 | 0.015 | 0.038 |
| | 5600 | 12.5×30 | 3450 | 0.013 | 0.033 |
| | 6800 | 16×20 | 3250 | 0.015 | 0.038 |
| | 6800 | 12.5×35 | 3570 | 0.012 | 0.031 |
| 8200 | 16×25 | 3630 | 0.013 | 0.035 | |
| 10 (1A) | 150 | 5×11 | 345 | 0.22 | 0.80 |
| | 330 | 6.3×11 | 540 | 0.094 | 0.35 |
| | 680 | 8×11.5 | 945 | 0.056 | 0.19 |
| | 1000 | 8×16 | 1250 | 0.045 | 0.15 |
| | 1000 | 10×12.5 | 1330 | 0.039 | 0.14 |
| | 1500 | 8×20 | 1500 | 0.029 | 0.11 |
| | 1500 | 10×16 | 1760 | 0.028 | 0.10 |
| | 1800 | 10×20 | 1960 | 0.020 | 0.060 |
| | 2200 | 10×23 | 2250 | 0.018 | 0.054 |
| | 3300 | 12.5×20 | 2480 | 0.017 | 0.043 |
| | 3900 | 12.5×25 | 2900 | 0.015 | 0.038 |
| | 4700 | 12.5×30 | 3450 | 0.013 | 0.033 |
| | 4700 | 16×20 | 3250 | 0.015 | 0.038 |
| | 5600 | 12.5×35 | 3570 | 0.012 | 0.031 |
| 6800 | 16×25 | 3630 | 0.013 | 0.035 | |
| 16 (1C) | 100 | 5×11 | 345 | 0.22 | 0.80 |
| | 220 | 6.3×11 | 540 | 0.094 | 0.35 |
| | 470 | 8×11.5 | 945 | 0.056 | 0.19 |
| | 680 | 8×16 | 1250 | 0.045 | 0.15 |
| | 680 | 10×12.5 | 1330 | 0.039 | 0.14 |
| | 1000 | 8×20 | 1500 | 0.029 | 0.11 |
| | 1000 | 10×16 | 1760 | 0.028 | 0.10 |
| | 1500 | 10×20 | 1960 | 0.020 | 0.060 |
| | 1800 | 10×23 | 2250 | 0.018 | 0.054 |
| | 2200 | 12.5×20 | 2480 | 0.017 | 0.043 |
| | 2700 | 12.5×25 | 2900 | 0.015 | 0.038 |
| | 3300 | 12.5×30 | 3450 | 0.013 | 0.033 |
| | 3300 | 16×20 | 3250 | 0.015 | 0.038 |
| | 3900 | 12.5×35 | 3570 | 0.012 | 0.031 |
| 4700 | 16×25 | 3630 | 0.013 | 0.035 | |
| 25 (1E) | 68 | 5×11 | 345 | 0.22 | 0.80 |
| | 150 | 6.3×11 | 540 | 0.094 | 0.35 |
| | 330 | 8×11.5 | 945 | 0.056 | 0.19 |
| | 390 | 8×16 | 1250 | 0.045 | 0.15 |
| | 470 | 10×12.5 | 1330 | 0.039 | 0.14 |
| | 560 | 8×20 | 1500 | 0.029 | 0.11 |
| | 680 | 10×16 | 1760 | 0.028 | 0.10 |
| | 820 | 10×20 | 1960 | 0.020 | 0.060 |
| | 1000 | 10×23 | 2250 | 0.018 | 0.054 |
| | 1500 | 12.5×20 | 2480 | 0.017 | 0.043 |
| | 1800 | 12.5×25 | 2900 | 0.015 | 0.038 |
| | 2200 | 12.5×30 | 3450 | 0.013 | 0.033 |
| | 2200 | 16×20 | 3250 | 0.015 | 0.038 |
| | 2700 | 12.5×35 | 3570 | 0.012 | 0.031 |
| 3300 | 16×25 | 3630 | 0.013 | 0.035 | |
| 35 (1V) | 47 | 5×11 | 345 | 0.22 | 0.80 |
| | 100 | 6.3×11 | 540 | 0.094 | 0.35 |
| | 220 | 8×11.5 | 945 | 0.056 | 0.19 |
| | 270 | 8×16 | 1250 | 0.045 | 0.15 |
| | 330 | 10×12.5 | 1330 | 0.039 | 0.14 |
| | 390 | 8×20 | 1500 | 0.029 | 0.11 |
| | 470 | 10×16 | 1760 | 0.028 | 0.10 |
| | 560 | 10×20 | 1960 | 0.020 | 0.060 |
| | 680 | 10×23 | 2250 | 0.018 | 0.054 |
| | 1000 | 12.5×20 | 2480 | 0.017 | 0.043 |
| | 1200 | 12.5×25 | 2900 | 0.015 | 0.038 |
| | 1500 | 12.5×30 | 3450 | 0.013 | 0.033 |
| | 1500 | 16×20 | 3250 | 0.015 | 0.038 |
| | 1800 | 12.5×35 | 3570 | 0.012 | 0.031 |
| 2200 | 16×25 | 3630 | 0.013 | 0.035 | |
| 50 (1H) | 27 | 5×11 | 238 | 0.34 | 1.18 |
| | 56 | 6.3×11 | 385 | 0.14 | 0.50 |
| | 100 | 8×11.5 | 724 | 0.074 | 0.22 |
| | 120 | 8×16 | 950 | 0.061 | 0.18 |
| | 150 | 10×12.5 | 979 | 0.061 | 0.18 |
| | 180 | 8×20 | 1190 | 0.046 | 0.14 |
| | 220 | 10×16 | 1370 | 0.042 | 0.12 |
| | 270 | 10×20 | 1580 | 0.030 | 0.090 |
| | 330 | 10×23 | 1870 | 0.028 | 0.085 |
| | 470 | 12.5×20 | 2050 | 0.027 | 0.068 |
| | 560 | 12.5×25 | 2410 | 0.023 | 0.059 |
| | 680 | 12.5×30 | 2860 | 0.021 | 0.052 |
| | 820 | 12.5×35 | 2960 | 0.019 | 0.051 |
| | 820 | 16×20 | 2730 | 0.023 | 0.059 |
| 1000 | 16×25 | 3010 | 0.021 | 0.056 | |

LEAD WIRE
引线

ZLH

◆ 标准品一览表 / STANDARD SIZE

| 额定电压 Rated Voltage (V · DC) | 额定静容量 Rated capacitance (μF) | 外形尺寸 Size φ D×L(mm) | 额定纹波电流 Rated ripple current (mA r.m.s./105°C, 100kHz) | 阻抗 (Ω MAX) Impedance | |
|-----------------------------------|---------------------------------|---------------------------|---|-------------------------|---------------|
| | | | | 20°C, 100kHz | -10°C, 100kHz |
| 63 (1J) | 18 | 5×11 | 173 | 0.88 | 3.5 |
| | 47 | 6.3×11 | 278 | 0.35 | 1.4 |
| | 82 | 8×11.5 | 525 | 0.22 | 0.88 |
| | 100 | 8×16 | 688 | 0.16 | 0.64 |
| | 120 | 10×12.5 | 725 | 0.15 | 0.60 |
| | 150 | 8×20 | 861 | 0.12 | 0.48 |
| | 180 | 10×16 | 998 | 0.11 | 0.44 |
| | 270 | 10×20 | 1200 | 0.078 | 0.31 |
| | 270 | 12.5×16 | 1200 | 0.082 | 0.27 |
| | 330 | 10×23 | 1410 | 0.069 | 0.28 |
| | 390 | 12.5×20 | 1570 | 0.060 | 0.19 |
| | 470 | 12.5×25 | 1990 | 0.043 | 0.14 |
| | 560 | 12.5×30 | 2410 | 0.035 | 0.13 |
| | 560 | 16×20 | 2100 | 0.043 | 0.14 |
| | 680 | 12.5×35 | 2620 | 0.033 | 0.11 |
| | 820 | 12.5×40 | 2940 | 0.027 | 0.090 |
| | 820 | 16×25 | 2730 | 0.032 | 0.096 |
| | 820 | 18×20 | 2500 | 0.038 | 0.10 |
| | 1200 | 16×31.5 | 2990 | 0.024 | 0.068 |
| | 1200 | 18×25 | 2800 | 0.031 | 0.084 |
| 80 (1K) | 12 | 5×11 | 163 | 1.4 | 5.6 |
| | 33 | 6.3×11 | 267 | 0.57 | 2.3 |
| | 56 | 8×11.5 | 462 | 0.36 | 1.4 |
| | 68 | 8×16 | 585 | 0.25 | 1.0 |
| | 82 | 10×12.5 | 624 | 0.23 | 0.96 |
| | 100 | 8×20 | 735 | 0.19 | 0.76 |
| | 120 | 10×16 | 780 | 0.17 | 0.72 |
| | 180 | 10×20 | 1040 | 0.12 | 0.52 |
| | 180 | 12.5×16 | 975 | 0.13 | 0.43 |
| | 220 | 10×23 | 1170 | 0.11 | 0.47 |
| | 270 | 12.5×20 | 1430 | 0.085 | 0.31 |
| | 330 | 12.5×25 | 1620 | 0.060 | 0.23 |
| | 390 | 12.5×30 | 1950 | 0.051 | 0.21 |
| | 390 | 16×20 | 1750 | 0.058 | 0.21 |
| | 470 | 12.5×35 | 2140 | 0.043 | 0.17 |
| | 560 | 12.5×40 | 2340 | 0.036 | 0.15 |
| | 560 | 16×25 | 2210 | 0.044 | 0.16 |
| | 560 | 18×20 | 1950 | 0.054 | 0.18 |
| | 680 | 16×31.5 | 2400 | 0.033 | 0.12 |
| | 820 | 16×35.5 | 2600 | 0.029 | 0.10 |
| 820 | 18×25 | 2270 | 0.038 | 0.13 | |
| 1000 | 16×40 | 2860 | 0.027 | 0.090 | |
| 1000 | 18×31.5 | 2470 | 0.031 | 0.11 | |
| 1200 | 18×35.5 | 2860 | 0.027 | 0.084 | |
| 1500 | 18×40 | 3510 | 0.026 | 0.076 | |

| 额定电压 Rated Voltage (V · DC) | 额定静容量 Rated capacitance (μF) | 外形尺寸 Size φ D×L(mm) | 额定纹波电流 Rated ripple current (mA r.m.s./105°C, 100kHz) | 阻抗 (Ω MAX) Impedance | |
|-----------------------------------|---------------------------------|---------------------------|---|-------------------------|---------------|
| | | | | 20°C, 100kHz | -10°C, 100kHz |
| 100 (2A) | 8.2 | 5×11 | 163 | 1.4 | 5.6 |
| | 18 | 6.3×11 | 267 | 0.57 | 2.3 |
| | 33 | 8×11.5 | 462 | 0.36 | 1.4 |
| | 47 | 8×16 | 585 | 0.25 | 1.0 |
| | 56 | 10×12.5 | 624 | 0.23 | 0.96 |
| | 68 | 8×20 | 735 | 0.19 | 0.76 |
| | 82 | 10×16 | 780 | 0.17 | 0.72 |
| | 100 | 10×20 | 1040 | 0.12 | 0.52 |
| | 100 | 12.5×16 | 975 | 0.13 | 0.43 |
| | 120 | 10×23 | 1170 | 0.11 | 0.47 |
| | 150 | 12.5×20 | 1430 | 0.085 | 0.31 |
| | 220 | 12.5×25 | 1620 | 0.060 | 0.23 |
| | 270 | 12.5×30 | 1950 | 0.051 | 0.21 |
| | 270 | 16×20 | 1750 | 0.058 | 0.21 |
| | 330 | 12.5×35 | 2140 | 0.043 | 0.17 |
| | 390 | 12.5×40 | 2340 | 0.036 | 0.15 |
| | 390 | 16×25 | 2210 | 0.044 | 0.16 |
| | 390 | 18×20 | 1950 | 0.054 | 0.18 |
| | 470 | 16×31.5 | 2400 | 0.033 | 0.12 |
| | 470 | 18×25 | 2270 | 0.038 | 0.13 |
| 560 | 16×35.5 | 2600 | 0.029 | 0.10 | |
| 560 | 18×31.5 | 2470 | 0.031 | 0.11 | |
| 680 | 16×40 | 2860 | 0.027 | 0.090 | |
| 680 | 18×35.5 | 2860 | 0.027 | 0.084 | |
| 820 | 18×40 | 3510 | 0.026 | 0.076 | |

X-ON Electronics

Largest Supplier of Electrical and Electronic Components

Click to view similar products for [Aluminium Electrolytic Capacitors - Radial Leaded](#) category:

Click to view products by [Rubycon](#) manufacturer:

Other Similar products are found below :

[LXY50VB4.7M-5X11](#) [RFO-100V471MJ7P#](#) [ECE-A1EGE220](#) [B41041A7226M8](#) [B41044A7157M6](#) [NCD681K10KVY5PF](#)

[NEV1000M25EF-BULK](#) [NEV100M35DC](#) [NEV100M63DE](#) [NEV220M25DD-BULK](#) [NEV.33M100AA](#) [NEV4700M50HB](#) [NEV.47M100AA](#)

[NEVH1.0M250AB](#) [NEVH3.3M250BB](#) [NEVH3.3M450CC](#) [KME50VB100M-8X11.5](#) [SG220M1CSA-0407](#) [ES5107M016AE1DA](#)

[ESMG160ETD102MJ16S](#) [ESX472M16B](#) [227RZS050M](#) [476CKH100MSA](#) [477RZS050M](#) [B41793A9108Q1](#) [UVX1V101KPA1FA](#)

[UVX1V222MHA1CA](#) [KME25VB100M-6.3X11](#) [VTL100S10](#) [VTL470S10](#) [VTL470S16A](#) [511D336M250EK5D](#) [052687X](#) [ECE-A1CF471](#)

[NRE-S560M16V6.3X7TBSTF](#) [RGA221M1CTA-0611G](#) [ERZA630VHN182UP54N](#) [UPL1A331MPH](#) [SK035M0100AZS-0611](#)

[NEV1000M6.3DE](#) [NEV100M16CB](#) [NEV100M50DD-BULK](#) [NEV2200M16FF](#) [NEV220M50EE](#) [NEV2.2M50AA](#) [NEV330M63EF](#)

[NEV4700M35HI](#) [NEV4.7M100BA](#) [NEV47M16BA](#) [NEV47M50CB-BULK](#)