

ZLH SERIES
105°C Miniaturized, Long Life, Low Impedance

*Load Life : 105°C 6000~10000 hours.

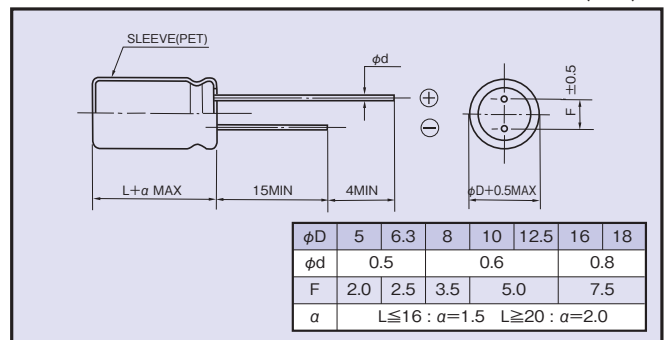
RoHS compliance


◆SPECIFICATIONS

Items	Characteristics																																	
Category Temperature Range	-40~+105°C																																	
Rated Voltage Range	6.3~100Vdc																																	
Capacitance Tolerance	±20% (20°C, 120Hz)																																	
Leakage Current(MAX)	I=0.01CV or 3µA whichever is greater.(After 2 minutes) I=Leakage Current(µA) C=Capacitance(µF) V=Rated Voltage(Vdc)																																	
Dissipation Factor(MAX) (tanδ)	<table border="1"> <tr> <td>Rated Voltage (Vdc)</td> <td>6.3</td> <td>10</td> <td>16</td> <td>25</td> <td>35</td> <td>50</td> <td>63</td> <td>80</td> <td>100</td> <td>(20°C, 120Hz)</td> </tr> <tr> <td>tanδ</td> <td>0.22</td> <td>0.19</td> <td>0.16</td> <td>0.14</td> <td>0.12</td> <td>0.10</td> <td>0.09</td> <td>0.08</td> <td>0.08</td> <td></td> </tr> </table> <p>When capacitance is over 1000µF, tanδ shall be added 0.02 to the listed value with increase of every 1000µF.</p>	Rated Voltage (Vdc)	6.3	10	16	25	35	50	63	80	100	(20°C, 120Hz)	tanδ	0.22	0.19	0.16	0.14	0.12	0.10	0.09	0.08	0.08												
Rated Voltage (Vdc)	6.3	10	16	25	35	50	63	80	100	(20°C, 120Hz)																								
tanδ	0.22	0.19	0.16	0.14	0.12	0.10	0.09	0.08	0.08																									
Endurance	<p>After applying rated voltage with rated ripple current for specified time at 105°C, the capacitors shall meet the following requirements.</p> <table border="1"> <tr> <td>Capacitance Change</td> <td>Within ±25% of the initial value. (6.3Vdc, 10Vdc:±30%)</td> <td>Case Size</td> <td>Life Time (hrs)</td> </tr> <tr> <td>Dissipation Factor</td> <td>Not more than 200% of the specified value.</td> <td>φD ≤ 6.3</td> <td>6000</td> </tr> <tr> <td>Leakage Current</td> <td>Not more than the specified value.</td> <td>φD = 8</td> <td>8000</td> </tr> <tr> <td></td> <td></td> <td>φD ≥ 10</td> <td>10000</td> </tr> </table>	Capacitance Change	Within ±25% of the initial value. (6.3Vdc, 10Vdc:±30%)	Case Size	Life Time (hrs)	Dissipation Factor	Not more than 200% of the specified value.	φD ≤ 6.3	6000	Leakage Current	Not more than the specified value.	φD = 8	8000			φD ≥ 10	10000																	
Capacitance Change	Within ±25% of the initial value. (6.3Vdc, 10Vdc:±30%)	Case Size	Life Time (hrs)																															
Dissipation Factor	Not more than 200% of the specified value.	φD ≤ 6.3	6000																															
Leakage Current	Not more than the specified value.	φD = 8	8000																															
		φD ≥ 10	10000																															
Low Temperature Stability Impedance Ratio(MAX)	<table border="1"> <tr> <td>Rated Voltage (Vdc)</td> <td>6.3</td> <td>10</td> <td>16</td> <td>25</td> <td>35</td> <td>50</td> <td>63</td> <td>80</td> <td>100</td> <td>(120Hz)</td> </tr> <tr> <td>Z(-25°C)/Z(20°C)</td> <td>2</td> <td>2</td> <td>2</td> <td>2</td> <td>2</td> <td>2</td> <td>2</td> <td>2</td> <td>2</td> <td></td> </tr> <tr> <td>Z(-40°C)/Z(20°C)</td> <td>3</td> <td>3</td> <td>3</td> <td>3</td> <td>3</td> <td>3</td> <td>3</td> <td>3</td> <td>3</td> <td></td> </tr> </table>	Rated Voltage (Vdc)	6.3	10	16	25	35	50	63	80	100	(120Hz)	Z(-25°C)/Z(20°C)	2	2	2	2	2	2	2	2	2		Z(-40°C)/Z(20°C)	3	3	3	3	3	3	3	3	3	
Rated Voltage (Vdc)	6.3	10	16	25	35	50	63	80	100	(120Hz)																								
Z(-25°C)/Z(20°C)	2	2	2	2	2	2	2	2	2																									
Z(-40°C)/Z(20°C)	3	3	3	3	3	3	3	3	3																									

◆MULTIPLIER FOR RIPPLE CURRENT

Frequency (Hz)		120	1k	10k	100k≤
Coefficient	8.2~33µF	0.42	0.70	0.90	1.00
	47~270µF	0.50	0.73	0.92	1.00
	330~680µF	0.55	0.77	0.94	1.00
	820~1800µF	0.60	0.80	0.96	1.00
	2200~8200µF	0.70	0.85	0.98	1.00

◆DIMENSIONS

◆PART NUMBER

□□□	ZLH	□□□□□	M	□□□	□□	DXL
Rated Voltage	Series	Capacitance	Capacitance Tolerance	Option	Lead Forming	Case Size

◆OPTION

PET Sleeve	Code
	EFC

◆STANDARD SIZE

Rated Voltage (Vdc)	Capacitance (μF)	Size φD×L(mm)	Rated ripple current (mA r.m.s./105°C, 100kHz)	Impedance (Ω MAX)	
				20°C, 100kHz	-10°C, 100kHz
6.3	220	5×11	345	0.22	0.80
	470	6.3×11	540	0.094	0.35
	820	8×11.5	945	0.056	0.19
	1200	8×16	1250	0.045	0.15
	1200	10×12.5	1330	0.039	0.14
	1500	8×20	1500	0.029	0.11
	1800	10×16	1760	0.028	0.10
	2200	10×20	1960	0.020	0.060
	2700	10×23	2250	0.018	0.054
	3900	12.5×20	2480	0.017	0.043
	4700	12.5×25	2900	0.015	0.038
	5600	12.5×30	3450	0.013	0.033
	6800	16×20	3250	0.015	0.038
	6800	12.5×35	3570	0.012	0.031
8200	16×25	3630	0.013	0.035	
10	150	5×11	345	0.22	0.80
	330	6.3×11	540	0.094	0.35
	680	8×11.5	945	0.056	0.19
	1000	8×16	1250	0.045	0.15
	1000	10×12.5	1330	0.039	0.14
	1500	8×20	1500	0.029	0.11
	1500	10×16	1760	0.028	0.10
	1800	10×20	1960	0.020	0.060
	2200	10×23	2250	0.018	0.054
	3300	12.5×20	2480	0.017	0.043
	3900	12.5×25	2900	0.015	0.038
	4700	12.5×30	3450	0.013	0.033
	4700	16×20	3250	0.015	0.038
	5600	12.5×35	3570	0.012	0.031
6800	16×25	3630	0.013	0.035	
16	100	5×11	345	0.22	0.80
	220	6.3×11	540	0.094	0.35
	470	8×11.5	945	0.056	0.19
	680	8×16	1250	0.045	0.15
	680	10×12.5	1330	0.039	0.14
	1000	8×20	1500	0.029	0.11
	1000	10×16	1760	0.028	0.10
	1500	10×20	1960	0.020	0.060
	1800	10×23	2250	0.018	0.054
	2200	12.5×20	2480	0.017	0.043
	2700	12.5×25	2900	0.015	0.038
	3300	12.5×30	3450	0.013	0.033
	3300	16×20	3250	0.015	0.038
	3900	12.5×35	3570	0.012	0.031
4700	16×25	3630	0.013	0.035	
25	68	5×11	345	0.22	0.80
	150	6.3×11	540	0.094	0.35
	330	8×11.5	945	0.056	0.19
	390	8×16	1250	0.045	0.15
	470	10×12.5	1330	0.039	0.14
	560	8×20	1500	0.029	0.11
	680	10×16	1760	0.028	0.10
	820	10×20	1960	0.020	0.060
	1000	10×23	2250	0.018	0.054
	1500	12.5×20	2480	0.017	0.043
	1800	12.5×25	2900	0.015	0.038
	2200	12.5×30	3450	0.013	0.033
	2200	16×20	3250	0.015	0.038
	2700	12.5×35	3570	0.012	0.031
3300	16×25	3630	0.013	0.035	
35	47	5×11	345	0.22	0.80
	100	6.3×11	540	0.094	0.35
	220	8×11.5	945	0.056	0.19
	270	8×16	1250	0.045	0.15
	330	10×12.5	1330	0.039	0.14
	390	8×20	1500	0.029	0.11
	470	10×16	1760	0.028	0.10
	560	10×20	1960	0.020	0.060
	680	10×23	2250	0.018	0.054
	1000	12.5×20	2480	0.017	0.043
	1200	12.5×25	2900	0.015	0.038
	1500	12.5×30	3450	0.013	0.033
	1500	16×20	3250	0.015	0.038
	1800	12.5×35	3570	0.012	0.031
2200	16×25	3630	0.013	0.035	
50	27	5×11	238	0.34	1.18
	56	6.3×11	385	0.14	0.50
	100	8×11.5	724	0.074	0.22
	120	8×16	950	0.061	0.18
	150	10×12.5	979	0.061	0.18
	180	8×20	1190	0.046	0.14
	220	10×16	1370	0.042	0.12
	270	10×20	1580	0.030	0.090
	330	10×23	1870	0.028	0.085
	470	12.5×20	2050	0.027	0.068
	560	12.5×25	2410	0.023	0.059
	680	12.5×30	2860	0.021	0.052
	820	12.5×35	2960	0.019	0.051
	820	16×20	2730	0.023	0.059
1000	16×25	3010	0.021	0.056	

◆STANDARD SIZE

Rated Voltage (Vdc)	Capacitance (μF)	Size φD×L(mm)	Rated ripple current (mA r.m.s./105°C, 100kHz)	Impedance (Ω MAX)	
				20°C, 100kHz	-10°C, 100kHz
63	18	5×11	173	0.88	3.5
	47	6.3×11	278	0.35	1.4
	82	8×11.5	525	0.22	0.88
	100	8×16	688	0.16	0.64
	120	10×12.5	725	0.15	0.60
	150	8×20	861	0.12	0.48
	180	10×16	998	0.11	0.44
	270	10×20	1200	0.078	0.31
	270	12.5×16	1200	0.082	0.27
	330	10×23	1410	0.069	0.28
	390	12.5×20	1570	0.060	0.19
	470	12.5×25	1990	0.043	0.14
	560	12.5×30	2410	0.035	0.13
	560	16×20	2100	0.043	0.14
	680	12.5×35	2620	0.033	0.11
	820	12.5×40	2940	0.027	0.090
	820	16×25	2730	0.032	0.096
	820	18×20	2500	0.038	0.10
	1200	16×31.5	2990	0.024	0.068
	1200	18×25	2800	0.031	0.084
1500	16×35.5	3040	0.021	0.057	
1500	18×31.5	3300	0.025	0.068	
1800	16×40	3570	0.019	0.057	
1800	18×35.5	3570	0.020	0.054	
2200	18×40	3670	0.018	0.049	
80	12	5×11	163	1.4	5.6
	33	6.3×11	267	0.57	2.3
	56	8×11.5	462	0.36	1.4
	68	8×16	585	0.25	1.0
	82	10×12.5	624	0.23	0.96
	100	8×20	735	0.19	0.76
	120	10×16	780	0.17	0.72
	180	10×20	1040	0.12	0.52
	180	12.5×16	975	0.13	0.43
	220	10×23	1170	0.11	0.47
	270	12.5×20	1430	0.085	0.31
	330	12.5×25	1620	0.060	0.23
	390	12.5×30	1950	0.051	0.21
	390	16×20	1750	0.058	0.21
	470	12.5×35	2140	0.043	0.17
	560	12.5×40	2340	0.036	0.15
	560	16×25	2210	0.044	0.16
	560	18×20	1950	0.054	0.18
	680	16×31.5	2400	0.033	0.12
	820	16×35.5	2600	0.029	0.10
820	18×25	2270	0.038	0.13	
1000	16×40	2860	0.027	0.090	
1000	18×31.5	2470	0.031	0.11	
1200	18×35.5	2860	0.027	0.084	
1500	18×40	3510	0.026	0.076	

Rated Voltage (Vdc)	Capacitance (μF)	Size φD×L(mm)	Rated ripple current (mA r.m.s./105°C, 100kHz)	Impedance (Ω MAX)	
				20°C, 100kHz	-10°C, 100kHz
100	8.2	5×11	163	1.4	5.6
	18	6.3×11	267	0.57	2.3
	33	8×11.5	462	0.36	1.4
	47	8×16	585	0.25	1.0
	56	10×12.5	624	0.23	0.96
	68	8×20	735	0.19	0.76
	82	10×16	780	0.17	0.72
	100	10×20	1040	0.12	0.52
	100	12.5×16	975	0.13	0.43
	120	10×23	1170	0.11	0.47
	150	12.5×20	1430	0.085	0.31
	220	12.5×25	1620	0.060	0.23
	270	12.5×30	1950	0.051	0.21
	270	16×20	1750	0.058	0.21
	330	12.5×35	2140	0.043	0.17
	390	12.5×40	2340	0.036	0.15
	390	16×25	2210	0.044	0.16
	390	18×20	1950	0.054	0.18
	470	16×31.5	2400	0.033	0.12
	470	18×25	2270	0.038	0.13
560	16×35.5	2600	0.029	0.10	
560	18×31.5	2470	0.031	0.11	
680	16×40	2860	0.027	0.090	
680	18×35.5	2860	0.027	0.084	
820	18×40	3510	0.026	0.076	

X-ON Electronics

Largest Supplier of Electrical and Electronic Components

Click to view similar products for [Aluminium Electrolytic Capacitors - Radial Leaded](#) category:

Click to view products by [Rubycon](#) manufacturer:

Other Similar products are found below :

[NRELS102M35V16X16C.140LLF](#) [ESRG160ETC100MD07D](#) [227RZS050M](#) [335CKR250M](#) [476CKH100MSA](#) [477CKR100M](#)
[107CKR010M](#) [107CKH063MSA](#) [RJH-25V222MI9#](#) [RJH-35V221MG5#](#) [B43827A1106M8](#) [RJH-50V221MH6#](#) [EKYA500ELL470MF11D](#)
[B41022A5686M6](#) [ESRG250ELL101MH09D](#) [EKMA160EC3101MF07D](#) [RJB-10V471MG3#](#) [ESMG160ETD221MF11D](#)
[EKZH160ETD152MJ20S](#) [RJH-35V122MJ6#](#) [EGXF630ELL621ML20S](#) [RBD-25V100KE3#N](#) [EKMA350ELL100ME07D](#)
[ESMG160ETD101ME11D](#) [ELXY100ETD102MJ20S](#) [EGXF500ELL561ML15S](#) [EKMG350ETD471MJ16S](#) [35YXA330MEFC10X12.5](#)
[RXW471M1ESA-0815](#) [ELXZ630ELL221MJ25S](#) [ERR1HM1R0D11OT](#) [LPE681M30060FVA](#) [LPL471M22030FVA](#) [HFE221M25030FVA](#)
[LKMD1401H221MF](#) [B41888G6108M000](#) [EKMA160ETD470MF07D](#) [UHW1J102MHD6](#) [EKMG500ETD221MJC5S](#) [LKMK2502W101MF](#)
[LKMD1401H181MF](#) [LKMI2502G820MF](#) [LKMJ2001J122MF](#) [LKML2501C472MF](#) [LKMJ4002C681MF](#) [450MXH330MEFCSN25X45](#)
[450MXK330MA2RFC22X50](#) [63ZLH560MEFCG412.5X30](#) [ELH2DM331O25KT](#) [ELH2DM471P30KT](#)