

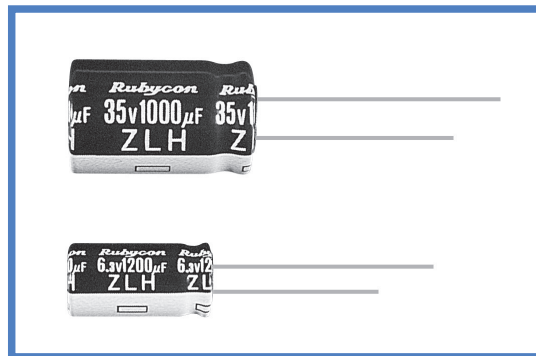
## ZLH 系列

SERIES

105°C小型化 长寿命 低阻抗品  
105°C Miniaturized, Long Life, Low Impedance

### ◆特 长 / FEATURES

- 实现ZL系列的耐久性的提升与高容量化，更降低了高频阻抗。  
Achieved endurance improvement and miniaturization of ZL series, as well as high frequency impedance reduction.
- 105°C、6000~10000小时品。  
Load Life : 105°C 6000~10000 hours.
- RoHS指令对应品。  
RoHS compliance.



### ◆规格表 / SPECIFICATIONS

| 项目 Items  | 特 性 Characteristics   |                                     |   |                   |                       |                                   |  |           |      |                          |   |               |                  |      |      |          |       |      |      |      |      |      |  |                  |   |   |   |   |   |   |   |   |   |  |
|---|---|-------------------------------------|---|-------------------|-----------------------|-----------------------------------|--|-----------|------|--------------------------|---|---------------|------------------|------|------|----------|-------|------|------|------|------|------|--|------------------|---|---|---|---|---|---|---|---|---|--|
| 工作温度范围<br>Category Temperature Range                                  | -40~+105°C  |                                     |   |                   |                       |                                   |  |           |      |                          |   |               |                  |      |      |          |       |      |      |      |      |      |  |                  |   |   |   |   |   |   |   |   |   |  |
| 额定电压范围<br>Rated Voltage Range   | 6.3~100Vdc  |                                     |   |                   |                       |                                   |  |           |      |                          |   |               |                  |      |      |          |       |      |      |      |      |      |  |                  |   |   |   |   |   |   |   |   |   |  |
| 静电容量允许差<br>Capacitance Tolerance                                      | ±20% (20°C, 120Hz)  |                                     |   |                   |                       |                                   |  |           |      |                          |   |               |                  |      |      |          |       |      |      |      |      |      |  |                  |   |   |   |   |   |   |   |   |   |  |
| 漏 电 流<br>Leakage Current(MAX)   | <p>小于I=0.01CV和3µA中的较大值 (施加额定电压2分钟后)<br/>I=0.01CV or 3µA whichever is greater. (After 2 minutes)</p> <p>I=漏电流 (µA)                      C=静电容量 (µF)                      V=额定电压 (Vdc)<br/>Leakage Current                      Capacitance                      Rated Voltage</p>  |                                     |   |                   |                       |                                   |  |           |      |                          |   |               |                  |      |      |          |       |      |      |      |      |      |  |                  |   |   |   |   |   |   |   |   |   |  |
| 损失角正切值 (tan δ )<br>Dissipation Factor(MAX)                            | <table border="1"> <tr> <td>额定电压 (Vdc)<br/>Rated Voltage</td> <td>6.3</td> <td>10</td> <td>16</td> <td>25</td> <td>35</td> <td>50</td> <td>63</td> <td>80</td> <td>100</td> <td>(20°C, 120Hz)</td> </tr> <tr> <td>tan δ</td> <td>0.22</td> <td>0.19</td> <td>0.16</td> <td>0.14</td> <td>0.12</td> <td>0.10</td> <td>0.09</td> <td>0.08</td> <td>0.08</td> <td></td> </tr> </table> <p>对于静电容量超过1000µF的产品，其静电容量每增加1000µF，则损失角正切值在上表值的基础上加上0.02。<br/>When capacitance is over 1000µF, tan δ shall be added 0.02 to the listed value with increase of every 1000µF.</p>  | 额定电压 (Vdc)<br>Rated Voltage         | 6.3   | 10                | 16                    | 25                                | 35   | 50        | 63   | 80                       | 100   | (20°C, 120Hz) | tan δ            | 0.22 | 0.19 | 0.16     | 0.14  | 0.12 | 0.10 | 0.09 | 0.08 | 0.08 |  |                  |   |   |   |   |   |   |   |   |   |  |
| 额定电压 (Vdc)<br>Rated Voltage   | 6.3   | 10                                  | 16  | 25                | 35                    | 50                                | 63   | 80        | 100  | (20°C, 120Hz)            |   |               |                  |      |      |          |       |      |      |      |      |      |  |                  |   |   |   |   |   |   |   |   |   |  |
| tan δ   | 0.22  | 0.19                                | 0.16  | 0.14              | 0.12                  | 0.10                              | 0.09   | 0.08      | 0.08 |                          |   |               |                  |      |      |          |       |      |      |      |      |      |  |                  |   |   |   |   |   |   |   |   |   |  |
| 耐 久 性<br>Endurance  | <p>在105°C环境中，不超过额定电压的范围内叠加额定纹波电流，连续加载右表时间后，满足以下各项要求。<br/>After applying rated voltage with rated ripple current for specified time at 105°C, the capacitors shall meet the following requirements.</p> <table border="1"> <tr> <td>静 电 容 量 变 化 率<br/>Capacitance Change</td> <td>初期值的±25%以内 (6.3Vdc,10Vdc : ±30%)<br/>Within ±25% of the initial value. (6.3Vdc,10Vdc : ±30%)</td> <td>铝壳尺寸<br/>Case Size</td> <td>时间 (hrs)<br/>Life Time</td> </tr> <tr> <td>损 失 角 正 切 值<br/>Dissipation Factor</td> <td>规格值的200%以下<br/>Not more than 200% of the specified value.</td> <td>φ D ≤ 6.3</td> <td>6000</td> </tr> <tr> <td>漏 电 流<br/>Leakage Current</td> <td>规格值以下<br/>Not more than the specified value.</td> <td>φ D = 8</td> <td>8000</td> </tr> <tr> <td></td> <td></td> <td>φ D ≥ 10</td> <td>10000</td> </tr> </table> | 静 电 容 量 变 化 率<br>Capacitance Change | 初期值的±25%以内 (6.3Vdc,10Vdc : ±30%)<br>Within ±25% of the initial value. (6.3Vdc,10Vdc : ±30%) | 铝壳尺寸<br>Case Size | 时间 (hrs)<br>Life Time | 损 失 角 正 切 值<br>Dissipation Factor | 规格值的200%以下<br>Not more than 200% of the specified value. | φ D ≤ 6.3 | 6000 | 漏 电 流<br>Leakage Current | 规格值以下<br>Not more than the specified value. | φ D = 8       | 8000             |      |      | φ D ≥ 10 | 10000 |      |      |      |      |      |  |                  |   |   |   |   |   |   |   |   |   |  |
| 静 电 容 量 变 化 率<br>Capacitance Change                                   | 初期值的±25%以内 (6.3Vdc,10Vdc : ±30%)<br>Within ±25% of the initial value. (6.3Vdc,10Vdc : ±30%)   | 铝壳尺寸<br>Case Size                   | 时间 (hrs)<br>Life Time   |                   |                       |                                   |  |           |      |                          |   |               |                  |      |      |          |       |      |      |      |      |      |  |                  |   |   |   |   |   |   |   |   |   |  |
| 损 失 角 正 切 值<br>Dissipation Factor                                     | 规格值的200%以下<br>Not more than 200% of the specified value.  | φ D ≤ 6.3                           | 6000  |                   |                       |                                   |  |           |      |                          |   |               |                  |      |      |          |       |      |      |      |      |      |  |                  |   |   |   |   |   |   |   |   |   |  |
| 漏 电 流<br>Leakage Current  | 规格值以下<br>Not more than the specified value.   | φ D = 8                             | 8000  |                   |                       |                                   |  |           |      |                          |   |               |                  |      |      |          |       |      |      |      |      |      |  |                  |   |   |   |   |   |   |   |   |   |  |
|   |   | φ D ≥ 10                            | 10000   |                   |                       |                                   |  |           |      |                          |   |               |                  |      |      |          |       |      |      |      |      |      |  |                  |   |   |   |   |   |   |   |   |   |  |
| 低 温 特 性<br>Low Temperature Stability<br>(阻抗比)<br>Impedance Ratio(MAX) | <table border="1"> <tr> <td>额定电压 (Vdc)<br/>Rated Voltage</td> <td>6.3</td> <td>10</td> <td>16</td> <td>25</td> <td>35</td> <td>50</td> <td>63</td> <td>80</td> <td>100</td> <td>(120Hz)</td> </tr> <tr> <td>Z(-25°C)/Z(20°C)</td> <td>2</td> <td>2</td> <td>2</td> <td>2</td> <td>2</td> <td>2</td> <td>2</td> <td>2</td> <td>2</td> <td></td> </tr> <tr> <td>Z(-40°C)/Z(20°C)</td> <td>3</td> <td>3</td> <td>3</td> <td>3</td> <td>3</td> <td>3</td> <td>3</td> <td>3</td> <td>3</td> <td></td> </tr> </table>   | 额定电压 (Vdc)<br>Rated Voltage         | 6.3   | 10                | 16                    | 25                                | 35   | 50        | 63   | 80                       | 100   | (120Hz)       | Z(-25°C)/Z(20°C) | 2    | 2    | 2        | 2     | 2    | 2    | 2    | 2    | 2    |  | Z(-40°C)/Z(20°C) | 3 | 3 | 3 | 3 | 3 | 3 | 3 | 3 | 3 |  |
| 额定电压 (Vdc)<br>Rated Voltage   | 6.3   | 10                                  | 16  | 25                | 35                    | 50                                | 63   | 80        | 100  | (120Hz)                  |   |               |                  |      |      |          |       |      |      |      |      |      |  |                  |   |   |   |   |   |   |   |   |   |  |
| Z(-25°C)/Z(20°C)  | 2   | 2                                   | 2   | 2                 | 2                     | 2                                 | 2  | 2         | 2    |                          |   |               |                  |      |      |          |       |      |      |      |      |      |  |                  |   |   |   |   |   |   |   |   |   |  |
| Z(-40°C)/Z(20°C)  | 3   | 3                                   | 3   | 3                 | 3                     | 3                                 | 3  | 3         | 3    |                          |   |               |                  |      |      |          |       |      |      |      |      |      |  |                  |   |   |   |   |   |   |   |   |   |  |

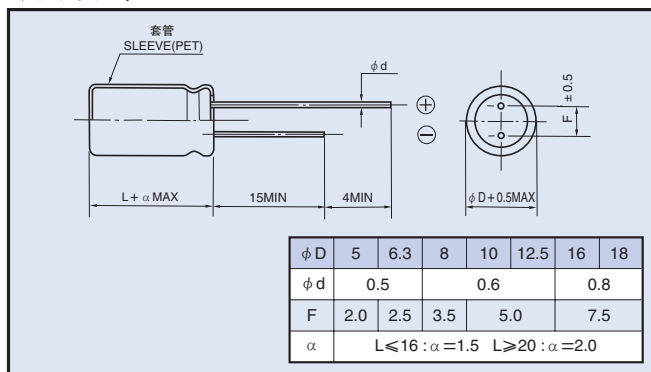
### ◆纹波电流修正系数 / MULTIPLIER FOR RIPPLE CURRENT

| 频率 (Hz)<br>Frequency | 120  | 1k   | 10k  | 100k≤ |
|----------------------|------|------|------|-------|
| 8.2~33µF             | 0.42 | 0.70 | 0.90 | 1.00  |
| 47~270µF             | 0.50 | 0.73 | 0.92 | 1.00  |
| 330~680µF            | 0.55 | 0.77 | 0.94 | 1.00  |
| 820~1800µF           | 0.60 | 0.80 | 0.96 | 1.00  |
| 2200~8200µF          | 0.70 | 0.85 | 0.98 | 1.00  |

### ◆副记号 / OPTION

|                  | 记号 Code |
|------------------|---------|
| PET套管 PET Sleeve | EFC     |

### ◆尺寸图 / DIMENSIONS (mm)



### ◆产品型号体系 / PART NUMBER

|                       |                |                     |                                  |               |                        |                   |
|-----------------------|----------------|---------------------|----------------------------------|---------------|------------------------|-------------------|
| □□□                   | ZLH            | □□□□□               | M                                | □□□           | □□                     | D × L             |
| 额定电压<br>Rated Voltage | 系列名称<br>Series | 静电容量<br>Capacitance | 静电容量允许差<br>Capacitance Tolerance | 副记号<br>Option | 引线加工记号<br>Lead Forming | 铝壳尺寸<br>Case Size |

### ◆标准品一览表 / STANDARD SIZE

| 额定电压<br>Rated Voltage<br>(Vdc) | 静电容量<br>Capacitance (μF) | 外形尺寸<br>Size<br>φ D×L(mm) | 额定纹波电流<br>Rated ripple current<br>(mA r.m.s./105°C, 100kHz) | 阻抗 (Ω MAX)<br>Impedance |               |
|--------------------------------|--------------------------|---------------------------|---|-------------------------|---------------|
|                                |                          |                           |   | 20°C, 100kHz            | -10°C, 100kHz |
| 6.3                            | 220                      | 5×11                      | 345   | 0.22                    | 0.80          |
|                                | 470                      | 6.3×11                    | 540   | 0.094                   | 0.35          |
|                                | 820                      | 8×11.5                    | 945   | 0.056                   | 0.19          |
|                                | 1200                     | 8×16                      | 1250  | 0.045                   | 0.15          |
|                                | 1200                     | 10×12.5                   | 1330  | 0.039                   | 0.14          |
|                                | 1500                     | 8×20                      | 1500  | 0.029                   | 0.11          |
|                                | 1800                     | 10×16                     | 1760  | 0.028                   | 0.10          |
|                                | 2200                     | 10×20                     | 1960  | 0.020                   | 0.060         |
|                                | 2700                     | 10×23                     | 2250  | 0.018                   | 0.054         |
|                                | 3900                     | 12.5×20                   | 2480  | 0.017                   | 0.043         |
|                                | 4700                     | 12.5×25                   | 2900  | 0.015                   | 0.038         |
|                                | 5600                     | 12.5×30                   | 3450  | 0.013                   | 0.033         |
|                                | 6800                     | 16×20                     | 3250  | 0.015                   | 0.038         |
|                                | 6800                     | 12.5×35                   | 3570  | 0.012                   | 0.031         |
| 8200                           | 16×25                    | 3630                      | 0.013   | 0.035                   |               |
| 10                             | 150                      | 5×11                      | 345   | 0.22                    | 0.80          |
|                                | 330                      | 6.3×11                    | 540   | 0.094                   | 0.35          |
|                                | 680                      | 8×11.5                    | 945   | 0.056                   | 0.19          |
|                                | 1000                     | 8×16                      | 1250  | 0.045                   | 0.15          |
|                                | 1000                     | 10×12.5                   | 1330  | 0.039                   | 0.14          |
|                                | 1500                     | 8×20                      | 1500  | 0.029                   | 0.11          |
|                                | 1500                     | 10×16                     | 1760  | 0.028                   | 0.10          |
|                                | 1800                     | 10×20                     | 1960  | 0.020                   | 0.060         |
|                                | 2200                     | 10×23                     | 2250  | 0.018                   | 0.054         |
|                                | 3300                     | 12.5×20                   | 2480  | 0.017                   | 0.043         |
|                                | 3900                     | 12.5×25                   | 2900  | 0.015                   | 0.038         |
|                                | 4700                     | 12.5×30                   | 3450  | 0.013                   | 0.033         |
|                                | 4700                     | 16×20                     | 3250  | 0.015                   | 0.038         |
|                                | 5600                     | 12.5×35                   | 3570  | 0.012                   | 0.031         |
| 6800                           | 16×25                    | 3630                      | 0.013   | 0.035                   |               |
| 16                             | 100                      | 5×11                      | 345   | 0.22                    | 0.80          |
|                                | 220                      | 6.3×11                    | 540   | 0.094                   | 0.35          |
|                                | 470                      | 8×11.5                    | 945   | 0.056                   | 0.19          |
|                                | 680                      | 8×16                      | 1250  | 0.045                   | 0.15          |
|                                | 680                      | 10×12.5                   | 1330  | 0.039                   | 0.14          |
|                                | 1000                     | 8×20                      | 1500  | 0.029                   | 0.11          |
|                                | 1000                     | 10×16                     | 1760  | 0.028                   | 0.10          |
|                                | 1500                     | 10×20                     | 1960  | 0.020                   | 0.060         |
|                                | 1800                     | 10×23                     | 2250  | 0.018                   | 0.054         |
|                                | 2200                     | 12.5×20                   | 2480  | 0.017                   | 0.043         |
|                                | 2700                     | 12.5×25                   | 2900  | 0.015                   | 0.038         |
|                                | 3300                     | 12.5×30                   | 3450  | 0.013                   | 0.033         |
|                                | 3300                     | 16×20                     | 3250  | 0.015                   | 0.038         |
|                                | 3900                     | 12.5×35                   | 3570  | 0.012                   | 0.031         |
| 4700                           | 16×25                    | 3630                      | 0.013   | 0.035                   |               |
| 25                             | 68                       | 5×11                      | 345   | 0.22                    | 0.80          |
|                                | 150                      | 6.3×11                    | 540   | 0.094                   | 0.35          |
|                                | 330                      | 8×11.5                    | 945   | 0.056                   | 0.19          |
|                                | 390                      | 8×16                      | 1250  | 0.045                   | 0.15          |
|                                | 470                      | 10×12.5                   | 1330  | 0.039                   | 0.14          |
|                                | 560                      | 8×20                      | 1500  | 0.029                   | 0.11          |
|                                | 680                      | 10×16                     | 1760  | 0.028                   | 0.10          |
|                                | 820                      | 10×20                     | 1960  | 0.020                   | 0.060         |
|                                | 1000                     | 10×23                     | 2250  | 0.018                   | 0.054         |
|                                | 1500                     | 12.5×20                   | 2480  | 0.017                   | 0.043         |
|                                | 1800                     | 12.5×25                   | 2900  | 0.015                   | 0.038         |
|                                | 2200                     | 12.5×30                   | 3450  | 0.013                   | 0.033         |
|                                | 2200                     | 16×20                     | 3250  | 0.015                   | 0.038         |
|                                | 2700                     | 12.5×35                   | 3570  | 0.012                   | 0.031         |
| 3300                           | 16×25                    | 3630                      | 0.013   | 0.035                   |               |
| 35                             | 47                       | 5×11                      | 345   | 0.22                    | 0.80          |
|                                | 100                      | 6.3×11                    | 540   | 0.094                   | 0.35          |
|                                | 220                      | 8×11.5                    | 945   | 0.056                   | 0.19          |
|                                | 270                      | 8×16                      | 1250  | 0.045                   | 0.15          |
|                                | 330                      | 10×12.5                   | 1330  | 0.039                   | 0.14          |
|                                | 390                      | 8×20                      | 1500  | 0.029                   | 0.11          |
|                                | 470                      | 10×16                     | 1760  | 0.028                   | 0.10          |
|                                | 560                      | 10×20                     | 1960  | 0.020                   | 0.060         |
|                                | 680                      | 10×23                     | 2250  | 0.018                   | 0.054         |
|                                | 1000                     | 12.5×20                   | 2480  | 0.017                   | 0.043         |
|                                | 1200                     | 12.5×25                   | 2900  | 0.015                   | 0.038         |
|                                | 1500                     | 12.5×30                   | 3450  | 0.013                   | 0.033         |
|                                | 1500                     | 16×20                     | 3250  | 0.015                   | 0.038         |
|                                | 1800                     | 12.5×35                   | 3570  | 0.012                   | 0.031         |
| 2200                           | 16×25                    | 3630                      | 0.013   | 0.035                   |               |
| 50                             | 27                       | 5×11                      | 238   | 0.34                    | 1.18          |
|                                | 56                       | 6.3×11                    | 385   | 0.14                    | 0.50          |
|                                | 100                      | 8×11.5                    | 724   | 0.074                   | 0.22          |
|                                | 120                      | 8×16                      | 950   | 0.061                   | 0.18          |
|                                | 150                      | 10×12.5                   | 979   | 0.061                   | 0.18          |
|                                | 180                      | 8×20                      | 1190  | 0.046                   | 0.14          |
|                                | 220                      | 10×16                     | 1370  | 0.042                   | 0.12          |
|                                | 270                      | 10×20                     | 1580  | 0.030                   | 0.090         |
|                                | 330                      | 10×23                     | 1870  | 0.028                   | 0.085         |
|                                | 470                      | 12.5×20                   | 2050  | 0.027                   | 0.068         |
|                                | 560                      | 12.5×25                   | 2410  | 0.023                   | 0.059         |
|                                | 680                      | 12.5×30                   | 2860  | 0.021                   | 0.052         |
|                                | 820                      | 12.5×35                   | 2960  | 0.019                   | 0.051         |
|                                | 820                      | 16×20                     | 2730  | 0.023                   | 0.059         |
| 1000                           | 16×25                    | 3010                      | 0.021   | 0.056                   |               |

### ◆标准品一览表 / STANDARD SIZE

| 额定电压<br>Rated Voltage<br>(Vdc) | 静电容量<br>Capacitance (μF) | 外形尺寸<br>Size<br>φ D×L(mm) | 额定纹波电流<br>Rated ripple current<br>(mA r.m.s./105°C, 100kHz) | 阻抗 (Ω MAX)<br>Impedance |               |
|--------------------------------|--------------------------|---------------------------|---|-------------------------|---------------|
|                                |                          |                           |   | 20°C, 100kHz            | -10°C, 100kHz |
| 63                             | 18                       | 5×11                      | 173   | 0.88                    | 3.5           |
|                                | 47                       | 6.3×11                    | 278   | 0.35                    | 1.4           |
|                                | 82                       | 8×11.5                    | 525   | 0.22                    | 0.88          |
|                                | 100                      | 8×16                      | 688   | 0.16                    | 0.64          |
|                                | 120                      | 10×12.5                   | 725   | 0.15                    | 0.60          |
|                                | 150                      | 8×20                      | 861   | 0.12                    | 0.48          |
|                                | 180                      | 10×16                     | 998   | 0.11                    | 0.44          |
|                                | 270                      | 10×20                     | 1200  | 0.078                   | 0.31          |
|                                | 270                      | 12.5×16                   | 1200  | 0.082                   | 0.27          |
|                                | 330                      | 10×23                     | 1410  | 0.069                   | 0.28          |
|                                | 390                      | 12.5×20                   | 1570  | 0.060                   | 0.19          |
|                                | 470                      | 12.5×25                   | 1990  | 0.043                   | 0.14          |
|                                | 560                      | 12.5×30                   | 2410  | 0.035                   | 0.13          |
|                                | 560                      | 16×20                     | 2100  | 0.043                   | 0.14          |
|                                | 680                      | 12.5×35                   | 2620  | 0.033                   | 0.11          |
|                                | 820                      | 12.5×40                   | 2940  | 0.027                   | 0.090         |
|                                | 820                      | 16×25                     | 2730  | 0.032                   | 0.096         |
|                                | 820                      | 18×20                     | 2500  | 0.038                   | 0.10          |
|                                | 1200                     | 16×31.5                   | 2990  | 0.024                   | 0.068         |
|                                | 1200                     | 18×25                     | 2800  | 0.031                   | 0.084         |
| 1500                           | 16×35.5                  | 3040                      | 0.021   | 0.057                   |               |
| 1500                           | 18×31.5                  | 3300                      | 0.025   | 0.068                   |               |
| 1800                           | 16×40                    | 3570                      | 0.019   | 0.057                   |               |
| 1800                           | 18×35.5                  | 3570                      | 0.020   | 0.054                   |               |
| 2200                           | 18×40                    | 3670                      | 0.018   | 0.049                   |               |
| 80                             | 12                       | 5×11                      | 163   | 1.4                     | 5.6           |
|                                | 33                       | 6.3×11                    | 267   | 0.57                    | 2.3           |
|                                | 56                       | 8×11.5                    | 462   | 0.36                    | 1.4           |
|                                | 68                       | 8×16                      | 585   | 0.25                    | 1.0           |
|                                | 82                       | 10×12.5                   | 624   | 0.23                    | 0.96          |
|                                | 100                      | 8×20                      | 735   | 0.19                    | 0.76          |
|                                | 120                      | 10×16                     | 780   | 0.17                    | 0.72          |
|                                | 180                      | 10×20                     | 1040  | 0.12                    | 0.52          |
|                                | 180                      | 12.5×16                   | 975   | 0.13                    | 0.43          |
|                                | 220                      | 10×23                     | 1170  | 0.11                    | 0.47          |
|                                | 270                      | 12.5×20                   | 1430  | 0.085                   | 0.31          |
|                                | 330                      | 12.5×25                   | 1620  | 0.060                   | 0.23          |
|                                | 390                      | 12.5×30                   | 1950  | 0.051                   | 0.21          |
|                                | 390                      | 16×20                     | 1750  | 0.058                   | 0.21          |
|                                | 470                      | 12.5×35                   | 2140  | 0.043                   | 0.17          |
|                                | 560                      | 12.5×40                   | 2340  | 0.036                   | 0.15          |
|                                | 560                      | 16×25                     | 2210  | 0.044                   | 0.16          |
|                                | 560                      | 18×20                     | 1950  | 0.054                   | 0.18          |
|                                | 680                      | 16×31.5                   | 2400  | 0.033                   | 0.12          |
|                                | 820                      | 16×35.5                   | 2600  | 0.029                   | 0.10          |
| 820                            | 18×25                    | 2270                      | 0.038   | 0.13                    |               |
| 1000                           | 16×40                    | 2860                      | 0.027   | 0.090                   |               |
| 1000                           | 18×31.5                  | 2470                      | 0.031   | 0.11                    |               |
| 1200                           | 18×35.5                  | 2860                      | 0.027   | 0.084                   |               |
| 1500                           | 18×40                    | 3510                      | 0.026   | 0.076                   |               |

| 额定电压<br>Rated Voltage<br>(Vdc) | 静电容量<br>Capacitance (μF) | 外形尺寸<br>Size<br>φ D×L(mm) | 额定纹波电流<br>Rated ripple current<br>(mA r.m.s./105°C, 100kHz) | 阻抗 (Ω MAX)<br>Impedance |               |
|--------------------------------|--------------------------|---------------------------|---|-------------------------|---------------|
|                                |                          |                           |   | 20°C, 100kHz            | -10°C, 100kHz |
| 100                            | 8.2                      | 5×11                      | 163   | 1.4                     | 5.6           |
|                                | 18                       | 6.3×11                    | 267   | 0.57                    | 2.3           |
|                                | 33                       | 8×11.5                    | 462   | 0.36                    | 1.4           |
|                                | 47                       | 8×16                      | 585   | 0.25                    | 1.0           |
|                                | 56                       | 10×12.5                   | 624   | 0.23                    | 0.96          |
|                                | 68                       | 8×20                      | 735   | 0.19                    | 0.76          |
|                                | 82                       | 10×16                     | 780   | 0.17                    | 0.72          |
|                                | 100                      | 10×20                     | 1040  | 0.12                    | 0.52          |
|                                | 100                      | 12.5×16                   | 975   | 0.13                    | 0.43          |
|                                | 120                      | 10×23                     | 1170  | 0.11                    | 0.47          |
|                                | 150                      | 12.5×20                   | 1430  | 0.085                   | 0.31          |
|                                | 220                      | 12.5×25                   | 1620  | 0.060                   | 0.23          |
|                                | 270                      | 12.5×30                   | 1950  | 0.051                   | 0.21          |
|                                | 270                      | 16×20                     | 1750  | 0.058                   | 0.21          |
|                                | 330                      | 12.5×35                   | 2140  | 0.043                   | 0.17          |
|                                | 390                      | 12.5×40                   | 2340  | 0.036                   | 0.15          |
|                                | 390                      | 16×25                     | 2210  | 0.044                   | 0.16          |
|                                | 390                      | 18×20                     | 1950  | 0.054                   | 0.18          |
|                                | 470                      | 16×31.5                   | 2400  | 0.033                   | 0.12          |
|                                | 470                      | 18×25                     | 2270  | 0.038                   | 0.13          |
| 560                            | 16×35.5                  | 2600                      | 0.029   | 0.10                    |               |
| 560                            | 18×31.5                  | 2470                      | 0.031   | 0.11                    |               |
| 680                            | 16×40                    | 2860                      | 0.027   | 0.090                   |               |
| 680                            | 18×35.5                  | 2860                      | 0.027   | 0.084                   |               |
| 820                            | 18×40                    | 3510                      | 0.026   | 0.076                   |               |

## X-ON Electronics

Largest Supplier of Electrical and Electronic Components

*Click to view similar products for [Aluminium Electrolytic Capacitors - Radial Leaded](#) category:*

*Click to view products by [Rubycon](#) manufacturer:*

Other Similar products are found below :

[NRELS102M35V16X16C.140LLF](#) [ESRG160ETC100MD07D](#) [227RZS050M](#) [335CKR250M](#) [476CKH100MSA](#) [477CKR100M](#)  
[107CKR010M](#) [107CKH063MSA](#) [RJH-25V222MI9#](#) [RJH-35V221MG5#](#) [B43827A1106M8](#) [RJH-50V221MH6#](#) [EKYA500ELL470MF11D](#)  
[B41022A5686M6](#) [ESRG250ELL101MH09D](#) [EKMA160EC3101MF07D](#) [RJB-10V471MG3#](#) [ESMG160ETD221MF11D](#)  
[EKZH160ETD152MJ20S](#) [RJH-35V122MJ6#](#) [EGXF630ELL621ML20S](#) [RBD-25V100KE3#N](#) [EKMA350ELL100ME07D](#)  
[ESMG160ETD101ME11D](#) [ELXY100ETD102MJ20S](#) [EGXF500ELL561ML15S](#) [EKMG350ETD471MJ16S](#) [35YXA330MEFC10X12.5](#)  
[RXW471M1ESA-0815](#) [ELXZ630ELL221MJ25S](#) [ERR1HM1R0D11OT](#) [LPE681M30060FVA](#) [LPL471M22030FVA](#) [HFE221M25030FVA](#)  
[LKMD1401H221MF](#) [B41888G6108M000](#) [EKMA160ETD470MF07D](#) [UHW1J102MHD6](#) [EKMG500ETD221MJC5S](#) [LKMK2502W101MF](#)  
[LKMD1401H181MF](#) [LKMI2502G820MF](#) [LKMJ2001J122MF](#) [LKML2501C472MF](#) [LKMJ4002C681MF](#) [450MXH330MEFCSN25X45](#)  
[450MXK330MA2RFC22X50](#) [63ZLH560MEFCG412.5X30](#) [ELH2DM331O25KT](#) [ELH2DM471P30KT](#)