

CFX SERIES
Load Life : 105°C 5000 hours

*For LED Lighting.

 RoHS
compliance

◆SPECIFICATIONS

Items	Characteristics	
Category Temperature Range	-25~+105°C	
Rated Voltage Range	160~450Vdc	
Capacitance Tolerance	±20% (20°C, 120Hz)	
Leakage Current(MAX)	CV ≤ 1000	CV > 1000
	I = 0.1CV + 40µA (1 minute) I = 0.03CV + 15µA (5 minutes)	I = 0.04CV + 100µA (1 minute) I = 0.02CV + 25µA (5 minutes)
Dissipation Factor(MAX) (tanδ)	Rated Voltage (Vdc)	160 200 250 350 400 450 (20°C, 120Hz)
	tanδ	0.15 0.15 0.15 0.20 0.20 0.20
Endurance	After applying rated voltage with rated ripple current for 5000 hrs at 105°C, the capacitors shall meet the following requirements.	
	Capacitance Change	Within ±20% of the initial value.
	Dissipation Factor	Not more than 200% of the specified value.
Low Temperature Stability Impedance Ratio(MAX)	Rated Voltage (Vdc)	160 200 250 350 400 450 (120Hz)
	Z(-25°C)/Z(20°C)	3 3 3 6 6 6

◆MULTIPLIER FOR RIPPLE CURRENT

Frequency (Hz)		120	1k	10k	100k ≤
Coefficient	2.2~4.7µF	0.2	0.4	0.8	1.0
	6.8~10µF	0.3	0.6	0.9	1.0
	22~100µF	0.5	0.8	0.9	1.0

◆OPTION

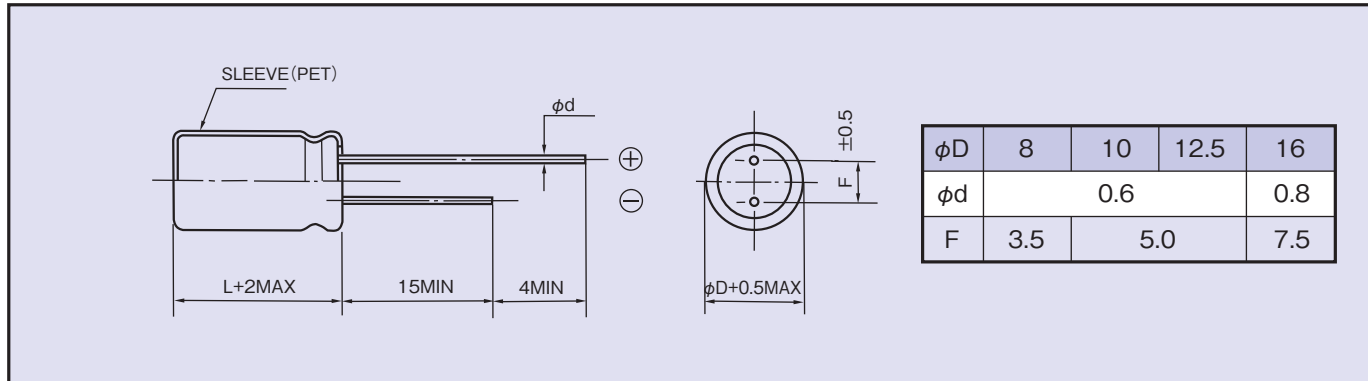
	Code
PET Sleeve	EFC

◆PART NUMBER

□□□	CFX	□□□□□	M	□□□	□□	DXL
Rated Voltage	Series	Capacitance	Capacitance Tolerance	Option	Lead Forming	Case Size

◆ **DIMENSIONS**

(mm)



◆ **STANDARD SIZE**

Rated Voltage (Vdc)	Capacitance (μF)	Size φD×L (mm)	Rated Ripple Current (mA r.m.s.105°C,100kHz)
160	27	10×12.5	601
200	10	10×16	300
	22	10×12.5	595
		10×16	360
	33	10×20	500
	47	12.5×20	660
	68	12.5×25	760
	100	16×25	1120
250	6.8	10×12.5	340
	10	10×16	300
	15	10×12.5	468
	22	10×20	500
	33	12.5×20	600
	47	12.5×25	720
	68	16×25	920

Rated Voltage (Vdc)	Capacitance (μF)	Size φD×L (mm)	Rated Ripple Current (mA r.m.s.105°C,100kHz)	
350	3.3	10×16	180	
	4.7	10×16	220	
	6.8	10×16	220	
	10	10×12.5	400	
		10×20	280	
	22	12.5×20	350	
	33	12.5×25	430	
	47	16×25	660	
	400	2.2	10×16	160
		3.3	10×16	180
4.7		10×16	220	
6.8		10×16	220	
8.2		8×23	400	
		10×12.5	330	
10		10×20	280	
22		12.5×25	430	
33		16×25	640	
450		3.3	10×12.5	307

X-ON Electronics

Largest Supplier of Electrical and Electronic Components

Click to view similar products for [Aluminium Electrolytic Capacitors - Radial Leaded](#) category:

Click to view products by [Rubycon](#) manufacturer:

Other Similar products are found below :

[NRELS102M35V16X16C.140LLF](#) [ESRG160ETC100MD07D](#) [227RZS050M](#) [335CKR250M](#) [476CKH100MSA](#) [477CKR100M](#)
[107CKR010M](#) [107CKH063MSA](#) [RJH-25V222MI9#](#) [RJH-35V221MG5#](#) [B43827A1106M8](#) [RJH-50V221MH6#](#) [EKYA500ELL470MF11D](#)
[B41022A5686M6](#) [EKMA160EC3101MF07D](#) [RJB-10V471MG3#](#) [ESMG160ETD221MF11D](#) [EKZH160ETD152MJ20S](#) [RJH-35V122MJ6#](#)
[EGXF630ELL621ML20S](#) [RBD-25V100KE3#N](#) [EKMA350ELL100ME07D](#) [ESMG160ETD101ME11D](#) [ELXY100ETD102MJ20S](#)
[EGXF500ELL561ML15S](#) [EKMG350ETD471MJ16S](#) [MEA562M2G--D130](#) [35YXA330MEFC10X12.5](#) [ELXZ630ELL221MJ25S](#)
[ERR1HM1R0D11OT](#) [LPE681M30060FVA](#) [LPL471M22030FVA](#) [HFE221M25030FVA](#) [LKMD1401H221MF](#) [B41888G6108M000](#)
[EKMA160ETD470MF07D](#) [UHW1J102MHD6](#) [510D476M035CC3DE3](#) [EKMG500ETD221MJC5S](#) [LKMK2502W101MF](#)
[LKMD1401H181MF](#) [LKMI2502G820MF](#) [LKMJ2001J122MF](#) [LKML2501C472MF](#) [LKMJ4002C681MF](#) [450MXH330MEFCSN25X45](#)
[450MXK330MA2RFC22X50](#) [63ZLH560MEFCG412.5X30](#) [ELH2DM331O25KT](#) [ELH2DM471P30KT](#)