

MXK series

105°C 3000 時間 超小型品
Load Life : 105°C 3000 hours ,Ultra Miniaturized



◆規格表 / SPECIFICATIONS

| 項目 Item | 特性 Characteristics | | | | | | | | | | | | | | | | | | | | |
|--|--|------------|-------------------------------|---|---------|------------------------------|--|----------|-------------------------|---|----------|---------------|-------|-------------------|------|------|------|------|------|------|------|
| カテゴリ温度範囲 Category Temperature Range | -40~+105°C | -25~+105°C | | | | | | | | | | | | | | | | | | | |
| 定格電圧範囲 Rated Voltage Range | 16~250Vdc | 400~500Vdc | | | | | | | | | | | | | | | | | | | |
| 静電容量許容差 Capacitance Tolerance | ±20% (20°C, 120Hz) | | | | | | | | | | | | | | | | | | | | |
| 漏れ電流 Leakage Current (MAX) | $I=3\sqrt{CV}$ 又は5mAいずれかの小なる値(定格電圧印加5分後) $I=3\sqrt{CV}$ or 5mA whichever is smaller(After 5 minutes application of rated voltage) I=漏れ電流(μA) C=静電容量(μF) V=定格電圧(Vdc) Leakage Current Capacitance Rated Voltage | | | | | | | | | | | | | | | | | | | | |
| 損失角の正接(tan δ) Dissipation Factor (MAX) | <table border="1"> <tr> <td>定格電圧 (Vdc) Rated Voltage</td> <td>16</td> <td>25</td> <td>35</td> <td>50</td> <td>63</td> <td>80~100</td> <td>160~450</td> <td>475, 500</td> <td rowspan="2">(20°C, 120Hz)</td> </tr> <tr> <td>tan δ</td> <td>0.50</td> <td>0.45</td> <td>0.40</td> <td>0.35</td> <td>0.30</td> <td>0.25</td> <td>0.20</td> <td>0.25</td> </tr> </table> | | 定格電圧 (Vdc) Rated Voltage | 16 | 25 | 35 | 50 | 63 | 80~100 | 160~450 | 475, 500 | (20°C, 120Hz) | tan δ | 0.50 | 0.45 | 0.40 | 0.35 | 0.30 | 0.25 | 0.20 | 0.25 |
| 定格電圧 (Vdc) Rated Voltage | 16 | 25 | 35 | 50 | 63 | 80~100 | 160~450 | 475, 500 | (20°C, 120Hz) | | | | | | | | | | | | |
| tan δ | 0.50 | 0.45 | 0.40 | 0.35 | 0.30 | 0.25 | 0.20 | 0.25 | | | | | | | | | | | | | |
| 耐久性 Endurance | 105°C 中で3000時間定格電圧(リップル重畳)印加後、下記項目を満足すること。 After applying rated voltage with rated ripple current for 3000 hours at 105°C, the capacitors shall meet the following requirements. | | | | | | | | | | | | | | | | | | | | |
| | <table border="1"> <tr> <td>静電容量変化率 Capacitance Change</td> <td colspan="2">初期値の ±20% 以内 Within ±20% of the initial value.</td> </tr> <tr> <td>損失角の正接 Dissipation Factor</td> <td colspan="2">規格値の 200% 以下 Not more than 200% of the specified value.</td> </tr> <tr> <td>漏れ電流 Leakage Current</td> <td colspan="2">規格値以下 Not more than the specified value.</td> </tr> </table> | | 静電容量変化率 Capacitance Change | 初期値の ±20% 以内 Within ±20% of the initial value. | | 損失角の正接 Dissipation Factor | 規格値の 200% 以下 Not more than 200% of the specified value. | | 漏れ電流 Leakage Current | 規格値以下 Not more than the specified value. | | | | | | | | | | | |
| 静電容量変化率 Capacitance Change | 初期値の ±20% 以内 Within ±20% of the initial value. | | | | | | | | | | | | | | | | | | | | |
| 損失角の正接 Dissipation Factor | 規格値の 200% 以下 Not more than 200% of the specified value. | | | | | | | | | | | | | | | | | | | | |
| 漏れ電流 Leakage Current | 規格値以下 Not more than the specified value. | | | | | | | | | | | | | | | | | | | | |
| 低温特性 Low Temperature Stability (インピーダンス比) Impedance Ratio (MAX) | <table border="1"> <tr> <td>定格電圧 (Vdc) Rated Voltage</td> <td>16~100</td> <td>160~250</td> <td>400~450</td> <td>475, 500</td> <td rowspan="3">(120Hz)</td> </tr> <tr> <td>Z(-25°C)/Z(+20°C)</td> <td>3</td> <td>4</td> <td>8</td> <td>10</td> </tr> <tr> <td>Z(-40°C)/Z(+20°C)</td> <td>12</td> <td>15</td> <td>-</td> <td>-</td> </tr> </table> | | 定格電圧 (Vdc) Rated Voltage | 16~100 | 160~250 | 400~450 | 475, 500 | (120Hz) | Z(-25°C)/Z(+20°C) | 3 | 4 | 8 | 10 | Z(-40°C)/Z(+20°C) | 12 | 15 | - | - | | | |
| 定格電圧 (Vdc) Rated Voltage | 16~100 | 160~250 | 400~450 | 475, 500 | (120Hz) | | | | | | | | | | | | | | | | |
| Z(-25°C)/Z(+20°C) | 3 | 4 | 8 | 10 | | | | | | | | | | | | | | | | | |
| Z(-40°C)/Z(+20°C) | 12 | 15 | - | - | | | | | | | | | | | | | | | | | |

◆呼称方法 / PART NUMBER

MXK M D x L
 定格電圧 シリーズ名 静電容量 静電容量許容差 副記号 端子記号 ケースサイズ
 Rated Voltage Series Capacitance Capacitance Tolerance Option Terminal Code Case Size

◆リップル電流補正係数 /

MULTIPLIER FOR RIPPLE CURRENT

| 周波数 (Hz) Frequency | 60 (50) | 120 (100) | 300 | 500 | 1k | 10k ≤ |
|-----------------------|------------|--------------|------|------|------|-------|
| 16~100Vdc | 0.90 | 1.00 | 1.03 | 1.05 | 1.10 | 1.15 |
| 160~250Vdc | 0.80 | 1.00 | 1.15 | 1.20 | 1.30 | 1.50 |
| 400~500Vdc | 0.80 | 1.00 | 1.15 | 1.20 | 1.25 | 1.40 |

◆副記号 / OPTION

EFC : PET スリーブ、底板なし
PET Sleeve without plate

◆端子記号 / Terminal Code

SN : 標準端子 Standard Terminal

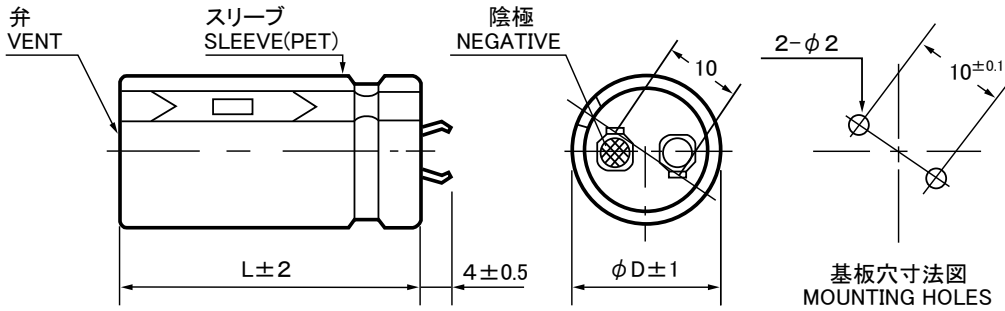
その他の形状は端子形状一覧を御確認ください。
For other type, please refer to the list of terminal type.

◆寸法図／DIMENSIONS

●SN[4mm]端子タイプ
SN[4mm]terminal type

端子記号 : SN(錫メッキ)
Terminal code : SN(Tin plating)

(mm)



◆標準品一覧表／STANDARD SIZE

| Cap. (μ F) | 16Vdc | | | | 25Vdc | | | |
|--------------------|-----------|-----------|-----------|-----------|-----------|-----------|-----------|-----------|
| | ϕ 22 | ϕ 25 | ϕ 30 | ϕ 35 | ϕ 22 | ϕ 25 | ϕ 30 | ϕ 35 |
| 8200 | | | | | 22×25 | 2.91 | | |
| 10000 | | | | | 22×30 | 3.41 | | |
| 12000 | | | | | 22×30 | 3.34 | 25×25 | 2.82 |
| 15000 | 22×25 | 2.90 | | | 22×35 | 3.75 | 25×30 | 3.33 |
| 18000 | 22×30 | 3.43 | 25×25 | 2.91 | 22×40 | 4.14 | 25×35 | 3.78 |
| 22000 | 22×35 | 3.87 | 25×30 | 3.44 | 22×50 | 4.88 | 25×40 | 4.14 |
| 27000 | 22×40 | 4.25 | 25×30 | 3.27 | 22×55 | 5.12 | 25×45 | 4.44 |
| 33000 | 22×45 | 4.57 | 25×35 | 3.69 | | | 30×30 | 5.13 |
| 39000 | 22×50 | 4.88 | 25×40 | 4.08 | | | 30×35 | 5.76 |
| 47000 | 22×60 | 5.50 | 25×50 | 4.87 | | | 30×40 | 6.30 |
| | | | 30×30 | 5.27 | | | 35×35 | 5.76 |
| | | | 30×30 | 5.14 | | | 25×50 | 4.72 |
| | | | | | | | 25×60 | 5.34 |
| | | | 30×35 | 5.78 | | | 30×45 | 6.79 |
| | | | 35×30 | 5.07 | | | 30×50 | 7.20 |
| | | | 30×40 | 6.34 | | | 35×40 | 6.09 |
| | | | 35×35 | 5.76 | | | 30×60 | 8.07 |
| | | | 30×50 | 7.40 | | | 35×45 | 6.57 |
| | | | 30×55 | 7.76 | | | 35×55 | 7.52 |
| | | | 35×45 | 6.76 | | | | |
| Cap. (μ F) | 35Vdc | | | | 50Vdc | | | |
| | ϕ 22 | ϕ 25 | ϕ 30 | ϕ 35 | ϕ 22 | ϕ 25 | ϕ 30 | ϕ 35 |
| 3300 | | | | | 22×25 | 2.47 | | |
| 3900 | | | | | 22×30 | 2.90 | | |
| 4700 | | | | | 22×30 | 2.89 | 25×25 | 2.48 |
| 5600 | 22×25 | 2.80 | | | 22×35 | 3.27 | 25×30 | 2.94 |
| 6800 | 22×30 | 3.29 | | | 22×40 | 3.63 | 25×35 | 3.34 |
| 8200 | 22×35 | 3.72 | 25×25 | 2.73 | 22×50 | 4.28 | 25×40 | 3.69 |
| 10000 | 22×40 | 4.10 | 25×30 | 3.22 | 22×55 | 4.55 | 25×45 | 3.99 |
| 12000 | 22×45 | 4.44 | 25×35 | 3.66 | | | 30×25 | 3.79 |
| 15000 | 22×50 | 4.72 | 25×40 | 3.99 | | | 30×30 | 4.43 |
| 18000 | 22×60 | 5.33 | 25×45 | 4.33 | | | 30×35 | 5.00 |
| 22000 | | | 30×30 | 4.94 | | | 35×30 | 4.52 |
| 27000 | | | 30×35 | 5.57 | | | 30×40 | 5.52 |
| 33000 | | | 30×40 | 6.10 | | | 35×30 | 4.41 |
| 39000 | | | 35×30 | 4.95 | | | 30×45 | 5.97 |
| 47000 | | | 35×35 | 5.58 | | | 35×40 | 5.62 |
| | | | 30×40 | 6.10 | | | 30×55 | 6.83 |
| | | | 30×50 | 7.12 | | | 35×45 | 6.07 |
| | | | 35×40 | 6.10 | | | 35×50 | 6.45 |
| | | | 35×45 | 6.55 | | | 35×60 | 7.26 |
| | | | 35×50 | 6.95 | | | | |
| | | | 35×60 | 7.82 | | | | |
| Cap. (μ F) | 63Vdc | | | | 80Vdc | | | |
| | ϕ 22 | ϕ 25 | ϕ 30 | ϕ 35 | ϕ 22 | ϕ 25 | ϕ 30 | ϕ 35 |
| 1800 | | | | | 22×25 | 2.21 | | |
| 2200 | 22×25 | 2.28 | | | 22×30 | 2.59 | 25×25 | 2.32 |
| 2700 | 22×30 | 2.67 | | | 22×35 | 2.94 | 25×30 | 2.72 |
| 3300 | 22×30 | 2.70 | 25×25 | 2.38 | 22×40 | 3.27 | 25×30 | 2.70 |
| 3900 | 22×35 | 3.06 | 25×30 | 2.80 | 22×45 | 3.58 | 25×35 | 3.07 |
| 4700 | 22×40 | 3.40 | 25×35 | 3.18 | 22×50 | 3.89 | 25×40 | 3.41 |
| 5600 | 22×45 | 3.72 | 25×40 | 3.48 | 22×60 | 4.41 | 25×45 | 3.71 |
| 6800 | 22×50 | 4.08 | 25×45 | 3.81 | | | 30×25 | 3.39 |
| 8200 | 22×55 | 4.29 | 25×50 | 4.12 | | | 30×30 | 3.92 |
| 10000 | 22×60 | 4.55 | 25×55 | 4.38 | | | 30×35 | 4.30 |
| | | | 30×25 | 3.53 | | | 30×40 | 4.99 |
| | | | 30×30 | 4.11 | | | 35×25 | 3.52 |
| | | | 30×35 | 4.64 | | | 30×30 | 3.99 |
| | | | 35×25 | 3.65 | | | 35×25 | 3.52 |
| | | | 30×40 | 4.11 | | | 30×35 | 4.50 |
| | | | 35×30 | 4.29 | | | 35×30 | 4.15 |
| | | | 35×30 | 4.24 | | | 35×35 | 4.69 |
| | | | 35×35 | 4.80 | | | 35×40 | 5.19 |
| | | | 30×45 | 5.60 | | | 30×45 | 5.44 |
| | | | 35×35 | 4.80 | | | 35×45 | 5.63 |
| | | | 30×50 | 6.03 | | | 35×50 | 6.04 |
| | | | 30×60 | 6.80 | | | 35×60 | 6.80 |
| | | | 35×45 | 5.72 | | | | |
| | | | 35×55 | 6.59 | | | | |
| | | | 35×60 | 6.92 | | | | |

ケースサイズ Case Size ϕ D × L (mm) \nearrow
リップル電流 Ripple Current (A.r.m.s./120Hz, 105°C) \nearrow

◆標準品一覧表 / STANDARD SIZE

| Cap. (μ F) | 100Vdc | | | | | | | | 160Vdc | | | | | | | |
|--------------------|-----------|------|-----------|------|-----------|------|-----------|------|-----------|------|-----------|------|-----------|------|-----------|------|
| | ϕ 22 | | ϕ 25 | | ϕ 30 | | ϕ 35 | | ϕ 22 | | ϕ 25 | | ϕ 30 | | ϕ 35 | |
| 560 | | | | | | | | | 22×25 | 1.60 | | | | | | |
| 680 | | | | | | | | | 22×30 | 1.87 | 25×25 | 1.72 | | | | |
| 820 | | | | | | | | | 22×35 | 2.14 | 25×30 | 1.92 | | | | |
| 1000 | 22×25 | 2.01 | | | | | | | 22×40 | 2.42 | 25×30 | 2.07 | 30×25 | 1.84 | | |
| 1200 | 22×30 | 2.33 | | | | | | | 22×45 | 2.69 | 25×35 | 2.36 | 30×30 | 2.00 | | |
| 1500 | 22×30 | 2.41 | 25×25 | 2.17 | | | | | 22×55 | 3.17 | 25×40 | 2.67 | 30×30 | 2.16 | 35×25 | 1.77 |
| 1800 | 22×35 | 2.74 | 25×30 | 2.54 | | | | | 22×60 | 3.46 | 25×50 | 3.18 | 30×35 | 2.46 | 35×30 | 2.13 |
| 2200 | 22×40 | 3.05 | 25×35 | 2.89 | 30×25 | 3.15 | | | | | 25×55 | 3.48 | 30×40 | 2.77 | 35×35 | 2.45 |
| 2700 | 22×50 | 3.59 | 25×40 | 3.21 | 30×30 | 3.67 | 35×25 | 3.31 | | | | | 30×50 | 3.32 | 35×40 | 2.73 |
| 3300 | 22×55 | 3.89 | 25×45 | 3.51 | 30×35 | 4.15 | 35×30 | 3.88 | | | | | 30×55 | 3.59 | 35×45 | 2.96 |
| 3900 | | | 25×50 | 3.79 | 30×40 | 4.60 | 35×30 | 3.89 | | | | | | | 35×50 | 3.23 |
| 4700 | | | 25×60 | 4.31 | 30×45 | 5.04 | 35×35 | 4.40 | | | | | | | 35×60 | 3.72 |
| 5600 | | | | | 30×50 | 5.46 | 35×40 | 4.87 | | | | | | | | |
| 6800 | | | | | 30×60 | 6.16 | 35×45 | 5.32 | | | | | | | | |
| 8200 | | | | | | | 35×55 | 6.10 | | | | | | | | |

| Cap. (μ F) | 180Vdc | | | | | | | | 200Vdc | | | | | | | |
|--------------------|-----------|------|-----------|------|-----------|------|-----------|------|-----------|------|-----------|------|-----------|------|-----------|------|
| | ϕ 22 | | ϕ 25 | | ϕ 30 | | ϕ 35 | | ϕ 22 | | ϕ 25 | | ϕ 30 | | ϕ 35 | |
| 470 | 22×25 | 1.53 | | | | | | | 22×25 | 1.53 | | | | | | |
| 560 | 22×30 | 1.75 | | | | | | | 22×30 | 1.78 | 25×25 | 1.65 | | | | |
| 680 | 22×30 | 1.87 | 25×25 | 1.70 | | | | | 22×35 | 2.04 | 25×30 | 1.85 | | | | |
| 820 | 22×35 | 2.13 | 25×30 | 2.00 | | | | | 22×40 | 2.30 | 25×30 | 1.99 | 30×25 | 1.79 | | |
| 1000 | 22×40 | 2.41 | 25×35 | 2.29 | 30×25 | 1.79 | | | 22×45 | 2.58 | 25×35 | 2.28 | 30×30 | 1.94 | | |
| 1200 | 22×50 | 2.85 | 25×40 | 2.58 | 30×30 | 2.13 | 35×25 | 1.79 | 22×50 | 2.85 | 25×40 | 2.56 | 30×30 | 2.10 | 35×25 | 1.75 |
| 1500 | 22×60 | 3.32 | 25×45 | 2.87 | 30×35 | 2.44 | 35×30 | 1.91 | | | 25×50 | 3.06 | 30×35 | 2.41 | 35×30 | 2.09 |
| 1800 | | | 25×55 | 3.36 | 30×40 | 2.73 | 35×30 | 2.09 | | | 25×60 | 3.52 | 30×45 | 2.99 | 35×35 | 2.41 |
| 2200 | | | | | 30×45 | 3.00 | 35×35 | 2.38 | | | | | 30×50 | 3.22 | 35×40 | 2.66 |
| 2700 | | | | | 30×55 | 3.53 | 35×45 | 2.99 | | | | | 30×60 | 3.72 | 35×45 | 2.91 |
| 3300 | | | | | | | 35×50 | 3.21 | | | | | | | 35×55 | 3.43 |
| 3900 | | | | | | | 35×55 | 3.45 | | | | | | | 35×60 | 3.66 |

| Cap. (μ F) | 220Vdc | | | | | | | | 250Vdc | | | | | | | |
|--------------------|-----------|------|-----------|------|-----------|------|-----------|------|-----------|------|-----------|------|-----------|------|-----------|------|
| | ϕ 22 | | ϕ 25 | | ϕ 30 | | ϕ 35 | | ϕ 22 | | ϕ 25 | | ϕ 30 | | ϕ 35 | |
| 330 | | | | | | | | | 22×25 | 1.38 | | | | | | |
| 390 | 22×25 | 1.46 | | | | | | | 22×30 | 1.58 | | | | | | |
| 470 | 22×30 | 1.70 | | | | | | | 22×30 | 1.68 | 25×25 | 1.55 | | | | |
| 560 | 22×35 | 1.93 | 25×25 | 1.64 | | | | | 22×35 | 1.91 | 25×30 | 1.81 | | | | |
| 680 | 22×40 | 2.19 | 25×30 | 1.91 | | | | | 22×40 | 2.16 | 25×35 | 2.07 | 30×25 | 1.66 | | |
| 820 | 22×45 | 2.44 | 25×35 | 2.19 | 30×25 | 1.74 | | | 22×50 | 2.55 | 25×40 | 2.33 | 30×30 | 1.97 | 35×25 | 1.68 |
| 1000 | 22×50 | 2.72 | 25×40 | 2.47 | 30×30 | 2.06 | 35×25 | 1.74 | 22×55 | 2.82 | 25×45 | 2.59 | 30×35 | 2.26 | 35×30 | 1.89 |
| 1200 | 22×60 | 3.13 | 25×45 | 2.74 | 30×35 | 2.36 | 35×30 | 2.09 | | | 25×50 | 2.86 | 30×40 | 2.51 | 35×30 | 1.94 |
| 1500 | | | 25×55 | 3.22 | 30×40 | 2.64 | 35×35 | 2.22 | | | | | 30×45 | 2.76 | 35×35 | 2.22 |
| 1800 | | | | | 30×45 | 2.91 | 35×35 | 2.34 | | | | | 30×50 | 3.03 | 35×40 | 2.49 |
| 2200 | | | | | 30×55 | 3.42 | 35×45 | 2.92 | | | | | 30×60 | 3.49 | 35×50 | 3.00 |
| 2700 | | | | | | | 35×50 | 3.13 | | | | | | | 35×55 | 3.23 |
| 3300 | | | | | | | 35×60 | 3.62 | | | | | | | | |

| Cap. (μ F) | 400Vdc | | | | | | | | 420Vdc | | | | | | | |
|--------------------|-----------|------|-----------|------|-----------|------|-----------|------|-----------|------|-----------|------|-----------|------|-----------|------|
| | ϕ 22 | | ϕ 25 | | ϕ 30 | | ϕ 35 | | ϕ 22 | | ϕ 25 | | ϕ 30 | | ϕ 35 | |
| 120 | | | | | | | | | 22×25 | 0.95 | | | | | | |
| 150 | 22×25 | 1.03 | | | | | | | 22×25 | 1.02 | | | | | | |
| 180 | 22×30 | 1.19 | 25×25 | 1.15 | | | | | 22×30 | 1.20 | 25×25 | 1.16 | | | | |
| 220 | 22×30 | 1.26 | 25×25 | 1.20 | | | | | 22×35 | 1.38 | 25×30 | 1.35 | | | | |
| 270 | 22×35 | 1.37 | 25×30 | 1.32 | | | | | 22×40 | 1.57 | 25×35 | 1.55 | 30×25 | 1.36 | | |
| 330 | 22×45 | 1.77 | 25×35 | 1.65 | 30×25 | 1.39 | | | 22×45 | 1.72 | 25×35 | 1.61 | 30×30 | 1.59 | 35×25 | 1.45 |
| 390 | 22×50 | 1.97 | 25×40 | 1.85 | 30×30 | 1.65 | 35×25 | 1.48 | 22×50 | 1.85 | 25×40 | 1.76 | 30×30 | 1.61 | 35×25 | 1.45 |
| 470 | 22×55 | 2.11 | 25×45 | 2.07 | 30×35 | 1.89 | 35×30 | 1.69 | 22×60 | 2.19 | 25×50 | 2.18 | 30×35 | 1.85 | 35×30 | 1.72 |
| 560 | 22×60 | 2.20 | 25×55 | 2.32 | 30×40 | 2.12 | 35×30 | 1.75 | | | 25×55 | 2.32 | 30×40 | 2.04 | 35×30 | 1.72 |
| 680 | | | 25×60 | 2.56 | 30×45 | 2.35 | 35×35 | 2.00 | | | 25×60 | 2.43 | 30×45 | 2.27 | 35×35 | 1.97 |
| 820 | | | | | 30×50 | 2.53 | 35×40 | 2.21 | | | | | 30×45 | 2.29 | 35×40 | 2.22 |
| 1000 | | | | | 30×55 | 2.66 | 35×45 | 2.48 | | | | | 30×50 | 2.50 | 35×40 | 2.22 |
| 1200 | | | | | 30×60 | 2.91 | 35×50 | 2.70 | | | | | 30×55 | 2.68 | 35×45 | 2.45 |
| | | | | | | | 35×55 | 2.85 | | | | | 30×60 | 2.79 | 35×45 | 2.45 |
| | | | | | | | 35×60 | 2.99 | | | | | | | 35×50 | 2.64 |
| | | | | | | | | | | | | | | | 35×55 | 2.76 |
| | | | | | | | | | | | | | | | 35×60 | 3.03 |

ケースサイズ Case Size ϕ D×L(mm) \longleftarrow
 リプル電流 Ripple Current (A.r.m.s./120Hz,105°C) \longleftarrow

◆標準品一覧表 / STANDARD SIZE

| Cap. (μ F) | 450Vdc | | | | | | | | 475Vdc | | | | | | | |
|--------------------|-----------|------|-----------|------|-----------|------|-----------|-------|-----------|------|-----------|------|-----------|------|-----------|------|
| | ϕ 22 | | ϕ 25 | | ϕ 30 | | ϕ 35 | | ϕ 22 | | ϕ 25 | | ϕ 30 | | ϕ 35 | |
| 82 | | | | | | | | | 22x25 | 0.79 | | | | | | |
| 100 | | | | | | | | | 22x30 | 0.90 | 25x25 | 0.90 | | | | |
| 120 | 22x25 | 0.95 | | | | | | | 22x25 | 0.84 | 25x30 | 1.02 | | | | |
| | | | | | | | | 22x30 | 0.97 | | | | | | | |
| 150 | 22x30 | 1.12 | 25x25 | 1.08 | | | | | 22x30 | 1.00 | 25x25 | 0.98 | 30x25 | 1.11 | | |
| | | | | | | | | | 22x35 | 1.13 | 25x30 | 1.12 | | | | |
| 180 | 22x30 | 1.17 | 25x25 | 1.14 | | | | | 22x35 | 1.14 | 25x30 | 1.13 | 30x30 | 1.27 | | |
| | 22x35 | 1.27 | 25x30 | 1.24 | | | | | 22x40 | 1.27 | 25x35 | 1.27 | | | | |
| 220 | 22x35 | 1.34 | 25x30 | 1.34 | 30x25 | 1.29 | | | 22x40 | 1.30 | 25x35 | 1.29 | 30x25 | 1.18 | 35x25 | 1.27 |
| | 22x40 | 1.45 | | | | | | | 22x45 | 1.44 | 25x40 | 1.44 | 30x30 | 1.37 | | |
| 270 | 22x40 | 1.53 | 25x35 | 1.54 | 30x25 | 1.34 | | | 22x45 | 1.45 | 25x40 | 1.47 | 30x30 | 1.38 | 35x25 | 1.30 |
| | 22x45 | 1.65 | | | 30x30 | 1.49 | | | 22x55 | 1.68 | 25x45 | 1.63 | 30x35 | 1.56 | 35x30 | 1.51 |
| 330 | 22x50 | 1.81 | 25x40 | 1.72 | 30x30 | 1.58 | 35x25 | 1.42 | 22x55 | 1.72 | 25x45 | 1.67 | 30x35 | 1.59 | 35x30 | 1.57 |
| | 22x55 | 1.88 | 25x45 | 1.85 | | | | | | | 25x50 | 1.83 | 30x40 | 1.77 | | |
| 390 | 22x55 | 1.98 | 25x45 | 1.91 | 30x35 | 1.80 | 35x30 | 1.68 | | | 25x50 | 1.84 | 30x40 | 1.85 | 35x30 | 1.57 |
| | 22x60 | 2.07 | 25x50 | 2.04 | | | | | 25x60 | 2.08 | 35x35 | 1.79 | | | | |
| 470 | | | 25x55 | 2.21 | 30x40 | 2.02 | 35x30 | 1.69 | | | 25x60 | 2.13 | 30x45 | 1.99 | 35x35 | 1.79 |
| | | | | | | | 35x35 | 1.92 | 30x50 | 2.17 | | | 35x40 | 2.00 | | |
| 560 | | | 25x60 | 2.41 | 30x45 | 2.24 | 35x35 | 1.92 | | | | | 30x50 | 2.18 | 35x40 | 2.00 |
| | | | | | | | 35x40 | 2.15 | 30x55 | 2.38 | 35x45 | 2.22 | | | | |
| 680 | | | | | 30x50 | 2.41 | 35x40 | 2.16 | | | | | 30x60 | 2.52 | 35x45 | 2.20 |
| | | | | | 30x55 | 2.54 | 35x45 | 2.38 | | | | | | | 35x50 | 2.45 |
| 820 | | | | | 30x60 | 2.77 | 35x45 | 2.36 | | | | | | | 35x55 | 2.59 |
| | | | | | | | 35x50 | 2.59 | 35x60 | 2.80 | | | | | | |
| 1000 | | | | | | | 35x55 | 2.78 | | | | | | | | |
| | | | | | | | 35x60 | 2.90 | | | | | | | | |

| Cap. (μ F) | 500Vdc | | | | | | | |
|--------------------|-----------|------|-----------|------|-----------|------|-----------|------|
| | ϕ 22 | | ϕ 25 | | ϕ 30 | | ϕ 35 | |
| 68 | 22x25 | 0.73 | | | | | | |
| 82 | 22x30 | 0.83 | | | | | | |
| 100 | 22x25 | 0.80 | | | | | | |
| | 22x30 | 0.91 | | | | | | |
| 120 | 22x30 | 0.92 | 25x30 | 1.03 | | | | |
| | 22x35 | 1.03 | | | | | | |
| 150 | 22x40 | 1.18 | 25x25 | 0.96 | | | | |
| | | | 25x30 | 1.12 | | | | |
| 180 | 22x35 | 1.13 | 25x30 | 1.13 | 30x30 | 1.28 | 35x25 | 1.20 |
| | 22x45 | 1.33 | 25x35 | 1.28 | | | | |
| 220 | 22x45 | 1.37 | 25x35 | 1.30 | 30x25 | 1.18 | 35x30 | 1.42 |
| | 22x50 | 1.50 | 25x40 | 1.45 | 30x30 | 1.36 | | |
| 270 | 22x50 | 1.55 | 25x40 | 1.49 | 30x30 | 1.38 | 35x25 | 1.29 |
| | 22x60 | 1.73 | 25x50 | 1.70 | 30x35 | 1.56 | 35x30 | 1.50 |
| 330 | 22x60 | 1.78 | 25x50 | 1.76 | 30x35 | 1.57 | 35x30 | 1.51 |
| | | | 25x55 | 1.90 | 30x40 | 1.76 | 35x35 | 1.71 |
| 390 | | | 25x55 | 1.91 | 30x45 | 1.95 | 35x35 | 1.72 |
| | | | | | | | 35x40 | 1.91 |
| 470 | | | | | 30x50 | 2.09 | 35x40 | 1.93 |
| | | | | | 30x55 | 2.26 | 35x45 | 2.13 |
| 560 | | | | | 30x55 | 2.28 | 35x45 | 2.13 |
| | | | | | 30x60 | 2.47 | 35x50 | 2.33 |
| 680 | | | | | | | 35x50 | 2.34 |
| | | | | | | | 35x55 | 2.56 |
| 820 | | | | | | | 35x60 | 2.68 |

ケースサイズ Case Size ϕ D × L(mm)

リップル電流 Ripple Current (A.r.m.s./120Hz, 105°C)

X-ON Electronics

Largest Supplier of Electrical and Electronic Components

Click to view similar products for [Aluminium Electrolytic Capacitors - Snap In](#) category:

Click to view products by [Rubycon](#) manufacturer:

Other Similar products are found below :

[NRLF103M25V35X20F](#) [EET-XB2W221LA](#) [LGQ2C681MELEDE](#) [108LMB200M2ED](#) [B41231C4229M](#) [LGM2W181MELA25](#) [MVK-25VC33-M-6.3*5](#) [ALC40F1012DH](#) [ALC40E1004EL](#) [LGZ2W151MELB40](#) [LGZ2W271MELC45](#) [LGZ2W221MELC40](#) [LGZ2W151MELC30](#) [LGZ2W121MELC25](#) [ALA8DA561EF500](#) [DCMC142T250AB2A](#) [ESMH630VSN123MA45U](#) [ESMH630VRT183MB50U](#) [E81D251VNN331MQ35U](#) [ELXS451VNN820MP25S](#) [ESMM181VSN402QA70U](#) [ELXG160VNN562MP25S](#) [ELXG160VSN562MP25S](#) [ESMH160VNN104MA80U](#) [450MXG82MEFCSN22X25](#) [EKMW421VSN391MQ45S](#) [KN821M25035*30C](#) [152EC0351](#) [152EC0343](#) [152EC0354](#) [TLS450V220M35*25](#) [KS200M821SI225*35TA-1B1ET](#) [KM450M101SI222*30TA-1A3ET](#) [400MXC220MEFCSN35X25](#) [TDA63V4700M22*50 V](#) [HP221M450N350AP4](#) [152EC0329](#) [LAO-50V103MS45PX#B](#) [152EC0566](#) [KN331M45035*30A](#) [KN821M45035*56P4](#) [450USC330MEFCSN25X50](#) [HP471M250N300AP4](#) [TLS500V100M25.4*30 V](#) [KN331M40030*30A](#) [TLS315VS470M30*30 VS](#) [KM250M471SI225*35TA-1B3Et](#) [KS400M151SI222*30TA-1A1ET](#) [152EC0337](#) [TDA35VS4700M22*30 VS](#)