

Rubycon LARGE CAN TYPE ALUMINUM ELECTROLYTIC CAPACITORS **AXF**

AXF SERIES

105°C Low profile, Snap-in Terminal Type

◆ FEATURES

- Load Life : 105°C 3000 hours, with 20mm height.
- Smaller size with higher ripple current endurance than MXF series.
- RoHS compliance.



◆ SPECIFICATIONS

Items	Characteristics																									
Category Temperature Range	-40~+105°C	-25~+105°C																								
Rated Voltage Range	10~100V.DC	160~450V.DC																								
Capacitance Tolerance	±20%(20°C,120Hz)																									
Leakage Current(MAX)	$I=3\sqrt{CV}$ (After 5 minutes application of rated voltage) I=Leakage Current(μ A) V=Rated Voltage(V) C=Rated Capacitance(μ F)																									
(tanδ) Dissipation Factor(MAX)	<table border="1"> <thead> <tr> <th>(V) Rated Voltage</th> <th>10</th> <th>16</th> <th>25</th> <th>35</th> <th>50</th> <th>63</th> <th>80</th> <th>100</th> <th>160~400</th> <th>420~450</th> <th>(20°C,120Hz)</th> </tr> </thead> <tbody> <tr> <td>tanδ</td> <td>0.55</td> <td>0.50</td> <td>0.45</td> <td>0.40</td> <td>0.35</td> <td>0.30</td> <td>0.25</td> <td>0.20</td> <td>0.15</td> <td>0.20</td> <td></td> </tr> </tbody> </table>		(V) Rated Voltage	10	16	25	35	50	63	80	100	160~400	420~450	(20°C,120Hz)	tanδ	0.55	0.50	0.45	0.40	0.35	0.30	0.25	0.20	0.15	0.20	
(V) Rated Voltage	10	16	25	35	50	63	80	100	160~400	420~450	(20°C,120Hz)															
tanδ	0.55	0.50	0.45	0.40	0.35	0.30	0.25	0.20	0.15	0.20																
Impedance Ratio(MAX)	<table border="1"> <thead> <tr> <th>(V) Rated Voltage</th> <th>10~100</th> <th>160~250</th> <th>315~450</th> <th>(120Hz)</th> </tr> </thead> <tbody> <tr> <td>Z(-25°C)/Z(20°C)</td> <td>3</td> <td>3</td> <td>8</td> <td></td> </tr> <tr> <td>Z(-40°C)/Z(20°C)</td> <td>12</td> <td>-</td> <td>-</td> <td></td> </tr> </tbody> </table>		(V) Rated Voltage	10~100	160~250	315~450	(120Hz)	Z(-25°C)/Z(20°C)	3	3	8		Z(-40°C)/Z(20°C)	12	-	-										
(V) Rated Voltage	10~100	160~250	315~450	(120Hz)																						
Z(-25°C)/Z(20°C)	3	3	8																							
Z(-40°C)/Z(20°C)	12	-	-																							
Endurance	After applying rated voltage with rated ripple current for 3000hrs at 105°C, the capacitors shall meet the following requirements. <table border="1"> <tbody> <tr> <td>Capacitance Change</td> <td>Within ±20% of the initial value.</td> </tr> <tr> <td>Dissipation Factor</td> <td>Not more than 200% of the specified value.</td> </tr> <tr> <td>Leakage Current</td> <td>Not more than the specified value.</td> </tr> </tbody> </table>		Capacitance Change	Within ±20% of the initial value.	Dissipation Factor	Not more than 200% of the specified value.	Leakage Current	Not more than the specified value.																		
Capacitance Change	Within ±20% of the initial value.																									
Dissipation Factor	Not more than 200% of the specified value.																									
Leakage Current	Not more than the specified value.																									

◆ MULTIPLIER FOR RIPPLE CURRENT

Frequency coefficient

(Hz) Frequency	60(50)	120	500	1k	10k≤
Coefficient					
10~100WV	0.90	1.00	1.05	1.10	1.15
160~250WV	0.80	1.00	1.20	1.30	1.50
315~450WV	0.80	1.00	1.20	1.25	1.40

◆ PART NUMBER

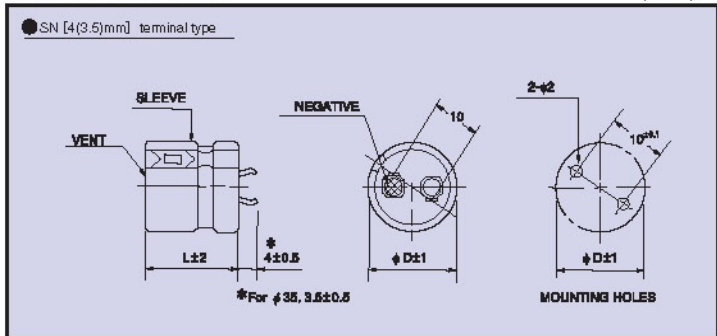
□□□ **AXF** □□□□□ □ □□□ **SN** **D×L**
 Rated Voltage Series Rated Capacitance Capacitance Tolerance Option Terminal Code Case Size

◆ Option

	Code
PET Sleeve without plate	EFC
PVC Sleeve without plate	OOE
PVC Sleeve with plate	Blank

◆ DIMENSIONS

(mm)



◆ STANDARD SIZE

Cap(μF) \ WV	10	16	25	35	50	63	80	100
330								20x20 0.60
390								20x20 0.71
470							20x20 0.65	22x20 0.78
560							20x20 0.70	25x20 0.95
680						20x20 0.83	22x20 0.84	25x20 1.09
820						22x20 0.99	25x20 1.04	30x20 1.32
1000					20x20 0.87	22x20 1.10	25x20 1.19	
1200					22x20 1.02	25x20 1.20	30x20 1.44	
1500				20x20 0.80	25x20 1.15	30x20 1.47		
1800				22x20 0.94	25x20 1.34	30x20 1.52		
2200			20x20 0.98	22x20 1.04	30x20 1.60			
2700			22x20 1.08	25x20 1.29				
3300		20x20 1.06	22x20 1.29	30x20 1.45				
3900		20x20 1.25	25x20 1.58					
4700	20x20 0.98	22x20 1.38	25x20 1.61					
5600	20x20 1.16	25x20 1.68						
6800	22x20 1.31	25x20 1.80						
8200	25x20 1.59							
10000	25x20 1.77							

Cap(μF) \ WV	160	180	200	220	250	315	350	385
39								20x20 0.35
47							20x20 0.38	20x20 0.38
56						20x20 0.41	20x20 0.40	22x20 0.42
68						22x20 0.48	22x20 0.45	25x20 0.50
82						22x20 0.51	25x20 0.54	25x20 0.52
100					20x20 0.59	25x20 0.57	25x20 0.57	30x20 0.61
120			20x20 0.63	20x20 0.60	22x20 0.65	30x20 0.65	30x20 0.65	30x20 0.64
150		20x20 0.66	20x20 0.66	22x20 0.70	25x20 0.74	30x20 0.70	35x20 0.78	35x20 0.80
180	20x20 0.69	22x20 0.80	22x20 0.80	25x20 0.80	25x20 0.77	35x20 0.85	35x20 0.85	
220	22x20 0.81	25x20 0.90	25x20 0.87	25x20 0.85	30x20 0.95	35x20 0.90		
270	25x20 0.98	25x20 0.95	25x20 0.95	30x20 1.02	30x20 1.00			
330	25x20 1.02	30x20 1.15	30x20 1.15	30x20 1.12	35x20 1.16			
390	30x20 1.25	30x20 1.20	30x20 1.20	35x20 1.25				
470	30x20 1.30	35x20 1.36	35x20 1.41					
560	35x20 1.46	35x20 1.43						
680	35x20 1.51							

Cap(μF) \ WV	400	420	450
27			20x20 0.26
33		20x20 0.30	20x20 0.30
39	20x20 0.34	20x20 0.34	22x20 0.36
47	22x20 0.39	22x20 0.38	25x20 0.41
56	22x20 0.40	25x20 0.45	25x20 0.43
68	25x20 0.49	25x20 0.48	30x20 0.50
82	30x20 0.55	30x20 0.53	30x20 0.53
100	30x20 0.60	30x20 0.58	35x20 0.61
120	35x20 0.75	35x20 0.70	
150	35x20 0.80		

↑ Ripple Current (A r.m.s./120Hz, 105°C)
 ↑ Case Size φ D×L(mm)

X-ON Electronics

Largest Supplier of Electrical and Electronic Components

Click to view similar products for [Aluminium Electrolytic Capacitors - Radial Leaded](#) category:

Click to view products by [Rubycon](#) manufacturer:

Other Similar products are found below :

[NRELS102M35V16X16C.140LLF](#) [ESRG160ETC100MD07D](#) [227RZS050M](#) [335CKR250M](#) [476CKH100MSA](#) [477CKR100M](#)
[107CKR010M](#) [107CKH063MSA](#) [RJH-25V222MI9#](#) [RJH-35V221MG5#](#) [B43827A1106M8](#) [RJH-50V221MH6#](#) [EKYA500ELL470MF11D](#)
[B41022A5686M6](#) [ESRG250ELL101MH09D](#) [EKMA160EC3101MF07D](#) [RJB-10V471MG3#](#) [ESMG160ETD221MF11D](#)
[EKZH160ETD152MJ20S](#) [RJH-35V122MJ6#](#) [EGXF630ELL621ML20S](#) [RBD-25V100KE3#N](#) [EKMA350ELL100ME07D](#)
[ESMG160ETD101ME11D](#) [ELXY100ETD102MJ20S](#) [EGXF500ELL561ML15S](#) [EKMG350ETD471MJ16S](#) [35YXA330MEFC10X12.5](#)
[RXW471M1ESA-0815](#) [ELXZ630ELL221MJ25S](#) [ERR1HM1R0D11OT](#) [LPE681M30060FVA](#) [LPL471M22030FVA](#) [HFE221M25030FVA](#)
[LKMD1401H221MF](#) [B41888G6108M000](#) [EKMA160ETD470MF07D](#) [UHW1J102MHD6](#) [EKMG500ETD221MJC5S](#) [LKMK2502W101MF](#)
[LKMD1401H181MF](#) [LKMI2502G820MF](#) [LKMJ2001J122MF](#) [LKML2501C472MF](#) [LKMJ4002C681MF](#) [450MXH330MEFCSN25X45](#)
[450MXK330MA2RFC22X50](#) [63ZLH560MEFCG412.5X30](#) [ELH2DM331O25KT](#) [ELH2DM471P30KT](#)