

PART NUMBER

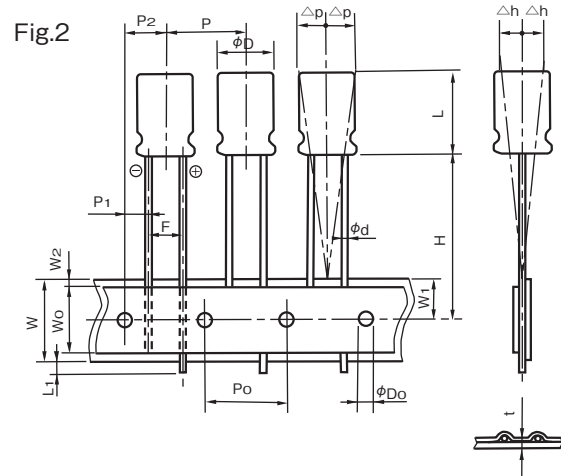
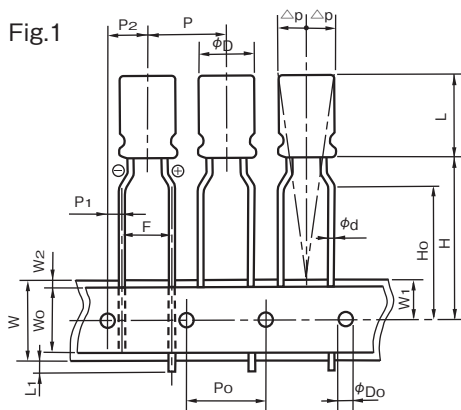
□□□		□□□□		□□□□□		□		□□□	□□	D×L																											
Rated Voltage		Series		Capacitance		Capacitance Tolerance		Option	Lead Forming	Case Size																											
↑		↑		↑		↑		↑	↑	↑																											
<table border="1" style="width:100%; border-collapse: collapse;"> <thead> <tr><th>Rated Voltage(V)</th><th>Code</th></tr> </thead> <tbody> <tr><td>6.3</td><td>6.3</td></tr> <tr><td>10</td><td>10</td></tr> <tr><td>25</td><td>25</td></tr> <tr><td>100</td><td>100</td></tr> </tbody> </table>		Rated Voltage(V)	Code	6.3	6.3	10	10	25	25	100	100	<table border="1" style="width:100%; border-collapse: collapse;"> <thead> <tr><th>Cap.(μF)</th><th>Code</th></tr> </thead> <tbody> <tr><td>0.1</td><td>OR1</td></tr> <tr><td>0.47</td><td>OR47</td></tr> <tr><td>1</td><td>1</td></tr> <tr><td>10</td><td>10</td></tr> <tr><td>1000</td><td>1000</td></tr> </tbody> </table>		Cap.(μF)	Code	0.1	OR1	0.47	OR47	1	1	10	10	1000	1000	<table border="1" style="width:100%; border-collapse: collapse;"> <thead> <tr><th>Tolerance</th><th>Code</th></tr> </thead> <tbody> <tr><td>±20%</td><td>M</td></tr> </tbody> </table>		Tolerance	Code	±20%	M	<table border="1" style="width:100%; border-collapse: collapse;"> <tbody> <tr><td>EFC etc</td></tr> </tbody> </table>	EFC etc	<table border="1" style="width:100%; border-collapse: collapse;"> <tbody> <tr><td>TA, KC, CA etc</td></tr> </tbody> </table>	TA, KC, CA etc	<table border="1" style="width:100%; border-collapse: collapse;"> <tbody> <tr><td>5×11 10×12.5 12.5×40</td></tr> </tbody> </table>	5×11 10×12.5 12.5×40
Rated Voltage(V)	Code																																				
6.3	6.3																																				
10	10																																				
25	25																																				
100	100																																				
Cap.(μF)	Code																																				
0.1	OR1																																				
0.47	OR47																																				
1	1																																				
10	10																																				
1000	1000																																				
Tolerance	Code																																				
±20%	M																																				
EFC etc																																					
TA, KC, CA etc																																					
5×11 10×12.5 12.5×40																																					
Please indicate the above information, when you inquire.																																					
例): Example																																					
*Long lead type																																					
*Taping type																																					
		50		PX		2R2		M	EFC	5×11																											
		35		ZLJ		220		M	TA	8×16																											

※Showin in P20,21,24
◆OPTION

	Code
PET Sleeve	EFC
PVC Sleeve	Blank

※ZLK,ZLJ,ZT,BXF,RX30,AX,YXJ series are all pet sleeve without "EFC" code.
PART NUMBER

□□□		□□□□		□□□□□		□		□□□	D×L																					
Rated Voltage		Series		Capacitance		Capacitance Tolerance		Option	Case Size																					
↑		↑		↑		↑		↑	↑																					
<table border="1" style="width:100%; border-collapse: collapse;"> <thead> <tr><th>Rated Voltage(V)</th><th>Code</th></tr> </thead> <tbody> <tr><td>6.3</td><td>6.3</td></tr> <tr><td>10</td><td>10</td></tr> <tr><td>25</td><td>25</td></tr> <tr><td>100</td><td>100</td></tr> </tbody> </table>		Rated Voltage(V)	Code	6.3	6.3	10	10	25	25	100	100	<table border="1" style="width:100%; border-collapse: collapse;"> <thead> <tr><th>Cap.(μF)</th><th>Code</th></tr> </thead> <tbody> <tr><td>4.7</td><td>4R7</td></tr> <tr><td>220</td><td>220</td></tr> <tr><td>3300</td><td>3300</td></tr> </tbody> </table>		Cap.(μF)	Code	4.7	4R7	220	220	3300	3300	<table border="1" style="width:100%; border-collapse: collapse;"> <thead> <tr><th>Tolerance</th><th>Code</th></tr> </thead> <tbody> <tr><td>±20%</td><td>M</td></tr> </tbody> </table>		Tolerance	Code	±20%	M		<table border="1" style="width:100%; border-collapse: collapse;"> <tbody> <tr><td>4×6.1 8×10.5 16×21.5</td></tr> </tbody> </table>	4×6.1 8×10.5 16×21.5
Rated Voltage(V)	Code																													
6.3	6.3																													
10	10																													
25	25																													
100	100																													
Cap.(μF)	Code																													
4.7	4R7																													
220	220																													
3300	3300																													
Tolerance	Code																													
±20%	M																													
4×6.1 8×10.5 16×21.5																														
Please indicate the above information, when you inquire.																														
例): Example																														
35		TZV		330		M			10×10.5																					

◆ TAPING SPECIFICATIONS
◆ DIMENSIONS

◆ SPECIFICATION TABLE

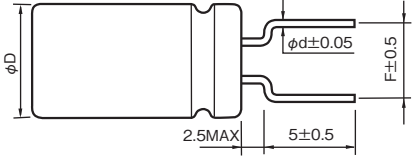
(mm)

Items	Code	5mm Height		7mm or 7.5mm Height				Tolerance
		φ4~φ8		φ4~φ6.3	φ4~φ6.3	φ8		
Taping code		T5	TZ	T5	TZ	TA	T7	
Applicable Fig. No.		Fig.2	Fig.1	Fig.2	Fig.1	Fig.1	Fig.2	
Dia. of lead	φd	0.45		0.45				±0.05
Height of body	L	6.5		8.5				MAX
Distance from center to center of next body	P	12.7		12.7				±1.0
Distance from center to center of next driving hole	P ₀	12.7		12.7				±0.2
Distance between center of driving hole and lead	P ₁	5.1	3.85	5.1	3.85	4.6	±0.5	
Distance between center of driving hole and body	P ₂	6.35		6.35				±1.0
Pitch of lead	F	2.5	5.0	2.5	5.0	3.5	+0.8 -0.2	
Width of mounting tape	W	18.0		18.0				±0.3
Width of adhesive tape	W ₀	5.0		5.0				MIN
Distance between center of driving hole and mounting tape edge	W ₁	9.0		9.0				±0.5
Max. allowable distance between mounting and adhesive tape edges	W ₂	1.5		1.5				MAX
Distance between center of driving hole and bottom of body	H	17.5		17.5		20.0		±0.75
Distance between center of driving hole and clinch part of lead	H ₀	—	16.0	—	16.0		—	±0.5
End of lead	L ₁	0.5		0.5				MAX
Dia. of driving hole	φD ₀	4.0		4.0				±0.2
Off alignment of body top	Δh	1.0		1.0				MAX
Off alignment of body top	Δp	1.0		1.0				MAX
Sum of thickness for mounting and adhesive tape without lead dia	t	0.6		0.6				±0.3
Quantity (pcs)		2000 (φ8:1000)						

◆ LEAD CUTTING FORMING SPECIFICATIONS

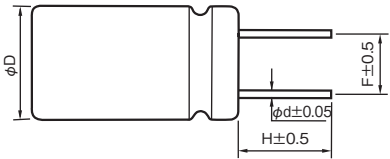
Rubycon provides lead-formed and lead-cut products to facilitate mounting on printed circuit boards, as well as products with leads specially processed (kink formed) for self supporting insertions to printed circuit boards.

•Lead forming
($\phi 5 \sim \phi 8$)
Lead forming code : FA



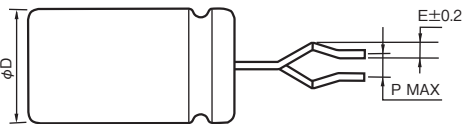
(mm)			
ϕD	5	6.3	8
ϕd	0.5		0.6
F	5.0		

•Lead cutting
($\phi 5 \sim \phi 18$)
Lead cutting code : CA
CC
CE

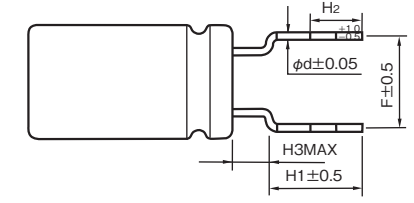


(mm)								
ϕD	5	6.3	8	10	12.5	14.5	16	18
H	5.0 (CA)							
	4.0 (CC)							
	3.5 (CE)							
ϕd	0.5		0.6		0.8			
F	2.0	2.5	3.5	5.0	7.5			

•Kinked lead forming
($\phi 5 \sim \phi 8$)
Kinked lead forming code : KC

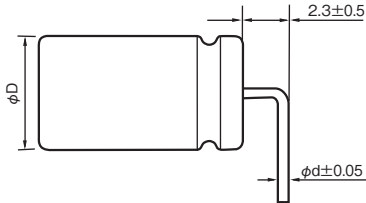


•Kinked lead cutting
($\phi 10 \sim \phi 18$)
Kinked lead cutting code : KC

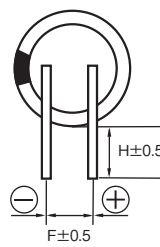


(mm)								
ϕD	5	6.3	8	10	12.5	14.5	16	18
H1	4.5							
H2	2.8							
H3	2.5		—					
F	5.0				7.5			
P	1.0							
E	1.2			1.3				
ϕd	0.5		0.6		0.8			

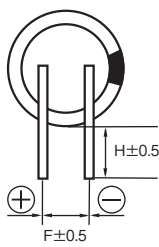
•($\phi 10 \sim \phi 18$) / Low profile with horizontal mounting



Type A



Type B



(mm)								
ϕD	10, 12.5				14.5, 16, 18			
Code	RI	RK	RX	SG	RI	RK	RX	SG
ϕd	0.6				0.8			
F	5.0				7.5			
H	4.0		3.5		4.0		3.5	
Type	A	B	A	B	A	B	A	B



ALUMINUM ELECTROLYTIC CAPACITORS

PACKAGING SPECIFICATION

◆ LEAD WIRE TYPE

SIZE		LONG LEAD				LEAD FORMING				TAPING	
		PACKAGE QUANTITY		STANDARD SHIPPING CARTON QUANTITY		PACKAGE QUANTITY		STANDARD SHIPPING CARTON QUANTITY		PACKAGE QUANTITY	STANDARD SHIPPING CARTON QUANTITY
		BULK PACKAGE	ALIGNED PACKAGE	BULK PACKAGE	ALIGNED PACKAGE	BULK PACKAGE	ALIGNED PACKAGE	BULK PACKAGE	ALIGNED PACKAGE		
φ4	4x5	5,000	—	50,000	—	5,000	—	50,000	—	2,000	20,000
	4x7	5,000	—	50,000	—	5,000	—	50,000	—	2,000	20,000
φ5	5x5	5,000	—	50,000	—	5,000	—	50,000	—	2,000	20,000
	5x7	5,000	—	50,000	—	5,000	—	50,000	—	2,000	20,000
φ6.3	5x11	3,000	—	30,000	—	5,000	—	50,000	—	2,000	20,000
	6.3x5	3,000	—	30,000	—	5,000	—	50,000	—	2,000	20,000
	6.3x7	3,000	—	30,000	—	5,000	—	50,000	—	2,000	20,000
	6.3x9	2,000	—	12,000	—	3,000	—	18,000	—	2,000	10,000
	6.3x11	2,000	—	12,000	—	3,000	—	18,000	—	2,000	10,000
	6.3x15	2,000	—	12,000	—	3,000	—	18,000	—	2,000	10,000
	6.3x25	1,000	—	6,000	—	1,000	—	6,000	—	—	—
	6.3x30	1,000	—	6,000	—	1,000	—	6,000	—	—	—
	6.3x40	1,000	—	6,000	—	1,000	—	6,000	—	—	—
	6.3x50	1,000	—	6,000	—	1,000	—	6,000	—	—	—
φ8	8x5	3,000	—	30,000	—	5,000	—	50,000	—	1,000	10,000
	8x7	3,000	—	18,000	—	5,000	—	30,000	—	1,000	10,000
	8x7.5	2,000	—	20,000	—	2,000	—	20,000	—	1,000	10,000
	8x9	2,000	—	12,000	—	2,000	—	12,000	—	1,000	10,000
	8x10.8	2,000	—	12,000	—	2,000	—	12,000	—	1,000	10,000
	8x11.5	2,000	—	12,000	—	2,000	—	12,000	—	1,000	10,000
	8x16	1,000	—	6,000	—	1,000	—	6,000	—	1,000	4,000
	8x20	1,000	—	6,000	—	1,000	—	6,000	—	1,000	4,000
	8x23	1,000	—	6,000	—	1,000	—	6,000	—	1,000	4,000
	8x25	—	500	—	2,000	—	500	—	2,000	—	—
	8x30	—	500	—	2,000	—	500	—	2,000	—	—
	8x35	—	500	—	2,000	—	500	—	2,000	—	—
	8x40	—	500	—	2,000	—	500	—	2,000	—	—
	8x45	—	500	—	2,000	—	500	—	2,000	—	—
	8x50	—	500	—	2,000	—	500	—	2,000	—	—
	8x55	—	500	—	1,500	—	500	—	2,000	—	—
8x60	—	500	—	1,500	—	500	—	2,000	—	—	
φ10	10x9	1,000	—	6,000	—	1,000	—	6,000	—	500	5,000
	10x10	1,000	—	6,000	—	1,000	—	6,000	—	500	5,000
	10x12.5	1,000	—	6,000	—	1,000	—	6,000	—	500	5,000
	10x16	1,000	—	6,000	—	1,000	—	6,000	—	500	5,000
	10x20	1,000	—	4,000	—	1,000	—	4,000	—	500	5,000
	10x23	1,000	—	4,000	—	1,000	—	4,000	—	500	5,000
	10x25	1,000	500	4,000	2,000	1,000	500	4,000	2,000	500	5,000
	10x28	1,000	500	4,000	2,000	1,000	500	4,000	2,000	500	5,000
	10x30	—	500	—	2,000	—	500	—	2,000	—	—
	10x35	—	500	—	2,000	—	500	—	2,000	—	—
	10x40	—	500	—	2,000	—	500	—	2,000	—	—
	10x45	—	500	—	2,000	—	500	—	2,000	—	—
10x50	—	500	—	2,000	—	500	—	2,000	—	—	
10x55	—	500	—	1,500	—	500	—	2,000	—	—	
10x60	—	500	—	1,500	—	500	—	2,000	—	—	
φ12.5	12.5x16	1,000	—	4,000	—	1,000	500	4,000	2,500	500	2,000
	12.5x20	1,000	500	4,000	2,500	1,000	500	4,000	2,500	500	2,000
	12.5x25	1,000	500	4,000	2,500	1,000	500	4,000	2,500	500	2,000
	12.5x30	600	500	2,400	2,000	600	500	2,400	2,000	500	2,000
	12.5x35	600	500	2,400	2,000	600	500	2,400	2,000	500	2,000
	12.5x40	600	500	2,400	2,000	600	500	2,400	2,000	500	2,000
	12.5x45	—	500	—	2,000	—	500	—	2,000	—	—
	12.5x50	—	500	—	2,000	—	500	—	2,000	—	—
	12.5x55	—	500	—	1,500	—	500	—	1,500	—	—
12.5x60	—	500	—	1,500	—	500	—	1,500	—	—	
φ14.5	14.5x20	—	500	—	1,500	—	500	—	1,500	—	—
	14.5x25	—	500	—	1,500	—	500	—	1,500	—	—
	14.5x30	—	500	—	1,500	—	500	—	1,500	—	—
	14.5x31.5	—	500	—	1,500	—	500	—	1,500	—	—
	14.5x35	—	500	—	1,500	—	500	—	1,500	—	—
	14.5x40	—	500	—	1,500	—	500	—	1,500	—	—
φ16	14.5x45	—	500	—	1,500	—	500	—	1,500	—	—
	14.5x50	—	500	—	1,500	—	500	—	1,500	—	—
	16x16	600	—	2,400	—	600	400	2,400	2,000	250	1,500
	16x20	600	200	2,400	1,000	600	400/200	2,400	2,000/1,000	250	1,500
	16x25	600	200	2,400	1,000	600	400/200	2,400	2,000/1,000	250	1,500
	16x30	—	200	—	1,000	—	200	—	1,000	250	1,500
	16x31.5	—	200	—	1,000	—	200	—	1,000	250	1,500
	16x35	—	200	—	1,000	—	200	—	1,000	250	1,000
	16x35.5	—	200	—	1,000	—	200	—	1,000	250	1,000
	16x40	—	200	—	1,000	—	200	—	1,000	250	1,000
φ18	16x45	—	200	—	1,000	—	200	—	1,000	—	—
	16x50	—	200	—	1,000	—	200	—	1,000	—	—
	18x16	500	—	2,000	—	—	200	—	1,000	250	1,500
	18x20	500	200	2,000	1,000	—	200	—	1,000	250	1,500
	18x25	500	200	2,000	1,000	—	200	—	1,000	250	1,500
	18x30	—	200	—	1,000	—	200	—	1,000	250	1,000
	18x31.5	—	200	—	1,000	—	200	—	1,000	250	1,000
	18x35	—	200	—	1,000	—	200	—	1,000	250	1,000
	18x35.5	—	200	—	1,000	—	200	—	1,000	250	1,000
18x40	—	200	—	1,000	—	200	—	1,000	250	1,000	
18x45	—	200	—	1,000	—	200	—	1,000	—	—	
18x50	—	200	—	1,000	—	200	—	1,000	—	—	

There are some differences between actual package quantity and above list.

For the sizes stated both bulk and aligned package, aligned package is standard for exporting carton.

X-ON Electronics

Largest Supplier of Electrical and Electronic Components

Click to view similar products for [Aluminum Electrolytic Capacitors - Leaded](#) category:

Click to view products by [Rubycon](#) manufacturer:

Other Similar products are found below :

[LXY50VB4.7M-5X11](#) [MAL203125221E3](#) [MAL204216159E3](#) [ESMG101ETD100MF11S](#) [RBC-25V-10UF-4X7](#) [RE3-35V222MJ6#](#) [RFO-100V471MJ7P#](#) [B41041A2687M8](#) [B41041A7226M8](#) [B41044A7157M6](#) [EKRG250ELL100MD07D](#) [EKXG201EC3101ML20S](#)
[EKXG351ETD6R8MJ16S](#) [EKZM160ETD471MHB5D](#) [EPA-201ELL151MM25S](#) [NCD681K10KVY5PF](#) [NRLF103M25V35X20F](#)
[KM4700/16](#) [KME50VB100M-8X11.5](#) [RXJ222M1EBK-1625](#) [SG220M1CSA-0407](#) [ES5107M016AE1DA](#) [ESX472M16B](#) [MAL211929479E3](#)
[40D506F050DF5A](#) [TE1202E](#) [36DA273F050BB2A](#) [KME25VB100M-6.3X11](#) [511D336M250EK5D](#) [511D337M035CG4D](#)
[515D477M035CG8PE3](#) [052687X](#) [EKMA500ELL4R7ME07D](#) [EKRG100ETC221MF09D](#) [NRE-S560M16V6.3X7TBSTF](#)
[ERZA630VHN182UP54N](#) [MAL214099813E3](#) [MAL211990518E3](#) [MAL204281229E3](#) [NEV680M35EF](#) [686KXM050M](#) [ERS1VM222L30OT](#)
[EGW2GM150W16OT](#) [EGS2GM6R8G12OC](#) [EHS2GM220W20OT](#) [ERF1VM222L30OT](#) [ERF1KM151G20OT](#) [EKZE500ELL101MHB5D](#)
[EKMM251VSN221MP25S](#) [RGA221M1HBK-1016G](#)