

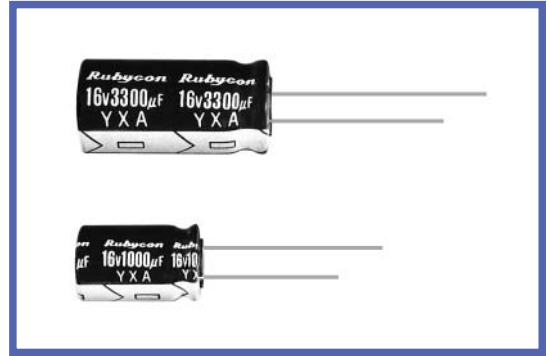


MINIATURE ALUMINUM ELECTROLYTIC CAPACITORS

YXA

YXA SERIES

Previous Series



105°C Standard

◆FEATURES

- RoHS compliance.

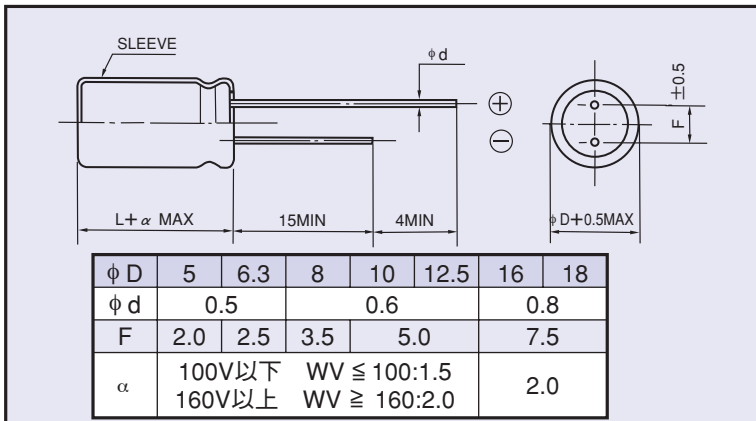
◆SPECIFICATIONS

| Items | 特 性 Characteristics | | | | | | | | | | |
|---|--|---|--|-----------|-----------------|---------|------|----------|------|------------|------|
| Category Temperature Range | -55~+105°C | -40~+105°C | -25~+105°C | | | | | | | | |
| Rated Voltage Range | 6.3~100V.DC | 160~250V.DC | 350~450V.DC | | | | | | | | |
| Capacitance Tolerance | ±20% (20°C, 120Hz) | | | | | | | | | | |
| Leakage Current(MAX) | 6.3~100V.DC | | 160~450V.DC | | | | | | | | |
| | I=0.01CV or 3 µA whichever is greater. (After 2 minutes application of rated voltage) | | CV ≤ 1000 | | | | | | | | |
| | | | CV > 1000 | | | | | | | | |
| | | I=0.1CV+40 µA (1minute) | I=0.04CV+100 µA (1minute) | | | | | | | | |
| | | I=0.03CV+15 µA (5minutes) | I=0.02CV+25 µA (5minutes) | | | | | | | | |
| I=Leakage Current(µA) C=Rated Capacitance(µF) V=Rated Voltage(V) | | | | | | | | | | | |
| (tanδ) Dissipation Factor(MAX) | Rated Voltage (V) | 6.3 10 16 25 35 50 63 100 160 200 250 350 400 450 | (20°C, 120Hz) | | | | | | | | |
| | tan δ | 0.26 0.22 0.18 0.16 0.14 0.12 0.10 0.08 0.20 0.20 0.20 0.24 0.24 0.24 | | | | | | | | | |
| When rated capacitance is over 1000 µF, tan δ shall be added 0.02 to the listed value with increase of every 1000 µF. | | | | | | | | | | | |
| Endurance | After life test with rated ripple current at conditions stated in the table below, the capacitors shall meet the following requirements. | | | | | | | | | | |
| | Capacitance Change | Within ±25% of the initial value. | <table border="1"> <tr> <th>Case Size</th> <th>Life Time (hrs)</th> </tr> <tr> <td>φ D ≤ 8</td> <td>1000</td> </tr> <tr> <td>φ D = 10</td> <td>2000</td> </tr> <tr> <td>φ D ≥ 12.5</td> <td>3000</td> </tr> </table> | Case Size | Life Time (hrs) | φ D ≤ 8 | 1000 | φ D = 10 | 2000 | φ D ≥ 12.5 | 3000 |
| | Case Size | Life Time (hrs) | | | | | | | | | |
| φ D ≤ 8 | 1000 | | | | | | | | | | |
| φ D = 10 | 2000 | | | | | | | | | | |
| φ D ≥ 12.5 | 3000 | | | | | | | | | | |
| Dissipation Factor | Not more than 200% of the specified value. | | | | | | | | | | |
| Leakage Current | Not more than the specified value. | | | | | | | | | | |
| Low Temperature Stability Impedance Ratio(MAX) | Rated Voltage (V) | 6.3 10 16 25 35 50 63 100 160 200 250 350 400 450 | (120Hz) | | | | | | | | |
| | Z(-25°C)/Z(20°C) | 4 3 2 2 2 2 2 2 3 3 3 6 6 6 | | | | | | | | | |
| | Z(-40°C)/Z(20°C) | 8 6 4 4 3 3 3 3 - - - - - | | | | | | | | | |

◆DIMENSIONS

(mm)

◆MULTIPLIER FOR RIPPLE CURRENT



Frequency coefficient

| Frequency (Hz) | | 60(50) | 120 | 500 | 1k | 10k ≤ |
|----------------|---------------|--------|------|------|------|-------|
| Coefficient | 0.1~1 µF | 0.50 | 1.00 | 1.20 | 1.30 | 1.50 |
| | 2.2~4.7 µF | 0.65 | 1.00 | 1.20 | 1.30 | 1.50 |
| | 10~47 µF | 0.80 | 1.00 | 1.20 | 1.30 | 1.50 |
| | 100~1000 µF | 0.80 | 1.00 | 1.10 | 1.15 | 1.20 |
| | 2200~22000 µF | 0.80 | 1.00 | 1.05 | 1.10 | 1.15 |

◆PART NUMBER

□□□
YXA
□□□□□
□
□□□
□□
DXL
 Rated Voltage Series Rated Capacitance Capacitance Tolerance Option Lead Forming Case Size

X-ON Electronics

Largest Supplier of Electrical and Electronic Components

Click to view similar products for [Aluminium Electrolytic Capacitors - Radial Leaded](#) category:

Click to view products by [Rubycon](#) manufacturer:

Other Similar products are found below :

[LXY50VB4.7M-5X11](#) [RFO-100V471MJ7P#](#) [ECE-A1EGE220](#) [B41041A2687M8](#) [B41041A7226M8](#) [B41044A7157M6](#)
[EKXG201EC3101ML20S](#) [EKZM160ETD471MHB5D](#) [NCD681K10KVY5PF](#) [NEV1000M25EF-BULK](#) [NEV100M35DC](#) [NEV100M63DE](#)
[NEV220M25DD-BULK](#) [NEV.33M100AA](#) [NEV4700M50HB](#) [NEV.47M100AA](#) [NEVH1.0M250AB](#) [NEVH3.3M250BB](#) [NEVH3.3M450CC](#)
[KM4700/16](#) [KME50VB100M-8X11.5](#) [SG220M1CSA-0407](#) [ES5107M016AE1DA](#) [ESMG160ETD102MJ16S](#) [ESX472M16B](#) [227RZS050M](#)
[476CKH100MSA](#) [477RZS050M](#) [UVX1V101KPA1FA](#) [UVX1V222MHA1CA](#) [KME25VB100M-6.3X11](#) [VTL100S10](#) [VTL470S10](#)
[VTL470S16A](#) [511D336M250EK5D](#) [052687X](#) [ECE-A1CF471](#) [EKMA500ELL4R7ME07D](#) [NRE-S560M16V6.3X7TBSTF](#) [RGA221M1CTA-](#)
[0611G](#) [ERZA630VHN182UP54N](#) [UPL1A331MPH](#) [SK035M0100AZS-0611](#) [MAL214658821E3](#) [NEV1000M6.3DE](#) [NEV100M16CB](#)
[NEV100M50DD-BULK](#) [NEV2200M16FF](#) [NEV220M50EE](#) [NEV2.2M50AA](#)