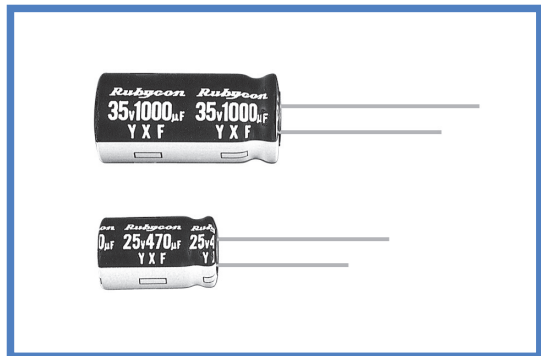


YXF 系列  
SERIES

105°C长寿命 低阻抗品  
105°C Long Life, Low Impedance

◆特 长 / FEATURES

- 105°C、4000~10000小时品。  
Load Life : 105°C 4000~10000 hours.
- 高频阻抗规格设定。  
Prescribe Impedance value at 100 kHz.
- RoHS指令对应品  
RoHS compliance.



◆规格表 / SPECIFICATIONS

| 项 目 Items   | 特 性 Characteristics   |                               |   |                   |                      |      |      |           |               |                              |  |                  |      |      |                          |   |         |      |      |      |  |                  |      |       |   |   |   |   |   |   |  |
|---|---|-------------------------------|---|-------------------|----------------------|------|------|-----------|---------------|------------------------------|--|------------------|------|------|--------------------------|---|---------|------|------|------|--|------------------|------|-------|---|---|---|---|---|---|--|
| 工作温度范围<br>Category Temperature Range                                  | -40~+105°C  |                               |   |                   |                      |      |      |           |               |                              |  |                  |      |      |                          |   |         |      |      |      |  |                  |      |       |   |   |   |   |   |   |  |
| 额定电压范围<br>Rated Voltage Range   | 6.3~100Vdc  |                               |   |                   |                      |      |      |           |               |                              |  |                  |      |      |                          |   |         |      |      |      |  |                  |      |       |   |   |   |   |   |   |  |
| 静电容量允许差<br>Capacitance Tolerance                                      | ±20% (20°C, 120Hz)  |                               |   |                   |                      |      |      |           |               |                              |  |                  |      |      |                          |   |         |      |      |      |  |                  |      |       |   |   |   |   |   |   |  |
| 漏 电 流<br>Leakage Current(MAX)   | <p>小于I=0.01CV和3µA中的较大值 (施加额定电压2分钟后)<br/>I=0.01CV or 3µA whichever is greater. (After 2 minutes)</p> <p>I=漏电流 (µA)      C=静电容量 (µF)      V=额定电压 (Vdc)<br/>Leakage Current      Capacitance      Rated Voltage</p>  |                               |   |                   |                      |      |      |           |               |                              |  |                  |      |      |                          |   |         |      |      |      |  |                  |      |       |   |   |   |   |   |   |  |
| 损失角正切值 (tan δ)<br>Dissipation Factor(MAX)                             | <table border="1"> <tr> <td>额定电压 (Vdc)<br/>Rated Voltage</td> <td>6.3</td> <td>10</td> <td>16</td> <td>25</td> <td>35</td> <td>50</td> <td>63</td> <td>100</td> <td>(20°C, 120Hz)</td> </tr> <tr> <td>tan δ</td> <td>0.22</td> <td>0.19</td> <td>0.16</td> <td>0.14</td> <td>0.12</td> <td>0.10</td> <td>0.09</td> <td>0.08</td> <td></td> </tr> </table> <p>对于静电容量超过1000µF的产品, 其静电容量每增加1000µF, 则损失角正切值在上表值的基础上加上0.02。<br/>When capacitance is over 1000µF, tan δ shall be added 0.02 to the listed value with increase of every 1000µF.</p>  | 额定电压 (Vdc)<br>Rated Voltage   | 6.3   | 10                | 16                   | 25   | 35   | 50        | 63            | 100                          | (20°C, 120Hz)  | tan δ            | 0.22 | 0.19 | 0.16                     | 0.14  | 0.12    | 0.10 | 0.09 | 0.08 |  |                  |      |       |   |   |   |   |   |   |  |
| 额定电压 (Vdc)<br>Rated Voltage   | 6.3   | 10                            | 16  | 25                | 35                   | 50   | 63   | 100       | (20°C, 120Hz) |                              |  |                  |      |      |                          |   |         |      |      |      |  |                  |      |       |   |   |   |   |   |   |  |
| tan δ   | 0.22  | 0.19                          | 0.16  | 0.14              | 0.12                 | 0.10 | 0.09 | 0.08      |               |                              |  |                  |      |      |                          |   |         |      |      |      |  |                  |      |       |   |   |   |   |   |   |  |
| 耐 久 性<br>Endurance  | <p>在105°C环境中, 不超过额定电压的范围内叠加额定纹波电流, 连续加载右表时间后, 满足以下各项要求。<br/>After applying rated voltage with rated ripple current for specified time at 105°C, the capacitors shall meet the following requirements.</p> <table border="1"> <tr> <td rowspan="2">静电容量变化率<br/>Capacitance Change</td> <td>初期值的±25%以内<br/>Within ±25% of the initial value.</td> <td rowspan="2">铝壳尺寸<br/>Case Size</td> <td colspan="2">时间(hrs)<br/>Life Time</td> </tr> <tr> <td></td> <td>6.3~10Vdc</td> <td>16~100Vdc</td> </tr> <tr> <td>损失角正切值<br/>Dissipation Factor</td> <td>规格值的200%以下<br/>Not more than 200% of the specified value.</td> <td>φD≤6.3</td> <td>4000</td> <td>5000</td> </tr> <tr> <td>漏 电 流<br/>Leakage Current</td> <td>规格值以下<br/>Not more than the specified value.</td> <td>φD=8,10</td> <td>6000</td> <td>7000</td> </tr> <tr> <td></td> <td></td> <td>φD=12.5</td> <td>8000</td> <td>10000</td> </tr> </table> | 静电容量变化率<br>Capacitance Change | 初期值的±25%以内<br>Within ±25% of the initial value. | 铝壳尺寸<br>Case Size | 时间(hrs)<br>Life Time |      |      | 6.3~10Vdc | 16~100Vdc     | 损失角正切值<br>Dissipation Factor | 规格值的200%以下<br>Not more than 200% of the specified value. | φD≤6.3           | 4000 | 5000 | 漏 电 流<br>Leakage Current | 规格值以下<br>Not more than the specified value. | φD=8,10 | 6000 | 7000 |      |  | φD=12.5          | 8000 | 10000 |   |   |   |   |   |   |  |
| 静电容量变化率<br>Capacitance Change   | 初期值的±25%以内<br>Within ±25% of the initial value.   |                               | 铝壳尺寸<br>Case Size                               |                   | 时间(hrs)<br>Life Time |      |      |           |               |                              |  |                  |      |      |                          |   |         |      |      |      |  |                  |      |       |   |   |   |   |   |   |  |
|   |   | 6.3~10Vdc                     |   | 16~100Vdc         |                      |      |      |           |               |                              |  |                  |      |      |                          |   |         |      |      |      |  |                  |      |       |   |   |   |   |   |   |  |
| 损失角正切值<br>Dissipation Factor  | 规格值的200%以下<br>Not more than 200% of the specified value.  | φD≤6.3                        | 4000  | 5000              |                      |      |      |           |               |                              |  |                  |      |      |                          |   |         |      |      |      |  |                  |      |       |   |   |   |   |   |   |  |
| 漏 电 流<br>Leakage Current  | 规格值以下<br>Not more than the specified value.   | φD=8,10                       | 6000  | 7000              |                      |      |      |           |               |                              |  |                  |      |      |                          |   |         |      |      |      |  |                  |      |       |   |   |   |   |   |   |  |
|   |   | φD=12.5                       | 8000  | 10000             |                      |      |      |           |               |                              |  |                  |      |      |                          |   |         |      |      |      |  |                  |      |       |   |   |   |   |   |   |  |
| 低 温 特 性<br>Low Temperature Stability<br>(阻抗比)<br>Impedance Ratio(MAX) | <table border="1"> <tr> <td>额定电压 (Vdc)<br/>Rated Voltage</td> <td>6.3</td> <td>10</td> <td>16</td> <td>25</td> <td>35</td> <td>50</td> <td>63</td> <td>100</td> <td>(120Hz)</td> </tr> <tr> <td>Z(-25°C)/Z(20°C)</td> <td>4</td> <td>3</td> <td>2</td> <td>2</td> <td>2</td> <td>2</td> <td>2</td> <td>2</td> <td></td> </tr> <tr> <td>Z(-40°C)/Z(20°C)</td> <td>8</td> <td>6</td> <td>4</td> <td>3</td> <td>3</td> <td>3</td> <td>3</td> <td>3</td> <td></td> </tr> </table>   | 额定电压 (Vdc)<br>Rated Voltage   | 6.3   | 10                | 16                   | 25   | 35   | 50        | 63            | 100                          | (120Hz)  | Z(-25°C)/Z(20°C) | 4    | 3    | 2                        | 2   | 2       | 2    | 2    | 2    |  | Z(-40°C)/Z(20°C) | 8    | 6     | 4 | 3 | 3 | 3 | 3 | 3 |  |
| 额定电压 (Vdc)<br>Rated Voltage   | 6.3   | 10                            | 16  | 25                | 35                   | 50   | 63   | 100       | (120Hz)       |                              |  |                  |      |      |                          |   |         |      |      |      |  |                  |      |       |   |   |   |   |   |   |  |
| Z(-25°C)/Z(20°C)  | 4   | 3                             | 2   | 2                 | 2                    | 2    | 2    | 2         |               |                              |  |                  |      |      |                          |   |         |      |      |      |  |                  |      |       |   |   |   |   |   |   |  |
| Z(-40°C)/Z(20°C)  | 8   | 6                             | 4   | 3                 | 3                    | 3    | 3    | 3         |               |                              |  |                  |      |      |                          |   |         |      |      |      |  |                  |      |       |   |   |   |   |   |   |  |

◆纹波电流修正系数 / MULTIPLIER FOR RIPPLE CURRENT

| 频率 (Hz)<br>Frequency | 120  | 1k   | 10k  | 100k ≤ |
|----------------------|------|------|------|--------|
| 1µF                  | 0.35 | 0.60 | 0.80 | 1.00   |
| 2.2~10µF             | 0.42 | 0.60 | 0.80 | 1.00   |
| 22~33µF              | 0.55 | 0.75 | 0.90 | 1.00   |
| 47~330µF             | 0.70 | 0.85 | 0.95 | 1.00   |
| 470~1000µF           | 0.75 | 0.90 | 0.98 | 1.00   |
| 2200~15000µF         | 0.80 | 0.95 | 1.00 | 1.00   |

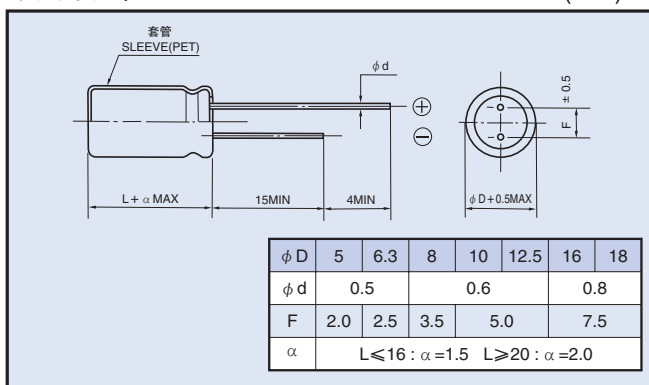
◆副记号 / OPTION

| 副记号 Code         | 记号 Code |
|------------------|---------|
| PET套管 PET Sleeve | EFC     |

◆产品型号体系 / PART NUMBER

|                       |                |                     |                                  |               |                        |                   |
|-----------------------|----------------|---------------------|----------------------------------|---------------|------------------------|-------------------|
| □□□                   | YXF            | □□□□□               | M                                | □□□           | □□                     | D×L               |
| 额定电压<br>Rated Voltage | 系列名称<br>Series | 静电容量<br>Capacitance | 静电容量允许差<br>Capacitance Tolerance | 副记号<br>Option | 引线加工记号<br>Lead Forming | 铝壳尺寸<br>Case Size |

◆尺寸图 / DIMENSIONS



### ◆标准品一览表 / STANDARD SIZE

| 额定电压<br>Rated Voltage<br>(Vdc) | 静电容量<br>Capacitance (μF) | 外形尺寸<br>Size<br>φ D×L(mm) | 额定纹波电流<br>Rated ripple current<br>(mA r.m.s./105°C, 100kHz) | 阻抗 (Ω MAX)<br>Impedance |               |
|--------------------------------|--------------------------|---------------------------|---|-------------------------|---------------|
|                                |                          |                           |   | 20°C, 100kHz            | -10°C, 100kHz |
| 6.3                            | 100                      | 5×11                      | 150   | 0.90                    | 3.6           |
|                                | 220                      | 6.3×11                    | 250   | 0.40                    | 1.6           |
|                                | 330                      | 6.3×11                    | 250   | 0.40                    | 1.6           |
|                                | 470                      | 8×11.5                    | 400   | 0.25                    | 1.0           |
|                                | 1000                     | 10×12.5                   | 580   | 0.16                    | 0.65          |
|                                | 2200                     | 12.5×20                   | 1300  | 0.062                   | 0.21          |
|                                | 3300                     | 12.5×20                   | 1300  | 0.062                   | 0.21          |
|                                | 4700                     | 16×25                     | 1850  | 0.034                   | 0.096         |
|                                | 6800                     | 16×25                     | 1850  | 0.034                   | 0.096         |
|                                | 10000                    | 16×31.5                   | 2000  | 0.029                   | 0.087         |
| 15000                          | 18×35.5                  | 2200                      | 0.025   | 0.058                   |               |
| 10                             | 100                      | 5×11                      | 150   | 0.90                    | 3.6           |
|                                | 220                      | 6.3×11                    | 250   | 0.40                    | 1.6           |
|                                | 330                      | 8×11.5                    | 400   | 0.25                    | 1.0           |
|                                | 470                      | 8×11.5                    | 400   | 0.25                    | 1.0           |
|                                | 1000                     | 10×16                     | 770   | 0.12                    | 0.46          |
|                                | 2200                     | 12.5×20                   | 1300  | 0.062                   | 0.21          |
|                                | 3300                     | 12.5×25                   | 1650  | 0.048                   | 0.16          |
|                                | 4700                     | 16×25                     | 1850  | 0.034                   | 0.096         |
|                                | 6800                     | 16×31.5                   | 2000  | 0.029                   | 0.087         |
|                                | 10000                    | 18×35.5                   | 2200  | 0.025                   | 0.058         |
| 16                             | 47                       | 5×11                      | 150   | 0.90                    | 3.6           |
|                                | 100                      | 6.3×11                    | 250   | 0.40                    | 1.6           |
|                                | 220                      | 8×11.5                    | 400   | 0.25                    | 1.0           |
|                                | 330                      | 8×11.5                    | 400   | 0.25                    | 1.0           |
|                                | 470                      | 10×12.5                   | 580   | 0.16                    | 0.65          |
|                                | 1000                     | 10×20                     | 1050  | 0.078                   | 0.30          |
|                                | 2200                     | 12.5×25                   | 1650  | 0.048                   | 0.16          |
|                                | 3300                     | 16×25                     | 1850  | 0.034                   | 0.096         |
|                                | 4700                     | 16×31.5                   | 2000  | 0.029                   | 0.087         |
| 6800                           | 18×35.5                  | 2200                      | 0.025   | 0.058                   |               |
| 25                             | 33                       | 5×11                      | 150   | 0.90                    | 3.6           |
|                                | 47                       | 5×11                      | 150   | 0.90                    | 3.6           |
|                                | 100                      | 6.3×11                    | 250   | 0.40                    | 1.6           |
|                                | 220                      | 8×11.5                    | 400   | 0.25                    | 1.0           |
|                                | 330                      | 10×12.5                   | 580   | 0.16                    | 0.65          |
|                                | 470                      | 10×16                     | 770   | 0.12                    | 0.46          |
|                                | 1000                     | 12.5×20                   | 1300  | 0.062                   | 0.21          |
|                                | 2200                     | 16×25                     | 1850  | 0.034                   | 0.096         |
|                                | 3300                     | 16×31.5                   | 2000  | 0.029                   | 0.087         |
| 4700                           | 18×35.5                  | 2200                      | 0.025   | 0.058                   |               |
| 35                             | 33                       | 5×11                      | 150   | 0.90                    | 3.6           |
|                                | 47                       | 6.3×11                    | 250   | 0.40                    | 1.6           |
|                                | 100                      | 8×11.5                    | 400   | 0.25                    | 1.0           |
|                                | 220                      | 10×12.5                   | 580   | 0.16                    | 0.65          |
|                                | 330                      | 10×16                     | 770   | 0.12                    | 0.46          |
|                                | 470                      | 10×20                     | 1050  | 0.078                   | 0.30          |
|                                | 1000                     | 12.5×25                   | 1650  | 0.048                   | 0.16          |
|                                | 2200                     | 16×31.5                   | 2000  | 0.029                   | 0.087         |
| 3300                           | 18×35.5                  | 2200                      | 0.025   | 0.058                   |               |

| 额定电压<br>Rated Voltage<br>(Vdc) | 静电容量<br>Capacitance (μF) | 外形尺寸<br>Size<br>φ D×L(mm) | 额定纹波电流<br>Rated ripple current<br>(mA r.m.s./105°C, 100kHz) | 阻抗 (Ω MAX)<br>Impedance |               |
|--------------------------------|--------------------------|---------------------------|---|-------------------------|---------------|
|                                |                          |                           |   | 20°C, 100kHz            | -10°C, 100kHz |
| 50                             | 1                        | 5×11                      | 30  | 4.0                     | 8.0           |
|                                | 2.2                      | 5×11                      | 43  | 2.5                     | 6.0           |
|                                | 3.3                      | 5×11                      | 53  | 2.2                     | 5.6           |
|                                | 4.7                      | 5×11                      | 88  | 1.9                     | 5.0           |
|                                | 10                       | 5×11                      | 100   | 1.5                     | 4.0           |
|                                | 22                       | 5×11                      | 150   | 0.90                    | 3.6           |
|                                | 33                       | 6.3×11                    | 250   | 0.40                    | 1.6           |
|                                | 47                       | 6.3×11                    | 250   | 0.40                    | 1.6           |
|                                | 100                      | 8×11.5                    | 400   | 0.25                    | 1.0           |
|                                | 220                      | 10×16                     | 770   | 0.12                    | 0.46          |
|                                | 330                      | 10×20                     | 1050  | 0.078                   | 0.30          |
|                                | 470                      | 12.5×20                   | 1300  | 0.062                   | 0.21          |
|                                | 1000                     | 16×25                     | 1850  | 0.034                   | 0.096         |
|                                | 2200                     | 18×35.5                   | 2200  | 0.025                   | 0.058         |
| 63                             | 10                       | 5×11                      | 87  | 2.3                     | 9.3           |
|                                | 22                       | 6.3×11                    | 140   | 1.3                     | 5.2           |
|                                | 33                       | 6.3×11                    | 140   | 1.2                     | 5.0           |
|                                | 47                       | 8×11.5                    | 210   | 0.63                    | 2.8           |
|                                | 100                      | 10×12.5                   | 300   | 0.43                    | 1.8           |
|                                | 220                      | 10×20                     | 520   | 0.21                    | 0.84          |
|                                | 330                      | 12.5×20                   | 660   | 0.16                    | 0.64          |
|                                | 470                      | 12.5×25                   | 750   | 0.12                    | 0.45          |
|                                | 1000                     | 16×31.5                   | 1390  | 0.054                   | 0.20          |
|                                | 100                      | 1                         | 5×11  | 20                      | 4.5           |
| 2.2                            |                          | 5×11                      | 30  | 3.0                     | 13.0          |
| 3.3                            |                          | 5×11                      | 40  | 2.7                     | 11.0          |
| 4.7                            |                          | 5×11                      | 65  | 2.5                     | 10.0          |
| 10                             |                          | 6.3×11                    | 140   | 1.2                     | 5.0           |
| 22                             |                          | 8×11.5                    | 160   | 0.63                    | 2.8           |
| 33                             |                          | 10×12.5                   | 230   | 0.43                    | 1.8           |
| 47                             |                          | 10×16                     | 290   | 0.31                    | 1.5           |
| 100                            |                          | 12.5×20                   | 430   | 0.16                    | 0.64          |
| 220                            |                          | 16×25                     | 900   | 0.073                   | 0.27          |
| 330                            |                          | 16×25                     | 900   | 0.073                   | 0.27          |

## X-ON Electronics

Largest Supplier of Electrical and Electronic Components

*Click to view similar products for [Aluminium Electrolytic Capacitors - Radial Leaded](#) category:*

*Click to view products by [Rubycon](#) manufacturer:*

Other Similar products are found below :

[LXY50VB4.7M-5X11](#) [RFO-100V471MJ7P#](#) [ECE-A1EGE220](#) [B41041A2687M8](#) [B41041A7226M8](#) [B41044A7157M6](#)  
[EKXG201EC3101ML20S](#) [EKZM160ETD471MHB5D](#) [NCD681K10KVY5PF](#) [NEV1000M25EF-BULK](#) [NEV100M35DC](#) [NEV100M63DE](#)  
[NEV220M25DD-BULK](#) [NEV.33M100AA](#) [NEV4700M50HB](#) [NEV.47M100AA](#) [NEVH1.0M250AB](#) [NEVH3.3M250BB](#) [NEVH3.3M450CC](#)  
[KM4700/16](#) [KME50VB100M-8X11.5](#) [SG220M1CSA-0407](#) [ES5107M016AE1DA](#) [ESMG160ETD102MJ16S](#) [ESX472M16B](#)  
[SZ010M1500A5S-1015](#) [227RZS050M](#) [476CKH100MSA](#) [477RZS050M](#) [UVX1V101KPA1FA](#) [UVX1V222MHA1CA](#) [KME25VB100M-](#)  
[6.3X11](#) [VTL100S10](#) [VTL470S10](#) [VTL470S16A](#) [511D336M250EK5D](#) [052687X](#) [ECE-A1CF471](#) [EKMA500ELL4R7ME07D](#) [NRE-](#)  
[S560M16V6.3X7TBSTF](#) [RGA221M1CTA-0611G](#) [ERZA630VHN182UP54N](#) [UPL1A331MPH](#) [NEV1000M6.3DE](#) [NEV100M16CB](#)  
[NEV100M50DD-BULK](#) [NEV2200M16FF](#) [NEV220M50EE](#) [NEV2.2M50AA](#) [NEV330M63EF](#)