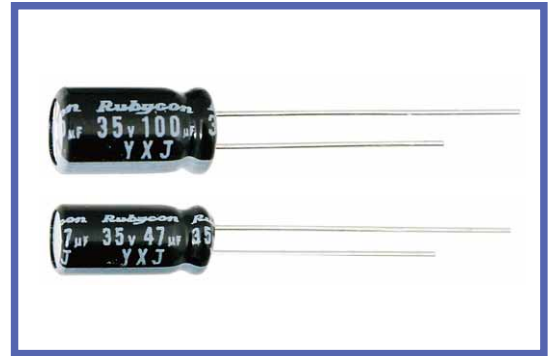


YXJ SERIES
NEW
105°C Miniaturized.Long Life,Low impedance.
◆FEATURES

- Load Life : 105°C 4000~10000hours.
- RoHS compliance.


◆SPECIFICATIONS

Items	Characteristics																														
Category Temperature Range	-40~+105°C																														
Rated Voltage Range	6.3~100V.DC																														
Capacitance Tolerance	±20%(20°C,120Hz)																														
Leakage Current(MAX)	I=0.01CV or 3µA whichever is greater. (After 2 minutes) I=Leakage Current(µA) C=Rated Capacitance(µF) V=Rated Voltage(V)																														
(tanδ) Dissipation Factor(MAX)	<table border="1"> <tr> <td>Rated Voltage (V)</td> <td>6.3</td> <td>10</td> <td>16</td> <td>25</td> <td>35</td> <td>50</td> <td>63</td> <td>100</td> <td>(20°C,120Hz)</td> </tr> <tr> <td>tanδ</td> <td>0.22</td> <td>0.19</td> <td>0.16</td> <td>0.14</td> <td>0.12</td> <td>0.10</td> <td>0.09</td> <td>0.08</td> <td></td> </tr> </table> <p>When rated capacitance is over 1000µF, tanδ shall be added 0.02 to the listed value with increase of every 1000µF.</p>	Rated Voltage (V)	6.3	10	16	25	35	50	63	100	(20°C,120Hz)	tanδ	0.22	0.19	0.16	0.14	0.12	0.10	0.09	0.08											
Rated Voltage (V)	6.3	10	16	25	35	50	63	100	(20°C,120Hz)																						
tanδ	0.22	0.19	0.16	0.14	0.12	0.10	0.09	0.08																							
Endurance	<p>After life test with rated ripple current at conditions stated in the table below, the capacitors shall meet the following requirements.</p> <table border="1"> <tr> <td>Capacitance Change</td> <td>Within ±25% of the initial value.(6.3V:±30%)</td> <td rowspan="3"> <table border="1"> <tr> <td>Case Size</td> <td colspan="2">Life Time (hrs)</td> </tr> <tr> <td></td> <td>6.3~10WV</td> <td>16~100WV</td> </tr> <tr> <td>φD=5</td> <td>4000</td> <td>5000</td> </tr> <tr> <td>φD=6,3,8</td> <td>6000</td> <td>7000</td> </tr> <tr> <td>φD≥10</td> <td>8000</td> <td>10000</td> </tr> </table> </td> </tr> <tr> <td>Dissipation Factor</td> <td>Not more than 200% of the specified value.</td> </tr> <tr> <td>Leakage Current</td> <td>Not more than the specified value.</td> </tr> </table>	Capacitance Change	Within ±25% of the initial value.(6.3V:±30%)	<table border="1"> <tr> <td>Case Size</td> <td colspan="2">Life Time (hrs)</td> </tr> <tr> <td></td> <td>6.3~10WV</td> <td>16~100WV</td> </tr> <tr> <td>φD=5</td> <td>4000</td> <td>5000</td> </tr> <tr> <td>φD=6,3,8</td> <td>6000</td> <td>7000</td> </tr> <tr> <td>φD≥10</td> <td>8000</td> <td>10000</td> </tr> </table>	Case Size	Life Time (hrs)			6.3~10WV	16~100WV	φD=5	4000	5000	φD=6,3,8	6000	7000	φD≥10	8000	10000	Dissipation Factor	Not more than 200% of the specified value.	Leakage Current	Not more than the specified value.								
Capacitance Change	Within ±25% of the initial value.(6.3V:±30%)	<table border="1"> <tr> <td>Case Size</td> <td colspan="2">Life Time (hrs)</td> </tr> <tr> <td></td> <td>6.3~10WV</td> <td>16~100WV</td> </tr> <tr> <td>φD=5</td> <td>4000</td> <td>5000</td> </tr> <tr> <td>φD=6,3,8</td> <td>6000</td> <td>7000</td> </tr> <tr> <td>φD≥10</td> <td>8000</td> <td>10000</td> </tr> </table>	Case Size		Life Time (hrs)			6.3~10WV	16~100WV	φD=5	4000	5000	φD=6,3,8	6000	7000	φD≥10	8000	10000													
Case Size	Life Time (hrs)																														
	6.3~10WV		16~100WV																												
φD=5	4000	5000																													
φD=6,3,8	6000	7000																													
φD≥10	8000	10000																													
Dissipation Factor	Not more than 200% of the specified value.																														
Leakage Current	Not more than the specified value.																														
Low Temperature Stability Impedance Ratio(MAX)	<table border="1"> <tr> <td>Rated Voltage (V)</td> <td>6.3</td> <td>10</td> <td>16</td> <td>25</td> <td>35</td> <td>50</td> <td>63</td> <td>100</td> <td>(120Hz)</td> </tr> <tr> <td>Z(-25°C)/Z(20°C)</td> <td>4</td> <td>3</td> <td>2</td> <td>2</td> <td>2</td> <td>2</td> <td>2</td> <td>2</td> <td></td> </tr> <tr> <td>Z(-40°C)/Z(20°C)</td> <td>8</td> <td>6</td> <td>4</td> <td>3</td> <td>3</td> <td>3</td> <td>3</td> <td>3</td> <td></td> </tr> </table>	Rated Voltage (V)	6.3	10	16	25	35	50	63	100	(120Hz)	Z(-25°C)/Z(20°C)	4	3	2	2	2	2	2	2		Z(-40°C)/Z(20°C)	8	6	4	3	3	3	3	3	
Rated Voltage (V)	6.3	10	16	25	35	50	63	100	(120Hz)																						
Z(-25°C)/Z(20°C)	4	3	2	2	2	2	2	2																							
Z(-40°C)/Z(20°C)	8	6	4	3	3	3	3	3																							

◆MULTIPLIER FOR RIPPLE CURRENT

Frequency coefficient

(6.3WV~50WV)

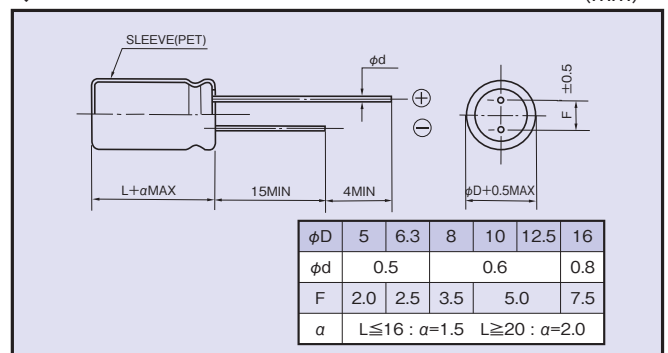
Frequency (Hz)	120	1k	10k	100k≤
0.47~10µF	0.42	0.60	0.80	1.00
22~33µF	0.55	0.75	0.90	1.00
47~330µF	0.70	0.85	0.95	1.00
470~1000µF	0.75	0.90	0.98	1.00
2200~15000µF	0.80	0.95	1.00	1.00

(63WV~100WV)

Frequency (Hz)	120	1k	10k	100k≤
Coefficient	0.42	0.60	0.80	1.00

◆DIMENSIONS

(mm)


◆PART NUMBER

□□□	YXJ	□□□□□	□	□□□	□□	DXL
Rated Voltage	Series	Rated Capacitance	Capacitance Tolerance	Option	Lead Forming	Case Size

◆STANDARD SIZE

Rated Voltage (V·DC)	Rated capacitance (μF)	Size φD×L(mm)	Rated ripple current (mA r.m.s./105°C, 100kHz)	(Ω MAX) Impedance	
				20°C, 100kHz	-10°C, 100kHz
6.3 (0J)	100	5×11	150	0.90	3.6
	220	5×11	250	0.40	1.2
	330	6.3×11	340	0.22	0.87
	470	6.3×11	400	0.22	0.87
	1000	8×11.5	640	0.13	0.52
	2200	10×16	1300	0.062	0.25
	3300	10×20	1400	0.046	0.18
	4700	12.5×25	2230	0.032	0.11
	6800	12.5×25	2230	0.032	0.11
	10000	16×25	2930	0.021	0.060
15000	16×35.5	3610	0.015	0.044	
10 (1A)	100	5×11	150	0.90	3.6
	220	5×11	250	0.40	1.2
	330	6.3×11	400	0.22	0.87
	470	6.3×11	400	0.22	0.87
	1000	10×12.5	865	0.080	0.32
	2200	10×20	1400	0.046	0.18
	3300	12.5×20	1900	0.041	0.14
	4700	12.5×25	2230	0.032	0.11
	6800	16×25	2930	0.021	0.060
10000	16×31.5	3450	0.019	0.056	
16 (1C)	47	5×11	250	0.40	1.2
	100	5×11	250	0.40	1.2
	220	6.3×11	400	0.22	0.87
	330	6.3×11	400	0.22	0.87
	470	8×11.5	640	0.13	0.52
	1000	10×16	1210	0.062	0.25
	2200	12.5×20	1900	0.041	0.14
	3300	12.5×25	2230	0.032	0.11
	4700	16×25	2930	0.021	0.060
6800	16×31.5	3450	0.019	0.056	
25 (1E)	33	5×11	250	0.40	1.2
	47	5×11	250	0.40	1.2
	100	5×11	250	0.40	1.2
	220	6.3×11	400	0.22	0.87
	330	8×11.5	640	0.13	0.52
	470	10×12.5	865	0.080	0.32
	1000	10×20	1400	0.046	0.18
	2200	12.5×25	2230	0.032	0.11
	3300	16×25	2930	0.021	0.060
	4700	16×31.5	3450	0.019	0.056
35 (1V)	33	5×11	250	0.40	1.2
	47	5×11	250	0.40	1.2
	100	6.3×11	400	0.22	0.87
	220	8×11.5	640	0.13	0.52
	330	10×12.5	865	0.080	0.32
	470	10×16	1210	0.062	0.25
	1000	12.5×20	1900	0.041	0.14
	2200	16×25	2930	0.021	0.060
3300	16×31.5	3450	0.019	0.056	

Rated Voltage (V·DC)	Rated capacitance (μF)	Size φD×L(mm)	Rated ripple current (mA r.m.s./105°C, 100kHz)	(Ω MAX) Impedance	
				20°C, 100kHz	-10°C, 100kHz
50 (1H)	0.47	5×11	17	5.5	12.0
	1	5×11	30	4.0	8.0
	2.2	5×11	43	2.5	6.0
	3.3	5×11	53	2.2	5.6
	4.7	5×11	88	1.9	5.0
	10	5×11	100	1.5	4.0
	22	5×11	150	0.90	3.6
	33	5×11	250	0.70	2.8
	47	6.3×11	250	0.40	1.6
	100	8×11.5	400	0.25	1.0
	220	10×16	770	0.12	0.46
	330	10×20	1050	0.078	0.30
	470	12.5×20	1300	0.062	0.21
	1000	16×25	1850	0.034	0.096
2200	16×35.5	3150	0.019	0.057	
63 (1J)	10	5×11	173	0.88	3.5
	22	5×11	173	0.88	3.5
	33	6.3×11	278	0.35	1.4
	47	6.3×11	278	0.35	1.4
	100	10×12.5	725	0.15	0.60
	220	10×20	1200	0.078	0.31
	330	12.5×20	1570	0.060	0.19
	470	12.5×25	1990	0.043	0.14
1000	16×25	2730	0.032	0.096	
100 (2A)	0.47	5×11	15	6.0	17.0
	1	5×11	20	4.5	15.0
	2.2	5×11	30	3.0	13.0
	3.3	5×11	40	2.7	11.0
	4.7	5×11	65	2.5	10.0
	10	5×11	163	1.4	5.6
	22	6.3×11	267	0.57	2.3
	33	8×11.5	462	0.36	1.4
	47	8×16	585	0.25	1.0
	100	10×20	1040	0.12	0.52
	220	12.5×25	1620	0.060	0.23
	330	16×25	2210	0.044	0.16



小型铝电解电容器

MINIATURE ALUMINUM ELECTROLYTIC CAPACITORS

小型电解电容器的产品型号体系 / PART NUMBER

额定电压 Rated Voltage		系列名称 Series		静电容量 Capacitance		静电容量允许差 Capacitance Tolerance		副记号 Option	引线加工记号 Lead Forming	D×L 铝壳尺寸 Case Size
Rated Voltage (V)	Code	Cap. (μF)	Code	Tolerance	Code	EFC etc	TA, KC, CA etc	5×11 10×12.5 12.5×40		
6.3	6.3	0.1	0R1	±20%	M					
10	10	0.47	0R47							
25	25	1	1							
100	100	10	10							
		1000	1000							

请参照第20、21、24页
Shown in P20, 21, 24

在订货时, 请注明额定电压、系列名称、静电容量、引线加工、铝壳尺寸的信息。
Please indicate the above information, when you inquire.

例) : Example

- 长引线品 Long lead type: 50 PX 2R2 M EFC 5×11
- 编带品 Taping type: 35 ZLJ 220 M TA 8×16

◆副记号 / OPTION

	记号 Code
PET套管 PET Sleeve	EFC
PVC套管 PVC Sleeve	无 Blank

※YXJ、ZLK、ZLJ、ZT、BXF、RX30和AX系列没有副记号, 均为PET套管。
YXJ, ZLK, ZLJ, ZT, BXF, RX30, AX series are all pet sleeve without "EFC" code.

贴片型铝电解电容器的产品型号体系 / PART NUMBER

额定电压 Rated Voltage		系列名称 Series		静电容量 Capacitance		静电容量允许差 Capacitance Tolerance		副记号 Option	D×L 铝壳尺寸 Case Size
Rated Voltage (V)	Code	Cap. (μF)	Code	Tolerance	Code			4×6.1 8×10.5 16×21.5	
6.3	6.3	4.7	4R7	±20%	M				
10	10	220	220						
25	25	3300	3300						
100	100								

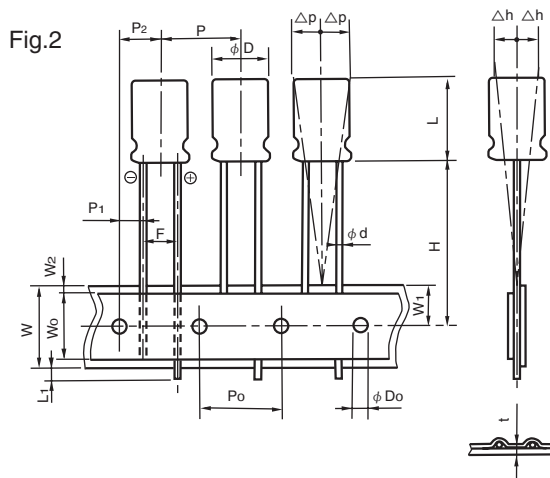
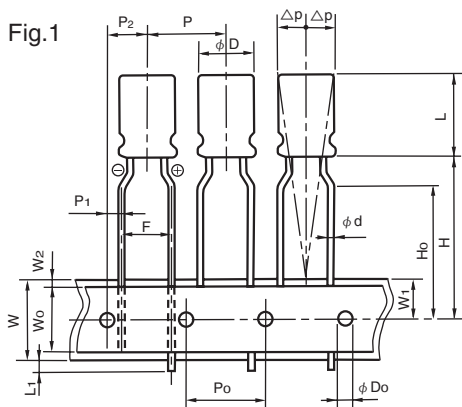
在订货时, 请注明额定电压、系列名称、静电容量、铝壳尺寸的信息。
Please indicate the above information, when you inquire.

例) : Example

35 TZV 330 M 10×10.5

◆ 编带规格 / TAPING SPECIFICATIONS

◆ 纵向引线形 (04形) 编带形状尺寸图 / DIMENSIONS

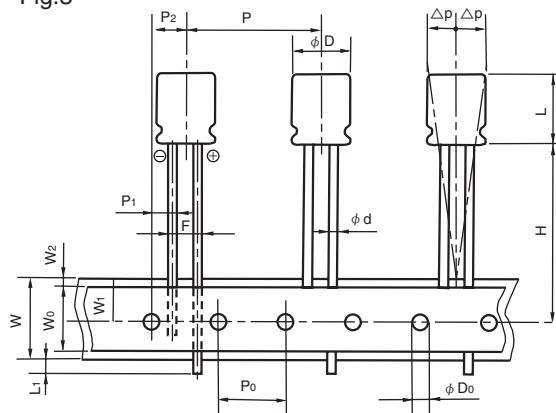


◆ 规格表 / SPECIFICATION TABLE

(mm)

项 目 Items	记号 Code	5mm Height		7mm or 7.5mm Height				允许差 Tolerance
		φ 4 ~ φ 8		φ 4 ~ φ 6.3	φ 4 ~ φ 6.3	φ 8		
引线加工记号 Taping code		T5	TZ	T5	TZ	TA	T7	
形状尺寸图 Applicable Fig. No.		Fig.2	Fig.1	Fig.2	Fig.1	Fig.1	Fig.2	
引线直径 Dia. of lead	φ d	0.45		0.45				±0.05
主体高度 Height of body	L	6.5		8.5				MAX
主体间距 Distance from center to center of next body	P	12.7		12.7				±1.0
穿孔间距 Distance from center to center of next driving hole	P ₀	12.7		12.7				±0.2
穿孔与引线间距 Distance between center of driving hole and lead	P ₁	5.1	3.85	5.1	3.85	4.6	±0.5	
穿孔与主体间距 Distance between center of driving hole and body	P ₂	6.35		6.35				±1.0
引线间距 Pitch of lead	F	2.5	5.0	2.5	5.0	3.5	+0.8 -0.2	
衬纸宽度 Width of mounting tape	W	18.0		18.0				±0.3
胶带宽度 Width of adhesive tape	W ₀	5.0		5.0				MIN
穿孔与衬纸间距 Distance between center of driving hole and mounting tape edge	W ₁	9.0		9.0				±0.5
胶带与衬纸间距 Max. allowable distance between mounting and adhesive tape edges	W ₂	1.5		1.5				MAX
主体下方位置 Distance between center of driving hole and bottom of body	H	17.5		17.5		20.0		±0.75
引线弯曲高度 Distance between center of driving hole and clinch part of lead	H ₀	—	16.0	—	16.0	—	±0.5	
引线头 End of lead	L ₁	0.5		0.5				MAX
穿孔直径 Dia. of driving hole	φ D ₀	4.0		4.0				±0.2
主体倾斜度 Off alignment of body top	Δh	1.0		1.0				MAX
主体倾斜度 Off alignment of body top	Δp	1.0		1.0				MAX
编带总厚度 Sum of thickness for mounting and adhesive tape without lead dia.	t	0.6		0.6				±0.3
包装数量 (个) Quantity (pcs)		2000 (φ 8:1000)						

Fig.3



◆规格表 / SPECIFICATION TABLE

(mm)

项 目 Items	记号 Code	9mm or more Height						※ 允许差 Tolerance	
		φ 5, φ 6.3		φ 8	φ 10	φ 12.5	φ 16		φ 18
引线加工记号 Taping code		T1	TA	TA	T7	T8	G4	GC	
形状尺寸图 Applicable Fig. No.		Fig.2	Fig.1	Fig.1	Fig.2	Fig.2	Fig.2	Fig.3	
引线直径 Dia. of lead	φ d	0.5		0.6			0.8		± 0.05
主体高度 Height of body	L	13.0		22.0		30.0	42.0		MAX
主体间距 Distance from center to center of next body	P	12.7				15.0	30.0		± 1.0
穿孔间距 Distance from center to center of next driving hole	P ₀	12.7				15.0	15.0 ± 0.3		± 0.2
穿孔与引线间距 Distance between center of driving hole and lead	P ₁	5.1	3.85	4.6	3.85	5.0	3.75		± 0.5
穿孔与主体间距 Distance between center of driving hole and body	P ₂	6.35				7.5			± 1.0
引线间距 Pitch of lead	F	2.5	5.0	3.5	5.0 ± 0.8		7.5 ± 0.8		+0.8 -0.2
衬纸宽度 Width of mounting tape	W	18.0						± 0.3	
胶带宽度 Width of adhesive tape	W ₀	5.0				MIN			
穿孔与衬纸间距 Distance between center of driving hole and mounting tape edge	W ₁	9.0				± 0.5			
胶带与衬纸间距 Max. allowable distance between mounting and adhesive tape edges	W ₂	1.5				MAX			
主体下方位置 Distance between center of driving hole and bottom of body	H	18.5		20.0		18.5 ^{+0.75} _{-0.5}			± 0.75
引线弯曲高度 Distance between center of driving hole and clinch part of lead	H ₀	—	16.0		—	—			± 0.5
引线头 End of lead	L ₁	0.5					MAX		
穿孔直径 Dia. of driving hole	φ D ₀	4.0				± 0.2			
主体倾斜度 Off alignment of body top	Δh	1.0				MAX			
主体倾斜度 Off alignment of body top	Δp	1.0				MAX			
编带总厚度 Sum of thickness for mounting and adhesive tape without lead dia	t	0.6					± 0.3		
包装数量 (个) Quantity (pcs)		2000		1000		500		250	

※容许差有特别规定时，特别规定优先。

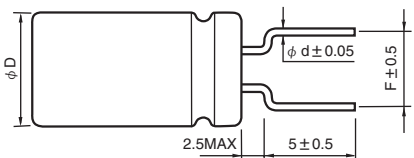
※For the case that tolerance is specified individually, the value shall have the priority.

◆引线加工规格 / LEAD CUTTING FORMING SPECIFICATIONS

为了使产品在印刷电路板上安装方便，我公司对产品引线有以下加工类型：引线成型，引线切脚，基板自立型特殊加工（爪式引线成型）。Rubycon provides lead-formed and lead-cut products to facilitate mounting on printed circuit boards, as well as products with leads specially processed (kink formed) for self supporting insertions to printed circuit boards.

• 引线成型
Lead forming

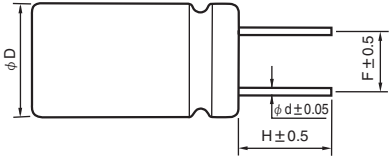
($\phi 5 \sim \phi 8$)
Lead forming code : FA



(mm)			
ϕD	5	6.3	8
ϕd	0.5		0.6
F	5.0		

• 引线切脚
Lead cutting

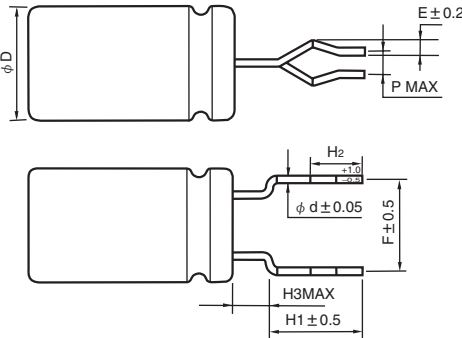
($\phi 5 \sim \phi 18$)
Lead cutting code : CA
CC
CE



(mm)								
ϕD	5	6.3	8	10	12.5	14.5	16	18
H	5.0 (CA)							
	4.0 (CC)							
	3.5 (CE)							
ϕd	0.5		0.6		0.8			
F	2.0	2.5	3.5	5.0		7.5		

• 爪式引线成型
Kinked lead forming

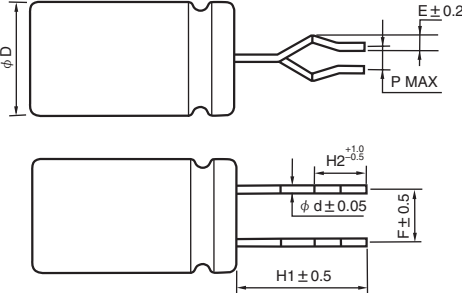
($\phi 5 \sim \phi 8$)
Kinked lead forming code : KC



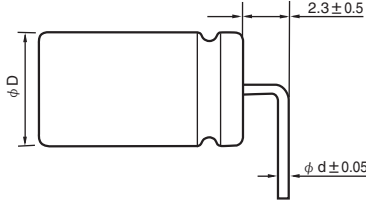
(mm)								
ϕD	5	6.3	8	10	12.5	14.5	16	18
H1	4.5							
H2	2.8							
H3	2.5		—					
F	5.0				7.5			
P	1.0							
E	1.2			1.3				
ϕd	0.5		0.6		0.8			

• 爪式引线切脚
Kinked lead cutting

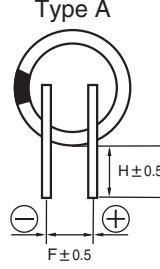
($\phi 10 \sim \phi 18$)
Kinked lead cutting code : KC



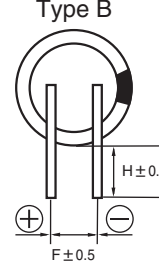
• 横置对应品 ($\phi 10 \sim \phi 18$) / Low profile with horizontal mounting



A型
Type A



B型
Type B



(mm)								
ϕD	10, 12.5				14.5, 16, 18			
Code	RI	RK	RX	SG	RI	RK	RX	SG
ϕd	0.6				0.8			
F	5.0				7.5			
H	4.0		3.5		4.0		3.5	
Type	A	B	A	B	A	B	A	B



铝电解电容器

ALUMINUM ELECTROLYTIC CAPACITORS

包装规格/PACKAGING SPECIFICATION

◆引线端子型/LEAD WIRE TYPE

产品尺寸 SIZE		长引线品 LONG LEAD				引线加工品 LEAD FORMING				编带品 TAPING	
		包装单位 PACKAGE QUANTITY		标准外箱包装单位 STANDARD SHIPPING CARTON QUANTITY		包装单位 PACKAGE QUANTITY		标准外箱包装单位 STANDARD SHIPPING CARTON QUANTITY		包装单位 PACKAGE QUANTITY	标准外箱 包装单位 STANDARD SHIPPING CARTON QUANTITY
		散装 BULK PACKAGE	盒装 ALIGNED PACKAGE	散装 BULK PACKAGE	盒装 ALIGNED PACKAGE	散装 BULK PACKAGE	盒装 ALIGNED PACKAGE	散装 BULK PACKAGE	盒装 ALIGNED PACKAGE		
φ 4	4×5	5,000	-	50,000	-	5,000	-	50,000	-	2,000	20,000
	4×7	5,000	-	50,000	-	5,000	-	50,000	-	2,000	20,000
	5×5	5,000	-	50,000	-	5,000	-	50,000	-	2,000	20,000
φ 5	5×7	5,000	-	50,000	-	5,000	-	50,000	-	2,000	20,000
	5×11	3,000	-	30,000	-	5,000	-	50,000	-	2,000	20,000
	6.3×5	3,000	-	30,000	-	5,000	-	50,000	-	2,000	20,000
φ 6.3	6.3×7	3,000	-	30,000	-	5,000	-	50,000	-	2,000	20,000
	6.3×9	2,000	-	12,000	-	3,000	-	18,000	-	2,000	10,000
	6.3×11	2,000	-	12,000	-	3,000	-	18,000	-	2,000	10,000
	6.3×15	2,000	-	12,000	-	3,000	-	18,000	-	2,000	10,000
	6.3×25	1,000	-	6,000	-	1,000	-	6,000	-	-	-
	6.3×30	1,000	-	6,000	-	1,000	-	6,000	-	-	-
	6.3×40	1,000	-	6,000	-	1,000	-	6,000	-	-	-
	6.3×50	1,000	-	6,000	-	1,000	-	6,000	-	-	-
	8×5	3,000	-	30,000	-	5,000	-	50,000	-	1,000	10,000
	8×7	3,000	-	18,000	-	5,000	-	30,000	-	1,000	10,000
φ 8	8×7.5	2,000	-	20,000	-	2,000	-	20,000	-	1,000	10,000
	8×9	2,000	-	12,000	-	2,000	-	12,000	-	1,000	10,000
	8×10.8	2,000	-	12,000	-	2,000	-	12,000	-	1,000	10,000
	8×11.5	2,000	-	12,000	-	2,000	-	12,000	-	1,000	10,000
	8×16	1,000	-	6,000	-	1,000	-	6,000	-	1,000	4,000
	8×20	1,000	-	6,000	-	1,000	-	6,000	-	1,000	4,000
	8×23	1,000	-	6,000	-	1,000	-	6,000	-	1,000	4,000
	8×25	-	500	-	2,000	-	500	-	2,000	-	-
	8×30	-	500	-	2,000	-	500	-	2,000	-	-
	8×35	-	500	-	2,000	-	500	-	2,000	-	-
	8×40	-	500	-	2,000	-	500	-	2,000	-	-
	8×45	-	500	-	2,000	-	500	-	2,000	-	-
	8×50	-	500	-	2,000	-	500	-	2,000	-	-
	8×55	-	500	-	1,500	-	500	-	2,000	-	-
	8×60	-	500	-	1,500	-	500	-	2,000	-	-
	φ 10	10×9	1,000	-	6,000	-	1,000	-	6,000	-	500
10×10		1,000	-	6,000	-	1,000	-	6,000	-	500	5,000
10×12.5		1,000	-	6,000	-	1,000	-	6,000	-	500	5,000
10×16		1,000	-	6,000	-	1,000	-	6,000	-	500	5,000
10×20		1,000	-	4,000	-	1,000	-	4,000	-	500	5,000
10×23		1,000	-	4,000	-	1,000	-	4,000	-	500	5,000
10×25		1,000	500	4,000	2,000	1,000	500	4,000	2,000	500	5,000
10×28		1,000	500	4,000	2,000	1,000	500	4,000	2,000	500	5,000
10×30		-	500	-	2,000	-	500	-	2,000	-	-
10×35		-	500	-	2,000	-	500	-	2,000	-	-
10×40		-	500	-	2,000	-	500	-	2,000	-	-
10×45		-	500	-	2,000	-	500	-	2,000	-	-
10×50		-	500	-	2,000	-	500	-	2,000	-	-
10×55		-	500	-	1,500	-	500	-	2,000	-	-
10×60	-	500	-	1,500	-	500	-	2,000	-	-	
φ 12.5	12.5×16	1,000	-	4,000	-	1,000	500	4,000	2,500	500	2,000
	12.5×20	1,000	500	4,000	2,500	1,000	500	4,000	2,500	500	2,000
	12.5×25	1,000	500	4,000	2,500	1,000	500	4,000	2,500	500	2,000
	12.5×30	600	500	2,400	2,000	600	500	2,400	2,000	500	2,000
	12.5×35	600	500	2,400	2,000	600	500	2,400	2,000	500	2,000
	12.5×40	600	500	2,400	2,000	600	500	2,400	2,000	500	2,000
	12.5×45	-	500	-	2,000	-	500	-	2,000	-	-
	12.5×50	-	500	-	2,000	-	500	-	2,000	-	-
	12.5×55	-	500	-	1,500	-	500	-	1,500	-	-
	12.5×60	-	500	-	1,500	-	500	-	1,500	-	-
φ 14.5	14.5×20	-	500	-	1,500	-	500	-	1,500	-	-
	14.5×25	-	500	-	1,500	-	500	-	1,500	-	-
	14.5×30	-	500	-	1,500	-	500	-	1,500	-	-
	14.5×31.5	-	500	-	1,500	-	500	-	1,500	-	-
	14.5×35	-	500	-	1,500	-	500	-	1,500	-	-
	14.5×40	-	500	-	1,500	-	500	-	1,500	-	-
	14.5×45	-	500	-	1,500	-	500	-	1,500	-	-
	14.5×50	-	500	-	1,500	-	500	-	1,500	-	-
φ 16	16×16	600	-	2,400	-	600	400	2,400	2,000	250	1,500
	16×20	600	200	2,400	1,000	600	400/200	2,400	2,000/1,000	250	1,500
	16×25	600	200	2,400	1,000	600	400/200	2,400	2,000/1,000	250	1,500
	16×30	-	200	-	1,000	-	200	-	1,000	250	1,500
	16×31.5	-	200	-	1,000	-	200	-	1,000	250	1,500
	16×35	-	200	-	1,000	-	200	-	1,000	250	1,000
	16×35.5	-	200	-	1,000	-	200	-	1,000	250	1,000
	16×40	-	200	-	1,000	-	200	-	1,000	250	1,000
	16×45	-	200	-	1,000	-	200	-	1,000	-	-
	16×50	-	200	-	1,000	-	200	-	1,000	-	-
φ 18	18×16	500	-	2,000	-	-	200	-	1,000	250	1,500
	18×20	500	200	2,000	1,000	-	200	-	1,000	250	1,500
	18×25	500	200	2,000	1,000	-	200	-	1,000	250	1,500
	18×30	-	200	-	1,000	-	200	-	1,000	250	1,000
	18×31.5	-	200	-	1,000	-	200	-	1,000	250	1,000
	18×35	-	200	-	1,000	-	200	-	1,000	250	1,000
	18×35.5	-	200	-	1,000	-	200	-	1,000	250	1,000
	18×40	-	200	-	1,000	-	200	-	1,000	250	1,000
	18×45	-	200	-	1,000	-	200	-	1,000	-	-
	18×50	-	200	-	1,000	-	200	-	1,000	-	-

包装单位存在与上述相异的情况。

There are some differences between actual package quantity and above list.

关于散装与盒装并记的尺寸，以盒装作为出口用的标准。

For the sizes stated both bulk and aligned package, aligned package is standard for exporting carton.

X-ON Electronics

Largest Supplier of Electrical and Electronic Components

Click to view similar products for [Aluminium Electrolytic Capacitors - Radial Leaded](#) category:

Click to view products by [Rubycon](#) manufacturer:

Other Similar products are found below :

[LXY50VB4.7M-5X11](#) [RFO-100V471MJ7P#](#) [ECE-A1EGE220](#) [1814181](#) [NCD681K10KVY5PF](#) [NEV1000M25EF-BULK](#) [NEV100M35DC](#)
[NEV100M63DE](#) [NEV220M25DD-BULK](#) [NEV.33M100AA](#) [NEV4700M50HB](#) [NEV.47M100AA](#) [NEVH1.0M250AB](#) [NEVH3.3M250BB](#)
[NEVH3.3M450CC](#) [KME50VB100M-8X11.5](#) [SG220M1CSA-0407](#) [ES5107M016AE1DA](#) [ESX472M16B](#) [476CKH100MSA](#) [477RZS050M](#)
[UVX1V101KPA1FA](#) [UVX1V222MHA1CA](#) [KME25VB100M-6.3X11](#) [VTL100S10](#) [VTL470S10](#) [511D336M250EK5D](#) [052687X](#) [ECE-](#)
[A1CF471](#) [EKXG451ELL820MM30S](#) [686CKR050M](#) [NRE-S560M16V6.3X7TBSTF](#) [ERZA630VHN182UP54N](#) [UPL1A331MPH](#)
[NEV1000M6.3DE](#) [NEV100M16CB](#) [NEV100M50DD-BULK](#) [NEV2200M16FF](#) [NEV220M50EE](#) [NEV2.2M50AA](#) [NEV330M63EF](#)
[NEV4700M35HI](#) [NEV4.7M100BA](#) [NEV47M16BA](#) [NEV47M50CB-BULK](#) [NEVH1.0M350AB](#) [NEVH2.2M160AB](#) [NEVH3.3M350BC](#)
[TER330M50GM](#) [477KXM035MGBWSA](#)