

Messrs. ALMAR ENTERPRISES CO., LTD.

ALUMINUM ELECTROLYTIC CAPACITORS SPECIFICATION SHEET

Halogen Free

CUSTOMER PART No.		
Rubycon PART No.	YXM SERIES (Option Code : MBL)	
DRAWING No.	REE – 113085	ISSUE No. 3
ISSUE DATE	8 June 2015	



RUBYCON CORPORATION
ENGINEERING DIVISION

1938-1, NISHIMINOWA, INA-SHI, NAGANO-KEN, JAPAN

TEL No. 0265-72-7116

FAX No. 0265-73-3380

DESIGN	YUICHI KOBAYASHI
	<i>Yuichi Kobayashi</i>
CHECK	TAKESHI KOBAYASHI
	<i>T. Kobayashi</i>
APPROVAL	HIROKAZU KOUMURA
	<i>H. Koumura</i>

REVISIONS					
ISSUE No.	REVISION MARK	DATE	DESCRIPTION	CH.	APP.
2		10 Dec.2014	<ul style="list-style-type: none"> • Added Halogen Free. 	T.K	H.K
3		8 June 2015	<ul style="list-style-type: none"> • Added below item. 10V to 16V all item, 25V 33μF 5X11,35V all item, 50V 1 to 4.7μF 5X11, 63V to 100V all item. • Added Taping (Code : T1). 	T.K	H.K
YXM SERIES		<i>Rubycon</i> RUBYCON CORPORATION		1st. ISSUE	18 April 2013
				DRAWING No.	REE-113085

1. Scope.

This specification covers polarized aluminum electrolytic capacitors with non-solid electrolyte for use in electronic equipments .

2. Reference Standard

JIS C 5141 (1991) and JIS C 5102 (1994) methods for testing.

3. Operating Temperature Range

-40°C to +105°C

4. Performance

Refer to Table-1

5. Style and Numbering System

(1) Style CE 04 (Radial Leaded)


(2) Numbering System	Rated Voltage	Series	Nominal Capacitance	Tolerance	Option Code	Lead Forming	Case size
	□□□	<u>YXM</u>	□□□	<u>M</u>	<u>MBL</u>	□□	□□□X□□□

6. Marking

Unless otherwise specified, capacitor shall be clearly marked the following items on its body.

Sleeve color: Black

Lettering color: White

(1) Trade mark	Rubycon
(2) Rated Voltage	V
(3) Nominal Capacitance	μF
(4) Polarity	 (Negative Polarity)
(5) Series	YXM
(6) Date code	
(7) Maximum Operating Temperature	105°C
(8) PET sleeve mark	PET

7. Vent

On capacitors whose diameter is 6.3mm and greater, a safety vent shall be provided.

8. Notes on use of aluminum electrolytic capacitors

(1) Charge and discharge

Do not use for the circuit that repeats quick charge or discharge.

(2) External stress

Do not apply excessive force of pushing, pulling bending, and/or twisting to the main body, lead wire and terminals.

(3) Heat resistance at soldering process

In the soldering process of PC board with Capacitors mounted, secondary shrinkage or crack of sleeve may be observed when soldering temperature is too high and /or soldering time is too long.

If lead wire of other components or pattern of double sided PC board touches the capacitor, the similar failure may be also originated at pre-heating, heating at hardening process of adhesive and soldering process.

(4) Insulation and PC board mounting

Sleeve is for marking purpose only.

It is not recognized as insulation materials.

When double sided PC board is employed, note that it could cause a short circuit if lead wire of other components or pattern of double sided PC board touches capacitor. Please avoid circuit pattern runs underneath capacitor.

In addition, case and cathode terminal are not insulated.

(5) Adhesives and coating materials

Do not use the adhesives and coating materials that contain halogenated organic solvents or chloroprene as polymer.

(6) Storage

Keep at a normal temperature and humidity. During a long storage time, leakage current will be increased. To prevent heat rise or any trouble that high leakage current possibly causes, voltage treatment is recommended for the capacitors that have been stored for a long time.

<Storage Condition>

*Aluminum electrolytic capacitors should not be stored in high temperatures or where there is a high level of humidity. The suitable storage condition is 5°C-35°C and less than 75% in relative humidity.

*Aluminum electrolytic capacitors should not be stored in damp conditions such as water, saltwater spray or oil spray.

*Do not store aluminum electrolytic capacitors in an environment full of hazardous gas (hydrogen sulfide, sulfurous acid gas, nitrous acid, chlorine gas, ammonia or bromine gas).

*Aluminum electrolytic capacitors should not be stored under exposure to ozone, ultraviolet rays or radiation.

(7) Fumigation and halogenated flame retardant

It may cause corrosion of internal electrodes, aluminum cases and terminal surface when the following conditions exist.

*Fumigation of wooden pallets before shipment to disinfect vermin.

*Existence of components or parts that contain halogenated flame retardant agent (bromine etc.) together with capacitors.

*When halogenated detergents of antiseptics for preventing infection of epidemic diseases contact directly to capacitors.

(8) PC board cleaning after soldering

Please consult us when cleaning is subjected.

◆ Guide to application except the above are described in our catalog and EIAJ RCR-2367C.

EIAJ RCR-2367C: "Safety Application Guide for fixed aluminum electrolytic capacitors for use in electronic equipment."

Published by Japan Electronics and Information Technology Industries Association.

◆ Table-1 PERFORMANCE

ITEMS		PERFORMANCE							
1	Rated Voltage(WV) Surge Voltage (SV)	WV(V.DC)	10	16	25	35	50	63	100
		SV(V.DC)	13	20	32	44	63	79	125
2	Nominal Capacitance (Capacitance Tolerance)	<Criteria> 1 to 330 μ F(\pm 20%) <Condition> Measuring Frequency : 120Hz \pm 20% Measuring Voltage : Not more than 0.5Vrms + 1.5 to 2.0V.DC Measuring Temperature : 20 \pm 2 $^{\circ}$ C							
3	Leakage Current	<Condition> The rated voltage shall be applied between terminals of capacitor such that the terminal voltage will reach the rated voltage within one minute and the leakage current shall be measured at following time after the voltage has reached the rated voltage across a 1000 \pm 10 Ω series protection resistor. Then the current value shall not exceed value calculated from following formula. <Criteria> $I=0.01CV$ or 3 μ A whichever is greater where I : Leakage current in μ A. C : Nominal capacitance in μ F. V : Rated voltage in V.DC.							
4	Dissipation Factor (tan δ :Tangent of loss angle)	WV(V.DC)	10	16	25	35	50	63	100
		tan δ	0.45	0.35	0.30	0.22	0.19	0.17	0.15
		<Condition> See ITEM 2, Nominal Capacitance, for measuring frequency, voltage and temperature.							
5	Terminal Strength	<Condition> Tensile Strength of Terminals The body of capacitor shall be fixed and the tensile force of following table shall be applied to the terminal in lead out direction of the terminal for 10 \pm 1 seconds. Bending Strength of Terminals The body of capacitor shall be held in such a way that the regular lead-out axis of lead wire terminal becomes vertical. The weight of following table shall be suspended from the end of terminal. In this condition, after the body of sample is bent through 90 degrees, it shall be returned to the original position. Next the body shall be reversibly bent through 90 degrees and again returned to the original position.							
		Diameter of lead wire		Tensile force N{kgf}		Bending force N{kgf}			
		0.5mm and less		5{0.51}		2.5{0.25}			
		Over 0.5mm to 0.8mm incl		10{1.0}		5 {0.51}			
		<Criteria> Notable changes shall not be found, as breakage or looseness in the terminal.							

6 Temperature Coefficient and Drift

<Condition>

STEP	Testing Temperature (°C)	Time
1	20±2	Time to reach thermal equilibrium
2	-25±3	//
3	20±2	//
4	105±2	2 hrs.
5	20±2	Time to reach thermal equilibrium

Capacitance, D.F. and Impedance shall be measured at 120Hz.

<Criteria>

STEP 2	Impedance Ratio	The value of ratio to STEP 1 not more than value of following table.
STEP 4	Capacitance Change	Within ±25% of the value of STEP 1
	Dissipation Factor	Not more than the specified value
	Leakage Current	Not more than 8 times the specified value
STEP 5	Capacitance Change	Within ±10% of the value of STEP 1
	Dissipation Factor	Not more than the specified value

WV(V.DC)	10	16	25	35	50	63	100
Z(-25°C)/Z(+20°C)	8	6	4	4	3	3	3

7 Load Life Test

<Condition>

Capacitor under the test shall be applied the rated voltage continuously through 1000 Ω series protective resistor (with maximum ripple current) at 105±2°C for 10000⁺⁷²₀ hours. After the test and returned in standard condition for 1 to 2 hours, and the capacitor shall meet following requirements.

<Criteria>

Leakage Current	Not more than the specified value
Capacitance Change	Within ±25% of the initial value
Dissipation Factor	Not more than 300% of the specified value
Appearance	Notable changes shall not be found, except sleeve

8 Shelf Life Test

<Condition>

Capacitors shall be stored at 105±2°C with no voltage applied for 1000⁺⁴⁸₀ hours. After the test and returned in standard condition for 1 to 2 hours and the capacitor shall meet following requirements. (If any doubt arises on the judgment, the capacitors shall be subjected to voltage treatment specified in JIS C 5141,5.2.)

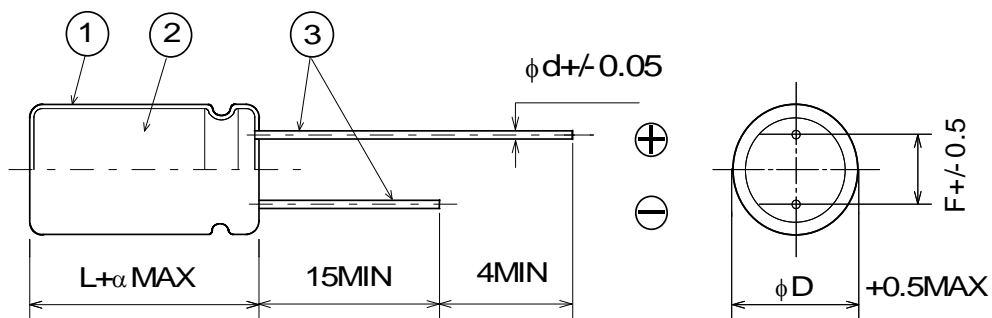
<Criteria>

Leakage Current	Not more than the specified value
Capacitance Change	Within ±25% of the initial value
Dissipation Factor	Not more than 200% of the specified value
Appearance	Notable changes shall not be found

9	Surge Voltage	<p><Condition> Capacitor shall be applied the surge voltage through a $(100\pm 50)/C_R$ [kΩ] resistor in series for 30 ± 5 seconds in every 6 ± 0.5 minutes at 15 to 35°C. Procedure shall be repeated 1000 times. Then the capacitors shall be left under normal humidity for 1 to 2 hours before measurement. [C_R : Nominal Capacitance (μF)]</p> <p><Criteria></p> <table border="1" data-bbox="533 479 1442 629"> <tr> <td>Leakage Current</td> <td>Not more than the specified value</td> </tr> <tr> <td>Capacitance Change</td> <td>Within ±15% of the initial value</td> </tr> <tr> <td>Dissipation Factor</td> <td>Not more than the specified value</td> </tr> <tr> <td>Appearance</td> <td>Notable changes shall not be found</td> </tr> </table> <p>◇This test simulates overvoltage at abnormal situations, and not be hypothesizing that overvoltage is always applied.</p>	Leakage Current	Not more than the specified value	Capacitance Change	Within ±15% of the initial value	Dissipation Factor	Not more than the specified value	Appearance	Notable changes shall not be found				
Leakage Current	Not more than the specified value													
Capacitance Change	Within ±15% of the initial value													
Dissipation Factor	Not more than the specified value													
Appearance	Notable changes shall not be found													
10	Vibration Test	<p><Condition> Testing shall be done out in 3 AXIS for 2 hours each (total 6 hours) as below. Fix lead wire at a point not more than 4mm from the body , use mounting device separately for the one with a diameter 12.5mm and greater or with a length 25mm and longer.</p> <table border="1" data-bbox="533 842 1161 931"> <tr> <td>Vibration frequency range</td> <td>: 10 to 55Hz</td> </tr> <tr> <td>Peak to peak amplitude</td> <td>: 1.5mm</td> </tr> <tr> <td>Sweep rate</td> <td>: 10 to 55 to 10Hz, In about 1min.</td> </tr> </table> <p><Criteria></p> <table border="1" data-bbox="533 976 1267 1151"> <tr> <td>Capacitance (During test)</td> <td>Measured value shall be stable. (The time from one end to the other of the vibration frequency within last 30 minutes at last direction.)</td> </tr> <tr> <td>Capacitance Change</td> <td>Within ±5% of the initial value</td> </tr> <tr> <td>Appearance</td> <td>Notable changes shall not be found</td> </tr> </table>	Vibration frequency range	: 10 to 55Hz	Peak to peak amplitude	: 1.5mm	Sweep rate	: 10 to 55 to 10Hz, In about 1min.	Capacitance (During test)	Measured value shall be stable. (The time from one end to the other of the vibration frequency within last 30 minutes at last direction.)	Capacitance Change	Within ±5% of the initial value	Appearance	Notable changes shall not be found
Vibration frequency range	: 10 to 55Hz													
Peak to peak amplitude	: 1.5mm													
Sweep rate	: 10 to 55 to 10Hz, In about 1min.													
Capacitance (During test)	Measured value shall be stable. (The time from one end to the other of the vibration frequency within last 30 minutes at last direction.)													
Capacitance Change	Within ±5% of the initial value													
Appearance	Notable changes shall not be found													
11	Solderability	<p><Condition> Terminals of the capacitor shall be immersed in flux (ethanol solution of the rosin, 25 wt% rosin) for 5 to 10 seconds and shall be immersed in the solder bath (235±5°C) and held for 2±0.5 seconds, and pulled out at the same speed.</p> <p><Criteria> At least 3/4 of circumferential surface of dipped portion of the terminal shall be covered with new solder.</p>												
12	Resistance to Solder Heat	<p><Condition> Terminals of the capacitor shall be immersed into solder bath at 260±5°C for 10±1 seconds up to 1.5 to 2.0mm from the body of capacitor. Then the capacitors shall be left under the normal temperature and normal humidity for 1 to 2 hours before measurement.</p> <p><Criteria></p> <table border="1" data-bbox="533 1621 1442 1771"> <tr> <td>Leakage Current</td> <td>Not more than the specified value</td> </tr> <tr> <td>Capacitance Change</td> <td>Within ±10% of the initial value</td> </tr> <tr> <td>Dissipation Factor</td> <td>Not more than the specified value</td> </tr> <tr> <td>Appearance</td> <td>Notable changes shall not be found</td> </tr> </table>	Leakage Current	Not more than the specified value	Capacitance Change	Within ±10% of the initial value	Dissipation Factor	Not more than the specified value	Appearance	Notable changes shall not be found				
Leakage Current	Not more than the specified value													
Capacitance Change	Within ±10% of the initial value													
Dissipation Factor	Not more than the specified value													
Appearance	Notable changes shall not be found													

<p>13 Resistance to Damp Heat (Steady State)</p>	<p><Condition> Capacitor shall be stored in the ambient of 40±2°C and relative humidity 90 to 95% for 240±8 hours. Then the capacitors shall be left under the normal temperature and normal humidity for 1 to 2 hours before measurement.</p> <p><Criteria></p> <table border="1"> <tr> <td>Leakage Current</td> <td>Not more than the specified value</td> </tr> <tr> <td>Capacitance Change</td> <td>Within ±15% of the initial value</td> </tr> <tr> <td>Dissipation Factor</td> <td>Not more than the specified value</td> </tr> <tr> <td>Appearance</td> <td>Notable changes shall not be found</td> </tr> </table>	Leakage Current	Not more than the specified value	Capacitance Change	Within ±15% of the initial value	Dissipation Factor	Not more than the specified value	Appearance	Notable changes shall not be found																									
Leakage Current	Not more than the specified value																																	
Capacitance Change	Within ±15% of the initial value																																	
Dissipation Factor	Not more than the specified value																																	
Appearance	Notable changes shall not be found																																	
<p>14 Maximum Permissible Ripple Current</p>	<p>(1)The maximum permissible ripple current is the maximum A.C. current at 100kHz and can be applied at maximum operating temperature. (2)The combined value of D.C. voltage and the peak A.C. voltage shall not exceed the rated voltage and shall not be reverse voltage.</p> <p><Frequency Coefficient></p> <table border="1"> <tr> <td>Frequency(Hz)</td> <td>120</td> <td>1k</td> <td>10k</td> <td>100k≤</td> </tr> <tr> <td>Capacitance(μF)</td> <td></td> <td></td> <td></td> <td></td> </tr> <tr> <td>1 to 10</td> <td>0.42</td> <td>0.60</td> <td>0.80</td> <td>1.00</td> </tr> <tr> <td>22 to 33</td> <td>0.55</td> <td>0.75</td> <td>0.90</td> <td>1.00</td> </tr> <tr> <td>47 to 330</td> <td>0.70</td> <td>0.85</td> <td>0.95</td> <td>1.00</td> </tr> </table> <p>< Temperature Coefficient ></p> <table border="1"> <tr> <td>Ambient Temperature(°C)</td> <td>105</td> <td>85</td> <td>65≥</td> </tr> <tr> <td>Coefficient</td> <td>1.0</td> <td>1.7</td> <td>2.1</td> </tr> </table> <p>◇Temperature coefficient shows a limit of ripple current exceeding the rated ripple current that can be passed through a capacitor at each temperature when the life expectancy of a capacitor becomes to be nearly equal with the lifetime at the rated maximum operating temperature. ◇Use of aluminum electrolytic capacitor under ripple current with wide amplitude is equivalent to quick charge-discharge operation. When ripple voltage with the amplitude over 70Vp-p is expected for the products with rated voltage over 100V, please contact us.</p>	Frequency(Hz)	120	1k	10k	100k≤	Capacitance(μF)					1 to 10	0.42	0.60	0.80	1.00	22 to 33	0.55	0.75	0.90	1.00	47 to 330	0.70	0.85	0.95	1.00	Ambient Temperature(°C)	105	85	65≥	Coefficient	1.0	1.7	2.1
Frequency(Hz)	120	1k	10k	100k≤																														
Capacitance(μF)																																		
1 to 10	0.42	0.60	0.80	1.00																														
22 to 33	0.55	0.75	0.90	1.00																														
47 to 330	0.70	0.85	0.95	1.00																														
Ambient Temperature(°C)	105	85	65≥																															
Coefficient	1.0	1.7	2.1																															

9. Diagram of dimensions. : unit mm



◆Table-2

ϕD	5	6.3	8
F	2.0	2.5	3.5
ϕd	0.5	0.5	0.6
α	1.5		

◆Table-3

①	Sleeve	P.E.T.
②	Case	Aluminum
③	Lead Wire	Tin plated

◆Table-4 Standard size, Maximum permissible ripple current and Impedance

Rated voltage 10V		
Nominal capacitance (μF)	Size φDxL(mm)	Ripple Current (mA r.m.s./105°C,100kHz)
100	5X11	130
220	6.3X11	210
330	8X11.5	330

Rated voltage 16V		
Nominal capacitance (μF)	Size φDxL(mm)	Ripple Current (mA r.m.s./105°C,100kHz)
47	5X11	130
100	6.3X11	210
220	8X11.5	330

Rated voltage 25V		
Nominal capacitance (μF)	Size φDxL(mm)	Ripple Current (mA r.m.s./105°C,100kHz)
33	5X11	130
47	5X11	130
100	6.3X11	210

Rated voltage 35V		
Nominal capacitance (μF)	Size φDxL(mm)	Ripple Current (mA r.m.s./105°C,100kHz)
33	5X11	130
47	6.3X11	210
100	8X11.5	330

Rated voltage 50V		
Nominal capacitance (μF)	Size φDxL(mm)	Ripple Current (mA r.m.s./105°C,100kHz)
1	5X11	25
2.2	5X11	35
3.3	5X11	70
4.7	5X11	80
10	5X11	90
22	5X11	135
33	6.3X11	190
47	6.3X11	190
100	8X11.5	270

Rated voltage 63V		
Nominal capacitance (μF)	Size φDxL(mm)	Ripple Current (mA r.m.s./105°C,100kHz)
10	5X11	80
22	6.3X11	170
33	6.3X11	170
47	8X11.5	240

Rated voltage 100V		
Nominal capacitance (μF)	Size φDxL(mm)	Ripple Current (mA r.m.s./105°C,100kHz)
1	5X11	40
2.2	5X11	50
3.3	5X11	60
4.7	5X11	70
10	6.3X11	150
22	8X11.5	230

•TAPING SPECIFICATION OF RADIAL LEAD TYPE ALUMINUM ELECTROLYTIC CAPACITORS

1.Scope

This specification covers taped radial lead type electrolytic capacitors, with case dia of $\phi 5 \sim 6.3$ mm.

2.Requirements.

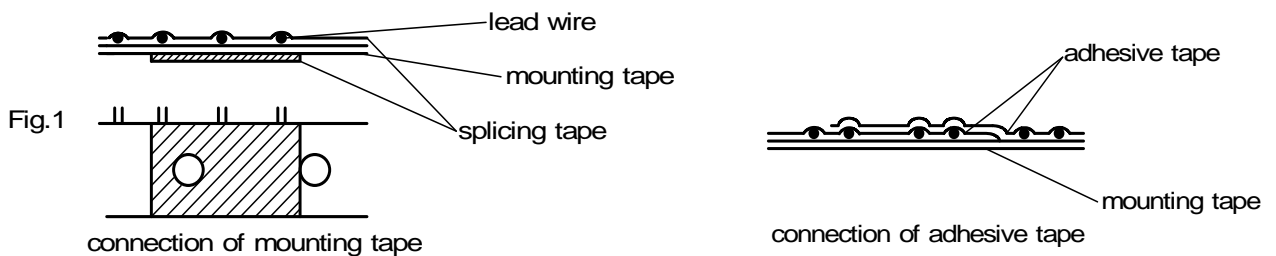
2-1. Body tape requirements are shown in 10/9, 10/10 page.

2-2. All polarized capacitors must be oriented in one direction.

2-3. Leader tape shall be provided before the first capacitor and after the last one on tape at minimum length of 3 feed holes.

2-4 Maximum of 3 consecutive missing capacitors are permitted while one pack quantity meets the specification in para.4.

2-5. Mounting tape shall be spliced as shown in Fig.1. Mounting tape shall not be over lapped.



2-6. Defective capacitors shall be pulled out or clipped from the mounting tape.

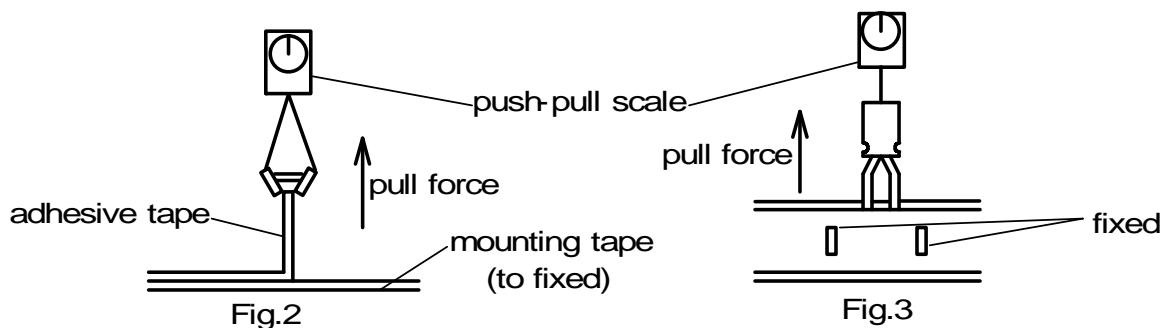
Remaining protrusion of the leads shall not exceed 2mm from edge of the tape, when clipped.

3. Adhesion test of mounting tape

3-1. Adhesive tape on the mounting tape shall not a tear off at the force of less than 3N {0.3kgf} when tested in a manner shown in Fig.2.

3-2. Capacitors shall not be pulled out of the tape with a following load applied to the capacitor body in a manner shown in Fig.3.

Dia $\leq \phi$ 8mm 10N {1.0kgf}
Dia $\geq \phi$ 10mm 5N {0.5kgf}



4.Package

Taped capacitors shall be packed in a carton shown in Fig.4, with tape ammunition.

Packed cartons shall be marked at least polarity, rated voltage, nominal capacitance and quantity.

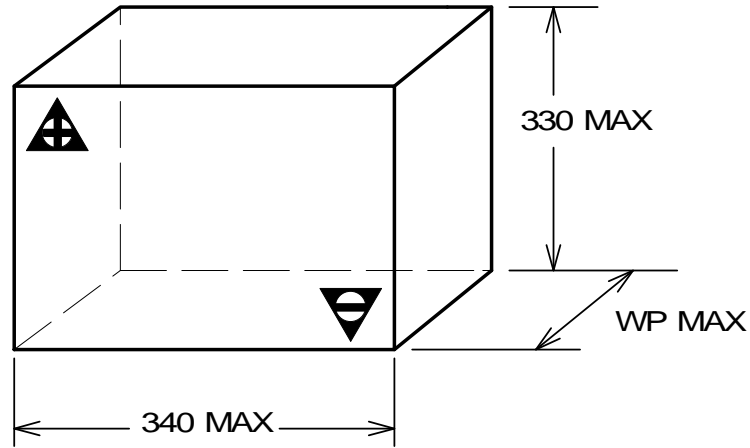


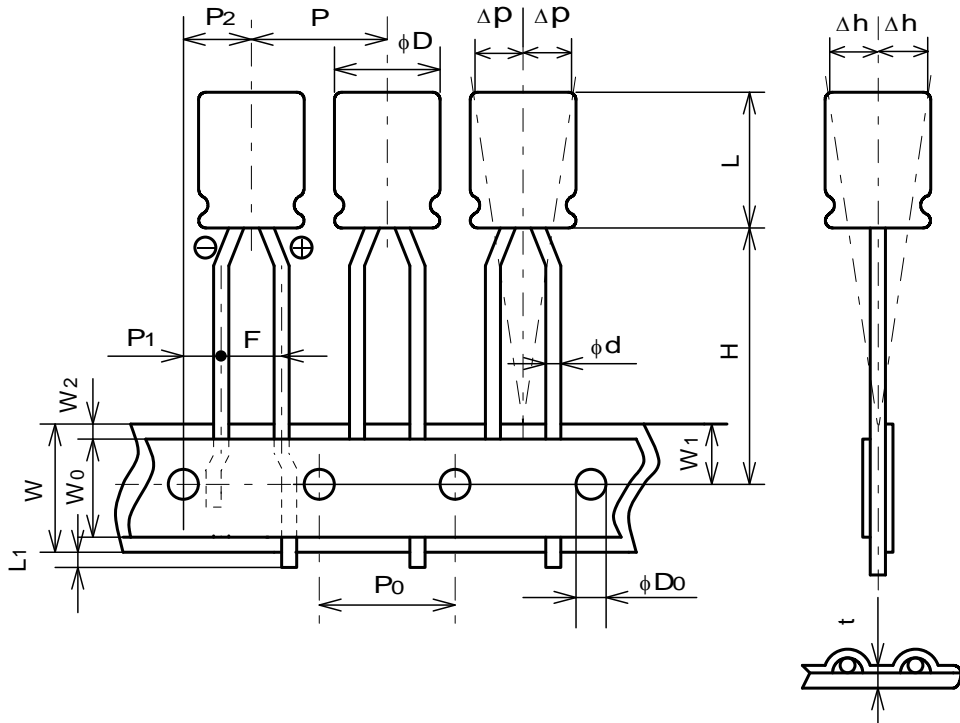
Fig.4

STANDARD PACKING QUANTITY

CASE DIA	QUANTITY	WP(mm)
5X11	2000	54
6.3X11	2000	54

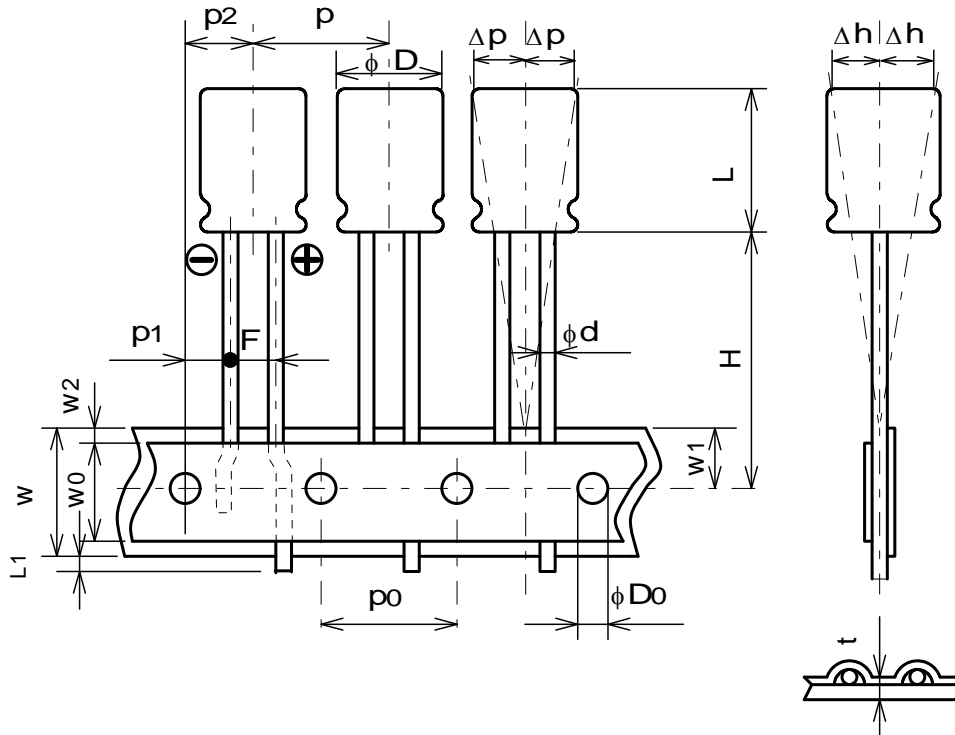
CODE : T1 (Positive leading)

LEAD TYPE (DIA. $\phi 5$)



Symbol	Case Dia ϕ mm		Remarks
	$\phi 5$		
ϕd	0.5	± 0.05	Dia of lead
L	12.5	MAX	Height of body
P	12.7	± 1.0	Distance from center to center of body
P_0	12.7	± 0.2	Distance from center to center of driving hole
P_1	5.1	± 0.5	Distance between center of driving hole and lead
P_2	6.35	± 1.0	Distance between center of driving hole and body
F	2.5	$^{+0.8}_{-0.2}$	Lead spacing
W	18.0	± 0.3	Width of mounting tape
W_0	5.0	MIN	Width of adhesive tape
W_1	9.0	± 0.5	Distance between center of driving hole and edge of mounting tape
W_2	1.5	MAX	Max. allowable distance between mount and adhesive tape side
H	18.5	± 0.75	Distance between center of driving hole and bottom of body
L_1	0.5	MAX	Protrusion of lead
ϕD_0	4.0	± 0.2	Dia. of driving hole
Δh	1.0	MAX	Off alignment of body
Δp	1.0	MAX	Off alignment of body
t	0.6	± 0.3	Sum of thickness for mounting and adhesive tape without lead dia.

CODE : T1 (Positive leading)

LEAD TYPE (DIA. $\phi 6.3$)

Symbol	Case Dia ϕ mm		Remarks
	$\phi 6.3$		
ϕd	0.5	± 0.05	Dia of lead
L	12.5	MAX	Height of body
P	12.7	± 1.0	Distance from center to center of body
P ₀	12.7	± 0.2	Distance from center to center of driving hole
P ₁	5.1	± 0.5	Distance between center of driving hole and lead
P ₂	6.35	± 1.0	Distance between center of driving hole and body
F	2.5	$^{+0.8}_{-0.2}$	Lead spacing
W	18.0	± 0.3	Width of mounting tape
W ₀	5.0	MIN	Width of adhesive tape
W ₁	9.0	± 0.5	Distance between center of driving hole and edge of mounting tape
W ₂	1.5	MAX	Max. allowable distance between mount and adhesive tape side
H	18.5	± 0.75	Distance between center of driving hole and bottom of body
L ₁	0.5	MAX	Protrusion of lead
ϕD_0	4.0	± 0.2	Dia. of driving hole
Δh	1.0	MAX	Off alignment of body
Δp	1.0	MAX	Off alignment of body
t	0.6	± 0.3	Sum of thickness for mounting and adhesive tape without lead dia.

YXM SERIES

Rubycon
RUBYCON CORPORATION

X-ON Electronics

Largest Supplier of Electrical and Electronic Components

Click to view similar products for [Aluminium Electrolytic Capacitors - Radial Leaded](#) category:

Click to view products by [Rubycon](#) manufacturer:

Other Similar products are found below :

[LXY50VB4.7M-5X11](#) [RFO-100V471MJ7P#](#) [ECE-A1EGE220](#) [B41041A7226M8](#) [B41044A7157M6](#) [NCD681K10KVY5PF](#)

[NEV1000M25EF-BULK](#) [NEV100M35DC](#) [NEV100M63DE](#) [NEV220M25DD-BULK](#) [NEV.33M100AA](#) [NEV4700M50HB](#) [NEV.47M100AA](#)

[NEVH1.0M250AB](#) [NEVH3.3M250BB](#) [NEVH3.3M450CC](#) [KME50VB100M-8X11.5](#) [SG220M1CSA-0407](#) [ES5107M016AE1DA](#)

[ESMG160ETD102MJ16S](#) [ESX472M16B](#) [227RZS050M](#) [476CKH100MSA](#) [477RZS050M](#) [B41793A9108Q1](#) [UVX1V101KPA1FA](#)

[UVX1V222MHA1CA](#) [KME25VB100M-6.3X11](#) [VTL100S10](#) [VTL470S10](#) [VTL470S16A](#) [511D336M250EK5D](#) [052687X](#) [ECE-A1CF471](#)

[NRE-S560M16V6.3X7TBSTF](#) [RGA221M1CTA-0611G](#) [ERZA630VHN182UP54N](#) [UPL1A331MPH](#) [NEV1000M6.3DE](#) [NEV100M16CB](#)

[NEV100M50DD-BULK](#) [NEV2200M16FF](#) [NEV220M50EE](#) [NEV2.2M50AA](#) [NEV330M63EF](#) [NEV4700M35HI](#) [NEV4.7M100BA](#)

[NEV47M16BA](#) [NEV47M50CB-BULK](#) [NEVH1.0M350AB](#)